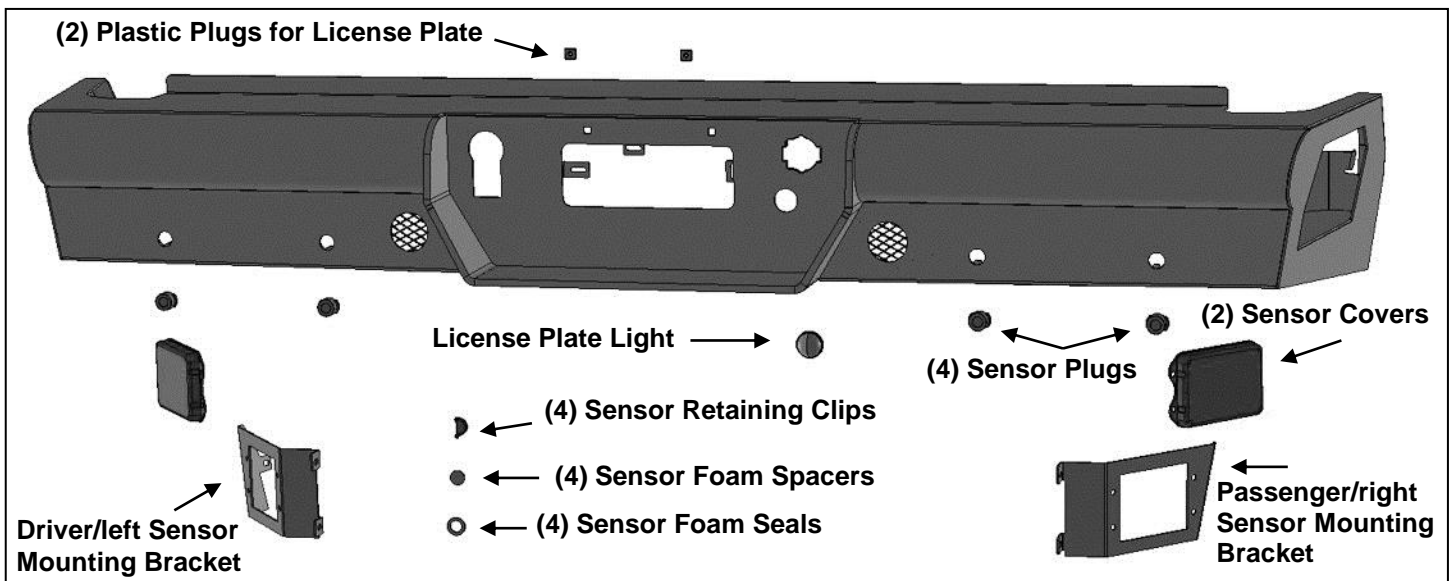


**HD REPLACEMENT REAR BUMPER
2019-20 1500, 2020 25-3500 SILVERADO**

PARTS LIST:

1	HD Rear Bumper	4	12-1.75mm x 40mm Hex Bolts
1	Driver/left Sensor Cover Bracket	8	12mm x 37mm x 3mm Flat Washers
1	Passenger/right Sensor Cover Bracket	4	12mm Nylon Lock Nuts
2	Plastic Sensor Covers	8	6-1.0mm x 20mm Button Head Bolts
4	Sensor Foam Front Seal Washers	10	6mm x 20mm Hex Bolts
4	Sensor Foam Spacers	28	6mm x 18mm x 1.6mm Flat Washers
4	Sensor Retaining Clips	18	6mm Lock Washers
4	Sensor Rubber Plugs	18	6mm Hex Nuts
1	Sensor Cover Kit	8	4-0.75mm x 10mm Button Head Bolts
2	Plastic Plugs for License Plate	1	4mm Allen wrench
1	License Plate Light	1	2.5mm Allen Wrench



PROCEDURE:

REMOVE CONTENTS FROM BOX. VERIFY ALL PARTS ARE PRESENT. READ INSTRUCTIONS CAREFULLY BEFORE STARTING INSTALLATION. ASSISTANCE IS HIGHLY RECOMMENDED TO AVOID POSSIBLE INJURY OR DAMAGE TO THE VEHICLE.

1. Remove the license plate and the (2) factory bolts behind the license plate, **(Figure 1)**.
2. Unplug all wiring harnesses leading to the bumper, **(Figure 2)**. Unplug the trailer plug, **(Figure 3)**.
3. Place blocks or jack stands under the bumper to support it during mounting bolt removal. Assistance is highly recommended to remove the bumper. Starting on the passenger/right side, remove the factory bolt attaching the side of the bumper to the bumper support bracket, **(Figure 4)**. Remove the (2) factory flange nuts attaching the bumper to the frame, **(Figure 5)**. Repeat this **Step** to remove the factory hardware on the driver/left side. With assistance, pull bumper straight out from vehicle.
4. Move the OE rear bumper to stable surface. Unplug and remove the sensors, wiring harness, trailer plug, license lights, remote antenna with TPMS assembly bracket & the spare tire access lock, as equipped, from the bumper, **(Figures 6—8)**.
5. Determine if the vehicle is equipped with parking sensors, cross traffic sensors and remote antenna:

Models without bumper parking sensors:

 - a. Select the included (4) Rubber Plugs.
 - b. From behind bumper, push plugs into sensor mounting holes, **(Figure 9)**. Use the included 4mm Screws to lock the Plug in the sensor mount (optional).

Models with bumper mounted parking sensors:

 - a. Remove the silicone seal from the end of the sensor. Slide the included Foam Washer over front of sensor, **(Figure 10)**.
 - b. Attach (1) Foam Spacer to (1) Retaining Clip, **(Figure 11)**.

**HD REPLACEMENT REAR BUMPER
2019-20 1500, 2020 25-3500 SILVERADO**

- c. Slide the sensor into the sensor mount on the back of the Bumper. Push and lock the Retaining Clip into the holes in the sensor mount, **(Figure 11)**.
- d. Repeat the above steps for each remaining parking sensor.

Models with Tire Pressure Monitoring System (TPMS):

- a. Select the factory remote antenna with TPMS assembly, **(Figure 12)**.
- b. Push the (3) clips on the TPMS assembly into the slots in the mounting tabs, **(Figure 13)**.

Models without cross traffic sensors:

- a. Select the driver/left Cover Mounting Bracket. Insert the Bracket into the pocket in the driver/left end of the Bumper, **(Figure 14)**.
- b. Select (1) Plastic Cover. Attach the Cover to the outside of the Bracket with the included (4) 6mm x 20mm Button Head Bolts, (4) 6mm Flat Washers, (4) 6mm Lock Washers and (4) 6mm Hex Nuts, **(Figure 15)**.
- c. Attach Bracket with Cover to the pocket with the included (3) 6mm x 20mm Hex Bolts, (6) 6mm Flat Washers, (3) 6mm Lock Washers and (3) 6mm Hex Nuts, **(Figure 17)**.
- d. Repeat to install the Bracket with Plastic Cover on the passenger/right side of the Bumper.

Models with cross traffic sensors

- a. Select the driver/left Cover Mounting Bracket. Insert the Bracket into the pocket in the driver/left end of the Bumper, **(Figure 14)**.
 - b. Select (1) Plastic Cover. Attach the cover to the outside of the Bracket with the included (4) 6mm x 20mm Button Head Bolts, (4) 6mm Flat Washers, (4) 6mm Lock Washers and (4) 6mm Hex Nuts, **(Figure 15)**. Slide the Bracket with Cover to the rear of the pocket to provide room to install sensor.
 - c. Insert the driver/left sensor into the forward end of the pocket, **(Figure 16)**. Attach the sensor to the mounting locations on the pocket with (2) 6mm x 20mm Hex Bolts, (4) 6mm Flat Washers, (2) 6mm Lock Washers and (2) 6mm Hex Nuts, **(Figure 16)**.
 - d. Slide the Bracket with Cover forward in the pocket and in front of the sensor. Attach the Bracket with Cover to the mounting locations on the pocket with the included (3) 6mm x 20mm Hex Bolts, (6) 6mm Flat Washers, (3) 6mm Lock Washers and (3) 6mm Hex Nuts, **(Figure 17)**.
 - e. Repeat the previous Steps to to install the Bracket with Plastic Cover and sensor on the passenger/right side of the Bumper.
- 6. Push the included License Plate Light and (2) Plastic Plugs into the holes in the bumper, **(Figure 18)**.
 - 7. Snap the trailer plug & spare tire access lock into the openings in the Rear Bumper, **(Figure 18)**.
 - 8. Install the factory harness into the back of the Bumper. **NOTE:** Run the wire harness over the light mounting tabs on the back of the Bumper to avoid any interference with the exhaust. Plug the sensors, license light & remote antenna with TPMS assembly into the harness. **NOTE:** If necessary, cut the electrical tape on the wire harness to extend the reach to sensors. Reapply housing around harness.
 - 9. Remove the (2) bumper support brackets from the frame, **(Figure 19)**.
 - 10. Temporarily support the weight of the Bumper. **WARNING:** To avoid possible injury or damage to the vehicle, do not proceed until the Bumper is fully and safely supported. With assistance, position the Bumper Assembly up to the frame.
 - 11. Determine the model of the vehicle.

1500 models:

Use the **OUTER SLOTS** in the bumper mounting bracket on the back of the Bumper to attach the Bumper to the end of the frame with (4) 12mm x 40mm Hex Bolts, (8) 12mm Flat Washers and (4) 12mm Nylon Lock Nuts, **(Figure 20)**.

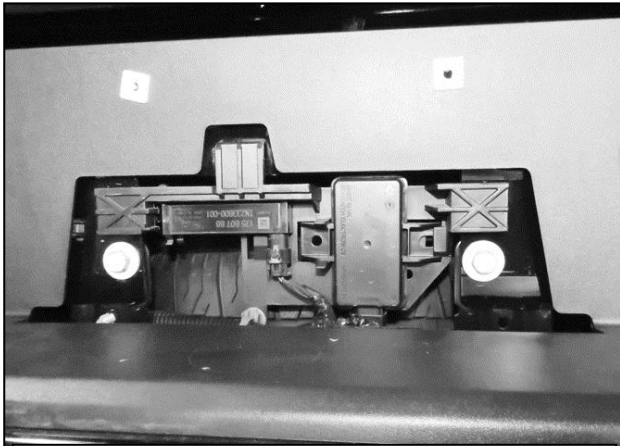
25-3500 models:

Use the **INNER SLOTS** in the bumper mounting bracket on the back of the Bumper to attach the Bumper to the end of the frame with (4) 12mm x 40mm Hex Bolts, (8) 12mm Flat Washers and (4) 12mm Nylon Lock Nuts, **(Figure 21)**.

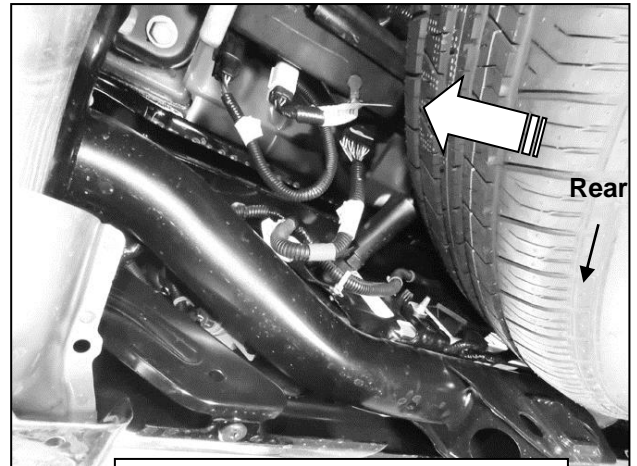
- 12. Level and adjust the bumper and fully tighten all hardware. Slowly open tailgate and check for clearance. Adjust as necessary.
- 13. Plug the all wire harnesses & trailer plug into the vehicle harness, **(Figure 22)**.
- 14. Do periodic inspections to the installation to make sure that all hardware is secure and tight.

HD REPLACEMENT REAR BUMPER 2019-20 1500, 2020 25-3500 SILVERADO

To protect your investment, Do not use any type of polish or wax that may contain abrasives that could damage the finish. Mild soap may be used to clean the Bumper assembly.



(Fig 1) Remove the license plate. Remove the (2) factory bolts from behind the license plate



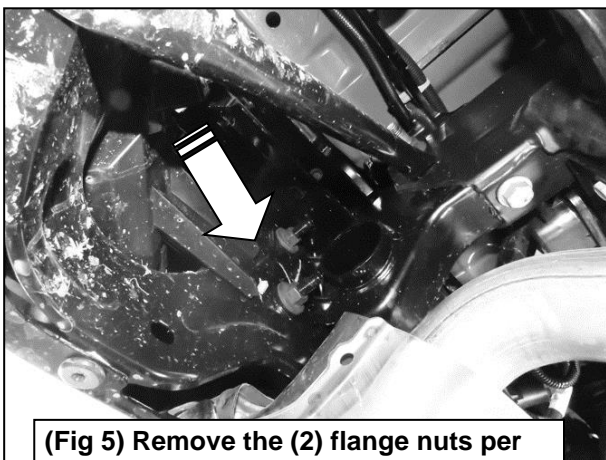
(Fig 2) Unplug the wire harnesses leading to the Bumper



(Fig 3) Unplug the trailer plug (arrow)



(Fig 4) Remove the bolts attaching the outer bumper supports to the bottom of the bumper (arrow)

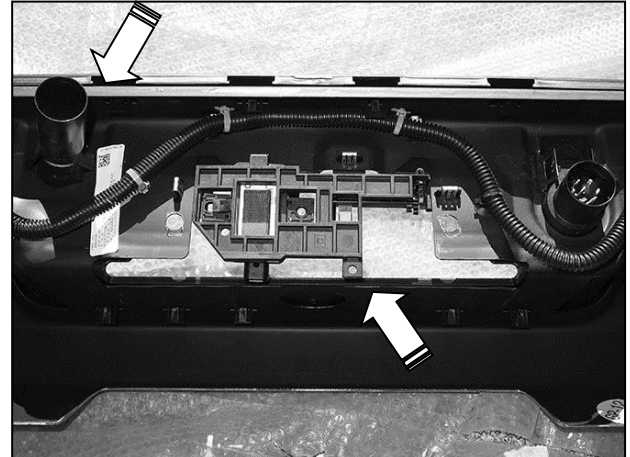


(Fig 5) Remove the (2) flange nuts per side attaching the bumper to the frame

**HD REPLACEMENT REAR BUMPER
2019-20 1500, 2020 25-3500 SILVERADO**



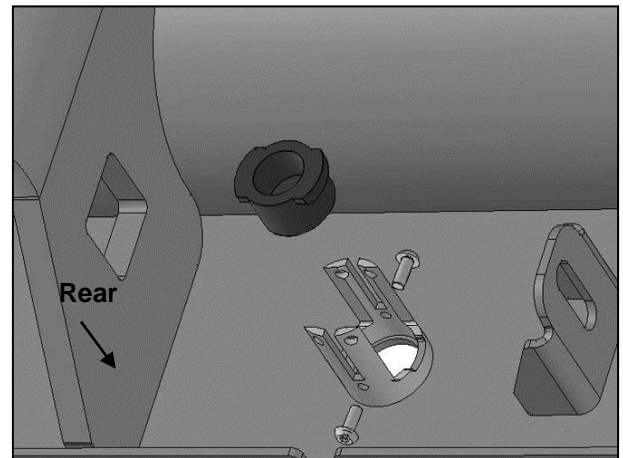
(Fig 6) Remove trailer plug and unplug license plate light



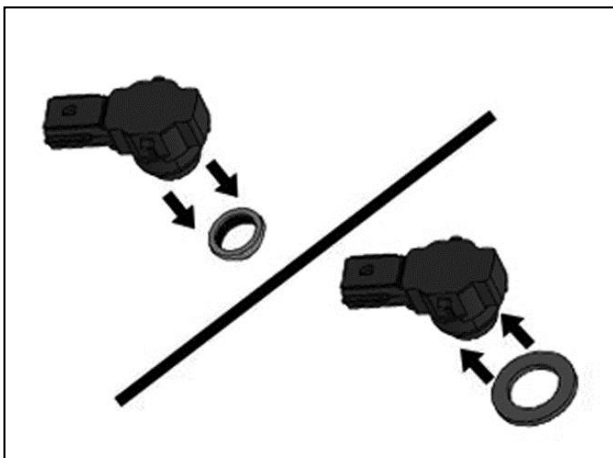
(Fig 7) Remove the sensors, remote antenna with TPMS assembly & spare tire access tube from the back of the bumper. Also remove wire harness.



(Fig 8) Remove the cross traffic sensors (ACC) if equipped (arrow)



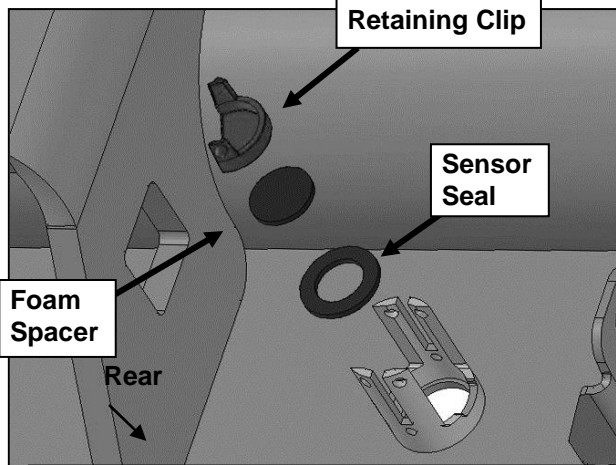
(Fig 9) Models without parking sensors, insert Rubber Plugs into sensor mounts



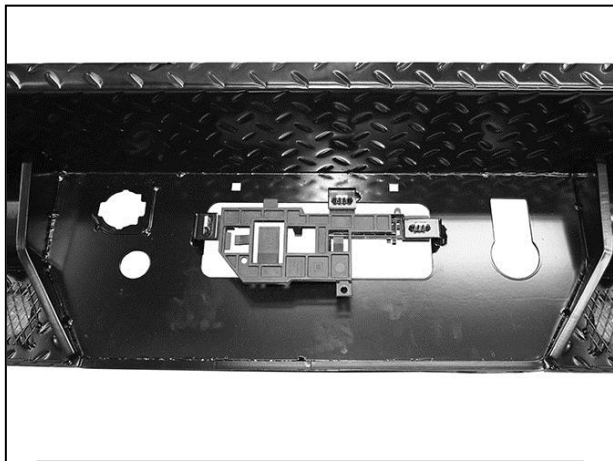
(Fig 10) Remove the silicone seal from sensor. Slide Foam Seal over end of sensor (arrow)

**HD REPLACEMENT REAR BUMPER
2019-20 1500, 2020 25-3500 SILVERADO**

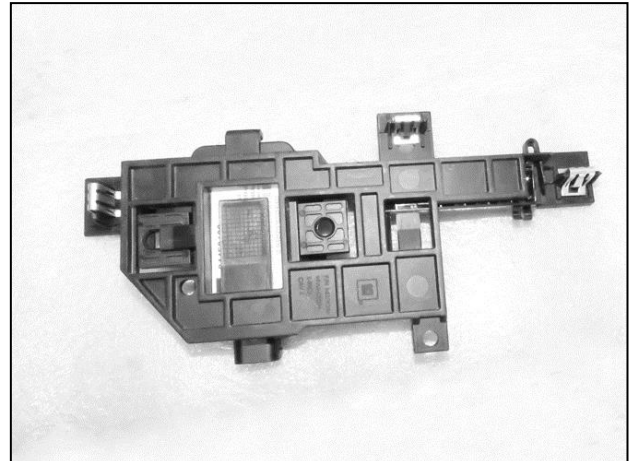
WARNING! Fully support the weight of the bumper with blocks or stands to prevent injury or damage to the vehicle.



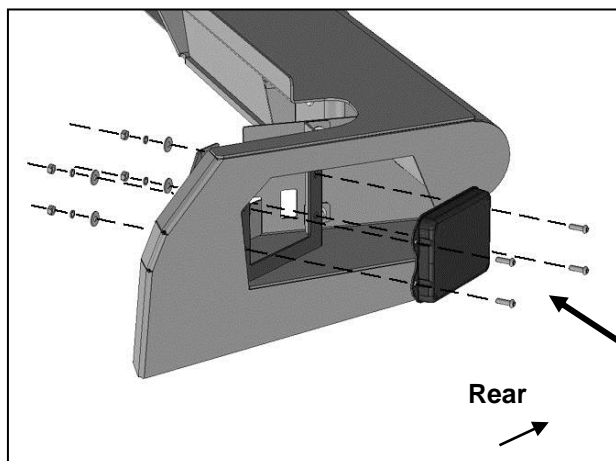
(Fig 11) Insert sensor assembly into the sensor sleeve. Secure with Retaining Clip.



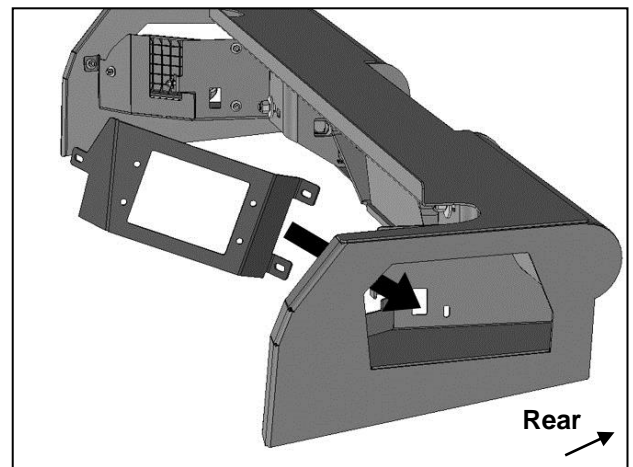
(Fig 13) Attach remote antenna assembly (Fig 12), to slots in mounting tabs



(Fig 12) Remote antenna with TPMS assembly



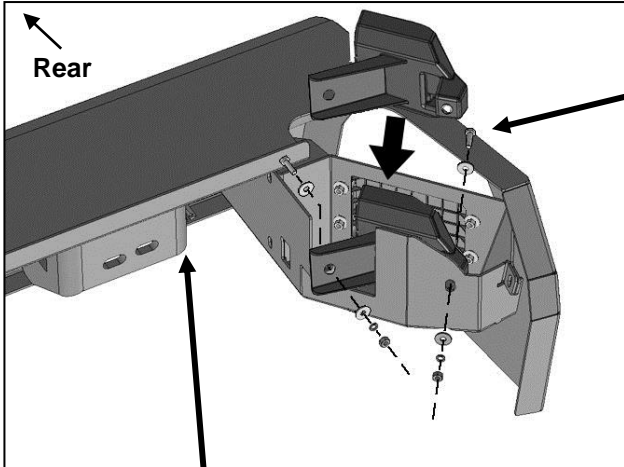
(Fig 15) Attach Plastic Cover to outside of Bracket



(Fig 14) Slide driver/left Cover Bracket into pocket in end of Bumper

- (4) 6mm x 20mm Button Head Bolts**
- (4) 6mm Flat Washers**
- (4) 6mm Lock Washers**
- (4) 6mm Hex Nuts**

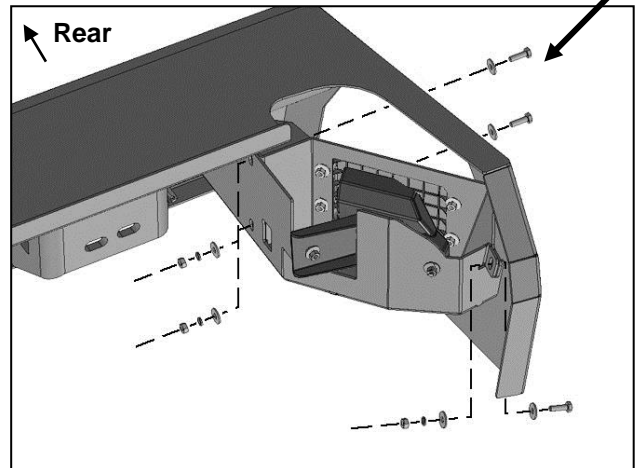
**HD REPLACEMENT REAR BUMPER
2019-20 1500, 2020 25-3500 SILVERADO**



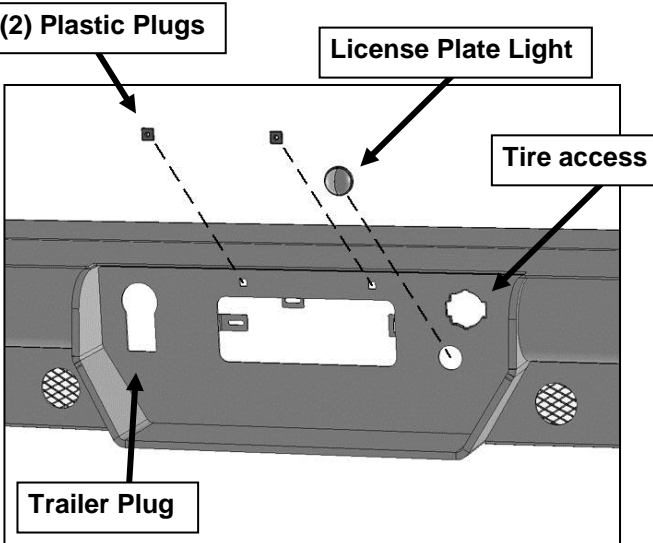
- (2) 6mm x 20mm Hex Bolts
- (4) 6mm Flat Washers
- (2) 6mm Lock Washers
- (2) 6mm Hex Nuts

(Fig 16) Slide Bracket with Cover to rear of pocket. Insert sensor between Cover Bracket and side of pocket in Bumper. Attach sensor to mounting points on inside of pocket

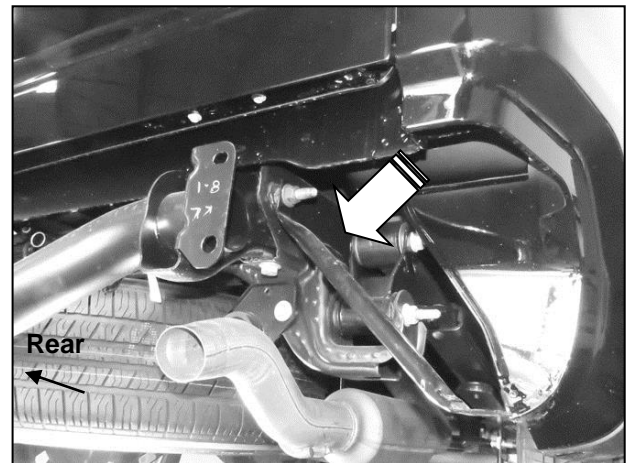
- (3) 6mm x 20mm Hex Bolts
- (6) 6mm Flat Washers
- (3) 6mm Lock Washers
- (3) 6mm Hex Nuts



(Fig 17) Slide Bracket with Cover forward in pocket. Attach Cover Bracket to inside of pocket



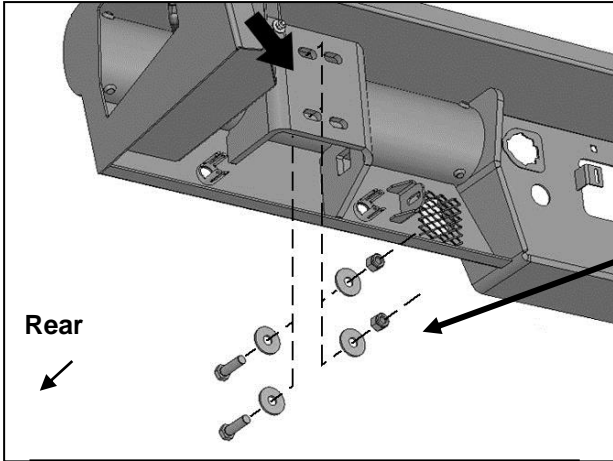
(Fig 18) Push in license plate plugs, trailer plug and spare tire access lock



(Fig 19) Remove the outer bumper supports from both sides of the frame (arrow). Note passenger/right side pictured

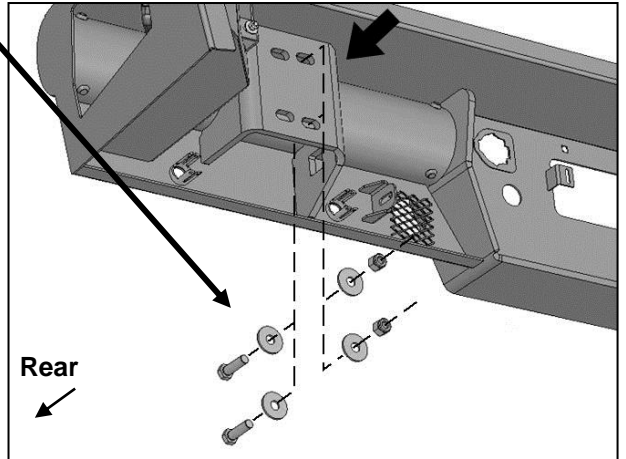
**HD REPLACEMENT REAR BUMPER
2019-20 1500, 2020 25-3500 SILVERADO**

WARNING! Fully support the weight of the bumper with blocks or stands to prevent injury or damage to the vehicle.

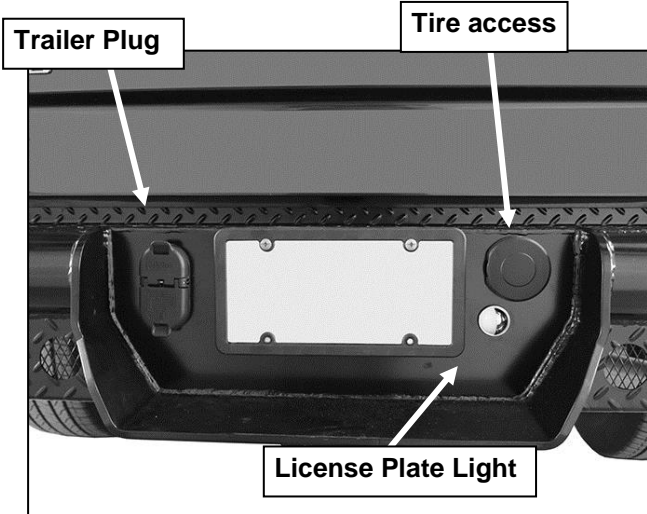


- (2) 12mm Hex Bolts
- (4) 12mm Flat Washers
- (2) 12mm Nylon Lock Nuts

(Fig 20) 1500 models, use the outer slots to attach the Bumper to the frame (passenger/right side illustrated)



(Fig 21) 25-3500 models, use the inner slots to attach the Bumper to the frame



(Fig 22) License plate plugs, light, trailer plug and spare tire access lock installed

