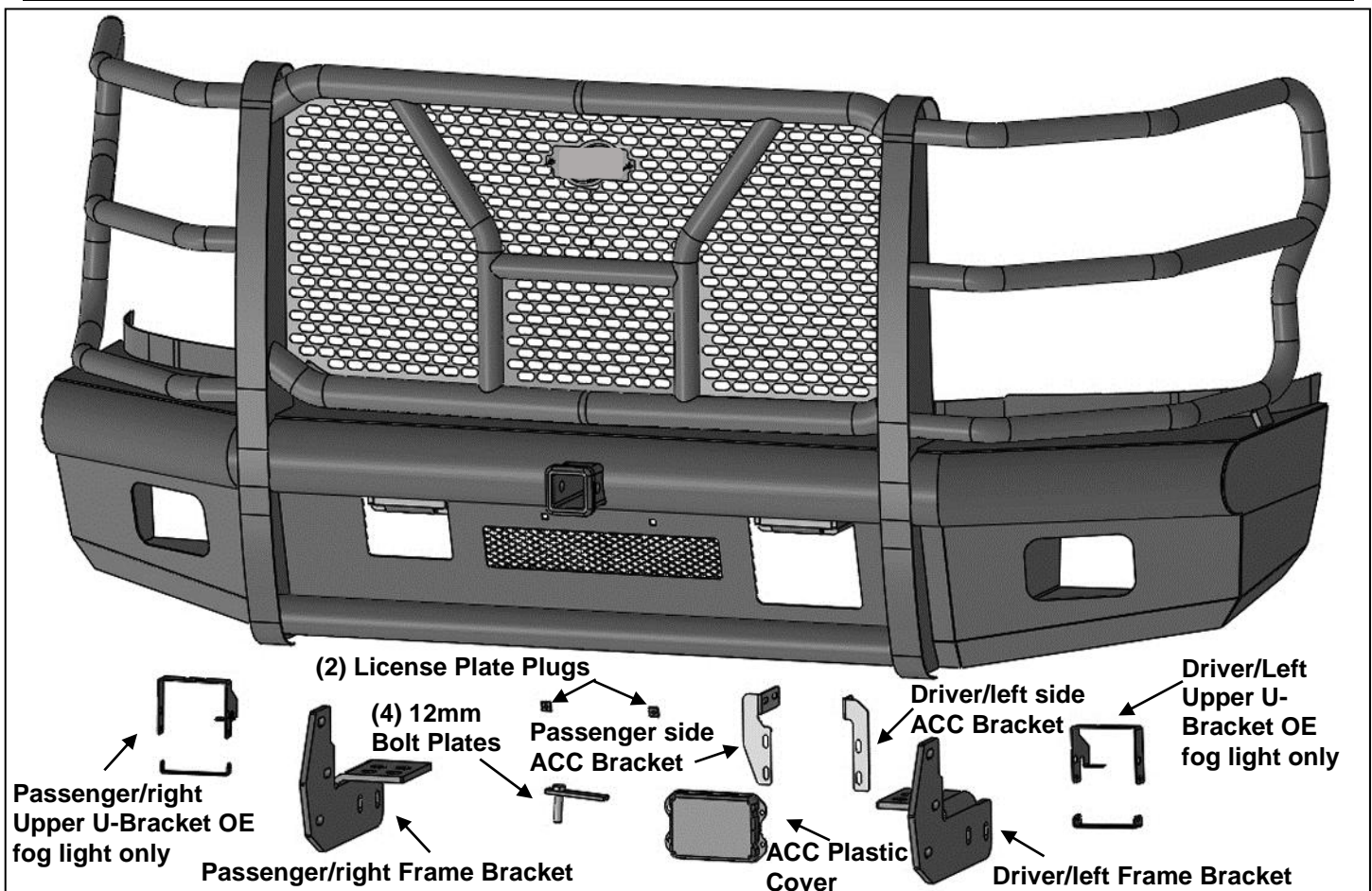


**HEAVY DUTY REPLACEMENT FRONT BUMPER  
2017-19 FORD SUPER DUTY**

**PARTS LIST:**

1	HD Front Bumper Assembly	18	12mm Lock Washers
1	Driver/left Frame Bracket	18	12-1.75mm Hex Nuts
1	Passenger/right Frame Bracket	2	8mm x 20mm Hex Bolts
1	Driver/left Upper U-Bracket (OEM fog light)	4	8mm x 24mm x 2mm Flat Washers
1	Passenger/right Upper U-Bracket (OEM fog light)	2	8mm Nylon Lock Nuts
2	Lower U-Brackets (OEM fog light only)	3	6mm x 25mm Hex Bolts
1	Adaptive Cruise Control, (ACC) Plastic Cover	3	6mm x 25mm Button Head Bolts
1	Driver/left side ACC Bracket	4	6mm x 16mm Hex Bolts
1	Passenger/right side ACC Bracket	13	6mm x 18mm x 1.6mm Flat Washers
2	Plastic Plugs for license plate mount	10	6mm Lock Washers
4	12mm Bolt Plates	6	6mm Hex Nuts
14	12-1.75mm x 50mm Hex Bolts	1	Allen Wrench S=4
32	12mm x 32mm x 3mm Flat Washers	1	Allen Wrench S=2.5



**PROCEDURE:**

**REMOVE CONTENTS FROM BOX. VERIFY ALL PARTS ARE PRESENT. READ INSTRUCTIONS CAREFULLY BEFORE STARTING INSTALLATION. BUMPER IS HEAVY, ASSISTANCE IS HIGHLY RECOMMENDED TO AVOID POSSIBLE INJURY OR DAMAGE TO THE VEHICLE.**

1. Remove the license plate and bracket. On models with factory fog lights, unplug both lights. Unplug and remove the adaptive cruise control, if equipped. Release the wiring harness from the clips attached to the back of the bumper, **(Figures 1 & 2)**. Move harness away from bumper.
2. Next, remove the plastic lower air dam from the bottom of the bumper, **(Figure 3)**. Remove the outer bumper supports attaching the outer ends of the bumper to the sides of the frame, **(Figure 4)**. Remove the plastic covers from the tow hooks to uncover the bumper bolts, **(Figure 5)**.

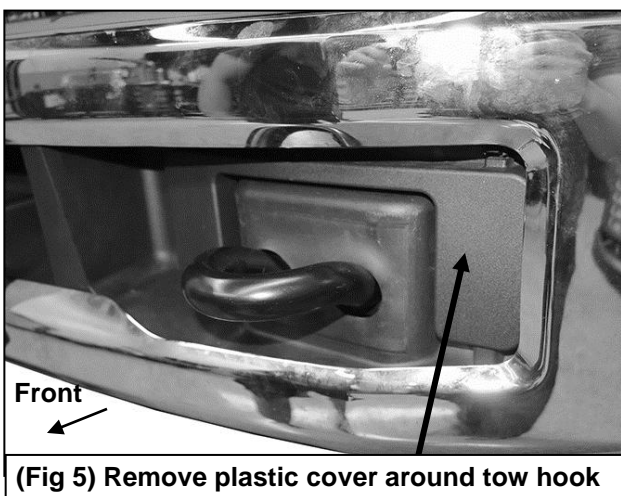
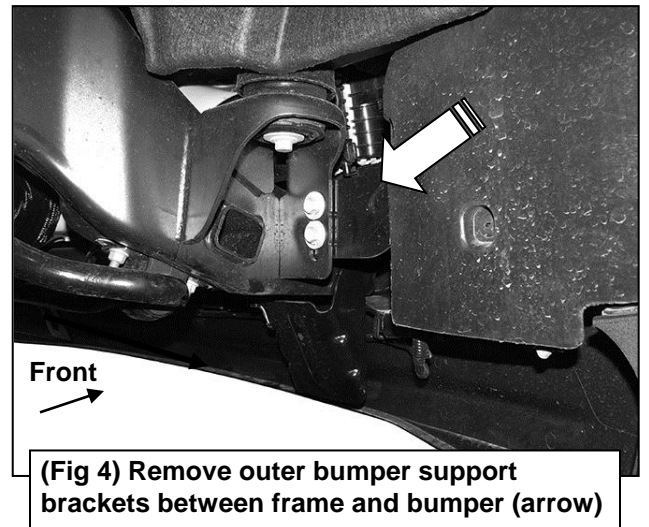
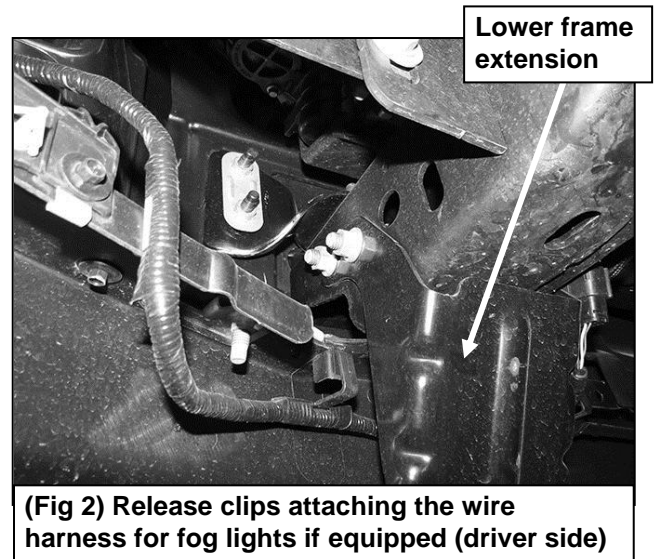
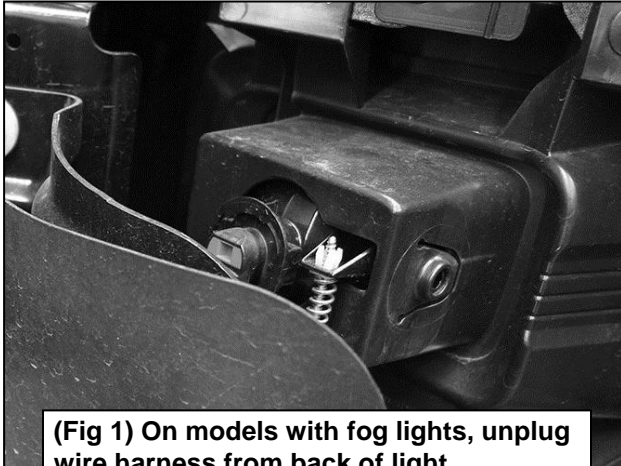
## HEAVY DUTY REPLACEMENT FRONT BUMPER 2017-19 FORD SUPER DUTY

3. Place blocks or jack stands under the front bumper to support it during mounting bolt removal. Once the bumper has been safely supported, remove the (8) factory bumper bolts, **(Figure 6)**.  
**WARNING!** Assistance is required to hold the bumper in place during bolt removal to prevent the bumper from falling. Carefully slide the bumper off over the tow hooks.
4. Remove the passenger/right side tow hook from the end of the frame, **(Figure 7)**. Next, remove the (4) factory hex nuts, lower frame extension and double bolt plates from the end of the frame, **(Figures 2 & 7)**. Repeat this Step to remove the driver/left side tow hook and lower frame extension.
5. Reuse the factory hardware to attach the passenger side tow hook to the bracket on the back of the HD Bumper, **(Figure 8)**.
6. Next, select the passenger/right Frame Bracket. Slide the Bracket over the end of the frame. Line up the slots in the side of the Bracket with the holes in the outer side of the frame. Select (2) 12mm Bolt Plates. Insert the Bolt Plates into the open end of the frame and out through the Bracket. Attach the Bracket to the Bolt Plates with (2) 12mm Flat Washers, (2) 12mm Lock Washers and (2) 12mm Hex Nuts, **(Figure 9)**. Leave loose at this time.
7. Attach the mounting tab on the top of the Bracket to the top of the frame with the included (4) 12mm x 50mm Hex Bolts, (8) 12mm Flat Washers, (4) 12mm Lock Washers and (4) 12mm Hex Nuts, **(Figure 10)**. Do not fully tighten hardware at this time.
8. Repeat **Steps 6 & 7** to attach the driver/left Frame Bracket to the end of the frame.
9. With assistance, carefully position the Bumper Assembly to the outside of the Frame Brackets. Temporarily support the weight of the Bumper. **WARNING:** To avoid possible injury or damage to the vehicle, do not proceed until the bumper is fully and safely supported.
10. Attach the Bumper to the outsides of the Frame Brackets with the included (6) 12mm x 50mm Hex Bolts, (12) 12mm Flat Washers, (6) 12mm Lock Washers and (6) 12mm Hex Nuts, **(Figure 11)**. Do not fully tighten hardware at this time.
11. Level and adjust the bumper and fully tighten all 12mm hardware to 65-70ft-lbs.
12. Use the included (2) push-in plastic nuts to attach the front license plate, (if required), to the (2) holes in the front bumper, **(Figure 12)**.
13. Determine if the vehicle is equipped with an adaptive cruise control, (ACC).  
**Vehicles without ACC:**
  - a. Reuse the factory hardware to attach the driver/left side tow hook to the bracket on the back of the HD Bumper as described in **Step 5**.  
**Vehicles with ACC:**
  - a. **NOTE:** On models with ACC, driver side tow hook cannot be reinstalled.
  - b. Select the Driver/left side ACC Bracket and the Passenger/right side ACC Bracket. Attach the Driver and Passenger side ACC Brackets to the tow hook mount on the back of the bumper using (3) 6mm x 25mm Hex Bolts, (6) 6mm Flat Washers, (3) 6mm Lock Washers and (3) 6mm Hex Nuts, **(Figure 13)**.
  - c. Next, insert (3) 6mm x 25mm Button Head Bolts through the (3) holes on the ACC Plastic Cover, the ACC Brackets and out through the adaptive cruise control. Secure with (3) 6mm Flat Washers, (3) 6mm Lock Washers and (3) 6mm Hex Nuts, **(Figure 14)**.
  - d. Tighten all ACC Bracket hardware at this time. **NOTE:** To prevent the ACC Plastic Cover from tearing do not overtighten the Button Head Bolts.
14. **Models with factory fog lights:**
  - a. Use a flat blade screwdriver to carefully pop out the tabs on the side of the fog light bracket attaching the light to the bracket, **(Figure 1)**. Pop the light out of the plastic bracket housing.
  - b. Remove the adjustment screw and spring from the light assembly.
  - c. Select the passenger/right top U Bracket, **(Figure 15)**. Attach the Bracket to the slot in the light opening with the included (1) 8mm x 25mm Hex Bolt, (2) 8mm Flat Washers and (1) 8mm Nylon Lock Nut, **(Figure 15)**.
  - d. Carefully spread the sides of the Bracket enough to slide the OE plastic fog light between and into the Bracket, **(Figure 16)**. Select (1) Lower U-Bracket. Attach the Lower Bracket to the Upper Bracket with (2) 6mm x 16mm Hex Bolts, (2) 6mm Lock Washers and (2) 6mm x 12mm Small Flat Washers, **(Figure 17)**.

## HEAVY DUTY REPLACEMENT FRONT BUMPER 2017-19 FORD SUPER DUTY

- e. Insert the factory spring between the tab on the Bracket and the light. Insert the screw through the tab, spring and into the fog light, **(Figure 17)**.
  - f. Repeat to install the driver/left fog light.
15. On models with grille mounted factory camera, remove the center screen, **(Figure 18)**.
16. Reattach the factory wiring harness. Adjust lights as necessary and tighten fog light bracket hardware.
17. Do periodic inspections to the installation to make sure that all hardware is secure and tight.

**To protect your investment**, do not use any type of polish or wax that may contain abrasives that could damage the finish. Mild soap may be used to clean the HD Front Bumper assembly.



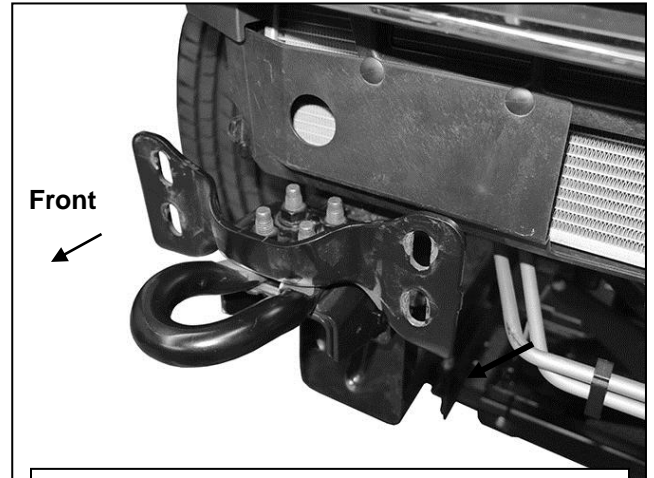
**HEAVY DUTY REPLACEMENT FRONT BUMPER  
2017-19 FORD SUPER DUTY**

**Passenger/right Side Installation Pictured**

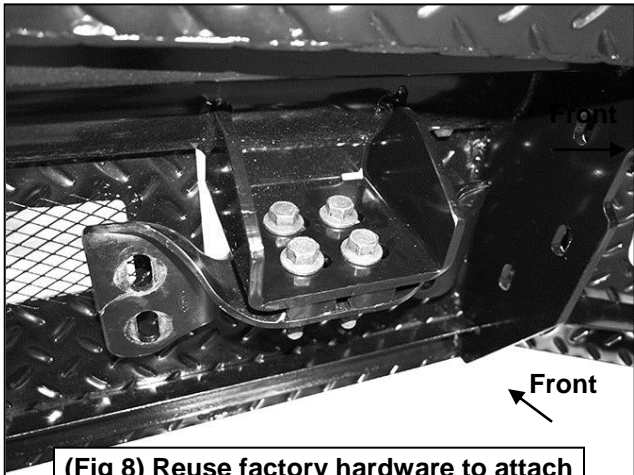
**WARNING!** Do not remove bumper bolts unless the bumper is properly supported on blocks or stands or the bumper may fall.



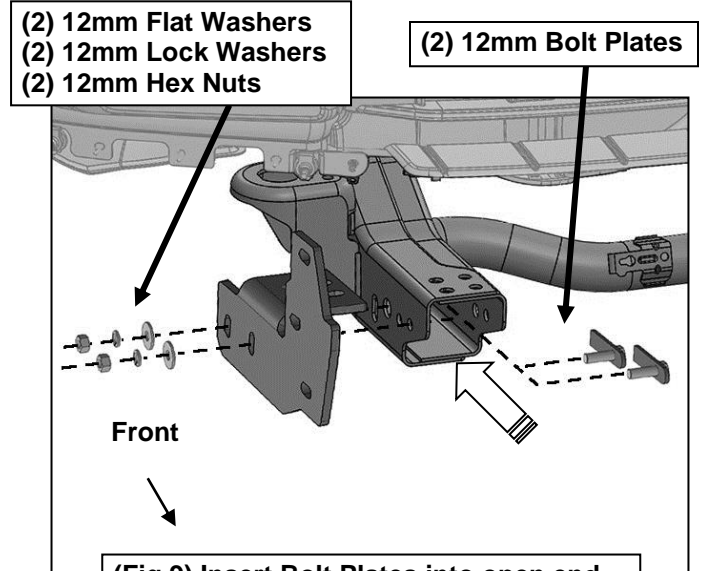
**(Fig 6) Remove bumper bolts (driver side pictured)**



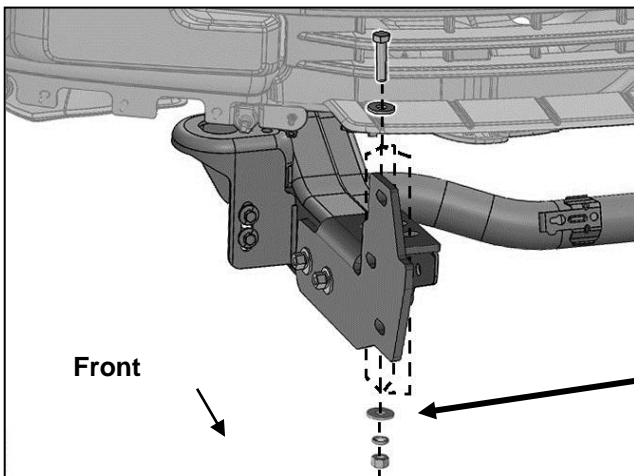
**(Fig 7) Remove tow hook assembly and lower frame extension (not pictured-see Fig 2)**



**(Fig 8) Reuse factory hardware to attach tow hook to mount on back of bumper**



**(Fig 9) Insert Bolt Plates into open end of frame. Attach Bracket to side of frame**



- (4) 12mm x 50mm Hex Bolts
- (8) 12mm Flat Washers
- (4) 12mm Lock Washers
- (4) 12mm Hex Nuts

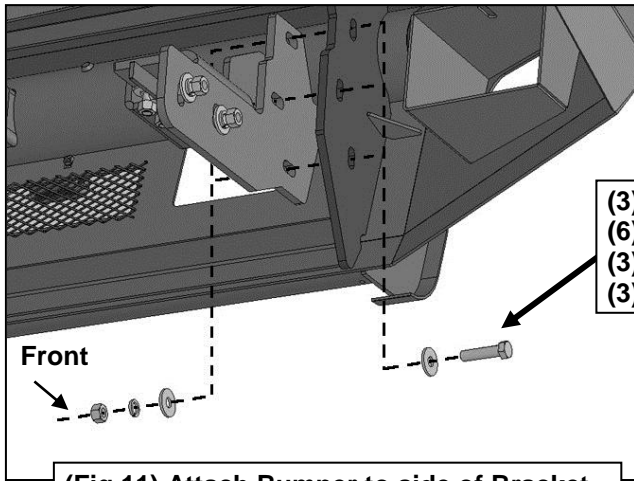
**(Fig 10) Attach tab on Bracket to top of frame**



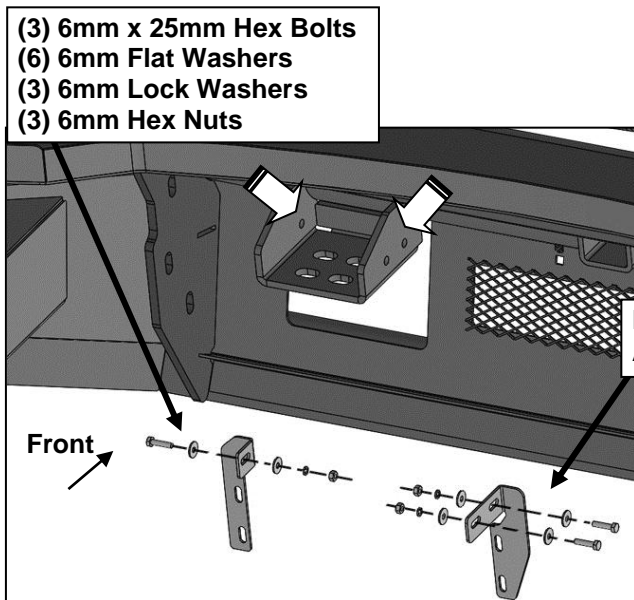
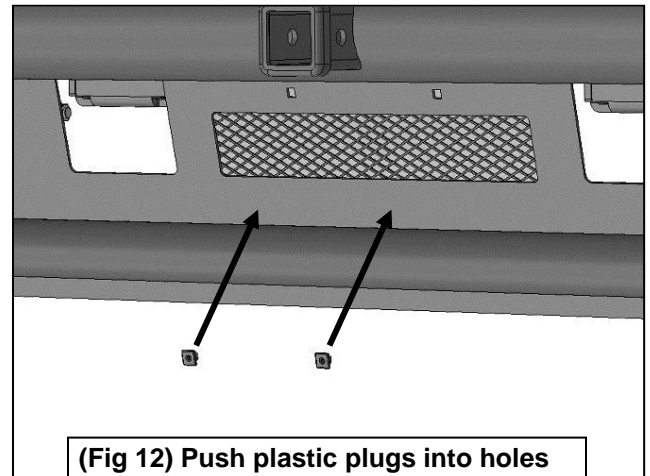
**HEAVY DUTY REPLACEMENT FRONT BUMPER  
2017-19 FORD SUPER DUTY**

**Passenger/right Side Installation Pictured**

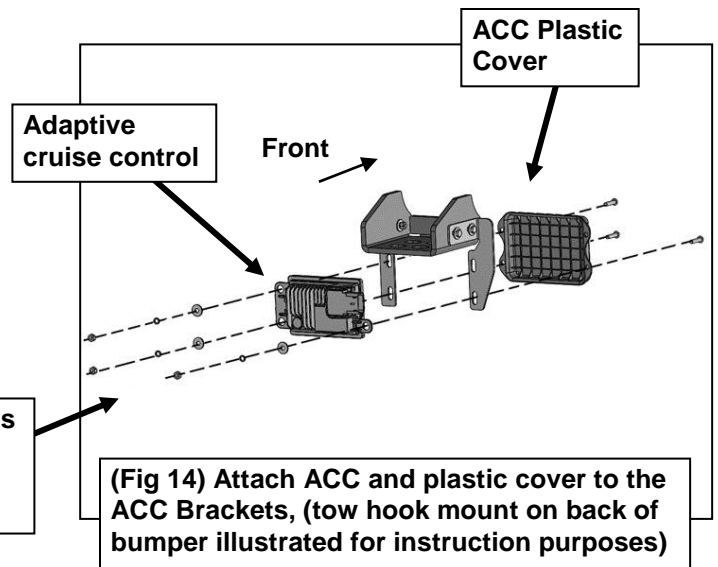
**WARNING!** Do not crawl under bumper unless the bumper is properly supported on blocks or stands or the bumper may fall.



(Fig 11) Attach Bumper to side of Bracket



(Fig 13) Vehicles equipped with adaptive cruise control, attach ACC Brackets to the tow hook mount on back of bumper (Driver side pictured)



HEAVY DUTY REPLACEMENT FRONT BUMPER  
2017-19 FORD SUPER DUTY

Passenger/right Side Installation Pictured

