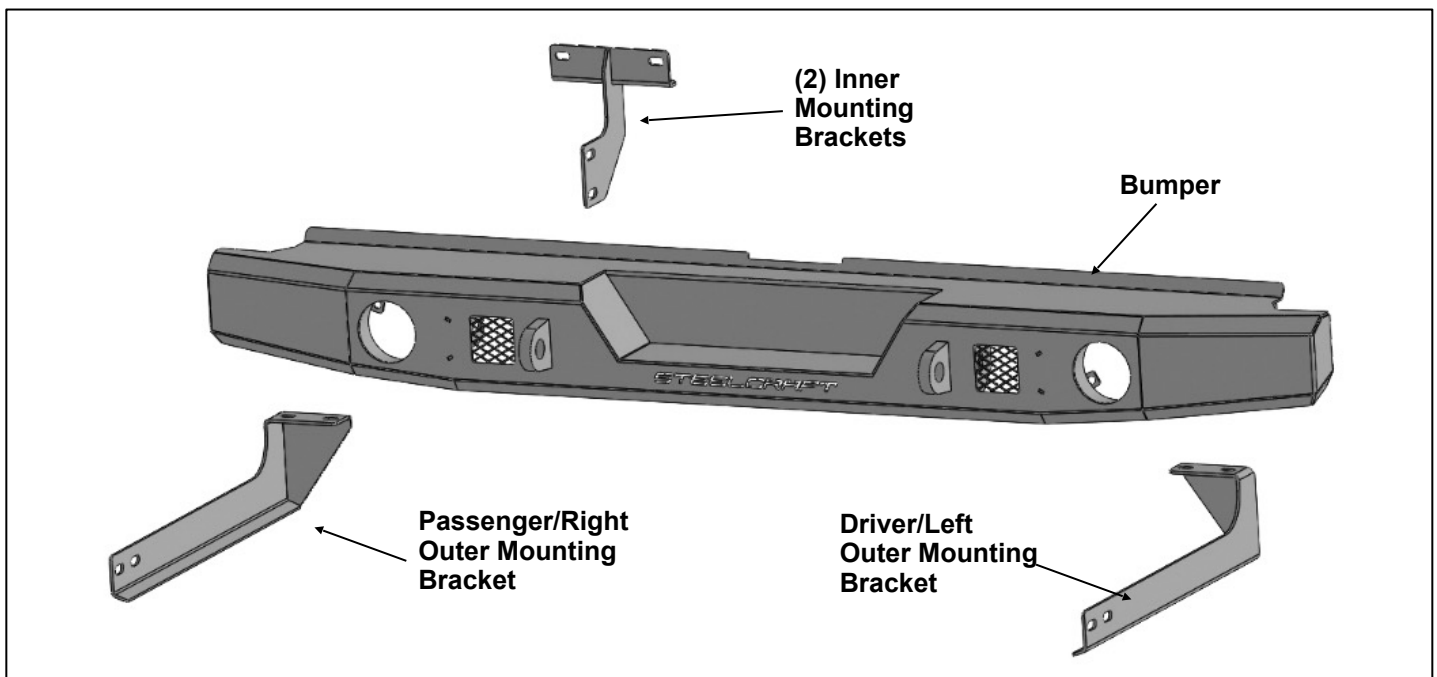


**ELEVATION REAR BUMPER
2015-20 KAWASAKI MULE PRO-FXT**

PARTS LIST:

1	Rear Bumper	4	8mm x 24mm OD x 2mm Flat Washers
1	Driver/Left Outer Mounting Bracket	2	8mm Nylon Lock Nuts
1	Passenger/Right Outer Mounting Bracket	2	6mm x 25mm Hex Bolts
2	Inner Mounting Brackets	4	6mm x 18mm OD x 1.6mm Flat Washers
8	10mm x 30mm Hex Bolts	2	6mm Nylon Lock Nuts
16	10mm x 30mm OD x 2.5mm Flat Washers	4	5mm x 20mm Hex Bolts
8	10mm Nylon Lock Nuts	8	5mm x 10mm OD x 1mm Flat Washers
2	8mmx 25mm Hex Bolts	4	5mm Lock Washers
4	8mm x 25mm Self Tapping Bolts	4	5mm Hex Nuts



PROCEDURE:

REMOVE CONTENTS FROM BOX. VERIFY ALL PARTS ARE PRESENT. READ INSTRUCTIONS CAREFULLY BEFORE STARTING INSTALLATION. BUMPER IS HEAVY, ASSISTANCE IS HIGHLY RECOMMENDED TO AVOID POSSIBLE INJURY OR DAMAGE TO THE VEHICLE.

1. Start at the rear of the vehicle. Unplug and remove the rear brake lights from the bottom of the bed.
2. Move to the Passenger/Right rear of the vehicle.
3. Locate the mounting holes located above the rear tire in the bottom of the bed, **(Figure 1)**.
4. Select the Passenger/Right Outer Mounting Bracket. Attach the Bracket to the bottom of the bed with **(2) 8mm Self Tapping Bolts, (Figures 2 & 3)**. Do not tighten hardware at this time. Repeat this **Step** to attach the Driver/Left Outer Mounting Bracket to the bottom of the bed.
5. Move to the rear of the vehicle. Locate the holes in the bottom trim of the bed, **(Figure 4)**.
6. Select **(1) Inner Mounting Bracket**. Attach the Bracket to the Passenger/Right side of the bottom bed trim with **(1) 8mm Hex Bolt, (2) 8mm Flat Washers, (1) 8mm Nylon Lock Nut, (1) 6mm Hex Bolt, (2) 6mm Flat Washers and (1) 6mm Nylon Lock Nut, (Figures 5 & 6)**. Do not tighten hardware at this time. Repeat this **Step** to attach **(1) Inner Mounting Bracket** to the Driver/Left side of the vehicle.
7. Select the Elevation Rear Bumper. Remove the factory brake light bulbs from the light housing. Locate the Passenger/Right light mounting location, **(Figure 7)**. Attach the brake light bulb to the mounting

**ELEVATION REAR BUMPER
2015-20 KAWASAKI MULE PRO-FXT**

- location with (2) 5mm Hex Bolts, (4) 5mm Flat Washers, (2) 5mm Lock Washers and (2) 5mm Hex Nuts, **(Figure 8)**. **IMPORTANT:** Do not over tighten bolts or damage to the light may result.
8. With assistance, line the Bumper up to the slots in the Mounting Brackets. Using block or jack stands, temporarily support the weight of the Bumper. **WARNING:** To avoid possible injury or damage to the vehicle, do not proceed until the Bumper is fully and safely supported.
 9. Attach the Passenger/Right side of the Bumper to the Outer Mounting Bracket with (2) 10mm Hex Bolts, (4) 10mm Flat Washers and (2) 10mm Nylon Lock Nuts, **(Figures 9 & 10)**. Do not tighten hardware at this time. Repeat this **Step** to attach the Bumper to the Driver/Left Outer Mounting Bracket.
 10. Attach the Bumper to the (2) Inner Mounting Brackets with (4) 10mm Hex Bolts, (8) 10mm Flat Washers and (4) 10mm Nylon Lock Nuts, **(Figures 11 & 12)**. Do not tighten hardware at this time.
 11. Level and adjust the bumper and tighten all hardware.
 12. Do periodic inspections to the installation to make sure that all hardware is secure and tight.

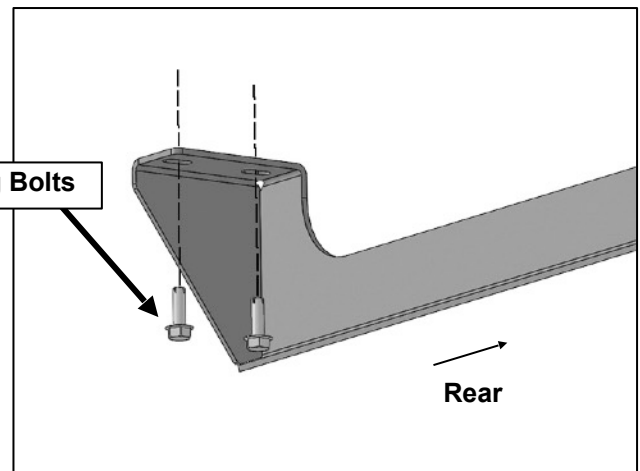
To protect your investment, Do not use any type of polish or wax that may contain abrasives that could damage the finish. Mild soap may be used to clean the Rear Bumper assembly.

Passenger/Right Side Installation Pictured



(Fig 1) Locate the Passenger/Right mounting location under the bed

(2) 8mm Self Tapping Bolts

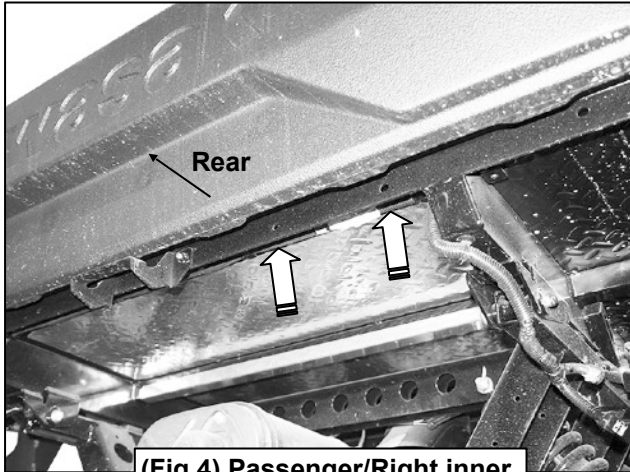


(Fig 2) Attach the Passenger/Right Outer Mounting Bracket to the bottom of the bed

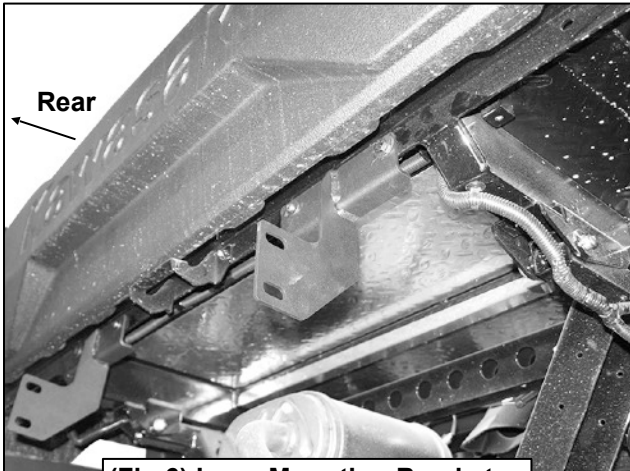


(Fig 3) Passenger/Right Outer Mounting Bracket attached to the bottom of the bed

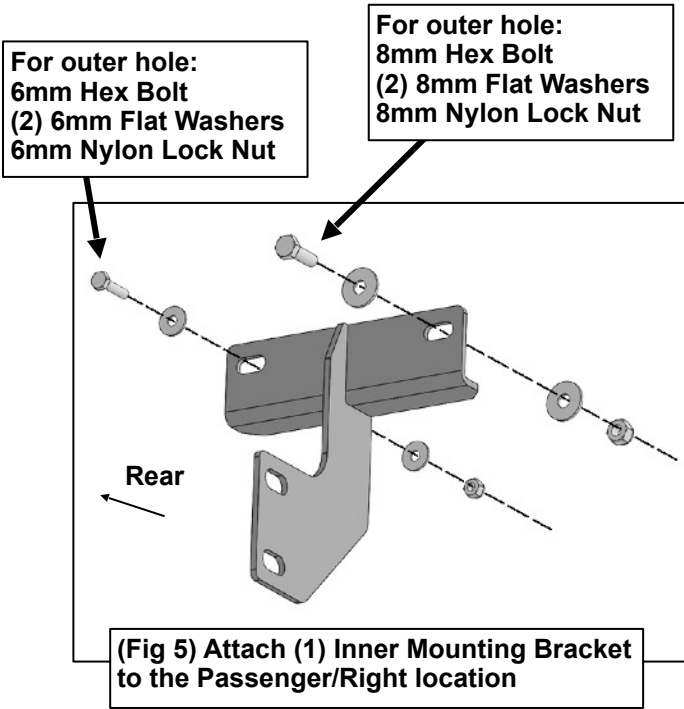
Passenger/Right Side Installation Pictured



(Fig 4) Passenger/Right inner mounting location



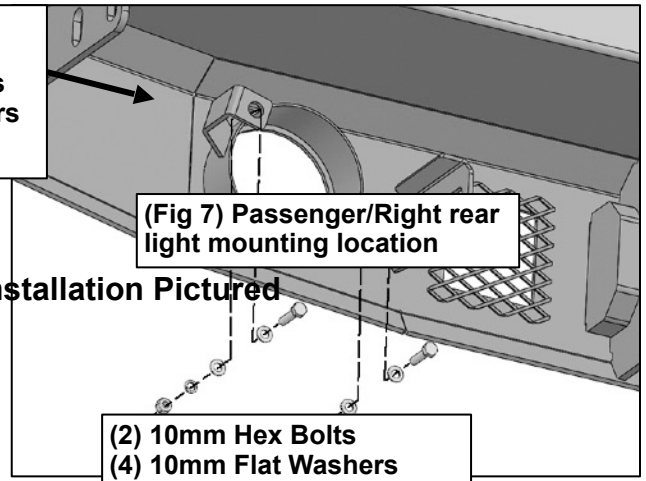
(Fig 6) Inner Mounting Brackets attached to the rear of the bed



(Fig 5) Attach (1) Inner Mounting Bracket to the Passenger/Right location

**ELEVATION REAR BUMPER
2015-20 KAWASAKI MULE PRO-FXT**

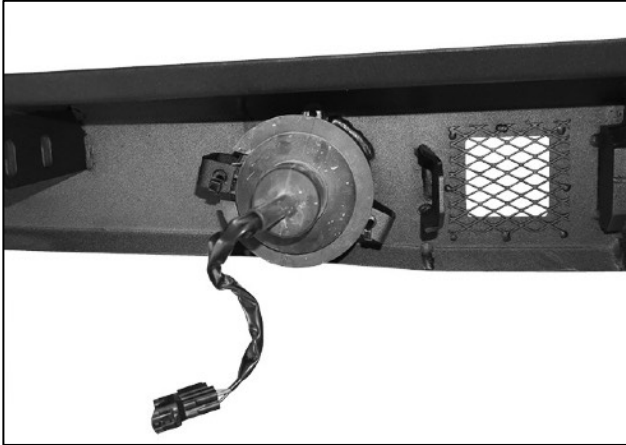
To mount brake light:
(2) 5mm Hex Bolts
(4) 5mm Flat Washers
(2) 5mm Lock Washers
(2) 5mm Hex Nuts



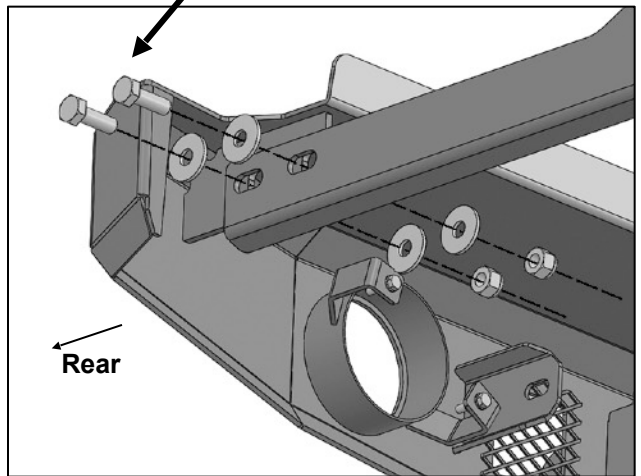
(Fig 7) Passenger/Right rear light mounting location

(2) 10mm Hex Bolts
(4) 10mm Flat Washers
(2) 10mm Nylon Lock Nuts

Passenger/Right Side Installation Pictured

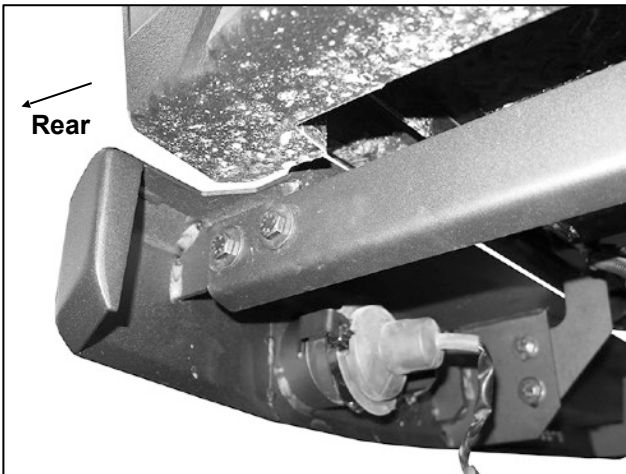


(Fig 8) Rear light attached to the Passenger/Right mounting location

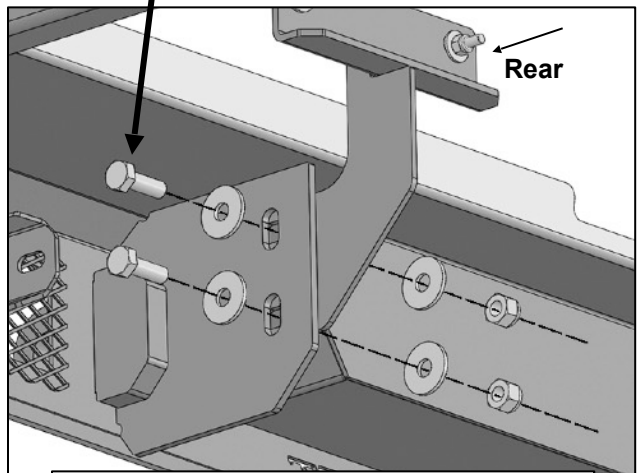


(Fig 9) Attach the Bumper to the Passenger/Right Outer Mounting Bracket

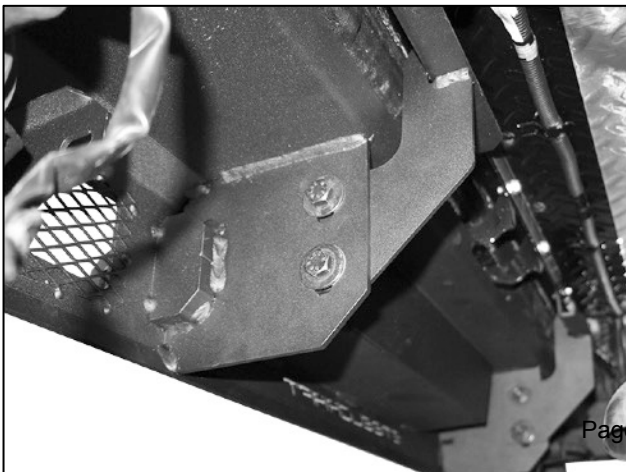
(2) 10mm Hex Bolts
(4) 10mm Flat Washers
(2) 10mm Nylon Lock Nuts



(Fig 10) Bumper attached to the Passenger/Right Outer Mounting Bracket



(Fig 11) Attach the Bumper to the Passenger/Right Inner Mounting Bracket



←
Rear

**(Fig 12) Bumper attached to the
Passenger/Right Inner Mounting Bracket**

Final Note: The shackle eyelets on this bumper only attach to the bed.
Serious recovery efforts should be secured directly to the vehicle chassis.