

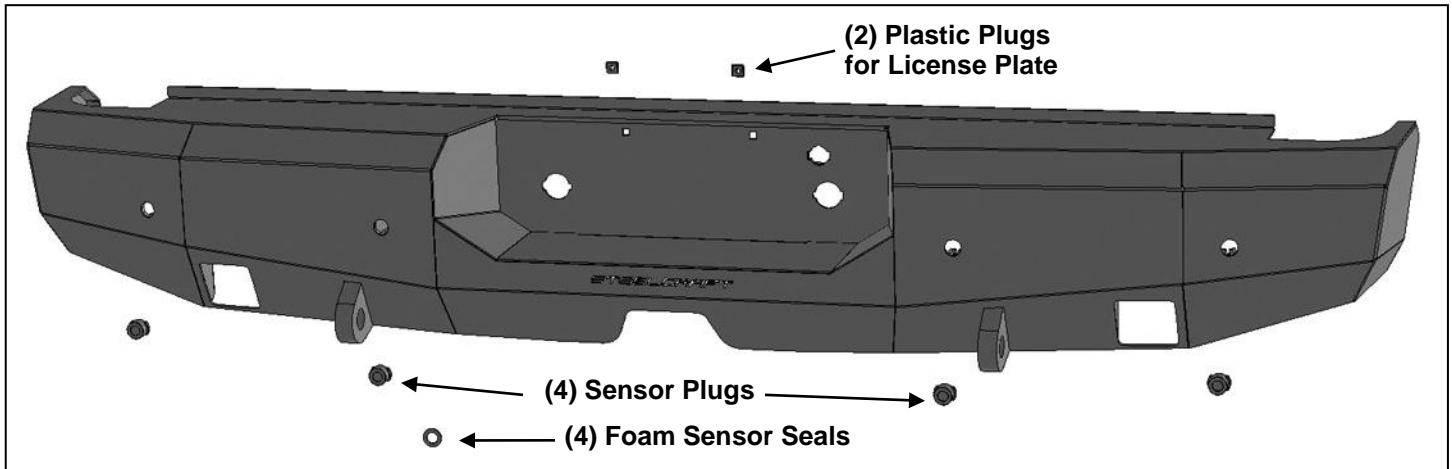
INSTALLATION INSTRUCTIONS

**STEELCRAFT FORTIS REAR BUMPER
2006-14 FORD F150**

**STEELCRAFT FORTIS REAR BUMPER
2006-14 FORD F150**

PARTS LIST:

1	Fortis Rear Bumper Assembly	2	Plastic Plugs for license plate mount
4	Sensor Hole Plugs	8	4mm x 10mm Button Head Bolts
4	15.5mm x 25mm x 2mm Foam Washers	1	2.5mm Wrench
1	Sensor Cover Kit		



PROCEDURE:

REMOVE CONTENTS FROM BOX. VERIFY ALL PARTS ARE PRESENT. READ INSTRUCTIONS CAREFULLY BEFORE STARTING INSTALLATION. ASSISTANCE IS RECOMMENDED TO AVOID POSSIBLE INJURY OR DAMAGE TO THE VEHICLE.

1. Remove the license plate from the bumper. Unplug the wiring harness leading to the bumper and move all wiring harnesses away from bumper.
2. Place blocks or jack stands under the bumper to support it during mounting bolt removal.
3. Determine which tow package is installed on vehicle. **NOTE:** Assistance is highly recommended.

Models with standard tow package (no 2" receiver hitch).

- a. Remove hex nuts attaching bumper and inner reinforcement to end of frame and remove bumper assembly, **(Figures 1 & 3).**

Models with integrated 2" receiver hitch and bumper bracket assembly.

- a. Remove bolts attaching top and bottom of bumper to hitch/bracket assembly and remove bumper, **(Figure 2 & 3).**
- b. Remove hex nuts attaching receiver hitch to end of frame and temporarily remove hitch.

Models with separate 2" receiver hitch or most aftermarket 2" receiver hitches.

- a. Remove hex nuts attaching bumper brackets and bumper to end of frame but leave hitch attached if possible.
- b. Remove bumper and bracket assembly. **NOTE:** It may be necessary to temporarily support the receiver hitch.

4. Release the clips attaching the license plate lights and remove the lights, **(Figure 4)**, trailer plug and sensors, (if equipped). Remove the wiring harness, **(Figure 5)**.
5. Reinstall the license plate lights and trailer plug into the Fortis Bumper, **(Figure 6)**.
6. Use the included (2) push-in plugs to attach the license plate to the Bumper, **(Figure 6)**.
7. Determine if the vehicle is equipped with bumper mounted parking sensors.

Models without bumper mounted sensors:

- a. Insert the included rubber plugs into the sockets in the bumper assembly.
- b. Secure the plugs to the socket with (2) 4mm x 10mm Button Head Screws, **(Figure 7)**.

Models with bumper mounted sensors:

- a. Select (1) sensor. Attach (1) Foam Seal Washer to the end of the sensor, **(Figures 8 & 9)**.
- b. Push the sensor into the socket from the back of the Bumper.
- c. Secure each sensor to the socket with (2) 4mm x 10mm Button Head Screws, **(Figure 10)**.
IMPORTANT: Sensors fit snug in sockets. The 4mm Screws are used to apply slight pressure

**STEELCRAFT FORTIS REAR BUMPER
2006-14 FORD F150**

to lock the sensors in place. Tighten both screws evenly until they touch the sensor body only. Do not overtighten screws or damage to sensors will result.

- d. Repeat to install the remaining sensors.
- e. Reattach the factory wiring harness to sensors, **(Figure 10)**.
- 8. Attach the wiring harness to the lights and trailer plug.
- 9. Remove the factory double or triple bolt plates from the bumper or tow hitch, **(Figures 11 & 12)**. Insert the bolt plates into the Fortis Bumper, **(Figure 13)**.

Models without 2" receiver hitch:

- a. Reuse the factory hex nuts and bolt plates to attach the Bumper directly to the end of the frame, **(Figure 13 & 14)**. **NOTE:** Bumper reinforcement will not be reinstalled.

Models with factory integrated 2" receiver hitch/bumper bracket assembly:

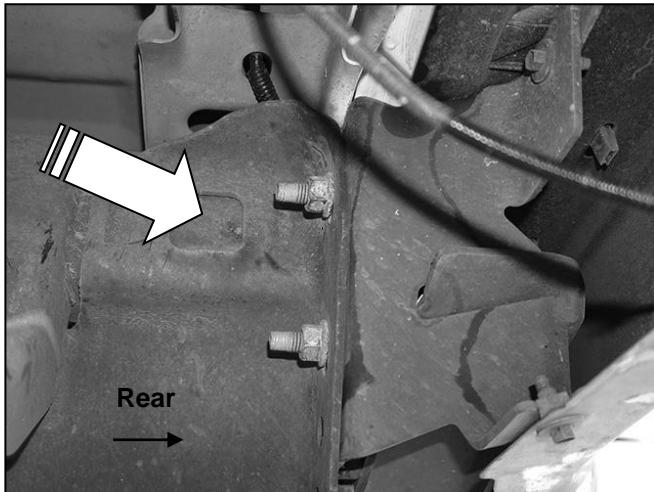
- a. Insert the bolt plates through the mounts on the Bumper.
- b. Slide the hitch into position. Guide the bolt plates through the hitch, **(Figure 13)**.
- c. With assistance, hold the Bumper and receiver hitch up to the end of the frame.
- d. Reuse the factory hex nuts and bolt plates to attach the Bumper to the end of the frame.

Models with separate 2" receiver hitch or most aftermarket 2" receiver hitches:

- a. Reuse the factory hex nuts and bolt plates to attach the Bumper directly to the end of the frame, **(Figures 13 & 14)**.
- 10. Level and adjust the bumper and fully tighten all hardware.
- 11. Slowly lower tailgate and check for clearance. Adjust Bumper height as necessary.
- 12. Plug bumper wiring harness into the main harness.
- 13. Do periodic inspections to the installation to make sure that all hardware is secure and tight.

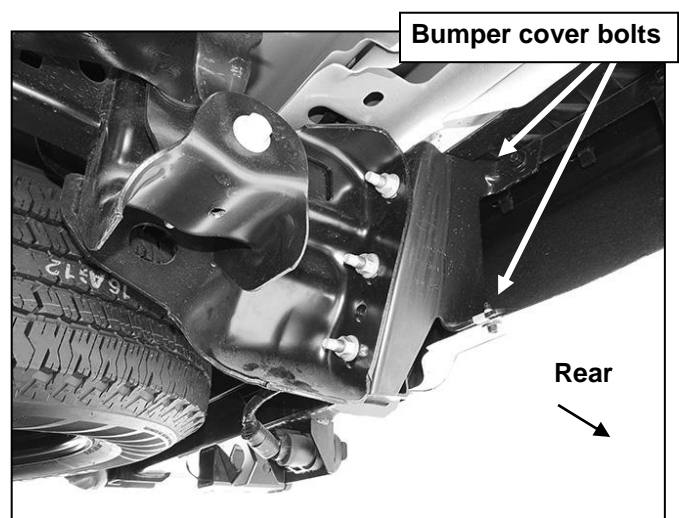
To protect your investment, Do not use any type of polish or wax that may contain abrasives that could damage the finish. Mild soap may be used to clean the Bumper assembly.

Driver/left Side Installation Pictured



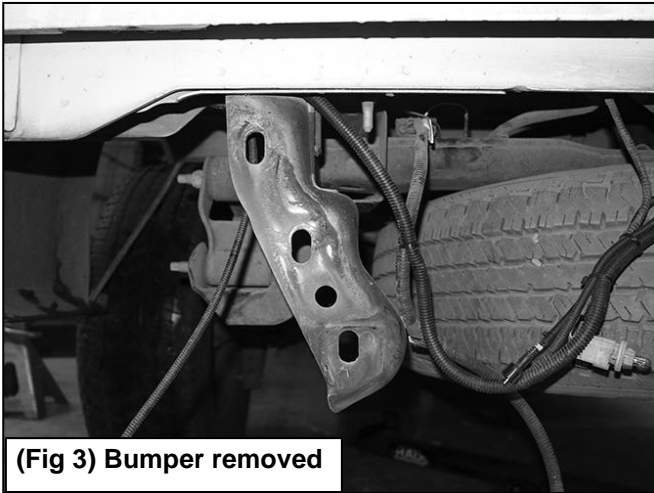
(Fig 1) Example of models without 2" receiver hitch or equipped with separate receiver hitch. Remove hex nuts (arrow) to remove bumper assembly

WARNING! Do not remove bumper bolts unless the bumper is properly supported on blocks or stands or the bumper may fall.



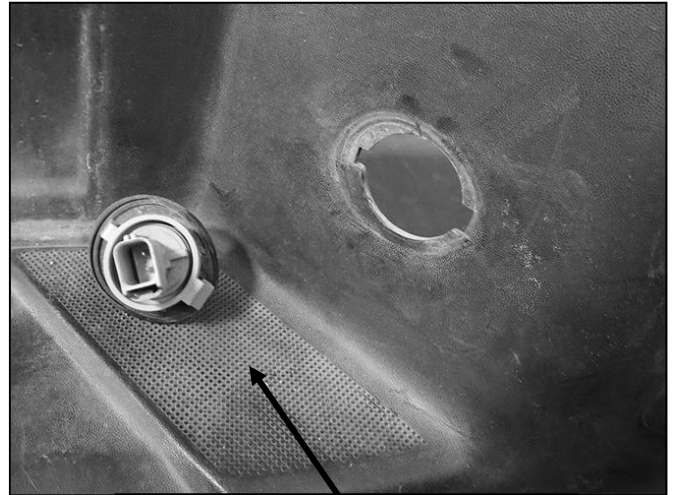
(Fig 2) Example of factory 2" receiver hitch and bumper bracket assembly. Remove upper and lower bumper bolts to remove outer bumper then remove receiver hitch

Driver/left Side Installation Pictured

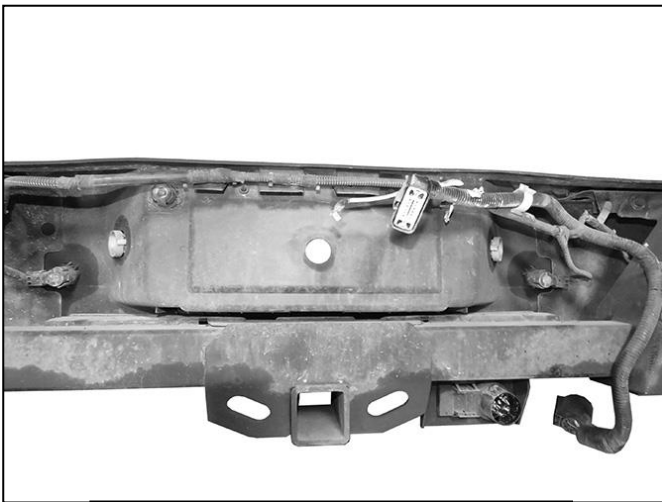


(Fig 3) Bumper removed

WARNING! Do not remove bumper bolts unless the bumper is properly supported on blocks or stands or the bumper may fall.



(Fig 4) Remove license plate lights



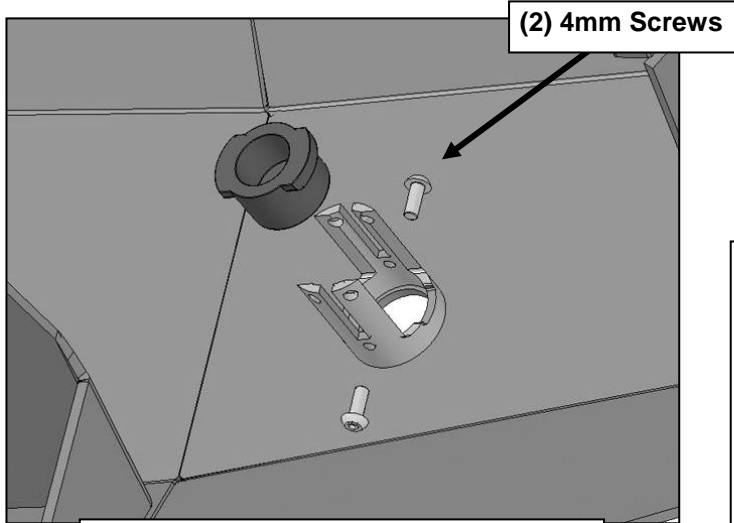
(Fig 5) Remove sensors if equipped, and wiring harness from bumper

WARNING! Do not crawl under bumper unless the bumper is properly supported on blocks or stands or the bumper may fall.



(Fig 6) Push plastic plugs into holes for license plate. Install license plate lights and spare tire access lock

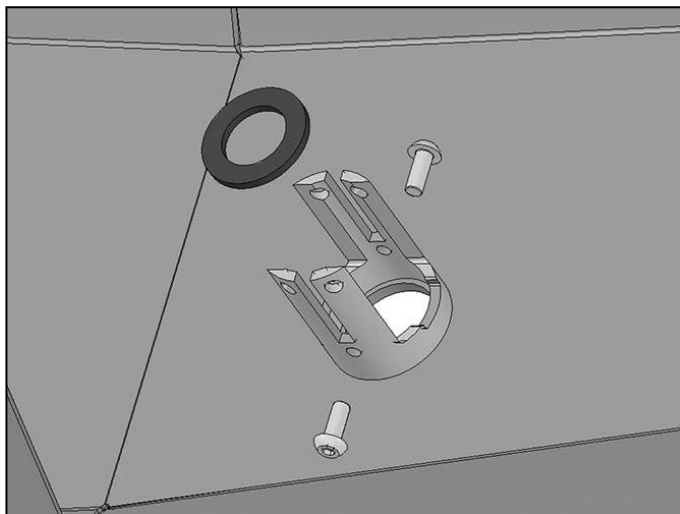
Driver/left Side Installation Pictured



(Fig 7) Models without sensors, push sensor plug into mounting sleeve. Use 4mm Screws to lock plug in place.

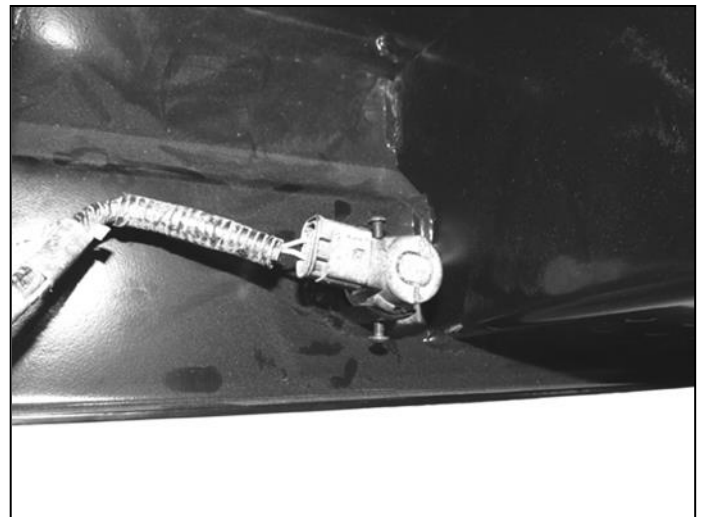


(Fig 8) Models with sensors, attach Foam Seal to end of sensor



(Fig 9) Push sensor with Foam Seal into mounting sleeves on back of Bumper

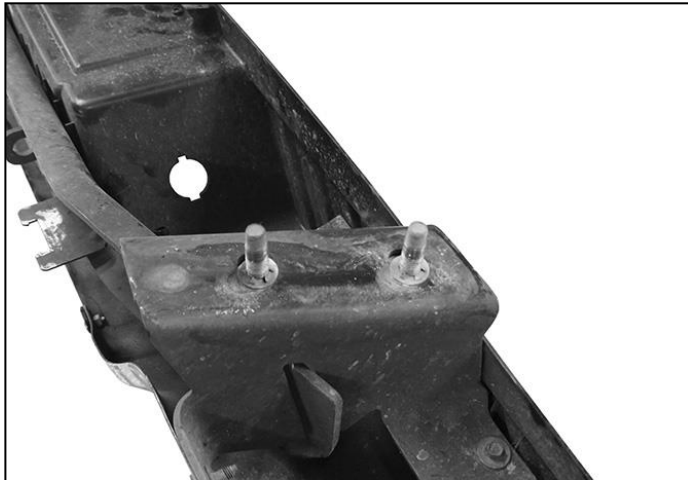
IMPORTANT: Sensors fit snug in sockets. The 4mm Screws are only used to apply slight pressure to lock the sensors in place. Center Sensors in sockets and flush Sensors to face of bumper before tightening. Tighten both screws evenly until they touch the sensor body only. Do not overtighten screws or damage to sensors will result.



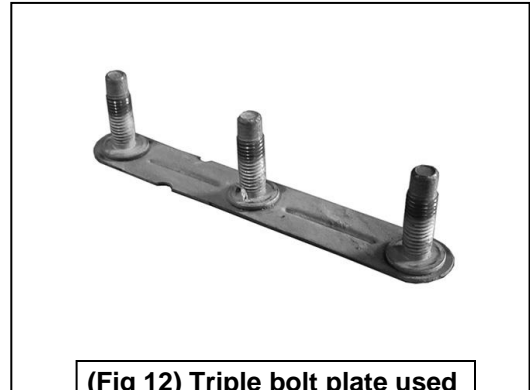
(Fig 10) Stall wiring harness. Plug sensors and license plate lights into harness

**STEELCRAFT FORTIS REAR BUMPER
2006-14 FORD F150**

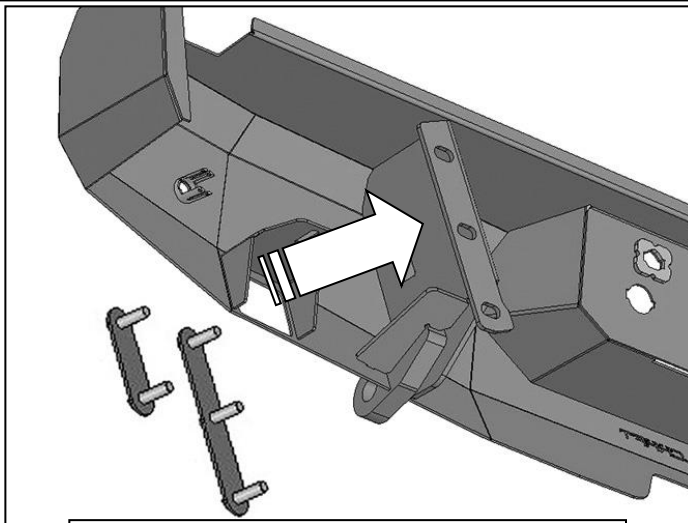
WARNING! Do not crawl under bumper unless the bumper is properly supported on blocks or stands or the bumper may fall.



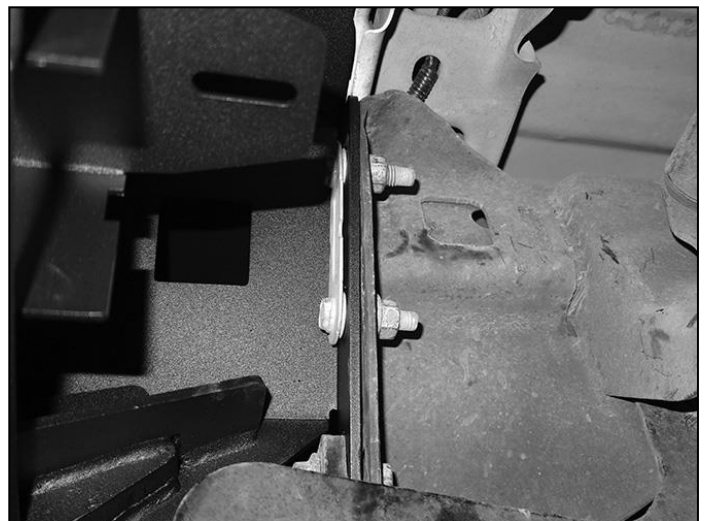
(Fig 11) Use a flat blade screwdriver to remove clips from bolt plates. Double bolt plate pictured



(Fig 12) Triple bolt plate used with 2" receiver hitch



(Fig 13) Insert bolt plates through bumper and 2" receiver hitch (if equipped)



(Fig 14) Reuse factory hex nuts and bolt plates to attach Bumper to frame and hitch if equipped (passenger/right side pictured)



Complete Installation