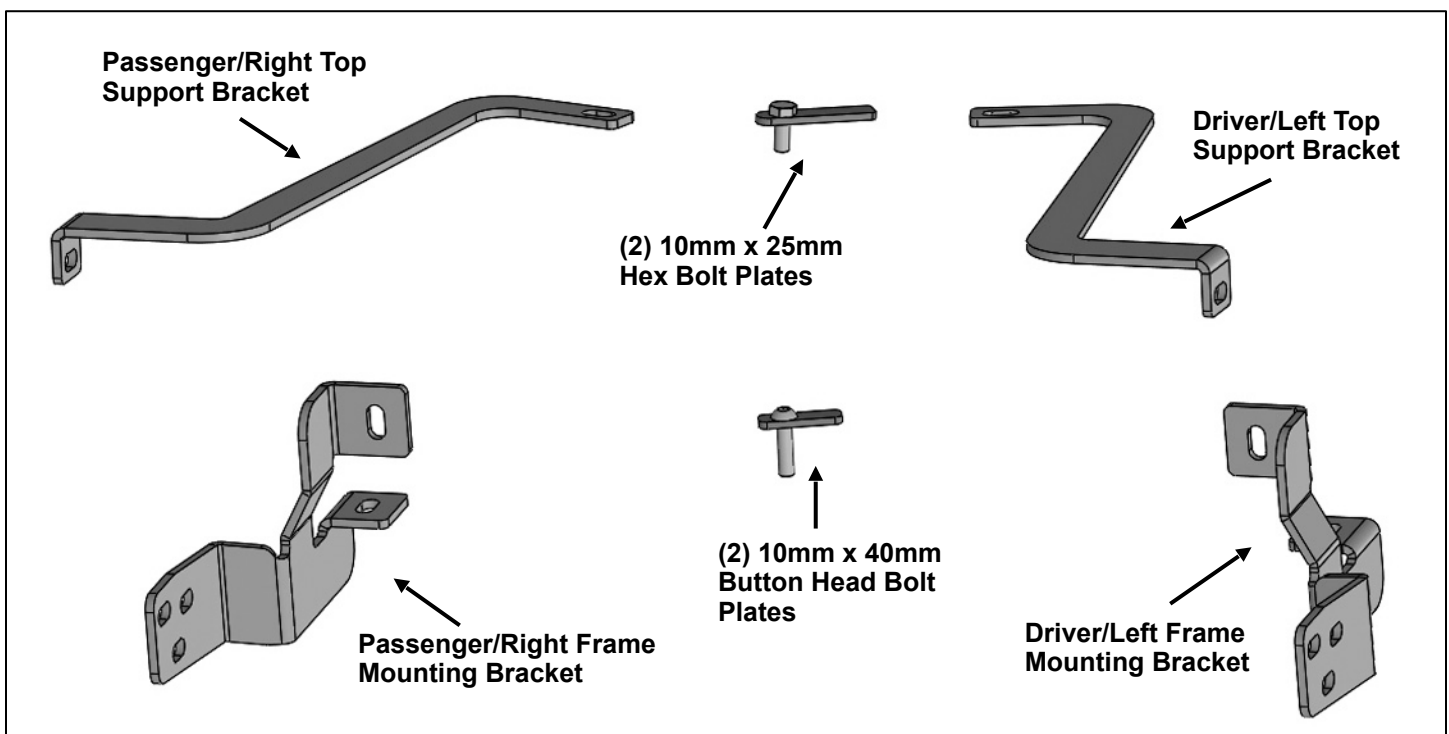


**PARTS LIST:**

1	Extreme HD Grille Guard	6	10-1.5mm x 35mm Hex Bolts
1	Driver/Left side Mounting Bracket	2	10-1.5mm x 35mm Button Head Bolts
1	Passenger/Right side Mounting Bracket	20	10mm x 27mm OD x 3mm Flat Washers
1	Driver/Left Top Support Bracket	12	10mm Lock Washers
1	Passenger/Right Top Support Bracket	12	10mm Hex Nuts
2	10mm x 40mm Button Head Bolt Plates	1	Allen Wrench 6mm
2	10mm x 25mm Hex Bolt Plates	1	Allen Wrench 4mm
4	10mm Plastic Retainers		



**PROCEDURE:**

**REMOVE CONTENTS FROM BOX. VERIFY ALL PARTS ARE PRESENT. READ INSTRUCTIONS CAREFULLY BEFORE STARTING INSTALLATION. CUTTING IS REQUIRED. ASSISTANCE IS RECOMMENDED.**

1. From under the front of the vehicle, remove the plastic front lower air dam, (**Figure 1**). Next, remove the outermost passenger side factory hex bolt on the bottom of the frame crossmember, (**Figure 2**).
2. Select (1) 10mm x 40mm Button Head Bolt Plate and Plastic Retainer, (**Figure 3**). Partially thread the Plastic Retainer onto the Bolt Plate. Insert the Bolt Plate into the large hole in the forward facing end of the frame. Thread the Plastic Retainer down tight against the frame, (**Figure 4**). **NOTE:** The Plastic Retainer is designed to hold the Bolt Plate in place during Bracket installation.
3. Select the passenger/right side Frame Bracket. Attach the top tab on the Bracket to the Bolt Plate with (1) 10mm Flat Washer, (1) 10mm Lock Washer and (1) 10mm Hex Nut, (**Figures 5 & 6**). Leave loose at this time. Reuse the factory hex bolt removed in **Step 1** to attach the lower mounting tab on the Bracket to the threaded hole on the bottom of the crossmember. Snug but do not fully tighten hardware.
4. Repeat **Steps 1—3** for Driver/Left Side Frame Mounting Bracket installation, (**Figure 7**).

**EXTREME HD GRILLE GUARD  
2016-2020 TACOMA**

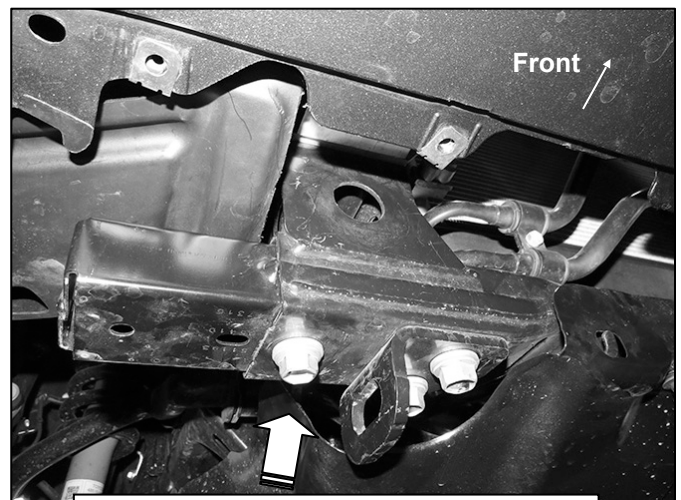
5. Open the hood of the vehicle and remove the plastic cover between the top of the radiator and the grille. Locate the steel cross-member mid-way up in front of the radiator, (**Figure 8**). Crossmember can also be viewed and accessed from below the vehicle, (**Figure 9**).
6. Locate the factory holes on the bottom of the crossmember at each end, (**Figure 9**). Select (1) 10mm x 25mm Hex Bolt Plate, (**Figure 10**). Insert the Bolt Plate through the bottom hole of the crossmember, (**Figure 11**). Thread (1) 10mm Plastic Retainer onto the Bolt Plate and up tight against the frame. **NOTE:** The Plastic Retainer is designed to hold the Bolt Plate in place during Bracket installation.
7. Repeat the previous Step to install the remaining 10mm x 25mm Hex Bolt Plate and Plastic Retainer on the other end of the crossmember, (**Figure 12**).
8. Select the Passenger/right side Top Support Bracket. Slide the Bracket through the plastic grille opening. Attach the flat end of the Top Bracket to the Bolt Plate with the included (1) 10mm Flat Washer, (1) 10mm Lock Washer and (1) 10mm Hex Nut, (**Figures 13 & 14**). Do not tighten hardware at this time.
9. Repeat **Steps 6—8** for Driver/Left Side Top Bracket installation.
10. **Vehicles equipped with Adaptive Cruise Control (ACC/TSS)**, remove the ACC window from the back of the Grille Guard using the included Allen Wrench, (**Figure 15**).
11. With assistance, position the Grille Guard onto the outside of the Mounting Brackets. Use the included (6) 10mm x 35mm Hex Bolts, (12) 10mm Flat Washers, (6) 10mm Lock Washers and (6) 10mm Hex Nuts to attach the Grille Guard to the Mounting Brackets, (**Figures 16 & 17**).
12. Line up the bent end of the passenger side Top Bracket with the corresponding hole in the upright on the Grille Guard. Bolt the Top Bracket to the Grille Guard with the included (1) 10mm x 35mm Button Head Bolt, (2) 10mm Flat Washers, (1) 10mm Lock Washer and (1) 10mm Hex Nut, (**Figures 19 & 20**). Repeat this Step to attach the Driver/Left Side Top Support Bracket to the Grille Guard, (**Figure 21**). Do not tighten hardware at this time.
13. Align the Grille Guard properly and tighten all Frame Bracket hardware only. Temporarily remove the Grille Guard.
14. Hold the air dam, (removed in **Step 1**), up in approximate location against the previously installed Frame Brackets. Trace the location of the Frame Brackets onto the back of the air dam, (**Figure 18**). Use a sharp knife or hacksaw blade to carefully cut slots out of the air dam to clear the Frame Brackets and Grille Guard. **IMPORTANT:** For best results, start with a small opening and cut as little as possible to clear the Brackets. Reinstall the air dam over the Brackets. Reinstall the Grille Guard and fully tighten all hardware.
15. Do periodic inspections to the installation to make sure that all hardware is secure and tight.

**To protect your investment**, wax this product after installing. Regular waxing is recommended to add a protective layer over the finish. Do not use any type of polish or wax that may contain abrasives that could damage the finish. Mild soap may be used to clean the Grille Guard.

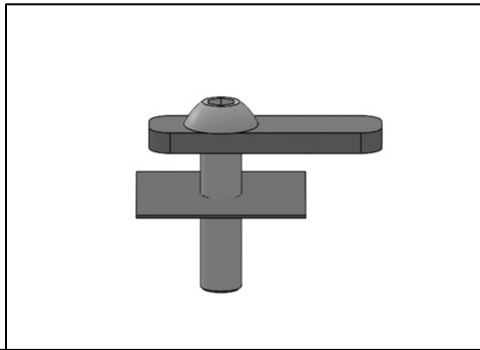
**Passenger Side Installation Pictured**



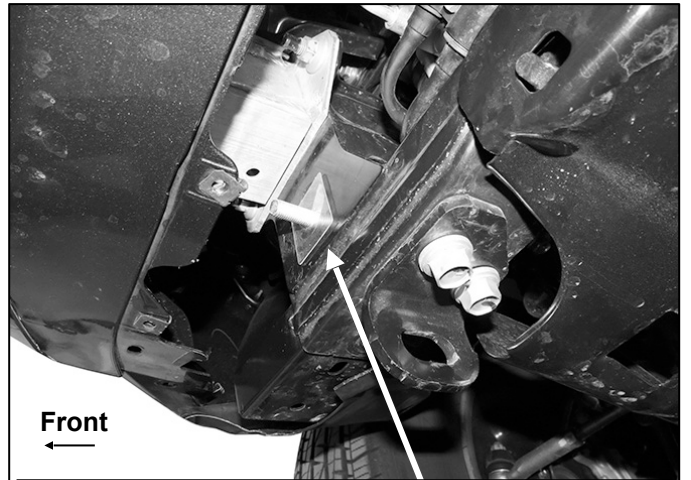
**(Fig 1) Remove air dam from bottom of bumper**



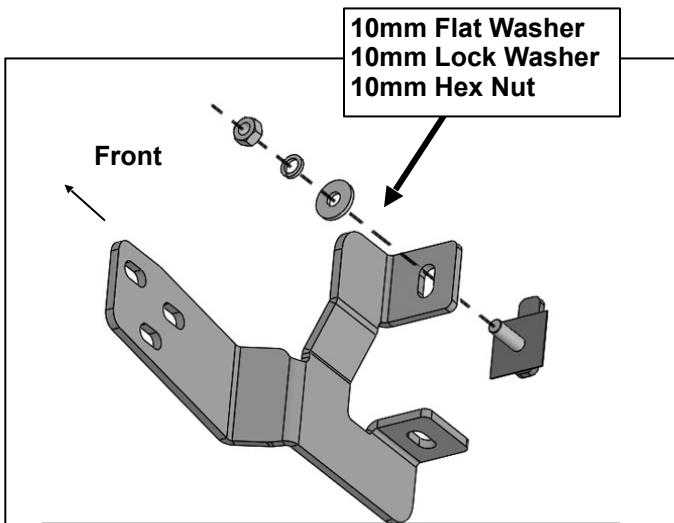
**(Fig 2) Remove factory hex bolt (arrow)**



(Fig 3) 10mm Button Head Bolt Plate

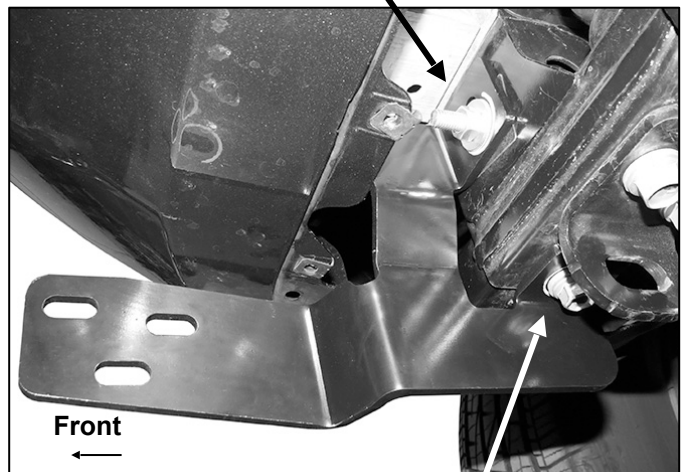


(Fig 4) Insert Bolt plate into factory hole at end of frame. Tighten Retainer to hold Bolt Plate in place

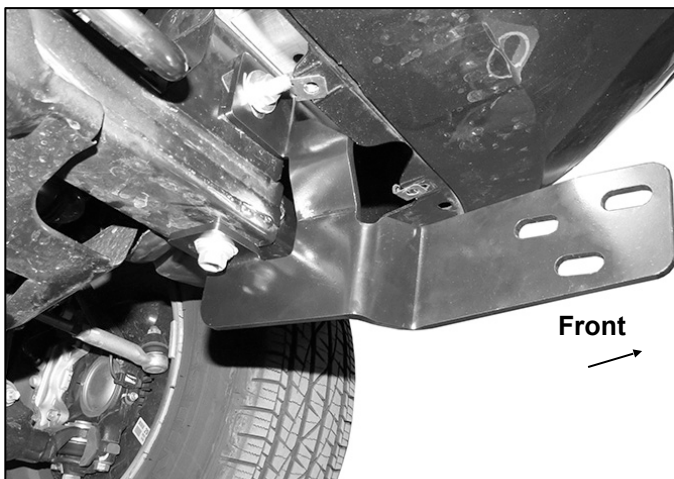


(Fig 5) Passenger/right side Frame Bracket attached to 10mm Button Head Bolt Plate

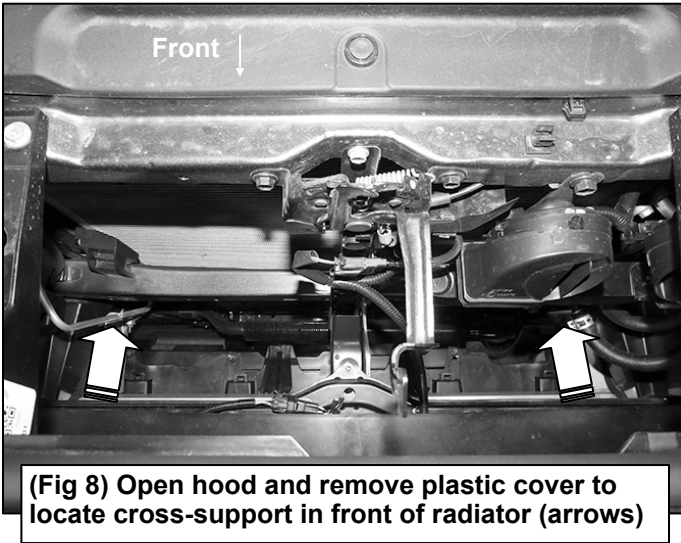
10mm Flat Washer  
10mm Lock Washer  
10mm Hex Nut



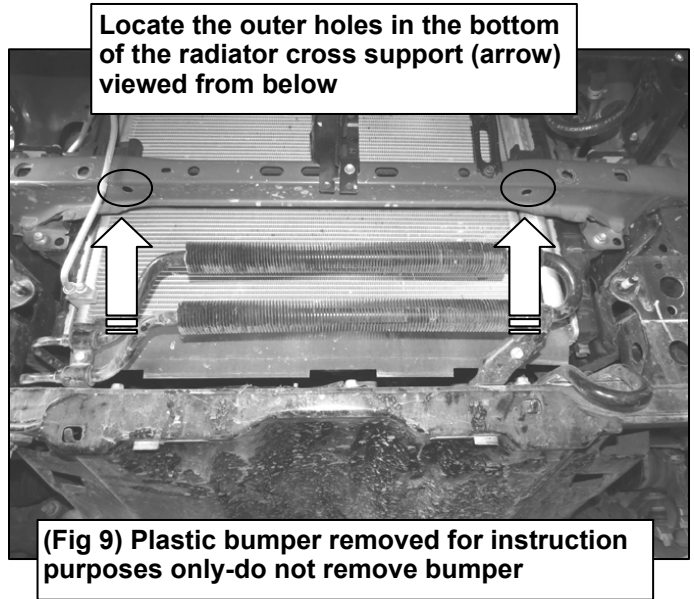
(Fig 6) Reuse factory hex bolt to attach Frame Bracket to bottom of cross-member



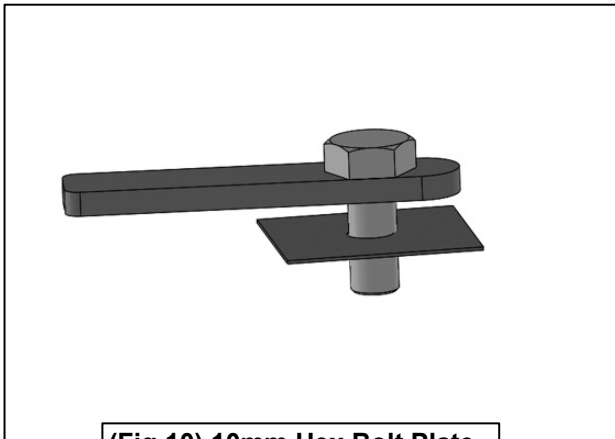
(Fig 7) Driver side Frame Bracket installed



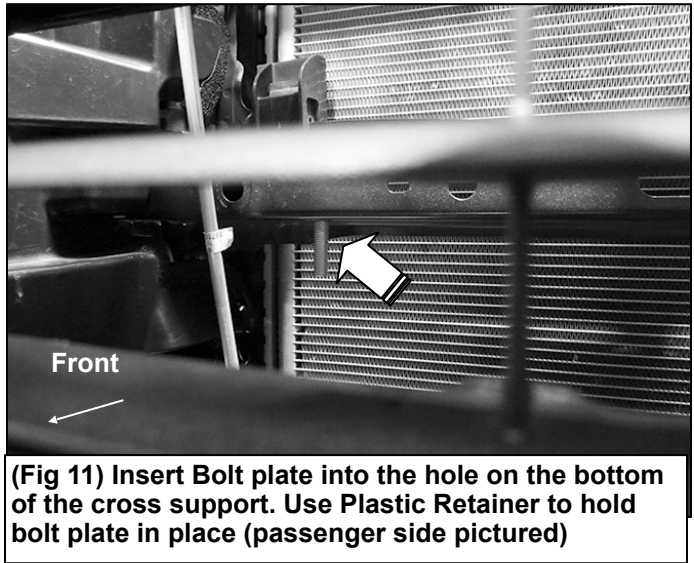
**(Fig 8) Open hood and remove plastic cover to locate cross-support in front of radiator (arrows)**



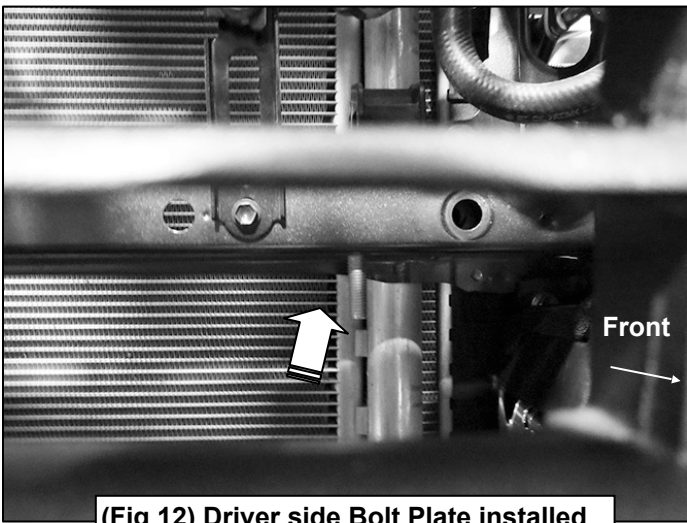
**(Fig 9) Plastic bumper removed for instruction purposes only-do not remove bumper**



**(Fig 10) 10mm Hex Bolt Plate**

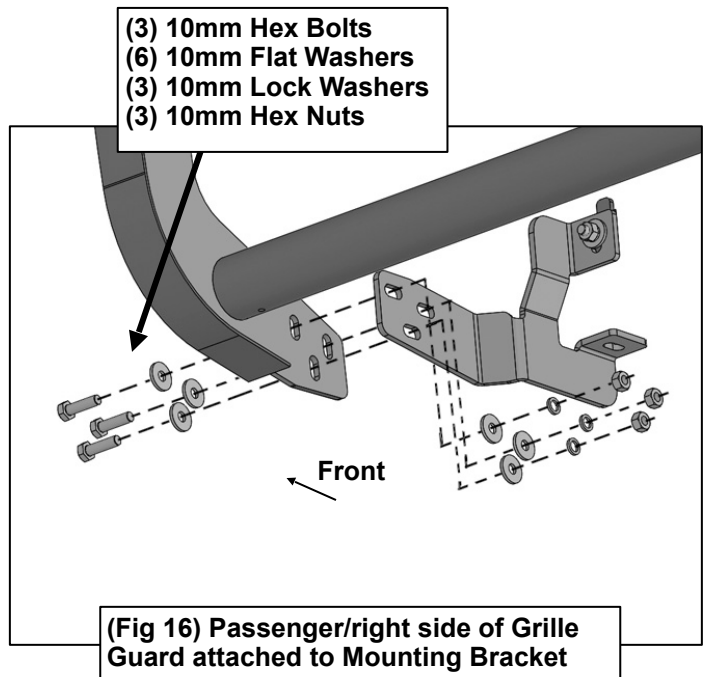
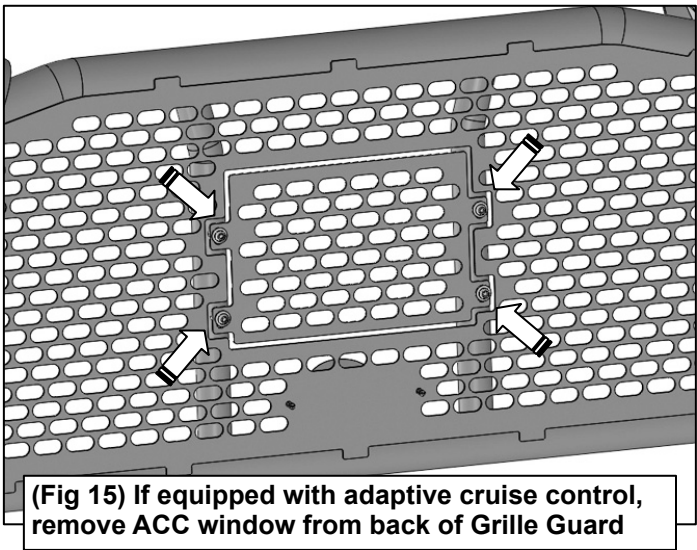
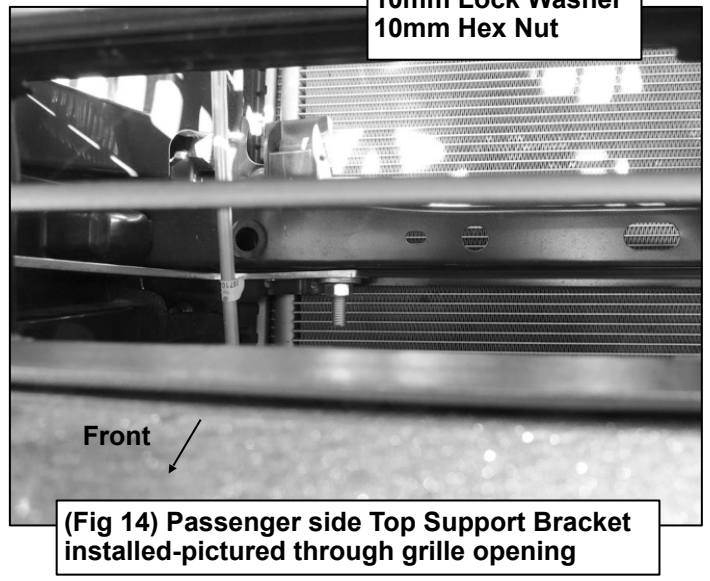
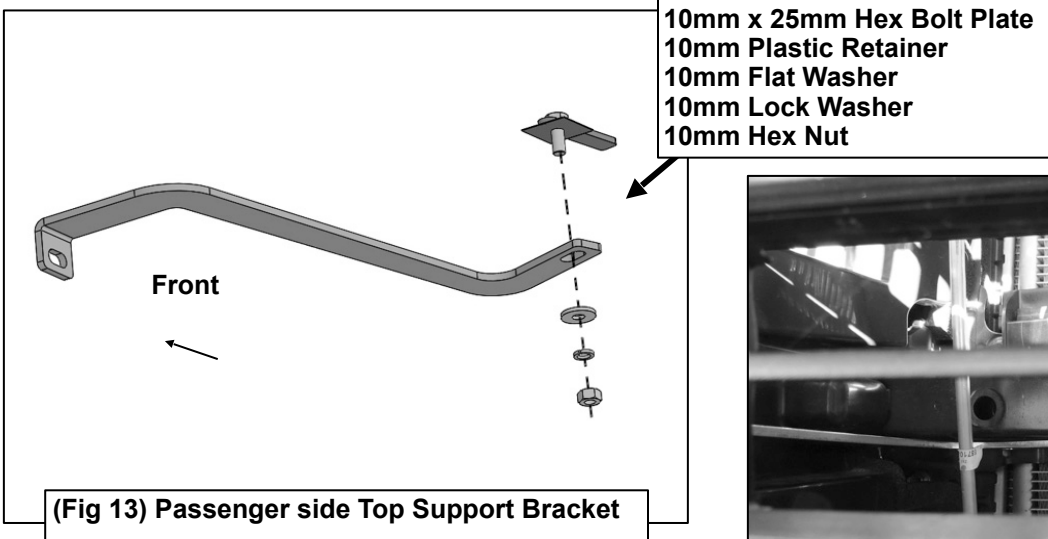


**(Fig 11) Insert Bolt plate into the hole on the bottom of the cross support. Use Plastic Retainer to hold bolt plate in place (passenger side pictured)**

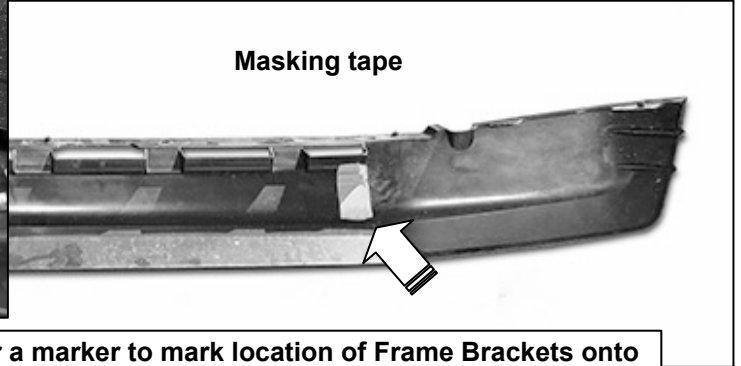


**(Fig 12) Driver side Bolt Plate installed**

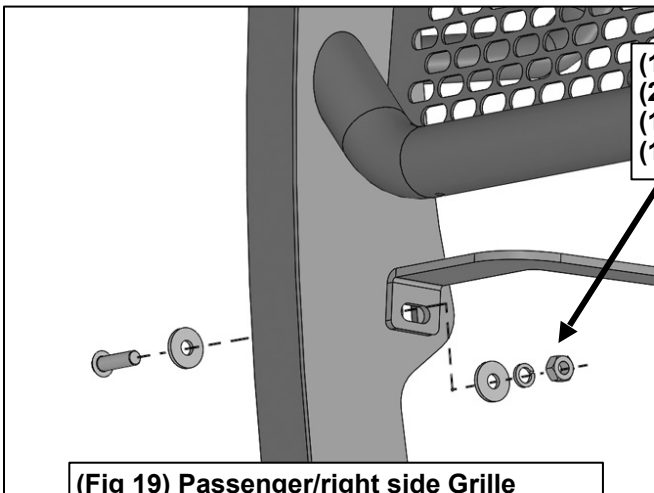
Passenger Side Installation Pictured



**(Fig 17) Attach Grille Guard to outside of Brackets**

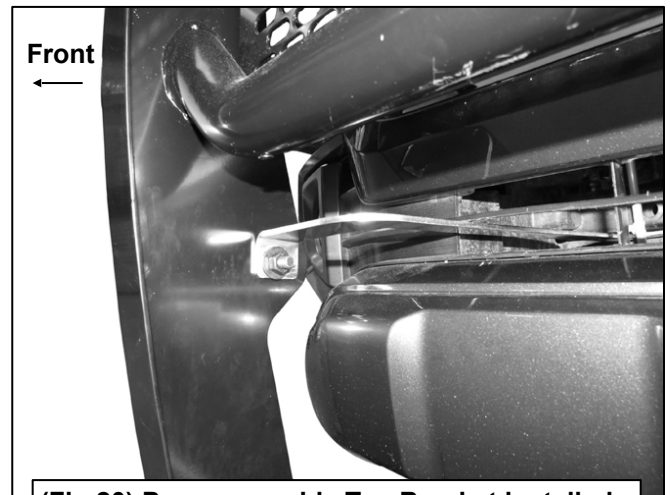


**(Fig 18) Use removable tape (masking tape) or a marker to mark location of Frame Brackets onto back of air dam (arrows). Carefully cut small openings with a sharp knife or hacksaw blade.**

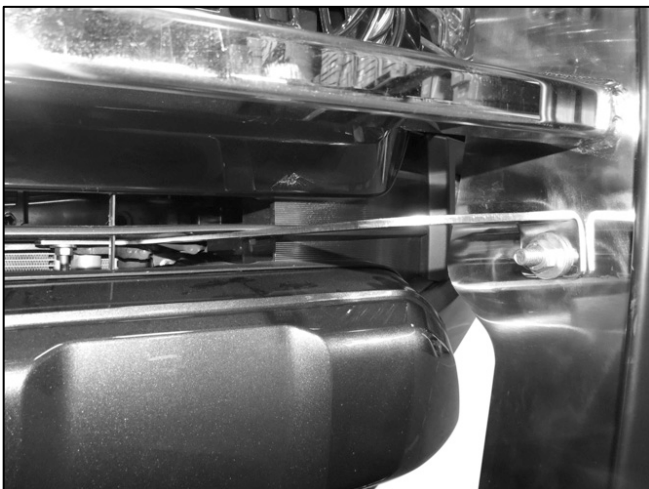


- (1) 10mm Button Head Bolt
- (2) 10mm Flat Washers
- (1) 10mm Lock Washer
- (1) 10mm Hex Nut

**(Fig 19) Passenger/right side Grille Guard attached to Top Support Bracket**



**(Fig 20) Passenger side Top Bracket installed**



**Complete  
Installation**

**EXTREME HD GRILLE GUARD  
2016-2020 TACOMA**

**(Fig 21) Driver/left side Top Bracket installed**

- (1) 10mm Button Head Bolt**
- (2) 10mm Flat Washers**
- (1) 10mm Lock Washer**
- (1) 10mm Hex Nut**

