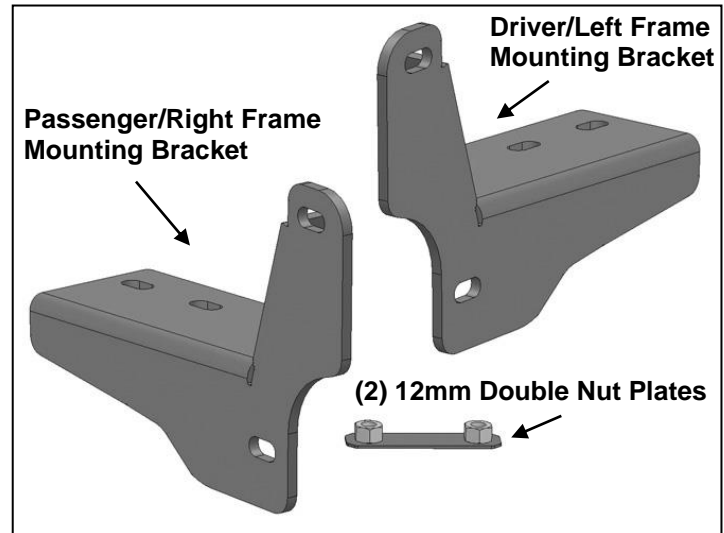


**INSTALLATION INSTRUCTIONS**  
**EXTREME HEAVY DUTY GRILLE GUARD**  
**2018—19 FORD EXPEDITION**

**PARTS LIST:**

1	Extreme Heavy Duty Grille Guard
1	Driver/left Frame Bracket
1	Passenger/right Frame Bracket
2	12-1.75mm Double Nut Plate
4	12-1.75 x 55mm Hex Bolt
4	12-1.75 x 40mm Hex Bolt
12	12mm x 32mm OD x 3mm Flat Washer
4	12mm Lock Washer
4	12mm Nylon Lock Nuts
1	2.5mm Wrench



**PROCEDURE:**

**REMOVE CONTENTS FROM BOX. VERIFY ALL PARTS ARE PRESENT. READ INSTRUCTIONS CAREFULLY BEFORE STARTING INSTALLATION. ASSISTANCE IS RECOMMENDED.**

1. Start installation at the driver/left front of the vehicle. Remove the plastic panel from the bumper, **(Figures 1 & 2)**. On models with tow hooks, the panel surrounds the tow hook.
2. Determine if the vehicle is equipped with factory tow hooks, **(Figure 1)**.

**Frame Bracket Installation on vehicles with Factory Tow Hooks:**

- a. Remove the driver/left tow hook, **(Figure 3)**. **NOTE:** Leave the factory double nut plate in position inside the frame, **(Figure 4)**.
- b. Select the driver/left Frame Mounting Bracket, **(Figure 6)**. Insert the Bracket between the tow hook and the frame.
- c. Reattach the tow hook over the Bracket with the factory bolts, **(Figure 7)**. Leave hardware loose.
- d. Repeat previous **Steps** to install the passenger/right Frame Bracket.

**Frame Bracket Installation on Models without Tow Hooks:**

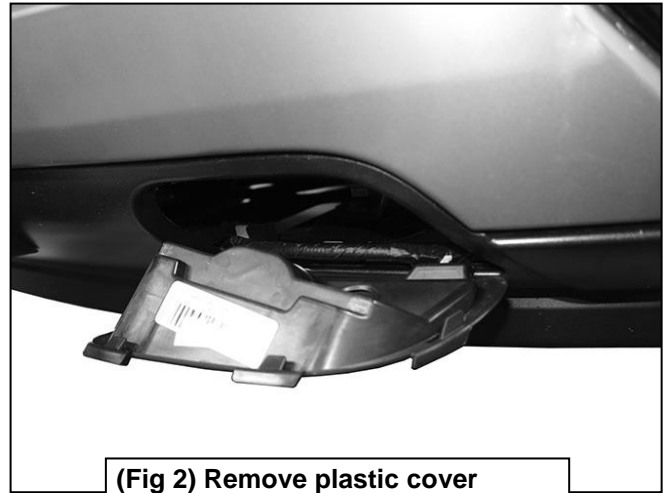
- a. Insert (1) 12mm Double Nut Plate into the end of the driver/left side of the frame, **(Figures 4 & 5)**. Use a 12mm hex bolt to line up the Nut Plate with the holes in the bottom of the frame.
  - b. Select the driver/left Frame Mounting Bracket. Attach the Bracket to the bottom of the frame and Nut Plate with the included (2) 12mm x 55mm Hex Bolts, (2) 12mm Lock Washers and (2) 12mm Flat Washers, **(Figure 6)**. Leave hardware loose at this time.
  - c. Repeat the previous **Steps** for passenger/right Frame Mounting Bracket installation.
3. With assistance, place the Grille Guard up to the outside of the Brackets. Attach the Grille Guard to the Frame Brackets with (4) 12mm x 40mm Hex Bolts, (8) 12mm Flat Washers and (4) 12mm Nylon Lock Nuts, **(Figure 8)**. Snug but do not tighten hardware at this time.
  4. Center the Grille Guard on the vehicle. Once properly adjusted, fully tighten all hardware.
  5. On models with grille mounted factory camera, remove screen covering opening in Grille Guard, **(Figure 9)**.
  6. Do periodic inspections to the installation to make sure that all hardware is secure and tight.

**To protect your investment,** Do not use any type of polish or wax that may contain abrasives that could damage the finish. Mild soap may be used to clean the Grille Guard.

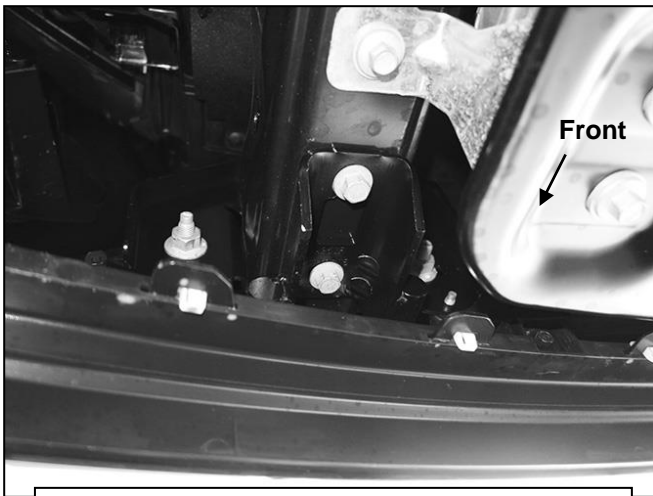
**Driver Side Installation Pictured**



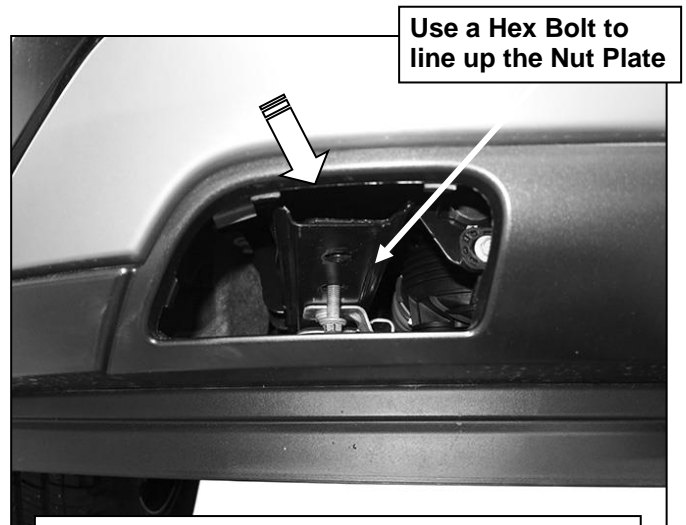
**(Fig 1) Remove plastic cover  
(model with tow hook pictured)**



**(Fig 2) Remove plastic cover  
(model without tow hook pictured)**



**(Fig 3) Remove tow hook. Mounting location  
pictured from below/behind bumper**



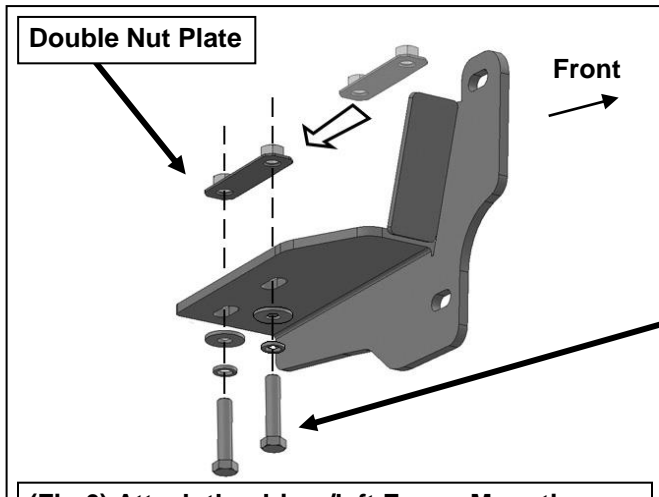
**Use a Hex Bolt to  
line up the Nut Plate**

**(Fig 4) Models with tow hooks, leave factory  
double nut plate in frame. Models without tow  
hooks, insert 12mm Double Nut Plate (Fig 5)  
into opening in frame (arrow)**



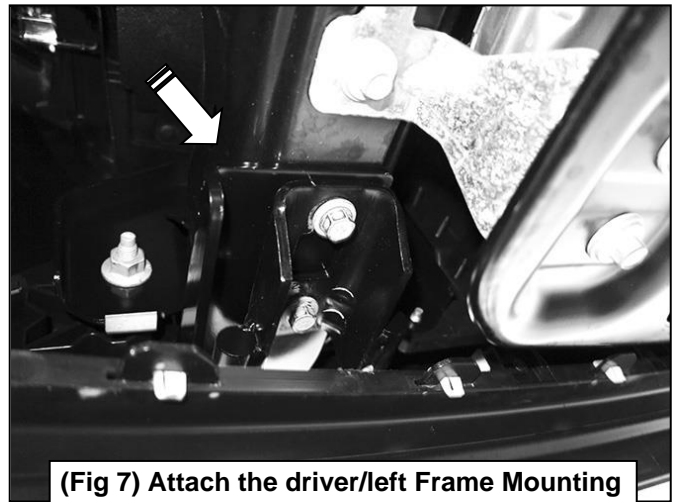
**(Fig 5) 12mm Double Nut Plate**

### Driver Side Installation Pictured

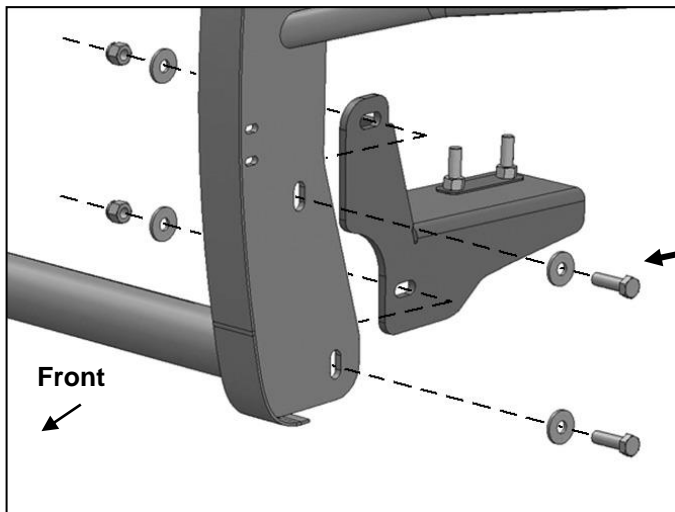


- (2) 12mm x 55mm Hex Bolts
- (2) 12mm Lock Washers
- (2) 12mm Flat Washers

**(Fig 6)** Attach the driver/left Frame Mounting Bracket to the Double Nut Plate. NOTE: Models with tow hook, reuse factory hardware

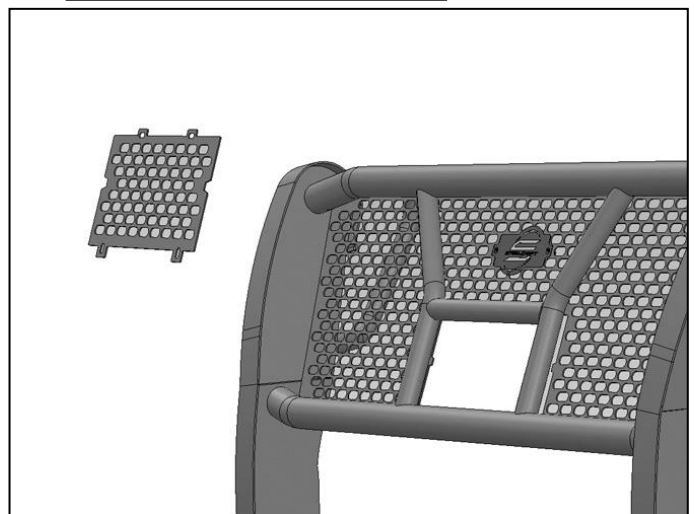


**(Fig 7)** Attach the driver/left Frame Mounting Bracket to the bottom of the frame. Reinstall tow hook (if equipped) over the Bracket



- (2) 12mm x 40mm Hex Bolts
- (4) 12mm Flat Washers
- (2) 12mm Nylon Lock Nuts

**(Fig 8)** Attach Grille Guard to outside of Frame Brackets



**(Fig 9)** Remove screen from grille for models with grille mounted camera

