

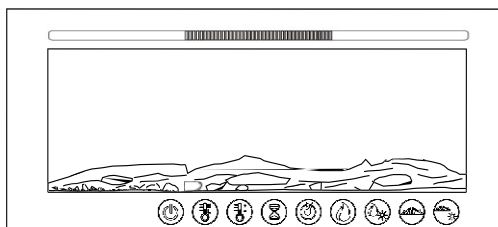


# OWNER'S MANUAL

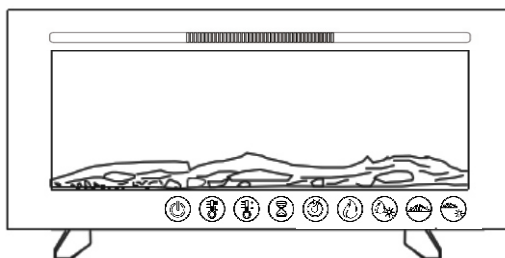
## 42" HAMILTON

### *LINEAR ELECTRIC FIREPLACE WITH HEATER*

MODEL#EFW-HT42FB



**Wall Mounted Option**



**Free Standing Option with Feet**

**⚠ WARNING**

Read and understand this entire owner's manual, including all safety information, before plugging in or using this product. Failure to do so could result in fire, electric shock, or serious personal injury.

**⚠ CAUTION**

Keep this owner's manual for future reference. If you sell or give this product away, make sure this manual accompanies this product.

NO VENTING REQUIRED  
110V AC; 60 Hz; 1300 Watts

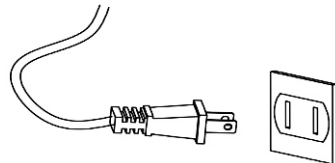
# IMPORTANT SAFETY INSTRUCTIONS!

## WARNING

- **Read all instructions before using this heater!**
- This heater is **hot when in use**. To avoid burns, **DO NOT** let bare skin touch **hot** surfaces. If provided, use handles when moving this heater. Keep **combustible materials**, such as furniture, pillows, bedding, papers, clothes, and curtains at least **3 feet (36")** from the **front of the heater**, and **keep them away from the sides and rear**.
- **Extreme caution** is necessary when any heater is used.
- **DO NOT** operate any heater with a **damaged cord or plug** or after the **heater malfunctions**, has been **dropped** or **damaged in any manner**. Discard heater, or call a certified technician for examination and or/repair.
- **DO NOT** run **power cord** under carpeting. **DO NOT** cover power cord with throw rugs, runners, or similar coverings. **DO NOT** route power cord under furniture or appliances. Arrange power cord **away from traffic area**, and where it will not be tripped over.
- **Connect to properly grounded outlets ONLY.**
- **DO NOT** insert or **allow foreign objects** to **enter any ventilation or exhaust opening**, as this may cause **electric shock, fire, or damage the heater**.
- To prevent a possible fire, **DO NOT** block air intakes or exhaust in any manner. Doing so could cause a **fire**. **DO NOT** use on soft surfaces, like a bed, where openings may become blocked.
- A heater has **hot and arcing or sparking parts inside**. **DO NOT** use it in areas where **gasoline, paint, or flammable liquids** are used or stored.
- **Use this heater only as described in this manual. Any other use not recommended by the manufacturer may cause fire, electric shock, or injury to persons.**
- **ALWAYS plug heaters directly into a wall outlet/receptacle. NEVER use with an extension cord or relocatable power tap (outlet/power strip).**
- **DO NOT place the heater near a bed** because objects such as pillows or blankets can fall off the bed and be ignited by the heater.
- **NEVER** use this heater in **bathrooms, laundry rooms**, or any other location where the heater could fall into a **bathtub** or **pool**, become damp, or **come in contact with water**.
- **AVOID FIRE!** Regularly inspect all air vents to make sure they are free from dust, lint, or other blockage. Unplug the unit and clean with a **vacuum ONLY. DO NOT** rinse or get wet.
- **NEVER** hang this unit on a wall **directly below an electrical outlet**.
- **NEVER permanently install in a recessed area of the wall**. This may result in **blocked air flow, overheating, or fire**.
- **NEVER** use a wall mount bracket from another manufacturer.
- This product can expose you to chemicals including lead and lead compounds which are known to the State of California to cause cancer and birth defects or other reproductive harm. For more information, go to **www.P65Warnings.ca.gov**.

## **WARNING**

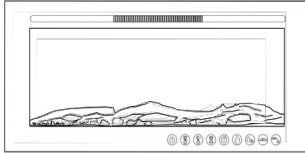


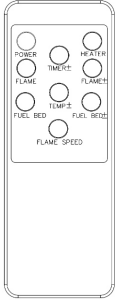



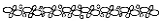

- **For residential use only! NOT for commercial use!** Any commercial or public use of this heater **voids all warranties**, and could cause **injury**.
- This product is **not intended** to be a **primary heat source**. It is for **supplemental heat only**.
- **INDOOR use only! NEVER use this heater outdoors!** Doing so may result in **electric shock!**
- **Risk of electric shock! DO NOT OPEN!** No user-serviceable parts inside!
- **NEVER modify this heater**. Doing so could result in personal **injury** or property **damage**. Modification of this fireplace **completely voids all warranties**.
- **ALWAYS** turn this heater off before unplugging it from the outlet.
- **ALWAYS disconnect** this unit from the **power supply before** performing any assembly or cleaning, or before relocating the product.
- **NEVER** leave this heater unattended. **ALWAYS** unplug this heater when not in use.
- **ALWAYS** store this heater in a dry location, **NEVER** use the product if it has become wet.
- Place the heater near a wall outlet so an extension cord is not needed.
- **ONLY** use this heater on a minimum **120V AC 15-Amp grounded circuit**. **NEVER overload the circuit**. If this heater trips the circuit breaker, or blows the fuse, unplug it and all other appliances on the same circuit before the next use.
- **NEVER** plug this heater into an outlet that is **old, cracked**, or has any **loose wires or connections**. Plugging this heater into a faulty outlet could result in **electric arcing** within the outlet that could cause the **outlet to overheat or catch fire**.
- **ALWAYS** check your heater cord and plug connections with **each use!**
  - i) **Make sure** the plug fits tight in the outlet! Faulty wall outlet connections or loose plugs can cause the outlet to overheat.
  - ii) **Heaters draw more current** than small appliances. **Overheating** may occur even if it has not occurred with the use of other appliances.
  - iii) During use **check frequently** to see if the **plug outlet or faceplate is HOT!**
  - iv) If the outlet or faceplate is **HOT, discontinue use immediately** and have a qualified electrician inspect and/or replace the faulty outlets.
- The power cord supplied with the heater has two prongs: two flat blades (live and neutral).
- **SAVE THESE INSTRUCTIONS!**



## TOOLS NEEDED (NOT INCLUDED)

 <p><b>Phillips Screwdriver</b></p>	 <p><b>Stud Finder</b></p>	 <p><b>Level</b></p>	 <p><b>Tape Measure</b></p>
 <p><b>Electric Drill</b></p>	 <p><b>1/4" Wood Drill Bit</b></p>	 <p><b>Hammer</b></p>	

## PARTS AND HARDWARE

 <p><b>Fireplace(A)</b></p>	 <p><b>7-Wood Screws(B)</b></p>	 <p><b>7-Drywall Anchors(C)</b></p>	 <p><b>Remote Control</b></p>
	 <p><b>7-Metal Washers(D)</b></p>	 <p><b>4-M6x15 Bolts(E)</b></p>	
 <p><b>Faux Log Bed (Currently Installed)</b></p>	 <p><b>Decorative Crystals (F)</b></p>	 <p><b>2-Foot Brackets(G)</b></p>	

## PREPARATION



This product includes **GLASS!** **ALWAYS** use **extreme caution** when **handling glass**. Failure to do so could result in **personal injury** or **property damage**.

- Remove all parts and hardware from the carton and place them on a clean, soft, and dry surface.



Make sure all parts are dry, and the power cord and plug are not damaged. See **IMPORTANT SAFETY INFORMATION** on pages 2 and 3.

- Compare the contents with the parts list to make sure nothing is missing.
- Dispose of all packaging materials properly.
- Please recycle whenever possible.

## **NOTE: BEFORE MOVING ON**

**STEP A:** Have two capable adults to hold the front glass panel, remove the two screws at both top corners of the fireplace with a screw driver, lift the glass up and unattach the two hooks on both bottom corners. Together, carefully remove the front glass panel and set it aside on a clean soft surface.

**STEP B:** Lift the faux log bed out, remove the packaing, and pearl cotton blocks on the sides, then put the faux log back to the media bed.

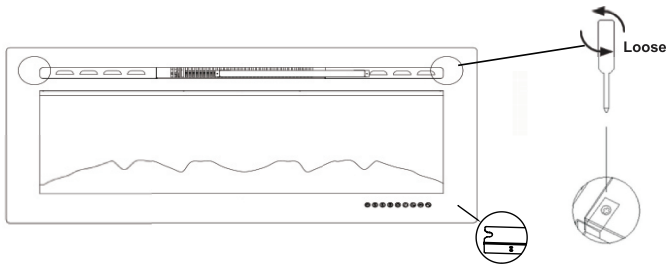
- If your heater is to be recessed to the wall, leave the appliance in a safe place and skip to Page 6. Otherwise, move on to **STEP C** and reinstall the front panel.

**STEP C:** Have two capable adults to reinstall the front glass panel, by putting the two clips on both bottom corners into place first, then tighten the two screws on both top coners.

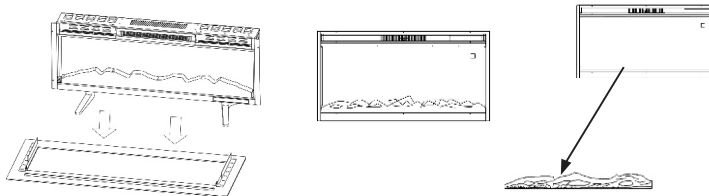


**ALWAYS** keep the decorative glass **OUT OF REACH OF CHILDREN AND PETS!** Leave **no glass pieces** where children or pets can find them. Failure to do so could cause a **choking hazard**.

**A**



**B**



The fireplace comes with the faux log bed in place and can be used as it is. To switch to decorative crystals (F), follow these same steps with two capable adults.

# INSTALLATION AND ASSEMBLY



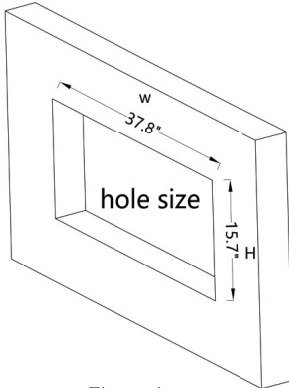
**ALWAYS unplug** this fireplace heater **before assembly, cleaning, or relocating.** Failure to do so could result in **electric shock, fire, or personal injury.**



Only qualified person can perform the installation.

## RECESSED TO WALL INSTALLATION

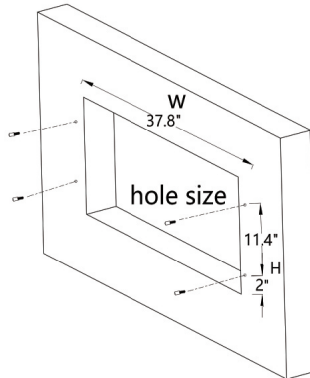
STEP 1. Select a dry wall, open a hole for fireplace box. Size of the hole as below:



-Figure I-

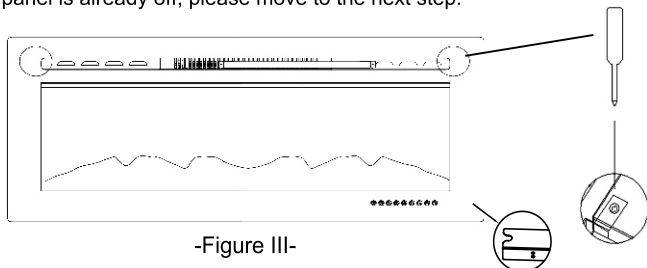
Hole Size		
Model Number	W	H
EFW-HT42FB	37.8"(96cm)	15.7" (40cm)

STEP 2. Punch 4 holes in the wall and install 4 Drywall anchors (C), please drive the anchors completely into the wall.



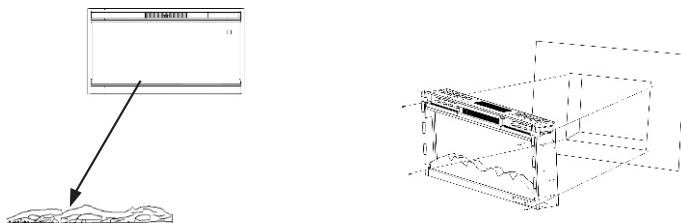
-Figure II-

STEP 3. Have two capable adults to take the front glass panel off the fireplace box, by untighten the screws on both top corners of the appliance, then lift the glass up and unattach the two hooks on both bottom corners of the appliance. Place the glass onto a soft and clean surface safely. Figure III  
 If your front panel is already off, please move to the next step.



-Figure III-

STEP 4. Remove media, fit the fireplace (without front panel) into the hole in wall. Make sure the appliance is fully recessed into the wall, then use 4 wood screws (B) to lock the appliance into wall. FigureIV

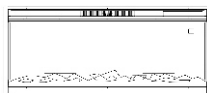


-Figure IV-

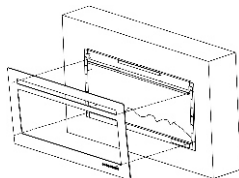
STEP 5. Install the media (faux log or decorative crystals) into place. FigureV

STEP 6. Re-install the front panel by two capable adults, hook the two clips on both bottom corners of the fireplace, then tighten the two screws on both top corners. Figure VI

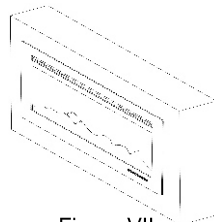
STEP 7. Fireplace is ready. FigureVII



-Figure V-



-Figure VI-



-Figure VII-

## WALL MOUNTED INSTALLATION

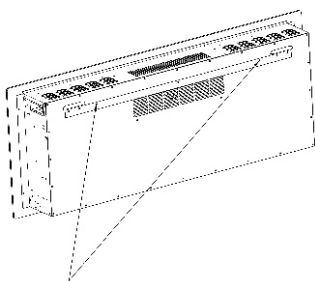


This next step involves **GLASS!** **ALWAYS** use **extreme caution** when handling **glass**. Failure to do so could result in **personal injury** or **property damage**.

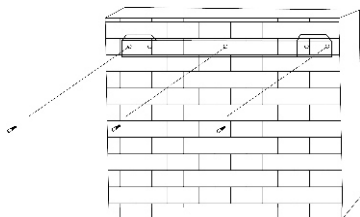


**ALWAYS** keep the decorative glass **OUT OF REACH OF CHILDREN AND PETS!** Leave **no glass pieces** where children or pets can find them. Failure to do so could cause a **choking hazard**.

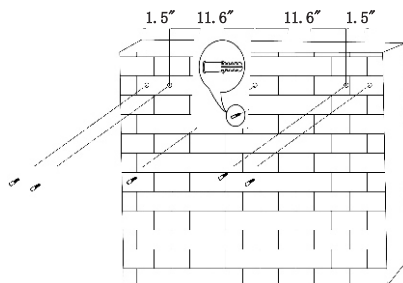
Due to various types of walls, it is highly recommended that you consult your local builder before you install this appliance on the wall.



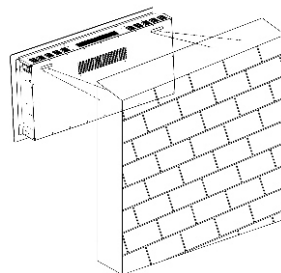
1. Untighten the two screws here and remove the hanging bar.



3. Install the hanging bar onto wall by using 5 wood screws (B). Screw them in completely.



2. Install 5 drywall anchors (C) completely into wall.



4. Have two capable adults lift the fireplace and hang it on. Make sure both ends are secured.

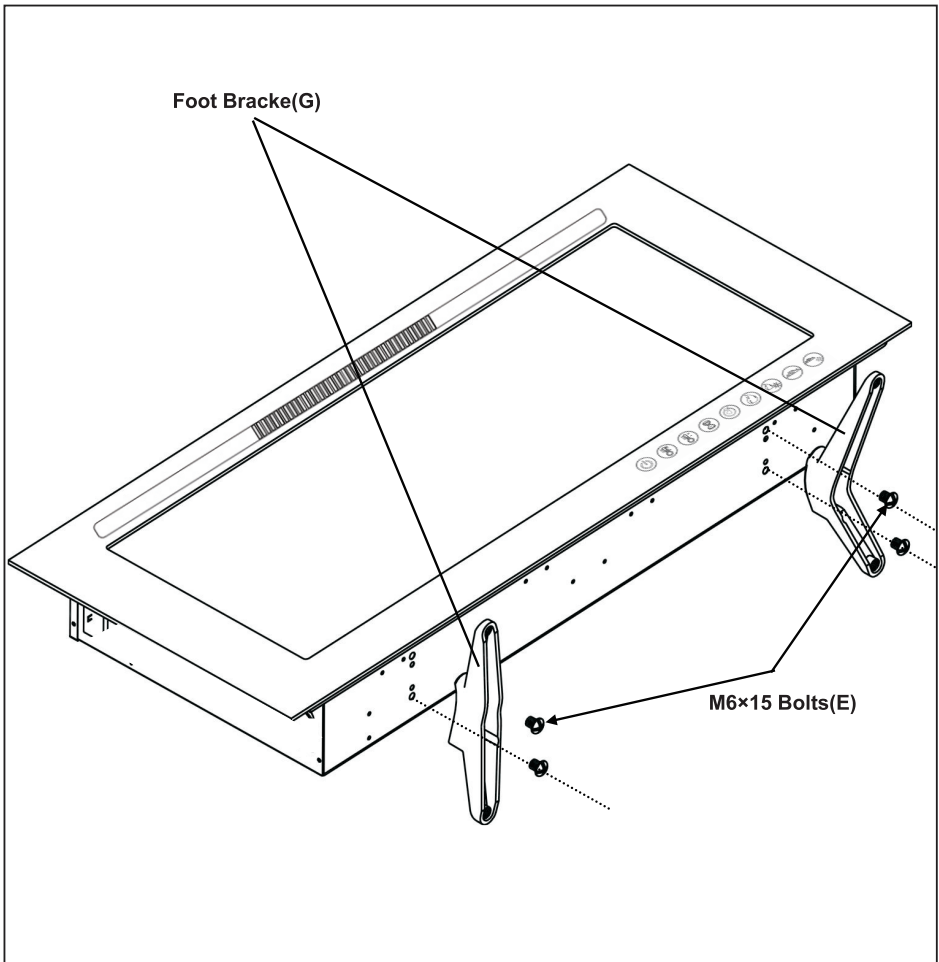


# FOOT ASSEMBLY FOR FREE STANDING OPTION

**NOTICE** WE RECOMMEND THAT TWO CAPABLE ADULTS PERFORM THIS PROCEDURE.

**STEP 1:** With the help of a capable adult, carefully lay the fireplace on a protected work surface, on its back.

**STEP 2:** Secure the **Foot Bracket(G)** to the bottom of the fireplace with two **M6x15 Bolts(E)**. Tighten each screw securely with a screwdriver. Repeat **Step 1** using remaining **Foot Bracket(G)** and two **M6x15 Bolts(E)**.



# OPERATION



**Read and understand** this entire owner's manual, including **all safety information**, **before plugging in** or **using** this product. Failure to do so could result in **electric shock**, **fire**, **serious injury**, or **death**.

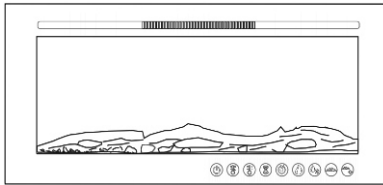
## **POWER**

Make sure the ON/OFF switch, located on the left side panel, is in the OFF position. Plug the power cord into a 110 Volt 15 Amp grounded outlet (see **IMPORTANT SAFETY INFORMATION** on **Pages 2 and 3**). Make sure the outlet is in good condition and that the plug is not loose. **NEVER** exceed the maximum amperage for the circuit. **DO NOT** plug other appliances into the same circuit.

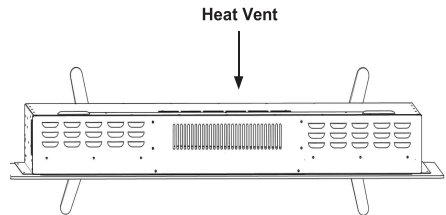
## **METHODS OF OPERATION**

This electric fireplace can be operated by the CONTROL PANEL, located on the left side panel of the fireplace (see figure below), or by the battery-powered REMOTE CONTROL. Before operating, please review the **IMPORTANT SAFETY INFORMATION** on **Pages 2 and 3**, and heed all warnings.

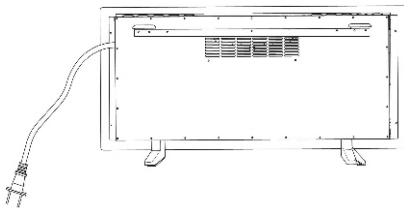
Front View



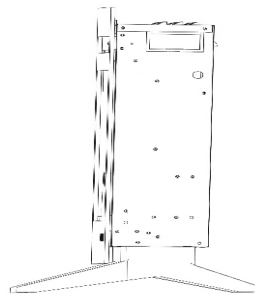
Top View



Back View












Left Side View



# CONTROL PANEL FUNCTIONS

## NOTICE

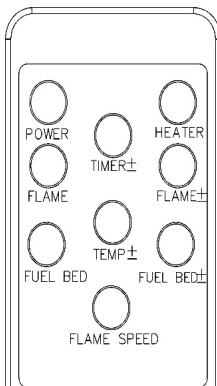
When the heat function is used for the first time, a slight odor may be present. This is normal and should not occur again unless the heater is not used for an extended period of time.

CONTROLS		FUNCTION
	POWER	<b>Press ON.</b> Power turns ON. All functions are enabled. <b>Press OFF.</b> Power, flame effect, and all functions turn off.
	HEATER	Press to turn the heater on. 'LL' indicates low with 650Watt applied; 'HH' indicates high with 1300Watt applied; '- -' indicates heater is off.
	TEMP (+/-)	Heater must be <b>ON</b> either low ('LL') or high ('HH') for the thermostat function to operate. Adjust desired temperature ranges from 64°F to 92°F. The change is +2°F by pressing this button every time.
	TIMER (+/-)	Press Timer once to increase timer setting by 1 hour increments. Timer setting ranges from 0-9 hours.
	FLAME SPEED	Use this button to adjust flame speed from 1 (min.) to 5 max.).
	FLAME	Use this button to desire flame color, 8 options indicate: 0-Flame off; 1-Red; 2-Blue; 3-Yellow; 4:Red&Blue; 5-Red&Yellow; 6-Blue&Yellow; 7-Red&Yellow&Blue
	FLAME (+/-)	Press Flame (+/-) Button to desired flame brightness. 3 options indicate: 0-Flame off; 1-Low; 2-Medium; 3-High.
	FUEL BED	Use this button to desire Media bed color, 8 options indicate: 0-Flame off; 1-Red; 2-Blue; 3-Yellow; 4:Red&Blue; 5-Red&Yellow; 6-Blue&Yellow; 7-Red&Yellow&Blue
	FUEL BED (+/-)	Use this button to desire Media bed brightness level, 4 options indicate: 0-Light off; 1-Low; 2-Medium; 3-High

# REMOTE CONTROL FUNCTIONS

## NOTICE

MAIN POWER NO THE FIREPLACE CONTROL PANEL MUST BE IN THE ON POSITION TO USE REMOTE CONTROL.

REMOTE CONTROL BUTTONS	FUNCTION
	<p><b>POWER</b></p> <p>Press <b>ON</b>. Power turns ON. All functions are enabled. Press <b>OFF</b>. Power, flame effect, and all functions turn off.</p>
	<p><b>HEATER</b></p> <p>Press to turn the heater on. 'LL' indicates low with 650Watt applied; 'HH' indicates high with 1300Watt applied; '- -' indicates heater is off.</p>
	<p><b>TEMP (+/-)</b></p> <p>Heater must be <b>ON</b> either low ('LL') or high ('HH') for the thermostat function to operate. Adjust desired temperature ranges from 64°F to 92°F. The change is +2°F by pressing this button every time.</p>
	<p><b>TIMER (+/-)</b></p> <p>Press Timer once to increase timer setting by 1 hour increments. Timer setting ranges from 0-9 hours.</p>
	<p><b>FLAME SPEED</b></p> <p>Use this button to adjust flame speed from 1 (min.) to 5 (max.).</p>
	<p><b>FLAME</b></p> <p>Use this button to desire flame color, 8 options indicate: 0-Flame off; 1-Red; 2-Blue; 3-Yellow; 4-Red&amp;Blue; 5-Red&amp;Yellow; 6-Blue&amp;Yellow; 7-Red&amp;Yellow&amp;Blue</p>
	<p><b>FLAME (+/-)</b></p> <p>Press Flame (+/-) Button to desired flame brightness. 3 options indicate: 0-Flame off; 1-Low; 2-Medium; 3-High.</p>
	<p><b>FUEL BED</b></p> <p>Use this button to desire Media bed color, 8 options indicate: 0-Flame off; 1-Red; 2-Blue; 3-Yellow; 4-Red&amp;Blue; 5-Red&amp;Yellow; 6-Blue&amp;Yellow; 7-Red&amp;Yellow&amp;Blue</p>
	<p><b>FUEL BED (+/-)</b></p> <p>Use this button to desire Media bed brightness level, 4 options indicate: 0-Light off; 1-Low; 2-Medium; 3-High</p>

## NOTICE

To improve operation, **aim** the remote control at the front of the fireplace. **DO NOT press the buttons too quickly.** Give the unit time to respond to each command.

## REMOTE CONTROL BATTERY INFORMATION

- This remote control uses Two AAA 7# battery (included).
- Instructions for battery installation are on the **Remote Control Battery** compartment.



**NEVER** dispose of batteries in **fire**. Failure to observe this precaution **may result in an explosion**. Dispose of batteries at your local hazardous material processing center.

## CARE AND MAINTENANCE



**ALWAYS** turn the heater **OFF** and **unplug the power cord from the outlet** before cleaning, performing maintenance, or moving this fireplace. Failure to do so could result in **electric shock, fire, or personal injury**.



**NEVER** immerse in **water** or **spray with water** or **other liquids (ex: cleaning solutions)**. Doing so could result in **electric shock, fire, or personal injury**.

### CLEANING

#### Metal:

- Dust using a brush or lint-free cloth, slightly dampened with a citrus oil-based product.
- **DO NOT** use brass polish or household cleaners as these will damage the metal.

#### Glass:

- Spray glass cleaner onto soft cloth (NOT directly on to glass).  
Dry thoroughly with a paper towel or lint-free cloth.
- **NEVER** use abrasive cleansers or any cleaner that could scratch the surface.

#### Plastic:

- Wipe with a slightly damp cloth and a mild solution of dish soap and warm water.
- Dry off surface.

#### Vents:

- Use a vacuum or duster to remove dust and dirt from the heater and vent areas as needed.



**Risk of electric shock! DO NOT OPEN** any panels other than the **bulb replacement plate! No user-serviceable parts inside!**

#### Electrical and Moving Parts:

- The fan motors are lubricated at the factory and will not require lubrication.
- Electrical components are integrated in the fireplace and are not serviceable by the consumer.

#### Storage:

- Store heater in a clean dry place when not in use.

## LIMITED WARRANTY

This warrants to the original purchaser that this product is free from defects in material and workmanship as of the date of purchase and that it will, under normal use and proper care, remain so for one year from the date of purchase. Missing or initially defective parts will be replaced free of charge during the period of this limited warranty. If parts are unavailable, comparable replacement or refund will be given. The original dated sales receipt is required for all warranty claims. This warranty does not cover damage which has occurred during transport from the point of purchase to the consumer's home. This warranty does not cover glass, light bulbs or batteries.

This limited warranty does not cover replacement of glass or light bulbs, shipping costs, and normal wear and tear. The following will void this limited warranty: Damage caused from misuse, tampering with, or altering the product in any manner; Damage from being used in the wrong power source; Water damage; Damage caused from being used outdoors; Damage caused from being used for extended periods of time; This warranty is limited to non-commercial residential use only. Any commercial, public, or institutional use voids all warranties. This product is not intended to be used as a primary heat source.

**This product is not intended to be used as a primary heat source. Read and understand all assembly and operating instructions, and all safety information and warnings before use.**

Dong Fang Jun Ma (hereafter DFJM) its directors, officers, or agents, will not be liable to the purchaser or any third party, whether in contract, in tort, or on any other basis, for any indirect, special, punitive, exemplary, consequential, or incidental loss, cost, or damage arising out of or in connection with the sale, maintenance, use, or inability to use this product, even if DFJM, or its directors, officers, or agents have been advised of the possibility of such losses, costs or damages, or if such losses, costs, or damages are foreseeable. In no event, will DFJM, or its officers, directors, or agents be liable for any direct losses, costs, or damages that exceed the purchase price of the product. Some states do not allow the exclusion or limitation of incidental or consequential damages, so the above limitation or exclusion may not apply to the purchaser. This limited warranty gives you specific legal rights, and you may also have other rights which vary from state to state.

Thank you for purchasing this product! If you have questions about the assembly or operation of this product, are missing parts, or have defective parts, please e-mail us at:

**[customerservice@dongfangjm.com](mailto:customerservice@dongfangjm.com)**

Or, call us toll free (M-F 8:30am to 4:30pm Central Time) at:

**1-866-273-2284**

Manufactured by:

**Dong Fang Jun Ma**

**342 Caishiji Road, Suma Park,  
Suzhou, Anhui Province.**

**MADE IN CHINA**

