

KÄRCHER

makes a difference

G 2900 E
1.107-414.0

Operator Manual

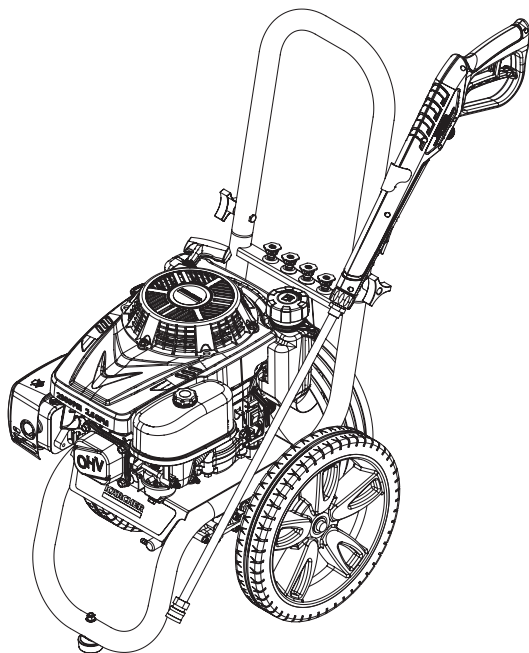
Gas Pressure Washer.....3

Manuel D'utilisation

Laveuse à pression à gaz.....19

Manual del operador

Hidrolavadora a presión de gas.....39



**Register
your product**
www.kaercher.com/welcome

Cleaner. Quicker.™

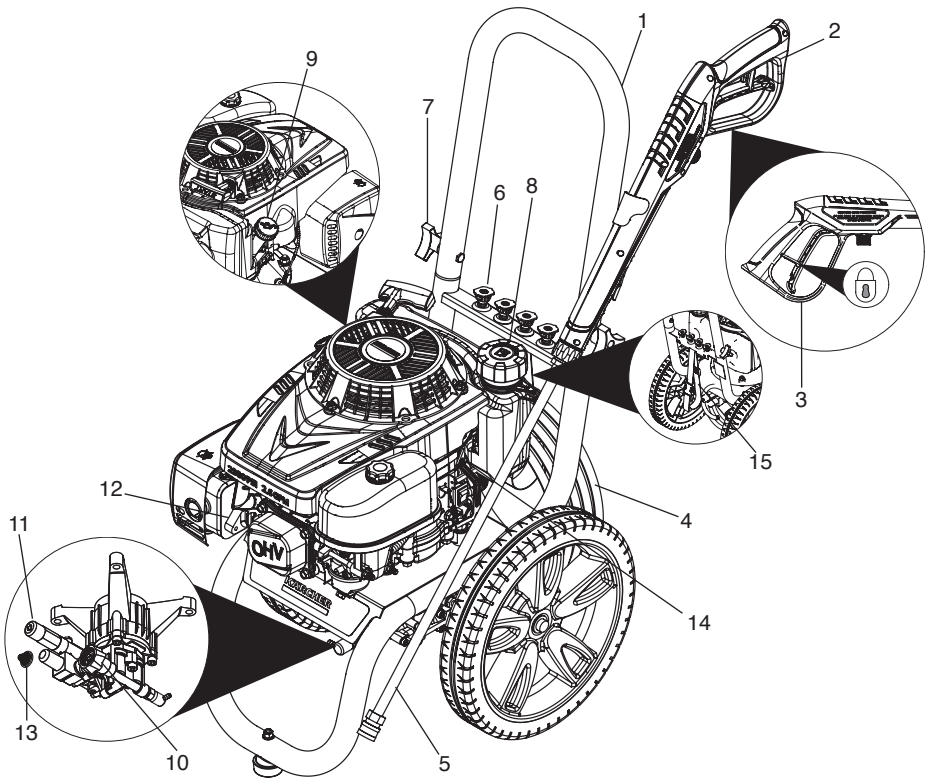


9.808-377.0 - B 08/22

MODEL OVERVIEW

- | | | | |
|---|-----------------------|----|--|
| 1 | Handle | 10 | Water inlet for garden hose |
| 2 | Spray gun | 11 | High pressure outlet |
| 3 | Spray gun safety lock | 12 | Spark plug |
| 4 | High pressure hose | 13 | Water inlet filter (installed in pump) |
| 5 | Spray wand | 14 | On/Off Switch |
| 6 | Quick connect nozzles | 15 | Strap |
| 7 | Knob | | |
| 8 | Fuel Tank | | |
| 9 | Oil Dipstick | | |

*For engine details see engine manual.



HIGH PRESSURE WASHER OPERATOR MANUAL

Model Overview	2
Important Safety Instructions	5
Assembly Instructions	7
Operating Instructions	9
Using the Accessories	10
Working With Detergents	11
Taking a Break	12
Shutting Down & Clean-Up	12
Winterizing and Long-Term Storage	12
Maintenance Instructions	13
Cleaning Tips	13
Troubleshooting	15
Warranty Information	17

Specifications

G 2900 E	
Max Pressure	2900 PSI
Max Water Flow	2.6 GPM
Detergent Suction	0.04 GPM
Engine	Karcher KPS 196cc
Fuel Type	Unleaded Gasoline
Fuel Tank Size	0.8 gal
Engine Oil Type	SAE 10W-30
Engine Oil Capacity	0.15 gal
Part No.	1.107-414.0
Nozzle - Yellow, 15 deg	2900 PSI at 2.4 GPM
Nozzle - Green, 25 deg	2700 PSI at 2.5 GPM
Nozzle - White, 40 deg	2300 PSI at 2.6 GPM
Nozzle - Black, 60 deg	400 PSI at 2.8 GPM
Nozzle kit Part No.	8.758-924.0

Proper Use

This high-pressure cleaner is designed:

- To clean machines, vehicles, buildings, tools, facades, decks, patios, driveways, walkways, garden equipment etc. (detergents may be required in some cleaning scenarios).
- To be used with accessories, replacement parts and detergents approved by KÄRCHER. Observe the instructions provided with these detergents.

Owner/User Responsibility



The packing material can be recycled.

Please do not place the packaging into the ordinary refuse for disposal, but arrange for the proper recycling.



Old appliances contain valuable materials than can be recycled. Please arrange for the proper recycling of old appliances.

Please dispose your old appliances using appropriate collection systems.

Notes About the ingredients (REACH)

You will find current information about the ingredients at:

<https://www.kaercher.com/int/inside-kaercher/sustainability/supply-chain-and-products.html>

Safety Alert Symbols

DANGER

Indication of an imminent threat of danger that will lead to severe injuries or even death.

WARNING

Indication of a potentially dangerous situation that may lead to severe injuries or even death.

CAUTION

Indication of a potentially dangerous situation that may lead to minor injuries.

ATTENTION

Indication of a potentially dangerous situation that may lead to damage to property.

HIGH PRESSURE WASHER OPERATOR MANUAL

Owner/User Responsibility

The owner and/or user must have an understanding of the manufacturer's operating instructions and warnings before using this pressure washer. Warning information should be emphasized and understood. If the operator is not fluent in English, the manufacturer's instructions and warnings shall be read to and discussed with the operator in the operator's native language by the purchaser/owner, making sure that the operator comprehends its contents. Owner and/or user must study and maintain for future reference the manufacturer's instructions.

The operator must know how to stop the pressure washer quickly, and understand the operations of all controls.

Save These Instructions

This manual should be considered a permanent part of this pressure washer and should remain with it if resold.

Read Engine Manual

Read engine manual (which is separate from this manual) before starting.

SAVE THESE INSTRUCTIONS

CUSTOMER SERVICE

Registration

Your device must be registered in order to help with any questions or issues that you have. You can register your device at www.karcher-register.com if located in the U.S.A., www.karcher.com/ca if located in Canada, or www.karcher.com/mx if located in Mexico.

Canada Customer Service

You can contact our Customer Service department by phone at **1-800-465-4980** or via the website at www.karcher.com/ca.

Warranty

In the case of a warranty claim, you can contact customer support. Please see the contact information listed below for either the USA, Canada, or Mexico. You **MUST** provide your proof of purchase in order to file a warranty claim either via email, phone, or fax.



Mexico Customer Service

You can contact our Customer Service department by phone at **01-800-024-13-13** or via the website at www.karcher.com/mx.



USA Customer Service

You can contact our Customer Service department by phone at **1-800-537-4129** or via the website at www.karcher.com/us.

IMPORTANT SAFETY INSTRUCTIONS

-   Read the operating instructions of the engine manufacturer before start-up and follow the safety instructions carefully.

WARNING

-   When using this product, basic precautions should always be followed, including the following:

- Read all instructions before using product.
- To reduce the risk of injury, close supervision is necessary when a product is used near children.
- High pressure cleaners shall not be used by children or untrained personnel.
- Know how to stop the product and bleed pressures quickly. Be thoroughly familiar with the controls.
- Stay alert - watch what you are doing.
- Do not operate when fatigued or under the influence of alcohol or drugs.
- Keep operating area clear of all persons.
- Do not overreach or stand on unstable support. Keep good footing and balance at all times.
- Follow the maintenance instructions specified in the manual.
- To avoid risks, all repairs and replacement of should only be carried out by trained personnel.

- High pressure hoses, fittings and couplings are important for the safety of the machine. Use only hoses, fittings and couplings recommended by the manufacturer.

WARNING

Risk of injection or injury, do not direct discharge stream at persons or animals.

- High pressure jets can be dangerous if misused. The jet must not be directed at persons, animals, electrical devices, or the unit itself.
- Do not direct the jet against yourself or others in order to clean clothes or foot-wear.
- Do not use the machine within range of persons unless they wear protective clothing.
- To ensure machine safety, use only original spare parts from the manufacturer or approved by the manufacturer.

DANGER

Do not spray electrical connections, electrical outlets or fixtures.

WARNING

Risk of explosion, do not spray flammable liquids. Operate only where open flame or torch is permitted.

- Do not use acids, solvents, or any alkaline or flammable material in this product. These products can cause physical injuries to the operator and irreversible damage to the machine.

IMPORTANT SAFETY INSTRUCTIONS

CAUTION

Gun kicks back - hold with both hands.

- The trigger gun safety lock prevents the trigger from accidentally being engaged. This safety feature must be engaged when replacing nozzles or not in use.

WARNING

- Risk of asphyxiation: use this product only in a well ventilated area.
- Ensure that any exhaust emissions are not in the vicinity of air intakes.
- Operate and fuel machine in a well ventilated area, free of devices featuring an open pilot or flame such as boilers, water heaters, etc.
- Running this product indoors can result in death due to carbon monoxide, a poisonous gas you cannot see or smell. Never operate indoors, even if windows and doors are open. Only use outdoor and far away from windows, doors, and openings or vents.
- During use of high pressure cleaners, aerosols may be formed. Inhalation of aerosols can be hazardous to health.
- Do not use the machine if a supply cord or important parts of the machine are damaged, e.g. safety devices, high pressure hoses, trigger gun.

WARNING

Incorrect fuels shall not be used as they may prove hazardous.

WARNING

Always switch off the On/Off switch when leaving the machine unattended.

WARNING

Risk of fire, do not add fuel when the product is operating or still hot.

CAUTION

- Do not operate if fuel has been spilled. Instead, move machine to different location and avoid creating sparks.
- This machine has hot surfaces which can cause burns. Operate in a safe environment and away from children.
- Do not touch hot surfaces or allow accessories to contact hot surfaces.
- Do not leave machine running unattended.
- Avoid tipping machine on its side.

WARNING

Serious injury can result from high pressure discharge produced by pressure washers.

Keep out of reach of children.

WARNING PROP 65

This product can expose you to chemicals including Lead and Diisononyl Phthalate, which are known to the State of California to cause cancer, birth defects or other reproductive harm. For more information, go to www.P65Warnings.ca.gov


Wash hands after handling.

SAVE THESE INSTRUCTIONS

IMPORTANT SAFETY INSTRUCTIONS

WATER SUPPLY (Cold Water Only)





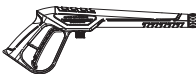


⚠ WARNING

- 

Water that has flowed through backflow preventers is considered to be non potable. Use a water filter to avoid potential damage from dirt in the water supply.
- Garden hose must be at least 5/8 inch inside diameter.
- Flow rate of water supply must not fall below 2.64 GPM (Gallons per minute) (10 L/Min (Liters per minute)).
- Flow rate can be determined by running the water for one minute into an empty 5 Gallon bucket (20 Liter container).
- Supply water pressure must be greater than 40 PSI.
- The water supply temperature must not exceed 104°F/40°C.
- Never use the pressure washer to draw in water contaminated with solvents, e.g. paint thinners, fuel, oil, etc.
- Always prevent debris from being drawn into the unit by using a clean water source. Use additional water filter.
- Do not operate pressure washer without the water turned on.

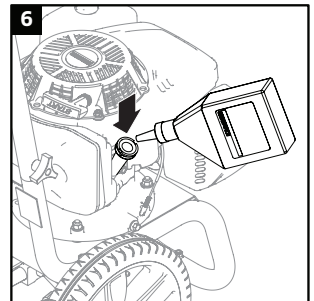
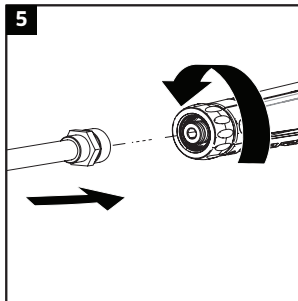
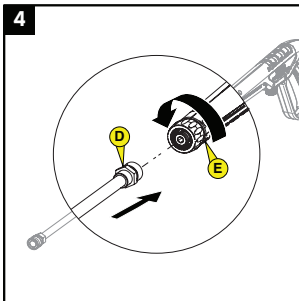
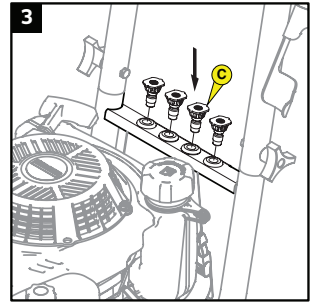
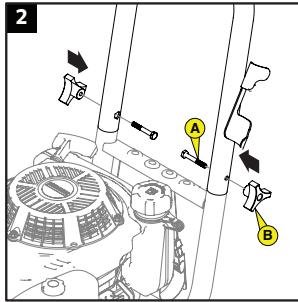
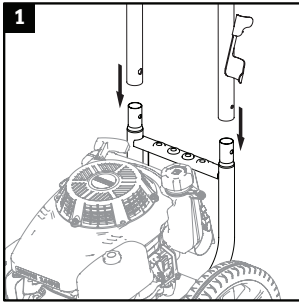
ASSEMBLY INSTRUCTIONS

Hardware (included)

	Description	Purpose	Illustration	Qty
A	Hexagonal 1/4" bolt	Handle assembly		2
B	Knob	Handle assembly		2
C	Quick connect nozzle kit	Nozzle kit assembly		1
D	Spray wand	Spray gun assembly		1
E	Spray Gun	Spray gun assembly		1
F	High pressure hose	Spray gun assembly		1
G	Detergent siphon hose	Detergent mode		1

ASSEMBLY INSTRUCTIONS

Assembling



Assembling

➔ **Illustration 1:**

Attach the handle to the pressure washer frame.

➔ **Illustration 2:**

Align holes, insert bolts (A), and tighten with knobs (B).

➔ **Illustration 3:**

Place the quick connect nozzles (C) in the nozzle holder.

➔ **Illustration 4,5:**

Attach the wand (D) to the spray gun (E). Push the wand (D) into the trigger gun (E) and then thread the connection.

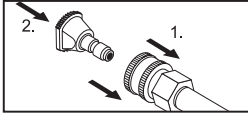
➔ **Illustration 6:**

Remove the cap / dipstick from the oil level and add the oil.

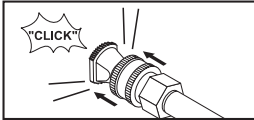
OPERATING INSTRUCTIONS

→ STEP 1:

Pull the spring-loaded collar of the wand back to insert your choice of quick connect nozzle.



Release the collar and push the nozzle until the collar clicks.



⚠ CAUTION

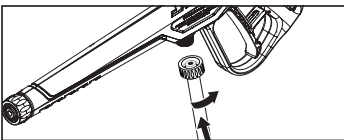
High pressure in nozzle area.

Risk of injury caused by improperly locked nozzle.

- Make sure you hear a "click" when inserting the nozzle tip into the wand.
- Pull the nozzle to make sure it is seated properly before operating your unit.

→ STEP 2:

Attach the high pressure hose to the trigger gun. Make sure to screw the hose all the way into the trigger gun.



⚠ CAUTION

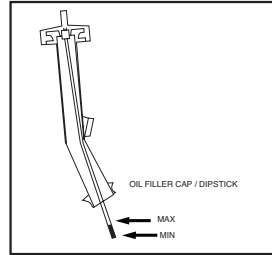
Engine shipped without oil. Before starting engine, fill with oil. Do not over-fill. Do not run the engine with a high or low oil level as this can cause engine damage.

If you have further questions regarding the engine, please refer to the engine manual included with the unit.

→ STEP 3:

Check oil level. Oil level should always be between the "MAX" and "MIN" marks on the dipstick as shown in the picture below.

Be sure the machine is level when checking the oil level. (Refer to the engines operating manual for seasonal grades).



→ STEP 4:

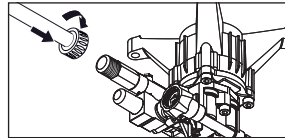
Fill gasoline tank with unleaded gasoline.

Do not use leaded gasoline. Consult engine manual for appropriate octane rating

Do not add oil to the gasoline.

→ STEP 5:

Connect the high pressure hose to the high pressure outlet on the pump.



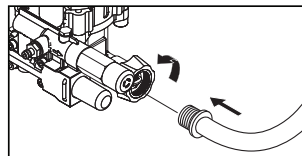
⚠ WARNING

High pressure hoses, fittings and couplings are important for the safety of the appliance.

Use only hoses, fittings and couplings recommended by the manufacturer.

→ STEP 6:

Connect garden hose to unit's water inlet.



→ STEP 7:

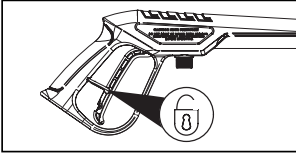
Connect garden hose to the cold water source and turn water completely on.

Do not use hot water. (Water supply temperature must not exceed 104°F/40°C).

OPERATING INSTRUCTIONS

→ STEP 10:

Pull the starter handle. If the engine fails to start after 3 pulls, squeeze the trigger gun to release pressure, and repeat step.

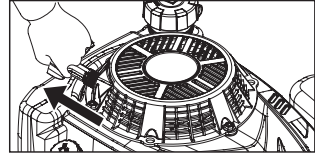
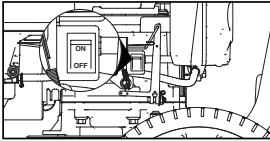


→ STEP 8:

Unlock the trigger gun safety lock. Pull Trigger gun to eliminate trapped air, wait for a steady flow of water to emerge from the spray nozzle.

→ STEP 9:

Turn On/Off switch to ON position.



⚠ WARNING

Starter cord kickback (rapid retraction) can result in bodily injury. Kickback will pull hand and arm toward engine faster than you can let go. ALWAYS relieve spray gun pressure before pulling starter cord. Pull starter cord slowly until resistance is felt, then pull rapidly.

For engine details see engine manual.

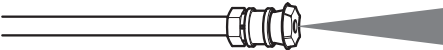
USING THE ACCESSORIES

Quick connect nozzles

The color-coded quick connect nozzles provide a wide array of spray widths from 15° to 65° and are easily accessible when placed in the convenient nozzle holder.

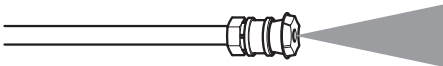
15° spray angle = Yellow nozzle

For dirt accumulation over a surface.



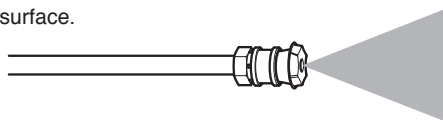
25° spray angle = Green nozzle

For dirt accumulation over a large surface.



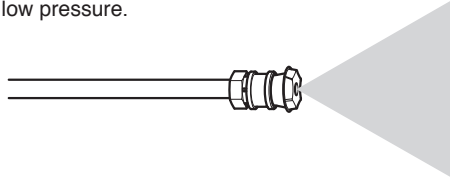
40° spray angle = White nozzle

For moderate dirt accumulation over a large surface.



65° spray angle = Black nozzle

For operating with detergents or cleaning with low pressure.



⚠ CAUTION

High pressure in nozzle area. Risk of injury caused by improperly locked nozzle.

- Make sure you hear the "click" when inserting the nozzle tip into the quick connection.
- Pull the nozzle to make sure it is seated properly before operating your unit. (See OPERATING INSTRUCTIONS: Step 1)

⚠ WARNING

To avoid serious injury never point spray nozzle at yourself, other persons, or animals.

WORKING WITH DETERGENTS

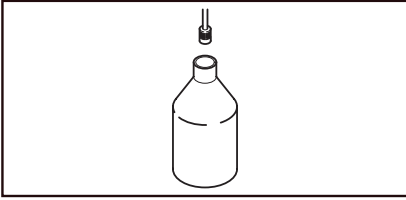
Detergents can only be applied with the black detergent nozzle.

→ STEP 1:

Install the black detergent nozzle for detergent application at low pressure.

→ STEP 2:

Fill a container with Kärcher detergent diluted according to the manufacturer's instructions. Place the filter end of the detergent suction tube into the container.



→ STEP 3:

With the engine running, pull trigger to operate unit.

Liquid detergent is drawn into the unit and mixed with water.

Apply detergent to work area.

Do not allow detergent to dry on surface.

→ STEP 4:

Always draw fresh water through the detergent suction tube when the cleaning job is done, to rinse/flush any remaining detergents from the injection system.

See Cleaning Tips for specific information on how to clean different surfaces.

Detergents

⚠ CAUTION

This unit has been designed for use with cleaning detergents recommended by the manufacturer.

The use of other cleaning detergent may affect the operation of the machine and void the warranty.

Always Use Kärcher Detergent for Best Results

Kärcher biodegradable detergents are specially formulated to protect the environment and your pressure washer. The special formula won't clog the suction tube filter and will protect the internal parts of the pressure washer for a longer life. For Kärcher Detergents, check your retailer or visit our website:

karcher.com/us or karcher.com/ca

⚠ CAUTION

Never use:

- Bleach, chlorine products or other corrosive chemicals
- Liquids containing solvents (i.e., paint thinners, fuel, oils.)
- Tri-sodium phosphate products
- Ammonia products
- Acid-based products

⚠ WARNING

The use of these chemical, when used with high pressure cleaners, can turn into an aerosol. Inhalation of chemicals that have been aerosolized can be hazardous to health.

These chemicals will harm the unit and damage the surface being cleaned.

Use of these items will void the warranty.

TAKING A BREAK ...five minutes or more

→ STEP 1:

Move the engine On/Off switch to the OFF position.

→ STEP 2:

Release trigger and engage safety lock.

SHUTTING DOWN & CLEAN-UP

→ STEP 1:

If detergents have been used, insert suction tube into 0.5 gallons (1.8 L) of fresh water.

Install the black detergent nozzle and siphon water at low pressure for one minute to clean any detergent residue in the system.

→ STEP 2:

Move the engine On/Off switch to the OFF position.

→ STEP 3:

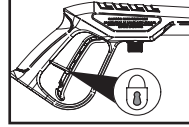
Turn off the water source.

→ STEP 4:

Press trigger to release water pressure.

→ STEP 5:

Release trigger and engage gun safety lock.



→ STEP 6:

Disconnect the garden hose from the water inlet on the unit.

→ STEP 7:

Disconnect the high pressure hose from the high pressure outlet. Store the high pressure hose in the hose holder strap.

WINTERIZING AND LONG-TERM STORAGE

It is highly recommended to use Kärcher's Pump Guard (part number 9.558-998.0 sold separately) before winter storage and during the cleaning season to protect the pump from freezing and premature wear.

→ STEP 1:

Move engine On/Off switch to OFF position.

→ STEP 2:

Disconnect all hoses.

→ STEP 3:

Unscrew cap from Pump Guard bottle.

→ STEP 4:

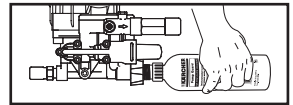
Remove internal seal.

→ STEP 5:

Reattach cap to Pump Guard bottle and remove black protective cap.

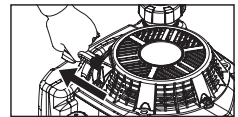
→ STEP 6:

Screw bottle into water inlet on pressure washer pump and squeeze until fluid starts to exit tue pump



→ STEP 7:

Pull starter handle until fluid starts to exit the pump's high pressure outlet



→ STEP 8:

Unscrew bottle. Store or dispose properly.

⚠ CAUTION

Failure to follow the above directions may result in damage to the pump assembly and accessories and void the warranty.

MAINTENANCE INSTRUCTIONS

Pump

Initial Use

All pumps ship with oil already inside direct from the factory. There is no need to add oil.

Pump Inspection

You should routinely make a visual inspection of the pressure washer's pump. If you notice oil leaking around the pump seals, you should take the pressure washer to a Kärcher-Authorized Service Center for repair. (You can locate a service center in your area online at: <https://www.kaercher.com/us/find-a-dealer.html> if located in the US or <https://www.kaercher.com/ca/support/services/home-and-garden.html> if located in Canada.

Pump Maintenance

The pump on your Kärcher pressure washer does not require maintenance. Any attempts to service or alter the pump may damage your pressure washer and void your product warranty.

Engine

Carry out maintenance tasks for the engine according to the specifications provided in the operating instructions provided by engine manufacturer.

CLEANING TIPS

Deck Cleaning

(With or without detergent). Pre-rinse deck and surrounding area with fresh water. If using Kärcher Multi-Purpose Cleaner (part number 9.558-144.0, sold separately), apply to surface at low pressure. For best results, limit your work area to smaller sections of approximately 25ft² (2.3m²). Allow Kärcher Multi-Purpose Cleaner to remain on surface 1-3 minutes. Do not allow detergent to dry on surface. Using the white 40 degree nozzle, rinse at high pressure in a long sweeping motion keeping the spray nozzle approximately 35 inches (90 cm) and slowly approach the surface until desired results are achieved. Make sure you are not causing any surface damage before cleaning the rest of the deck. Always clean from top to bottom and left to right. When moving on to a new section of the cleaning surface, be sure to overlap the previous section to eliminate stop marks and ensure a more even cleaning result. For more information, go to <https://www.kaercher.com/int/home-garden/know-how/cleaning-wooden-decking.html>

Cars, Boats & Motorcycles

(With or without detergent). Pre-rinse vehicle with fresh water. If using Kärcher Vehicle Wash and Wax (part number 9.558-946.0, sold separately), apply to surface at low pressure. For best results, clean one side of vehicle at a time and always apply detergent from bottom to top, do not

allow detergent to dry on surface. If needed, use special wash brush attachment (not included) to remove stubborn dirt. Using the white 40 degree nozzle, rinse at high pressure in a long sweeping motion keeping the spray nozzle approximately 35 inches (90 cm) and slowly approach the surface at no more of 25 in (60 cm) until desired results are achieved (distance should increase when rinsing pin-striping or other sensitive surfaces). Always clean from top to bottom and from left to right. For best results, wipe surface dry with a chamois or soft dry cloth. For more information, go to <https://www.kaercher.com/int/home-garden/know-how/car-care.html> and <https://www.kaercher.com/int/home-garden/know-how/motorcycle-cleaning.html>

House Siding

(With or without detergent). Pre-rinse cleaning surface with fresh water. If using Kärcher Multi-Purpose Cleaner (part number 9.558-144.0, sold separately), apply to surface at low pressure (for best results, limit your work area to sections of approximately 6 ft. (1.8m) and always apply detergent from bottom to top). Allow detergent to remain on surface 1-3 minutes. Do not allow detergent to dry on surface, if surface appears to be drying, simply wet down surface with fresh water. If needed, use special wash brush attachment (part number 8.923-682.0 Rotating Wash Brush, sold separately) to remove stubborn

CLEANING TIPS

dirt. Using the white 40 degree nozzle, rinse at high pressure in a long sweeping motion keeping the spray nozzle approximately 35 inches (90 cm) and slowly approach the surface until desired results are achieved. Make sure you are not causing any surface damage before cleaning the rest of the deck.

Cemented Patios, Brick and Stone

(With or without detergent). Pre-rinse cleaning surface with fresh water. If using Kärcher Multi-Purpose Cleaner (part number 9.558-144.0, sold separately) apply to surface at low pressure. For best results, limit your work area to smaller sections of approximately 25ft² (2.3m²). Allow Kärcher Multi-Purpose Cleaner to remain on surface 1-3 minutes. Do not allow detergent to dry on surface. Using the white 25 degree nozzle, rinse at high pressure in a long sweeping motion keeping the spray nozzle approximately 25 inches (60 cm) and slowly approach the surface until desired results are achieved. Make sure you are not causing any surface damage before cleaning the rest of the surface. Always clean from top to bottom and left to right. Always clean from top to bottom and from left to right. For removing extremely stubborn stains, use a Turbo Nozzle Spray Nozzle (part number 8.641-034.0, sold separately). For more information, go to <https://www.kaercher.com/us/home-garden/application-tips/mossy-brick-and-stone.html>

Barbecue Grills, Outdoor Power Equipment & Gardening Tools

(With or without detergent). Pre-rinse cleaning surface with fresh water. If using Kärcher Multi-Purpose Cleaner (part number 9.558-144.0, sold separately), apply detergent at low pressure. Allow Kärcher Multi-Purpose Cleaner to remain on surface 1-3 minutes. Do not allow detergent to dry on surface. Using the white 40 degree nozzle, rinse at high pressure in a long sweeping motion keeping the spray nozzle approximately 35 inches (90 cm) and slowly approach the surface until desired results are achieved. For removing extremely stubborn dirt, it may be necessary to move the spray nozzle even closer to the surface for greater dirt cutting action, make sure you are not causing any surface damage.

Patio & Lawn Furniture

(With or without detergent). Pre-rinse furniture and surrounding area with fresh water. If using Kärcher Multi-Purpose Cleaner apply to surface at low pressure. Allow Kärcher Multi-Purpose Cleaner to remain on surface 1-3 minutes. Do not allow detergent to dry on surface. If needed use special Wash Brush Attachment (part number 8.923-682.0 Rotating Wash Brush, sold separately) to remove stubborn dirt. Using the white 25 degree nozzle, rinse at high pressure in a long sweeping motion keeping the spray nozzle approximately 25 inches (60 cm) and slowly approach the surface until desired results are achieved. Make sure you are not causing any surface damage before cleaning the rest of the surface. For best results, clean from top to bottom and from left to right. For more information, go to <https://www.kaercher.com/us/home-garden/application-tips/garden-furniture-cleaning.html>

Recommendations

- Before cleaning any surface, test spray pattern and distance in an inconspicuous area.
- If painted surfaces are peeling or chipping, use extreme caution as pressure washer may remove the loose paint from the surface.
- When using on surfaces which might come in contact with food, flush surfaces with plenty of drinking water.
- For additional cleaning tips, visit our website at [kaercher.com/us](https://www.kaercher.com/us) or [kaercher.com/ca](https://www.kaercher.com/ca)

Optional Accessories

Optional accessories are available to further enhance your cleaning capabilities. These accessories are accurate as of the printing date of this manual. Please check our website:

[kaercher.com/us](https://www.kaercher.com/us) or [kaercher.com/ca](https://www.kaercher.com/ca) for pricing and up-to-date information.

- Extension Hose
- Turbo Nozzle
- 15" Surface Cleaner

TROUBLESHOOTING

CAUTION

Remove the spark plug cable to prevent accidental ignition of the engine before making any repair.

Symptom	Cause	Solution
ENGINE WILL NOT START	No gasoline	Fill gasoline tank
	Engine switch OFF	Turn engine switch to the ON position
	Water pressure built up in the machine	Squeeze the trigger to release the pressure
	For additional engine problems refer to the engine manual.	
NOT ENOUGH PRESSURE	Diameter of garden hose is too small	Replace with a 5/8" inside diameter or larger garden hose
	Water supply is restricted	Check garden hose for kinks, leaks or blockage
	Not enough inlet water supply	Turn water on full force. Check garden hose for kinks, leaks or blockage.
	Water inlet filter is clogged	Remove filter and rinse out in warm water
	Black detergent nozzle is attached	Remove black detergent nozzle and attach high pressure nozzle
OUTPUT PRESSURE VARIES HIGH AND LOW	Not enough inlet water supply.	Turn water on full force. Check garden hose for kinks, leaks or blockage
	Pump is sucking air	Check that hoses and fittings are air tight. Turn off machine and purge pump by squeezing trigger gun until a steady flow of water emerges through the nozzle
	Water inlet filter is clogged	Remove filter and rinse out in warm water
	Spray nozzle is obstructed	Blow out or remove debris with a fine needle
	Calcified gun, hose or spray wand	Run distilled vinegar through detergent suction tube.
NO DETERGENT	Detergent suction tube not properly connected to the machine	Check connection
	Detergent suction tube folded	With machine and water turned off, detach suction tube to help unfold and reattach.
	Detergent is too thick	Dilute detergent, for best results use Kärcher detergent

TROUBLESHOOTING

Symptom	Cause	Solution
NO DETERGENT	Filter on detergent suction tube is clogged	Run warm water through filter to remove debris
	Damaged or clogged detergent suction tube	Remove obstruction or replace detergent suction tube
	A high pressure nozzle is attached	Replace with black detergent nozzle
	Spray nozzle is obstructed	Blow out or remove debris with fine needle
GARDEN HOSE CONNECTION LEAKS	Loose fittings	Tighten fittings
	Missing/worn rubber washer	Insert new washer
SPRAY WAND LEAKS	Spray wand not properly attached	Turn the swivel nut of the gun clockwise until connection is tight
	Broken o-ring or plastic insert	Call listed support phone numbers in Customer Service section. Visit www.karcher-help.com or locate a service center at www.karcher.com/us or www.karcher.com/ca
PUMP IS NOISY	Not enough water supply	Check that hoses and fittings are air tight. Turn off machine and purge pump by squeezing trigger gun until a steady flow of water emerges through the nozzle
WATER LEAKS FROM PUMP (UP TO 10 DROP PER MINUTE IS PERMISSIBLE)	Loose fittings	Check fittings
	Water seals are damaged or worn.	Visit www.karcher-help.com or locate a service center at www.karcher.com/us or www.karcher.com/ca
	Thermal protection device is activated.	Thermal protection device will auto reset. Do not run pump for more than 5 minutes without spraying
OIL DRIP	Oil seals are damaged or worn	Visit www.karcher-help.com or locate a service center at www.karcher.com/us or www.karcher.com/ca

If the symptom you are experiencing is not listed above, or if the provided solutions do not solve your issue, please visit our extensive online troubleshooting database at:

www.karcher-help.com or www.karcher.com/ca/support/faqs.html

High Pressure Washers

3 Year Limited warranty

KÄRCHER

This Kärcher product is warranted by Kärcher to be free of defects in workmanship and materials under normal use.

Specific warranty applies to:

- Kärcher KPS and KXS series engines are warranted for three (3) years parts and labor and serviced by a Kärcher service center
- Honda GX series engines are warranted for three (3) years parts and labor and serviced by a Honda authorized service center
- Pumps are warranted for three (3) years parts and labor and are serviced by a Kärcher service center
- Frames, handles and detergent tanks, and other structural components, carry a three (3) year parts and labor warranty.
- **Standard accessories and attachments are warranted for a ninety (90) day period.**
- **Any commercial, industrial or rental use of this equipment will VOID the warranty.**

The warranty period is calculated from the date of purchase by the end user and covers the cost for replacement parts and/or equipment and warranty labor performed. In order to verify a warranty situation, the machine must be evaluated by an Authorized Kärcher Service Center or by an authorized service center representing the engine manufacturer. A copy of the original purchase receipt or gift receipt from the original retailer must also accompany the warranty claim. To locate the nearest authorized Kärcher service center, please visit our website at www.karcher-help.com or www.karcher.com/ca/support/faqs.html

Your device must be registered in order to help with any questions or issues that you have. You can register your device at www.karcher-register.com.

Kärcher's obligation under this warranty shall strictly be limited, at Kärcher's option, either to replace or repair, through Kärcher direct or through an Authorized Kärcher Service Dealer without charge during the warranty period any part, which in the opinion of the manufacturer, shows defect in workmanship or material. Service will be scheduled according to the normal work flow and business hours at the service center, and availability of replacement parts. All decisions of Kärcher with regard to this limited warranty shall be final.

This warranty does not cover:

- Merchandise sold as reconditioned, used, demonstration or floor models.
- Merchandise purchased on eBay and other online auction web sites.
- Damage caused by misuse, neglect, accident, abuse, improper handling, freezing, normal wear and tear or non-compliance with operator's manual.
- Damage caused by water sediment, contaminated water supply or use of chemicals and detergents not approved by or recommended by Kärcher.

WARRANTY INFORMATION

- Damage caused by acts of nature such as floods, fires, earthquakes, lightning strikes, etc.
- Devices or accessories not distributed or approved by Kärcher. Any use of such said devices or accessories will void implied warranty.
- Repairs made by the end user or any service center not authorized by Kärcher. Any such tampering with Kärcher equipment or accessories will void the implied warranty.
- Any cost for shipping by the customer or authorized service center of the alleged defective part or equipment.

This warranty is non-transferable and applies only to products purchased through a Kärcher authorized reseller in the United States and Canada . Equipment provided, but not manufactured by Kärcher such as Honda and Kohler petrol engines are subject to warranties and service through said manufacturer's service centers according to the terms and conditions provided by the respective original equipment manufacturer. Kärcher is not authorized and has no responsibility to provide warranty service for Honda. This warranty gives you specific legal rights. You may have other rights, which vary by country and state/province.

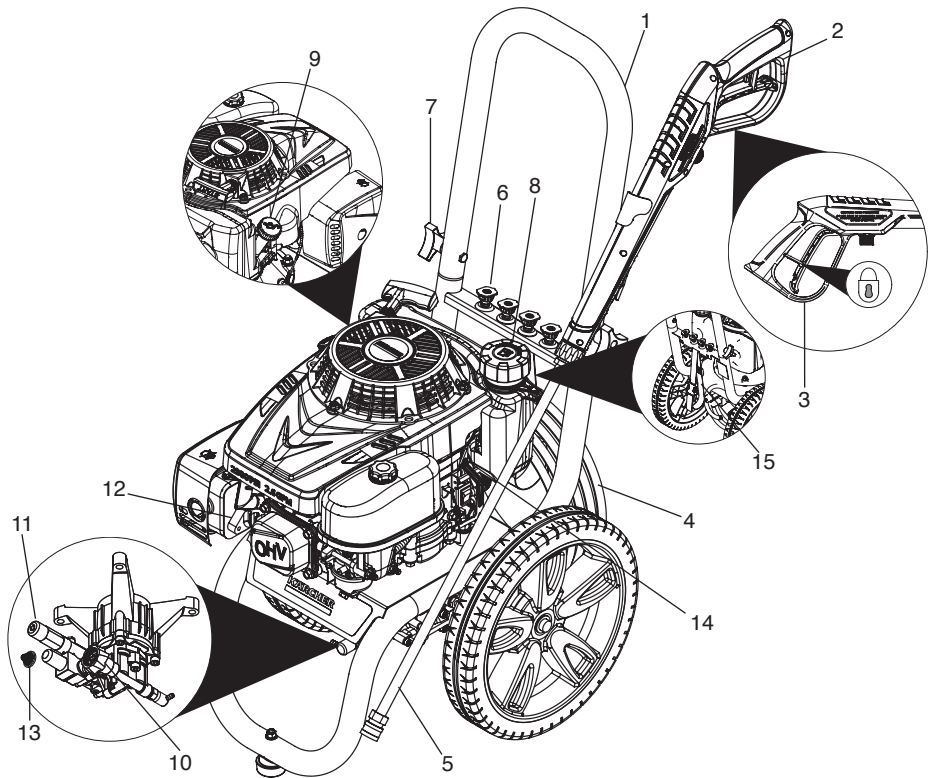
Please register online at www.karcher-register.com

Online registration is quick, free and provides you with a confirmation email for your records.

APERÇU DU MODÈLE

- | | | | |
|---|--------------------------------|----|--|
| 1 | Poignée | 10 | Entrée d'eau pour le boyau d'arrosage |
| 2 | Pistolet | 11 | Sortie haute pression |
| 3 | Verrou de sécurité du pistolet | 12 | Bougie d'allumage |
| 4 | Boyau haute pression | 13 | Filtre d'entrée d'eau (installé dans la pompe) |
| 5 | Tube de vaporisation | 14 | Interrupteur Marche/Arrêt |
| 6 | Buses à raccord rapide | 15 | Sangle |
| 7 | Bouton | | |
| 8 | Réservoir de carburant | | |
| 9 | Jauge d'huile | | |

*Voir le manuel du moteur pour les détails du moteur pour les détails du moteur



MANUEL DE L'UTILISATEUR DE LA MACHINE À LAVER À HAUTE PRESSION

Aperçu du modèle	19
Importantes Consignes De Sécurité	22
Directives d'assemblage	24
Instructions de fonctionnement	26
Utilisation des accessoires	28
Utilisation de détergents	28
Prendre une pause	29
Mise hors tension et nettoyage	30
Entreposage à long terme et pour l'hiver	30
Instructions d'entretien	31
Conseils sur le nettoyage	31
Dépannage	34
Information sur la garantie	37

Utilisation appropriée

Ce nettoyeur à haute pression est conçu pour:

- Nettoyer les machines, les véhicules, les bâtiments, les outils, les façades, les terrasses, les patios, les entrées, les allées, les équipements de jardin, etc. (des détergents peuvent être nécessaires dans certains cas).
- À utiliser avec les accessoires, les pièces de rechange et les détergents approuvés par KÄRCHER. Veuillez observer les instructions fournies avec ces détergents.

Responsabilités du propriétaire/utilisateur



Le matériel d'emballage peut être recyclé.

Veuillez ne pas jeter l'emballage dans les ordures ménagères, mais prendre les dispositions nécessaires pour le recycler.



Les vieux appareils contiennent des matériaux précieux qui peuvent être recyclés. Veuillez prendre des dispositions pour le recyclage approprié des vieux appareils. Veuillez vous débarrasser de vos vieux appareils en utilisant les systèmes de collecte appropriés.

Remarque concernant les ingrédients (REACH)

Vous trouverez des informations actuelles sur les ingrédients au:

<https://www.kaercher.com/int/inside-kaercher/sustainability/supply-chain-and-products.html>

Spécifications

G 2900 E	
Pression maximale	2900 PSI
Débit d'eau maximum	2.6 GPM
Aspiration de détergent	0.04 GPM
Moteur	Karcher KPS 196cc
Type de carburant	Essence sans plomb
Plein format du réservoir	0.8 gal
Type d'huile à moteur	SAE 10W-30
Capacité en huile du moteur	0.15 gal
No de pièce	1.107-414.0
Buse - Jaune, 15 deg	2900 PSI at 2.4 GPM
Buse - Verte, 25 deg	2700 PSI at 2.5 GPM
Buse - Blanche, 40 deg	2300 PSI at 2.6 GPM
Buse - Noir, 60 deg	400 PSI at 2.8 GPM
Kit de buses Réf.	8.758-924.0

MANUEL D'UTILISATION DU NETTOYEUR À HAUTE PRESSION

Symbole d'alerte de sécurité

DANGER

Indique «une situation à risque imminent, laquelle si elle n'est pas évitée, entraînera des blessures sérieuses ou la mort».

AVERTISSEMENT

Indique «une situation à risque potentiel, laquelle si elle n'est pas évitée, pourrait entraîner des blessures ou la mort».

MISE EN GARDE

Indique «une situation à risque potentiel, laquelle si elle n'est pas évitée, peut causer des blessures mineures ou légères, ou des dommages matériels».

AVERTISSEMENT

Indication d'une situation potentiellement dangereuse pouvant entraîner des dommages matériels.

Responsabilités du propriétaire/utilisateur

Le propriétaire et/ou l'utilisateur doivent avoir une compréhension des instructions d'utilisation et d'avertissements du fabricant avant d'utiliser cette laveuse à pression.

Les informations concernant les avertissements devraient être soulignées et comprises. Si l'opérateur ne maîtrise pas le français, les instructions et les avertissements du fabricant doivent être lus et discutés par l'acheteur/propriétaire avec l'opérateur dans sa langue maternelle, en s'assurant que l'opérateur comprenne son contenu.

Le propriétaire et/ou l'utilisateur doivent étudier et conserver les instructions du fabricant pour références futures.

Conservez ces instructions

Ce manuel doit être considéré comme faisant partie intégrante de ce nettoyeur haute pression et doit rester avec lui en cas de revente.

Lire le manuel du moteur

Lisez le manuel du moteur (qui est séparé de ce manuel) avant de démarrer.

CONSERVEZ CES INSTRUCTIONS

SERVICE À LA CLIENTÈLE

Inscription

Votre appareil doit être enregistré pour que nous puissions répondre à vos questions ou à vos problèmes. Vous pouvez enregistrer votre appareil sur le site **www.karcher-register.com** si vous êtes situé aux États-Unis, **www.karcher.com/ca** si vous êtes situé au Canada, ou **www.karcher.com/mx** si vous êtes situé au Mexique.

Garantie

Dans le cas d'une réclamation au titre de la garantie, vous pouvez contacter le service à la clientèle. Veuillez consulter les coordonnées ci-dessous pour les États-Unis, le Canada ou le Mexique. Vous DEVEZ fournir votre preuve d'achat afin de déposer une réclamation au titre de la garantie par courriel, téléphone ou télécopieur.

Service à la clientèle du USA

Vous pouvez contacter notre service à la clientèle par téléphone au **1 800-537-4129** ou par l'entremise du site Web : **www.karcher.com/us**.

SERVICE À LA CLIENTÈLE



Service à la clientèle du Canada

Vous pouvez contacter notre service à la clientèle par téléphone au **1 800-465-4980** ou par l'entremise du site Web : **www.karcher.com/ca**.



Service à la clientèle du Mexique

Vous pouvez contacter notre service à la clientèle par téléphone au **01 800-024-13-13** ou par l'entremise du site Web : **www.karcher.com/mx**.

IMPORTANTES CONSIGNES DE SÉCURITÉ

  Veuillez lire les instructions d'utilisation et suivre attentivement les consignes de sécurité du fabricant avant la mise en marche du moteur.

AVERTISSEMENT

  Lorsque vous utilisez ce produit, les précautions de base devraient toujours être suivies, incluant celles-ci :

- Lisez toutes les instructions avant d'utiliser le produit.
- Pour réduire le risque de blessures, une étroite surveillance est nécessaire lorsqu'un appareil est utilisé à proximité d'un enfant.
- Les nettoyeurs à haute pression ne doivent pas être utilisés par des enfants ou du personnel non formé
- Sachez comment rapidement arrêter et purger la pression du produit. Soyez entièrement familier avec les commandes.
- Demeurez alerte - Portez attention à ce que vous faites.
- N'utilisez pas cet appareil lorsque vous êtes fatigués ou sous l'influence d'alcool ou de drogues.
- Assurez-vous qu'il n'y ait personne dans la zone environnant l'utilisation.
- Ne travaillez pas hors de portée ou ne montez pas sur un support instable. Maintenez un bon appui et restez en équilibre en tout temps.
- Suivez les instructions d'entretien spécifiées dans le manuel.

- Pour éviter tout risque, toutes les réparations et tous les remplacements doivent être effectués par du personnel qualifié.
- Les boyaux, raccords et coupleurs haute pression sont importants pour la sécurité de l'appareil. N'utilisez que les boyaux, raccords et coupleurs recommandés par le fabricant.

AVERTISSEMENT

- Risque d'injection ou de blessures - Ne diffusez pas le jet directement sur des personnes ou les animaux.
- Les jets à haute pression peuvent être dangereux s'ils ne sont pas utilisés adéquatement. Ils ne doivent pas être dirigés directement vers des personnes, des animaux, des appareils électriques ou vers l'appareil.
 - Ne dirigez pas le jet contre vous-même ou contre d'autres personnes pour nettoyer des vêtements ou des chaussures.
 - N'utilisez pas la machine à portée de personnes à moins qu'elles ne portent des protections vêtements.
 - Pour garantir la sécurité de la machine, n'utilisez que des pièces de rechange d'origine du fabricant ou approuvé par le fabricant.

DANGER

Ne vaporisez pas les raccordements électriques, les prises de courant ou les luminaires.

IMPORTANTES CONSIGNES DE SÉCURITÉ

AVERTISSEMENT

Risque d'explosion - Ne vaporisez pas les liquides inflammables. Utilisez uniquement dans les endroits permettant les flammes nues ou les torches.

- N'utilisez pas d'acides, de solvants ou toutes matières inflammables ou alcalines avec ce produit. Ces produits peuvent causer des blessures à l'opérateur ainsi que des dommages irréversibles à l'appareil.

MISE EN GARDE

Effet de recul du pistolet – Tenez-le bien avec les deux mains.

- Le verrou de sécurité du pistolet à gâchette prévient le déclenchement accidentel de la gâchette. Cette caractéristique de sécurité doit être engagée lorsque vous remplacez les buses ou lorsqu'elles ne sont pas utilisées.

AVERTISSEMENT

- Risque d'asphyxie – Utilisez ce produit seulement dans un endroit bien aéré.
- Assurez-vous que les émissions de gaz d'échappement ne se trouvent pas à proximité des prises d'air.
- Utilisez et remplissez l'appareil avec du carburant dans un endroit bien aéré, libre d'appareils disposant d'une flamme pilote ou d'une source de flamme telle chaudière, chauffe-eau, etc.
- L'utilisation de ce produit à l'intérieur peut entraîner la mort en raison du monoxyde de carbone, un gaz toxique que vous ne pouvez ni voir ni sentir. N'utilisez jamais l'appareil à l'intérieur, même si les fenêtres et les portes sont ouvertes. Utilisez uniquement à l'extérieur et loin des fenêtres, des portes et des ouvertures ou des événements.
- Lors de l'utilisation de nettoyeurs à haute pression, des aérosols peuvent se former. L'inhalation d'aérosols peut être dangereuse pour la santé.

- Ne pas utiliser l'appareil si le cordon d'alimentation ou des pièces importantes de la machine sont endommagés, par ex. dispositifs de sécurité, boyaux haute pression, gâchette.

AVERTISSEMENT

Des carburants inappropriés ne doivent pas être utilisés, car ils peuvent s'avérer dangereux.

AVERTISSEMENT

Couper toujours l'interrupteur marche/arrêt lorsque vous laissez la machine sans surveillance.

AVERTISSEMENT

Risque d'incendie – N'ajoutez pas de carburant lorsque l'appareil est en marche ou chaud.

MISE EN GARDE

- N'utilisez pas l'appareil si du carburant a été renversé. Déplacez l'appareil dans un autre endroit et évitez de provoquer des étincelles.
- Cet appareil comporte des surfaces chaudes pouvant causer des brûlures. Utilisez dans un environnement sécuritaire et éloigné des enfants.
- Ne touchez pas aux surfaces chaudes ou ne laissez pas les accessoires entrer en contact avec les surfaces chaudes.
- Ne laissez pas l'appareil en marche sans surveillance.
- Évitez de basculer l'appareil sur le côté.

AVERTISSEMENT

Des blessures graves peuvent résulter de la décharge à haute pression produite par les nettoyeurs laveur à pression

Garder hors de la portée des enfants.

AVERTISSEMENT: PROP 65

Ce produit peut vous exposer à des produits chimiques tels que le plomb et le phthalate de diisononyl, connus par l'état de Californie

IMPORTANTES CONSIGNES DE SÉCURITÉ

pour causer le cancer, des malformations congénitales ou d'autres problèmes de reproduction. Pour plus d'informations, visitez www.P65Warnings.ca.gov


Se laver les mains après la manipulation.

CONSERVEZ CES INSTRUCTIONS

IMPORTANTES CONSIGNES DE SÉCURITÉ

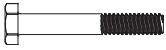


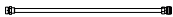



Alimentation d'eau (eau froide uniquement)

AVERTISSEMENT

-  L'eau qui a traversé les clapets anti-retour est considérée comme non potable. Utilisez un filtre à eau pour éviter les dommages potentiels dus à la saleté dans l'alimentation en eau.
- Le boyau d'arrosage doit avoir un diamètre interne d'au moins 1,58 cm (5/8 po)
- Le débit en alimentation d'eau ne doit pas être inférieur à 10 lpm (litre par minute) (2,64 gpm - gallons par minute).
- Le débit peut être déterminé en faisant couler l'eau pendant une minute dans un contenant vide de 18,9 litres (5 gallons).
- La pression d'alimentation en eau doit être supérieure à 40 PSI.
- La température en alimentation d'eau ne doit pas être supérieure à 104 °F/40 °C.
- N'utilisez jamais la laveuse à pression pour puiser de l'eau contaminée avec des solvants, par exemple du diluant à peinture, du carburant, de l'huile, etc..
- Veuillez toujours empêcher les débris d'être aspirés dans l'appareil en vous assurant d'utiliser une source d'eau propre. Utilisez un filtre à eau additionnel.
- N'utilisez pas la laveuse à pression sans que le robinet d'eau ne soit ouvert.

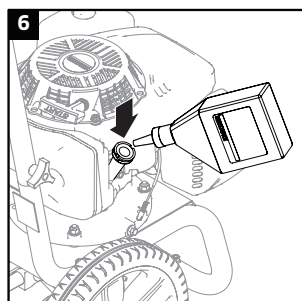
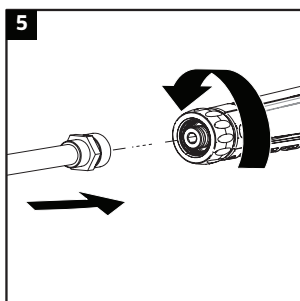
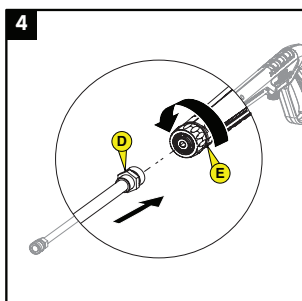
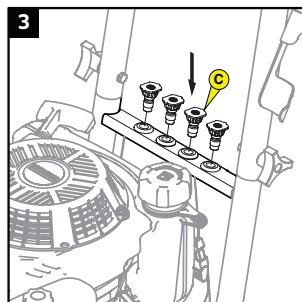
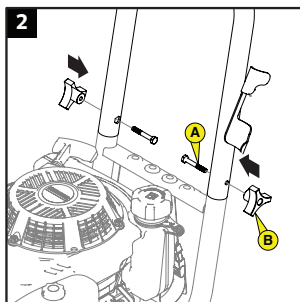
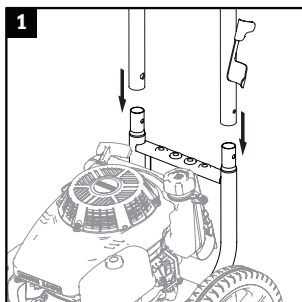
DIRECTIVES D'ASSEMBLAGE

Matériaux (compris)

	Description	Usage	Illustration	Quantité
A	Boulon à tête hexagonale ¼ po	Assemblage de la poignée		2
B	Bouton	Assemblage de la poignée		2
C	Trousse d'assemblage Raccord rapide Buse Trousse	Assemblage du kit de buses		1
D	Tube-rallonge	Assemblage du pistolet pulvérisateur		1
E	Pistolet pulvérisateur	Assemblage du pistolet pulvérisateur		1
F	Tuyau haute Pressior	Assemblage du pistolet pulvérisateur		1
G	Syphon à détergent boyau	Mode détergent		1

DIRECTIVES D'ASSEMBLAGE

Assemblage



DIRECTIVES D'ASSEMBLAGE

Assemblage

→ **Illustration 1:**

Fixer la poignée au cadre de la machine à laver à pression.

→ **Illustration 2:**

Aligner les orifices, insérer les boulons (A) et serrer avec les boutons (B).

→ **Illustration 3:**

Placer les buses à raccord rapide (C) dans le porte-buse.

→ **Illustration 4,5:**

Fixer le tube-rallonge (D) au pistolet pulvérisateur (E).

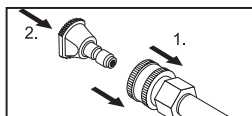
→ **Illustration 6:**

Retirer le bouchon / la jauge d'huile du niveau d'huile et ajouter l'huile.

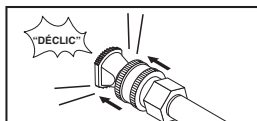
INSTRUCTIONS DE FONCTIONNEMENT

→ ÉTAPE 1:

Tirer le col à ressort du tube-rallonge vers l'arrière pour insérer la buse à raccord rapide de votre choix.



Relâcher le col et pousser la buse jusqu'à ce que le col effectue un dé clic.



⚠ MISE EN GARDE

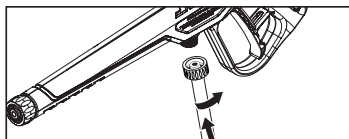
Haute pression dans la zone de la buse.

Risque de blessures causées par une buse mal verrouillée.

- S'assurer qu'un «dé clic» se fait entendre lorsque l'embout de buse est inséré dans le tube-rallonge.
- Tirer sur la buse pour s'assurer qu'elle repose correctement en place avant d'utiliser l'appareil.

→ ÉTAPE 2:

Fixer le boyau haute pression au pistolet déclencheur. Veillez à visser le tuyau à fond dans le pistolet à gâchette.



⚠ MISE EN GARDE

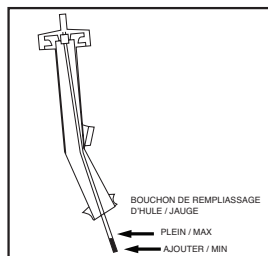
Le moteur est expédié sans huile. Remplir le carter d'huile avant de démarrer le moteur. Ne pas trop remplir. Ne pas faire fonctionner le moteur si le niveau d'huile est trop haut ou trop bas puisque cela pourrait endommager le moteur.

Pour toute autre question au sujet du moteur, veuillez consulter le manuel du moteur compris avec l'appareil included with the unit.

→ ÉTAPE 3:

Vérifier le niveau d'huile. Le niveau d'huile doit toujours être aux marques « PLEIN » et « AJOUTER » ou « MAX » et « MIN » de la jauge, comme illustré ci-après.

S'assurer que la machine est au niveau lors de la vérification du niveau d'huile. (Consulter le manuel de fonctionnement des moteurs pour connaître les types saisonniers d'huile).



→ ÉTAPE 4:

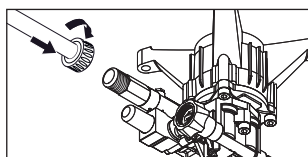
Remplir le réservoir de carburant avec de l'essence sans plomb.

Ne pas utiliser d'essence au plomb. Consulter le manuel du moteur pour connaître l'indice d'octane approprié.

Ne pas ajouter d'huile à l'essence.

→ ÉTAPE 5:

Raccorder le boyau haute pression au port de sortie haute pression de la pompe.



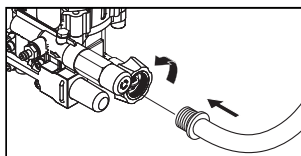
⚠ AVERTISSEMENT

Les flexibles, raccords et raccords haute pression sont importants pour la sécurité de l'appareil.

Utilisez uniquement les flexibles, raccords et raccords recommandés par le fabricant.

→ ÉTAPE 6:

Raccorder le boyau d'arrosage à l'entrée d'eau de l'appareil.



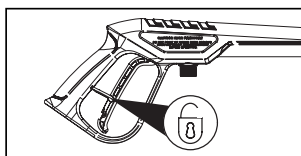
→ ÉTAPE 7:

Raccorder le boyau d'arrosage à la source d'eau froide et ouvrir l'eau complètement.

Ne pas utiliser d'eau chaude. (La température de l'alimentation en eau ne doit pas dépasser 104 °F/40 °C).

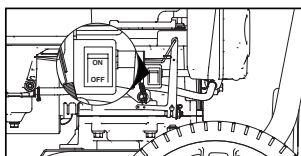
→ ÉTAPE 8:

Déverrouiller le verrou de sécurité du pistolet déclencheur. Tirer sur le déclencheur pour éliminer l'air emprisonné; attendre qu'un débit d'eau régulier se dégage de la buse de pulvérisation.



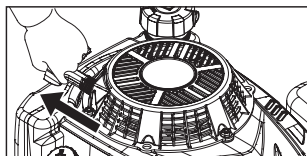
→ ÉTAPE 9:

Ouvrir la soupape de carburant. Déplacer l'interrupteur Marche/Arrêt du moteur en position de marche (ON).



→ ÉTAPE 10:

Tirer sur la poignée du démarreur. Si le moteur ne démarre pas après 3 tentatives, serrer le pistolet déclencheur pour relâcher la pression, puis répéter l'étape.



⚠ AVERTISSEMENT

Le rebond du cordon de démarrage (rétraction rapide) peut entraîner des blessures corporelles. Le recul tirera la main et le bras vers le moteur plus rapidement que vous ne pouvez le lâcher. Relâchez TOUJOURS la pression du pistolet pulvérisateur avant de tirer le cordon du démarreur. Tirez lentement le cordon de démarrage jusqu'à ce que vous sentiez une résistance, puis tirez rapidement.

Voir le manuel du moteur pour les détails du moteur.

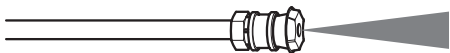
UTILISATION DES ACCESSOIRES

Buses à raccord rapide

Cet appareil a été conçu pour être utilisé avec les détergents de nettoyage recommandés par le fabricant. L'utilisation de d'autres détergents, peut affecter le fonctionnement de l'appareil et annuler la garantie.

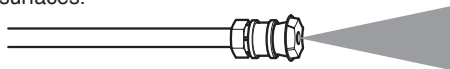
Angle de vaporisation à 15° = Buse jaune

Pour une accumulation de saleté sur des surfaces.



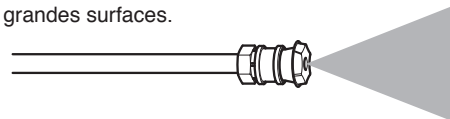
Angle de vaporisation à 25° = Buse verte

Pour une accumulation de saleté sur de grandes surfaces.



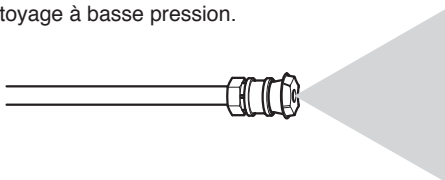
Angle de vaporisation à 40° = Buse blanche

Pour une accumulation modérée de saleté sur de grandes surfaces.



Angle de vaporisation à 65° = Buse noire

Pour utiliser avec des détergents ou pour un nettoyage à basse pression.



⚠ MISE EN GARDE

Haute pression dans la zone de la buse.

Risque de blessures si la buse n'est pas correctement enclenchée et verrouillée.

- Assurez-vous d'entendre un « clic » lorsque vous insérez l'extrémité de la buse dans le raccord rapide.
- Tirez sur la buse pour vous assurer qu'elle soit correctement appuyée/insérée avant d'utiliser l'appareil. (Consultez les INSTRUCTIONS D'UTILISATION : étape 1)

⚠ AVERTISSEMENT

Pour éviter de graves blessures, ne dirigez jamais la buse de pulvérisation vers vous, vers d'autres personnes ou vers des animaux.

UTILISATION DE DÉTERGENTS

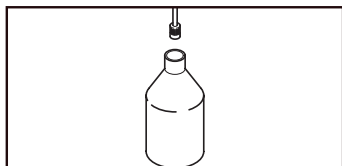
Les détergents doivent être appliqués uniquement avec la buse noire pour détergent.

➔ ÉTAPE 1:

Installer la buse à détergent noire pour procéder à un nettoyage au détergent (fonctionne à basse pression uniquement).

➔ ÉTAPE 2:

Remplissez un récipient avec du détergent Kärcher dilué selon les instructions du fabricant. Placez l'extrémité du filtre du tuyau d'aspiration de détergent dans le récipient.



➔ ÉTAPE 3:

Avec le moteur en marche, tirez sur la gâchette pour utiliser l'appareil.

Le détergent liquide est aspiré dans l'appareil et mélangé avec l'eau.

Appliquez le détergent à la zone de travail.

Ne laissez pas le détergent sécher sur la surface.

Ne laissez pas le détergent sécher sur la surface.

➔ ÉTAPE 4:

Toujours aspirer de l'eau douce à partir du tube d'aspiration pour détergent lorsque le nettoyage est terminé et pour rincer toutes traces de détergent du système d'injection.

Consultez la section **Conseils de nettoyage** pour des informations spécifiques sur la façon de nettoyer différentes surfaces.

Détergents

MISE EN GARDE

Cet appareil a été conçu pour être utilisé avec les détergents de nettoyage recommandés par le fabricant.

L'utilisation d'autres détergents de nettoyage peut affecter le fonctionnement de la machine et annuler la garantie.

Veillez toujours utiliser les détergents Kärcher; pour de meilleurs résultats.

Les détergents biodégradables Kärcher sont spécialement formulés pour protéger l'environnement et votre laveuse à pression. La formule spéciale ne bouchera pas le filtre du tube et protégera les pièces internes de la laveuse à pression pour une durée de vie prolongée. Pour les détergents Kärcher, consultez votre détaillant ou visitez notre site Web:

karcher.com/us or karcher.com/ca

MISE EN GARDE

Ne jamais utiliser :

- Eau de javel, produits contenant du chlore ou d'autres produits chimiques corrosifs
- Liquides contenant des solvants (par exemple du diluant à peinture, du carburant, de l'huile)
- Produits contenant du phosphate de trisodium
- Produits contenant de l'ammoniaque
- Produits à base d'acide

AVERTISSEMENT

L'utilisation de ces produits chimiques, lorsqu'ils sont utilisés avec des nettoyeurs haute pression, peut se transformer en aérosol. L'inhalation de produits chimiques qui ont été aérosolisés peut être dangereuse pour la santé.

Ces produits chimiques nuiront à l'appareil et endommageront la surface nettoyée.

L'utilisation de ces produits annulera la garantie.

PRENDRE UNE PAUSE...cinq minutes ou plus

➔ ÉTAPE 1:

Déplacer l'interrupteur Marche/Arrêt du moteur à la position arrêt (OFF).

➔ ÉTAPE 2:

Relâchez la gâchette et mettez le verrou de sécurité.

MISE HORS TENSION ET NETTOYAGE

→ ÉTAPE 1:

Si des détergents ont été utilisés, Insérer le tube d'aspiration dans 1.8 L d'eau fraîche.

Installer la buse à détergent noire et tirez de l'eau à basse pression pendant une minute pour éliminer tout résidu de détergent dans le système.

→ ÉTAPE 2:

Faire passer l'interrupteur du moteur en position d'arrêt.

→ ÉTAPE 3:

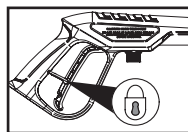
Fermez la source d'eau.

→ ÉTAPE 4:

Appuyez sur la gâchette pour relâcher la pression d'eau.

→ ÉTAPE 5:

Relâchez la gâchette et mettez le verrou de sécurité du pistolet.



→ ÉTAPE 6:

Débranchez le tuyau d'arrosage de l'entrée d'eau de l'appareil.

→ ÉTAPE 7:

Débranchez le tuyau à haute pression de la sortie à haute pression. Rangez le tuyau à haute pression dans la sangle du porte-tuyau.

ENTREPOSAGE À LONG TERME ET POUR L'HIVER

Kärcher (numéro de pièce 9.558-998.0 vendu séparément) avant d'entreposer l'appareil pour l'hiver et pendant la saison de nettoyage afin de protéger la pompe du gel et d'usure prématurée.

→ ÉTAPE 1:

Pousser Interrupteur Début/Arrêt du moteur à la position arrêt (OFF).

→ ÉTAPE 2:

Détacher le boyau à haute pression et le pistolet de la pompe.

→ ÉTAPE 3:

Détacher la soupape de la bouteille et retirer le joint étanche interne.

→ ÉTAPE 4:

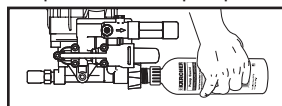
Attacher la soupape sur la bouteille.

→ ÉTAPE 5:

Fermer la soupape et l'attcher sur l'entrée du nettoyeur haute pression.

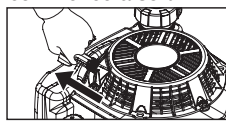
→ ÉTAPE 6:

Extracte le contenu et l'amène à la pompe, jusqu'à ce que le fluide commence à sortir de la sortie haute pression de la pompe



→ ÉTAPE 7:

Avec le levier de commande en position d'arrêt, tirer la poignée du démarreur jusqu'à ce que le liquide commence à sortir.



→ ÉTAPE 8:

Dévisser la bouteille. Stocker ou disposer correctement.

⚠ MISE EN GARDE

Le non-respect des instructions ci-dessus peut endommager l'ensemble de la pompe et les accessoires et annuler la garantie.

Pompe Kärcher

Utilisation initiale

Toutes les pompes Kärcher sont expédiées à partir de l'usine avec de l'huile à l'intérieur. Il n'est pas nécessaire d'y ajouter de l'huile.

Inspection de la pompe

Vous devriez régulièrement effectuer une inspection visuelle de la pompe pour la laveuse à pression. Si vous remarquez des fuites d'huile autour des joints d'étanchéité de la pompe, vous devriez apporter la laveuse à pression à un centre de service autorisé Kärcher pour réparation. (Vous pouvez trouver un centre de service de votre région en ligne à : <https://www.kaercher.com/us/find-a-dealer.html> qu'il soit situé aux États-Unis ou

<https://www.kaercher.com/ca/support/services/home-and-garden.html> s'il est situé au Canada

Entretien de la pompe

La pompe de votre laveuse à pression Kärcher ne nécessite aucun entretien. Toute tentative pour effectuer le service ou pour modifier la pompe pourrait endommager votre laveuse à pression et annuler votre garantie.

Moteur

Effectuez les tâches d'entretien du moteur selon les spécifications prévues dans les instructions d'utilisation fournies par le fabricant du moteur.

CONSEILS SUR LE NETTOYAGE

Nettoyage de la terrasse

(Avec ou sans détergent). Effectuez un pré-rinçage de la terrasse et des zones environnantes avec de l'eau douce. Si vous utilisez le nettoyant multi-usage Kärcher (numéro de pièce 9.558-144.0, vendue séparément), appliquez-le à basse pression. Pour de meilleurs résultats, limitez votre zone de travail à des petites sections d'environ 2,3 m² (25 pi²). Veuillez laisser agir le nettoyeur à terrasse sur la surface de 1 à 3 minutes. Ne laissez pas le détergent sécher sur la surface. À l'aide de la buse blanche à 40 degrés, rincez à haute pression dans un long mouvement de balayage en gardant la buse de pulvérisation à environ 90 cm (35 po) et approchez-vous lentement de la surface jusqu'à ce que les résultats souhaités soient obtenus. Assurez-vous de ne pas endommager la surface avant de nettoyer le reste de la terrasse. Nettoyez toujours de haut en bas et de gauche à droite. Lorsque vous vous déplacez pour nettoyer une nouvelle section, assurez-vous de chevaucher la section précédente afin de prévenir les marques d'arrêts et pour assurer un nettoyage plus uniforme. Pour plus d'informations, rendez-vous sur <https://www.kaercher.com/int/home-garden/know-how/cleaning-wooden-decking.html>

Parements de maison

(Avec ou sans détergent). Pré-rincez la surface à nettoyer avec de l'eau douce. Si vous utilisez le nettoyant multi-usage Kärcher (numéro de pièce 9.558-144.0, vendue séparément), appliquez à basse pression sur la surface (pour de meilleurs résultats, limitez votre zone de travail à des sections d'environ 1,8 mètre (6 pi) et toujours appliquer le détergent du bas vers le haut. Laissez le nettoyant polyvalent Kärcher agir sur la surface pendant 1 à 3 minutes. Ne laissez pas le détergent sécher sur la surface; si la surface semble sécher, vous n'avez qu'à la mouiller avec de l'eau douce. Au besoin, utilisez une brosse spéciale pour le nettoyage (numéro de pièce 8.923-682.0 Brosse de lavage rotative, vendue séparément) pour enlever la saleté tenace. À l'aide de la buse blanche à 40 degrés, rincez à haute pression dans un long mouvement de balayage en gardant la buse de pulvérisation à environ 90 cm (35 po) et approchez-vous lentement de la surface jusqu'à ce que les résultats souhaités soient obtenus. Assurez-vous de ne pas endommager la surface avant de nettoyer le reste de la terrasse.

Automobiles, bateaux et motocyclettes

(Avec ou sans détergent). Pré-rincez le véhicule avec de l'eau douce. Si vous utilisez le nettoyant Kärcher Vehicle Wash and Wax (numéro de pièce 9.558-946.0, vendue séparément), appliquez-le à basse pression. Pour de meilleurs résultats, nettoyez un côté du véhicule à la fois et toujours appliquer le détergent du bas vers le haut; ne laissez pas le détergent sécher sur la surface. Au besoin, utilisez une brosse spéciale pour le nettoyage (non incluse) pour enlever la saleté tenace. À l'aide de la buse blanche à 40 degrés, rincez à haute pression dans un long mouvement de balayage en gardant la buse de pulvérisation à environ 90 cm (35 po) et approchez-vous lentement de la surface jusqu'à ce que les résultats souhaités soient obtenus. Assurez-vous de ne pas endommager la surface avant de nettoyer le reste de la terrasse. Toujours nettoyer du haut vers le bas et de gauche à droite. Pour de meilleurs résultats, essayez la surface avec un chamois ou un chiffon doux et sec. Pour plus d'informations, rendez-vous <https://www.kaercher.com/int/home-garden/know-how/car-care.html> and <https://www.kaercher.com/int/home-garden/know-how/motorcycle-cleaning.html>

Barbecues, équipements motorisés d'extérieur et outils de jardin

(Avec ou sans détergent). Pré-rincez la surface à nettoyer avec de l'eau douce. Si vous utilisez le nettoyant multi-usage Kärcher (numéro de pièce 9.558-144.0, vendue séparément), appliquez le détergent à basse pression. Laissez le nettoyant polyvalent Kärcher agir sur la surface pendant 1 à 3 minutes. Ne laissez pas le détergent sécher sur la surface. À l'aide de la buse blanche à 40 degrés, rincez à haute pression dans un long mouvement de balayage en gardant la buse de pulvérisation à environ 35 pouces (90 cm) et approchez-vous lentement de la surface jusqu'à ce que les résultats souhaités soient obtenus. Pour enlever la saleté extrêmement tenace, il peut être nécessaire de rapprocher encore plus la buse de pulvérisation de la surface pour une plus grande action de coupe de la saleté, assurez-vous de ne pas endommager la surface.

Patio de ciment, de briques et de pierres

(Avec ou sans détergent). Pré-rincez la surface à nettoyer avec de l'eau douce. Si vous utilisez le nettoyant multi-usage Kärcher (numéro de pièce 9.558-144.0, vendue séparément), appliquez à la surface à basse pression. Pour de meilleurs résultats, limitez votre zone de travail à des petites sections d'environ 2,3 m² (25 pi²). Veuillez laisser agir la laveuse à pression ou le dégraisseur sur la surface de 1 à 3 minutes. Ne laissez pas le détergent sécher sur la surface. À l'aide de la buse blanche à 25 degrés, rincez à haute pression dans un long mouvement de balayage en gardant la buse de pulvérisation à environ 25 pouces (60 cm) et approchez-vous lentement de la surface jusqu'à ce que les résultats souhaités soient obtenus. Assurez-vous de ne pas endommager la surface avant de nettoyer le reste de la surface. Nettoyez toujours de haut en bas et de gauche à droite. Toujours nettoyer du haut vers le bas et de gauche à droite. Pour enlever les taches très tenaces, utilisez une buse de pulvérisation Turbo Nozzle (numéro de pièce 8.641-034.0, vendu séparément). Pour plus d'informations, rendez-vous <https://www.kaercher.com/us/home-garden/application-tips/mossy-brick-and-stone.html>

Recommandations

- Avant de procéder au nettoyage, nettoyez un endroit peu visible afin de déterminer la distribution de la vaporisation.
- Si les surfaces peintes s'écaillent ou s'effritent, soyez très prudent puisque la laveuse à pression pourrait enlever les écailles de peinture de la surface.
- Lorsque vous utilisez l'appareil sur des surfaces pouvant entrer en contact avec le bois, rincez les surfaces avec beaucoup d'eau douce.
- Pour des conseils de nettoyage additionnels, veuillez visiter notre site Web [karcher.com/us](https://www.kaercher.com/us) or [karcher.com/ca](https://www.kaercher.com/ca)

Patio et meubles de jardin

(Avec ou sans détergent). Effectuez un pré-rinçage des meubles et des zones environnantes avec de l'eau douce. Si vous utilisez le nettoyeur multi-usage Kärcher (numéro de pièce 9.558-144.0, vendue séparément), appliquez à la surface à basse pression. Laissez le nettoyeur polyvalent Kärcher agir sur la surface pendant 1 à 3 minutes. Ne laissez pas le détergent sécher sur la surface. Au besoin, utilisez une brosse spéciale pour le nettoyage (numéro de pièce 8.923-682.0 Brosse de lavage rotative, vendue séparément) pour enlever la saleté tenace. Rincez à haute pression en effectuant un mouvement de balayage et en gardant la buse de pulvérisation à environ de la surface à nettoyer. Pour de meilleurs résultats, nettoyez du haut vers le bas et de gauche à droite.

Accessoires optionnels

Des accessoires optionnels sont disponibles pour améliorer davantage vos capacités de nettoyage. Ces accessoires sont exacts à la date d'impression de ce manuel. Veuillez consulter notre site Web : **kärcher.com/us** or **kärcher.com/ca** for pour des prix et des informations à jour.

- Rallonge du boyau
- Buse turbo
- Nettoyeur de surface 15" (38.1 cm)

DÉPANNAGE

⚠ MISE EN GARDE

Avant de procéder aux réparations, débrancher toujours le câble de la bougie d'allumage afin d'éviter tout démarrage accidentel du moteur.

Problème	Cause	Solution
LE MOTEUR NE DÉMARRE PAS	Absence d'essence	Remplir le réservoir d'essence
	Coupure de l'allumage	Mettre le contacteur d'allumage en position de marche
	Accumulation de pression d'eau dans de la machine	Serrer le déclencheur pour relâcher la pression
	Pour d'autres problèmes liés au moteur, veuillez consulter le manuel du moteur.	
D'EAU PRESSION FAIBLE	Le diamètre du boyau d'arrosage est trop petit	Remplacer avec un boyau d'arrosage d'un diamètre interne de 5/8 po ou plus
	L'alimentation en eau est restreinte.	Vérifier toute présence de plis, de fuites ou d'obstruction du boyau.
	Entrée d'eau insuffisante alimentation	Tourner l'alimentation en eau à plein régime. Vérifier le boyau d'arrosage pour toute éventuelle présence de plis, de fuites ou de blocage.
	Le filtre d'entrée d'eau est obstrué	Retirer le filtre et le rincer à l'eau tiède.
	La buse à détergent noire est fixée	Retirer la buse à détergent noire et fixer la buse à haute pression.
DE SORTIE LA PRESSION VARIE D'UN NIVEAU ÉLEVÉ À FAIBLE	Entrée d'eau insuffisante alimentation.	Tourner l'alimentation en eau à plein régime. Vérifier le boyau d'arrosage pour toute éventuelle présence de plis, de fuites ou de blocage.
	La pompe aspire de l'air	Vérifier que les boyaux et les raccords sont étanches à l'air. Arrêter la machine et purger la pompe en serrant le pistolet déclencheur jusqu'à ce qu'un débit régulier d'eau se dégage de la buse
	Le filtre d'entrée d'eau est obstrué	Retirer le filtre et le rincer à l'eau tiède.
	La buse de pulvérisation est obstruée	Souffler ou retirer les débris à l'aide d'une aiguille fine
	Pistolet, boyau ou tube de vaporisation calcifié	Faire circuler du vinaigre distillé dans le détergent tube d'aspiration.

DÉPANNAGE

Problème	Cause	Solution
ABSENCE DE DÉTERGENT	Le tube d'aspiration de détergent n'est pas adéquatement raccordé à la machine	Vérifier le raccord
	Le détergent est trop dense	Diluer le détergent; pour des résultats optimaux, utiliser du détergent Kärcher
	Le filtre du tube d'aspiration de détergent est obstrué	Faire circuler de l'eau tiède par le filtre pour retirer les débris
	Tube d'aspiration du détergent endommagé ou obstrué	Retirer l'obstruction ou remplacer le détergent tube d'aspiration
	Une buse à haute pression est attachée	Remplacer par une buse à détergent noire
	La buse de pulvérisation est obstruée	Souffler ou retirer les débris à l'aide d'une aiguille fine
DU BOYAU D'ARROSAGE LE RACCORD FUIT	Raccords lâches	Serrer les raccords
	Caoutchouc manquant ou usé rondelle	Insérer une nouvelle rondelle
LE TUBE DE VAPORISATION FUIT	Le tube de vaporisation n'est pas adéquatement attaché	Tourner l'écrou tournant du pistolet en sens horaire jusqu'à ce que le raccord est trop serré
	Joint torique ou encart de plastique brisé	Visitez www.karcher-help.com ou trouvez un centre de service au www.karcher-service.com
LA POMPE EST BRUYANTE	Alimentation en eau	Vérifier que les boyaux et les raccords sont étanches à l'air. Arrêter la machine et purger la pompe en serrant le pistolet déclencheur jusqu'à ce qu'un débit régulier d'eau se dégage de la buse

DÉPANNAGE

Problème	Cause	Solution
FUITES D'EAU DEPUIS LA POMPE (JUSQU'À 10 GOUTTES PAR MINUTE EST PARMISSIBLE)	Raccords lâches	Vérifier les raccords
	Les bouchons d'eau sont endommagés ou usés.	Visitez www.karcher-help.com ou trouvez un centre de service au www.karcher.com/ca
	Dispositif de protection thermique est activé.	Le dispositif de protection thermique se réinitialisera automatiquement. Ne pas faire fonctionner la pompe plus de 5 minutes sans pulvérisation
FUITE D'HUILE	Les joints étanches à l'huile sont endommagés ou usés	Visitez www.karcher-help.com ou trouvez un centre de service au www.karcher.com/us or www.karcher.com/ca

Si le problème que vous expérimentez n'est pas indiqué ci-haut, ou si les solutions proposées ne règlent pas le problème, veuillez consulter notre base de données de dépannage complète en ligne au:

www.karcher-help.com or www.karcher.com/ca/support/faqs.html

Machines À Laver A Haute Pression

Garantie limitée de 3 ans

KÄRCHER

Ce produit Kärcher est garanti comme étant exempt de défauts de fabrication et de vices de matériau sous utilisation normale.

La présente garantie s'applique :

- Aux moteurs Kärcher de série KPS et KXS garantis pour trois (3) ans, pièces, main-d'oeuvre et service, par un centre de service Kärcher
- Les moteurs de série GX Honda sont garantis trois (3) ans, pièces, main-d'oeuvre et service, par un centre de service Honda autorisé
- Les pompes sont garanties deux (2) ans, pièces, main-d'oeuvre et service, par un centre de service Kärcher
- Les châssis, les poignées et les réservoirs à détergent ainsi que tous les composants structureaux sont assortis sont garantis trois (3) ans, pièces et main-d'oeuvre.
- **Les accessoires standards et les pièces jointes sont garantis pendant quatre-vingt-dix (90) jours.**
- **Toute utilisation commerciale, industrielle ou de location de cet équipement ANNULLERA la garantie.**

La période de garantie est calculée à compter de la date d'achat de l'utilisateur final et couvre les coûts de remplacement des pièces et/ou du matériel et de la main-d'œuvre. Pour vérifier l'état de la garantie, la machine doit faire l'objet d'une évaluation par un centre de service Kärcher autorisé ou par un centre de service autorisé représentant le fabricant du moteur.

Une copie du reçu d'achat d'origine ou un reçu-cadeau du détaillant d'origine doit également accompagner la réclamation en garantie.

Pour trouver le centre de service Kärcher autorisé le plus proche, veuillez consulter notre site Web au www.karcher-register.com.

L'obligation de Kärcher conformément à la présente garantie doit strictement se limiter, à la discrétion de Kärcher, soit au remplacement ou à la réparation, directement par l'entremise de Kärcher ou d'un concessionnaire de services autorisé par Kärcher, sans frais, durant toute partie de la période de garantie, qui selon le fabricant, présente des défauts de fabrication ou des vices de matériaux. Le service sera organisé selon la charge de travail normale et les heures d'ouverture du centre de service, et de la disponibilité des pièces de remplacement. Toutes les décisions de Kärcher à l'égard de cette garantie limitée seront définitives.

La présente garantie ne couvre pas :

- La marchandise vendue comme étant remise en état, usagée, des modèles de démonstration ou de salles de montre.
- La marchandise achetée sur eBay et autres sites Web d'enchères en ligne.
- Les dommages causés par toute utilisation abusive, négligence, tout accident, abus, toute manutention inappropriée, gel, usure normale et non-respect du manuel d'utilisation.

INFORMATION SUR LA GARANTIE

- Les dommages causés par les sédiments et l'eau, une alimentation en eau contaminée ou l'utilisation de produits chimiques et les détergents non approuvés ni recommandés par Kärcher.
- Les dommages causés par des actes de la nature comme des inondations, des incendies, des séismes, la foudre, etc.
- Les appareils ou les accessoires non distribués par Kärcher. Toute utilisation desdits appareils ou accessoires annulera la garantie tacite.
- Les réparations effectuées par l'utilisateur final ou un centre de service non autorisé par Kärcher. Toute altération du matériel ou des accessoires Kärcher annuleront la garantie tacite.
- Tous les frais d'expédition à la charge du client ou du centre de service autorisé pour toute pièce ou matériel allégué défectueux.

Cette garantie est non transférable et ne s'applique qu'aux produits achetés auprès d'un revendeur Kärcher autorisé aux États-Unis et au Canada. Le matériel qui est fourni, mais qui n'est pas fabriqué par Kärcher, comme les moteurs à essence Honda et Kohler, est assujéti à des garanties et un service par l'entremise des centres de service du fabricant, selon les modalités fournies par le fabricant d'origine respectif du matériel. Kärcher n'est pas autorisée et n'est aucunement responsable de fournir un service de garantie pour les moteurs Honda et Kohler. La présente garantie vous confère des droits légaux précis. Vous pourriez avoir d'autres droits, qui varient selon le pays et l'État ou la province.

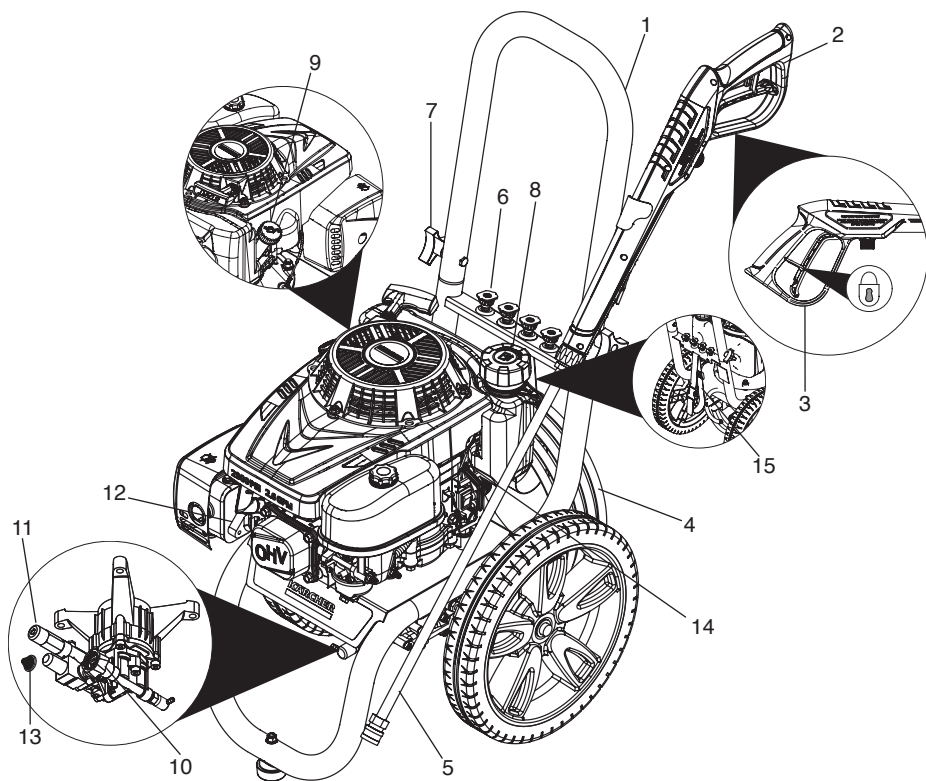
Veillez vous enregistrer en ligne au www.karcherresidential.com/warranty ou karcher.com/ca

L'inscription en ligne s'effectue rapidement et vous fournit un courriel de confirmation à conserver dans vos dossiers.

VISTA GENERAL DEL MODELO

- | | | | |
|---|------------------------------|----|---|
| 1 | Manubrio de transporte | 10 | Toma de agua con conector para manguera de jardín |
| 2 | Pistola de disparo | 11 | Salida de alta presión |
| 3 | Seguro de disparo | 12 | Bujía |
| 4 | Manguera de alta presión | 13 | Filtro de agua (instalado en la bomba) |
| 5 | Lanza | 14 | Interruptor Encendido/Apagado |
| 6 | Boquillas de conexión rápida | 15 | Correa |
| 7 | Perilla | | |
| 8 | Tanque de combustible | | |
| 9 | Varilla del aceite | | |

*Para obtener detalles del motor, consulte el manual del motor.



MANUAL DE USUARIO DE LA HIDROLAVADORA DE ALTA PRESIÓN

Vista general del modelo	39
Instrucciones importantes de seguridad	42
Instrucciones de montaje	44
Instrucciones de funcionamiento	46
Utilización de los accesorios	48
Trabajar con detergentes	48
Tomarse un descanso	49
Apagado y limpieza	49
Protección en el invierno y almacenaje prolongado	50
Instrucciones de mantenimiento	50
Consejos de limpieza	51
Localización y reparación de averías	53
Información de garantía	55

Especificaciones

G 2900 E	
Max. presión	2900 PSI
Max. flujo de agua	2.6 GPM
Succión de detergente	0.04 GPM
Motor	Karcher KPS 196cc
Tipo de combustible	Gasolina sin plomo
Tamaño del tanque de gasolina	0.8 gal
Tipo de aceite para motor	SAE 10W-30
Capacidad de aceite en el motor	0.15 gal
Número de parte	1.107-414.0
Boquilla - Amarillo, 15 deg	2900 PSI at 2.4 GPM
Boquilla - Verde, 25 deg	2700 PSI at 2.5 GPM
Boquilla - Blanco, 40 deg	2300 PSI at 2.6 GPM
Boquilla - Negro, 60 deg	400 PSI at 2.8 GPM
Kit de boquilla N.º de parte	8.758-924.0

Uso adecuado

Esta Hidrolavadora de alta presión está diseñada:

- Para limpiar máquinas, vehículos, edificios, herramientas, fachadas, terrazas, patios, entradas de vehículos, pasillos, equipos de jardinería, etc. (en algunos escenarios de limpieza pueden ser necesarios detergentes).

- Para usar con accesorios, repuestos y detergentes aprobados por KÄRCHER. Observe las instrucciones proporcionadas con estos detergentes.

Responsabilidad del Usuario



El material de embalaje se puede reciclar.

Por favor, no tire el embalaje a la basura ordinaria para su eliminación, sino que organice el reciclaje adecuado.



Los electrodomésticos viejos contienen materiales valiosos que se pueden reciclar. Por favor, organice el reciclaje adecuado de los electrodomésticos viejos.

Deseche sus electrodomésticos viejos utilizando los sistemas de recolección adecuados.

Notas sobre los ingredientes (REACH)

Encontrará información actualizada sobre los ingredientes en:

<https://www.kaercher.com/int/inside-kaercher/sustainability/supply-chain-and-products.html>

Símbolos de aviso de seguridad

PELIGRO

Indicación de una amenaza inminente de peligro que provocará lesiones graves o incluso la muerte.

ADVERTENCIA

Indicación de una situación potencialmente peligrosa que puede provocar lesiones graves o incluso la muerte.

ATENCIÓN

Indicación de una situación potencialmente peligrosa que puede provocar lesiones leves.

ATENCIÓN

Indicación de una situación potencialmente peligrosa que puede provocar daños materiales.

MANUAL DE USUARIO DE LA HIDROLAVADORA DE ALTA PRESIÓN

Responsabilidad del propietario/usuario

El propietario y/o el usuario deben comprender bien las instrucciones de servicio y advertencias del fabricante antes de empezar a utilizar esta hidrolavadora de alta presión. Debe prestarse especial atención y tener muy claras las advertencias. Si el operador no habla bien el español, el propietario/comprador debe responsabilizarse de leer y comentar las instrucciones y las advertencias en su lengua natal, y asegurarse de que entienda a la perfección su contenido. El propietario y/o el usuario deben leer y guardar como referencia para el futuro las instrucciones del fabricante.

El operador debe saber cómo detener rápidamente la hidrolavadora y comprender el funcionamiento de todos los controles.

Guarde estas instrucciones

Este manual debe considerarse una parte permanente de esta hidrolavadora a presión y debe permanecer con ella si se revende.

Leer el manual del motor

Lea el manual del motor (que está separado de este manual) antes de usar de la máquina.

CONSERVE ESTAS INSTRUCCIONES

SERVICIO AL CLIENTE

Registro

Su dispositivo debe estar registrado para poder ayudarlo con cualquier pregunta o problema que tenga. Puede registrar su dispositivo en **www.karcher-register**, si se encuentra en EE. UU., **www.karcher.com/ca** si se encuentra en Canadá o **www.karcher.com/mx** si se encuentra en México.

Atención al cliente de Canadá

Puede comunicarse con nuestro departamento de Atención al cliente por teléfono al **1-800-465-4980** o a través del sitio web en **www.karcher.com/ca**.

Garantía

En el caso de una reclamación de garantía, puede ponerse en contacto con el servicio de atención al cliente. Consulte la información de contacto que se detalla a continuación para EE. UU., Canadá o México. DEBE proporcionar su comprobante de compra para presentar un reclamo de garantía por correo electrónico, teléfono o fax.



Atención al cliente de México

Puede comunicarse con nuestro departamento de Servicio al Cliente al teléfono **01-800-024-13-13** o a través del sitio web **www.karcher.com/mx**.



Atención al cliente de EE. UU.

Puede comunicarse con nuestro departamento de Atención al cliente por teléfono al **1-800-537-4129** o a través del sitio web en **www.karcher.com/us**.

INSTRUCCIONES IMPORTANTES DE SEGURIDAD

  Antes de la puesta en marcha, leer el manual de instrucciones del fabricante del motor, especialmente las indicaciones de seguridad.

ADVERTENCIA

  Al utilizar este producto, tome siempre las precauciones básicas, incluidas las siguientes:

- Lea todas las instrucciones antes de usar el producto.
- Para reducir el riesgo de lesiones, es preciso vigilar atentamente si se usa el producto cerca de niños.
- Las hidrolavadoras de alta presión no deben ser utilizados por niños ni por personal no capacitado.
- Es necesario saber cómo parar rápidamente el producto y liberar la presión atrapada. Estar familiarizado con los mandos.
- Estar atento, prestar atención a lo que se está haciendo.
- No ponga en funcionamiento el producto si está cansado o está bajo la influencia de alcohol o drogas.
- Mantenga la zona de trabajo libre de personas.
- No sobrecargar o colocar sobre un soporte inestable. Mantener el equilibrio en todo momento.
- Seguir las instrucciones de mantenimiento especificadas en el manual.
- Para evitar riesgos, es necesario que las reparaciones y el montaje de piezas de repuesto sean realizados únicamente por personal entrenado.
- Las mangueras de alta presión, los accesorios y los acoplamientos son importantes para la seguridad de la máquina. Utilice únicamente mangueras, accesorios y acoplamientos recomendados por el fabricante.

ADVERTENCIA

Riesgo de inyección o lesiones, no dirigir el chorro directamente sobre personas o animales.

- Los chorros de alta presión pueden resultar peligrosos si se usan de forma incorrecta. No se debe dirigir el chorro a personas, animales, dispositivos eléctricos o al equipo mismo.
- No dirija el chorro hacia usted o hacia otras personas para limpiar ropa o calzado.
- No utilice la máquina dentro del alcance de personas a menos que usen ropa de protección.
- Para garantizar la seguridad de la máquina, utilice únicamente repuestos originales del fabricante o aprobado por el fabricante.

PELIGRO

No disparar sobre conexiones eléctricas, enchufes o aparatos.

ADVERTENCIA

Riesgo de explosión, no disparar sobre líquidos inflamables. Operar solamente donde la llama abierta sea permitida.

- No usar ácidos, solventes, o cualquier material inflamable o alcalino en este producto. Estos productos pueden causar heridas físicas al operario y daños irreparables a la máquina.

ADVERTENCIA

La pistola rebota hacia atrás, sujetar con ambas manos.

- El seguro del gatillo de la pistola evita que el gatillo se accione de forma involuntaria. El dispositivo de seguridad deberá ser ganchado cuando se esten reemplazando las boquillas o cuando no se este usando.

INSTRUCCIONES IMPORTANTES DE SEGURIDAD

ADVERTENCIA

- Riesgo de asfixia - usar este producto únicamente en una zona bien ventilada.
- Asegúrese de que las emisiones de escape no estén cerca de las tomas de aire.
- Operar y reabastecer la máquina en una zona bien ventilada, donde no haya dispositivos con un piloto o llama abierta tales como bóiler, calentadores de agua, etc.
- Hacer funcionar este producto en interiores puede provocar la muerte debido al monóxido de carbono, un gas venenoso que no se puede ver ni oler. Nunca opere en interiores, incluso si las ventanas y puertas están abiertas. Úselo solo al aire libre y lejos de ventanas, puertas y aberturas o conductos de ventilación.
- Durante el uso de hidrolavadoras de alta presión, se pueden formar aerosoles. La inhalación de aerosoles puede ser peligrosa para la salud.
- No use la máquina si un cable de alimentación o partes importantes de la máquina están dañados, por ejemplo: dispositivos de seguridad, mangueras de alta presión, pistola rociadora.

ADVERTENCIA

No se deben utilizar combustibles incorrectos, ya que pueden resultar peligrosos.

ADVERTENCIA

Apague siempre el interruptor de encendido/apagado cuando deje la máquina desatendida.

ADVERTENCIA

Riesgo de incendio - no agregar gasolina a la máquina mientras esté en funcionamiento o aún caliente.

ADVERTENCIA

- No poner en funcionamiento si se ha derramado gasolina. Mueva la máquina a otro lugar para evitar que se produzcan chispas
- La máquina tiene superficies calientes que pueden causar quemaduras. Poner en funcionamiento el aparato en un ambiente seguro y lejos de niños.
- No tocar las superficies calientes o permitir que los accesorios estén en contacto con las superficies calientes.
- No dejar la máquina sin supervisión cuando esté en funcionamiento.
- Evitar inclinar la máquina hacia un lado.

ADVERTENCIA

Lesiones serias pueden resultar debido a descargas de alta presión producidas por la hidrolavadora.

Mantener fuera del alcance de niños.

ADVERTENCIA DE LA PROPUESTA 65:

Este producto puede exponerlo a agentes químicos que incluyen plomo y Flato de Diisononilo, los cuales son reconocidos por el Estado de California como causantes de cáncer, defectos de nacimiento u otros daños reproductivos. Para más información, diríjase a www.P65Warnings.ca.gov

CONSERVE ESTAS INSTRUCCIONES

INSTRUCCIONES IMPORTANTES DE SEGURIDAD

SUMINISTRO DE AGUA (Sólo agua fría)

ADVERTENCIA

El agua que ha fluido a través de las válvulas antirretorno se considera no potable. Utilice un filtro de agua para evitar posibles daños por suciedad en el suministro de agua.

- La manguera del jardín debe tener al menos un diámetro interno de 5/8 pulgadas.
- El flujo del suministro de agua no debe caer por debajo de 2,64 GPM (galones por minuto) (10 l/min (litros por minuto)).
- El flujo de agua del suministro se puede determinar dejando correr el agua durante un minuto en un balde vacío de 5 galones (recipiente de 20 litros).
- Presión de suministro debe ser superior a 40 PSI.
- La temperatura de agua no debe exceder los 104°F/40°C.
- No usar la hidrolavadora de presión con agua contaminada con disolventes, por ejemplo diluyentes para pintura, gasolina, aceite etc.
- Evitar que entren escombros en la unidad, para ello use una fuente de agua limpia. Use un filtro adicional de agua.
- No ponga en funcionamiento la hidrolavadora de presión sin agua.

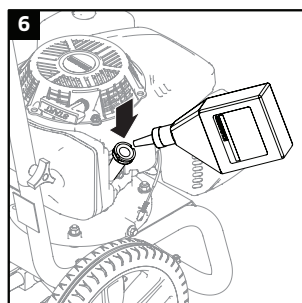
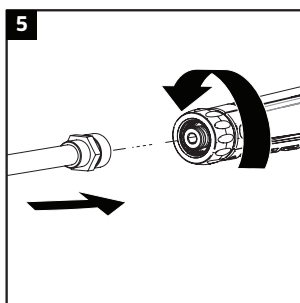
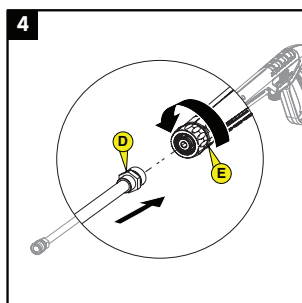
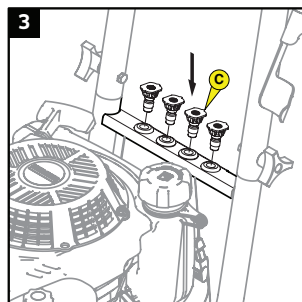
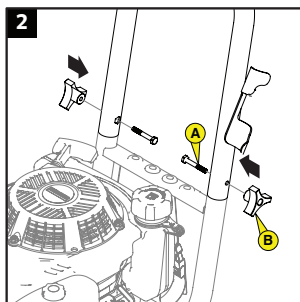
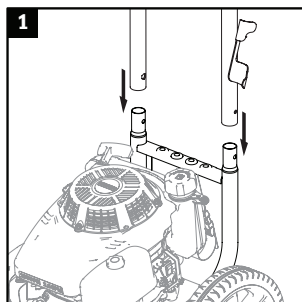
INSTRUCCIONES DE MONTAJE

Partes (Incluidas)

	Descripción	Objetivo	Dibujo	Cant.
A	Perno hexagonal 1/4"	Ensamble de manubrio		2
B	Perilla	Ensamble de manubrio		2
C	Kit de boquillas de conexión rápida	Ensamble de soporte de boquillas		1
D	Lanza	Ensamble de pistola		1
E	Pistola rociadora	Ensamble de pistola		1
F	Manguera de alta presión	Ensamble de pistola		1
G	Manguera de detergente	Uso de detergente		1

INSTRUCCIONES DE MONTAJE

Montaje



Montaje

➔ **Ilustración 1:**

Conecte el manubrio al chasis de la hidrolavadora a presión.

➔ **Ilustración 2:**

Alinee los orificios, inserte los pernos (A) y apriete con la perilla (B).

➔ **Ilustración 3:**

Colocar las boquillas (C) en los soportes de boquillas.

➔ **Ilustración 4, 5:**

Conectar la lanza (D) con las pistola rociadora (E).

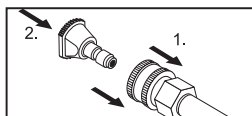
➔ **Ilustración 6:**

Retire la tapa / varilla medidora del nivel de aceite y agregue el aceite.

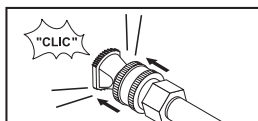
INSTRUCCIONES DE FUNCIONAMIENTO

→ PASO 1:

Jalar el anillo con resorte hacia la lanza para insertar la boquilla de conexión rápida elegida. Insertar la boquilla de conexión rápida elegida.



Soltar el anillo y empujar la boquilla hasta que encaje.



⚠ ATENCIÓN

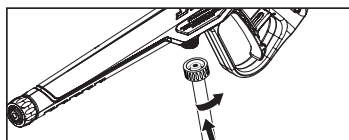
Alta presión en la zona de la boquilla.

Riesgo de lesiones causados por una boquilla mal conectada.

- Asegúrese de oír el "clik" al insertar la punta de la boquilla en la lanza.
- Tirar de la boquilla para asegurarse de que está bien colocada antes de poner en funcionamiento la unidad.

→ PASO 2:

Conectar la manguera de alta presión a la pistola. Asegúrese de enroscar la manguera completamente en la pistola de gatillo.



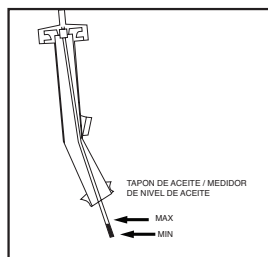
ATENCIÓN

El motor es empacado sin aceite. Antes de encender el motor, añadir aceite. No lo llene demasiado. No poner en funcionamiento el motor con un nivel de aceite demasiado bajo o demasiado alto ya que se puede dañar el motor.

Si tiene más preguntas sobre el motor, consulte el manual suministrado con el equipo.

→ PASO 3:

Comprobar el nivel de aceite. El nivel de aceite tiene que estar siempre entre las marcas "FULL" y "ADD" o "MAX" y "MIN" en la varilla.



Asegúrese de que la máquina esté nivelada cuando compruebe el nivel de aceite. (Consulte el manual de funcionamiento del motor para los grados según la estación).

→ PASO 4:

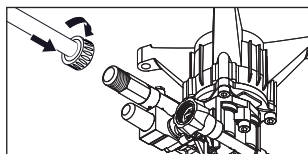
Llenar el tanque de combustible con gasolina sin plomo.

No usar gasolina con plomo. Consulte el manual del motor para conocer el octanaje apropiado.

No añada aceite a la gasolina.

→ PASO 5:

Conecte la manguera de alta presión a la salida de alta presión de la bomba.



⚠ ADVERTENCIA

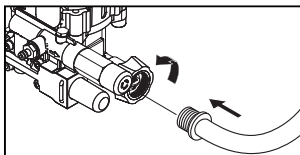
Las mangueras de alta presión, los accesorios y los acoplamientos son importantes para la seguridad del aparato.

Utilice únicamente mangueras, accesorios y acoplamientos recomendados por el fabricante.

INSTRUCCIONES DE FUNCIONAMIENTO

→ PASO 6:

Conecte la manguera de jardín a la entrada de baja presión de la bomba.



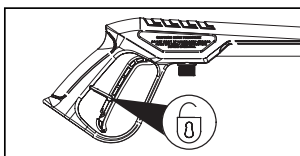
→ PASO 7:

Conecte la manguera de jardín a la toma de agua fría y abra la llave del agua completamente.

No usar agua caliente. (La temperatura del suministro de agua no debe exceder los 104 °F/40 °C).

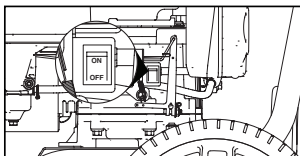
→ PASO 8:

Desbloquee el seguro del gatillo de la pistola. Dispare la pistola para eliminar el aire atrapado y espere hasta que salga un caudal de agua constante de la boquilla de conexión rápida.



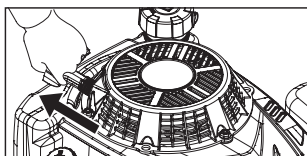
→ PASO 9:

Gire el interruptor de Encendido/Apagado a la posición de encendido (ON).



→ PASO 10:

Tire de la manija de arranque. Si el motor no arranca después de 3 tirones, apriete el gatillo para liberar la presión y repita el paso.



⚠ ADVERTENCIA

El retroceso del cable de arranque (retracción rápida) puede provocar lesiones corporales. El retroceso empujará la mano y el brazo hacia el motor más rápido de lo que puede soltar. SIEMPRE libere la presión de la pistola rociadora antes de jalar el cordón de arranque. Tire del cable de arranque lentamente hasta que sienta resistencia, luego tire rápidamente.

Consulte el manual del motor para más información sobre el motor.

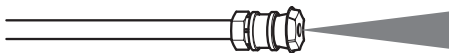
UTILIZACIÓN DE LOS ACCESORIOS

Boquillas de conexión rápida

Las boquillas de conexión rápida codificadas por colores ofrecen una gran variedad de anchos de pulverización de 15° a 65° y son de fácil acceso si se colocan en un práctico soporte de boquilla.

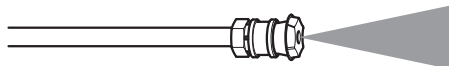
15° ángulo atomizador = Boquilla amarilla

Para suciedad sobre una superficie.



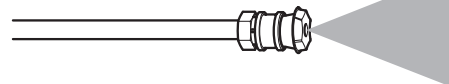
25° ángulo atomizador = Boquilla verde

Para suciedad sobre una superficie grande.



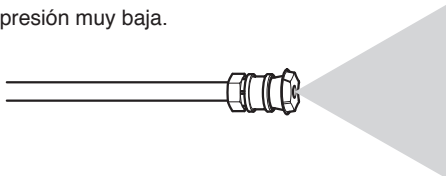
40° ángulo atomizador = Boquilla blanca

Para suciedad moderada sobre una superficie grande.



65° ángulo atomizador = boquilla de detergente negra

Para trabajar con detergente o limpiar con una presión muy baja.



⚠ ATENCIÓN

Alta presión en la zona de la boquilla. Riesgo de lesiones causados por una boquilla mal conectada.

- Asegúrese de oír el "clic" al insertar la punta de la boquilla en la lanza.
- Tirar de la boquilla para asegurarse de está bien colocada antes de poner en funcionamiento la unidad. (INSTRUCCIONES DE FUNCIONAMIENTO: paso 1)

⚠ ADVERTENCIA

Para evitar heridas graves, nunca dirija la boquilla pulverizadora hacia usted mismo, otras personas o animales.

TRABAJAR CON DETERGENTES

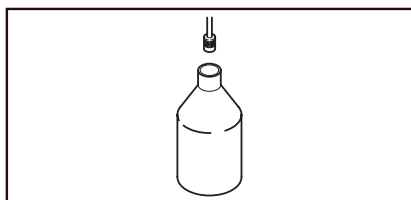
Sólo se pueden aplicar detergentes con la boquilla de detergente negra.

➔ PASO 1:

Colocar la boquilla de detergente negra para aplicar detergente a baja presión.

➔ PASO 2:

Llene un recipiente con detergente Kärcher diluido según las instrucciones del fabricante. Coloque el extremo del filtro de la manguera de succión de detergente dentro del recipiente.



➔ PASO 3:

Con el motor en marcha, tirar del gatillo para poner el equipo en funcionamiento. El detergente líquido se introduce en el equipo y se mezcla con agua. Aplicar detergente al área de trabajo. No permitir que el detergente se seque sobre la superficie

➔ PASO 4:

Dejar correr **siempre** agua fresca por el tubo de absorción de detergente al acabar el trabajo de limpieza para limpiar/extraer los restos de detergente del sistema de inyección.

Para más información consulte la sección de consejos de limpieza.

TRABAJAR CON DETERGENTES

Detergentes

⚠ ATENCIÓN

Siga las instrucciones de mantenimiento especificadas en el manual. Este aparato ha sido diseñado para ser utilizado con detergentes de limpieza del fabricante.

El uso de otros detergentes de limpieza puede afectar al funcionamiento del aparato y hacer que deje de tener validez la garantía

Utilice siempre detergente Kärcher para obtener los mejores resultados

Los detergentes biodegradables de Kärcher han sido especialmente formulados para proteger el medio ambiente y la hidrolavadora a presión. Su fórmula especial no obstruirá el filtro del tubo de succión y protegerá las piezas internas del limpiador de alta presión para que su vida útil sea más larga. Para adquirir los detergentes Kärcher, diríjase a su comerciante minorista o llame a nuestro centro de asistencia si necesita ayuda.

karcher.com/us o karcher.com/ca

⚠ ATENCIÓN

No utilice nunca:

- Lejía, productos que contengan cloro u otro tipo de productos químicos corrosivos
- Líquidos que contengan disolventes (p. ej., diluyentes de pintura, gasolina, aceites)
- Productos de fosfato trisódico
- Productos con amoníaco
- Productos con base ácida

⚠ ADVERTENCIA

El uso de estos químicos, cuando se usan con hidrolavadoras de alta presión, puede convertirlos en aerosol. La inhalación de productos químicos que han sido aerosolizados puede ser peligrosa para la salud.

Estos productos químicos dañarán la unidad y dañarán la superficie que se está limpiando.

El uso de estos artículos anulará la garantía

TOMARSE UN DESCANSO... de cinco minutos o más

→ PASO 1:

Mover el interruptor de Encendido/Apagado del motor a la posición apagado (OFF).

→ PASO 2:

Suelte el gatillo y active el seguro del gatillo de la pistola.

APAGADO Y LIMPIEZA

→ PASO 1:

Si se usaron detergentes, inserte la manguera de succión en 0.5 galones (1.8 L) de agua limpia. Colocar la boquilla de detergente negra y disparar agua a baja presión durante un minuto para limpiar los residuos de detergente en el sistema.

→ PASO 2:

Mover el interruptor de encendido (ON) del motor a la posición apagado (OFF).

→ PASO 3:

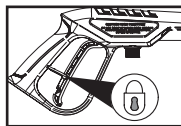
Cierre el grifo del agua.

→ PASO 4:

Presione el gatillo para liberar la presión del agua.

→ PASO 5:

Suelte el gatillo y active el seguro del gatillo de la pistola.



→ PASO 6:

Desconecte la manguera de jardín de la toma de agua de la unidad.

→ PASO 7:

Desconecte la manguera de alta presión de la salida de alta presión. Guarde la manguera de alta presión en la correa de soporte para manguera. Coloque la manguera de presión en la correa del soporte de la manguera.

PROTECCIÓN EN EL INVIERNO Y ALMACENAJE PROLONGADO

Es altamente recomendable usar Lubricante/Anticongelante de Kärcher (número de parte 9.558-998.0 se vende por separado) antes del almacenamiento invernal para proteger la bomba de la congelación y del desgaste prematuro.

→ PASO 1:

Mueva el interruptor de encendido (ON) del motor a la posición apagado (OFF).

→ PASO 2:

Desconecte todas las mangueras.

→ PASO 3:

Desconecte la tapa del bote Lubricante.

→ PASO 4:

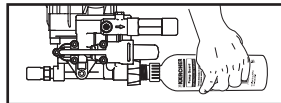
Quite el sello interno.

→ PASO 5:

Conecte nuevamente la tapa al bote.

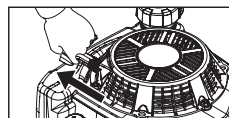
→ PASO 6:

Instale la botella en la entrada de la hidrolavadora y presione la botella.



→ PASO 7:

Tire de la palanca de arranque hasta que empiece a salir líquido.



→ PASO 8:

Desconecte el bote, disponga de él apropiadamente.

⚠ ATENCIÓN

Si no se cumplen las instrucciones mencionadas arriba, el grupo de la bomba y los accesorios sufrirán daños y anulará su garantía.

INSTRUCCIONES DE MANTENIMIENTO

Bomba

Uso Inicial

Todas las bombas vienen con aceite directamente de fábrica. No es necesario añadir aceite.

Inspección de la bomba

Debe realizar una inspección visual de rutina de la bomba de la hidrolavadora a presión. Si ve que pierde aceite en las juntas de la bomba, lleve la hidrolavadora a presión a un servicio técnico autorizado de Kärcher. (Puede localizar a un servicio técnico en su zona online en: <https://www.kaercher.com/us/find-a-dealer.html> si se encuentra en los EE.UU. o <https://www.kaercher.com/ca/support/services/home-and-garden.html> si se encuentra en Canadá.

Mantenimiento de la bomba

La bomba de su hidrolavadora Kärcher no requiere mantenimiento. Cualquier intento de revisar o modificar la bomba puede dañar su hidrolavadora a presión y anular su garantía.

Motor

Llevar a cabo las tareas de mantenimiento del motor de acuerdo con las especificaciones indicadas en las instrucciones de funcionamiento del fabricante del motor.

Limpiieza de cubiertas

(Con o sin detergente). Pre-enjuague la cubierta y el área circundante con agua limpia. Si utiliza Kärcher Multi-purpose Cleaner (número de parte 9.558-144.0, se vende por separado), aplíquelo en la superficie a baja presión. Para obtener mejores resultados, divida el área de trabajo en aprox. 2,3 m² (25 pies²). Deje el Kärcher Multipurpose Cleaner sobre la superficie durante 1-3 minutos. No deje que se seque el detergente sobre la superficie. Usando la boquilla blanca de 40 grados, enjuague a alta presión con un movimiento de barrido largo manteniendo la boquilla rociadora aproximadamente a 35 pulgadas (90 cm) y acérquese lentamente a la superficie hasta lograr los resultados deseados. Asegúrese de no causar ningún daño a la superficie antes de limpiar el resto de la plataforma. Limpie siempre de arriba hacia abajo y de izquierda a derecha. Cuando pase a la siguiente sección de la superficie a limpiar, asegúrese de solapar la nueva sección con la sección anterior para evitar que queden marcas y garantizar, así, un resultado homogéneo. Para más información, diríjase a <https://www.kaercher.com/int/home-garden/know-how/cleaning-wooden-decking.html>

Autos, Barcos & Motocicletas

(Con o sin detergente). Pre-enjuague el vehículo con agua limpia. Si utiliza Kärcher Vehicle Wash and Wax (número de parte 9.558-946.0, se vende por separado), aplíquelo en la superficie a baja presión. Para obtener mejores resultados, limpie un lado del vehículo cada vez y aplique siempre el detergente de abajo a arriba. No deje que el detergente se seque sobre la superficie. Si es necesario, utilice un accesorio especial con cepillo de lavado (no incluido) para quitar la suciedad difícil. Usando la boquilla blanca de 40 grados, enjuague a alta presión con un movimiento de barrido largo manteniendo la boquilla rociadora aproximadamente a 35 pulgadas (90 cm) y acérquese lentamente a la superficie a no más de 25 pulgadas (60 cm) hasta lograr los resultados deseados (la distancia debe aumentar al enjuagar pin-striping u otras superficies sensibles). Limpie siempre de arriba

a abajo y de izquierda a derecha. Para obtener mejores resultados, seque la superficie con una gamuza o un trapo suave y seco. Para más información, diríjase a <https://www.kaercher.com/int/home-garden/know-how/car-care.html> and <https://www.kaercher.com/int/home-garden/know-how/motorcycle-cleaning.html>

Revestimiento de la casa

(Con o sin detergente). Pre-enjuague la superficie a limpiar con agua limpia. Si utiliza Kärcher Multi-purpose Cleaner (número de parte 9.558-946.0, se vende por separado), aplíquelo a la superficie a baja presión (para obtener mejores resultados, divida la zona de trabajo en secciones de aproximadamente 1.8 metros (6 pies) y aplique siempre el detergente de abajo a arriba. Deje el Kärcher Multipurpose Cleaner sobre la superficie durante 1-3 minutos. No deje secar el detergente sobre la superficie. Si ve que la superficie se va a secar, simplemente moje la superficie con agua limpia. Si es necesario, utilice un accesorio especial como cepillo de lavado (número de parte 8.923-682.0 Cepillo de lavado giratorio, se vende por separado) para quitar la suciedad difícil. Usando la boquilla blanca de 40 grados, enjuague a alta presión con un movimiento de barrido largo manteniendo la boquilla rociadora aproximadamente a 35 pulgadas (90 cm) y acérquese lentamente a la superficie hasta lograr los resultados deseados. Asegúrese de no causar ningún daño a la superficie antes de limpiar el resto del revestimiento.

Patios de cemento, ladrillos y piedra

(Con o sin detergente). Pre-enjuague la superficie a limpiar con agua limpia. Si utiliza Kärcher Multipurpose Cleaner (número de parte 9.558-144.0, se vende por separado), aplíquelo en la superficie a baja presión. Para obtener mejores resultados, divida el área de trabajo en pequeñas secciones de aprox. 2.3 m² (25 pies²). Deje el Kärcher Multipurpose Cleaner, sobre la superficie durante 1-3 minutos. No deje que se seque el detergente sobre la superficie. Usando la boquilla blanca de 25 grados, enjuague a alta presión con un movimiento de barrido largo manteniendo la boquilla rociadora aproximadamente a 25 pulgadas

(60 cm) y acérquese lentamente a la superficie hasta lograr los resultados deseados. Asegúrese de no causar ningún daño a la superficie antes de limpiar el resto de la superficie. Limpie siempre de arriba hacia abajo y de izquierda a derecha. Limpie siempre de arriba a abajo y de izquierda a derecha. Para quitar manchas especialmente difíciles, utilice una boquilla Turbo Nozzle (número de parte 8.641-034.0, se vende por separado). Para más información, diríjase a <https://www.kaercher.com/us/home-garden/application-tips/mossy-brick-and-stone.html>

Parrillas, equipos exteriores con motor y herramientas de jardín

(Con o sin detergente). Pre-enjuague la superficie a limpiar con agua limpia. Si utiliza Kärcher Multipurpose Cleaner número de parte (9.558-144.0, se vende por separado), aplique el detergente a baja presión. Deje el Kärcher Multipurpose Cleaner sobre la superficie 1-3 minutos. No deje que el detergente se seque sobre la superficie. Usando la boquilla blanca de 40 grados, enjuague a alta presión con un movimiento de barrido largo manteniendo la boquilla rociadora aproximadamente a 35 pulgadas (90 cm) y acérquese lentamente a la superficie hasta lograr los resultados deseados. Para eliminar la suciedad más persistente, puede ser necesario acercarse aún más a la boquilla rociadora a la superficie para lograr una mayor acción de corte de la suciedad, asegúrese de no causar ningún daño a la superficie.

Mobiliario de patios y jardines

(Con o sin detergente). Pre-enjuague el mueble y el área circundante con agua limpia. Si utiliza Kärcher Multipurpose Cleaner, aplíquelo a la superficie a baja presión. Deje el Kärcher Multipurpose Cleaner sobre la superficie durante 1-3 minutos. No deje que se seque el detergente sobre la superficie. Si es necesario, utilice un accesorio especial con cepillo de lavado (número de parte 8.923-682.0 Cepillo de lavado giratorio, se vende por separado) para quitar la suciedad difícil. Usando la boquilla blanca de 25 grados, enjuague a alta presión con un movimiento de barrido largo manteniendo la boquilla rociadora aproximada-

mente a 25 pulgadas (60 cm) y acérquese lentamente a la superficie hasta lograr los resultados deseados. Asegúrese de no causar ningún daño a la superficie antes de limpiar el resto de la superficie. Para obtener mejores resultados, limpie de arriba a abajo y de izquierda a derecha. Para más información, diríjase a <https://www.kaercher.com/us/home-garden/application-tips/garden-furniture-cleaning.html>

Recomendaciones

- Antes de limpiar cualquier superficie, pruebe el patrón de rociado y la distancia en un área discreta.
- Si las superficies pintadas se están pelando o despintando, extreme las precauciones, ya que la hidrolavadora a presión podría arrancar la pintura suelta de la superficie.
- Cuando se utilice en superficies que puedan entrar en contacto con comida, enjuáguelas abundantemente con agua potable.
- Para consejos adicionales de limpieza, visita nuestra página web en: [karcher.com/us](https://www.kaercher.com/us) o [karcher.com/ca](https://www.kaercher.com/ca)

Accesorios opcionales

Disponemos de accesorios de limpieza opcionales para mejorar la capacidad de limpieza. Estos accesorios son precisos desde la fecha de impresión de este manual. Consulte nuestra página Web [karcher.com/us](https://www.kaercher.com/us) o [karcher.com/ca](https://www.kaercher.com/ca) para obtener información acerca de precios e información actualizada.

- Extensión de Manguera
- Boquilla Turbo
- Limpiador de superficies de 15 "

LOCALIZACIÓN Y REPARACIÓN DE AVERÍAS

⚠️ ATENCIÓN

Desconectar la bujía para evitar que el motor se encienda de forma involuntaria antes de realizar cualquier reparación.

Problema	Causa	Solución
EL MOTOR NO ARRANCA	No hay gasolina	Llenar el depósito de gasolina
	Interruptor de encendido apagado	Gire el interruptor a la posición de encendido
	Presión de agua atrapada en la máquina.	Apretar el gatillo para liberar presión
	Si tiene más problemas con el motor consulte el manual del motor.	
LA UNIDAD NO LLEGA A LA ALTA PRESIÓN	El diámetro de la manguera de jardín es demasiado pequeño.	Sustituir con una manguera de jardín con diámetro interno de 5/8 pulgadas o más.
	El suministro de agua está restringido.	Compruebe si la manguera de jardín tiene grietas, fugas o si está obstruida
	El suministro de agua de entrada no es suficiente.	Abra el grifo de agua del todo. Compruebe si la manguera de jardín tiene grietas, fugas o si está obstruida
	El filtro de entrada de agua está obstruido.	Quite el filtro y enjuáguelo en agua caliente
	La boquilla de detergente negra está conectada.	Quitar la boquilla de detergente negra y colocar la boquilla para alta presión.
LA PRESIÓN DE SALIDA VARÍA ENTRE ALTA Y BAJA PRESIÓN	El suministro de agua de entrada no es suficiente.	Abra el grifo de agua del todo. Compruebe si la manguera de jardín tiene grietas, fugas o si está obstruida.
	La bomba está succionando aire	Compruebe que las mangueras y conectores están bien apretados. Apague el aparato y purgue la bomba apretando la pistola de disparo hasta que salga un caudal constante de la boquilla
	El filtro de entrada de agua está obstruido.	Remueva el filtro y enjuáguelo en agua caliente
	La boquilla atomizadora está obstruida	Limpie con aire comprimido o quite la suciedad con una aguja fina.
	Pistola, manguera o lanza calcificados	Vierta vinagre destilado por el tubo de succión de detergente.
NO SUCCIONA DETERGENTE	El tubo de succión de detergente no está correctamente conectado al aparato	Compruebe la conexión
	Tubo de aspiración de detergente plegado	Con la máquina y el agua apagadas, separe el tubo de succión para ayudar a desplegar y volver a conectar.

LOCALIZACIÓN Y REPARACIÓN DE AVERÍAS

Problema	Causa	Solución
NO SUCCIONA DETERGENTE	El detergente está demasiado espeso	Diluya el detergente. Para obtener mejores resultados utilice detergente Kärcher
	El filtro del tubo de succión de detergente está obstruido	Deje correr agua caliente por el filtro para quitar la suciedad
	El tubo de succión de detergente está dañado u obstruido	Quite la obstrucción o reemplace el tubo de succión de detergente.
	Está colocada una boquilla de alta presión	Sustituir por una boquilla de detergente negra
	La boquilla atomizadora está atascada	Limpie con aire comprimido o quite la suciedad con una aguja fina
LA CONEXIÓN DE LA MANGUERA DE JARDÍN FUGA	Las conexiones están sueltas	Apriete las conexiones
	No hay empaque de caucho o está desgastado	Inserte un empaque nuevo
LA LANZA FUGA	La lanza no está montado correctamente	Girar la conexión giratoria de la pistola en el sentido de las agujas del reloj hasta ajustar la conexión
	Anillo tórico o inserción de plástico rotos	Llame a los números de teléfono de soporte enumerados en la sección de Servicio al cliente. Visite www.karcher-help.com o localice un centro de servicio en www.karcher.com/us o www.karcher.com/ca
LA BOMBA HACE RUIDO	La bomba está succionando aire	Compruebe que las mangueras y conectores están bien apretados. Apague el aparato y purgue la bomba apretando la pistola de disparo hasta que salga un caudal constante de la boquilla
FUGA AGUA DE LA BOMBA (HASTA 10 GOTAS POR MINUTO ES PERMISIBLE)	Las conexiones están sueltas	Compruebe las conexiones
	Los empaques de agua están dañados o desgastados	Visite www.karcher-help.com o localice un centro de servicio en www.karcher.com/us o www.karcher.com/ca
	La válvula de protección térmica esta activada	La válvula de protección térmica del dispositivo se reestablecerá automáticamente. No poner la bomba en funcionamiento durante más de 5 minutos sin activar la pistola.
GOTEO DE ACEITE	Los empaques de aceite están dañados o desgastados	Visite www.karcher-help.com o localice un centro de servicio en www.karcher.com/us o www.karcher.com/ca

Si la avería que usted esta experimentando no esta en la lista de arriba, o si las soluciones aportadas no resuelven su problema, por favor busque y contacte a servicio técnico en:

www.karcher-help.com or www.karcher.com/ca/support/faqs.html

Lavadoras De Alta Presión

Garantía limitada de 3 años

KÄRCHER

Este producto de Kärcher está garantizado contra defectos de fabricación y materiales en condiciones de uso normal.

La garantía específica se aplica a:

- Los motores Kärcher de las serie KPS y XKS tienen garantía de tres (3) años para repuestos y ser atendido en un centro de servicio de Kärcher.
- Los motores Honda de la serie GX tienen garantía de tres (3) años para repuestos y mano de obra y son reparados por un centro de servicio autorizado de Honda.
- Las bombas están garantizadas por tres (3) años de piezas y mano de obra y son atendidas por un centro de servicio de Kärcher.
- Los chasis, los manubrios y los tanques de detergente y otros componentes estructurales tienen una garantía de tres (3) años en piezas y mano de obra.
- **Los accesorios y complementos estándar están garantizados por un período de noventa (90) días.**
- **Cualquier uso comercial, industrial o de alquiler de este equipo ANULARÁ la garantía.**

El período de garantía se calcula a partir de la fecha de compra por el usuario final y cubre el costo de piezas de repuesto / equipos y trabajo realizado bajo garantía. Con el fin de verificar una situación de garantía, la máquina deberá ser evaluada por un centro de servicio autorizado de Kärcher. Una copia del recibo de compra original o recibo de regalo del vendedor original también debe acompañar el reclamo de garantía. Para localizar el centro de servicio autorizado de Kärcher más cercano, visite nuestro sitio www.karcher-help.com o www.karcher.com/ca/support/faqs.html

Su dispositivo debe estar registrado para poder ayudarlo con cualquier pregunta o problema que tenga. Puede registrar su dispositivo en www.karcher-register.com.

La obligación de Kärcher bajo esta garantía será estrictamente limitada, a opción de Kärcher, ya sea a cambiar o reparar, directamente a través de Kärcher o a través de un distribuidor de servicio autorizado Kärcher sin cargo durante el periodo de garantía cualquier pieza, que en la opinión del fabricante, muestre defectos materiales o de mano de obra. El servicio se programará según el caudal normal de trabajo y el horario de atención del centro de servicio, y la disponibilidad de los repuestos. Todas las decisiones de Kärcher respecto de esta garantía limitada serán definitivas.

Esta garantía no cubre:

- Mercadería vendida como reacondicionada, usada, de demostración o de exhibición.
- Mercancía comprada a través de eBay y otras webs de subasta en línea.
- Daños causados por mal uso, negligencia, accidente, abuso, manejo incorrecto, congelación, desgaste normal o incumplimiento del manual del operador.
- Daños causados por sedimentos de agua, suministro de agua contaminada o el uso de productos químicos y detergentes no aprobados o recomendados por Kärcher.

INFORMACIÓN DE GARANTÍA

- Daños causados por desastres naturales tales como inundaciones, incendios, terremotos, rayos, etc.
- Dispositivos o accesorios no distribuidos o aprobados por Kärcher. Cualquier uso de los mencionados dispositivos o accesorios anulará la garantía implícita.
- Reparaciones realizadas por el usuario final o cualquier centro de servicio no autorizado por Kärcher. Cualquier alteración de los equipos o accesorios Kärcher anulará la garantía implícita.
- Los costos de envío incurridos por el cliente o el centro de servicio autorizado de la pieza o el equipo supuestamente defectuoso.

Esta garantía no es transferible y se aplica únicamente a los productos adquiridos a través de un distribuidor autorizado de Kärcher en los Estados Unidos y Canadá. Los equipos proporcionados, pero no fabricados por Kärcher, como los motores de gasolina Honda y Kohler, están sujetos a garantías y servicio a través de los centros de servicio de dicho fabricante de acuerdo con los términos y condiciones proporcionados por el fabricante del equipo original respectivo. Kärcher no está autorizado y no tiene la responsabilidad de proporcionar servicio de garantía para Honda. Esta garantía le otorga derechos legales específicos. Es posible que tenga otros derechos, que varían según el país y el estado/provincia.

Por favor, regístrese en línea en www.karcherresidential.com/warranty or karcher.com/ca

El registro en línea es rápido, gratuito y le proporciona un mensaje de confirmación para sus archivos.



THANK YOU!
MERCI! DANKE! ¡GRACIAS!



Registrieren Sie Ihr Produkt und profitieren Sie von vielen Vorteilen.

Register your product and benefit from many advantages.

Enregistrez votre produit et bénéficiez de nombreux avantages.

Registre su producto y aproveche de muchas ventajas.

www.kaercher.com/welcome



Bewerten Sie Ihr Produkt und sagen Sie uns Ihre Meinung.

Rate your product and tell us your opinion.

Évaluer votre produit et dites-nous votre opinion.

Reseñe su producto y díganos su opinión.



www.kaercher.com/dealersearch

Alfred Kärcher SE & Co. KG

Alfred-Kärcher-Str. 28-40

71364 Winnenden (Germany)

Tel.: +49 7195 14-0

Fax: +49 7195 14-2212

