

ASSEMBLY MANUAL
B200 196cc

GAS POWERED MINIBIKE



POWERSPORTS



POWERSPORTS

4120 E. Scyene Road, Mesquite, Texas 75181

champmoto.com



CAUTION

This Minibike was shipped without engine oil. Always fill with the correct amount and grade of engine oil as listed in the owner's manual.

⚠ WARNING

NEVER ATTEMPT TO START THIS MINIBIKE WITHOUT READING AND UNDERSTANDING THE OWNER'S / OPERATOR'S MANUAL. THE OWNER'S OPERATOR'S MANUAL PROVIDES INFORMATION ON SAFETY, PARTS, FUNCTIONS, PRE-RIDE INSPECTION, STARTING AND MAINTENANCE

Provincial/Municipal governments have different regulations pertaining to owning and operating an off-road vehicle, learn the regulations in your area.

4120 E. Scyene Road, Mesquite, Texas 75181
champmoto.com



@colemanpowersportsusa




@colemanpowersports_usa



Coleman Powersports

REMOVAL FROM CRATE


Assembly Instructions



CAUTION
ASSEMBLY/RIDE/INSPECTION INSTRUCTIONS

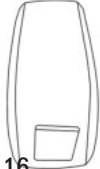
WARNING

Right Pedal Assembly




Axis Pin 8x40
Cotter Pin
M8 Washer
Right pedal
Spring


Owner's Manual




M6 x 16 Front Fender



M6
M6 x 16 Bolts (4)

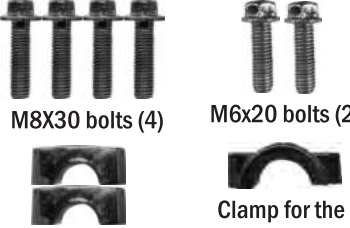


M6 Washers (4)




M6 Nuts (4)

Handle Bar Assembly



M8x30 bolts (4)
M6x20 bolts (2)
Clamps (2)
Clamp for the brake

Front Wheel Assembly



M12x32 Axle Bolt
M12 Lock nut
Front wheel
Spacers (2)

REMOVAL FROM CRATE

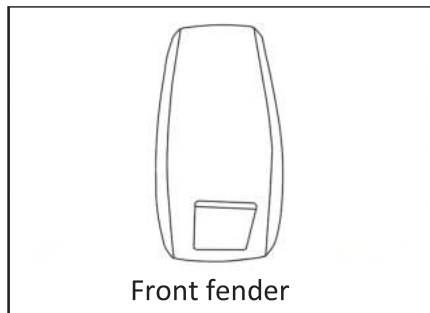
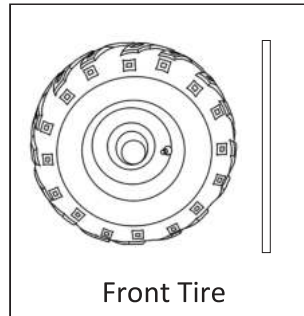
1. Remove metal crate from around MINI BIKE.

2. Locate and Remove Owner's/Operator's manual, set up instructions and documentation.

Note: Read Owner's / Operator's manual thoroughly before starting MINI BIKE for the first time.

3. Locate and remove all parts and hardware from crate and set aside.

Note: Some hardware may already be mounted on some locations of the minibike. This hardware will need to be removed, then re-attached during assembly.



PRE-RIDE INSPECTION

Inspecting and checking the condition of the Mini Bike before each ride is important. Following the pre-ride check list will help insure there are no problems which could result in injury or becoming stranded. Make sure the Mini Bike is in good operating condition before each ride.

⚠ WARNING
 Failing to inspect and maintain the Mini Bike could be hazardous.
 Not following the pre-ride inspection procedures could result in losing control of the Mini Bike resulting in an accident or damage to the Mini Bike
 Always perform a Pre-ride inspection before each ride.

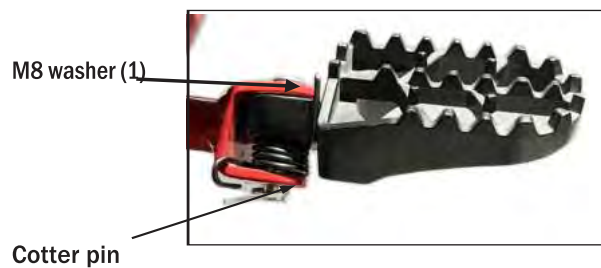
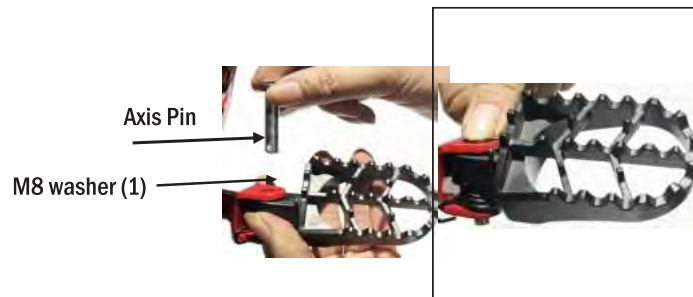
⚠ WARNING
 Performing maintenance and checks while the engine is running could be hazardous.
 You could be severely injured by moving parts or hot surfaces.
 Never perform maintenance or check procedures while the engine is running with the exception of checking the engine stop switch or throttle.

WHAT TO CHECK	CHECK FOR
Steering	<ul style="list-style-type: none"> Smoothness No restriction of movement
Brakes	<ul style="list-style-type: none"> Proper brake lever play
Tires	<ul style="list-style-type: none"> Proper tire pressure
Fuel Tank	<ul style="list-style-type: none"> Enough fuel for the ride Fuel cap secure Hoses have no signs of cracks or leaks
Throttle grip	<ul style="list-style-type: none"> Throttle grip snaps back to idle when released Operates freely Has correct free play
Engine Stop Switch	<ul style="list-style-type: none"> Switch shuts off engine when activated.
Engine Oil	<ul style="list-style-type: none"> Correct oil level
Drive Chain	<ul style="list-style-type: none"> Proper tension Lubricated
General Condition	<ul style="list-style-type: none"> Axle nuts tight All nuts and bolts tight No rattles from engine or frame while running

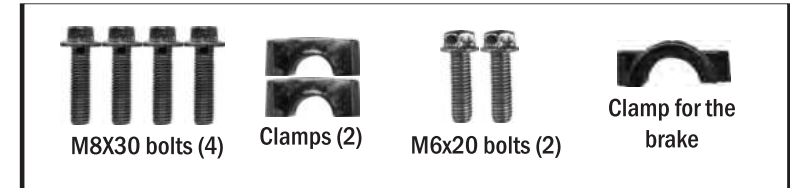
RIGHT PEDAL ASSEMBLY



1. Insert pedal in right foot peg bracket
2. Place spring in between
3. Place M8 washer between the washer and pedal, as shown (1)
4. Install axis pin through pedal, washer and spring
5. Secure parts with cotter pin at the bottom of the axis pin.



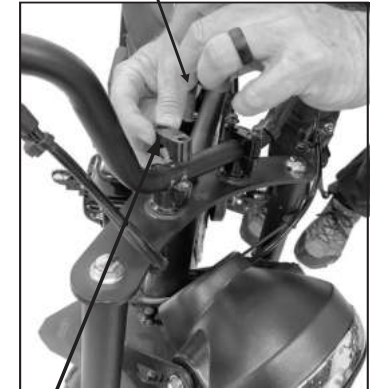
HANDLEBAR ASSEMBLY



Tools needed



M8 x 32 Bolt

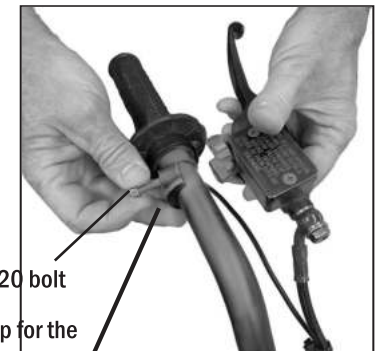


1. Lift up handle bars and center on fork assembly.

CAUTION:

While installing handlebars make sure brake cables, throttle cable and on/off switch wire are not kinked or pinched.

Clamps



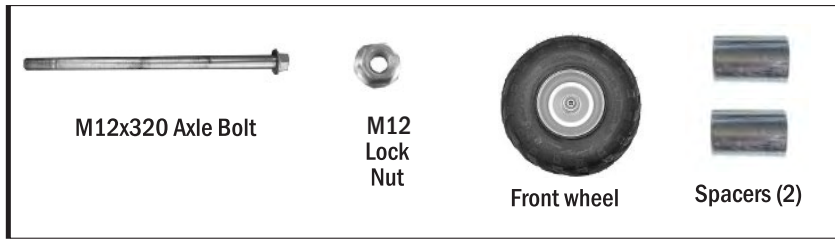
2. Attach handlebars using clamps and M8 x 30 Bolts. Place all four M8 bolts in the clamps and adjust the handlebar to your liking before tightening the bolts in place.

Torque bolts 15 ft./lbs.

3. Adjust the brake lever with M6x20 bolt and clamp.



FRONT WHEEL ASSEMBLY



Tools needed



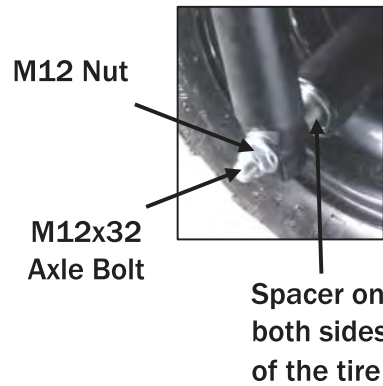
Note: Please make sure tread faces forward.



Tread faces forward



1. Install front tires with M12x32, M12 Nut and Spacer



FRONT FENDER ASSEMBLY

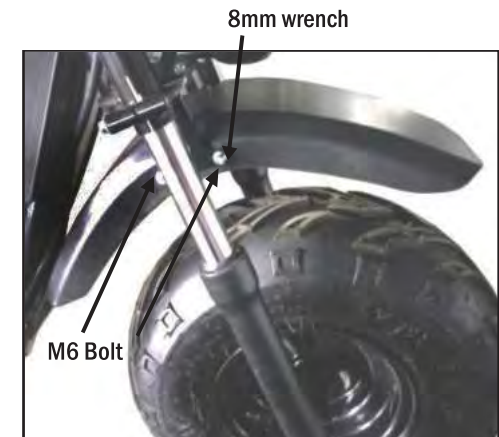


Tools needed

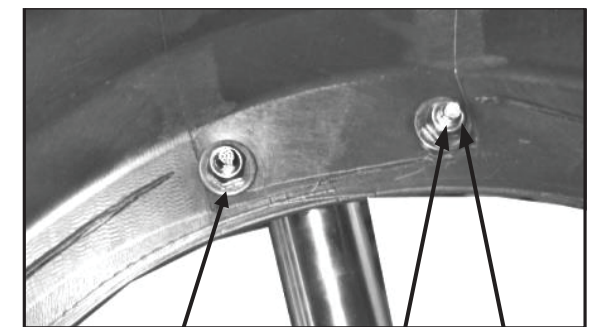


1. Attach front fender with M6X16 Bolts, M6 washers, and M6 nuts.

Note: Round side of fender faces forward.



The front of the mini bike



6mm Washer

M6 Nut 10mm wrench