

# • REPLACEMENT PARTS •

These are replacement parts for purchase. Pictures do not represent contents of set.



## Parts List & Pricing:

00767 - 1	M16 Crown Nut & Cotter Pin .....	\$5.00
00767 - 2	Wheel.....	\$30.00
00767 - 2	Clamps - 3 Pcs. ....	\$12.50

Send Check or Money Order with Phone Number to:  
**Tech Team**  
 P.O. Box 983  
 Middleburgh, NY 12122  
 NYS Resident add appropriate% Sales Tax

\*\* \$10.00 Shipping & Handling to Lower 48 States\*\*

\*\* \$25.00 Shipping & Handling to Alaska, Hawaii, Puerto Rico\*\*

## WARRANTY AND DISCLAIMERS

TECH TEAM® guarantees that its products are free from defects in material and workmanship for a period of 90 days from the original date of purchase. For electronic items (anything that requires a battery), the warranty period is also 90 days. This Warranty applies to non-commercial use only. Commercial use voids this warranty. In the event of any defects in material or workmanship, TECH TEAM®'s sole liability therefore shall be the replacement of any such product(s) and/or components that are defective in material or workmanship. The replacement of any such product(s) and/or components shall be TECH TEAM® sole responsibility. This warranty specifically excludes any and all consequential or accidental damages. No other warranties or liabilities whatsoever are either expressed or implied. If any such warranties shall be imposed by law, notwithstanding this provision, then such warranties shall be the responsibility of TECH TEAM®'s immediate buyer. There shall be no warranties of merchantability, use of trade, or fitness for a particular purpose. Alteration of any product, misuse, or exceeding any stated product limitations voids this warranty. All returns, adjustments, etc. are the responsibility of the retailer/dealer that sold the product. TECH TEAM® handles return issues through it's dealers. It should be obvious when using some of these products that approved protective safety gear, including, but not limited to, eye and ear protection, should be utilized. Using the appropriate safety gear is the sole responsibility of the person(s) using the product. It should also be obvious that certain products must not be consumed, inhaled or taken internally. The user takes full responsibility for inappropriate or incorrect use of these items. Accessories are used in many of our product pictures, as props to illustrate how the products are used. As such, they are not included with any product. All photographs, drawings, copy, instructions, etc. are the exclusive property of TECH TEAM® All downloadable files are intended for the use of the end user of TECH TEAM® products and cannot be reproduced without the express written permission of TECH TEAM® 2021

**WARNING:** This product can expose you to chemicals including Vinyl Acetate, Vinyl Chloride, Epoxy, Zinc, and Acetone which are known to the State of California to cause cancer and/or birth defects or other reproductive harm. For more information go to [www.P65Warnings.ca.gov](http://www.P65Warnings.ca.gov)

**TECH TEAM®**

#00767

# E-Z OPEN® Heavy Duty Cattle Gate Wheel



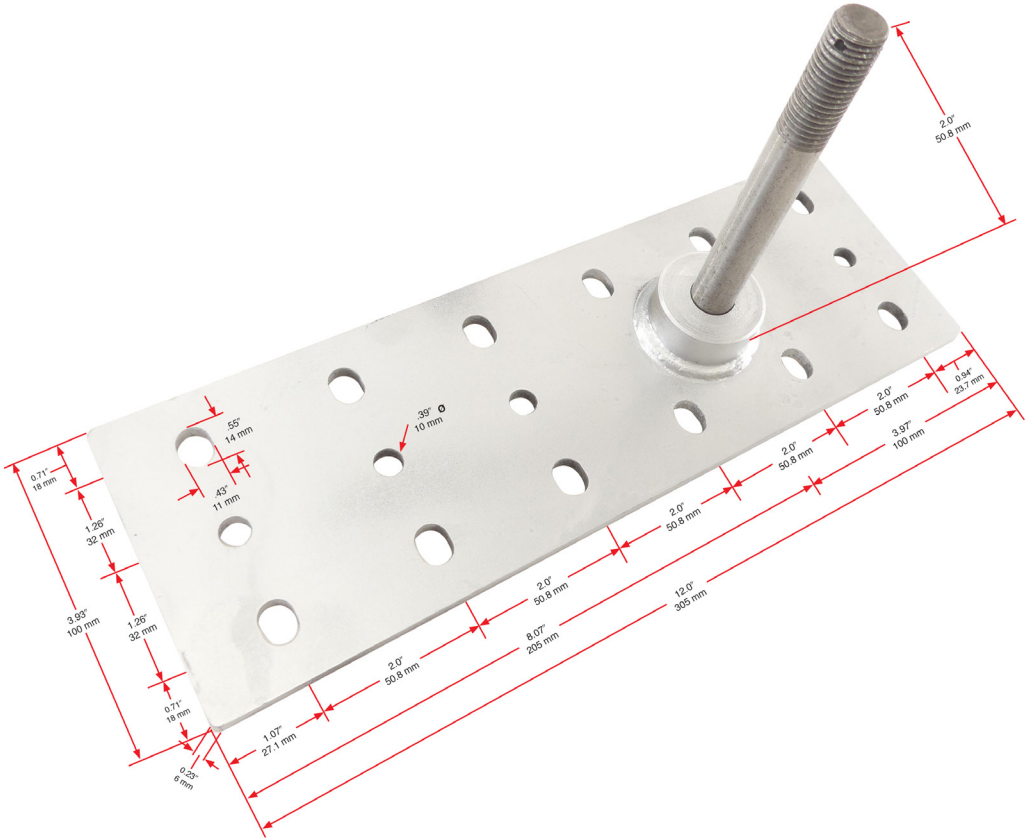
The Tech Team® Heavy Duty Cattle Gate Wheel will support up to 400 lbs. and is designed primarily for tubular steel agricultural gates but can also be used for wood gates, sliding gates, and cyclone fence style gates. The flat free tire and 16" diameter make it the perfect choice for large heavy gates and can easily negotiate uneven surfaces and turf.

To view the installation video go to our YouTube Channel  
<https://www.youtube.com/c/TechTeamProducts>

Tech Team Products P.O. Box 983. • Middleburgh, NY 12122 • 631.673.5975

The Tech Team® 767 Flat Free Commercial Duty Cattle Gate Wheel is designed to support tubular steel agricultural gates by supporting the far end of the gate to facilitate easy opening and closing, and also to reduce stress on the hinge and gate post. In addition, the gate wheel can be used as rollers for gates that open and close by sliding horizontally. The 16" diameter flat free wheel rolls easily over uneven surfaces and turf as opposed to small diameter wheels that would find it difficult to negotiate similar surfaces. The gate wheel bracket is also drilled for easy attachment to cyclone style fence gates, and gates constructed from other materials. The bracket plate is made from 6mm/ 1/4" carbon steel with a 20mm/ 5/8" solid axel that projects 6". The axel and bracket are treated with 96 hour salt spray zinc plating. The wheel has a steel hub with 2 internal sets of ball bearings for smooth rolling and long life.

For detailed instructions go to the following YouTube video:  
<https://www.youtube.com/watch?v=OvmIZtE0lyM>



## 1 STABILIZE GATE



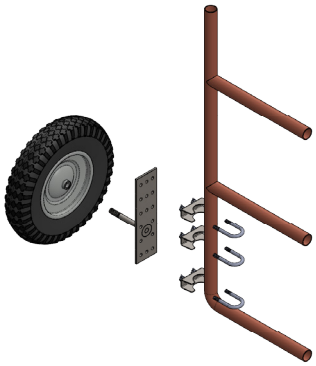
Level and Stabilize Gate - There are many ways to do this, but by far the easiest is to use a jack and a level as shown. This allows you to get the gate precisely where you want it and will also come in handy on the final installation step. Keep in mind, the axel will project 6 1/2".

## 2 SET HEIGHT



With the wheel mounted to the axle, put it up against the gate as shown, elevate the gate with the jack an additional 1/2", now mark where the top edge of the bracket should go.

## 3 MOUNT TO GATE



Fixing the Bracket in Place - Remove the wheel. Fix the bracket to the gate using 2 or 3 clamps. This particular installation shows the large end of the bracket facing up, this gives a wide range of adjustment for gates that have a higher ground clearance. For gates with little ground clearance, rotate the bracket 180°. Tighten the clamps so that nothing moves. The clamps will fit perfectly on a 1 3/4" gate. They might be a little bit tight on a 2" gate, in which case you may need to use a mallet to nudge them into place. However, the holes in the bracket have been made so that they will still accommodate the clamp.

## 4 MOUNT THE WHEEL



Final Steps - Once the bracket has been securely put in place, elevate the gate a little bit, put the wheel on, refasten the castle nut, insert and spread the cotter pin, and the job is finished