

WAGNER

2500

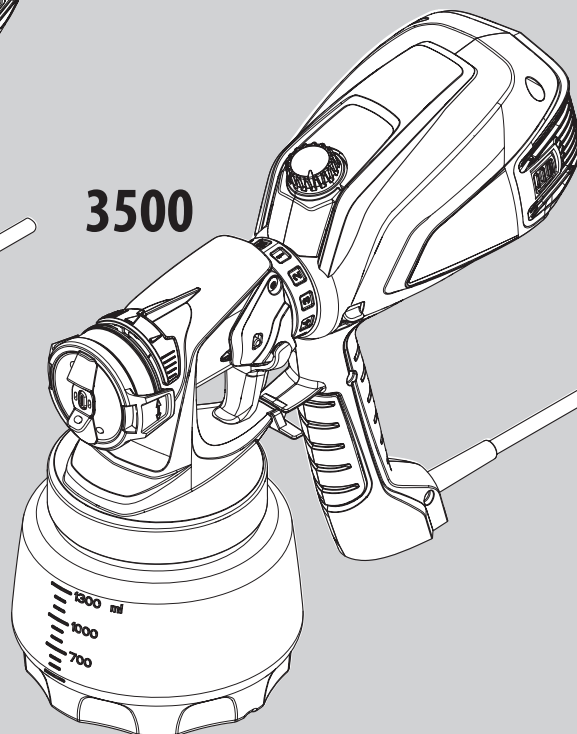
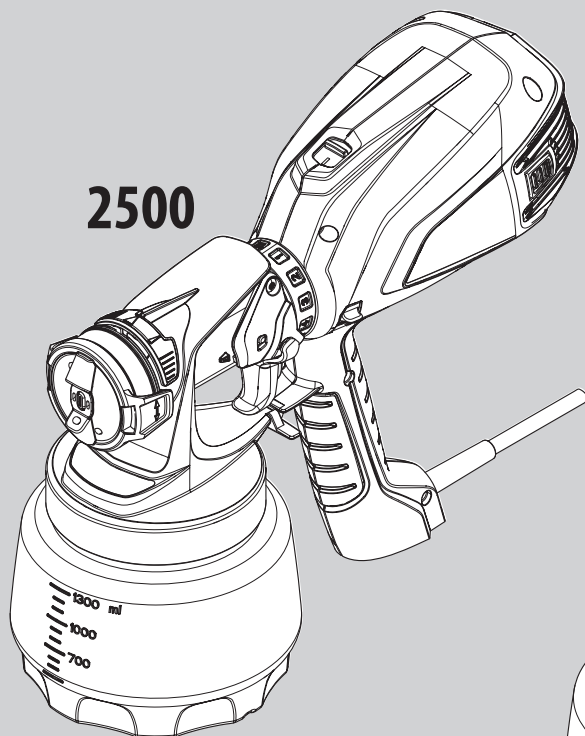


SCAN ME

3500



SCAN ME



FLEXIO™ 2500 / 3500

OWNER'S MANUAL • MANUEL DE L'UTILISATEUR •
MANUAL DE USUARIO

READ THIS MANUAL FOR COMPLETE INSTRUCTIONS •

LIRE CE MANUEL POUR OBTENIR DES DIRECTIVES COMPLÈTES •

LEA ESTE MANUAL PARA OBTENER LAS INSTRUCCIONES COMPLETAS



EN	P. 2
F	P. 16
ES	P. 30

IMPORTANT SAFETY INFORMATION

TABLE OF CONTENTS

IMPORTANT SAFETY INFORMATION	2-3
CONTROLS AND FUNCTIONS	4-5
SETUP	6-7
SPRAYER CONTROLS	8-9
PROPER SPRAYING TECHNIQUE	10-11
CLEANUP	12-13
MAINTENANCE	14
TROUBLESHOOTING	15
PARTS LIST	44-47
WARRANTY	48

EXPLANATION OF SYMBOLS

Read all safety information before operating the equipment. Save these instructions.

To reduce the risks of fire or explosion, electrical shock and the injury to persons, read and understand all instructions included in this manual. Be familiar with the controls and proper usage of the equipment.



→ This symbol indicates a potential hazard that may cause serious injury or loss of life. Important safety information will follow.



Attention

→ This symbol indicates a potential hazard to you or to the equipment. Important information that tells how to prevent damage to the equipment or how to avoid causes of minor injuries will follow.



→ Danger of fire from solvent and paint fumes



→ Danger of explosion from solvent, paint fumes and incompatible materials



→ Electric shock hazard



→ Notes give important information which should be given special attention.

WARNING! CALIFORNIA PROPOSITION 65 WARNING

This product can expose you to chemicals including lead, which are known to the State of California to cause cancer, birth defects, or other reproductive harm.

For more information go to www.P65warnings.ca.gov.

GROUNDING INSTRUCTIONS

This product must be grounded. In the event of an electrical short circuit, grounding reduces the risk of electric shock by providing an escape wire for the electric current. This product is equipped with a cord having a grounding wire with an appropriate grounding plug. The plug must be plugged into an outlet that is properly installed and grounded in accordance with all local codes and ordinances.

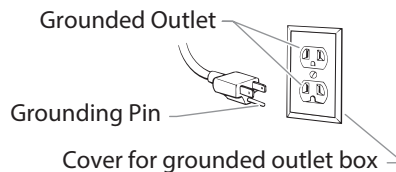


WARNING - Improper installation of the grounding plug can result in a risk of electric shock.

If repair or replacement of the cord or plug is necessary, do not connect the green grounding wire to either flat blade terminal. The wire with insulation having a green outer surface with or without yellow stripes is the grounding wire and must be connected to the grounding pin.

Check with a qualified electrician or serviceman if the grounding instructions are not completely understood, or if you are in doubt as to whether the product is properly grounded. Do not modify the plug provided. If the plug will not fit the outlet, have the proper outlet installed by a qualified electrician.

This product is for use on a nominal 120 volt circuit and has a grounding plug that looks like the plug illustrated below. Make sure that the product is connected to an outlet having the same configuration as the plug. No adapter should be used with this product.



IMPORTANT ELECTRICAL INFORMATION



Use only a 3-wire extension cord that has a 3-blade grounding plug and a 3-slot receptacle that will accept the plug on the product. Make sure your extension cord is in good condition. When using an extension cord, be sure to use one heavy enough to carry the current your product will draw. An undersized cord will cause a drop in line voltage resulting in loss of power and overheating. A 14 gauge or 12 gauge cord is recommended. If an extension cord is to be used outdoors, it must be marked with the suffix W-A after the cord type designation. For example, a designation of SJTW-A would indicate that the cord would be appropriate for outdoor use.



Household use only. Intended for indoor/outdoor use ONLY with materials having flashpoint above 100°F (38°C).

IMPORTANT SAFETY INFORMATION

SAFETY HAZARDS

 	HAZARD: EXPLOSION OR FIRE Flammable vapors, such as solvent and paint vapors, in work area can ignite or explode.
--	---


PREVENTION:

- Do not spray flammable or combustible materials near an open flame, pilot lights or sources of ignition such as hot objects, cigarettes, motors, electrical equipment and electrical appliances. Avoid creating sparks from connecting and disconnecting power cords.
- For use with only water-based or mineral spirit-type materials with a minimum flash point of 100°F (38°C) — Do not spray or clean with liquids having a flash point of less than 100°F (38°C). Flash point is the temperature at which a fluid can produce enough vapor to ignite.
- Verify that all containers and collection systems are grounded to prevent static discharge.
- Connect to a grounded outlet and use grounded extension cords (electric models only). Do not use a 3 to 2 adapter.
- Keep spray area well ventilated. Keep a good supply of fresh air moving through the area to keep the air within the spray area free from accumulation of flammable vapors.
- Do not smoke in the spray area.
- Do not operate light switches, engines, or similar spark producing products in the spray area.
- Keep area clean and free of paint or solvent containers, rags, and other flammable materials.
- Know the contents of the paint and solvents being sprayed. Read all material Safety Data Sheets (SDS) and container labels provided with the paints and solvents. Follow the paint and solvent manufacturer's safety instructions.
- Fire extinguisher equipment shall be present and working.

	HAZARD: ELECTRIC SHOCK This product can cause injury due to electric shock.
---	---

PREVENTION:

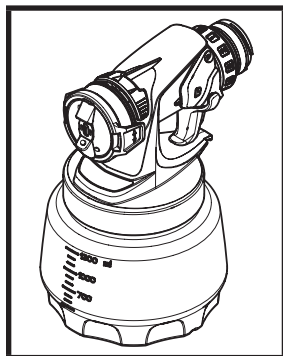
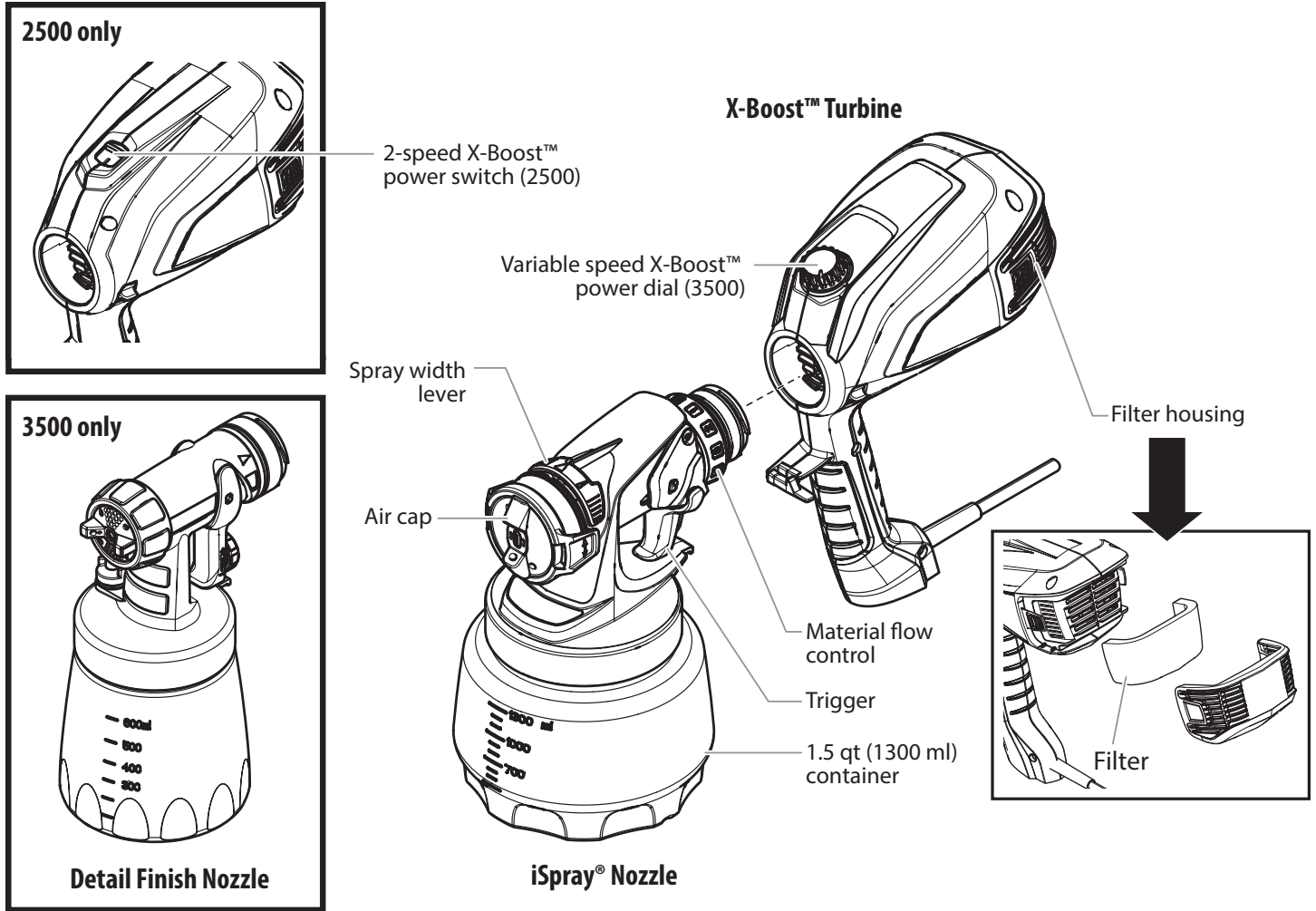
- Power cord must be connected to a grounded circuit.
- Never submerge electrical parts.
- Never expose the equipment to rain. Store indoors.
- Keep electrical cord plug and spray gun trigger free from paint and other liquids. Never hold the cord at plug connections to support the cord. Failure to observe may result in an electrical shock.

	HAZARD: GENERAL This product can cause severe injury or property damage.
---	--

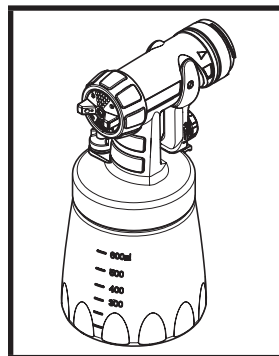
PREVENTION:

- Always wear appropriate gloves, eye protection, clothing and a respirator or mask when painting. Hazardous vapors – Paints, solvents, insecticides, and other materials can be harmful if inhaled or come in contact with body. Vapors can cause severe nausea, fainting or poisoning.
- Do not operate or spray near children. Keep children away from equipment at all times.
- Do not overreach or stand on an unstable support. Keep effective footing and balance at all times.
- Stay alert and watch what you are doing.
- Do not operate the unit when fatigued or under the influence of drugs or alcohol.
- Never aim spray gun at any part of the body.
- Follow all appropriate local, state, and national codes governing ventilation, fire prevention, and operation.
- The United States Government Safety Standards have been adopted under the Occupational Safety and Health Act (OSHA). These standards, particularly part 1910 of the General Standards and part 1926 of the Construction Standards should be consulted.
- Use only manufacturer authorized parts. User assumes all risks and liabilities when using parts that do not meet the minimum specifications and safety devices of the turbine manufacturer.
- Power cord must be connected to a grounded circuit.
- Do not spray outdoors on windy days.

CONTROLS AND FUNCTIONS

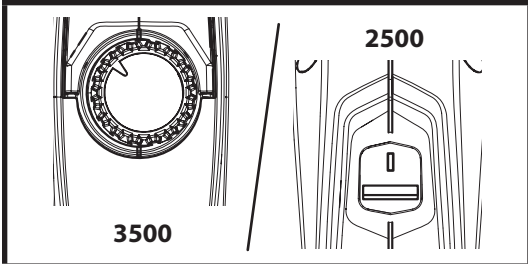


iSPRAY NOZZLE
FLEXiO sprayer model 2500 / 3500
For large projects
 Designed to provide a roller-like finish on broad indoor and outdoor surfaces. Sprays un-thinned materials including un-thinned latex.



DETAIL FINISH NOZZLE
FLEXiO sprayer model 3500 only
For small projects
 Ideal for detail projects and finer finishes. It is designed for spraying thinner materials, such as oil based stains and paints. The Detail Finish nozzle leaves a smoother finish.

CONTROLS AND FUNCTIONS

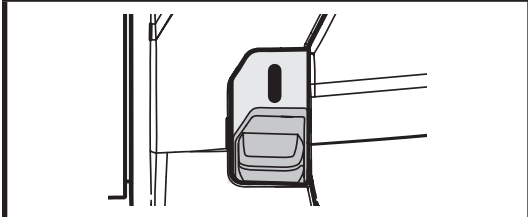


X-BOOST™ POWER DIAL / SWITCH

The X-Boost power dial / switch adjusts the level of air power produced by the turbine.

The FLEXiO sprayer model 3500 is equipped with a variable speed air power control (1 - 12).

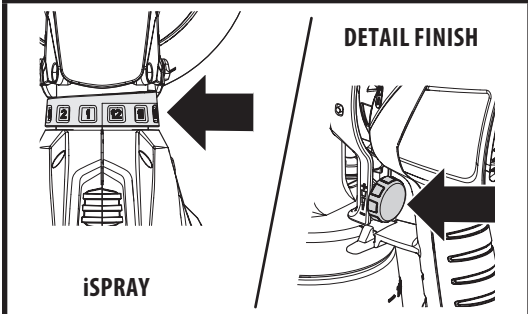
The FLEXiO sprayer model 2500 is equipped with a 2-speed air power control (HI / LO).



ON / OFF SWITCH

The ON/ OFF switch turns the turbine ON (I) and OFF (O).

No spray material will be delivered until trigger is pulled.

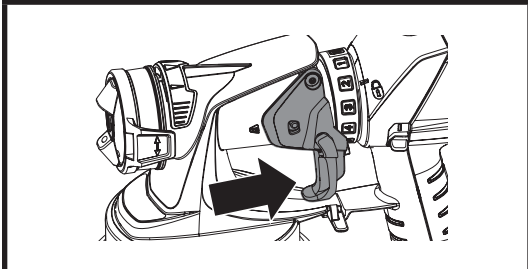


MATERIAL FLOW CONTROL

The material flow control determines the amount of spray material that is sprayed from the spray nozzle.

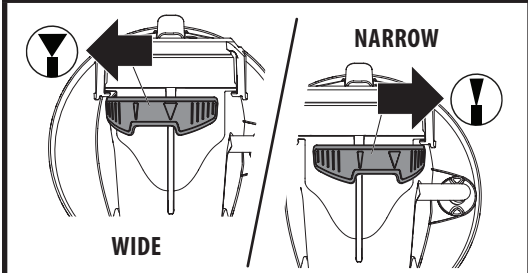
iSpray Nozzle - The material flow can be adjusted incrementally from 1 (minimum) to 12 (maximum) by turning the adjustable material flow control.

Detail Finish Nozzle (3500 only) - Set the material flow by turning the red knob on the trigger of the spray gun.



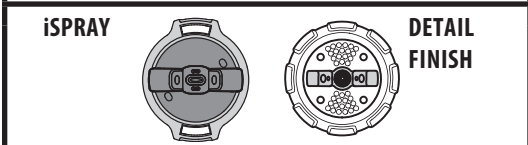
TRIGGER

Pulling the trigger will deliver material from the material container to the nozzle assembly, where it is sprayed.



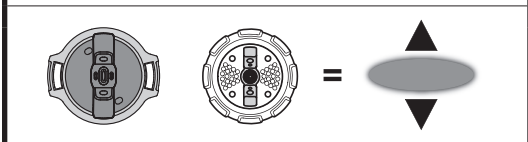
SPRAY WIDTH LEVER (iSPRAY ONLY)

The spray width lever determines the width of the spray pattern.

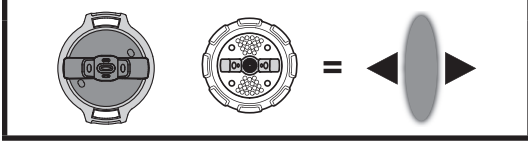


ADJUSTMENT RING

The spray pattern shape is adjusted by turning the adjustment ring to either the vertical or horizontal positions.



Horizontal pattern (use 'up and down' spraying motion)



Vertical pattern (use 'side to side' spraying motion)

SETUP



For a video showing how to set up the FLEXiO 2500/3500, visit:

www.wagnerspraytech.com/flexio2500support

www.wagnerspraytech.com/flexio3500support

SPRAYABLE MATERIALS (WATER AND OIL-BASED)

- Latex and oil-based paints
- Decorative paints
- Semi-Transparent stain
- Solid stains
- Water-based lacquers
- Urethanes

MATERIAL PREPARATION



Material to be sprayed may need to be strained to remove any impurities in the paint which may enter and clog the system. Impurities in the paint will give poor performance and a poor finish.

*THINNING THE MATERIAL

Before spraying, the material being used may need to be thinned. Never exceed the thinning advice given by the coating manufacturer.

If thinning is necessary, use water for water-based materials, mineral spirits for oil-based materials.



Only thin the material if absolutely necessary to improve spray performance. Optimal spray performance should be achieved simply by adjusting the various controls on the unit.



Do not thin with materials that have a flashpoint below 100°F (38°C).

SETUP

ASSEMBLY



NEVER point the spray gun at any part of the body.

Make sure the power cord is unplugged.

1. Stir the spraying material thoroughly.
2. Fill the container. Use a strainer to remove any particles.
(see **Thinning the Material**, previous page, if thinning is required).
3. Align the pickup tube -
 - A If spraying downward, the angled end of the pickup tube should be pointing toward the front of the nozzle.
 - B If spraying upward, the angled end of the pickup tube should be pointing toward the rear of the nozzle.



Make sure the pickup tube is inserted as far as it will go to ensure a tight fit.



Attention

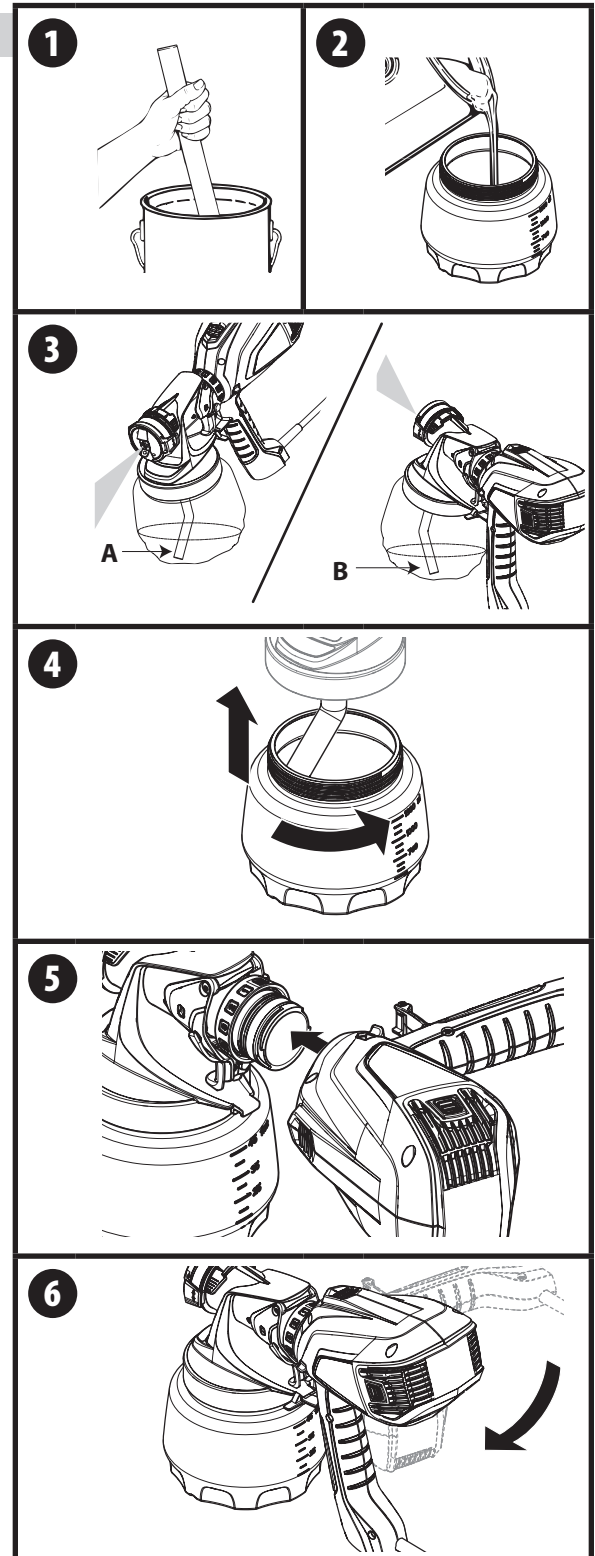
Never tip the sprayer upwards at more than a 45° angle. Material could get into the turbine and damage the sprayer.

4. Carefully screw the cup back onto the nozzle assembly. Tighten firmly.
5. Align the nozzle and the turbine approximately as shown.
6. Insert and twist the nozzle into the turbine toward the "lock" symbol on the turbine.
The tab below the trigger will lock the two pieces into place.



Attention

Do not pull trigger at any time if the turbine is not running. Paint will drip from the nozzle.



SPRAYER CONTROLS



Spray performance will depend upon a number of factors: material thickness, air power, spray pattern selected, and material flow. Testing different variations of the control settings will help you achieve the desired results. See descriptions and suggested Power and Material Settings Guide below to help with your project.

X-BOOST™ POWER DIAL / SWITCH

The X-Boost™ power dial / switch adjusts the level of air pressure produced by the turbine. The X-Boost™ power dial / switch is factory-set at maximum out of the box.

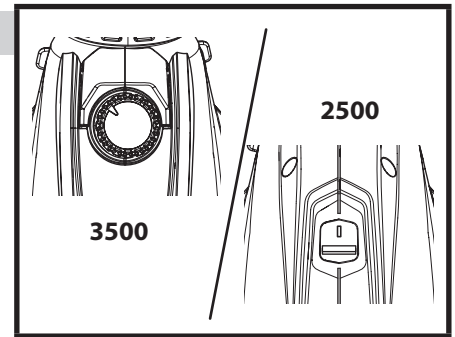
Variable Air Power Control - The FLEXiO model 3500 is equipped with a variable air power control (1-9).

2-Speed Air Power Control - The FLEXiO model 2500 is equipped with a 2-speed air power control (high / low).

- A high air power level will result in faster coverage and a smoother finish with thicker materials.
- Lowering the air power will result in larger drops of material being sprayed from the gun, and will create a slightly rougher finish.

Tip: The thicker the material you are spraying, the higher the turbine power you will need.

Tip: For fine-finish work with thinner materials, you may want to decrease the air power. Spraying a thinner material at high air power will result in more overspray. Overspray is sprayed material that does not stick to the spray surface and bounces back.



MATERIAL FLOW CONTROL

The material flow control determines the amount of spray material that is sprayed from the spray gun.

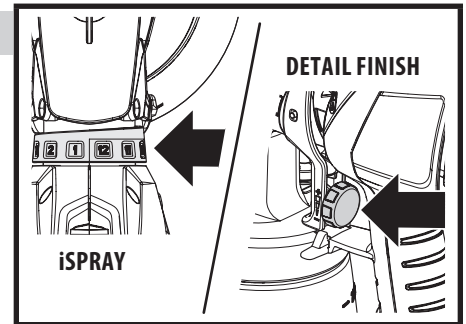
iSpray Nozzle - The material flow can be adjusted incrementally from 1 (minimum) to 12 (maximum) by turning the adjustable material flow control

Detail Finish Nozzle (3500 only) - Set the material flow by turning the knob on the trigger of the spray gun.

- For thicker materials, it is recommended that you start with the highest material flow setting and then gradually **decrease** the flow to suit your particular spraying needs.
- For thinner materials, it is recommended that you start with a low material flow setting, and then gradually **increase** the flow to suit your particular spraying needs.
- The higher the flow setting, the quicker you will have to work in order to avoid drips and sags in your spray pattern.

Tip: Spraying with the control set too high will result in a spray pattern that runs and sags (too much material).

Tip: Spraying with the control set too low will result in a spray pattern that does not cover (not enough material).



POWER AND MATERIAL SETTINGS GUIDE (SUGGESTED STARTING POINTS)

Coating	iSpray Nozzle			Detail Finish Nozzle	
	Material Flow	Air Power (2500)	Air Power (3500)	Material Flow	Air Power (3500)
Transparent / semi-transparent stains, sealers	2	LO	min-2	Med/Heavy	min-3
Lacquers (water based)	3	LO	min-2	Med/Heavy	min-3
Solid stains	4 - 6	LO	2-4	Med	2-4
Polyurethane	4 - 6	HI	3-5	Med/Heavy	3-6
Oil enamels	7	HI	4-6	Heavy	5-8
Latex paints plus primers, Latex paints	9 - 11	HI	5-8	Heavy*	6-max
Oil or latex primers	9 - 11	HI	6-max	Heavy*	6-max

SPRAYER CONTROLS

ADJUST SPRAY SHAPE

Adjust the spray pattern by turning the air cap ears. The air cap position will determine the movement direction of the spray gun.

The positions of the air cap and the corresponding spray pattern shapes are illustrated below.

Test each pattern and use whichever pattern is suitable for your application.



NEVER trigger the gun while turning the adjustment ring. **NEVER** point the spray gun at any part of the body.

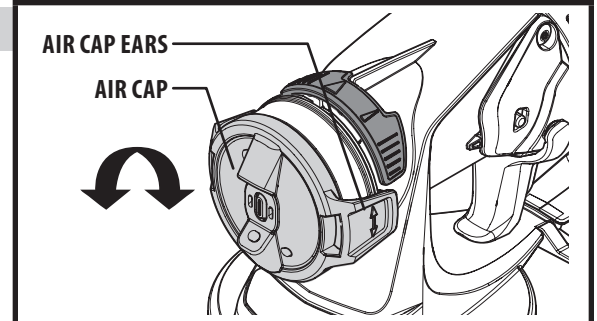


Attention

When changing the spray pattern, make sure the black retaining ring is not loosened.



*The air cap can be set diagonally on the Detail Finish nozzle only. To achieve a round pattern with the iSpray nozzle, see the "Adjust Spray Width" section.



Horizontal pattern



→ Use 'up and down' spraying motion

Vertical pattern



→ Use 'side to side' spraying motion

Round pattern*



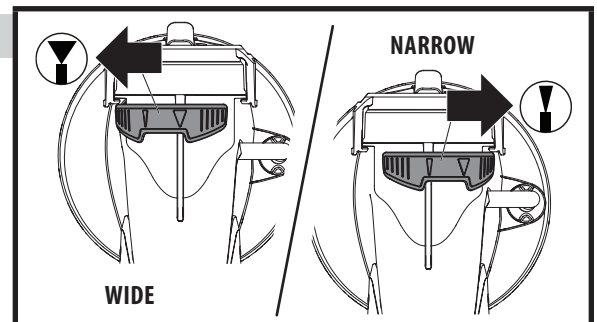
→ Use 'up and down' or 'side to side' spraying motion
 → Use lower air power / material flow
 → For coating smaller areas, corners and edges

ADJUST SPRAY WIDTH (iSPRAY ONLY)

The spray width lever on the iSpray nozzle determines the width of the spray pattern.

TIPS:

1. Start with a narrow fan pattern for painting trim work (1-5" width) and larger surfaces like doors and walls (>5" width).
2. Adjust Material & Air Flow settings as shown in chart based on coating, fan pattern width, and nozzle.
3. Fine tune the Material and Air Power settings to achieve the best results for your application.
4. Use narrow pattern for detailed work, touch up.
5. Recommended settings for Material and Air Power may change if the coating is thinned.



Wide pattern



→ For coating large surfaces
 → Use higher air power
 → Use higher material flow

Narrow pattern



→ For coating smaller areas, corners and edges
 → Use lower air power
 → Use lower material flow

PROPER SPRAYING TECHNIQUE



The room or area you are spraying must be properly masked in order to prevent overspray from covering woodwork, floors or furnishings. Make sure you have properly masked the room/area per the instructions on the enclosed "Taping Guide".



If spraying with an air-assisted (HVLP) spray system is new or unfamiliar to you, it is advisable to practice on a piece of scrap wood or cardboard before beginning on your intended workpiece and/or test with water.

Watch videos on proper use and get tips and tricks at www.wagnerspraytech.com/sprayer-tips-and-tricks-videos/

SPRAY POSTER

A spray poster is included with your unit. The spray poster can be adhered to a spraying surface and can be used for practice. Follow the guidelines on the poster.

SURFACE PREPARATION

All objects to be sprayed should be thoroughly cleaned before spraying material on them. Areas not to be sprayed may, in certain cases, need to be masked or covered.

SPRAY AREA PREPARATION

The spray area must be clean and free of dust in order to avoid blowing dust onto your freshly sprayed surface.

HOW TO SPRAY PROPERLY



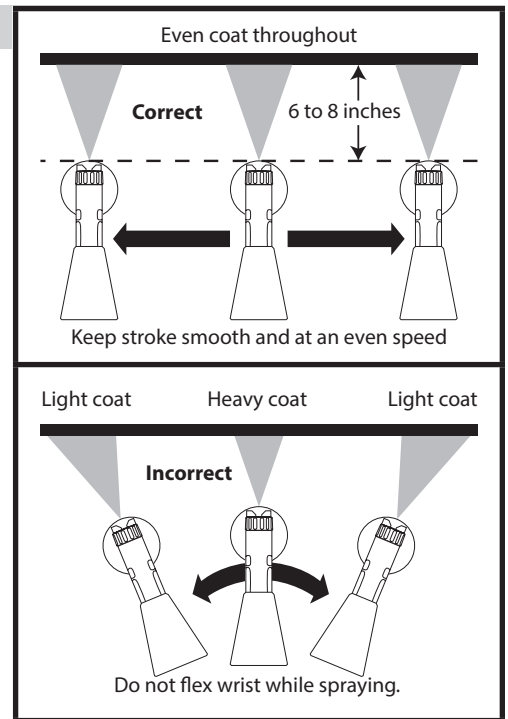
It is important to keep your arm moving whenever the gun is being triggered. If you pause or linger in one spot too long, too much material will be sprayed to the surface.

- Position the spray gun perpendicular to and six (6) to eight (8) inches from the spray surface, depending upon the spray pattern size desired. With reduced material flow and air power, you can get closer to the spraying surface.
- Spray parallel to the surface with smooth passes at a consistent speed as illustrated below. Doing this will help avoid irregularities in the finish (i. e. runs and sags).
- Always apply a thin coat of material first then allow to dry before applying a second, slightly heavier coat.
- When spraying larger surfaces, overlap each spray pass by at least 50% This will ensure full coverage.
- When spraying, always trigger the spray gun after spray pass has begun and release trigger before stopping the pass. Always keep the gun pointed squarely at the spray surface and overlap passes slightly to obtain the most consistent and professional finish possible.



During a project, periodically wipe the nozzle tip with a cloth to remove any dried paint.

When you quit spraying for any length of time, unplug the sprayer. When you restart, wipe the nozzle with a damp cloth to remove any dried paint.



PROPER SPRAYING TECHNIQUE



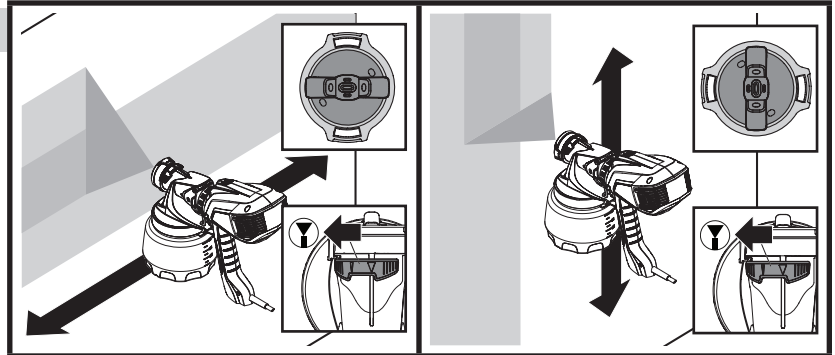
Use the images and guidelines below in order to assist you in achieving the desired spray pattern for your project. These are meant to be general starting points - you may have to slightly modify certain controls on the system in order to get the exact performance you need.

LARGE SURFACE PROJECTS

Generally, high material flow and air power are needed for spraying large surface areas, such as walls and decks.

The iSpray nozzle is ideal for these applications and is designed for broad coverage in either horizontal or vertical spraying.

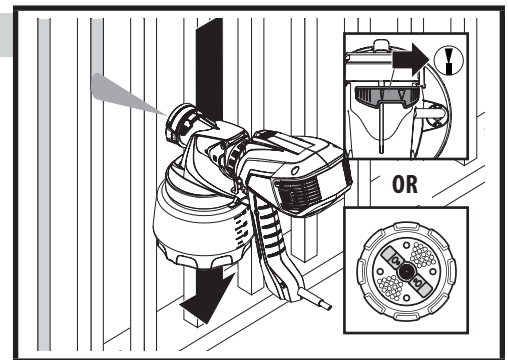
- The air cap position will determine the movement direction of the spray gun.



SMALL SURFACE PROJECTS

Generally, low material flow and air power are needed for spraying smaller surface areas, such as corners, lattice, or spindles.

For this type of project, reduce power, material flow and switch to a narrow width when using the iSpray nozzle, or use the Detail Finish nozzle.



NOTES:

- If you feel the material is going on too thin, increase the material flow.
- If you feel the material is going on too thick, decrease the material flow even further or move the spray gun further away from the surface.

Besides adjusting the controls, other factors that should be considered when spraying:

- **Distance from the spray object** - if you are too far from the spraying surface, the material will go on too thin, and vice versa.
- **Material thickness*** - if the spray pattern runs and/or is too splotchy, the material may need to be thinned.
- **Spray gun movement** - moving the gun too quickly will cause the spray pattern to be too thin and excess overspray. Moving the gun too slowly will cause the spray pattern to be too coarse or thick.



***Only thin the material if absolutely necessary to improve spray performance. Optimal spray performance should be achieved simply by adjusting the various controls on the unit.**

If the material needs to be thinned, dilute the material in steps of 5% - 10% until the desired spray pattern is achieved.



If after following the guidelines on these two pages you are still not getting the spray performance you need, refer to the 'Troubleshooting' section on page 15.

CLEANUP



When cleaning, use the appropriate cleaning solution (warm, soapy water for latex materials; mineral spirits for oil-based materials).

FLUSHING THE UNIT



Special cleanup instructions for use with flammable solvents (must have a flashpoint above 100°F (38°C):

- Always flush spray gun outside.
- Area must be free of flammable vapors.
- Cleaning area must be well-ventilated.
- Do not submerge turbine!

1. Unplug the power cord. Loosen the material container by 1/2 turn, but do not remove it. This will relieve any pressure left over in the system.

Pull the trigger so that the material inside the spray nozzle drains back into the container.

2. Unscrew the container and remove. Empty any remaining material back into the material container.

3. Pour a small amount of the appropriate cleaning solution into the cup (Water=1/2 full. Mineral spirits=1/4 full).

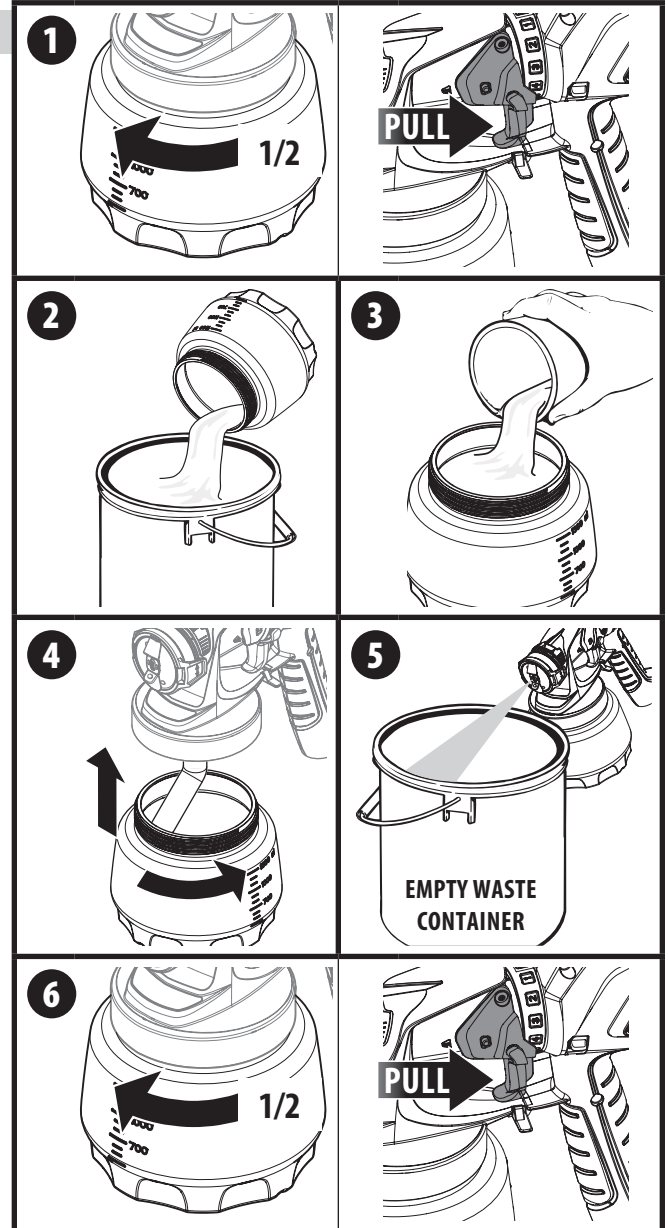
4. Attach the cup to the nozzle and plug in the sprayer.

5. Spray the cleaning solution into a safe area.

While spraying, gently shake the spray gun. This slight agitation will help break up smaller particles of spray material.

6. Unplug the power cord. Loosen the material container by 1/2 turn, but do not remove it. This will relieve any pressure left over in the system.

Pull the trigger so that the material inside the spray nozzle drains back into the container.



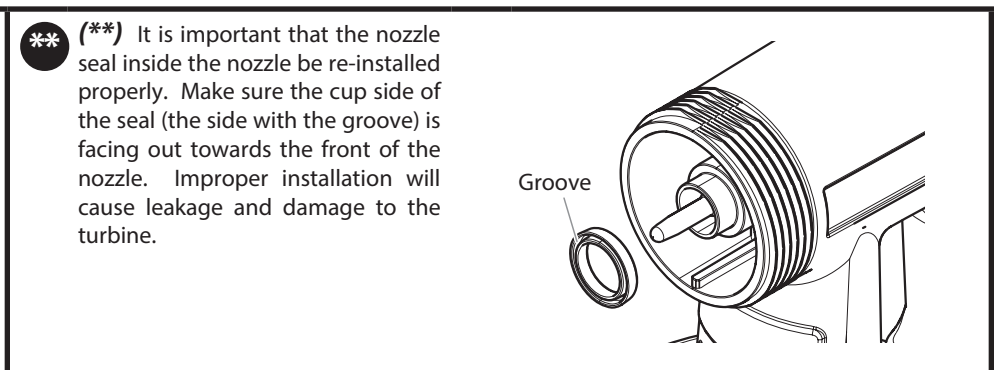
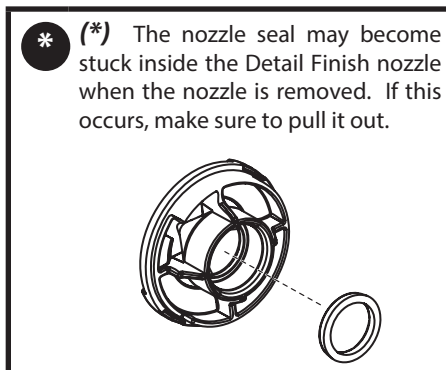
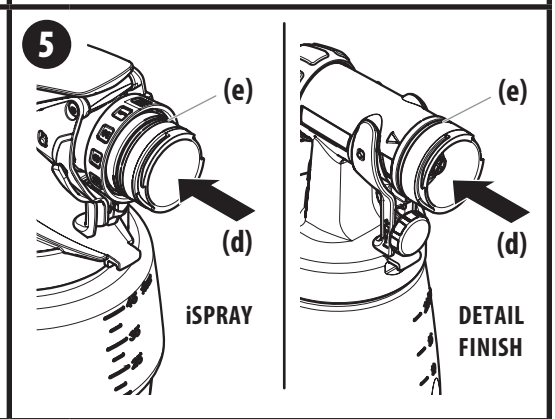
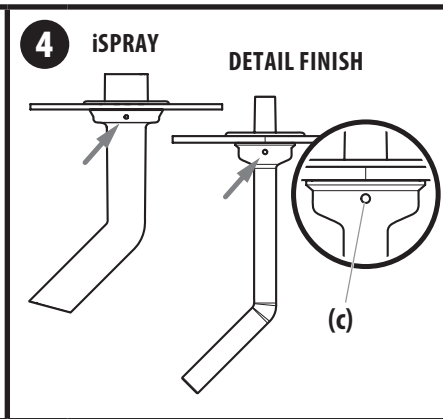
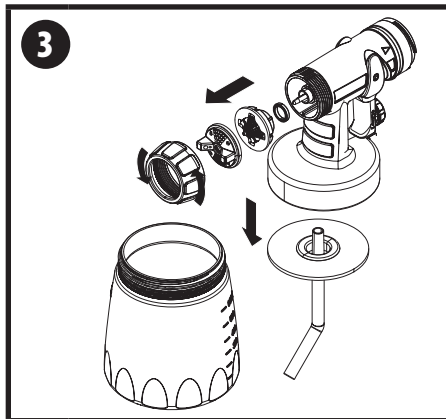
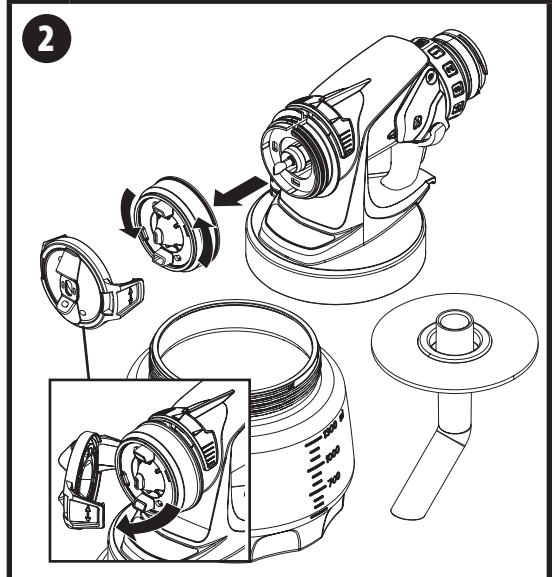
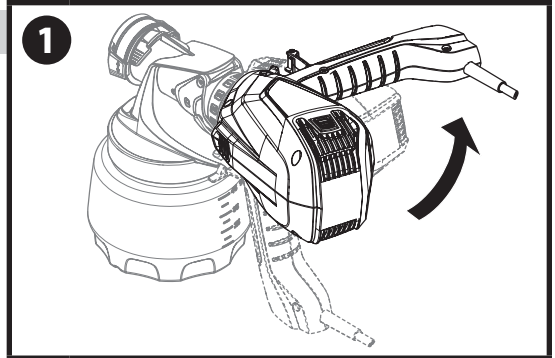
If you cleaned the sprayer using mineral spirits, repeat steps 1-6 using warm, soapy water.

Move on to "Cleanup - Cleaning the Nozzle", next page.

CLEANUP (CONTINUED)

CLEANING THE NOZZLE

1. Make sure power cord is unplugged.
Push the tab below the trigger, twist and separate the nozzle from the turbine. Wipe the exterior of the cup and nozzle until clean.
2. **iSpray Nozzle only -**
 - a. Remove the air cap (a) by prying it off the connecting nut (inset). Loosen the connecting nut (b).
 - b. Remove the parts as shown. Clean all parts with a cleaning brush and the appropriate cleaning solution.
Reassemble all parts when clean.
3. **Detail Finish Nozzle only -**
 - a. Unscrew the nut and remove the air cap and nozzle.
Remove the parts as shown(*). Clean all parts with a cleaning brush and the appropriate cleaning solution.
Reassemble all parts when clean(**).
4. Clean the air vent (c) on the suction tube with a soft bristled cleaning brush.
5. Clean the rear of the nozzle (d) with the appropriate cleaning solution. Use a thin layer of petroleum jelly to lubricate the O-ring (e).



MAINTENANCE

REPLACING THE FILTER



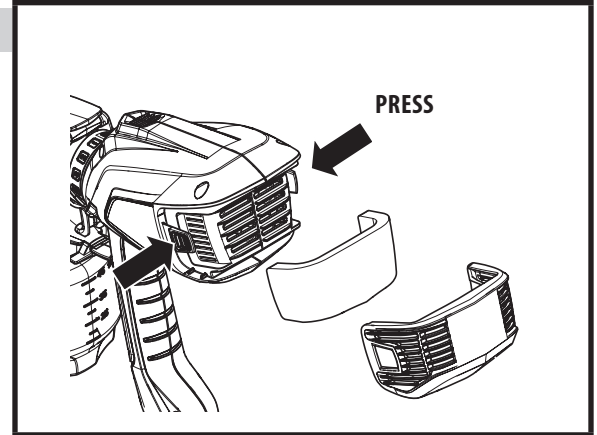
Attention

Before every use, you should inspect the air filter in the turbine to see if it is excessively dirty. If it is dirty, follow these steps to replace it.

Never operate your unit without the air filters. Dirt could be sucked in and interfere with the function of the unit.

1. Press the tabs at the rear of the turbine. Slide the rear housing off of the back of the turbine.
2. Remove the dirty filter from the turbine and replace with a new one. The smooth side of the air filter must be placed toward the turbine.

Secure the cover back onto the turbine.



CLEANING THE AIR VALVE TUBE



If spray material ever enters the air valve tube, follow the steps below.

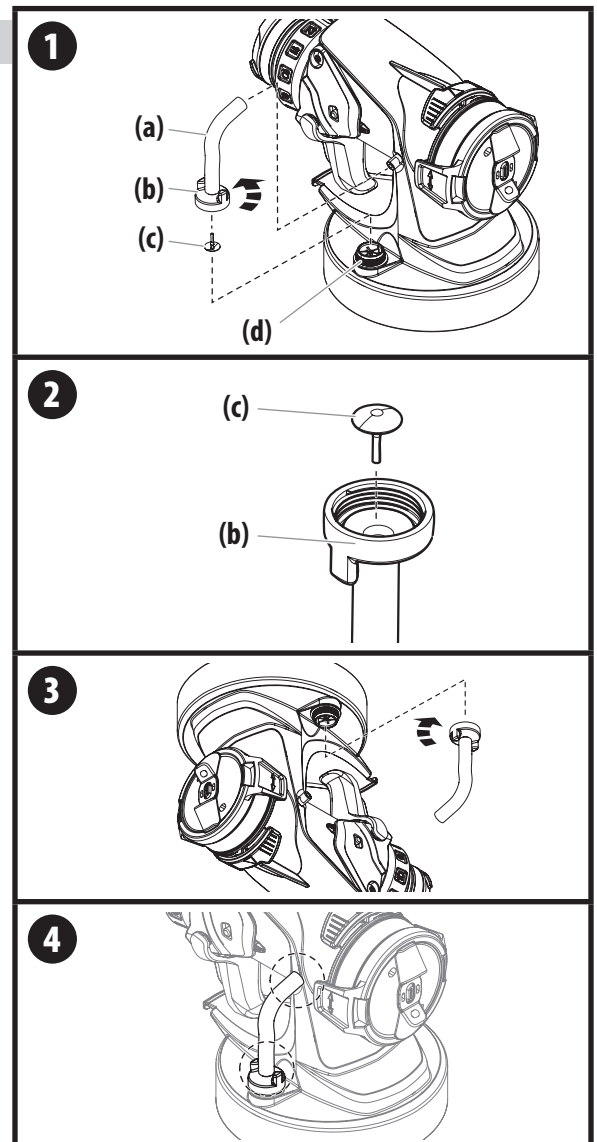
1. Pull the air tube (a) at the top from the nozzle. Screw off the valve cover (b).
Remove the valve seal (c). Clean all the parts carefully. Make sure to remove any material from valve seal housing area (d).



Attention

The air tube and valve seal (c) are only solvent-resistant to a limited extent. Do not immerse in solvent, only wipe.

2. Place the valve seal (c) in the valve cover (b) with the pin facing into the tube. Installing the valve seal into the valve cover will be much easier if the valve cover is inverted.
3. Turn the nozzle upside down and screw on the valve cover (with valve seal inside) from underneath. Turning the nozzle upside down will prevent the valve seal from falling out of the valve cover during reinstallation.
4. Place the air tube on the valve cover and on the nipple at the nozzle.



TROUBLESHOOTING

PROBLEM	CAUSE	SOLUTION
Problem A: Little or no material flow	<ol style="list-style-type: none"> 1. Nozzle clogged. 2. Suction tube clogged. 3. Material flow setting too low. 4. Suction tube loose. 5. No pressure build up in container. 6. Air filter clogged. 7. Spray material too thick. 8. Nozzle seal missing or worn. 	<ol style="list-style-type: none"> 1. Clean. 2. Clean. 3. Increase material flow setting. 4. Remove and replace as tightly as possible. 5. Tighten container. Check the air vent hole on the pick up tube - clean if clogged. 6. Change 7. Thin*. 8. Replace nozzle seal.
Problem B: Material leaking	<ol style="list-style-type: none"> 1. Nozzle loose. 2. Nozzle worn. 3. Nozzle seal missing or worn. 4. Material build-up on air cap and nozzle 	<ol style="list-style-type: none"> 1. Tighten retaining ring. 2. Replace. 3. Replace nozzle seal. 4. Clean.
Problem C: Spray pattern too thick, runs and sags	<ol style="list-style-type: none"> 1. Material flow setting too high. 2. Air power setting too low. 3. Applying too much material. 4. Nozzle clogged. 5. Air filter clogged. 6. Too little pressure build-up in container. 7. Spray material too thick. 	<ol style="list-style-type: none"> 1. Decrease material flow setting. 2. Increase air power setting. 3. Adjust material flow or move the spray gun faster when spraying. 4. Clean. 5. Change. 6. Tighten container. 7. Thin*.
Problem D: Spray jet pulsates	<ol style="list-style-type: none"> 1. Material in container running out. 2. Air filter clogged. 3. Vent hole on suction tube clogged. 	<ol style="list-style-type: none"> 1. Refill. 2. Change. 3. Clean.
Problem E: Too much overspray	<ol style="list-style-type: none"> 1. Gun too far from spray object. 2. Air power setting too high. 	<ol style="list-style-type: none"> 1. Reduce distance (6"-8" is ideal). 2. Decrease air power setting.
Problem F: Pattern is very light and plotchy	<ol style="list-style-type: none"> 1. Moving the spray gun too fast. 2. Material flow setting too low. 3. Air power setting too high. 	<ol style="list-style-type: none"> 1. Adjust material flow or decrease movement of spray gun. 2. Increase material flow setting. 3. Decrease air power setting.



***Only thin the material as a last resort to improve spray performance. Optimal spray performance should be achieved simply by adjusting the various controls on the unit.**



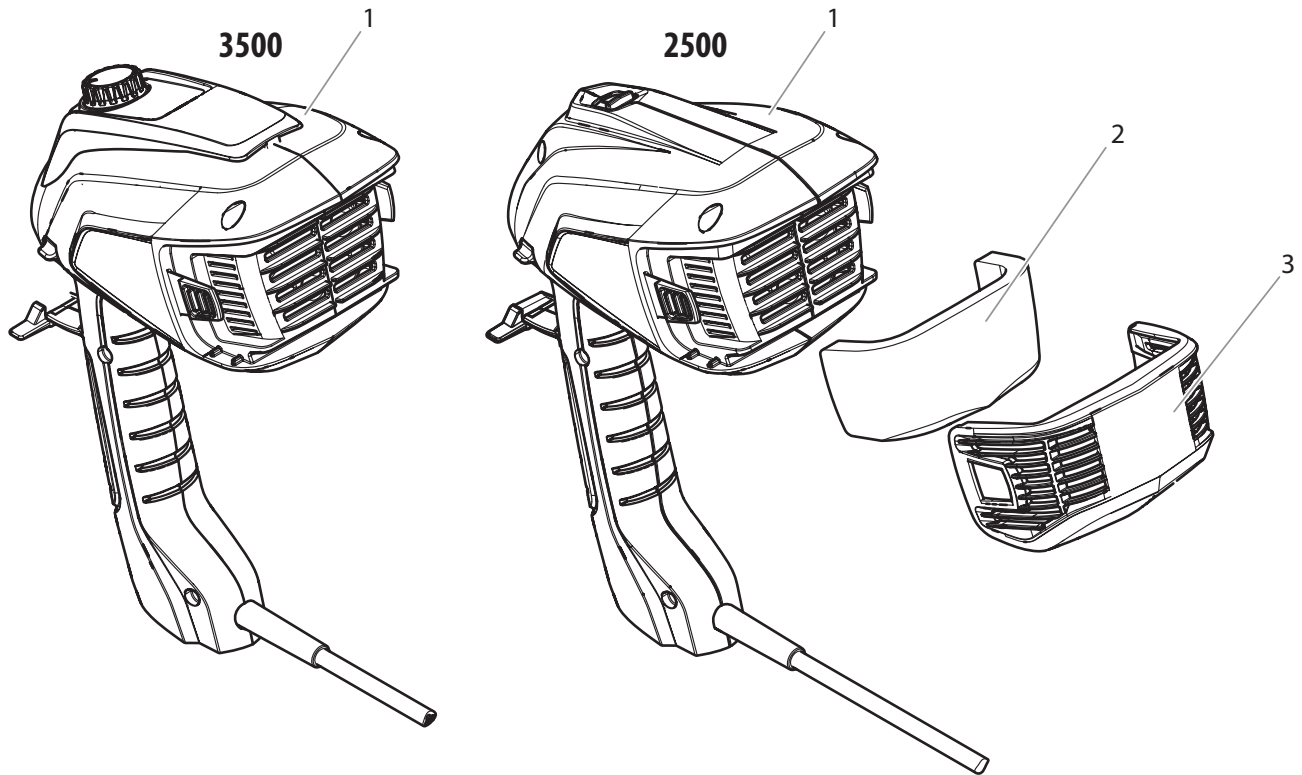
This unit contains no servicable electrical parts. Do not attempt to service yourself. Store indoors with the cord wrapped around the turbine handle.



Have you tried the recommendations above and are still having problems? In the United States, to speak to a customer service representative, call our Technical Service at 1-800-328-8251. See www.wagnerspraytech.com in the "Contact Us" section for Technical Service hours.

PARTS LIST • LISTE DE PIÈCES • LISTA DE PIEZAS

X-BOOST™ TURBINE • TURBINE DE X-BOOST™ • TURBINA DE X-BOOST™



#	Part No. N° de pièce Pieza No.	English Description	Français Description	Español Descripción	Qty. Qte. Cant.
1	-----	Turbine	Turbine	Turbina	1
2	2382954A	Filter	Filtre	Filtro	2
3	2373740	Filter cover	Poignée de pistolet	Alojamiento de	1

Replacement parts available by calling customer service or visit www.wagnerspraytech.com

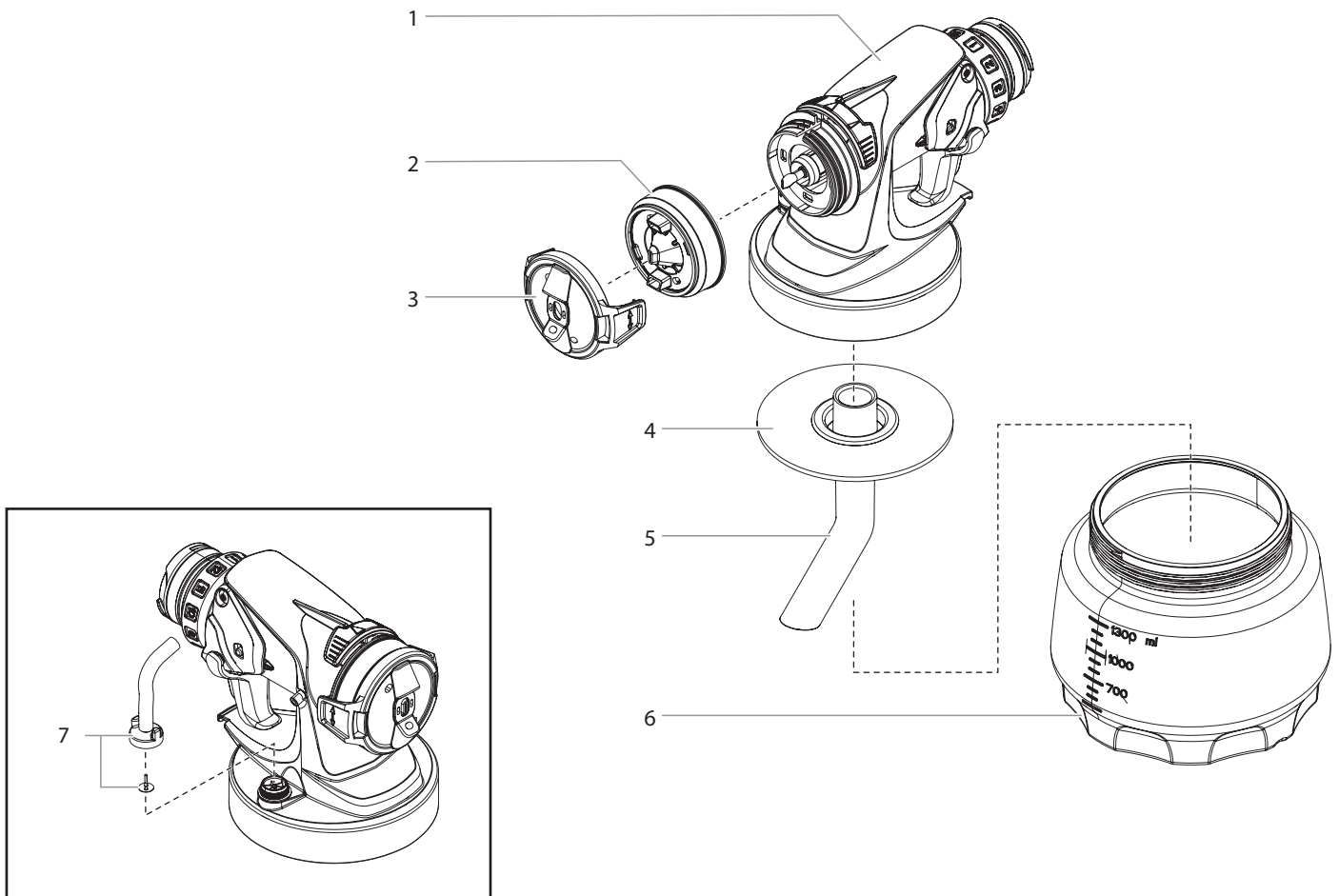
On peut obtenir des pièces de rechange en appelant le Service à la clientèle ou visitex www.wagnerspraytech.com.

Los repuestos están disponibles llamando al servicio a clientes o visite www.wagnerspraytech.com.

1-800-328-8251

PARTS LIST • LISTE DE PIÈCES • LISTA DE PIEZAS

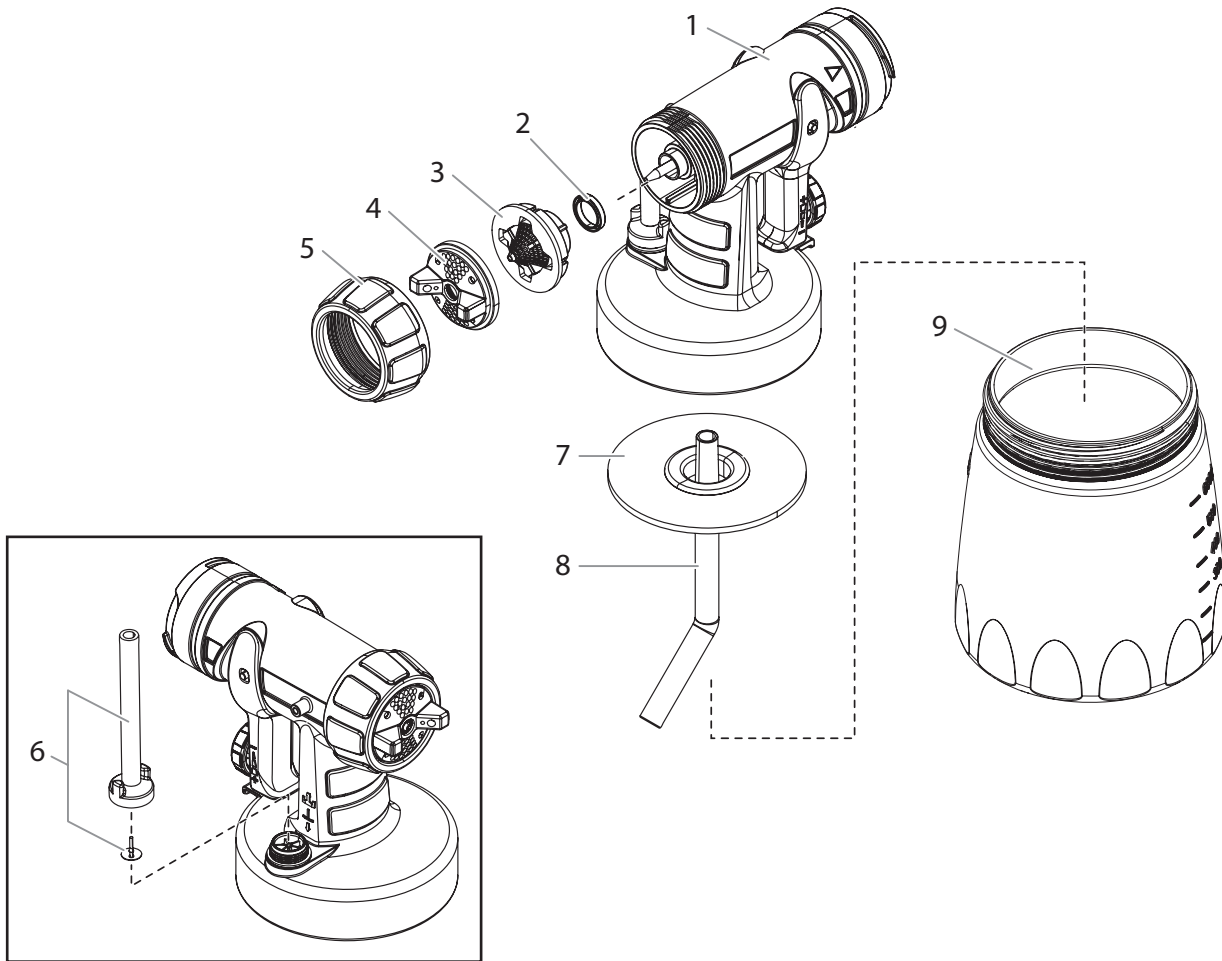
ISPRAY NOZZLE • BUSE DE ISPRAY • BOQUILLA DE ISPRAY



#	Part No. N° de pièce Pieza No.	English Description	Français Description	Español Descripción	Qty. Qte. Cant.
1	0520006	Spray gun assembly (includes items 1-7)	Ensemble de pistolet (inclut des pièces 1 à 7)	Ensamblaje de pistola (incluye los artículos 1-7)	1
2	2382751	Nozzle assembly	Ensemble de buse	Ensamblaje de boquilla	1
3	2382753	Adjustment ring	Anneau de tarage	Anillo de ajuste	1
4	0417474	Cup seal	Joint	Sello	1
5	2361505	Suction tube	Tube d'aspiration	Tubo de succión	1
6	2361502	Material container, 1300 ml	Réservoir de liquide, 1300 ml	Recipiente, 1300 ml	1
7	529005	Kit, check valve	Trousse, joint de clapet	Juego, junta de la válvula	1

PARTS LIST • LISTE DE PIÈCES • LISTA DE PIEZAS

DETAIL FINISH NOZZLE • BUSE DE DETAIL FINISH • BOQUILLA DE DETAIL FINISH



#	Part No. N° de pièce Pieza No.	English Description	Français Description	Español Descripción	Qty. Qte. Cant.
1	529013	Kit, Detail Front End (includes items 1-9)	Ensemble de buse (includ des pièces 1 à 9)	Ensamblaje de boquilla (incluye los artículos 1-9)	1
2	2359314	Nozzle gasket, red	Joint d'étanchéité de buse, rouge	Sello de boquilla, rojo	1
3	414381	Nozzle	Buse	Boquilla	1
4	414384	Air cap	Chapeau d'air	Tapa de aire	1
5	417319	Connecting nut	Écrou d'assemblage	Tuerca de conexión	1
6	529005	Kit, check valve	Trousse, joint de clapet	Juego, junta de la válvula	1
7	417358	Container seal	Joint d'étanchéité de réservoir	Sello de recipiente	1
8	417357	Pickup tube	Tube d'aspiration	Tubo de succión	1
9	414313	Material container (600 ml)	Réservoir de liquide (600 ml)	Recipiente (600 ml)	1

PARTS LIST • LISTE DE PIÈCES • LISTA DE PIEZAS

COMPATIBLE ACCESSORIES • ACCESSOIRES COMPATIBLES • ACCESORIOS COMPATIBLES

Part No. N° de pièce Pieza No.	English Description	Français Description	Español Descripción
529013	Detail Finish nozzle	Buse de Detail Finish	Boquilla de Detail Finish
	<ul style="list-style-type: none"> Controlled coverage speed with smooth finish Detail projects and finer finishing 	<ul style="list-style-type: none"> Vitesse de couverture contrôlée avec finition lisse Projets détaillés et finition fine 	<ul style="list-style-type: none"> Velocidad de cobertura controlada con acabado uniforme Proyectos de detalle y acabado más fino
529257	Control Finish nozzle	Buse de Control Finish	Boquilla de Control Finish
	<ul style="list-style-type: none"> Medium coverage speed with semi-smooth finish Finishing and painting small projects 	<ul style="list-style-type: none"> Vitesse de couverture moyenne avec finition semi-lisse Finition et projets de peinture plus petits 	<ul style="list-style-type: none"> Velocidad de cobertura media con acabado semiuniforme Acabado y pintado de proyectos pequeños

LIMITED WARRANTY • GARANTIE LIMITÉE • GARANTÍA LIMITADA

HVLP PAINT SPRAY EQUIPMENT

This product, manufactured by Wagner Spray Tech Corporation (Wagner), is warranted against defects in material and workmanship for one year following date of purchase if operated in accordance with Wagner's printed recommendations and instructions. This warranty does not cover damage resulting from improper use, accidents, user's negligence or normal wear. This warranty does not cover any defects or damages caused by service or repair performed by anyone other than a Wagner Authorized Service Center.

ANY IMPLIED WARRANTY OF MERCHANTABILITY OR FITNESS FOR A PARTICULAR PURPOSE IS LIMITED TO ONE YEAR FOLLOWING DATE OF PURCHASE. WAGNER SHALL NOT IN ANY EVENT BE LIABLE FOR ANY INCIDENTAL OR CONSEQUENTIAL DAMAGES OF ANY KIND, WHETHER FOR BREACH OF THIS WARRANTY OR ANY OTHER REASON. THIS WARRANTY DOES NOT APPLY TO ACCESSORIES.

THIS PRODUCT IS DESIGNED FOR HOME USAGE ONLY. IF USED FOR COMMERCIAL OR RENTAL PURPOSES, THIS WARRANTY APPLIES ONLY FOR 30 DAYS FROM DATE OF PURCHASE.

If any product is defective in material and/or workmanship during the applicable warranty period, return it with proof of purchase, transportation prepaid to any Wagner Authorized Service Center. Wagner's Authorized Service Center will either repair or replace the product (at Wagner's option) and return it to you, postage prepaid.

SOME STATES DO NOT ALLOW LIMITATIONS ON HOW LONG AN IMPLIED WARRANTY LASTS OR THE EXCLUSION OF INCIDENTAL OR CONSEQUENTIAL DAMAGES, SO THE ABOVE LIMITATION AND EXCLUSION MAY NOT APPLY TO YOU. THIS WARRANTY GIVES YOU SPECIFIC LEGAL RIGHTS, AND YOU MAY ALSO HAVE OTHER RIGHTS WHICH VARY FROM STATE TO STATE.

PULVÉRISATEUR DE PEINTURE HVLP

Cet article fabriqué par Wagner Spray Tech Corporation (Wagner) est garanti contre tout défaut de fabrication et de matériaux pour une période d'un an suivant la date d'achat, à condition qu'il soit utilisé conformément aux recommandations et aux instructions écrites de Wagner. La garantie ne couvre pas les dommages résultant d'un mauvais emploi, d'un accident, d'une négligence de la part de l'utilisateur ou de l'usure normale de l'article. Elle ne couvre pas non plus les défauts ou les dommages découlant de services d'entretien ou de réparations assurées par tout autre établissement qu'un centre de service après-vente agréé de Wagner.

TOUTE GARANTIE TACITE RELATIVE AUX QUALITÉS MARCHANDES OU À L'UTILISATION DE CE PRODUIT DANS UN BUT PARTICULIER N'EST VALABLE QUE POUR UNE PÉRIODE D'UN AN À COMPTER DE LA DATE D'ACHAT. WAGNER NE SAURAIT ÊTRE TENU RESPONSABLE DES DOMMAGES FORTUITS OU INDIRECTS QUELS QU'ILS SOIENT, QUE CE SOIT POUR INOBSERVATION DE LA PRÉSENTE GARANTIE OU POUR TOUTE AUTRE RAISON. LA GARANTIE NE COUVRE PAS LES ACCESSOIRES.

CET ARTICLE A ÉTÉ CONÇU EXCLUSIVEMENT EN VUE D'UN USAGE DOMESTIQUE. LA GARANTIE NE SERA VALABLE QUE POUR 30 JOURS À COMPTER DE LA DATE D'ACHAT DE L'ARTICLE EST UTILISÉ À DES FINS COMMERCIALES OU DE LOCATION.

Tout article comportant des défauts de fabrication ou de matériaux au cours de la période de garantie applicable peut être retourné en port payé à un centre de service après-vente agréé de Wagner, accompagné de la preuve d'achat. Le centre de service après-vente agréé de Wagner vous renverra l'article en port payé, après l'avoir réparé ou remplacé (ce choix étant à la discrétion de Wagner).

COMME LES LIMITES DE TEMPS RELATIVES À UNE GARANTIE TACITE OU À L'EXCLUSION DES DOMMAGES DE NATURE FORTUITE OU INDIRECTE N'ONT PAS NÉCESSAIREMENT COURS DANS TOUTES LES PROVINCES, IL SE PEUT QUE LESDITES LIMITES OU EXCLUSIONS NE VOUS CONCERNENT PAS. CERTAINS DROITS PARTICULIERS VOUS SONT DÉVOLUS EN VERTU DE LA PRÉSENTE GARANTIE ET PEUVENT S'ACCOMPAGNER D'AUTRES DROITS EN FONCTION DE LA PROVINCE OÙ VOUS RÉSIDEZ.

EQUIPO DE ATOMIZACIÓN DE PINTURA HVLP

Este producto, fabricado por la Wagner Spray Tech Corporation (Wagner), está garantizado contra defectos de materiales y de mano de obra por un año a partir de la fecha de compra siempre y cuando se utilice de acuerdo con las recomendaciones e instrucciones impresas de Wagner. Esta garantía no cubre daños ocasionados por el uso incorrecto, accidentes, negligencia por parte del usuario o el desgaste normal. Esta garantía no cubre cualquier defecto o daño ocasionado por el servicio o las reparaciones llevadas a cabo fuera de un Centro de Servicio Wagner Autorizado.

CUALQUIER GARANTÍA IMPLÍCITA REFERENTE AL POTENCIAL COMERCIAL O ADAPTABILIDAD PARA UN USO PARTICULAR SE LIMITA A UN AÑO A PARTIR DE LA FECHA DE COMPRA. WAGNER EN NINGÚN CASO SERÁ RESPONSABLE DE CUALQUIER DAÑO DIRECTO O INDIRECTO DE CUALQUIER TIPO, YA SEA POR VIOLACIÓN DE ESTA GARANTÍA O CUALQUIER OTRA RAZÓN. ESTA GARANTÍA NO SE APLICA A LOS ACCESORIOS.

ESTE PRODUCTO ESTÁ DISEÑADO PARA SER UTILIZADO EN EL HOGAR ÚNICAMENTE. SI SE UTILIZA PARA PROPÓSITOS COMERCIALES O DE ALQUILER, ESTÁ GARANTÍA ES VÁLIDA ÚNICAMENTE DURANTE 30 DÍAS A PARTIR DE LA FECHA DE COMPRA.

Si cualquier producto está defectuoso con respecto a los materiales o mano de obra, regréselo porte pagado junto con el recibo de compra a cualquier Centro de Servicio Wagner Autorizado (la lista de Centros de Servicio se adjunta con este producto). El Centro de Servicio Wagner Autorizado reparará o reemplazará el producto (a la discreción de Wagner) y se lo regresará porte pagado.

ALGUNOS ESTADOS, DEPARTAMENTOS O PROVINCIAS NO PERMITEN LIMITACIONES EN CUANTO AL PERÍODO DE VALIDEZ DE UNA GARANTÍA IMPLÍCITA NI LA EXCLUSIÓN DE DAÑOS DIRECTOS O INDIRECTOS. POR LA TANTO, LA LIMITACIÓN Y LA EXCLUSIÓN ANTERIOR PUEDEN NO APLICARSE A USTED. ESTA GARANTÍA LE OTORGA DERECHOS LEGALES ESPECÍFICOS Y USTED TAMBIÉN PUEDE TENER OTROS DERECHOS QUE VARIAN DE UNA LOCALIDAD A OTRA.