

# TOMAHAWK

TBUGGY300e  
POWER BUGGY

Operation Manual



FIND THE HOW TO GUIDE HERE



# TABLE OF CONTENTS

1. Safety Information	<b>4</b>
1.1 Operating Safety	<b>5</b>
1.2 Service Safety	<b>6</b>
2. Technical Performance	<b>6</b>
2.1 Technical Performance	<b>6</b>
2.2 Specifications	<b>7</b>
3. Operating Controls	<b>8</b>
3.1 Getting Started	<b>8</b>
3.2 To Move Forward	<b>8</b>
3.3 To Reverse	<b>9</b>
3.4 To Stop	<b>11</b>
3.5 To Emergency Stop	<b>11</b>
3.6 To Empty / Reset Skip	<b>11</b>
3.7 Charging the Battery	<b>11</b>
4. Operations Controls Diagram	<b>12</b>
5. Maintenance	<b>13</b>
6. Troubleshooting	<b>13</b>
7. Circuit Diagram	<b>14</b>
8. Parts Manual	<b>15</b>
9. Tomahawk Catalog & Coupon	<b>26</b>

# Register Your Equipment

Thank you for purchasing TOMAHAWK equipment! Your product is covered by the TOMAHAWK Warranty Policy, but in order to activate your warranty, we need you to register your product. In addition to activating your equipment warranty, product registration will grant you access to important product updates, streamlined customer service, and more.

## INCLUDED WITH YOUR REGISTRATION

- ✓ Equipment Warranty Activation
- ✓ Product Updates
- ✓ Streamlined Customer Service
- ✓ Exclusive Discounts and Sales

## STEPS TO REGISTER YOUR EQUIPMENT

1. Visit [www.tomahawk-power.com](http://www.tomahawk-power.com)
2. Choose “Product Registration” at the bottom of the page
3. Enter your equipment’s serial number to get started
4. Provide all required information
5. Submit Registration

---

# Equipment Resources

Tomahawk Customer Service doesn’t stop at checkout. We understand to keep a job-site running smoothly - the proper equipment, spare parts, instruction manuals, and more are needed at the drop of a hat. Visit [www.tomahawk-power.com](http://www.tomahawk-power.com) to gain access to the incredible resources below.

## How To Video Library

More of a visual person? Visit our Video Library for equipment assembly instructions, troubleshooting tips, and more!

**Found on each product listing or the Service Videos Page**

## Manual and Assembly Guide Library

Visit our Manual Library if you are looking for a lost operations manual or a particular spare part?

**Found on each product listing or the Tomahawk Manuals Page**

## Service Requests

In need of a quick fix or a service center referral? Submit a Service Request and a Tomahawk Technician will respond shortly to get you the help you need.

**Choose “Service Request” at the bottom of [www.tomahawk-power.com](http://www.tomahawk-power.com)**



This manual provides information and procedures to safely operate and maintain this equipment. For your own safety and protection from injury, carefully read, understand, and observe the safety instructions described in this manual.

Keep this manual or a copy of it with the equipment. If you lose this manual or need an additional copy, please contact Tomahawk Power LLC or visit [www.tomahawk-power.com](http://www.tomahawk-power.com). This equipment is built with user safety in mind; however, it can present hazards if improperly operated or serviced. Follow operating instructions carefully. If you have questions about operating or servicing this equipment, contact Tomahawk Power.

The information contained in this manual is based on equipment's production at the time of publication. Tomahawk Power reserves the right to change any portion of this information without notice.

No part of this publication may be reproduced in any form or by any means, electronic or mechanical, including photocopying, without express written permission from Tomahawk Power.

Any type of reproduction or distribution not authorized by Tomahawk Power represents an infringement of valid copyrights and will be prosecuted. We expressly reserve the right to make technical modifications, even without due notice, which aim at improving our machines or their safety standards.

## 1. SAFETY INFORMATION

This manual contains DANGER, WARNING, CAUTION, and NOTE callouts which must be followed to reduce the possibility of personal injury, damage to the equipment, or improper service.



This is the safety alert symbol. It is used to alert you to potential personal injury hazards. Obey all safety messages that follow this symbol to avoid possible injury or death.



**DANGER** indicates an imminently hazardous situation which, if not avoided, will result in death or serious injury.



**WARNING** indicates a potentially hazardous situation which, if not avoided, could result in death or serious injury.



**CAUTION** indicates a potentially hazardous situation which, if not avoided, may result in minor or moderate injury.

**CAUTION:** Used without the safety alert symbol, **CAUTION** indicates a potentially hazardous situation which, if not avoided, may result in property damage.

## 1.1 Operating Safety



WARNING

Familiarity and proper training are required for the safe operation of equipment! Equipment operated improperly or by untrained personnel can be dangerous! Read the operating instructions contained in both this manual and the engine manual and familiarize yourself with the location and proper use of all controls. Inexperienced operators should receive instruction from someone familiar with the equipment before being allowed to operate the machine.

**1.1.1 NEVER** allow anyone to operate this equipment without proper training. People operating this equipment must be familiar with the risks and hazards associated with it.

**1.1.2 ALWAYS** Be safety-conscious by dressing appropriately during operation. Always wear protective footwear, safety glasses/eyewear, and a hard hat.

**1.1.3 ALWAYS** Exercise extreme caution with the controls when working on steep and/or slippery surfaces. This is especially important when people are near the working area.

**1.1.4 ALWAYS** Ensure that all safety guards are in place when operating your Power Buggy.

**1.1.5 ALWAYS** Keep your Power Buggy free of any accumulation of dirt, grease, oil, or any other flammable material.

**1.1.6 NEVER DO NOT** carry “passengers” on your Power Buggy.

**1.1.7 NEVER DO NOT** start operating without completing daily maintenance checks.

**1.1.8 NEVER DO NOT** operate your Power Buggy without exercising the appropriate safety precautions.

**1.1.9 NEVER DO NOT** use other types of battery charger or batteries.

**1.1.10 NEVER DO NOT** pressure wash directly on the electrical features.

**1.1.11 NEVER** use accessories or attachments that are not recommended by Tomahawk Power. Damage to equipment and injury to the user may result.

**1.1.12 NEVER** leave machine running unattended.

**1.1.13 ALWAYS** be sure operator is familiar with proper safety precautions and operation techniques before using machine.

**1.1.14 ALWAYS** wear ANSI Z87.1-approved safety goggles or safety glasses with side shields, or when needed, a face shield. Use a dust mask in dusty work conditions. Also use non-skid safety shoes, hardhat, gloves, dust collection systems, and hearing protection when appropriate. This applies to all persons in the work area.

**1.1.15 ALWAYS** store equipment properly when it is not being used. Equipment should be stored in a clean, dry location out of the reach of children.

**1.1.16 ALWAYS** operate machine with all safety devices and guards in place and in working order. DO NOT modify or remove safety devices. DO NOT operate machine if any safety devices or guards are missing or inoperative.

**1.1.17 ALWAYS** read, understand, and follow procedures in Operator's Manual before attempting to operate equipment.

## 1.2 Service Safety



Poorly maintained equipment can become a safety hazard! In order for the equipment to operate safely and properly over a long period of time, periodic maintenance and occasional repairs are necessary.

**1.2.1 DO NOT** attempt to clean or service machine while it is running. Rotating parts can cause severe injury.

**1.2.2 ALWAYS** replace worn or damaged components with spare parts designed and recommended by Tomahawk Power.

**1.2.3 ALWAYS** keep machine clean and labels legible. Replace all missing and hard-to-read labels. Labels provide important operating instructions and warn of dangers and hazards.

**1.2.4 ALWAYS** check for damaged parts before each use. Carefully check that the equipment will operate properly and perform its intended function. Replace damaged or worn parts immediately. Never operate the buggy with a damaged part.

**1.2.5 ALWAYS** inspect the machine prior to placing in storage and before re-use. Store the machine in a dry, secure place out of the reach of children.

**1.2.6 ALWAYS** use only accessories that are recommended by the manufacturer for use with the machine. Accessories that may be suitable for one machine may create a risk of injury when used with the machine.

## 2. TECHNICAL PERFORMANCE

Tomahawk power buggies are powered by a 1000W Electric Motor with robust 4-wheel drive, providing incredible climbing ability and superior traction in mud, dirt, or sand. Plus with the 48V-20Ah battery, use your buggy longer with less down time, up to 6-8 hours! The standard 8ft<sup>3</sup> capacity tub will carry your materials or debris and passes through 31-inch doorways and openings!

## 2.2 Specifications

<b>Model</b>	TBUGGY300e
<b>Motor</b>	1000W Electric Motor Brush Less
<b>Type</b>	4WD Chain Drive All Terrain with Hydraulic Tipping
<b>Battery</b>	48V-20Ah
<b>Charge</b>	220V/ 50-60Hz
<b>Working Temperature</b>	50°F ~ 104°F (-10°C ~ 40°C)
<b>Capacity</b>	8cu.ft. or 650 lbs weight / 300 kg
<b>Brake</b>	Electromagnetic Brake
<b>Cables</b>	Protected
<b>Wheels</b>	Front 400x10, Rear 400x8
<b>Max Slope</b>	20°
<b>Dimensions</b>	L-63",W-31",H-36" (L-1600mm,W-780mm,H-920mm)
<b>Weight</b>	342 lbs / 155 kg (with battery)
<b>Max Speed</b>	3.72mph (5.0km/h)
<b>Endurance</b>	6-8 hours (against working conditions)

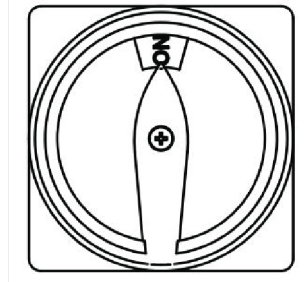
### 3. OPERATING CONTROLS

#### 3.1 Getting Started

**3.1.1** Using the battery charger cable, charge the batteries until the battery symbol shows FULL.

**3.1.2** Check that the locking catch of the skip has engaged before moving.

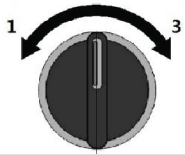
**3.1.3** Located under the buggy, switch ON the main power.



#### 3.2 To Move Forward

**3.2.1** Turn the key switch to the “ON” position.

**3.2.2** Choose the speed on the panel as following:



1: Min speed - 1.24 mph (2km/hr)

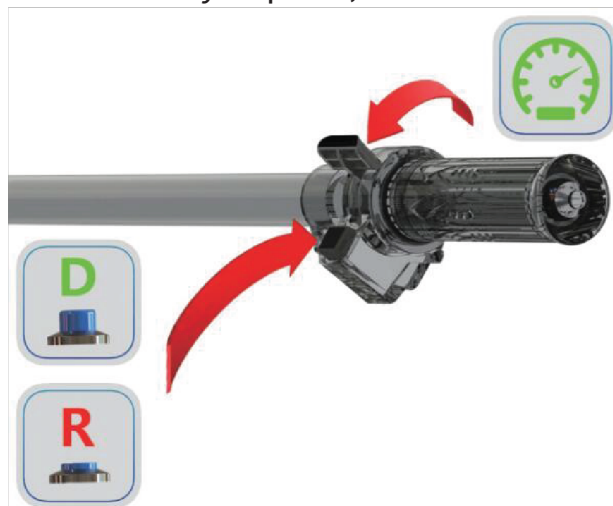
2: Mid speed - 2.5 mph (4km/hr)

3: Max speed - 3.72(6km/hr)

**3.2.3** Gently engage the left hand lever, the Power Buggy will move forward.



**3.2.4** Check the black button on the right control handle and confirm the button is in the UP position. Move the throttle. The more you press, the faster it will run.

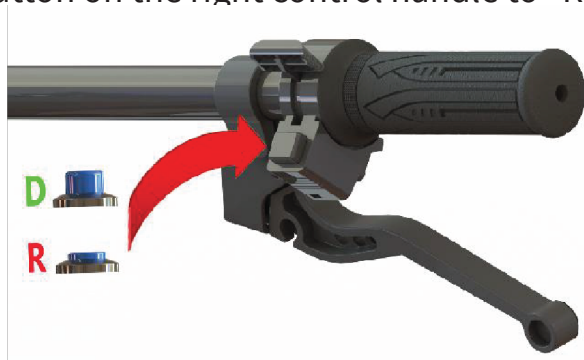




### 3.3 To Reverse

3.3.1 Release the left hand lever and right hand throttle to stop the Power Buggy.

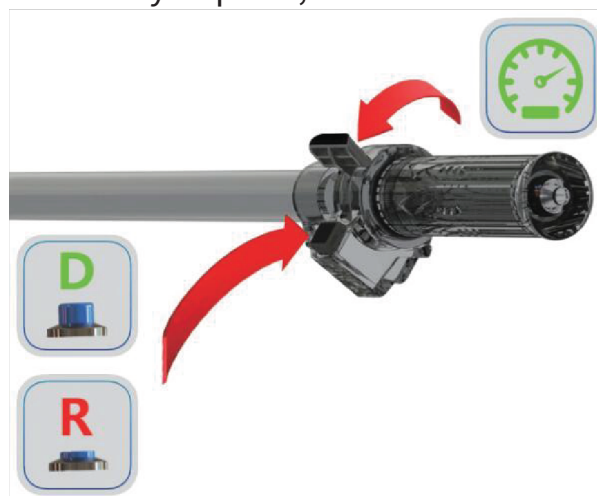
3.3.2 Press the black button on the right control handle to “R” status. The machine will sound its alarm.



3.3.3 Gently engage the left hand lever, the Power Buggy will move backwards.



3.3.4 Move the throttle. The more you press, the faster it will run.



**NOTE**

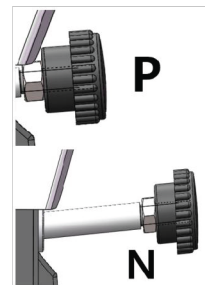
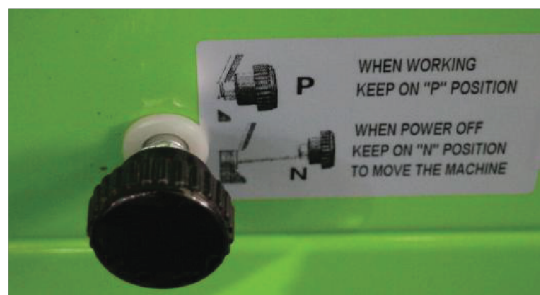
- When pressing the red button on the left handle while the power is ON, the Power Buggy can be moved forward and in reverse.



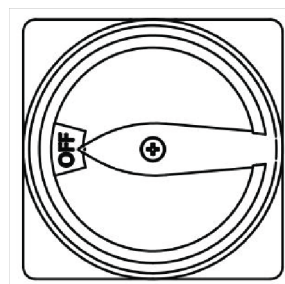
- Parking brake (P & N) instructions:

When working, keep Power Buggy in the “P” position.

When the power is OFF, keep in the “N” position to move the machine.



- If the Power Buggy is not used for a long period of time, fully charge the battery and turn OFF the main power switch.



### 3.4 To Stop

**3.4.1** Release the control lever. The Power Buggy will slow down and stop. The parking brake will automatically turn on.

**3.4.2** Turn the key switch to the “OFF” position.

### 3.5 Emergency Stop

**3.5.1** Push the red button to turn off immediately.

**3.5.2** To reset the emergency stop, turn the red button to the right.

### 3.6 To Empty / Reset Skip

**3.6.1** Stop the machine and press switch **B**

— EMPTY

== RESET



**NOTE:** Make sure there are no people in front of the Power Buggy.

### 3.7 Charging the Battery

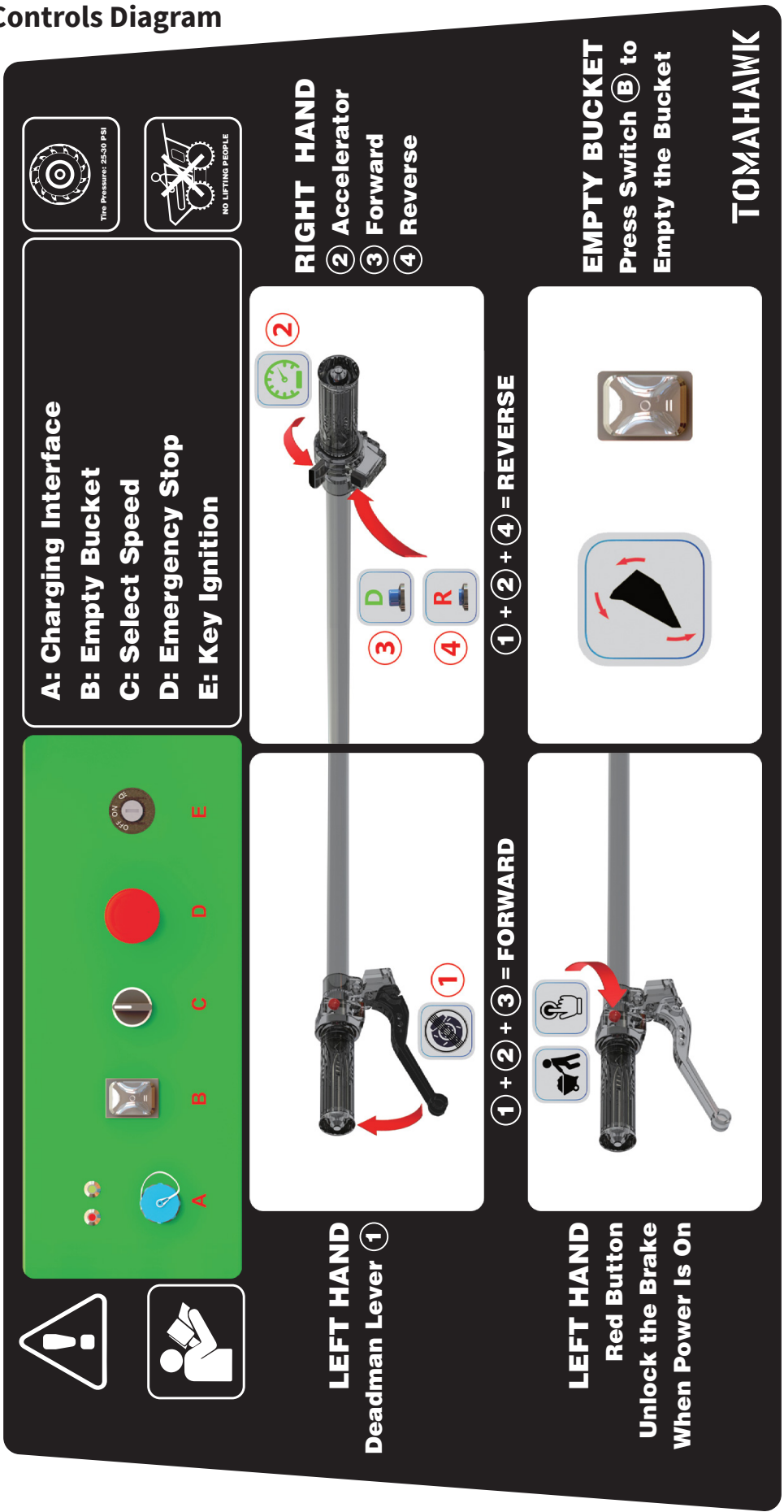
**3.7.1** Connect the power line with the charging interface, then connect the plug to the main power.

**3.7.2** After charging, disconnect the plug first. Then, disconnect the power line from the charging interface.

**NOTE:** Violation of the above operation may result in damage to the machine or personal injury.



# 4. Operation Controls Diagram



## 5. MAINTENANCE

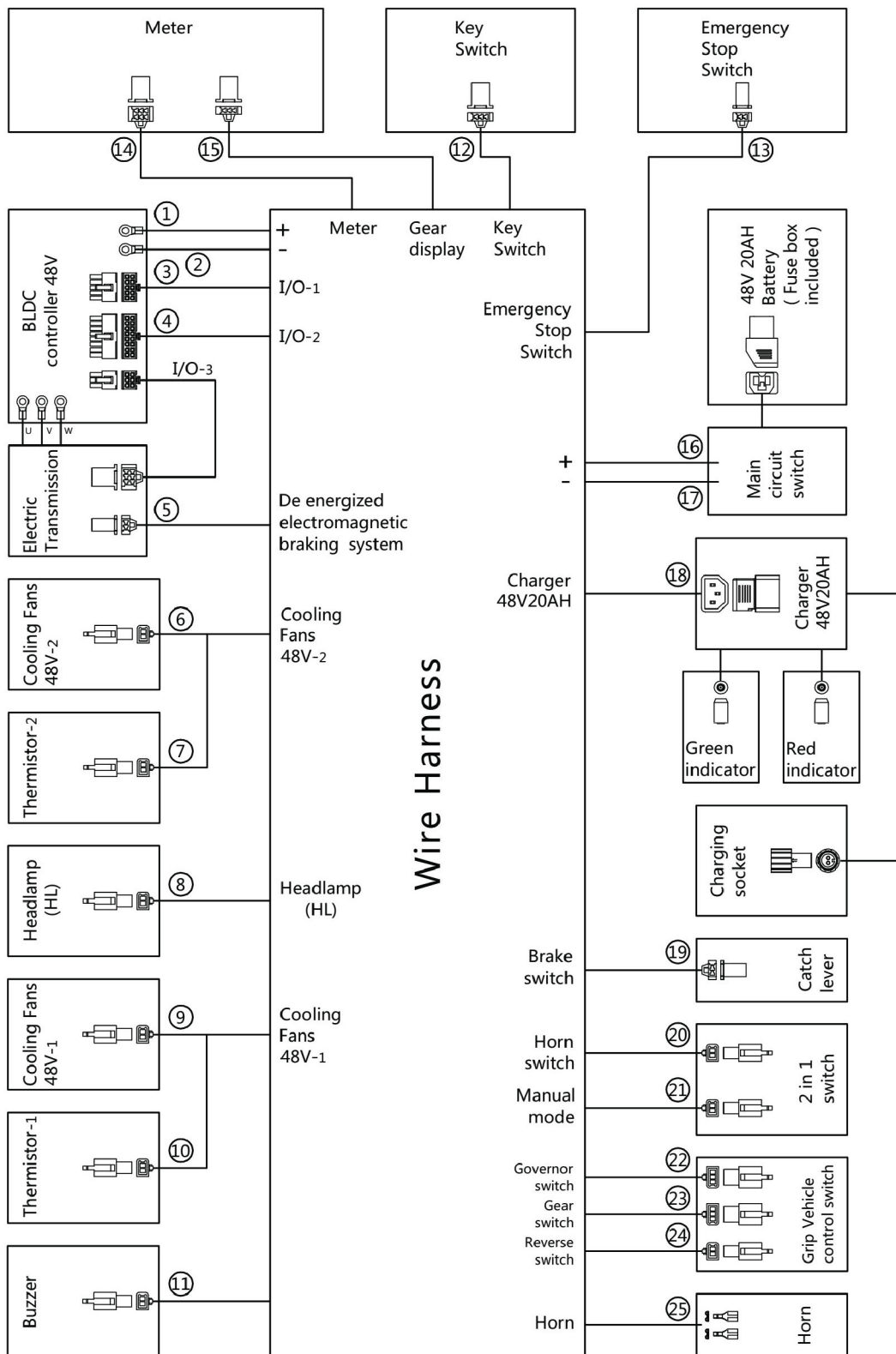
Routine checks of your Power Buggy will ensure trouble-free operation. Inspect and/or service your power buggy at the intervals shown below. A daily check takes only minutes, but could save you hours of time and money. Good usage habits and maintenance will extend the life of the machine!

	DAILY	WEEKLY
State of Battery Charge	●	
Control Cables	●	
Condition of Wiring		●
Tire Pressure		●
Front Wheels: 30 PSI		●
Back Wheels: 30 PSI		●
All Nuts/Bolts		●

## 6. TROUBLESHOOTING

PROBLEM	CAUSE	SOLUTION
Buggy Won't Start	Power not "ON"	Turn power switch underneath control board
	Emergency brake engaged	Release emergency brake engaged
	Battery not charged	Charge Battery

## 7. CIRCUIT DIAGRAM



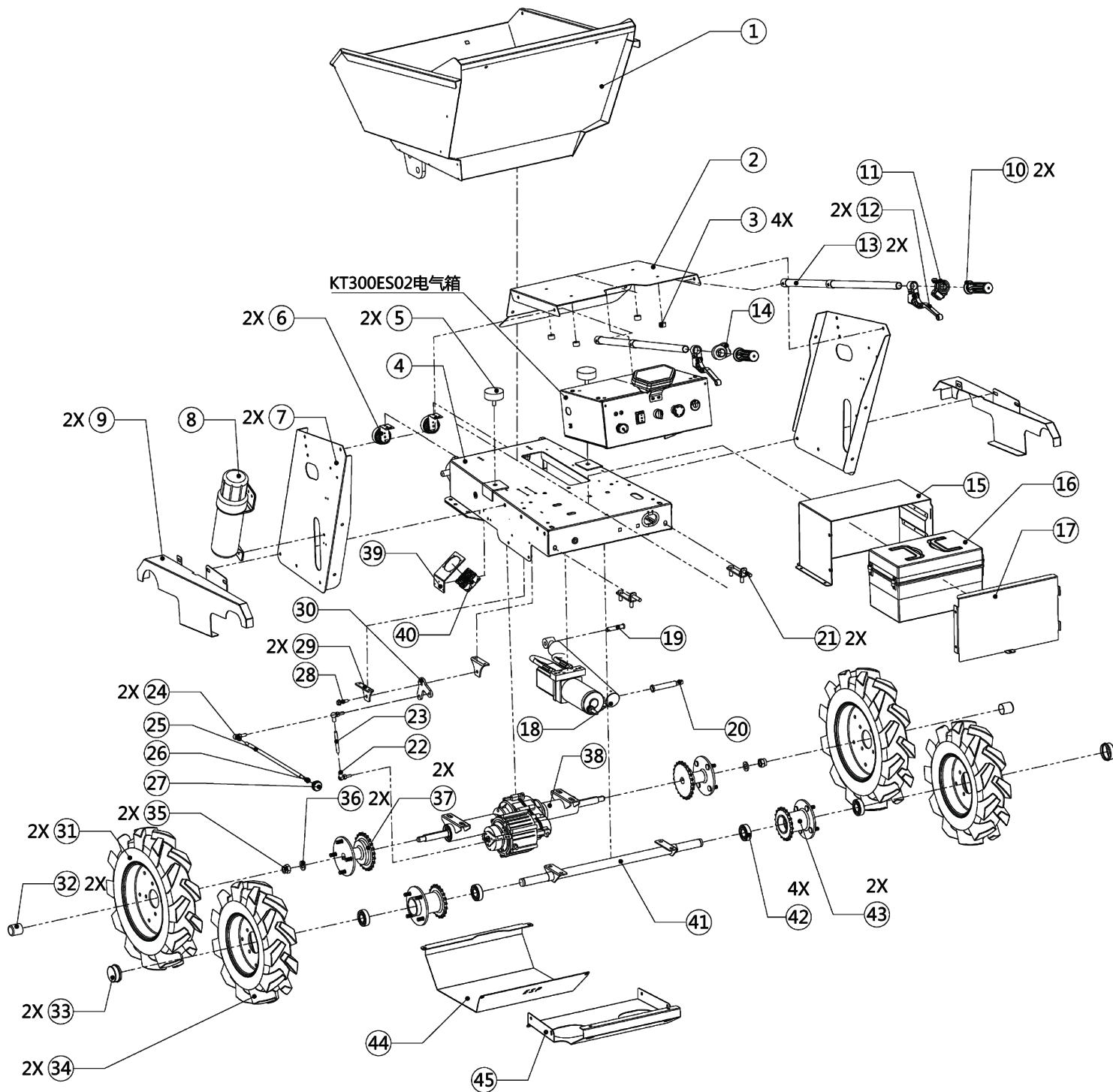
# TOMAHAWK

**TBUGGY300e  
POWER BUGGY**

**Parts Manual**



# TBUGGY300e EXPLOSION DIAGRAM

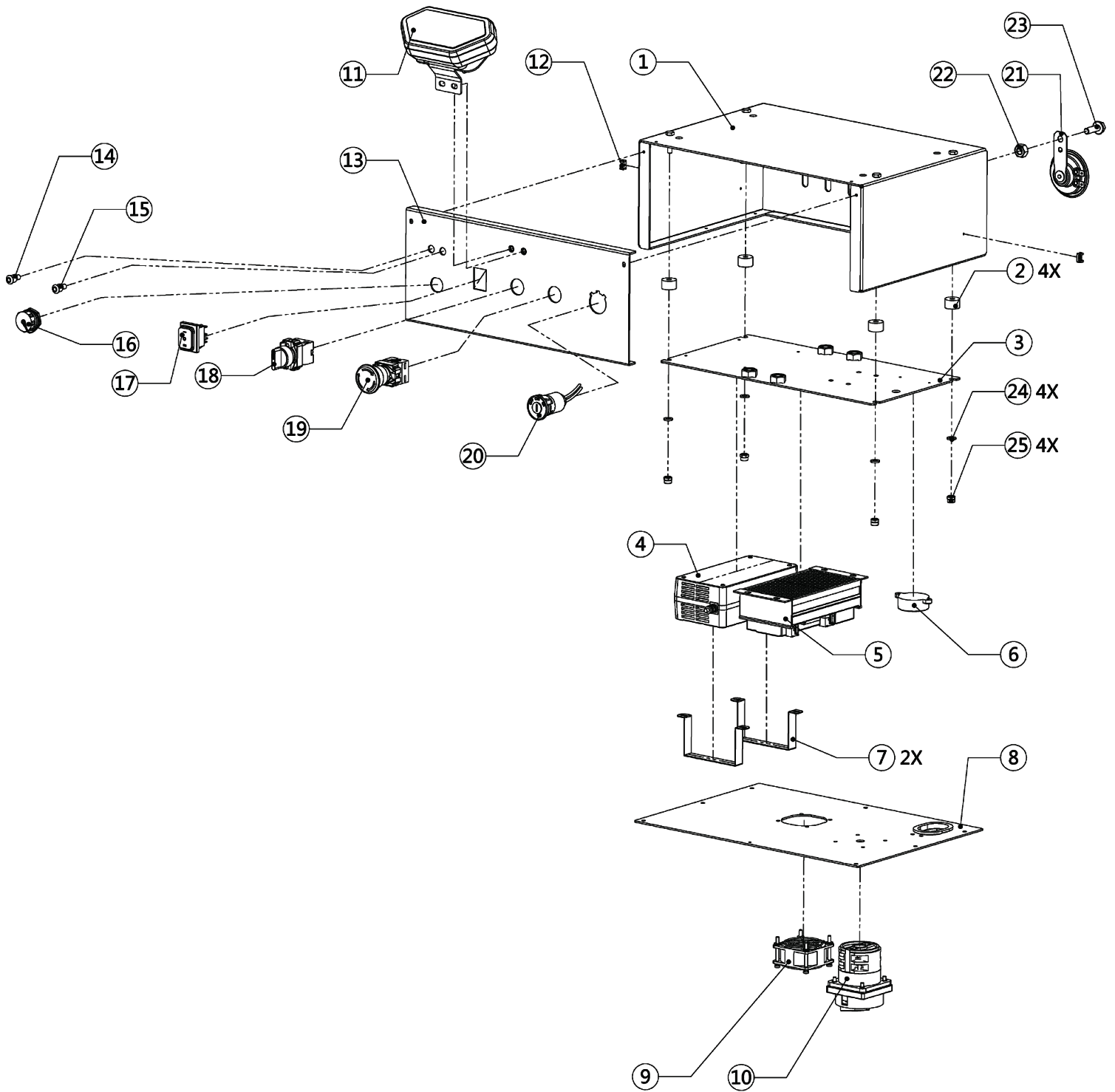




## TBUGGY300e EXPLOSION DIAGRAM

Item	No.	Description	Quantity
1	KT300ESP02M001	Skip Bucket	1
2	KT300ES01M001	Operator Panel	1
3	KT300ES02M006	Cushion Block	4
4	KT300ES04M001	Base Weldment	1
5	JZVE8560221027	Impingement Block VE 60×22- M10×27	2
6	DLEDY480401	Low Beam	2
7	KT300ES01M002	Side Cover Boards	2
8	CWT01	Storage Bucket	1
9	KTMD250A04M004	Chain Cover	2
10	DKHDT2022	Grip	2
11	KGZB01	Transmission Switch	1
12	DKSBK3	Catch Lever	2
13	KT300ES01M004	Hand Tube	2
14	DKDK21	Switch	1
15	KT300ES03M001	Battery Compartment Welding	1
16	DCQS01	48V 20AH Battery	1
17	KT300ES03M005	Battery Compartment Cover	1
18	EHY043505023501	Electric Hydro Piston System	1
19	XZ1260	Pin Shaft 1260	1
20	KT300ESP03M003	Pin Shaft 1683	1
21	KTMD250A03M005	Adjusting Plate Weldment	2
22	QJPZ0806	KYC250SM8M6 Ball joint	1
23	KT300ES06M006	Connecting Screw	1
24	QJPZ08	KYC250SM8 Ball joint	2
25	KT300ES06M005	Brake Handle	1
26	LMLJPTZ0108	GB FASTENER NUT SNAB1 M8	1
27	SBQ01M8	Handle Ball	1
28	LSFLWLJGB0830Z	GB FASTENER BOLT HFBBM8 ×30	1
29	KT300ES06M001	Brake Bracket	2
30	KT300ES06M004	Brake Connecting Plate	1
31	LTRW24010	Wheel Complete (10")	2
32	LGT012525	Rubber Sleeve	2
33	FCG0152	Dust Cover	2
34	LTRW24008	Wheel Complete (8")	2
35	LMLJNLSJZ0116	GB Hexagon Type9 M16	2
36	DPPADGB16Z	GB FASTENER WASHER PENA 16	2
37	KT300ES07M001	Sprocket Flange	2
38	KTT28690	Electric Transmission Type KTT28690	1
39	KT300ES07M002	Fan Bracket	1
40	SR01	Cooling Fans 48V	1
41	KTMD250A03M001	Rear Axle Assembly	1
42	ZCGBSGQ6205	Rolling Bearings 6205	4
43	KTMD250A03M004	Rear Sprocket Flange	2
44	KT300ESP03M002	Front Protective Plate	1
45	KT300ESP03M001	Rear Protection Plate	1

# TBUGGY300e EXPLOSION DIAGRAM



## TBUGGY300e EXPLOSION DIAGRAM

Item	No.	Description	Quantity
1	KT300ES02M001	Electric Box Welding	1
2	KT300ES02M006	Cushion Block	4
3	KT300ES02M005	Electrical Mounting Plate	1
4	CDKY482001	Charger 48V20AH	1
5	KZES4810	BLDC Controller 48V	1
6	FMY01	Buzzer	1
7	KT300EN04M016	Charger Hoop	2
8	KT300ES02M003	Electric Box Cover	1
9	SR01	Cooling Fans 48V	1
10	KGZHM226320402	Main Power Switch	1
11	YBXW01	Meter	1
12	HC1S3M	Fixed Seat	1
13	KT300ES02M004	Key Switch Board	1
14	CDLEDR01	Charging Indicator (REDLED)	1
15	CDLEDG01	Charging Indicator (GreenLED)	1
16	CDJKSP2101	Charging Port	1
17	KGQBFS1663	Headlamp Switch (3 Gears)	1
18	NP2BD33	3 Gear Switch	1
19	KGJTBE102	Emergency Stop Switch	1
20	KGYSDT011	Key Switch	1
21	LB01	Horn	1
22	LMLJPTZ0108	GB FASTENER NUT SNAB 1 M8	1
23	LSFLWLJGB0825Z	GB FASTENER BOLT HFBB M8×25	1
24	DPPADGB06Z	GB FASTENER WASHER P ENA 6	4
25	LMLJNLSJZ0106	GB Hexagon Type9 M6	4



**TOMAHAWK**

# ACHIEVE 100% COMPACTION RATINGS

With a compaction force of 3000 lbs/ft<sup>2</sup>, reduce the amount of passes needed and **Achieve 100% Compaction Ratings** on field density tests on soils up to 22 inches! Built with a 21"x17" beveled plate, this compactor is great for compaction projects including sidewalks, driveways, & more!



Item #: TPC80 and TPC80H  
**PLATE COMPACTOR**  
**3000 LBS/FT<sup>2</sup>**

[www.tomahawk-power.com](http://www.tomahawk-power.com)





# FINISH 4X FASTER

Master your next concrete job with power screeds from **TOMAHAWK**! Achieve incredible finishes 4x faster than traditional methods to increase crew efficiency and jobsite profit! Choose magnesium or aluminum screed boards from 4ft to 14ft long.

Item #: TVSA-H

**4'-6'-8'-10'-12'-14'**  
**POWER SCREEDS**

[www.tomahawk-power.com](http://www.tomahawk-power.com) 





# NEVER PUMP NEVER LOSE PRESSURE

Lose the manual pump and gain the power to spray **15,000 ft<sup>2</sup> in 10 minutes** or less while maintaining constant, adjustable pressure from 50-435 PSI with your ideal concrete sealant, cure, top cast, form release, and more!



Item #: TCS6.5

**6.5 GAL MOTORIZED  
CONCRETE SPRAYER**

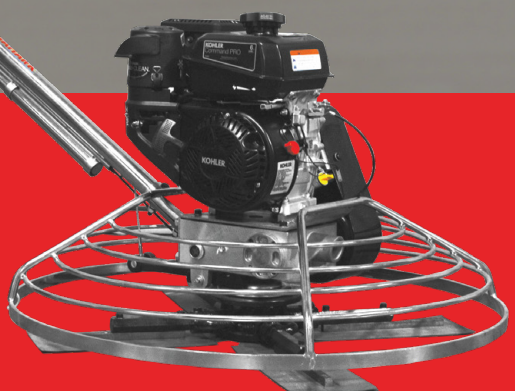
[www.tomahawk-power.com](http://www.tomahawk-power.com)





# POWER YOUR WORLD

Perfect for concrete finishing of warehouses, decks, parking lots, and more, adjust from 0-28 degrees with 4 Combo hardened, tempered steel blades to **achieve a matte, light gloss, or gleaming finish!**



Item #: JXPT46K  
**24" - 36" - 46"**  
**POWER TROWELS**

[www.tomahawk-power.com](http://www.tomahawk-power.com) 



# TAKE BACK YOUR YARD

## Enjoy the outdoors again.

Tomahawk mosquito foggers deliver the power to eliminate virus-carrying pests, before they ruin outdoor activities for your friends and family. **10x Faster** than manual sprayers, cover 1 acre in less than 30 minutes with **40ft of Reach**. Great for year-round use, Tomahawk Foggers are also an excellent leaf blowing solution. No matter the season, keep your yard pest free and looking great!



Item #: TMD14  
**3.7 GALLON TURBO  
BACKPACK FOGGER**

[www.tomahawk-power.com](http://www.tomahawk-power.com) 







# SPRAY TODAY ENJOY TOMORROW

Offering *adjustable pressure* from 20 to 70 PSI, Tomahawk Battery Sprayers are perfect for spraying residential and commercial areas! Powered by a superior 7Ah lithium battery with up to **11 hours of life**, spray 6000 ft<sup>2</sup> in 10 minutes or less!



Item #: eTPS18

**4.75 GALLON BATTERY  
BACKPACK SPRAYER**

[www.tomahawk-power.com](http://www.tomahawk-power.com) 

# TOMAHAWK

## PRODUCT CATALOG

COMPACTION



HONDA  
ENGINES

**3,550 lbs/ft Vibratory Rammer**  
Part#: TR68H

3.6 HP Honda GXR120 Engine  
Easily achieve a 100% compaction rating  
3-in-One Fuel System with carburetor protection  
13" x 11" plate for narrow trenches and corners  
3 Year Engine Warranty & 1 Year Product Warranty



HONDA  
ENGINES

**3,400 lbs/ft Plate Compactor**  
Part#: TPC90H

5.5 HP Honda GX160 Engine  
Easily achieve a 100% compaction rating  
22" x 20" cold, rolled steel beveled base plate  
Includes 3.5 gallon water tank for asphalt compaction  
3 Year Engine Warranty & 1 Year Product Warranty



HONDA  
ENGINES

KOHLER  
ENGINES

**3,000 lbs/ft Plate Compactor**  
Part#: TPC80 & TPC80H

6 HP Kohler CH260 & 5.5 HP Honda GX160 Engines  
Easily achieve a 100% compaction rating  
16.5" x 21.5" plate for narrow trenches and corners  
Optional Honda Engine model: TPC80H  
3 Year Engine Warranty & 1 Year Product Warranty

FINISHING



**6.5 Gal Backpack Concrete Sprayer**  
Part#: TCS6.5

Maintain constant, adjustable pressure up to 450 PSI  
Achieve superior concrete finishes with even spraying  
Spray 15,000 sq ft in less than 10 minutes  
Compatible with major manufacturer wands  
1 Year Product Warranty



HONDA  
ENGINES

**1.6 HP Vibratory Concrete Screed**  
Part#: TVSA-H

1.6 HP Honda GX35 Engine  
Aluminum Magnesium blades available from 8ft - 14ft  
Finish concrete 4X faster than other screed methods  
360° adjustable handle placement  
3 Year Engine Warranty & 1 Year Product Warranty



HONDA  
ENGINES

**6" Early Entry Green Concrete Saw**  
Part#: TFS6H

5.5 HP Honda GX160 Engine  
Maximum cutting depth of 1 3/16 inches  
OSHA compliant vacuum port for dust collection  
Includes 6" early entry concrete blade  
3 Year Engine Warranty & 1 Year Product Warranty

FINISHING



HONDA  
ENGINES

**1.6HP Backpack Concrete Vibrator**  
Part#: TVIBH + TVW10-P

1.6 HP Honda GX35 engine  
Consolidation with speeds of 10,000-12,000 VPM  
Quick Connect centrifugal clutch vibrator  
1" and 2" Diameter Whips Available in 10ft Length  
3 Year Engine Warranty & 1 Year Product Warranty



HONDA  
ENGINES

KOHLER  
ENGINES

**36" & 46" Concrete Power Trowel**  
Part#: TPT36H/K & TPT46H/K

6 HP/14HP Kohler & 5.5HP/8.5HP Honda Engines  
Adjust trowel blade pitch from 0-28°  
60-115 RPM rotor speed for superior concrete finishes  
Includes float pan and trowel blades  
3 Year Engine Warranty & 1 Year Product Warranty



HONDA  
ENGINES

**8" Gas Powered Concrete Scarifier**  
Part#: TSCAR8H

5.5 HP Honda GX160 Engine  
Remove traffic lines at 800 - 1,000 linear ft/hr  
Tungsten Carbide Blade Kit Available  
OSHA approved dust port for silica vacuum removal  
3 Year Engine Warranty & 1 Year Product Warranty

HAVE QUESTIONS?

Contact us. *We're here to help!*

Email us at [sales@tomahawk-power.com](mailto:sales@tomahawk-power.com)



USE CODE

**SAVE10**

AT CHECKOUT FOR

**10% OFF YOUR ORDER AT**

**WWW.TOMAHAWK-POWER.COM**

POWER / WELDING

INVERTER SERIES



**2000 Watt Inverter Generator**  
Part#: TG2000I

2000 Max Watts, 1600 Rated Watts  
Run Time of 8 hours on 1 gallon of gas  
OSHA and GFCI Compliant  
Parallel technology capable for double the power  
2 Year Product Warranty

INVERTER SERIES



**210 Amp Portable Welder Generator**  
Part#: TWG210A

Steady 50 - 210 Amp DC welding output  
60% Duty Cycle for extended use  
Suitable for welding rods from 6010 to 7024  
Electric Key Start with battery included  
2 Year Product Warranty



**7000 Watt Generators**  
Part#: TG7000

7000 Max Watts, 5500 Rated Watts  
Voltage Selector gives Full Wattage for 120V or 240V  
Run Time of 8 hours at 50% Load  
OSHA and GFCI Compliant  
2 Year Product Warranty

PEST CONTROL



**3.7 Gallon 3HP Backpack Fogger**  
Part#: TMD14

Turbo Boosted Pump with 40ft + Horizontal Reach  
Sprays 1 acre in 30 minutes  
10X Faster than Manual Pump Sprayers  
Converts to Leaf Blower with 200 MPH Air Velocity  
1 Year Product Warranty



**4.75 Gallon Battery Power Sprayer**  
Part#: eTPS18

Reach Up to 30ft Horizontal Reach  
Sprays 6000 sq ft in 10 minutes  
10X Faster than Manual Pump Sprayers  
70 PSI Commercial Grade Pump  
1 Year Product Warranty



**5 Gallon Backpack Power Sprayer**  
Part#: TPS25

Reach Up to 30ft Horizontal Reach  
Sprays acres in 10 minutes  
10X Faster than Manual Pump Sprayers  
50-435 Adjustable PSI Commercial Grade Pump  
1 Year Product Warranty

AND MORE



**4 Gal. Backpack Fertilizer Spreader**  
Part#: TGS30

Reach up to 30ft Horizontally  
Sprays 1 acre in 30 minutes  
20X Faster than push spreaders  
Converts to Leaf Blower with 200 MPH Air Velocity  
1 Year Product Warranty



**3" Full Trash Water Pump**  
Part#: TW3H

Moves liquids at a rate up to 375 gal/min  
Handle solids up to 1.5"  
Silicone carbide seals and a chrome plated volute  
8 HP engine protected by rugged all purpose frame  
3 Year Engine Warranty & 1 Year Product Warranty



**Commercial 38" Push Sweeper**  
Part#: TOS38

Collect up to 14.5 gallons of dust and debris  
Can be used indoors & outdoors on wet or dry surfaces  
Includes integrated airflow control and fine dust filter  
Lightweight design, capable of fitting through doorways  
1 Year Product Warranty



\* All coupons in this manual are valid only for orders placed on [www.tomahawk-power.com](http://www.tomahawk-power.com), unless otherwise noted. Coupon codes may only be used once per customer and may not be combined with any other offer. Coupons may expire at any time without notice.

(866) 577-4476

[www.tomahawk-power.com](http://www.tomahawk-power.com)



## Power Your World

Tomahawk understands to keep a job-site running smoothly the proper equipment and spare parts are needed at the drop of a hat. With same day shipping and faster delivery times, count on Tomahawk to keep you powered throughout the day! With long lasting parts and engines, Tomahawk equipment will be the star of your fleet for years to come. Visit [www.tomahawk-power.com](http://www.tomahawk-power.com) to get started today!

# TOMAHAWK

Tomahawk Power, LLC  
San Diego, CA

**Sales Support**  
(866) 577-4476  
[sales@tomahawk-power.com](mailto:sales@tomahawk-power.com)

**Equipment Support**  
(866) 577-4476  
[support@tomahawk-power.com](mailto:support@tomahawk-power.com)

[www.tomahawk-power.com](http://www.tomahawk-power.com)



**FACEBOOK**  
[facebook.com/TomahawkPowerUSA](https://facebook.com/TomahawkPowerUSA)

**YOUTUBE**  
[youtube.com/TomahawkPower](https://youtube.com/TomahawkPower)

**INSTAGRAM**  
[@tomahawkpower](https://instagram.com/tomahawkpower)