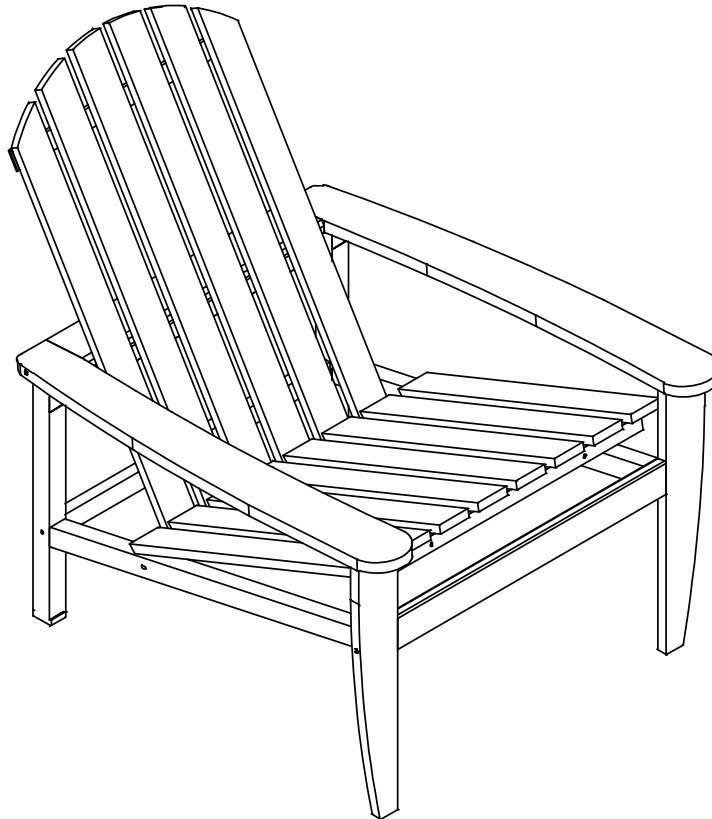


## Jura Wooden Adirondack Chair

Item#: 64166



### ATTACH YOUR RECEIPT HERE

Keep a copy of your proof of purchase or order confirmation which will be needed if you need to contact us about warranty coverage.

Purchase Date: \_\_\_\_\_



### SAVE THESE INSTRUCTIONS FOR FUTURE REFERENCE.



### Questions, problems, missing parts?

Before returning to your retailer, our exceptional customer service is available.

Call toll-free

**(866) 985-7877**

9 a.m. – 9 p.m., EST

Email

**cservice@welltraveled.net**

Live chat

**www.balkenehome.com**

9 a.m. – 6 p.m., EST, Mon-Fri



## BEFORE YOU BEGIN

Before beginning assembly, make sure all parts are present. Compare parts received with the “Parts List.” If any part is missing or damaged, do NOT attempt to assemble the product. Please read and understand this entire manual before attempting to assemble, operate or install this product. If you have any questions regarding the product, please contact Customer Service.



## GENERAL INFORMATION

Your new chair is made from the finest materials available. It should provide many years of enjoyment with minimal care. This chair is intended for outdoor use but as with all wood products, it will age faster with exposure to the weather and sun.

For best results, keep your chair clean and dry. Clean with a soft, damp cloth. If you use furniture covers, always make sure the chair is clean and completely dry before covering, as mold may form in dark, wet places. Between uses and when seasonally out of use, store this chair in a dry, temperature controlled place to prolong its useful lifespan. Check the hardware connections on your chair regularly to make sure they are secure.

To avoid damaging the chair, do not drag when moving.

The weight limit for this chair is 285 LB/130 KG.



## SAFETY INFORMATION

### WARNING

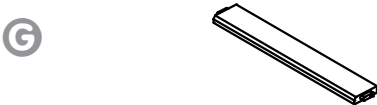
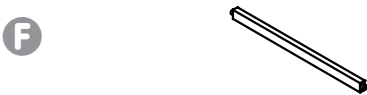
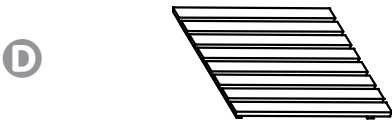
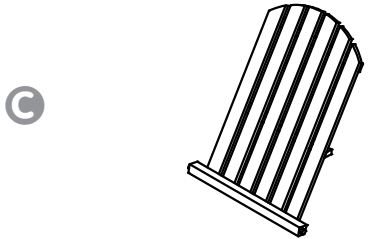
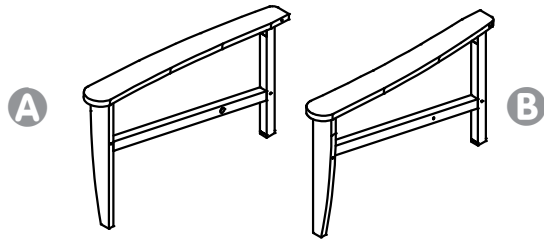
DO NOT stand or allow children to stand on this chair. Make sure connectors are securely in place. Perform periodic checks to make sure the connectors are secure and adjust if needed.

### CAUTION

READ all instructions before beginning assembly. Failure to do so may result in faulty assembly and potential injury. Assemble the item on a soft, non-abrasive surface such as carpet or cardboard to avoid damaging the item.

# PARTS LIST

# BALKENE —HOME—



PART	DESCRIPTION	QUANTITY
A	Right Arm	1
B	Left Arm	1
C	Backrest	1
D	Seat	1
E	Front Brace	1
F	Seat Brace	1
G	Arm Brace	1



## HARDWARE CONTENTS



1

Bolt M6x100  
Qty: 4



2

Bolt M6x60  
Qty: 2



3

Bolt M6x40  
Qty: 1



4

Screw M6x35  
Qty: 6



5

Barrel Nut M6  
Qty: 6



6

Hex Wrench  
Qty: 1



7

Screw M7x70  
Qty: 2

**NOTE:** Assembly of this item involves *mortise and tenon joints*. A *mortise* is a notch or hole in a piece of wood designed to receive a *tenon* of corresponding dimensions.

**WARNING:** Assemble in a clear area on a spacious, nonabrasive surface such as a carpet or blanket. **Do NOT over-tighten hardware, or you risk stressing or cracking the wood.**

**TIP:** As you proceed through assembly, be sure to insert each screw/bolt **STRAIGHT** into the receiving hardware or threaded hole. **Insertion at an angle can strip the threads and prevent secure connections. Do NOT fully tighten any hardware connection until the entire chair is assembled. Then, go back and fully tighten each screw/bolt.**



## PREPARATION:

Before beginning assembly, be sure to empty contents of carton and make sure all parts are present. If any parts are missing, please contact Customer Service.

Place all parts on a soft, level surface for assembly. Assembly is easiest using two people, allowing one person to hold parts in place while the other person installs the hardware.

Estimated assembly time: **30 Minutes**

**DO NOT OVER-TIGHTEN HARDWARE!** Over-tightening hardware can cause wood to crack.



## ASSEMBLE CHAIR FRAME:

Hardware Needed:

❶ Bolt M6x100 x4

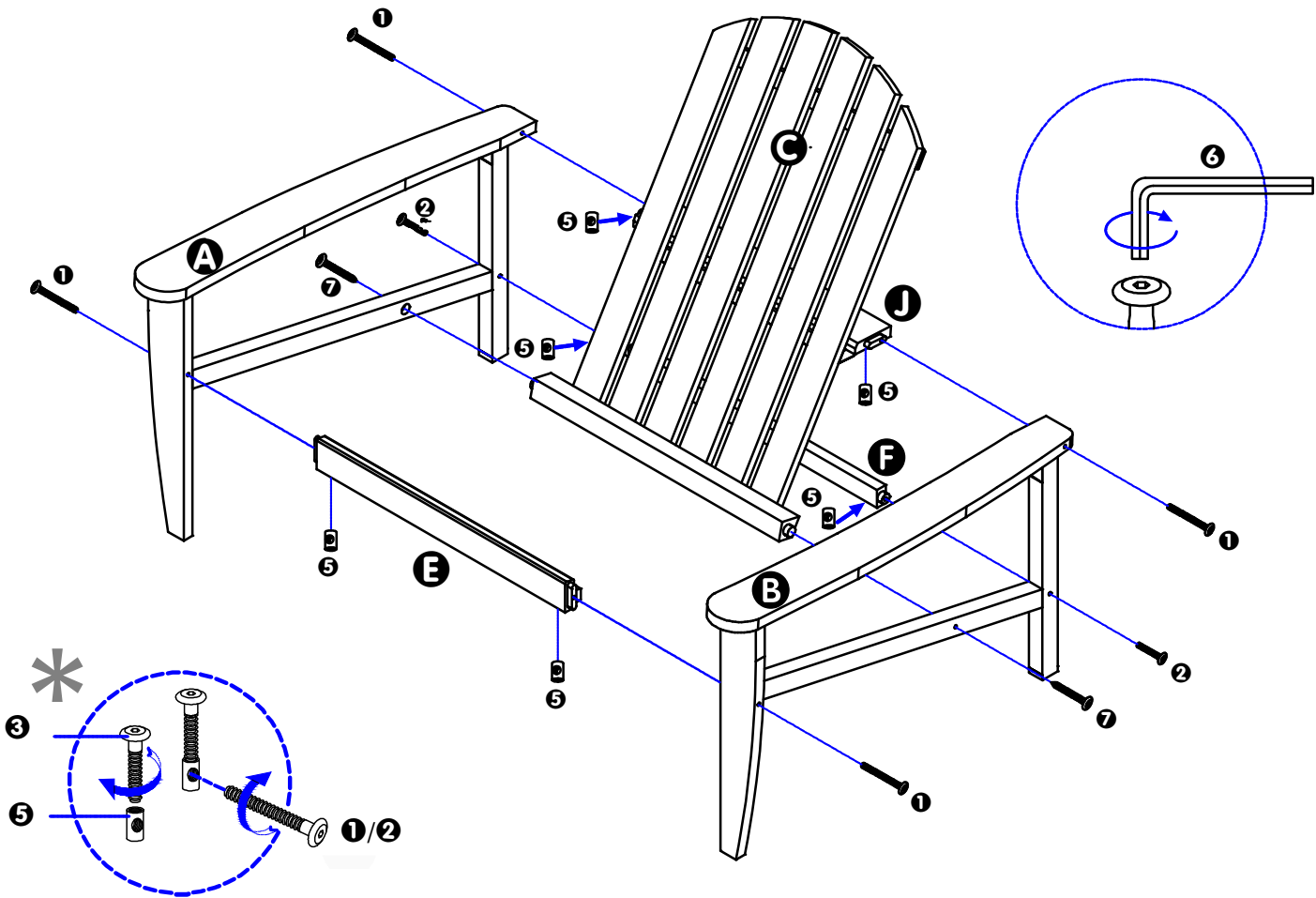
❷ Bolt M6x60 x2

❸ Bolt M6x40 x1

❺ Barrel Nut M6 x6

❹ Screw M7x70 x2

❻ Hex Wrench



**1** Insert the tenon at either end of the **Front Brace E** into the corresponding mortise in the adjoining **Arm** piece. Insert **Barrel Nuts 5** into the 2 holes in the bottom edge of the **Front Brace**, rotated so the threaded holes align with the holes in the ends of the **Front Brace**. Insert a **Bolt 1** through the outer edge of each front leg and into the end of the **Front Brace**. Tighten gently, but leave the hardware loose for easy adjustment until assembly is nearly complete.

**\* TIP:** Insert the **Bolt 3** temporarily into the bottom of each **Barrel Nut 5**, then use the **Hex Wrench 6** to rotate each **Barrel Nut** to the appropriate orientation to align with the adjoining holes. After inserting the appropriate permanent hardware, remove **Bolt 3** to re-use for the remaining **Bolt/Barrel Nut** connections.

**2** Insert the tenons at either end of the bottom of the **Backrest C** into the indicated mortises in either **Arm** piece. Loosely insert a **Screw 7** to secure each connection.

**3** Install the **Arm Brace 6** and **Seat Brace 7** using the same method as Step 1, using **Bolts 1** for the **Arm Brace** and **Bolts 2** for the **Seat Brace**.

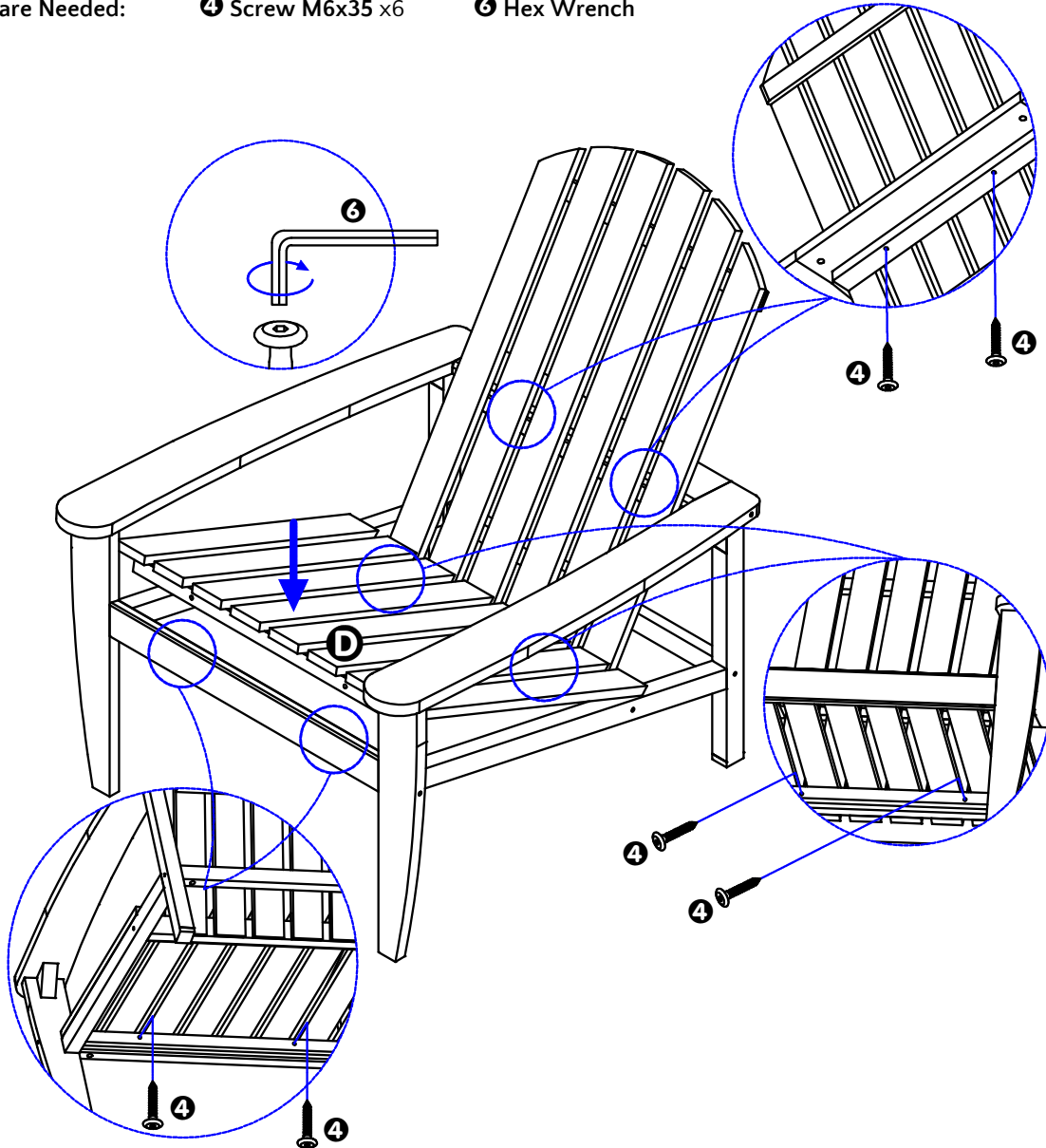


## INSTALL SEAT:

Hardware Needed:

④ Screw M6x35 x6

⑥ Hex Wrench



- 4 Position the **Seat D** as shown, aligning the hardware holes in the bottom of the **Seat** with the corresponding threaded holes in the assembled frame. Insert 2 **Screws ④** through the front cross-piece of the **Seat** and into the **Front Brace E**.
- 5 Insert 2 more **Screws ④** through the back cross-piece of the **Seat** and into the cross-bar at the base of of the **Backrest G**.  
Secure the middle cross-bar of the **Backrest** to the **Arm Brace** using the last 2 **Screws ④**.
- 6 When all parts are joined and all hardware installed, check the overall alignment and squareness of the chair. Then, use the **Hex Wrench ⑥** to firmly tighten all **Bolts** and **Screws** to secure all parts together.



## LIMITED WARRANTY

Customers in the Contiguous US

With proof of purchase from an authorized retailer, this product is warranted for a period of 1 year from original purchase date against defects in materials and workmanship under normal use. This warranty does NOT cover normal wear/weathering, exposure to water, freezing temperatures, oils, fluids, or chemicals OR use in a commercial context if the unit is not designated as a commercial model. At Well Traveled Living's sole discretion, products under warranty will be repaired and/or replaced at no charge to the customer. Returns sent back to Well Traveled Living must be sent via prepaid freight in the original retail packaging.

For warranty service, contact Balkene Home/Well Traveled Living at the address, phone numbers or website and email listed in this owner's manual. Be sure to have your sales receipt, date of purchase and catalogue/model numbers available when calling. All warranty service will be coordinated by Well Traveled Living's Amelia Island, Florida service center. This warranty is extended only to the original owner. Proof of purchase will be required before warranty service is rendered. The sales receipt is the only valid proof of purchase. This warranty only covers failures due to defects in materials or workmanship which occur during normal use. Failures and/or damage which result from accident, negligence, misuse, abuse, neglect, mishandling, alteration or modification, failure to maintain, improper assembly or maintenance, service by unauthorized agency or use of unauthorized components or damage that is attributable to acts of God are NOT covered.

This limited warranty gives you specific legal rights and you may also have other rights which vary from jurisdiction to jurisdiction. The provisions of the United Nations Convention on Contracts for the Sales of Goods shall not apply to this limited warranty or the sale of products covered by this limited warranty.

- THERE ARE NO EXPRESS WARRANTIES EXCEPT AS LISTED.
- PURCHASER ASSUMES ALL RISKS IN THE ASSEMBLY AND OPERATION OF THIS UNIT.
- FAILURE TO FOLLOW WARNINGS AND OPERATIONAL INSTRUCTIONS CONTAINED IN THIS MANUAL CAN RESULT IN SEVERE PROPERTY DAMAGE AND/OR PERSONAL INJURY.
- IN NO EVENT WILL WELL TRAVELED LIVING, OR ITS DIRECTORS, OFFICERS OR AGENTS BE LIABLE TO THE PURCHASER OR ANY THIRD PARTY, WHETHER IN CONTRACT, IN TORT, OR ON ANY OTHER BASIS, FOR ANY INDIRECT, SPECIAL, PUNITIVE, EXEMPLARY, CONSEQUENTIAL, OR INCIDENTAL LOSS, COST, OR DAMAGE ARISING OUT OF OR IN CONNECTION WITH THE SALE, MAINTENANCE, USE, OR INABILITY TO USE THE PRODUCT, EVEN IF WELL TRAVELED LIVING OR ITS DIRECTORS, OFFICERS OR AGENTS HAVE BEEN ADVISED OF THE POSSIBILITY OF SUCH LOSSES, COSTS OR DAMAGES, OR IF SUCH LOSSES, COSTS, OR DAMAGES ARE FORESEEABLE. IN NO EVENT WILL WELL TRAVELED LIVING, OR ITS OFFICERS, DIRECTORS, OR AGENTS BE LIABLE FOR ANY DIRECT LOSSES, COSTS OR DAMAGES THAT EXCEED THE PURCHASE PRICE OF THE PRODUCT.
- SOME JURISDICTIONS DO NOT ALLOW THE EXCLUSION OR LIMITATION OF INCIDENTAL OR CONSEQUENTIAL DAMAGES, SO THE ABOVE LIMITATION OR EXCLUSION MAY NOT APPLY TO THE PURCHASER.

## EXTEND YOUR WARRANTY

When you purchase a Fire Sense or Balkene Home product from any authorized retailer, you'll have peace of mind in knowing that it comes with a one-year warranty. Extend your warranty for *an additional year* when you review your item at [balkenehome.com](http://balkenehome.com) within 365 days of purchase.



### Important Notice

Do NOT return to place of purchase—for customer service and warranty issues:

Call toll-free (866) 985-7877 9 a.m. – 9 p.m., EST  
Email [cservice@welltraveled.net](mailto:cservice@welltraveled.net)  
Live chat [balkenehome.com](http://balkenehome.com) 9 a.m. – 6 p.m., EST, Monday – Friday

Distributed by:  
Well Traveled Living  
716 S 8th Street, Amelia Island, FL 32034  
[balkenehome.com](http://balkenehome.com)  
[cservice@welltraveled.net](mailto:cservice@welltraveled.net)  
(866) 985-7877