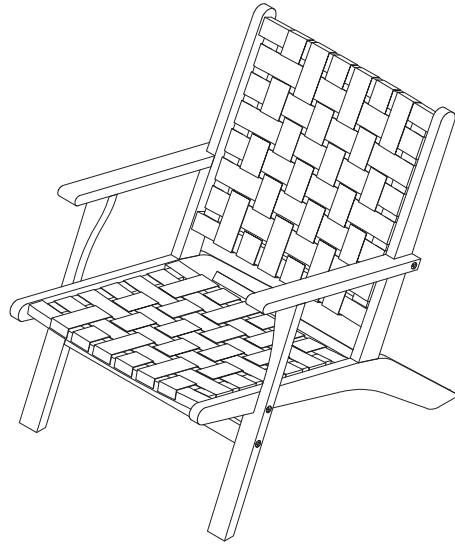
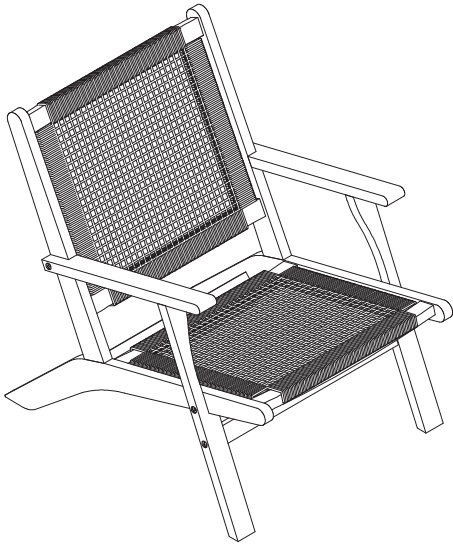


Vega Outdoor Armchair

Item#: 62772 - Driftwood/Black Webbing
62773 - Natural Stain/Khaki Cord
63634 - Natural Stain/Navy Cord
63635 - Natural Stain/Gray Cord
64158 - Natural Stain/Gray+White Wicker



ATTACH YOUR RECEIPT HERE

Keep a copy of your proof of purchase or order confirmation which will be needed if you need to contact us about warranty coverage.

Purchase Date: _____



SAVE THESE INSTRUCTIONS FOR FUTURE REFERENCE.



Questions, problems, missing parts?

Before returning to your retailer, our exceptional customer service is available.

Call toll-free

(866) 985-7877

9 a.m. – 9 p.m., EST

Email

cservice@welltraveled.net

Live chat

www.balkenehome.com

9 a.m. – 6 p.m., EST, Mon-Fri



BEFORE YOU BEGIN

Before beginning assembly, make sure all parts are present. Compare parts received with the “Parts List.” If any part is missing or damaged, do NOT attempt to assemble the product. Please read and understand this entire manual before attempting to assemble, operate or install this product. If you have any questions regarding the product, please contact Customer Service.



GENERAL INFORMATION

Your new chair is made from the finest materials available. It should provide many years of enjoyment with minimal care. This chair is intended for outdoor use but as with all wood products, it will age faster with exposure to the weather and sun.

For best results, keep your chair clean and dry. Clean with a soft, damp cloth. If you use furniture covers, always make sure the chair is clean and completely dry before covering, as mold may form in dark, wet places. Between uses and when seasonally out of use, store this chair in a dry, temperature controlled place to prolong its useful lifespan. Check the hinges on your chair regularly to make sure they are secure.

To avoid damaging the chair, do not drag when moving.

The weight limit for this chair is 330 LB/150 KG.



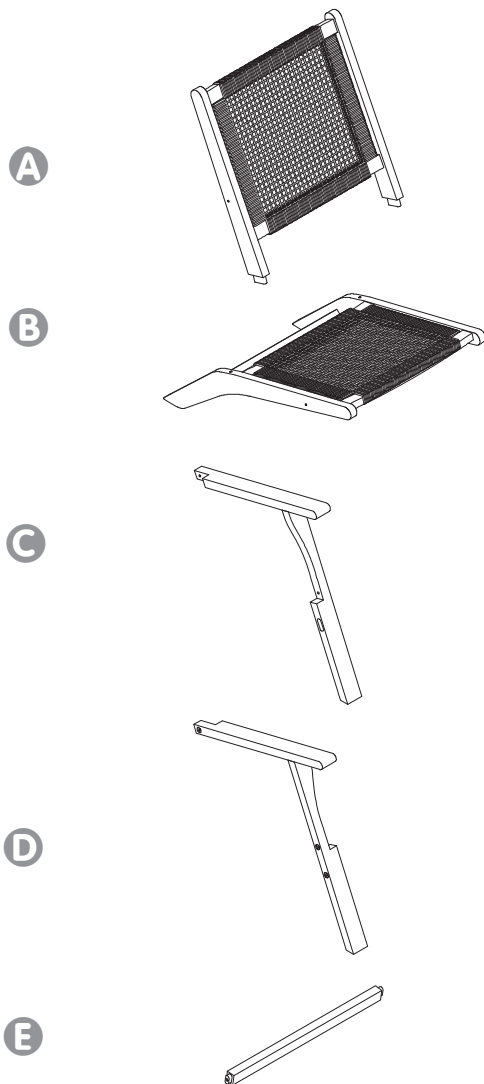
SAFETY INFORMATION

WARNING

DO NOT stand or allow children to stand on this chair. Make sure connectors are securely in place. Perform periodic checks to make sure the connectors are secure and adjust if needed.

CAUTION

READ all instructions before beginning assembly. Failure to do so may result in faulty assembly and potential injury. Assemble the item on a soft, non-abrasive surface such as carpet or cardboard to avoid damaging the item.



PART	DESCRIPTION	QUANTITY
A	Seat Back	1
B	Seat	1
C	Left Arm/Leg	1
D	Right Arm/Leg	1
E	Brace	1



HARDWARE CONTENTS



1

Screw M7x90

Qty: 4



2

Bolt M6x45

Qty: 4



3

Washer 20mm

Qty: 6



4

Hex Wrench

Qty: 1

NOTE: Assembly of this item involves *Mortise and Tenon Joints*. A *Mortise* is a notch or hole in a piece of wood designed to receive a *Tenon* of corresponding dimensions.

WARNING: Assemble in a clear area on a spacious, nonabrasive surface such as a carpet or blanket. **Do NOT over-tighten hardware, or you risk stressing or cracking the wood.**

TIP: As you proceed through assembly, be sure to insert each Screw/Bolt STRAIGHT into the receiving hardware or threaded hole. **Insertion at an angle can strip the threads and prevent secure connections.** **Do NOT fully tighten any hardware connection until the entire chair is assembled.** Then, go back and fully tighten each bolt.



PREPARATION

Before beginning assembly, be sure to empty contents of carton and make sure all parts are present. If any parts are missing, please contact Customer Service.

Place all parts on a soft, level surface for assembly. Estimated Assembly Time: 20 Minutes
DO NOT over-tighten hardware! Over-tightening hardware can cause wood to crack.

- 1 Assemble the seat:** insert the tenon at the bottom of each side of **Seat Back A** into the corresponding mortise drilled *opposite* the curve of the **Seat B** as shown. Insert a **Screw 1** through the hole drilled in the *inside* of the curve and finger-tighten into the **Seat Back**. Repeat to join the other side.

Hardware Used: **1 Screw (7x90) x2**

- 2 Connect the Arms C/D and Brace E:** insert the tenon at one end of the **Brace E** into the corresponding mortise in the side of **Right Arm/Leg D**. Loosely fasten the two pieces together using a **Screw 1** with **Washer 3**. Repeat to attach the **Brace** to the **Left Arm/Leg C**.

Attach the Arms to the assembled Seat B: locate the hole drilled on the front right side of the seat (a few inches back from the front edge) and align it with the hole drilled above the notch in the front right leg, resting the side of the seat on the notch in the inner edge of the right leg.

Connect the two pieces using a **Bolt 2** with **Washer 3**. Finger-tighten, then repeat to attach the left side.

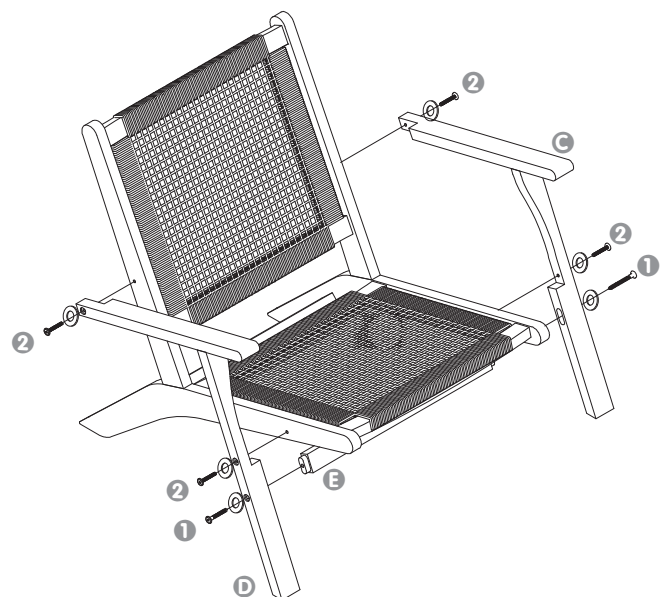
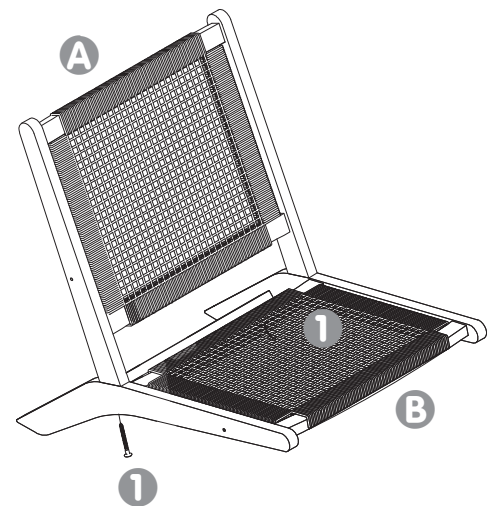
Attach the Arms to the Seat Back: align the hole drilled through the back end of the right arm with the hole about halfway down the right side of the **Seat Back A**. Insert a **Bolt 2** with **Washer 3** and finger-tighten to join. Repeat to attach the left side.

Check that the chair sits level on the ground, then fully tighten all hardware, being careful not to over-tighten.

Your Vega chair is ready for use!

Hardware Used:

- 1 Screw (7x90) x2**
- 2 Bolt (6x45) x4**
- 3 Washer x6**





LIMITED WARRANTY

Customers in the Contiguous US

With proof of purchase from an authorized retailer, this product is warranted for a period of 1 year from original purchase date against defects in materials and workmanship under normal use. This warranty does NOT cover normal wear/weathering, exposure to water, freezing temperatures, oils, fluids, or chemicals OR use in a commercial context if the unit is not designated as a commercial model. At Well Traveled Living's sole discretion, products under warranty will be repaired and/or replaced at no charge to the customer. Returns sent back to Well Traveled Living must be sent via prepaid freight in the original retail packaging.

For warranty service, contact Balkene Home/Well Traveled Living at the address, phone numbers or website and email listed in this owner's manual. Be sure to have your sales receipt, date of purchase and catalogue/model numbers available when calling. All warranty service will be coordinated by Well Traveled Living's Amelia Island, Florida service center. This warranty is extended only to the original owner. Proof of purchase will be required before warranty service is rendered. The sales receipt is the only valid proof of purchase. This warranty only covers failures due to defects in materials or workmanship which occur during normal use. Failures and/or damage which result from accident, negligence, misuse, abuse, neglect, mishandling, alteration or modification, failure to maintain, improper assembly or maintenance, service by unauthorized agency or use of unauthorized components or damage that is attributable to acts of God are NOT covered.

This limited warranty gives you specific legal rights and you may also have other rights which vary from jurisdiction to jurisdiction. The provisions of the United Nations Convention on Contracts for the Sales of Goods shall not apply to this limited warranty or the sale of products covered by this limited warranty.

- THERE ARE NO EXPRESS WARRANTIES EXCEPT AS LISTED.
- PURCHASER ASSUMES ALL RISKS IN THE ASSEMBLY AND OPERATION OF THIS UNIT.
- FAILURE TO FOLLOW WARNINGS AND OPERATIONAL INSTRUCTIONS CONTAINED IN THIS MANUAL CAN RESULT IN SEVERE PROPERTY DAMAGE AND/OR PERSONAL INJURY.
- IN NO EVENT WILL WELL TRAVELED LIVING, OR ITS DIRECTORS, OFFICERS OR AGENTS BE LIABLE TO THE PURCHASER OR ANY THIRD PARTY, WHETHER IN CONTRACT, IN TORT, OR ON ANY OTHER BASIS, FOR ANY INDIRECT, SPECIAL, PUNITIVE, EXEMPLARY, CONSEQUENTIAL, OR INCIDENTAL LOSS, COST, OR DAMAGE ARISING OUT OF OR IN CONNECTION WITH THE SALE, MAINTENANCE, USE, OR INABILITY TO USE THE PRODUCT, EVEN IF WELL TRAVELED LIVING OR ITS DIRECTORS, OFFICERS OR AGENTS HAVE BEEN ADVISED OF THE POSSIBILITY OF SUCH LOSSES, COSTS OR DAMAGES, OR IF SUCH LOSSES, COSTS, OR DAMAGES ARE FORESEEABLE. IN NO EVENT WILL WELL TRAVELED LIVING, OR ITS OFFICERS, DIRECTORS, OR AGENTS BE LIABLE FOR ANY DIRECT LOSSES, COSTS OR DAMAGES THAT EXCEED THE PURCHASE PRICE OF THE PRODUCT.
- SOME JURISDICTIONS DO NOT ALLOW THE EXCLUSION OR LIMITATION OF INCIDENTAL OR CONSEQUENTIAL DAMAGES, SO THE ABOVE LIMITATION OR EXCLUSION MAY NOT APPLY TO THE PURCHASER.

EXTEND YOUR WARRANTY

When you purchase a Fire Sense or Balkene Home product from any authorized retailer, you'll have peace of mind in knowing that it comes with a one-year warranty. Extend your warranty for *an additional year* when you review your item at balkenehome.com within 365 days of purchase.



Important Notice

Do NOT return to place of purchase—for customer service and warranty issues:

Call toll-free (866) 985-7877 9 a.m. – 9 p.m., EST
Email cservice@welltraveled.net
Live chat balkenehome.com 9 a.m. – 6 p.m., EST, Monday – Friday

Distributed by:
Well Traveled Living
716 S 8th Street, Amelia Island, FL 32034
balkenehome.com
cservice@welltraveled.net
(866) 985-7877