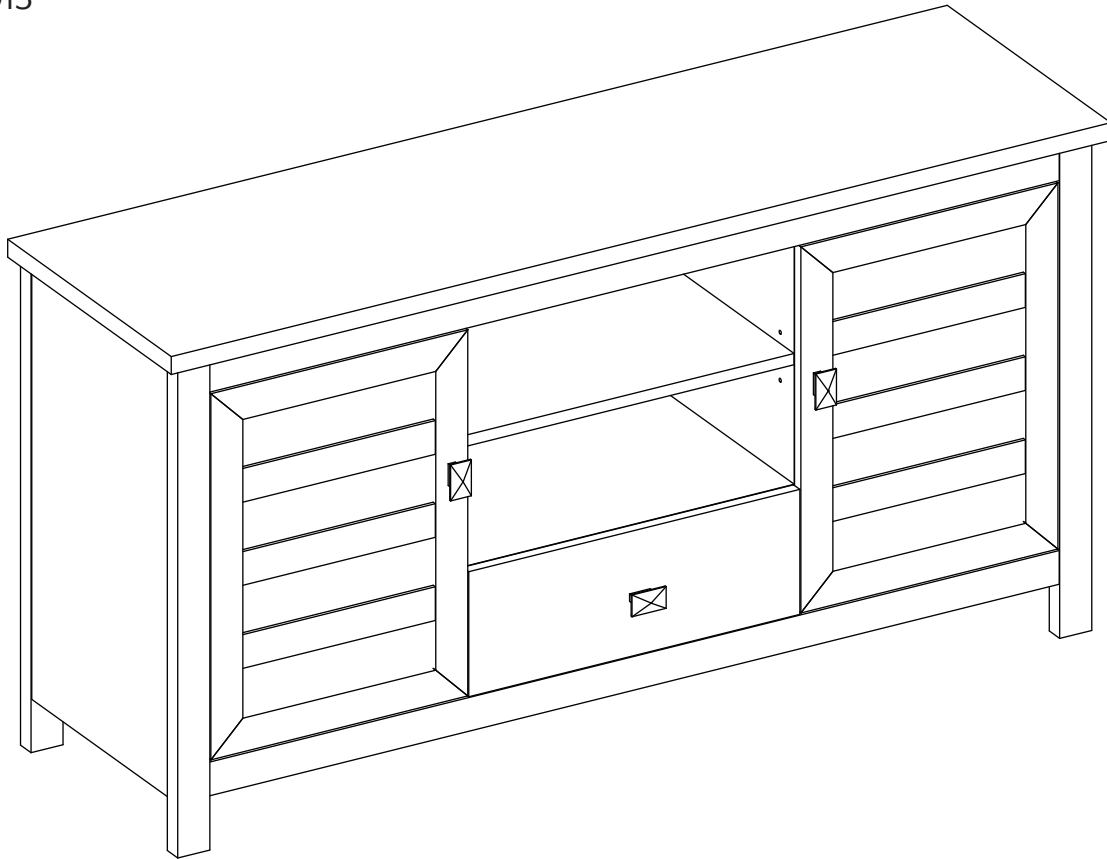


EVANT  
MEDIA CONSOLE

Item#: 64013



**ATTACH YOUR RECEIPT**

Keep a copy of your proof of purchase or order confirmation, which will be needed if you need to contact us about warranty coverage.

Purchase date: \_\_\_\_\_



**SAVE THESE INSTRUCTIONS FOR FUTURE REFERENCE.**



**Questions, problems, missing parts?**

Before returning to your retailer, our Florida-based customer service team is available:

Call toll-free (866) 985-7877  
Email [cservice@welltraveled.net](mailto:cservice@welltraveled.net)  
Live Chat [www.balkenehome.com](http://www.balkenehome.com)

9 am - 9 pm, EST

9 am - 6 pm, EST, Monday - Friday



## BEFORE YOU BEGIN

Before beginning assembly, make sure all parts are present. Compare parts received with the "Parts List." If any part is missing or damaged, do NOT attempt to assemble the product. Please read and understand this entire manual before attempting to assemble this product. If you have any questions regarding the product, please contact Customer Service.

Call toll-free	<b>(866) 985-7877</b>	9 am – 9 pm, EST
Email	<a href="mailto:cservice@welltraveled.net">cservice@welltraveled.net</a>	
Live Chat	<a href="http://www.balkenehome.com">www.balkenehome.com</a>	9 am – 6 pm, EST, Monday – Friday



## GENERAL INFORMATION

This product is made of particle board and MDF. For safe assembly, work on a dry, soft, secure, and clean surface. Do not clean with detergents or chemicals. Do not sit or stand on the unit. Do not place damp or hot items such as coffee cups directly on the surface of this item. Keep away from direct sunlight and water. Do not drag the unit. For indoor use only.



## SAFETY INFORMATION

### WARNING

DO NOT sit or stand, or allow children to sit or stand on the assembled product. Make sure connectors are securely in place. Perform periodic checks to ensure the connectors remain secure and adjust if needed. Keep unassembled parts and hardware away from children and infants. This package contains small parts and sharp edges. Adult assembly required.

### CAUTION

READ all instructions before beginning assembly. Failure to do so may result in faulty assembly and potential injury. Assemble the item on a soft, nonabrasive surface such as carpet or cardboard to avoid damaging the item.

### Max safe load limit:

Top: 25 KG / 55 LB

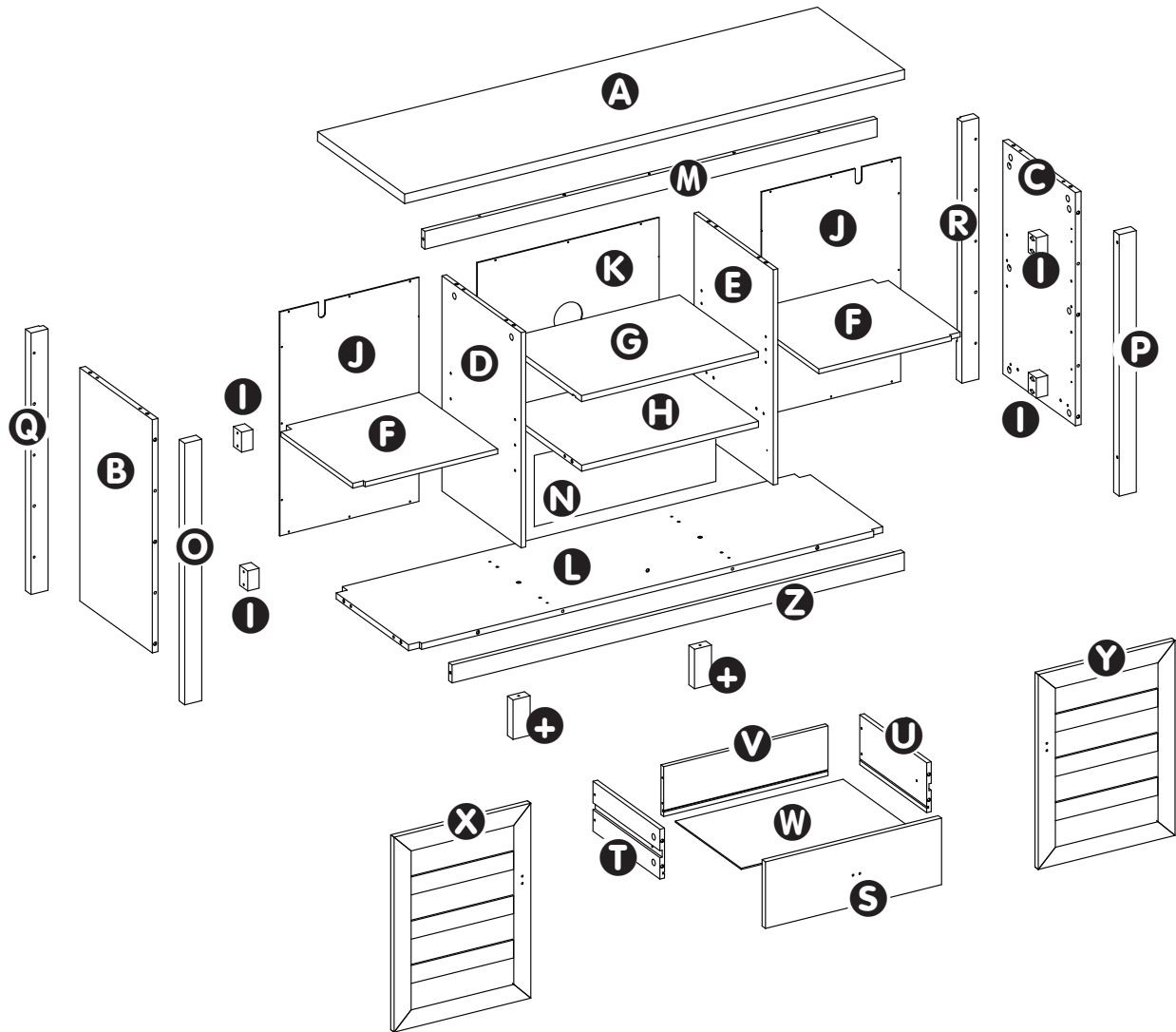
Center Open Shelves: 10 KG / 22 LB (each)

Drawer: 5 KG / 11 LB

Cabinet Shelves: 8 KG / 17.5 LB (each)

# PARTS LIST

# BALKENE —HOME—



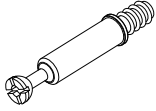
PART	DESCRIPTION	QTY
<b>A</b>	Top Panel	1
<b>B</b>	Left Side	1
<b>C</b>	Right Side	1
<b>D</b>	Left Divider	1
<b>E</b>	Right Divider	1
<b>F</b>	Interior Shelf	2
<b>G</b>	Center Top Shelf	1
<b>H</b>	Center Bottom Shelf	1
<b>I</b>	Hinge Mount Block	4

PART	DESCRIPTION	QTY
<b>J</b>	Cabinet Backer	2
<b>K</b>	Cord Backer	1
<b>L</b>	Bottom Panel	1
<b>M</b>	Top Face Frame	1
<b>N</b>	Bottom Backer	1
<b>O</b>	Front Left Leg	1
<b>P</b>	Front Right Leg	1
<b>Q</b>	Back Left Leg	1
<b>R</b>	Back Right Leg	1

PART	DESCRIPTION	QTY
<b>S</b>	Drawer Front	1
<b>T</b>	Left Drawer Side	1
<b>U</b>	Right Drawer Side	1
<b>V</b>	Drawer Back	1
<b>W</b>	Drawer Bottom	1
<b>X</b>	Left Door	1
<b>Y</b>	Right Door	1
<b>Z</b>	Bottom Face Frame	1
<b>+</b>	Support Leg	2

# HARDWARE CONTENTS

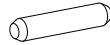
# BALKENE —HOME—



**1**  
Cam Bolt  
6x35mm  
Qty: 35



**2**  
Cam Nut  
Qty: 35



**3**  
Dowel  
6x30mm  
Qty: 36



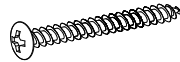
**4**  
Shelf Bracket  
Qty: 12



**5**  
Screw  
4x12mm  
Qty: 2



**6**  
Screw  
4x35mm  
Qty: 18



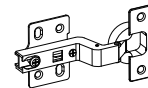
**7**  
Screw  
4x45mm  
Qty: 3



**8**  
Drawer Runner  
Qty: 2



**9**  
Screw  
3x12mm  
Qty: 6



**10**  
Hinge  
Qty: 4



**11**  
Screw  
4x14mm  
Qty: 24



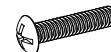
**12**  
Screw  
2.5x10mm  
Qty: 33



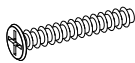
**13**  
Screw Bolt  
4x10mm  
Qty: 2



**14**  
Handle  
Qty: 3



**15**  
Screw Bolt  
4x20mm  
Qty: 6



**16**  
Screw  
5x40mm  
Qty: 2



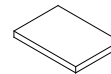
**17**  
Anchor Bracket  
Qty: 2



**18**  
Drywall Anchor  
Qty: 2



**19**  
Bumper  
Qty: 2



**20**  
Foot Pad  
Qty: 6

## YOU WILL NEED FOR ASSEMBLY:

(not included)

Phillips-head screwdriver

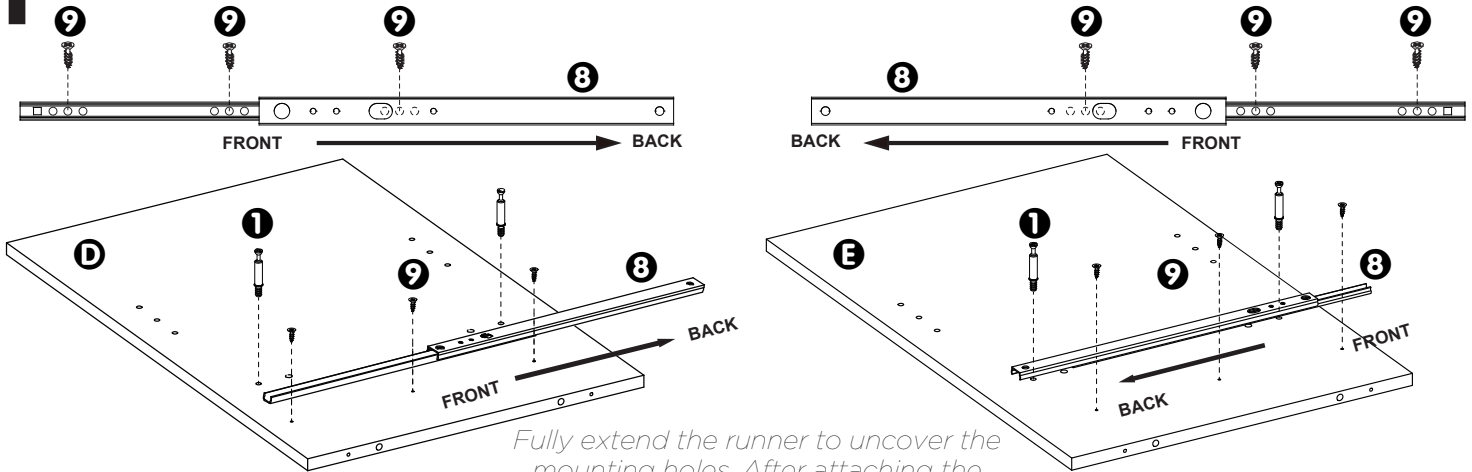
Mallet or hammer

Power drill (to anchor unit to wall)

# ASSEMBLY

# BALKENE —HOME—

**1** Install the Drawer Runners **8** on the Left and Right Dividers **D/E**.



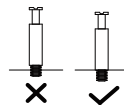
*Fully extend the runner to uncover the mounting holes. After attaching the runner to the panel, push runner back into the closed position.*

Fully extend one **Runner** and align the inner section along the 3 small holes on the **Left Divider**. Verify that the orientation of the **Runner** matches the diagram, then fasten the **Runner** to the **Divider** using 3 **Screws 9** positioned as shown. Once the **Runner** is attached, slide it back to the closed position.

Attach the second **Runner** to the **Right Divider 8** following the same method, checking orientation before inserting **Screws**.

Insert a total of 4 **Cam Bolts 1** into the indicated holes above the **Runners** on each **Divider**.

- Hardware Required:
- 1** Cam Bolt x4
  - 8** Runner x2
  - 9** Screw (3x12mm) x6



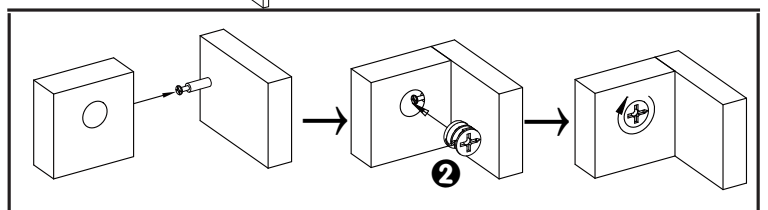
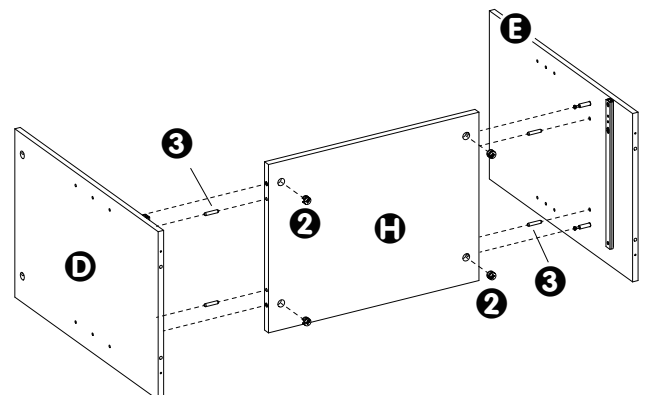
*ASSEMBLY NOTE: Use a Phillips-head screwdriver to tighten each **Cam Bolt** you install until its threads are fully inserted.*

**2** Place **Dowels 3** in the 2 innermost holes on either side of the **Bottom Shelf H**.

Insert the **Cam Bolts 1** previously installed in the **Left Divider D** into the corresponding holes in the edge of the **Bottom Shelf** as shown. Secure by inserting a **Cam Nut 2** into each of the adjoining holes in the underside of the **Bottom Shelf**. (HINT: the small arrow on the flat side of the **Cam Nut** should point toward the adjoining panel.) Use a Phillips-head screwdriver to turn the **Cam Nuts** clockwise to secure the **Cam Bolts**.

Attach the **Right Divider E** to the **Bottom Shelf** using the same method.

- Hardware Required:
- 2** Cam Nut x4
  - 3** Dowel x4

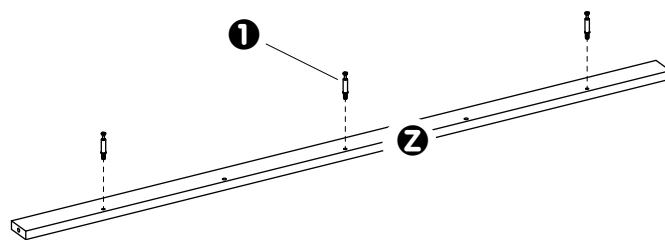


# ASSEMBLY

# BALKENE —HOME—

**3** Insert **Cam Bolts 1** into the indicated holes in the **Bottom Face Frame 2**. Use a Phillips-head screwdriver to tighten the threads fully into the panels.

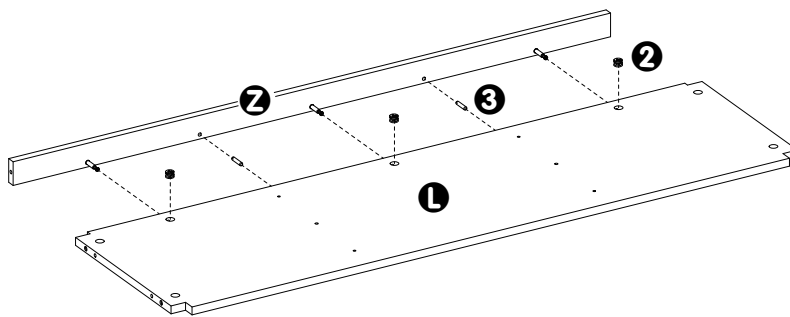
Hardware Required: **1** Cam Bolt x3



**4** Place **Dowels 3** in the 2nd and 4th holes on the edge of the **Bottom Panel L**.

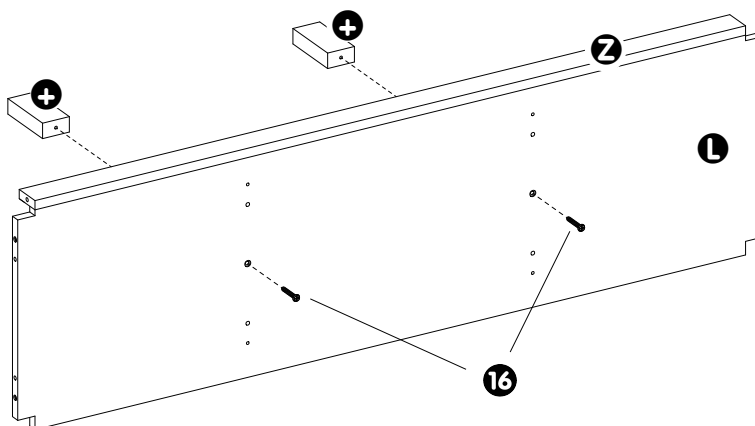
Insert the **Cam Bolts 1** previously installed in the **Bottom Face Frame 2** into the corresponding holes in the edge of the **Bottom Panel L** as shown. Secure by inserting a **Cam Nut 2** into each of the adjoining holes in the underside of the **Bottom Shelf**. Use a Phillips-head screwdriver to turn the **Cam Nuts** clockwise to secure the **Cam Bolts**.

Hardware Required: **2** Cam Nut x3  
**3** Dowel x2



**5** Install the **Support Legs +** on the bottom of the **Bottom Panel L** using 2 **Screws 16** as shown.

Hardware Required: **16** Screw (5x40mm) x2



# ASSEMBLY

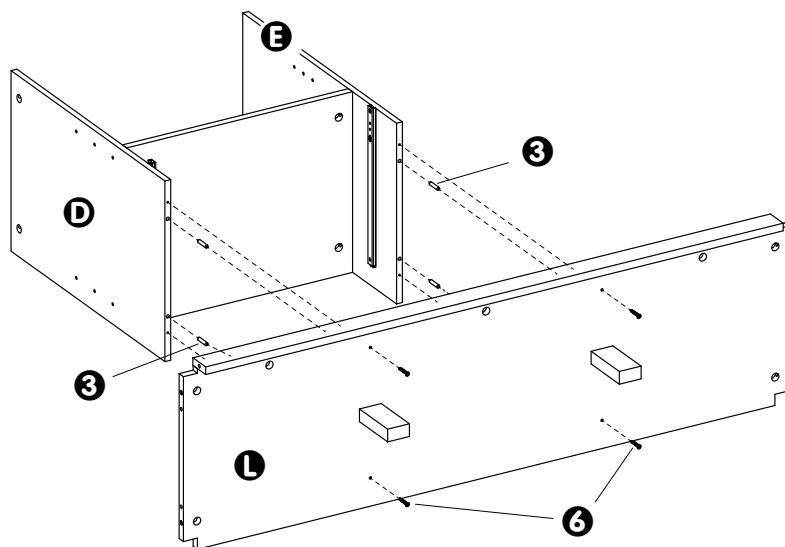
# BALKENE —HOME—

**6** Place **Dowels 3** in the 2 center-most holes in the bottom edges of both the **Left and Right Dividers D/E**.

Insert the installed **Dowels** into the corresponding holes on the top of the **Bottom Panel L**.

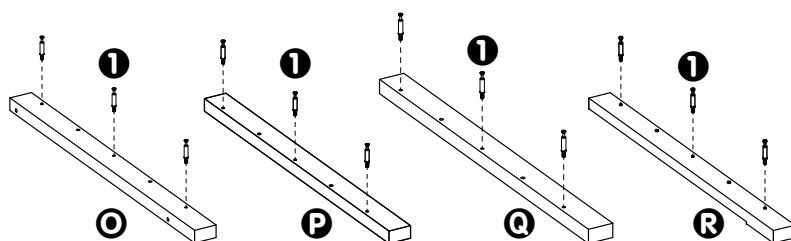
Secure the components together by inserting 4 **Screws 6** through the bottom of the **Bottom Panel** and into the **Dividers**.

Hardware Required: **3** Dowel x4  
**6** Screw (4x35mm) x4



**7** Insert **Cam Bolts 1** into the indicated holes in the frame **Legs O/P/Q/R**. Use a Phillips-head screwdriver to tighten the threads fully into the **Legs**.

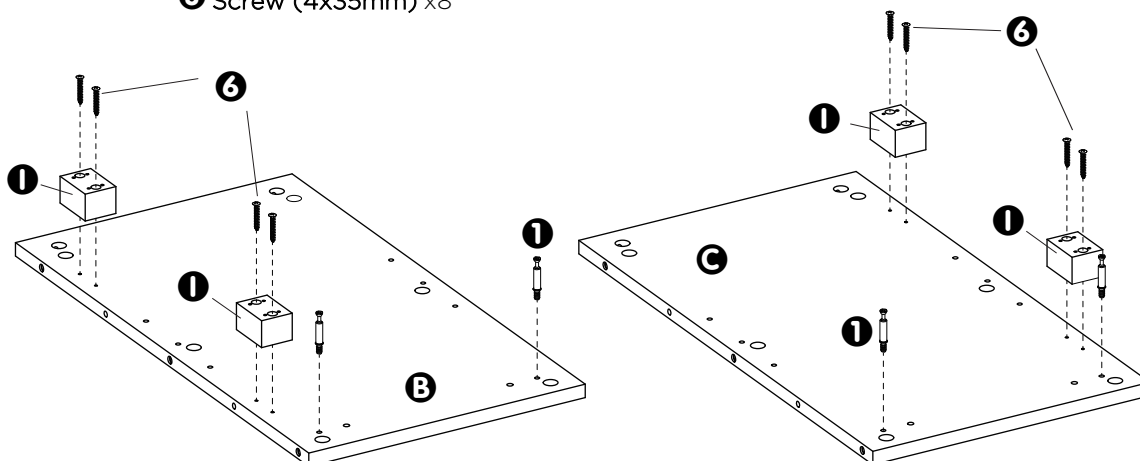
Hardware Required: **1** Cam Bolt x12



**8** Install the **Hinge Mount Blocks 1** on the **Left and Right Sides B/C** using 2 **Screws 6** per **Block**.

Insert a **Cam Bolt 1** into the 2 indicated holes in each **Side**.

Hardware Required: **1** Cam Bolt x4  
**6** Screw (4x35mm) x8



# ASSEMBLY

# BALKENE —HOME—

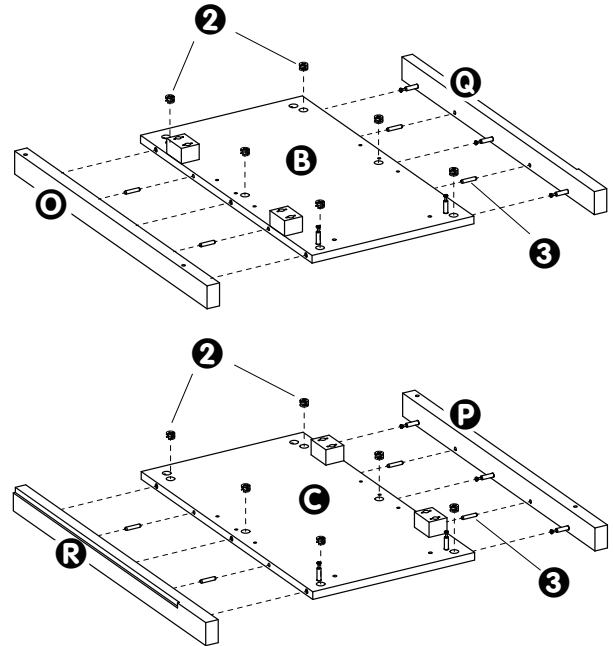
**9** Place **Dowels 3** in the holes between the previously-installed **Cam Nuts** in each frame **Leg O/P/Q/R**.

Insert the **Cam Bolts** and **Dowels** in **Front Left Leg O** into the edge of **Left Side B** adjacent to the **Hinge Mount Blocks 1**. Secure by inserting a **Cam Nut 2** into each of the 3 adjoining holes on the inner face of the **Left Side**. Use a Phillips-head screwdriver to turn the **Cam Nuts** clockwise to secure the **Cam Bolts**.

Repeat to attach the **Back Left Leg Q** to the **Left Side**.

Attach the **Front Right Leg P** and **Back Right Leg R** to the **Right Side C** using the same method described above.

Hardware Required: **2** Cam Nut x12  
**3** Dowel x8

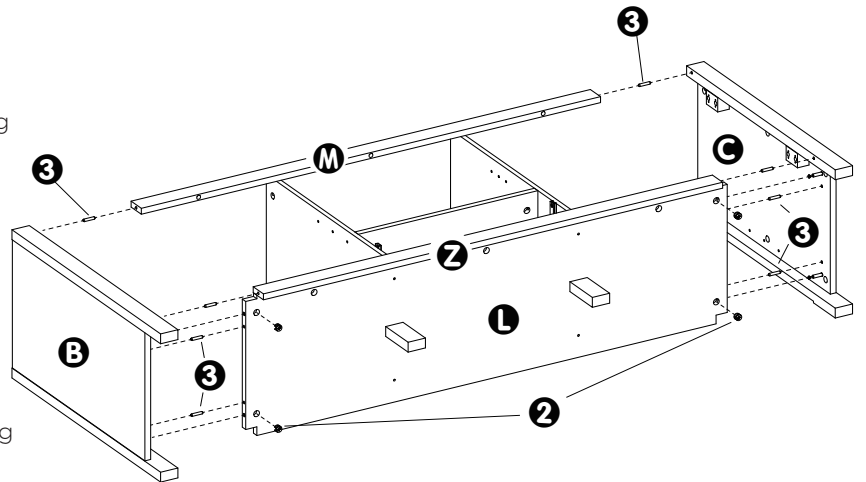


**10** Insert 4 **Dowels 3** into the assembled **Right Side** component as indicated.

Attach the **Right Side** to the partially-assembled unit by inserting the **Dowels** and **Cam Bolts 1** into the corresponding holes in the right ends of the **Top Face Frame M** and **Bottom Panel L**. Secure by inserting a **Cam Nut** into the 2 holes at the underside of the right end of the **Bottom Panel**. Use a Phillips-head screwdriver to turn the **Cam Nuts** to secure the **Cam Bolts**.

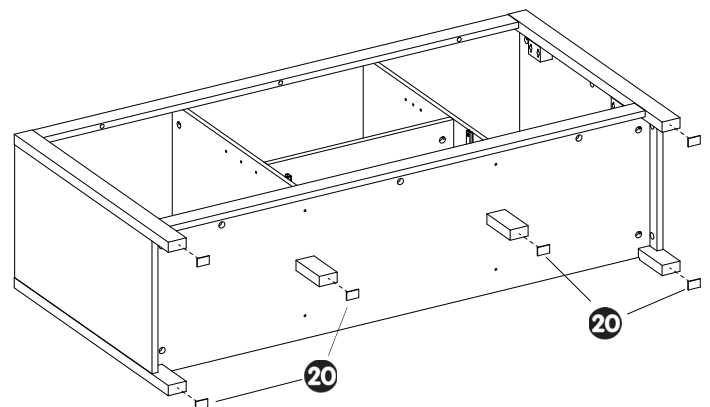
Attach the **Left Side** component to the **Bottom Panel** and **Top Face Frame** using the same method described above.

Hardware Required: **2** Cam Nut x4  
**3** Dowel x8



**11** Apply the **Foot Pads 20** to the bottom of each frame **Leg O/P/Q/R** and **Support Leg 4**. Press firmly to adhere.

Hardware Required: **20** Foot Pad x16



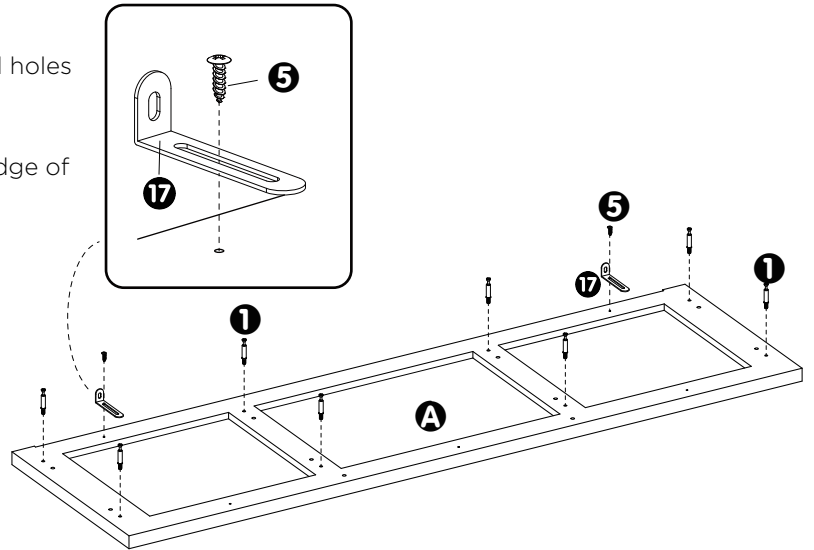


**12** Insert a total of 8 **Cam Bolts 1** into the indicated holes in the underside of the **Top Panel A**.

Attach each **Anchor Bracket 17** near the back edge of the **Top Panel** using a **Screw 5**.

Hardware Required:

- 1** Cam Bolt x8
- 5** Screw (4x12mm) x2
- 17** Anchor Bracket x2



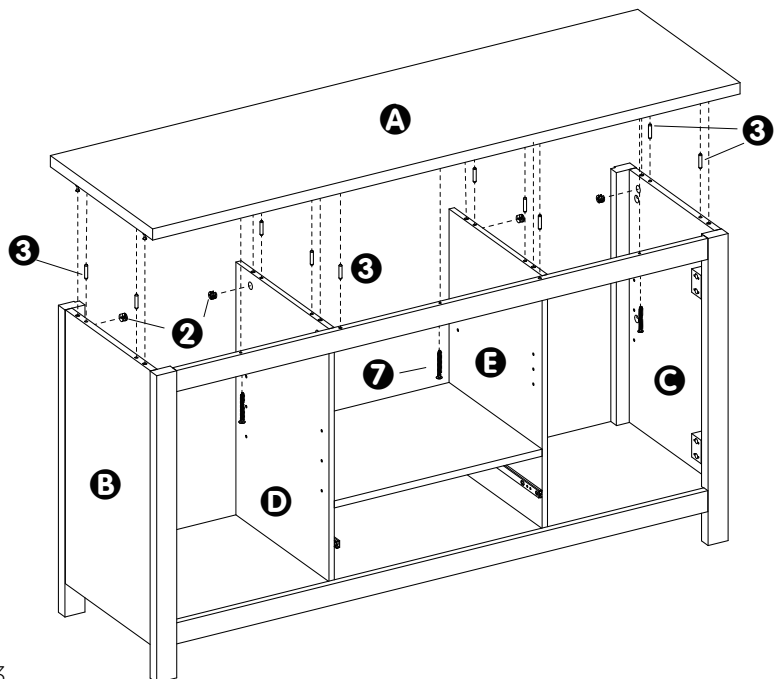
**13** Insert 10 **Dowels 3** in the top edges of the **Left Side B**, **Left Divider D**, and **Right Divider E**, **Right Side C**, and **Top Face Frame M**.

Lower the **Top Panel A** into place by inserting the **Cam Bolts 1** into the top edges of the vertical panels. Secure by inserting a **Cam Nut 2** into each of the adjoining holes near the tops of the vertical panels. Use a Phillips-head screwdriver to turn the **Cam Nuts** clockwise to secure the **Cam Bolts**.

Insert 3 **Screws 7** through the bottom of the **Top Face Frame** and into the **Top Panel**. Tighten with a Phillips-head screwdriver.

Hardware Required:

- 2** Cam Nut x8
- 3** Dowel x10
- 7** Screw (4x45mm) x3



# ASSEMBLY

# BALKENE —HOME—

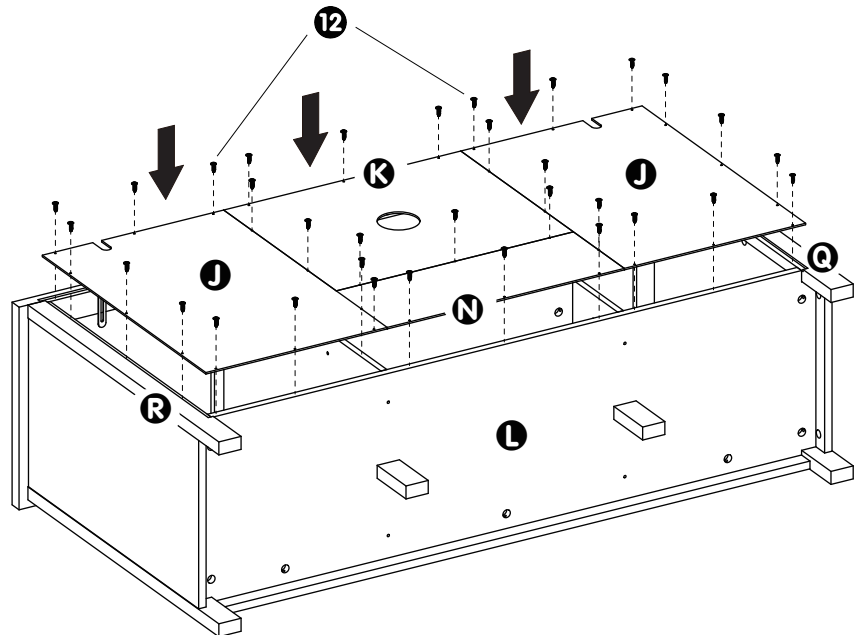
**14** Carefully turn the unit to lay face-down. Position the **Cabinet Backers** **J** to cover the back of the compartments at either end of the unit. Be sure to leave the **Anchor Brackets** **17** exposed.

Position the **Cord Backer** **K** to cover the top center compartment. Place the **Bottom Backer** **N** to cover the back of the bottom center compartment.

Use **Screws** **12** to secure all edges of the **Backers** as shown.

Hardware Required:

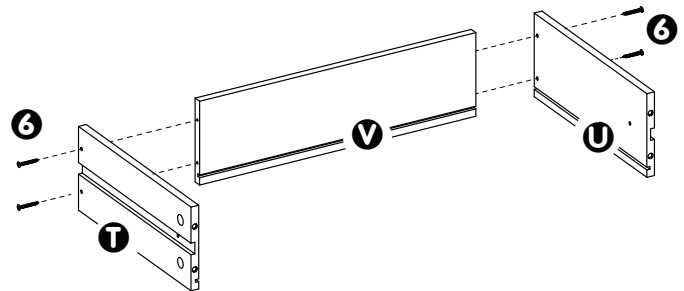
**12** Screw (2.5x10mm) x33



**15** With runner side facing out, attach the **Left Drawer Side** **T** to the **Drawer Back** **V** using 2 **Screws** **6**. Ensure that the narrow groove at the bottom runs continuously along the inside of both pieces.

Repeat to attach the **Right Drawer Side** **U** to the **Drawer Back**.

Hardware Required: **6** Screw (4x35mm) x4



**16** Insert **Cam Bolts** **1** into the indicated holes in the **Drawer Front** **S**. Use a Phillips-head screwdriver to tighten the threads fully into the panels.

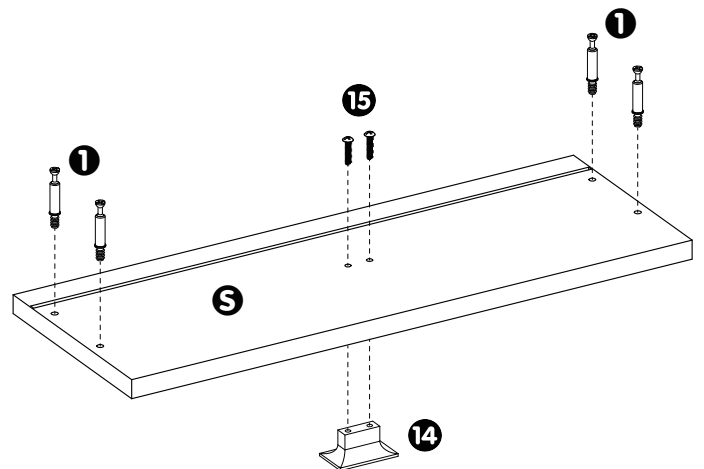
Attach the **Handle** **14** to the outside of the **Drawer Front** using 2 **Screw Bolts** **15** as shown.

Hardware Required:

**1** Cam Bolt x4

**14** Handle x1

**15** Screw Bolt (4x20mm) x2



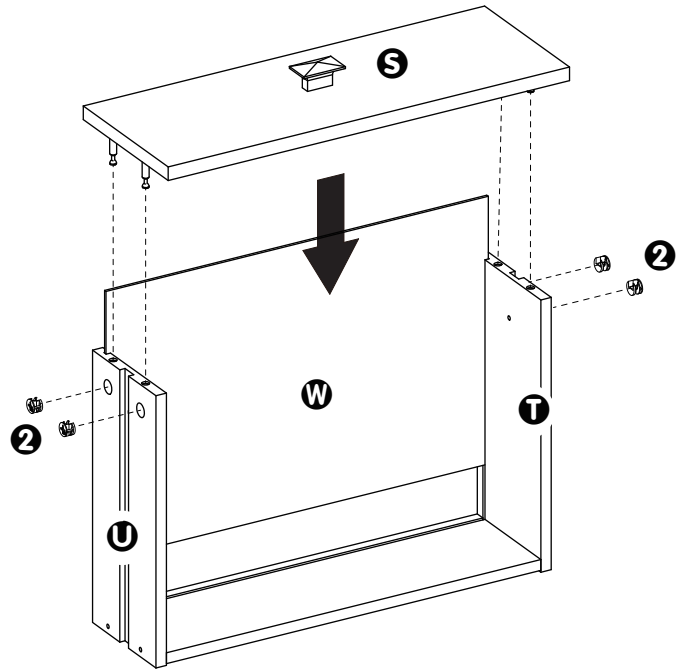
# ASSEMBLY

# BALKENE —HOME—

**17** Slide the **Drawer Bottom** **W** into place in the groove in the drawer panels.

Insert the **Cam Bolts** in the **Drawer Front** **S** into the front edges of the **Drawer Sides**. Secure by inserting a **Cam Nut** **2** into each of the adjoining holes on the outside of the **Drawer Sides**. Use a Phillips-head screwdriver to turn the **Cam Nuts** clockwise to secure the **Cam Bolts**.

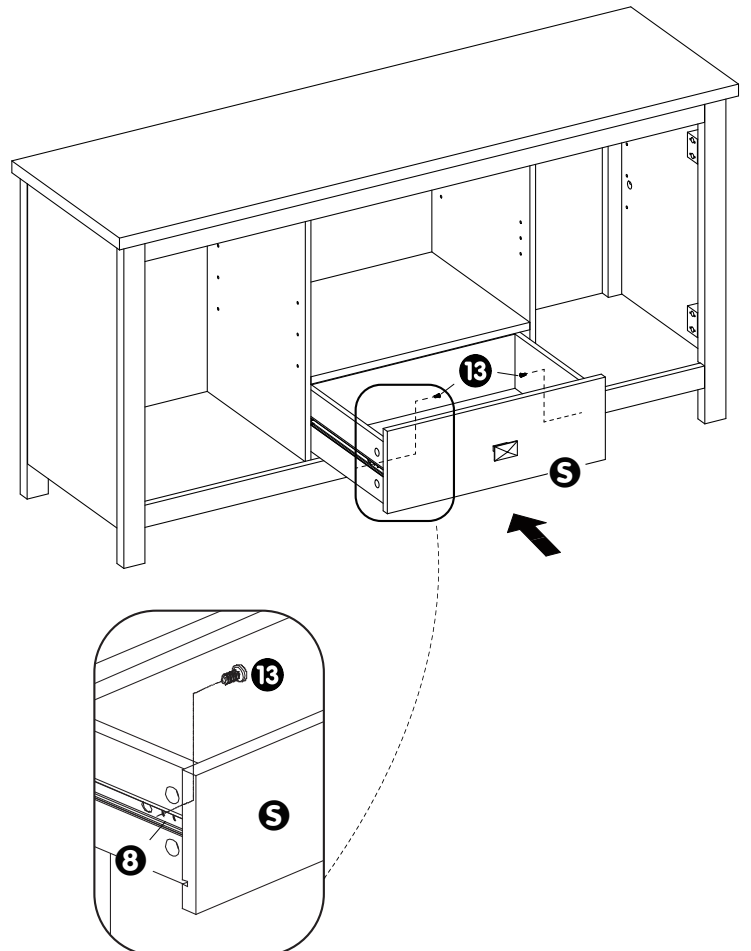
Hardware Required: **2** Cam Nut x 4



**18** Fully extend both **Drawer Runners** **8** and slide the drawer into place between them. Secure the **Runners** to the sides of the **Drawer** using 2 **Screw Bolts** **13**.

Hardware Required:

**13** Screw Bolt (4x10mm) x 2



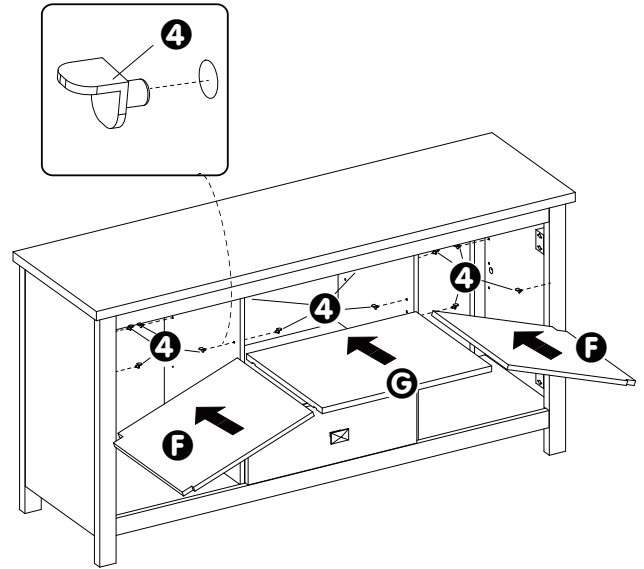
# ASSEMBLY

# BALKENE —HOME—

**19** Choose the desired height to install each shelf. Insert the peg of each **Shelf Bracket 4** into the appropriate holes in the interior of each compartment of the unit, with the horizontal tab rotated to the top.

Slide the **Interior Shelves F** into place in the left and right compartments. Slide the **Center Top Shelf G** into place in the center compartment.

Hardware Required: **4** Shelf Bracket x12

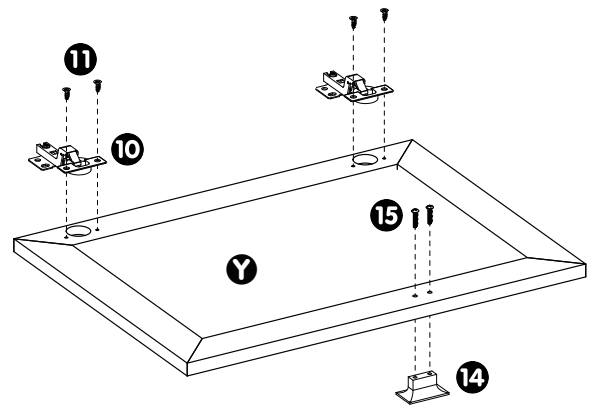
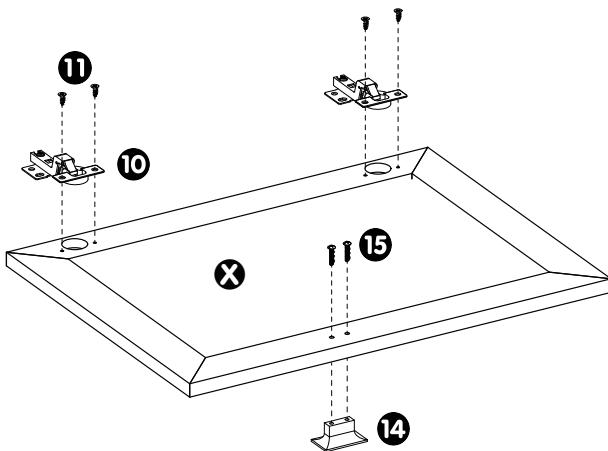


**20** Install the **Hinges 10**: insert the hinge cups into the round bores near the edge of each **Door X/Y**. Align the hinge eyelets with the 2 small holes drilled adjacent to each bore. Secure each **Hinge** by inserting 2 **Screws 11** through the eyelets and into the **Door**.

Attach the **Handles 14** to the outside of each **Door** using 2 **Screw Bolts 15** as shown.

Hardware Required:

- 10** Hinge x4
- 11** Screw (4x14mm) x8
- 14** Handle x2
- 15** Screw Bolt (4x20mm) x4



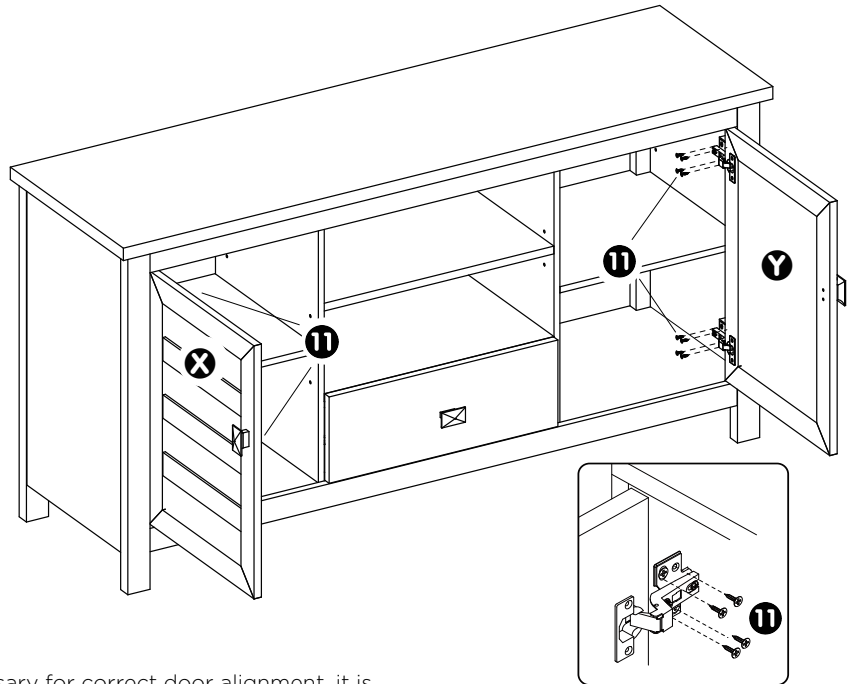
# ASSEMBLY

# BALKENE —HOME—

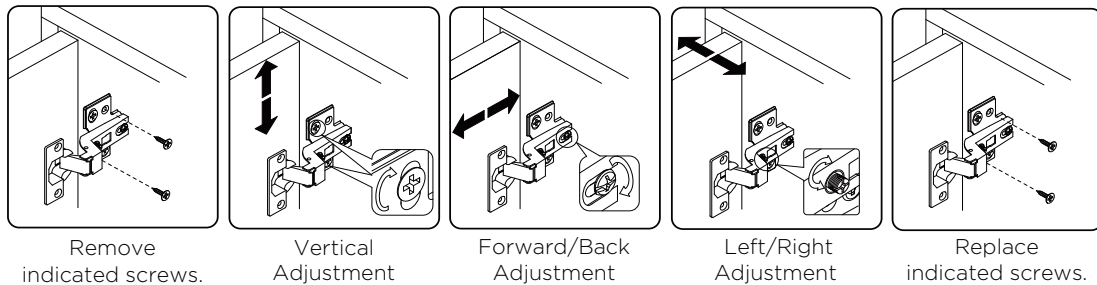
**21** Hang the Doors **X**/**Y** by attaching the Hinges **10** to the Hinge Mount Blocks **11** as shown. Fasten each Hinge using 4 Screws **11**.

Hardware Required:

- 11** Screw (4x14mm) x16



If necessary for correct door alignment, it is possible to adjust the hinges. See diagrams below:

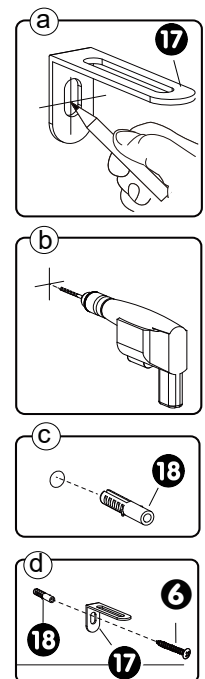
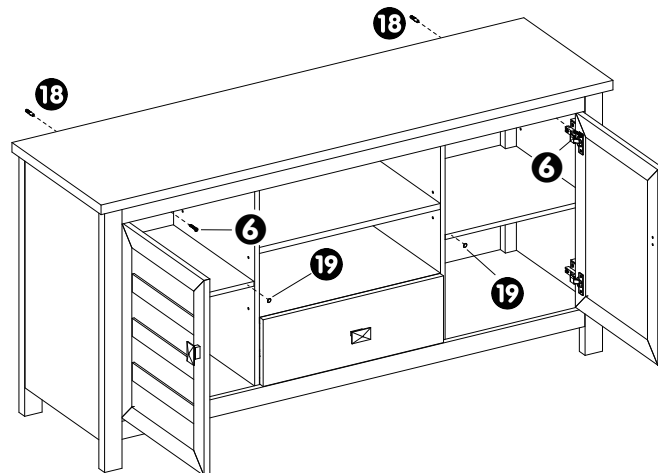


**22** Apply the Bumpers **19** to the front edge of each Interior Shelf **6** near the corner closest to the Dividers **10**/**11**. Press firmly to adhere.

Use the Anchor Brackets **17** to anchor the unit to the wall for safety. The included hardware is appropriate for drywall installation and requires the use of a drill. If needed, consult a qualified tradesperson or online resources for the appropriate steps to safely anchor this unit.

Hardware Required:

- 6** Screw (4x35mm) x2
- 18** Drywall Anchor x2
- 19** Bumper x2



# BALKENE —HOME—



## LIMITED WARRANTY

Customers in the Contiguous US

With proof of purchase from an authorized retailer, this product is warranted for a period of 1 year from original purchase date against defects in materials and workmanship under normal use. This warranty does NOT cover normal wear/weathering, exposure to water, freezing temperatures, oils, fluids, or chemicals OR use in a commercial context if the unit is not designated as a commercial model. At Well Traveled Living's sole discretion, products under warranty will be repaired and/or replaced at no charge to the customer. Returns sent back to Well Traveled Living must be sent via prepaid freight in the original retail packaging.

For warranty service, contact Balkene Home/Well Traveled Living at the address, phone numbers or website and email listed in this owner's manual. Be sure to have your sales receipt, date of purchase and catalogue/model numbers available when calling. All warranty service will be coordinated by Well Traveled Living's Amelia Island, Florida service center. This warranty is extended only to the original owner. Proof of purchase will be required before warranty service is rendered. The sales receipt is the only valid proof of purchase. This warranty only covers failures due to defects in materials or workmanship which occur during normal use. Failures and/or damage which result from accident, negligence, misuse, abuse, neglect, mishandling, alteration or modification, failure to maintain, improper assembly or maintenance, service by unauthorized agency or use of unauthorized components or damage that is attributable to acts of God are NOT covered.

This limited warranty gives you specific legal rights and you may also have other rights which vary from jurisdiction to jurisdiction. The provisions of the United Nations Convention on Contracts for the Sales of Goods shall not apply to this limited warranty or the sale of products covered by this limited warranty.

- THERE ARE NO EXPRESS WARRANTIES EXCEPT AS LISTED.
- PURCHASER ASSUMES ALL RISKS IN THE ASSEMBLY AND OPERATION OF THIS UNIT.
- FAILURE TO FOLLOW WARNINGS AND OPERATIONAL INSTRUCTIONS CONTAINED IN THIS MANUAL CAN RESULT IN SEVERE PROPERTY DAMAGE AND/OR PERSONAL INJURY.
- IN NO EVENT WILL WELL TRAVELED LIVING, OR ITS DIRECTORS, OFFICERS OR AGENTS BE LIABLE TO THE PURCHASER OR ANY THIRD PARTY, WHETHER IN CONTRACT, IN TORT, OR ON ANY OTHER BASIS, FOR ANY INDIRECT, SPECIAL, PUNITIVE, EXEMPLARY, CONSEQUENTIAL, OR INCIDENTAL LOSS, COST, OR DAMAGE ARISING OUT OF OR IN CONNECTION WITH THE SALE, MAINTENANCE, USE, OR INABILITY TO USE THE PRODUCT, EVEN IF WELL TRAVELED LIVING OR ITS DIRECTORS, OFFICERS OR AGENTS HAVE BEEN ADVISED OF THE POSSIBILITY OF SUCH LOSSES, COSTS OR DAMAGES, OR IF SUCH LOSSES, COSTS, OR DAMAGES ARE FORESEEABLE. IN NO EVENT WILL WELL TRAVELED LIVING, OR ITS OFFICERS, DIRECTORS, OR AGENTS BE LIABLE FOR ANY DIRECT LOSSES, COSTS OR DAMAGES THAT EXCEED THE PURCHASE PRICE OF THE PRODUCT.
- SOME JURISDICTIONS DO NOT ALLOW THE EXCLUSION OR LIMITATION OF INCIDENTAL OR CONSEQUENTIAL DAMAGES, SO THE ABOVE LIMITATION OR EXCLUSION MAY NOT APPLY TO THE PURCHASER.

## EXTEND YOUR WARRANTY

When you purchase a Fire Sense or Balkene Home product from any authorized retailer, you'll have peace of mind in knowing that it comes with a one-year warranty. Extend your warranty for *an additional year* when you review your item at [balkenehome.com](http://balkenehome.com) within 365 days of purchase.



### Important Notice

Do NOT return to place of purchase—for customer service and warranty issues:

Call toll-free  
Email  
Live chat

**(866) 985-7877**  
**[cservice@welltraveled.net](mailto:cservice@welltraveled.net)**  
**[balkenehome.com](http://balkenehome.com)**

9 am – 9 pm, EST

9 am – 6 pm, EST, Mon – Fri

Distributed by:

Well Traveled Living  
716 S 8th Street, Amelia Island, FL 32034  
[balkenehome.com](http://balkenehome.com)  
[cservice@welltraveled.net](mailto:cservice@welltraveled.net)  
(866) 985-7877