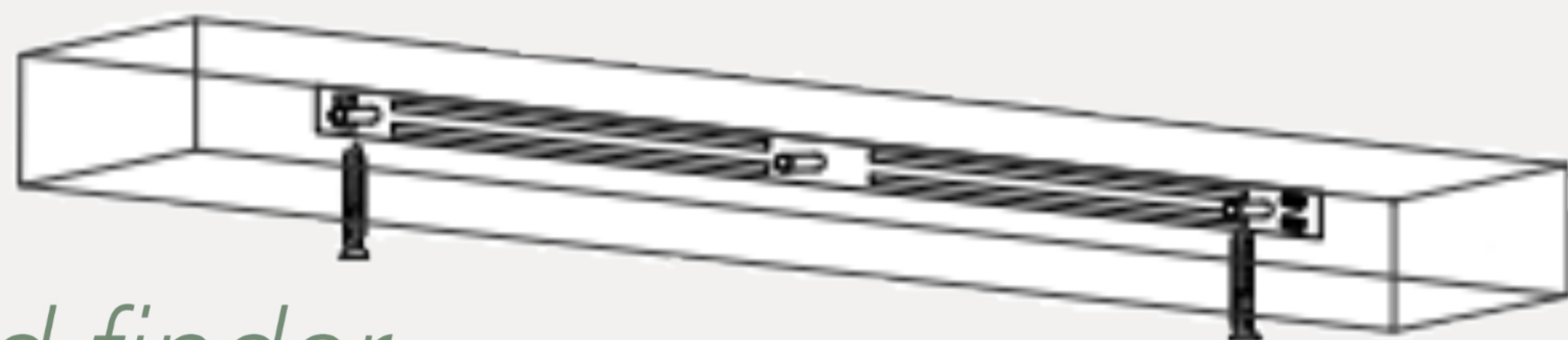


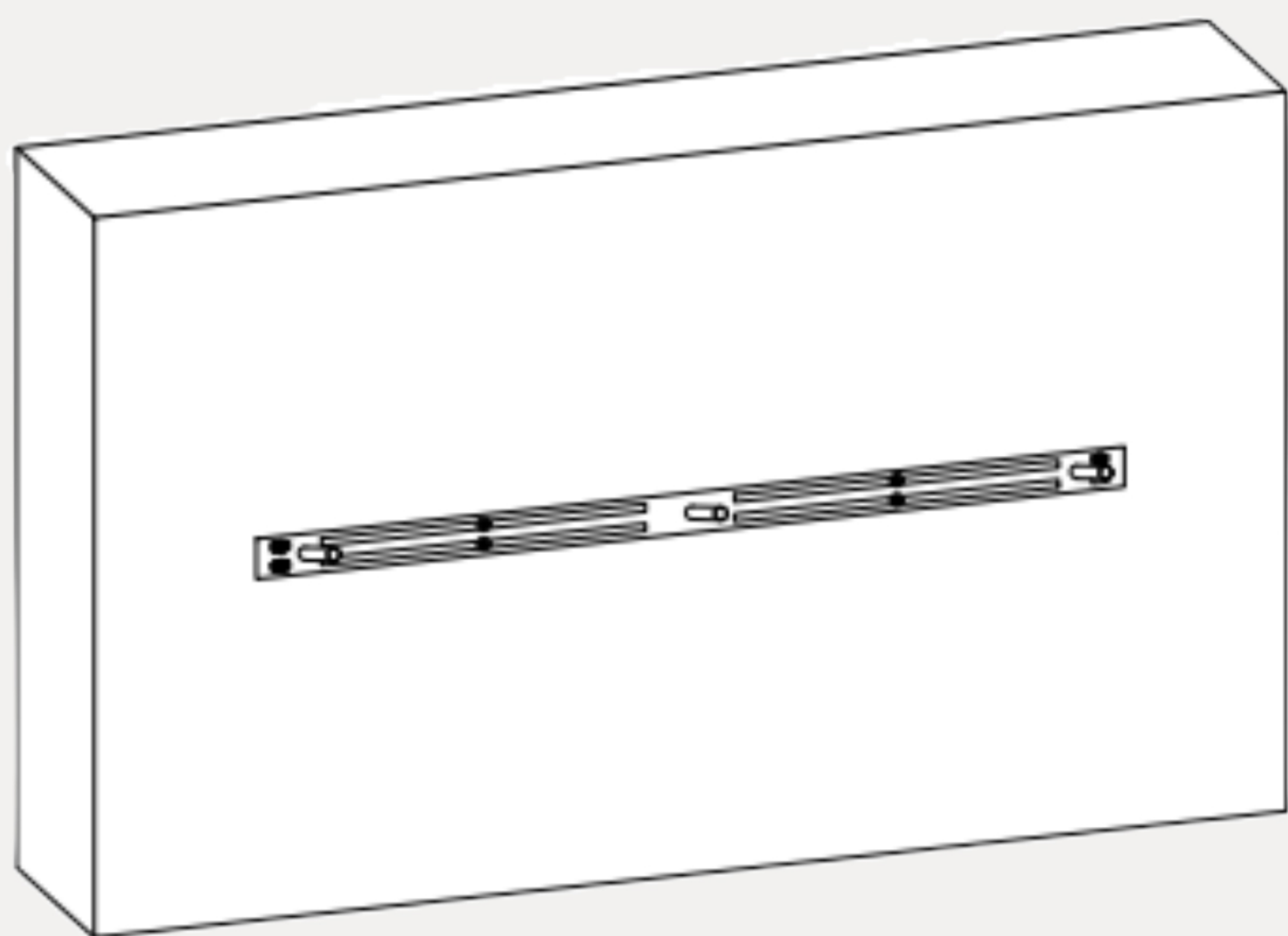


Step 1: Remove set screws from the shelf/mantel and remove the metal bracket from shelf.

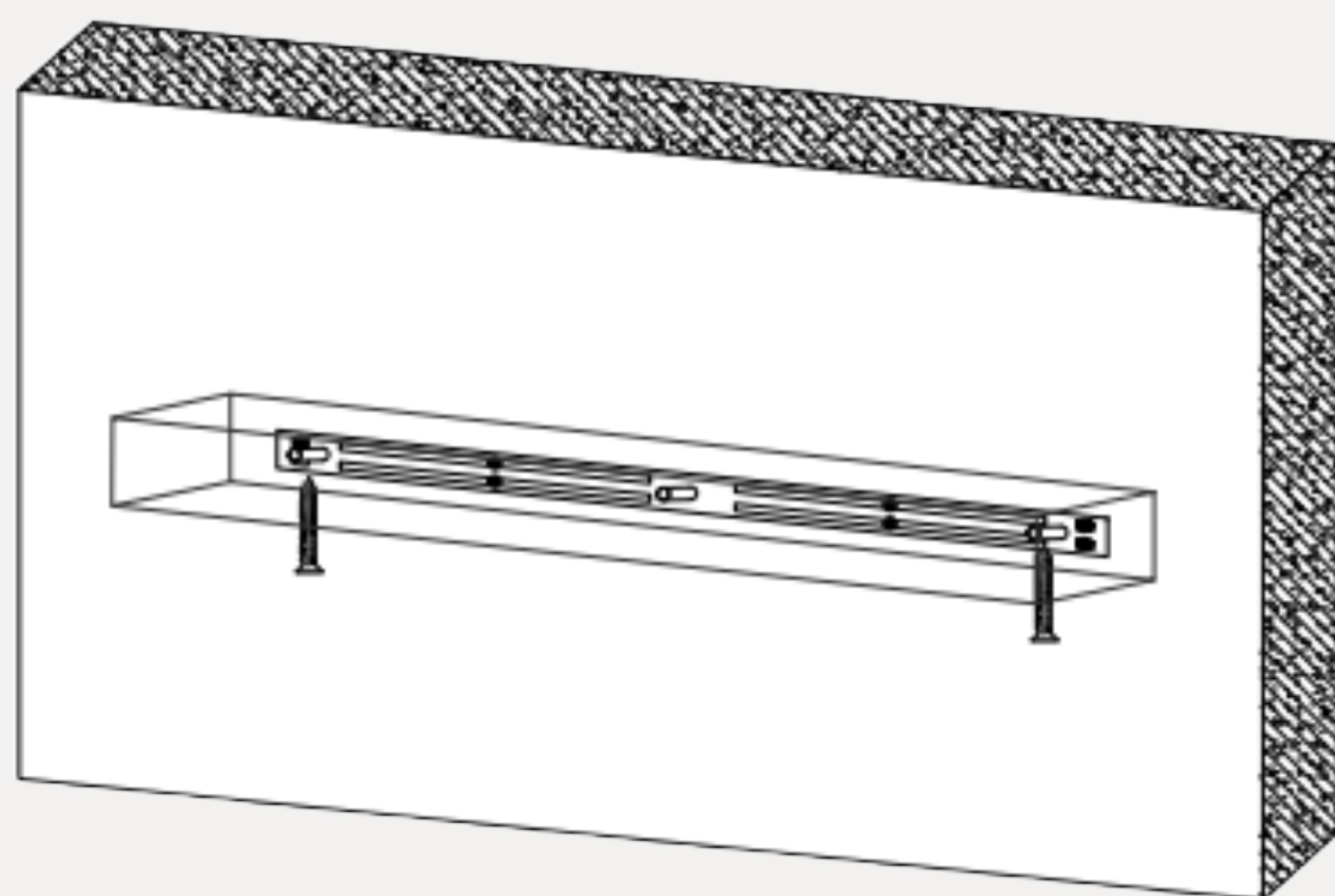


Step 2: Locate studs using stud finder (stud installation is recommended).

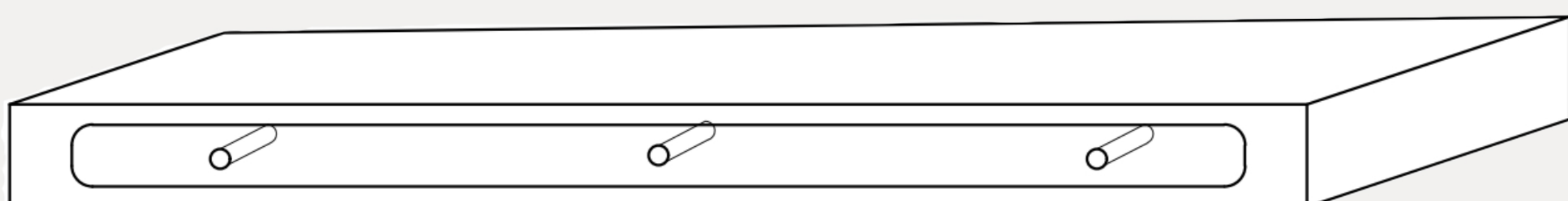
Step 3: Attach the T-Shaped Metal Bracket to the wall using long screws. Use a level to level the bracket.



Step 4: Place the shelf/mantel onto the T-Shaped Bracket.



Step 5: Place the shelf/mantel onto the T-Bracket and reinstall set screws to ensure shelf cannot slide off bracket. (Set screws can be arranged to be on top or bottom of the shelf, arrange the layout in a way that works best for your application!)



If you have any questions please email info@dogberrycollections.com. www.dogberrycollections.com