



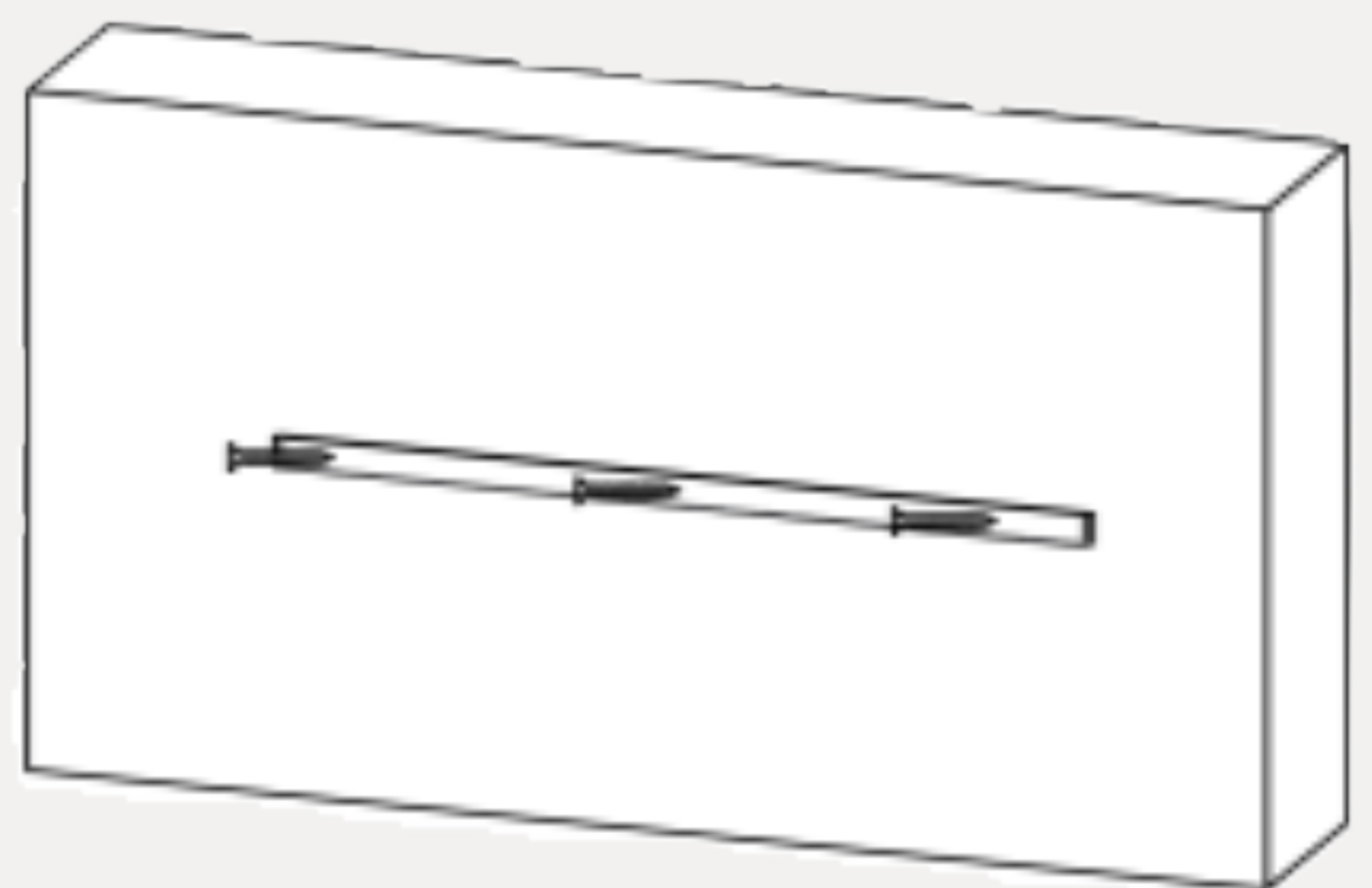
Step 1: Screw out the hanging board with the help of a drill.



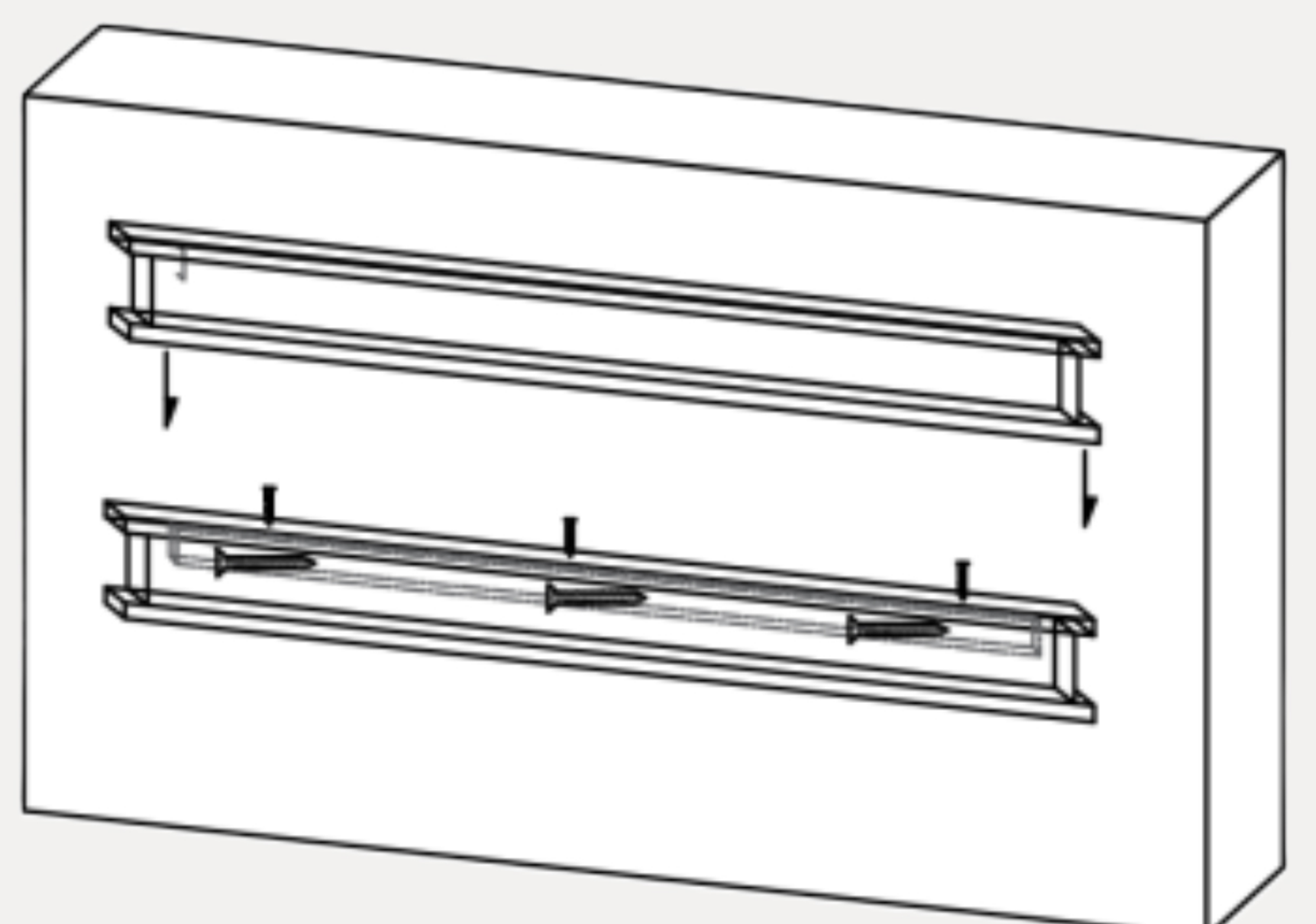
Step 2: Locate studs using stud finder. (stud installation is recommended).

Step 3: Using a drill bit, pre-drill holes through the mounting bracket and into the wall.

Step 3: Attach the hanging board to the wall using provided long screws. Make sure it is leveled.



Step 4: Place the mantel onto the hanging board and drive the provided short screws straight down through the pre-drilled holes in the top surface of the mantel shelf.



If you have any questions please email [info@dogberrycollections.com](mailto:info@dogberrycollections.com).  
[www.dogberrycollections.com](http://www.dogberrycollections.com)