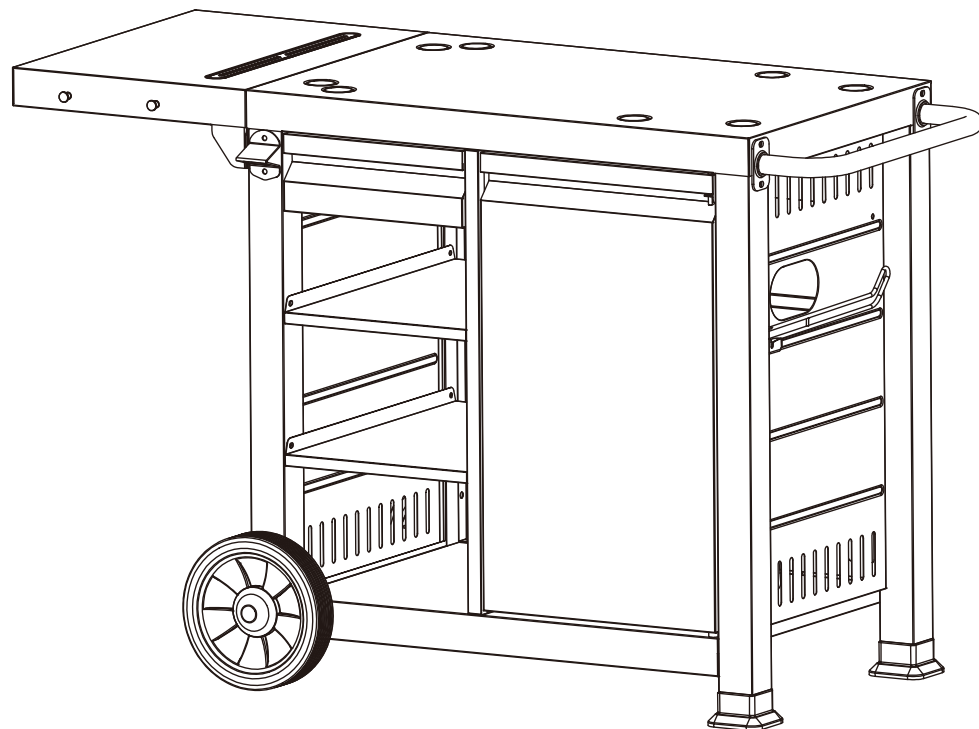


## Universal Cart for Potable Griddles

Model No. GGC2228MC  
(Manufacture Code: BGC2228MC)



PATENT PENDING

**Make it Sizzle™**

**GriddleOn™**  
razorgriddle.com



@razorgriddle



@razorgriddle

**WARNING**  
FOR YOUR SAFETY:  
DO NOT LEAVE THIS APPLIANCE UNATTENDED WHILE IN USE, ESPECIALLY COOKING THE FATTY MEAT AND CLOSE THE LID TOO LONG TIME.

**WARNING**  
FOR YOUR SAFETY:  
**For Outdoor Use Only!**  
(outside any enclosure)

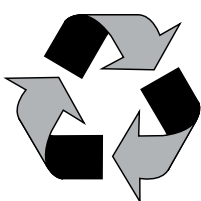
**IMPORTANT**  
After each use, always season your griddle per “Seasoning Griddle” section.

**Table of Contents**

Important Safeguards . . . . .	Page 2
Expanded View & Hardware . . . . .	3
Assembly Instructions . . . . .	4
Installing LP Gas Tank . . . . .	10
Operating Instructions . . . . .	11
Cleaning and Care . . . . .	11
Product Registration . . . . .	11
Replacement Parts . . . . .	11
Limited Warranty . . . . .	11

THIS INSTRUCTION BOOKLET CONTAINS IMPORTANT SAFETY INFORMATION. PLEASE READ AND KEEP FOR FUTURE REFERENCE.

If you are assembling this unit for someone else, give this manual to them to read and save for future reference.



Made from 75% Bagasse  
(environmentally friendly sugar  
cane pulp by-product)

Manufactured in China for: RevoAce Inc. Limited  
Hong Kong, China • 1.800.694.0013 • service@revoace.com  
8:00 am to 4:00 pm central time, Monday to Friday.  
© RevoAce Inc. Limited  
Razor® is a registered trademark of Mr. Bar-B-Q Products LLC. Used with permission.  
GriddleOn™ is a trademark of Mr. Bar-B-Q Products LLC. Used with permission.  
Make it Sizzle™ is a trademark of Mr. Bar-B-Q Products LLC. Used with permission.

**▲ DANGER:** Failure to follow the dangers, warnings and cautions in this manual may result in serious bodily injury or death, or in a fire or an explosion causing damage to property.

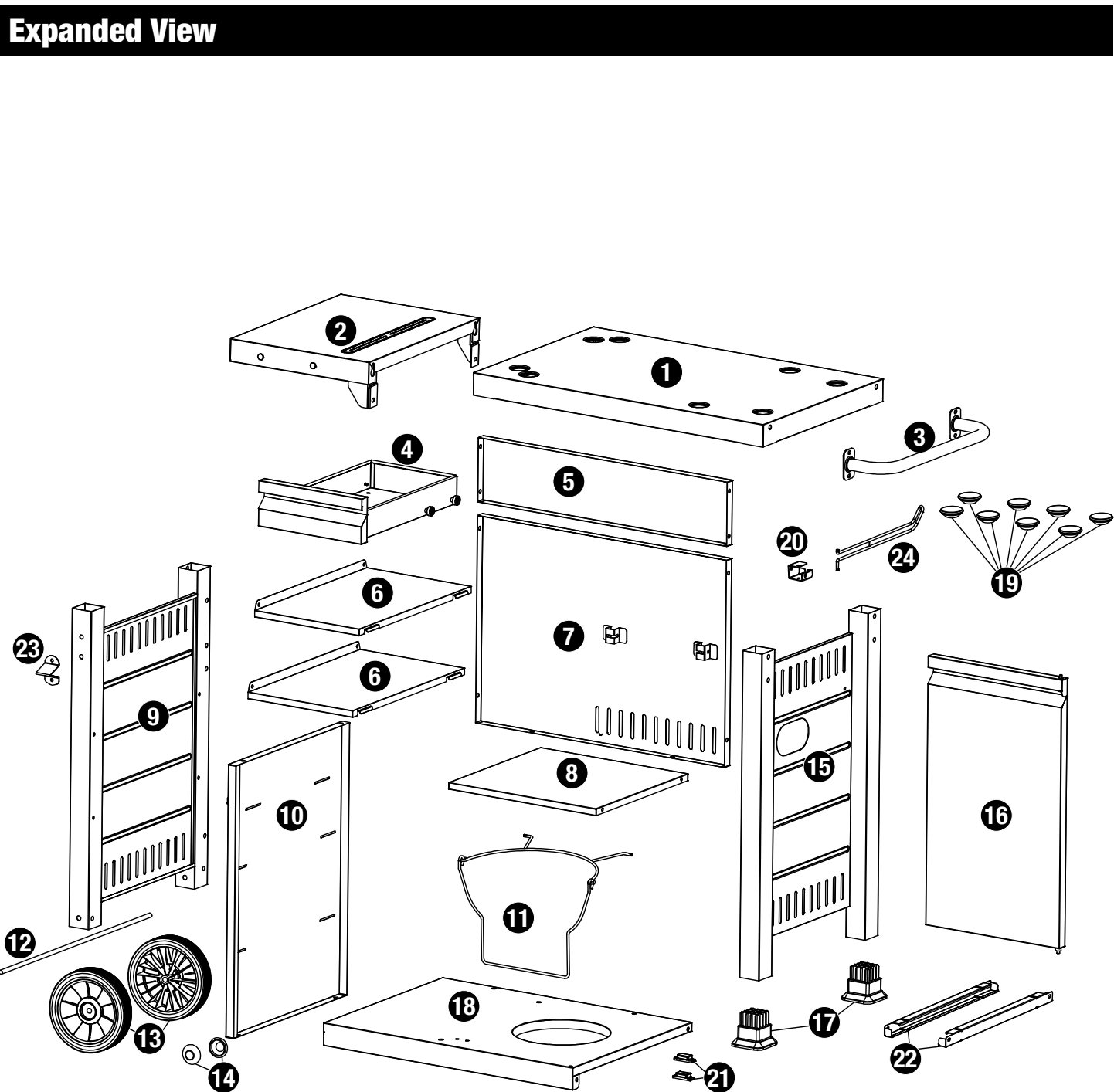
---

**▲ WARNINGS:**

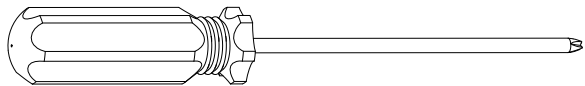
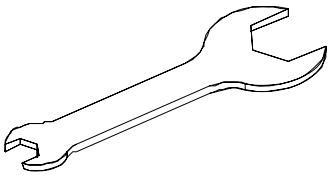
- ▲ For residential use only. This griddle cart is NOT for commercial use.**
- ▲ This griddle cart is safety certified for use in the United States and/or Canada only. Do NOT modify for use in any other location. Modification will result in a safety hazard and will void your warranty.**
- ▲ Inspect this griddle cart before each use.**
- ▲ Do NOT alter griddle cart in any manner. Any alteration will void your warranty.**
- ▲ Do NOT use the griddle cart unless it is COMPLETELY assembled and all parts are securely fastened and tightened.**
- ▲ Do NOT build this model of griddle cart in any built-in or slide-in construction. Ignoring this warning could cause a fire or an explosion that can damage property and cause serious bodily injury or death.**
- ▲ Exercise reasonable care when operating your griddle cart.**
- ▲ Place the griddle cart on an outdoor stable level surface before placing the oven & grill on the cart.**
- ▲ Never set up the griddle cart on a sloping surface.**
- ▲ The griddle cart is meant for the use of the grill only. Do NOT attempt to attach any other products or appliances to the griddle cart.**
- ▲ Remove the griddle from the griddle cart before placing the griddle cart in a vehicle trunk, station wagon, mini-van, sport utility vehicle (SUV), recreational vehicle (RV), or any storage area.**
- ▲ NEVER use the griddle cart as a step stool or ladder or climb on the griddle cart.**
- ▲ Do NOT use the griddle cart or place the griddle on the griddle cart if any parts are missing or damaged.**
- ▲ This griddle cart should be thoroughly cleaned and inspected on a regular basis.**
- ▲ Clean and inspect before each use of the griddle cart. If there is evidence of abrasion, wear, cuts or breaks, fix or replace prior to operation.**
- ▲ Use only RevoAce Inc. Limited. factory-authorized parts. The use of any part that is not factory-authorized can be dangerous and will void your warranty.**
- ▲ Do NOT operate griddle cart without reading “Operating Instructions” in this manual.**
- ▲ Do NOT attempt to move griddle when in use. Allow the griddle cart to cool before moving or storing.**
- ▲ Always place your griddle cart on a hard, non-combustible, level surface. An asphalt or blacktop surface may not be acceptable for this purpose.**
- ▲ Use protective gloves when assembling this product.**
- ▲ Do NOT force parts together as this can result in personal injury or damage to the product.**
- ▲ Death, serious injury or damage to property may occur if the above is not followed exactly.**

Parts List		
1	Cart Table	G2228-100
2	Left Side Shelf	G2228-110
3	Side Cart Handle	G2228-120
4	Drawer	G2228-130
5	Upper Back Panel	G2228-140
6	Left Table (2)	G2228-150
7	Back Panel	G2228-160
8	Right Table	G2228-170
9	Left Cart Frame	G2228-180
10	Center Panel	G2228-190
11	LP Gas Tank Retainer Wire	G1461-010
12	Axle	G2228-200
13	Wheel (2)	B0340-010
14	Wheel Cap (2)	B0340-020
15	Right Cart Frame	G2228-210
16	Door	G2228-220
17	Foot (2)	C1681-000
18	Bottom Panel	G2228-230
19	Spacer*(8)	G2228-240
20	Paper Towel Holder Support	G2228-260
21	Magnet (2)	B0303-010
22	Drawer Support (2)	G2228-270
23	Bottle Opener	G1932-11L
24	Paper Towel Holder	G2228-160

\* Pre-assembled



Hardware				
A	Screw	M6x15	Nickel Plated Phillips Truss Head	24 pcs
B	Nut	M4x12	Nickel Plated Phillips Truss Head	16 pcs
C	Washer	φ 6.5x13	Nickel Plated	4 pcs
D	Lock Washer	φ 6.5	Nickel Plated Phillips Truss Head	4 pcs
E	Screw	M6x15	Nickel Plated Hex Head	4 pcs
F	Nut	M10	Zinc Plated Hex	2 pcs
G	Cotter Pin	φ 1.4X38	Nickel Plated Phillips T russ Head	2 pcs
H	Screw	M6x15	Axial Truss Head	2 pcs

Tools Required for Assembly (Included)	
#2 Phillips Head Screwdriver	1 pc
	
M10-M6 Wrench	1 pc
	

## Assembly Instructions

# 1

### DO NOT RETURN TO PLACE OF PURCHASE.

For assistance, call **1.800.694.0013** toll-free. Please have your owner's manual and model number available for reference.

#### Assembly Tips:

1. Select an area where you will assemble this product. To protect components, choose a smooth surface that's free of cracks or openings.
2. Spread out all parts.
3. Tighten all hardware connections by hand first. Then, before completing each step, go back and fully tighten all hardware. Be careful not to over-tighten. That could damage surfaces or strip threads.
4. For best results, complete each step in the order presented.

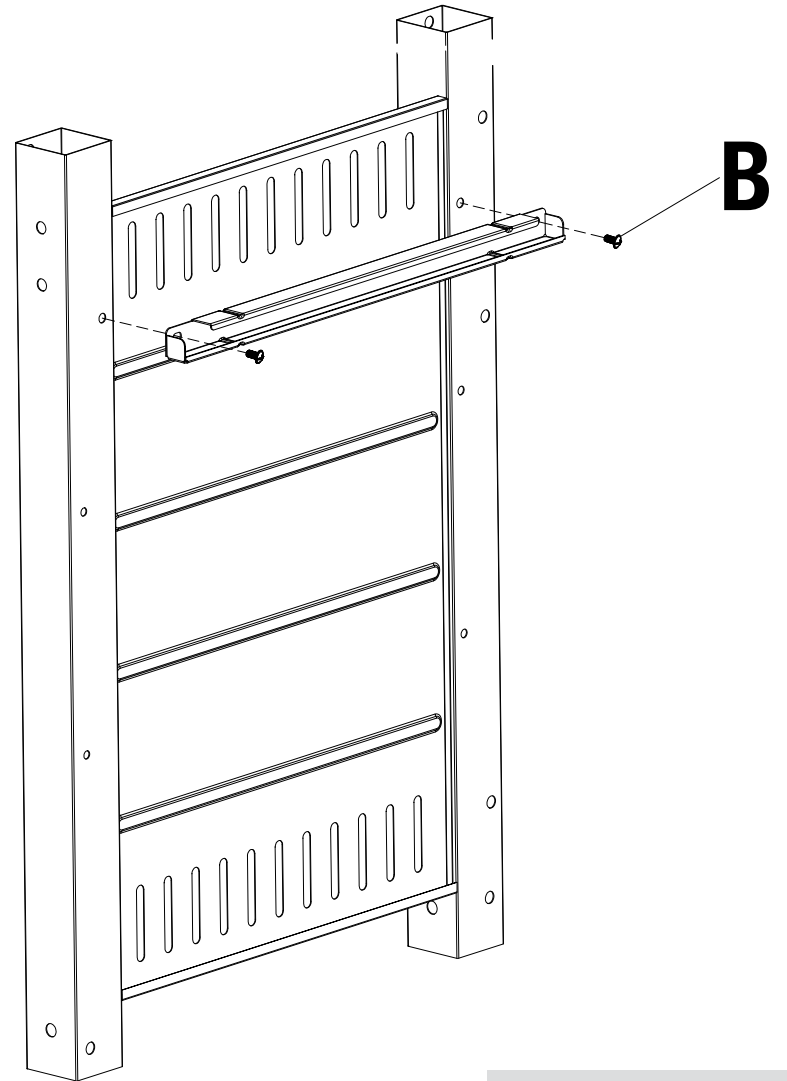
#### After assembly you will need:

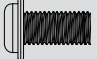
- (1) Leak Detection Solution (instructions on how to make solution are included in "Operating Instructions" section).
- (1) 14.1 oz or (1) 16.4 oz LP gas tank (not included).

Typical assembly is approximately 30 minutes.

# 2

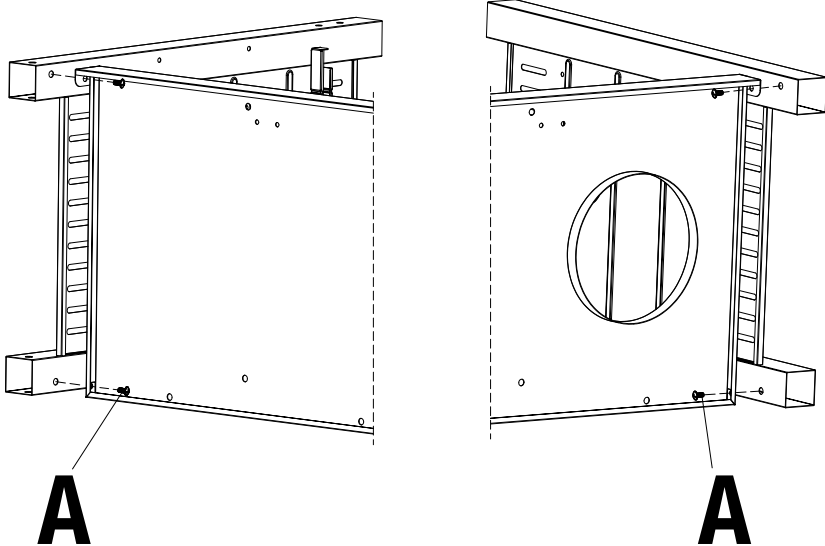
### Attach Drawer Support onto Left Cart Frame

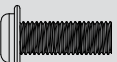


**B**  x 2

# 3

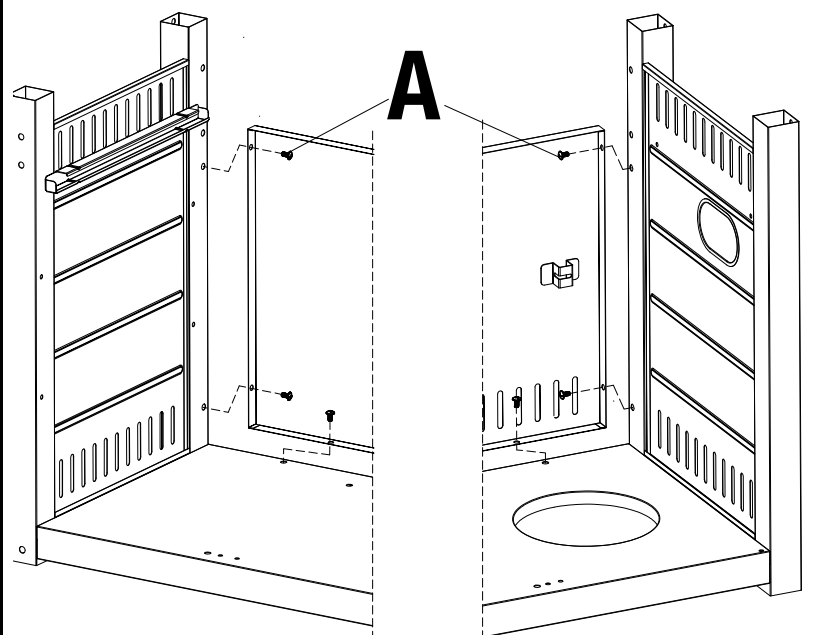
### Attach Bottom Panel

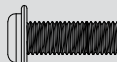


**A**  x 4

# 4

### Attach Lower Back Panel

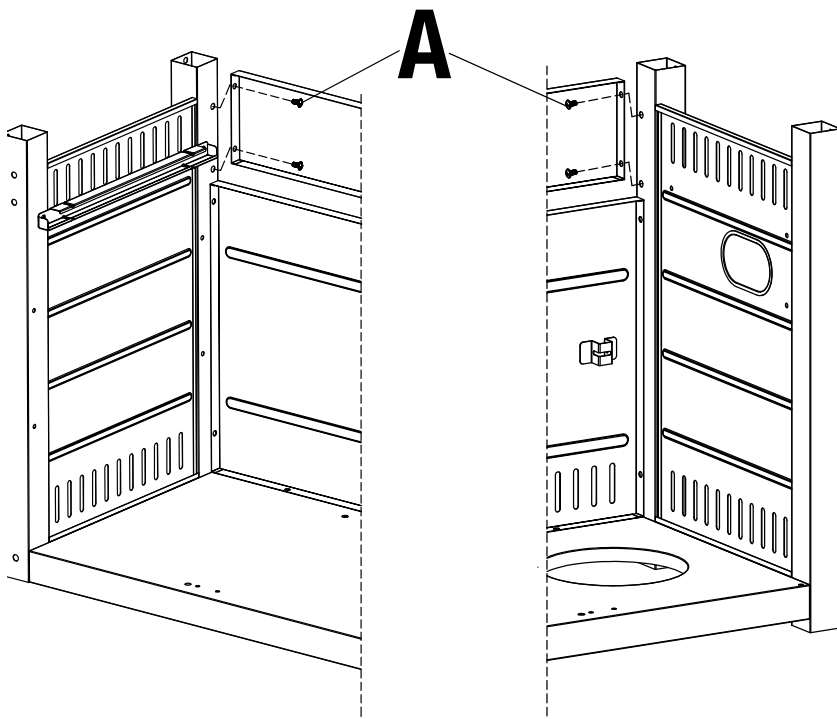



**A**  x 6

Assembly Instructions

5

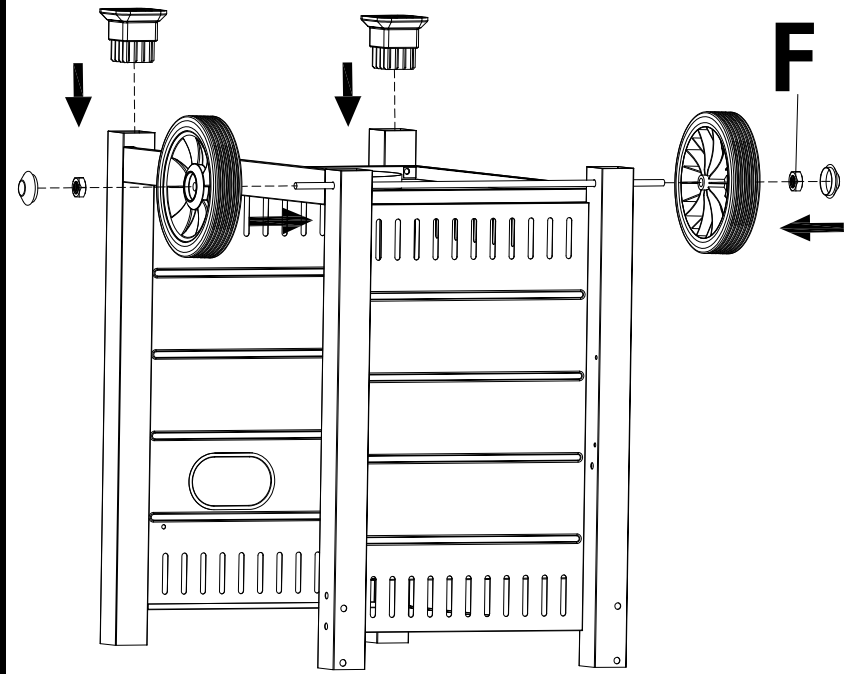
Attach Upper Back Panel



A  x4

6

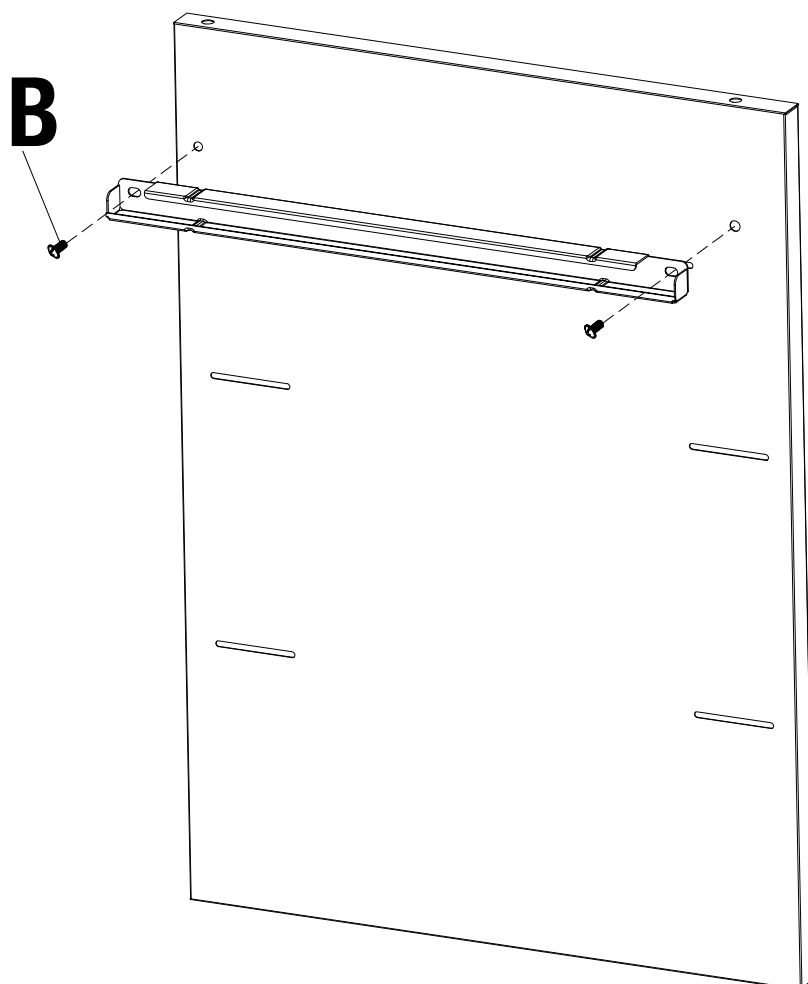
Attach Legs



F  x2

7

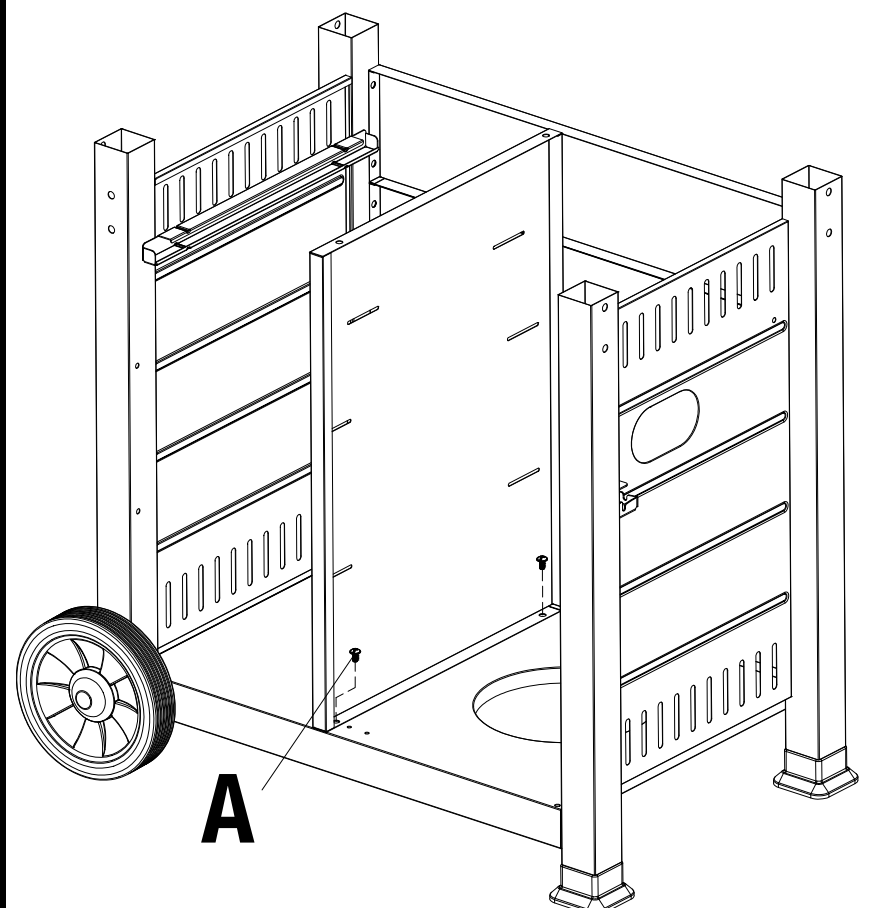
Attach Drawer Support onto Center Panel

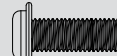


B  x2

8

Attach Center Panel



A  x2

### Assembly Instructions

**9-1** Attach Left Table-Lower

**1**

**2**

**B**

**B** x2

**9-2** Attach Left Table-Upper

**1**

**2**

**B**

**B** x2

**10** Attach Magnet

**B**

**B** x2

**11** Attach LP Gas Tank Retainer Wire

**1**

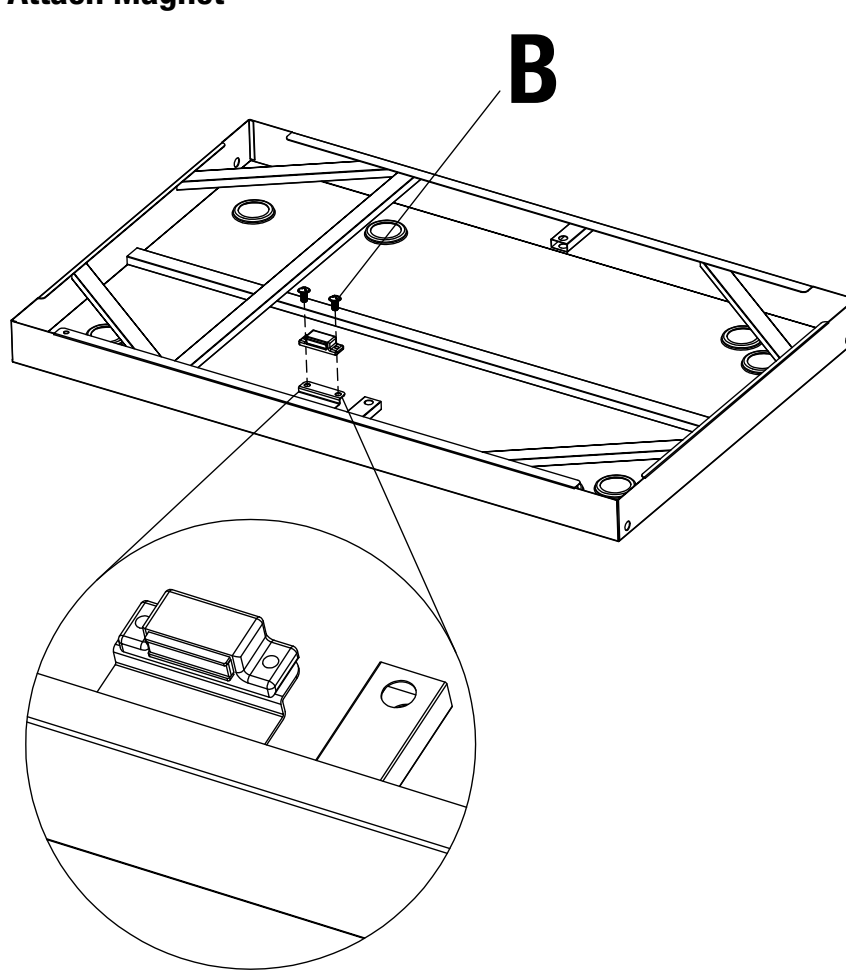
**2**

**G**

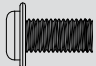
**G** x2

**Assembly Instructions**

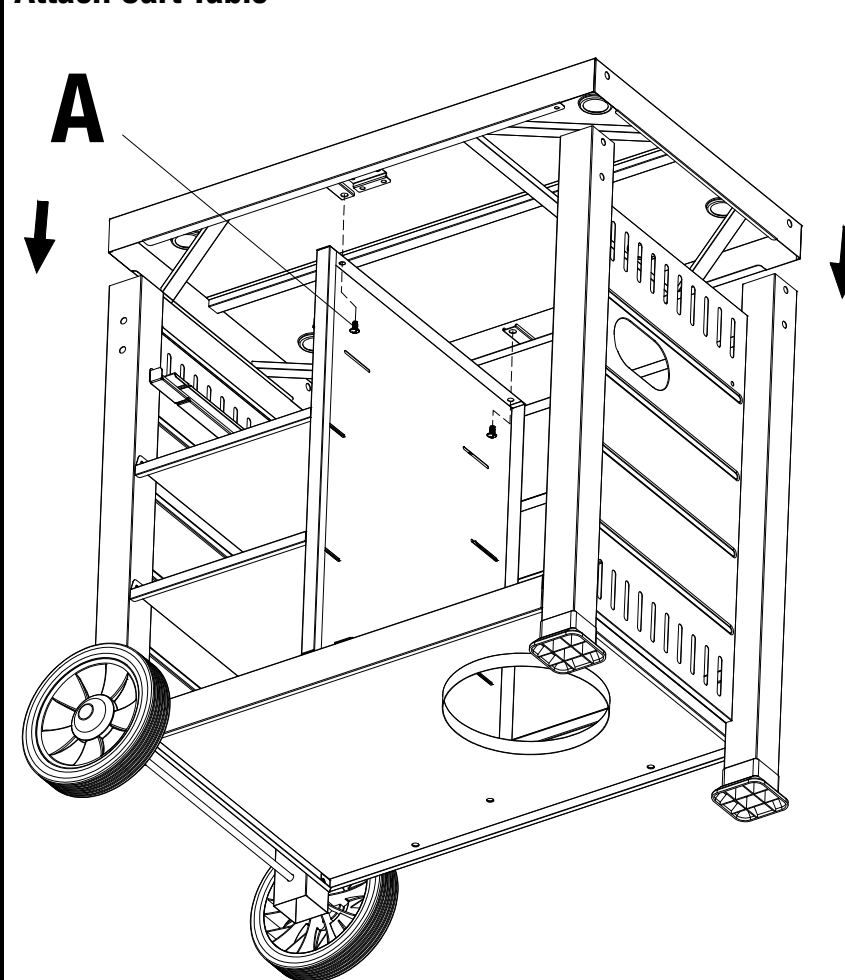
**12** Attach Magnet



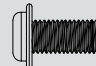
**B**

**B**  x2

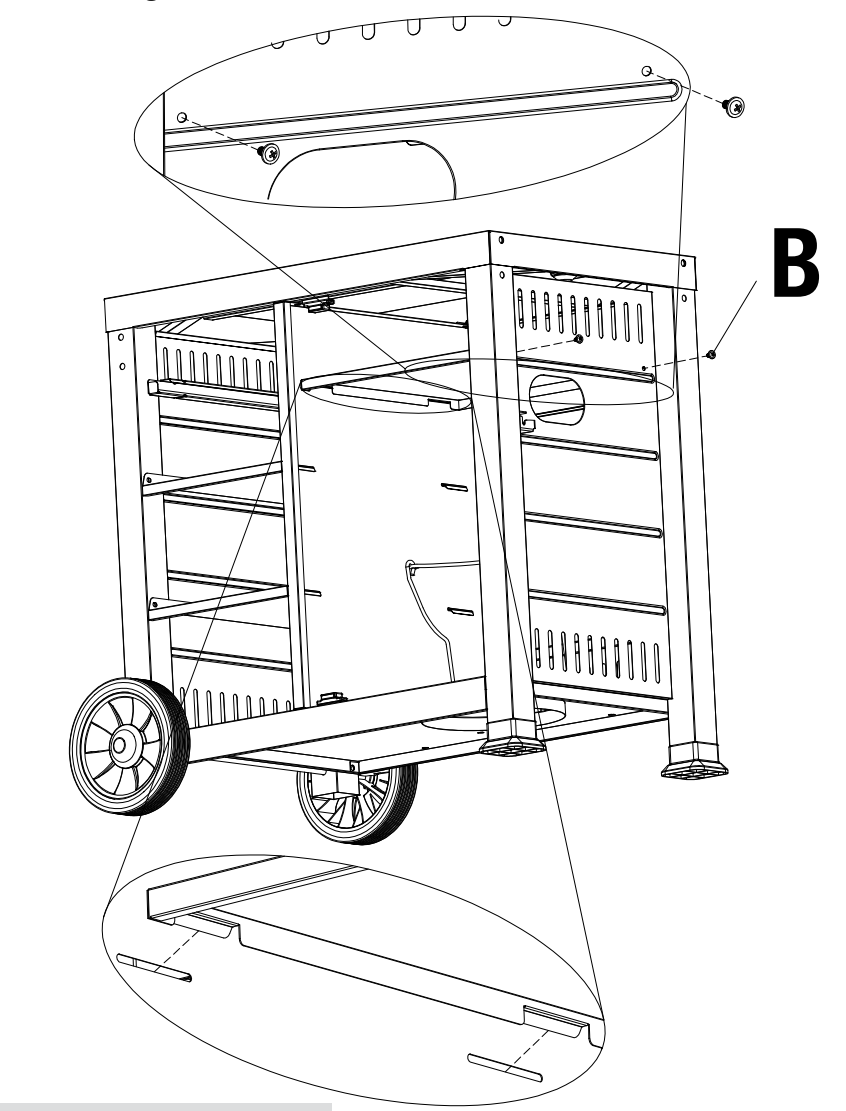
**13** Attach Cart Table



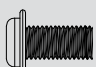
**A**

**A**  x2

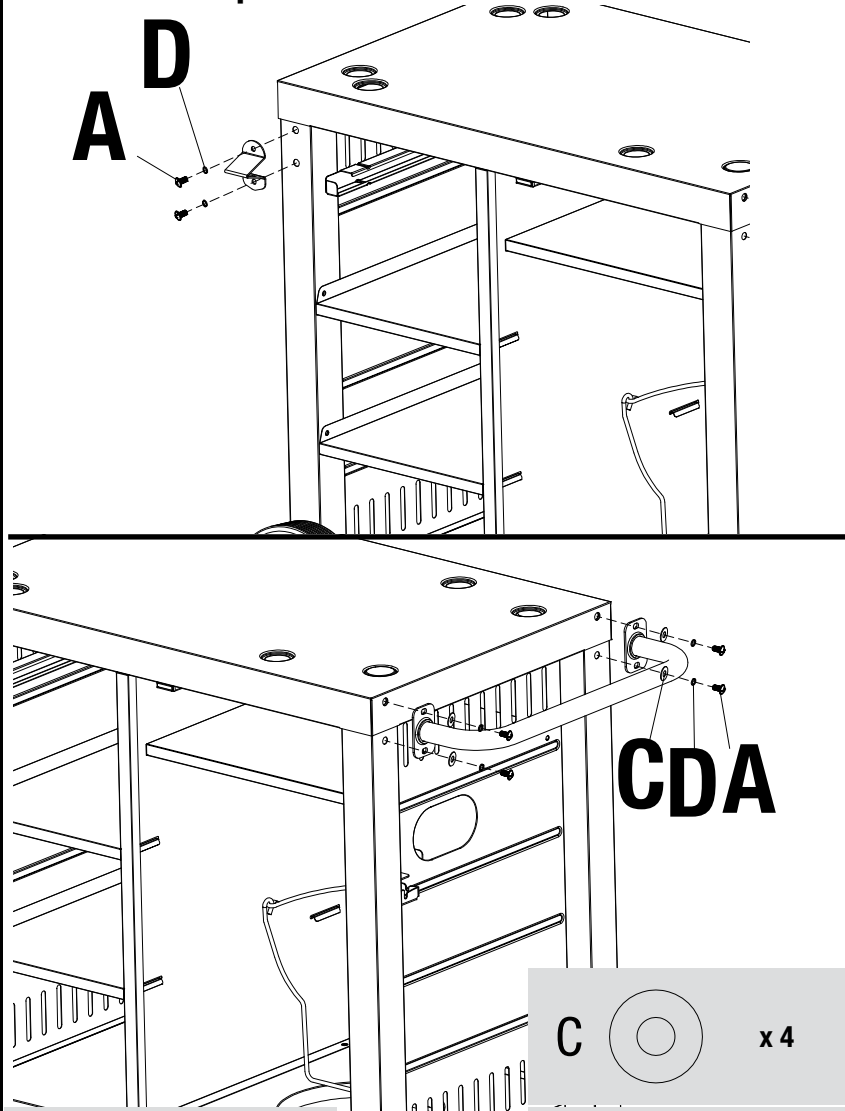
**14** Attach Right Table



**B**

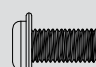
**B**  x2


**15** Attach Bottle Opener and Side Cart Handle




**A** **D**

**CDA**

**A**  x6

**C**  x4

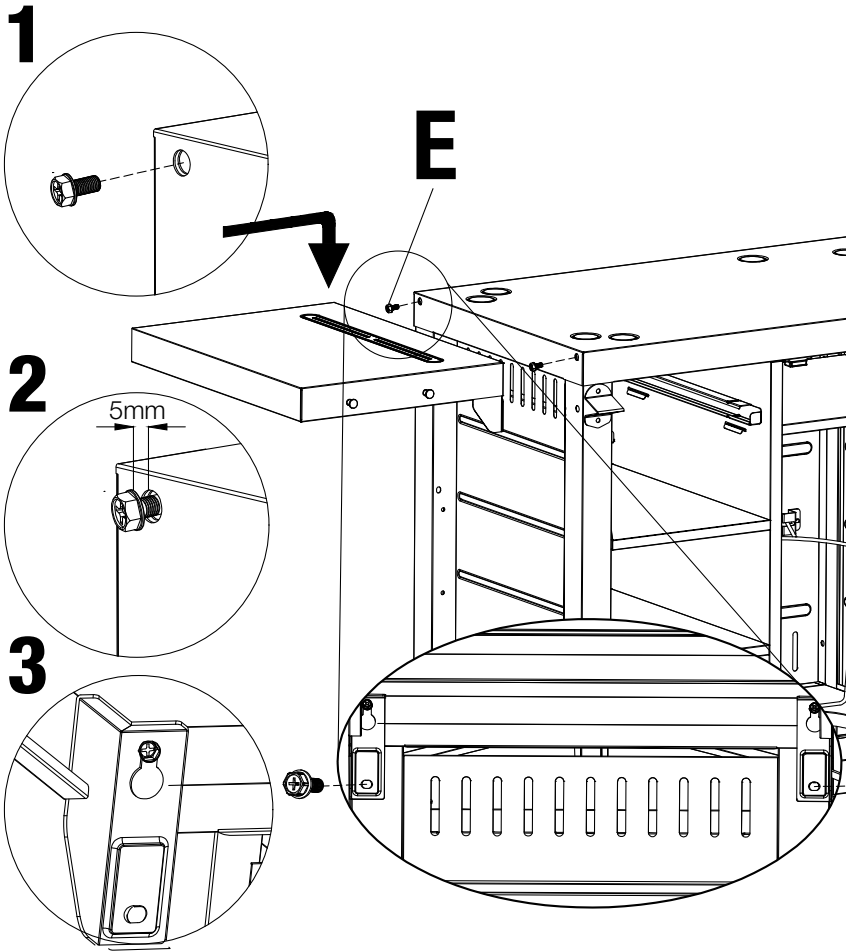
**D**  x4

## Assembly Instructions

### 16

#### Attach Left Side Shelf

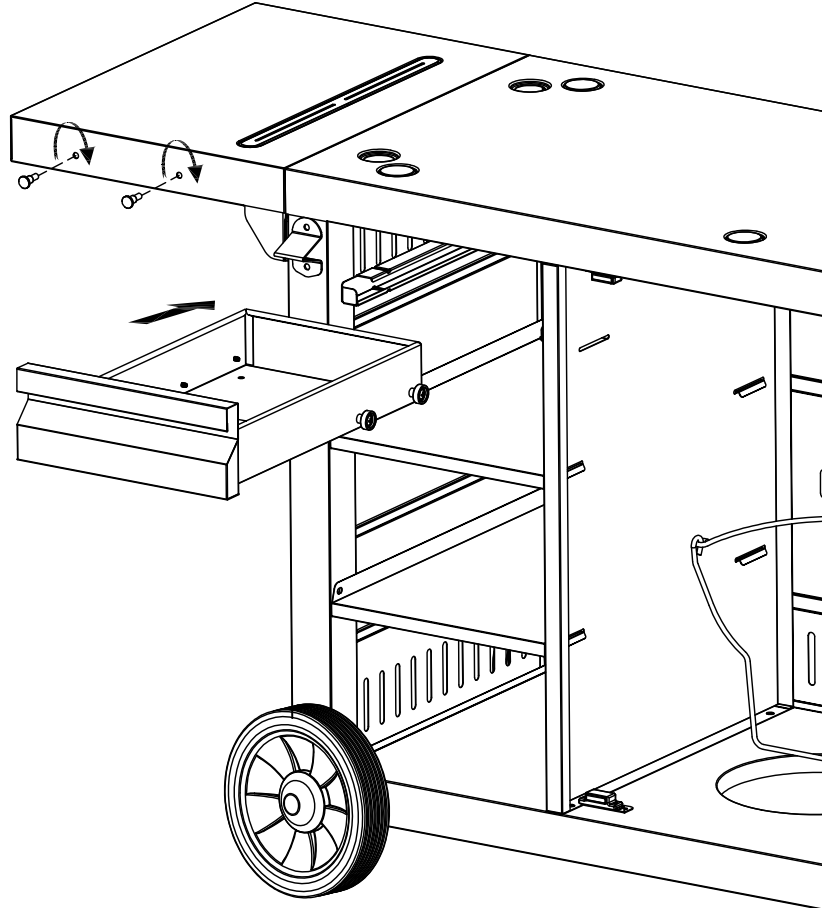
Note: Leave 5 mm of bolt threads exposed.

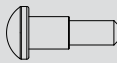


**E**  x 4

### 17

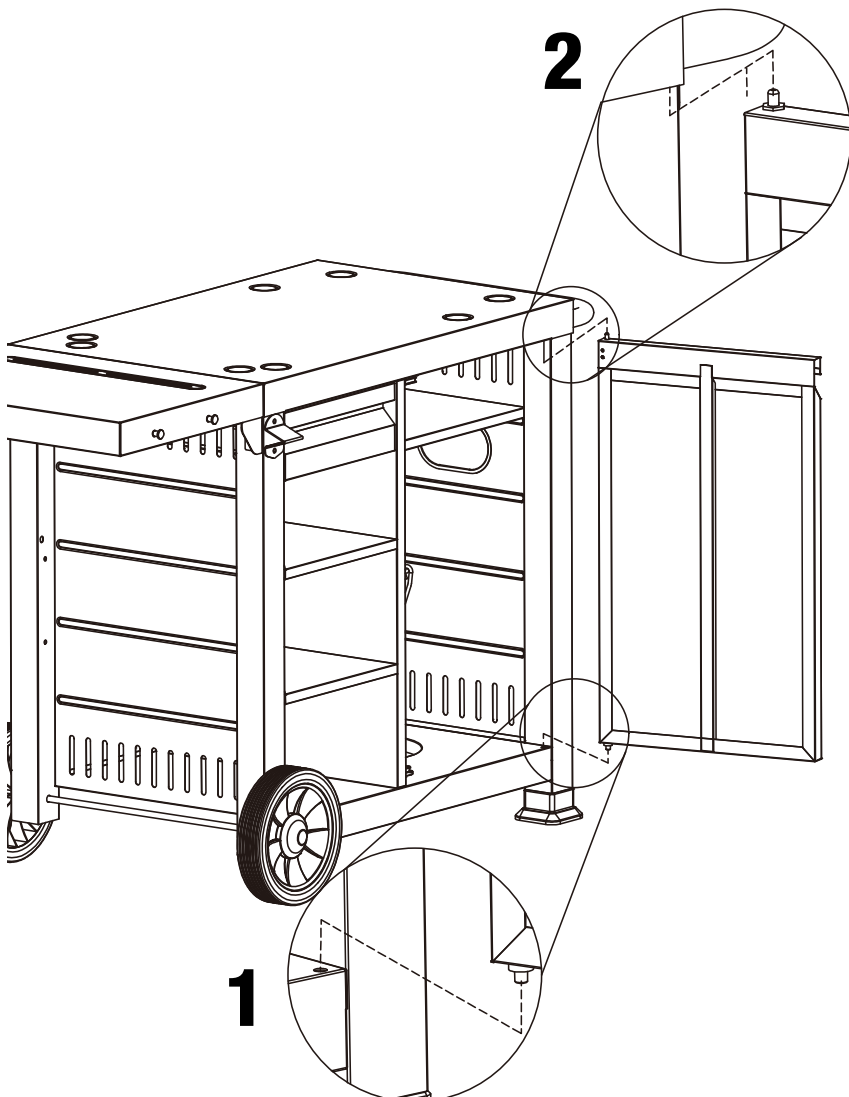
#### Attach Screws onto Left Side Shelf and Insert Drawer



**H**  x 2

### 18

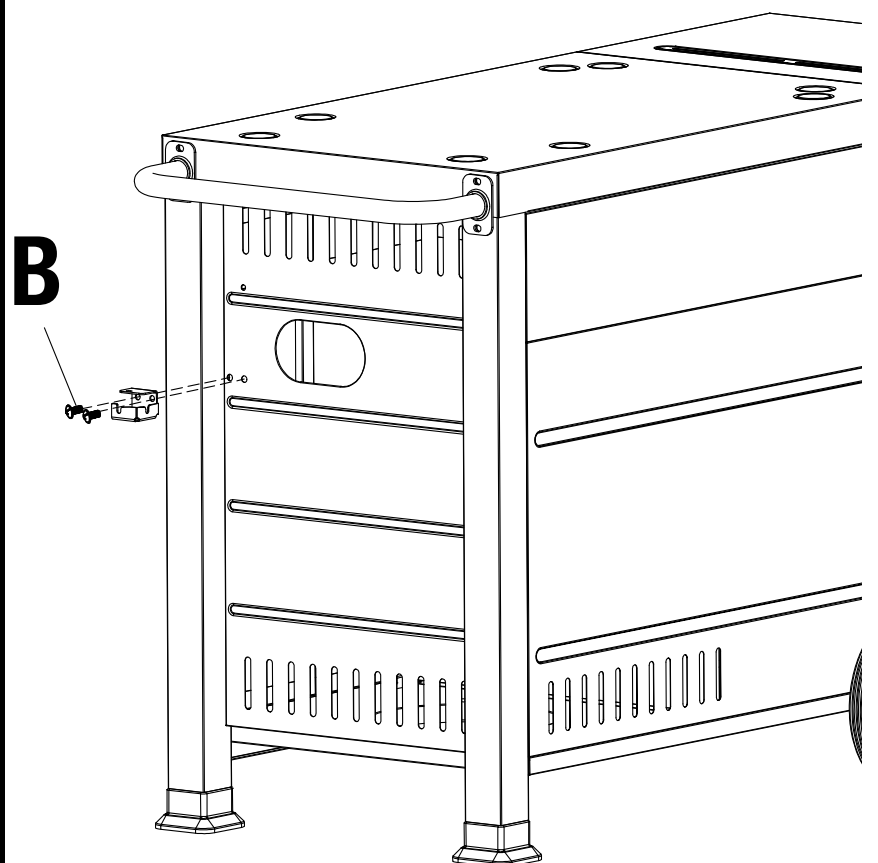
#### Attach Door

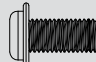


**1**

### 19

#### Attach Paper Towel Holder Support



**B**  x 2

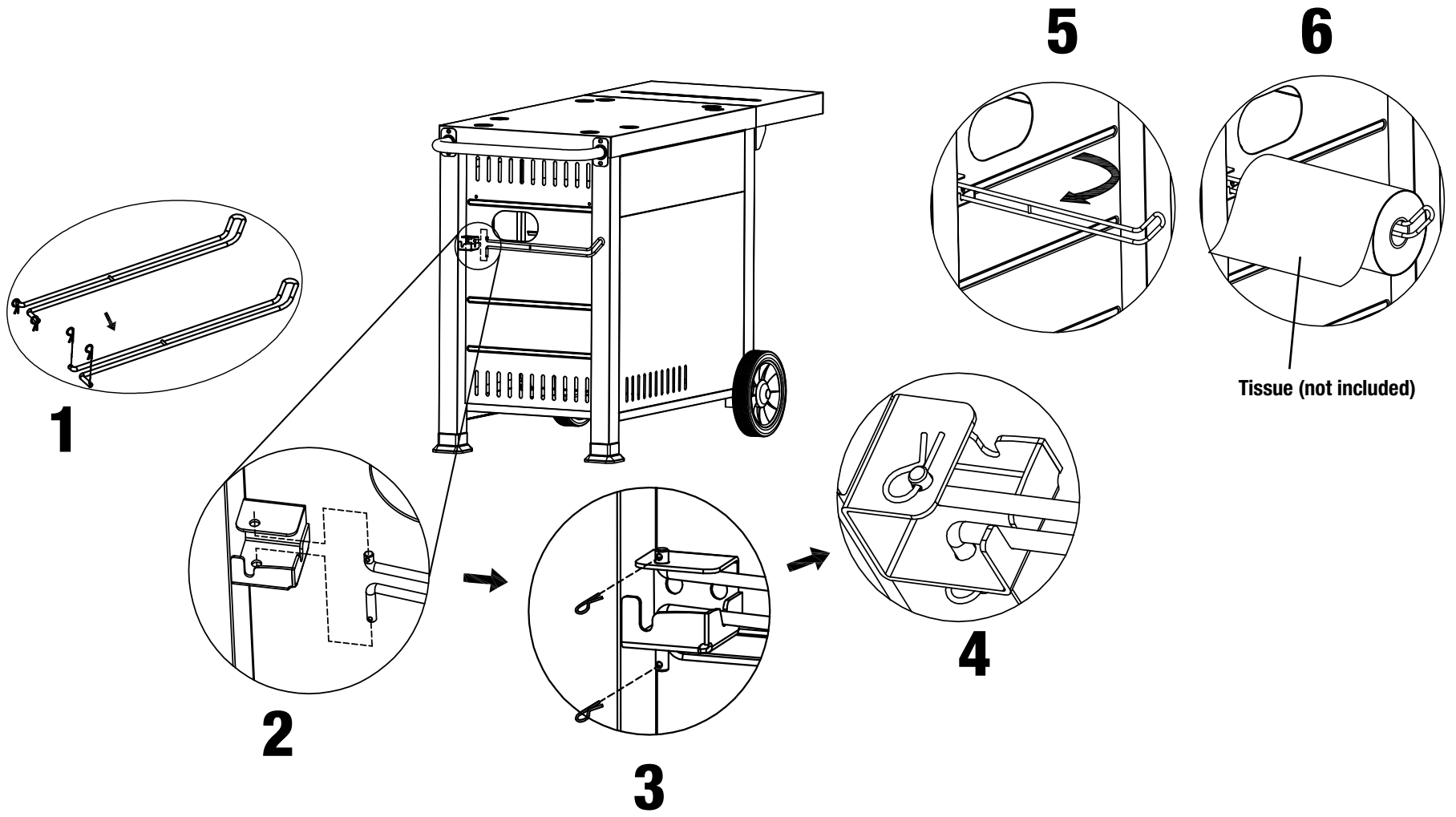


**Assembly Instructions**

**20**

**Attach Paper Towel Holder**

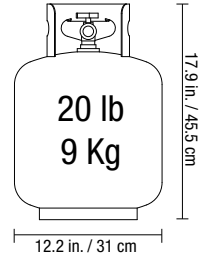
Note: Remove the cotter pins from the paper towel holder first and then attach the paper towel holder onto the paper towel holder support with the cotter pins.



### Installing LP Gas Tank

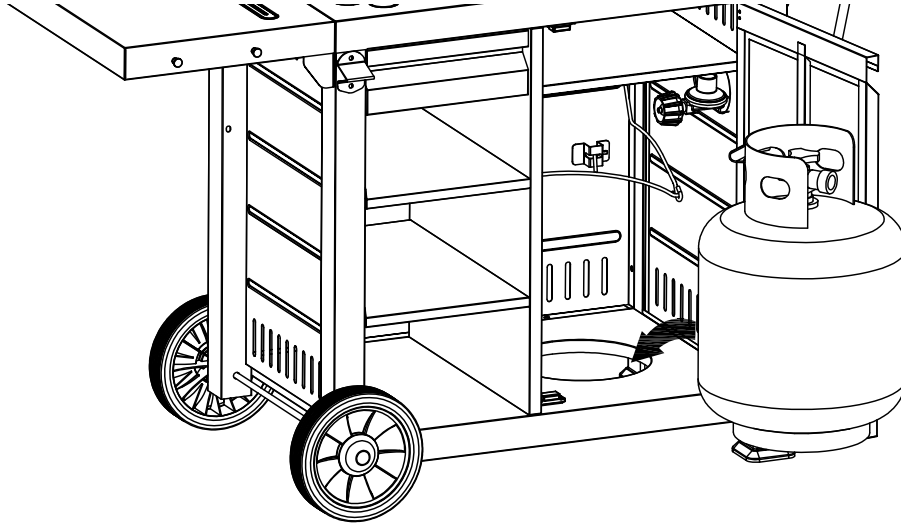
To operate, you will need one precision-filled standard barbecue grill LP gas tank with external valve threads.

- ▲ **CAUTION: LP gas tank must be properly disconnected and removed prior to moving this griddle.**
- ▲ **Caution: Always place your griddle on a hard, non-combustible, level surface. An asphalt or blacktop surface may not be acceptable for this purpose.**
- ▲ **Caution: Move gas hoses as far away as possible from hot surfaces and dripping hot grease.**
- ▲ **Caution: The gas hose should be arranged so that it will not be pulled on or tripped over.**

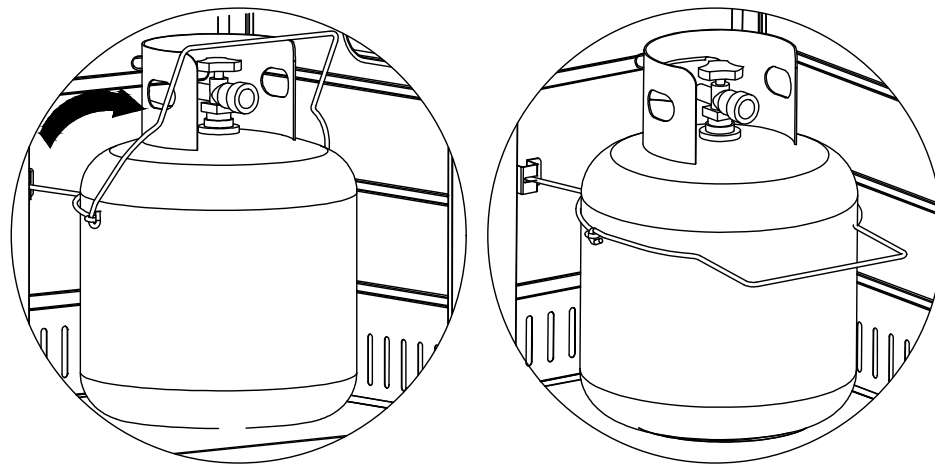


### Inserting LP Gas Tank

Place precision-filled LP gas tank upright into the notches in the right cart frame so the tank valve is facing the gas line connection.

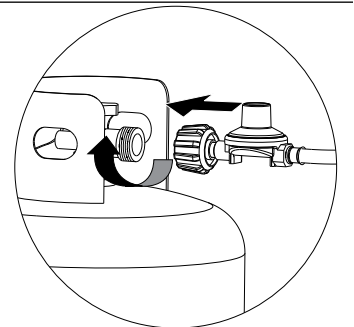


### Securing LP Gas Tank



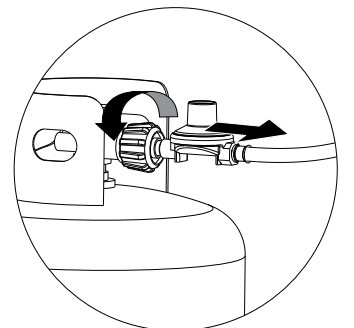
### Connecting LP Gas Tank

1. Before connecting, be sure there is no debris caught in the head of the LP gas tank, head of the regulator valve or in the head of the burner or burner ports..
2. Connect regulator/hose assembly to tank by turning knob clockwise until it stops.



### Disconnecting LP Gas Tank

1. Before disconnecting, make sure the LP gas tank valve is "CLOSED."
  2. Disconnect regulator/hose assembly from LP gas tank by turning knob counterclockwise until it is loose.
  3. Disconnect regulator/hose assembly from LP gas tank by turning knob counterclockwise until it is loose.
- ▲ **CAUTION: LP gas tank must be properly disconnected and removed prior to moving this griddle.**
  - 4. Place the protective cap cover on the LP tank and store the tank outdoors in a well ventilated area out of direct sunlight.



## Operating Instructions

Follow all instructions in the Portable LP Gas Griddle owner's manual.

## Cleaning and Care

Follow all instructions in the Portable LP Gas Griddle owner's manual.

## Product Registration

For faster warranty service, please register your product immediately. To register, call 1.800.694.0013.

## Replacement Parts

For replacement parts, call 1.800.694.0013.

## Limited Warranty

RevoAce Inc. Limited ("manufacturer") warrants to the original retail purchaser of this product, and to no other person, that if this product is assembled, maintained, and operated in accordance with the printed instructions accompanying it, then for a period of one (1) year from the date of purchase, all parts in such product shall be free from defects in material and workmanship. Manufacturer may require reasonable proof of your date of purchase. Therefore, you should retain your sales slip or invoice. This Limited Warranty shall be limited to the repair or replacement of parts, which prove defective under normal use and service and which manufacturer shall determine in its reasonable discretion upon examination to be defective. Before returning any parts, you should contact manufacturer's Customer Service Department using the contact information listed below. If manufacturer confirms, after examination, a defect covered by this Limited Warranty in any returned part, and if manufacturer approves the claim, manufacturer will replace such defective part without charge. If you return defective parts, transportation charges must be prepaid by you. manufacturer will return replacement parts to the original retail purchaser, freight or postage prepaid.

This Limited Warranty does not cover any failures or operating difficulties due to accident, abuse, misuse, alteration, misapplication, improper installation or improper maintenance or service by you or any third party, or failure to perform normal and routine maintenance on the product as set out in this owner's manual. In addition, the Limited Warranty does not cover damage to the finish, such as scratches, dents, discoloration, rust or other weather damage, after purchase.

This Limited Warranty is in lieu of all other express warranties. manufacturer disclaims all warranties for products that are purchased from sellers other than authorized retailers or distributors, including the warranty of merchantability or the warranty of fitness for a particular purpose. MANUFACTURER ALSO DISCLAIMS ANY AND ALL IMPLIED WARRANTIES, INCLUDING WITHOUT LIMITATION THE IMPLIED WARRANTIES OF MERCHANTABILITY AND FITNESS FOR A PARTICULAR PURPOSE. MANUFACTURER SHALL HAVE NO LIABILITY TO PURCHASER OR ANY THIRD PARTY FOR ANY SPECIAL, INDIRECT, PUNITIVE, INCIDENTAL, OR CONSEQUENTIAL DAMAGES. manufacturer further disclaims any implied or express warranty of, and assumes no responsibility for, defects in workmanship caused by third parties.

This Limited Warranty gives the purchaser specific legal rights; a purchaser may have other rights depending upon where he or she lives. Some jurisdictions do not allow the exclusion or limitation of special, incidental or consequential damages, or limitations on how long a warranty lasts, so the above exclusion and limitations may not apply to everyone. manufacturer does not authorize any person or company to assume for it any other obligation or liability in connection with the sale, installation, use, removal, return, or replacement of its equipment, and no such representations are binding on manufacturer.

RevoAce Inc. Limited  
Hong Kong, China  
service@revoace.com  
1.800.694.0013

8:00 am to 4:00 pm central time, Monday to Friday.

