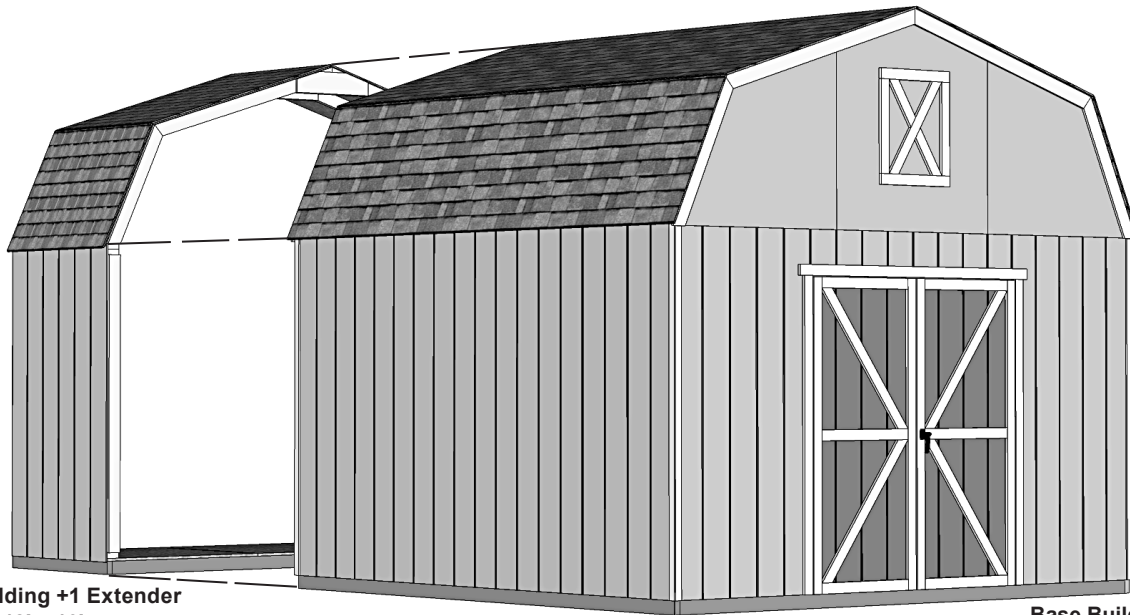


	BUILDING SIZE	ACTUAL FLOOR SIZE
<i>BASE MODEL</i>	<i>12' x 12' (365,8 x 365,8 cm)</i>	<i>12' x 12' (365,8 x 365,8 cm)</i>
<i>+1: 12' x 4' Extender</i>	<i>12' x 16' (365,8 x 487,7 cm)</i>	<i>12' x 16' (365,8 x 487,7 cm)</i>
<i>+1: 12' x 8' Extender</i>	<i>12' x 20' (365,8 x 609,6 cm)</i>	<i>12' x 20' (365,8 x 609,6 cm)</i>
<i>+1: 12' x 8' and +1: 12' x 4' Extender</i>	<i>12' x 24' (365,8 x 731,5 cm)</i>	<i>12' x 24' (365,8 x 731,5 cm)</i>

KEEP THIS MANUAL FOR FUTURE REFERENCE



Base Building +1 Extender
12' x 16'

Base Building 12' x 12'

... continued from PART 1

(Continued from PART 1, page 78.)

12x12' 12x16' 12x20' 12x24' **RAFTERS**

PARTS REQUIRED:

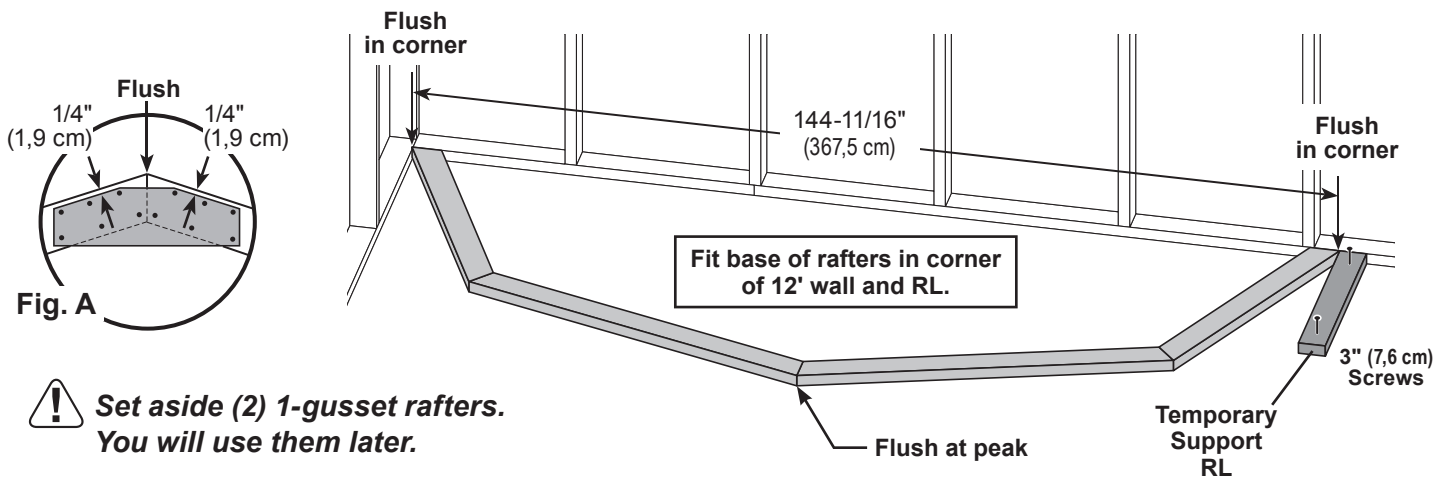
x12	x16	x20	x24
x14	x18	x22	x26
x144	x192	x240	x288

6 x 24" (15,2 x 60,9 cm)
Pre-assembled
2" (5,1 cm)

x2 3" (7,6 cm)
x1 RL Temporary Support
2 x 4 x 24" (5,1 x 10,2 x 61 cm)

Build number of rafter assemblies depending on size of shed.

- BEGIN**
- Measure 144-11/16 (367,5 cm) from the corner and install RL with (2) 3" screws. Place two rafter-halves on floor and flush in the corners of wall and RL. Flush rafters at peak. Secure gusset to rafters with 2" nails following the pattern shown (Fig. A, Fig. B).
- HINT:** Use floor and walls to help assemble rafters!



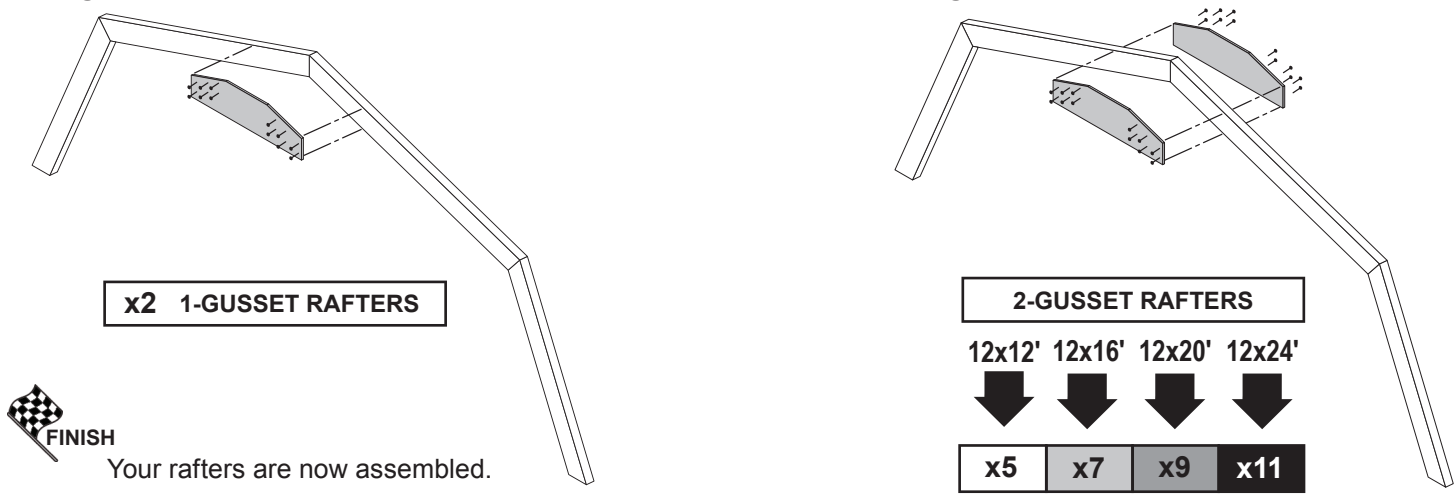
! Set aside (2) 1-gusset rafters. You will use them later.

Depending on your shed size, build rafters with (2) gussets (Fig. C).

- Place two rafter-halves on floor and flush in the corners of wall and RL, as shown in STEP - 1. Flush rafters at peak. Secure gusset to rafters with 2" nails following the pattern shown (Fig. A).
- Flip over rafter assembly and fasten second gusset to other side with 2" nails (Fig. C).

Fig. B - Build 2 for all sizes

Fig. C



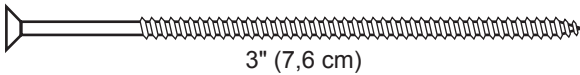
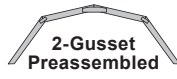
FINISH
Your rafters are now assembled.
Remove RL and screws from floor.

12x12' 12x16' RAFTER INSTALLATION

PARTS REQUIRED:



- 12x12'
12x16'
- x5
x7
- x28
x36



✓ BEGIN

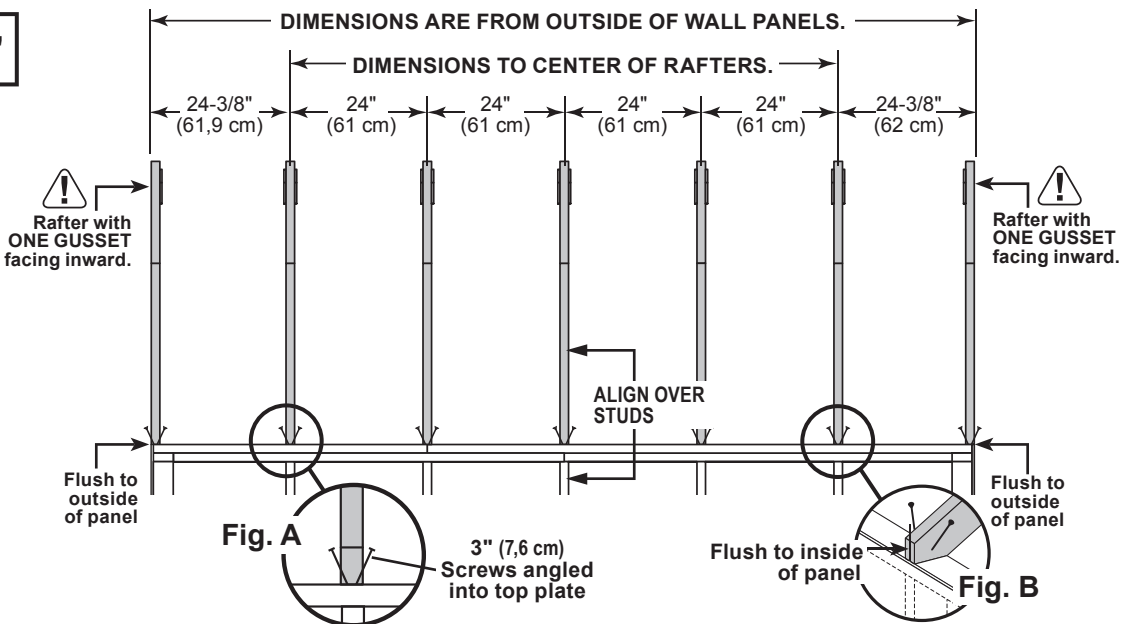
1 Align rafters over the wall studs.



- Check that you have the measurements shown.
- Secure rafters with (2) 3" screws angled at each end (**Fig. A, Fig. B**).
- Secure rafters on opposite side.

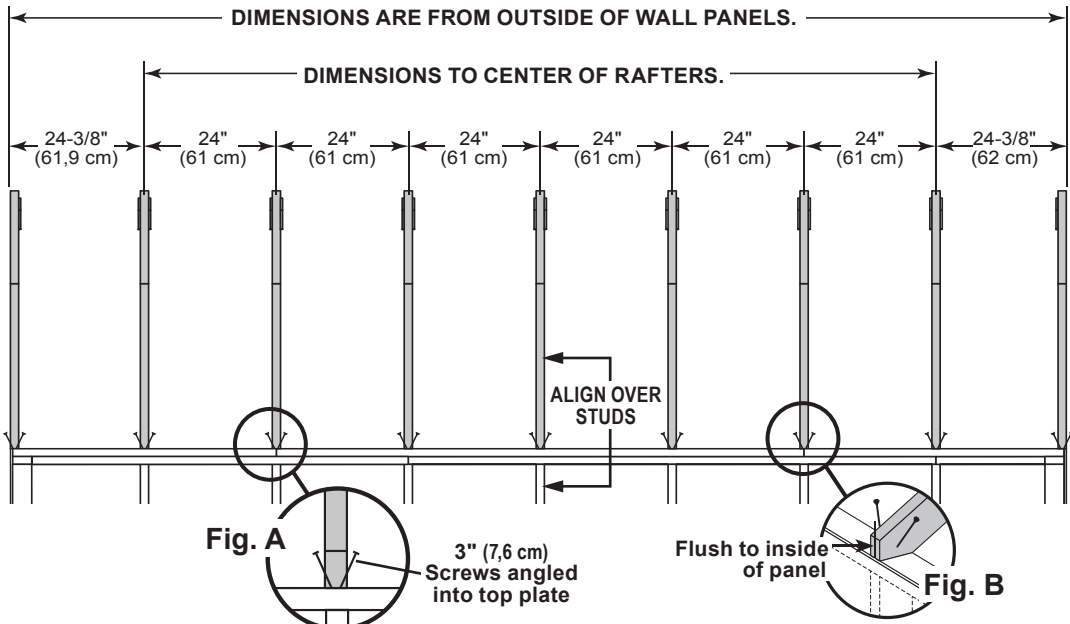
! *Maintain the measurements between rafters.*

12' x 12'



! *Maintain the measurements between rafters.*

12' x 16'



FINISH

Your rafters are now installed.

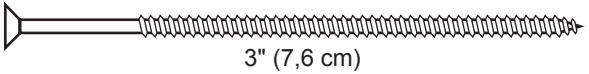
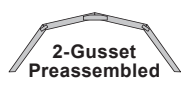
12x20' 12x24' RAFTER INSTALLATION

PARTS REQUIRED:



12x20'
x9
x44

12x24'
x11
x52



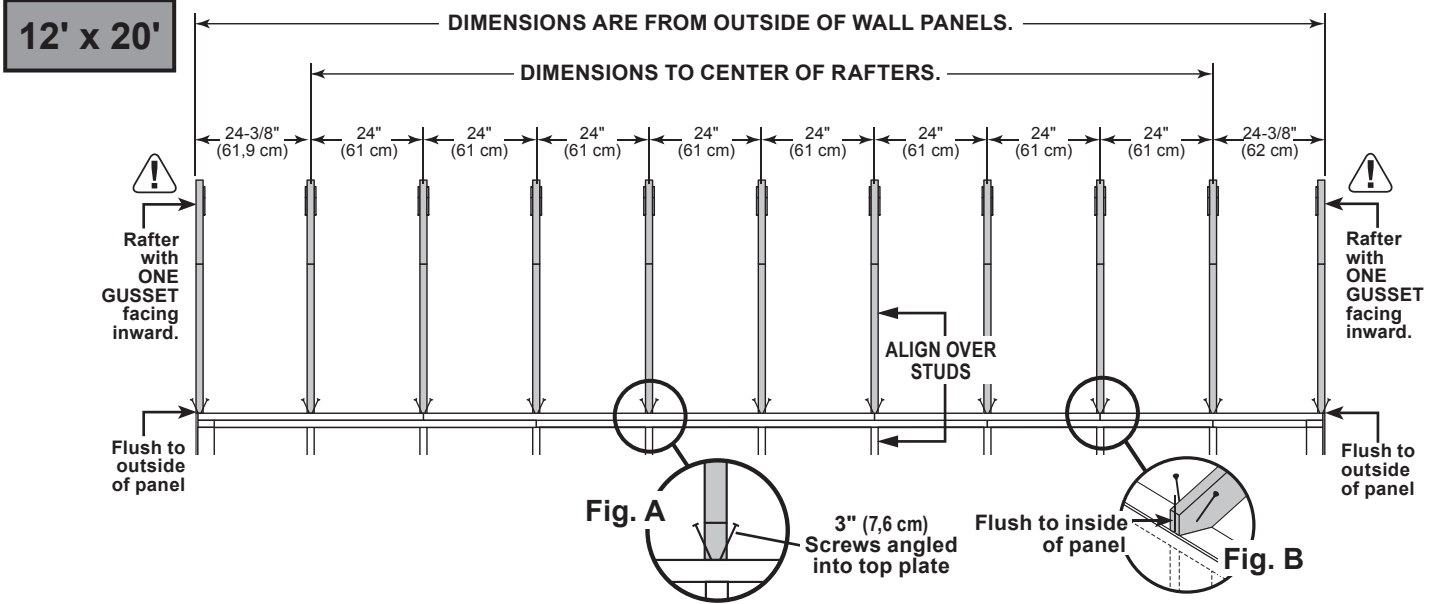
✓ BEGIN

1 Align rafters over the wall studs.

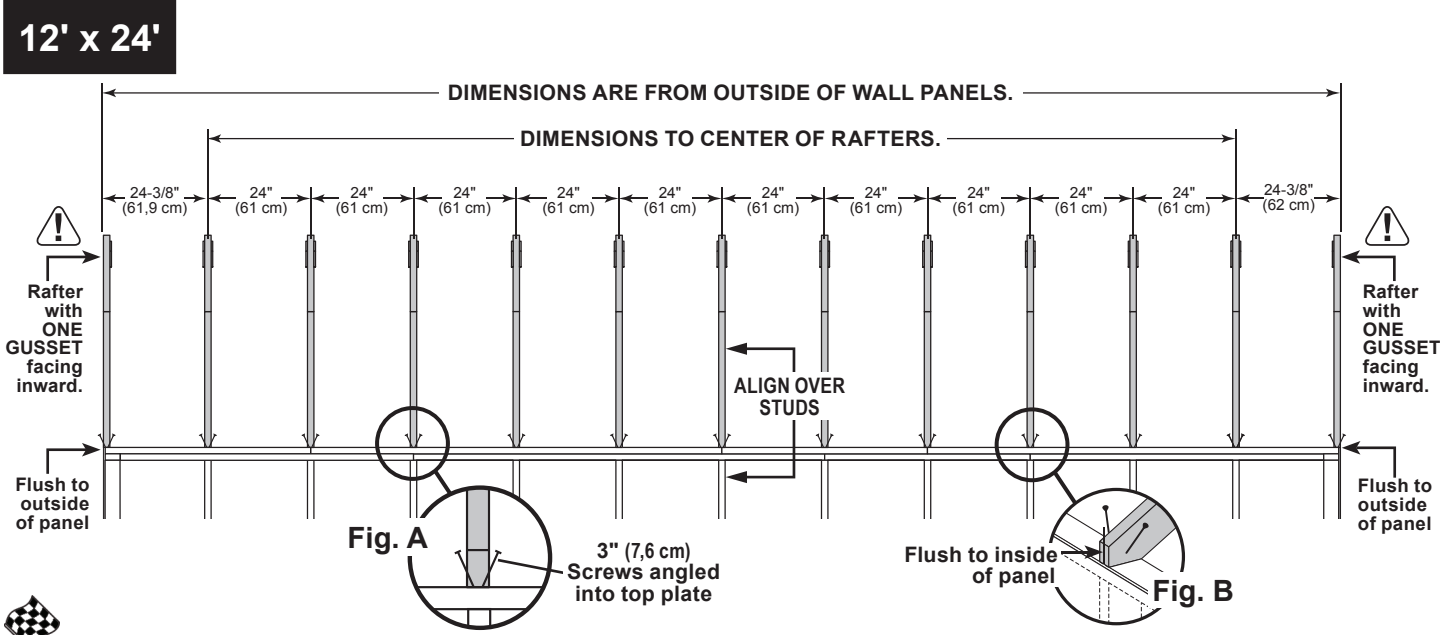


- Check that you have the measurements shown.
- Secure rafters with (2) 3" screws angled at each end (**Fig. A, Fig. B**).
- Secure rafters on opposite side.

! Maintain the measurements between rafters.



! Maintain the measurements between rafters.



FINISH

Your rafters are now installed.

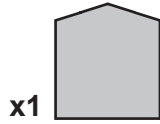
GABLE HAY LOFT TRIM

PARTS REQUIRED:

x2 **JGA**
19/32" x 2-1/2" x 12-7/8" (1,6 x 7,6 x 32,7 cm)

x4 **KX**
19/32" x 2-1/2" x 21-3/4" (1,6 x 7,6 x 55,2 cm)

x1 **LKA**
19/32" x 2-1/2" x 25-3/4" (1,6 x 7,6 x 65,4 cm)



x2 **QL Temporary Support**
2 x 4 x 39" (5,1 x 10,2 x 99,1 cm)

x14 2" (5,1 cm)

x20 3/4" (1,9 cm)



BEGIN

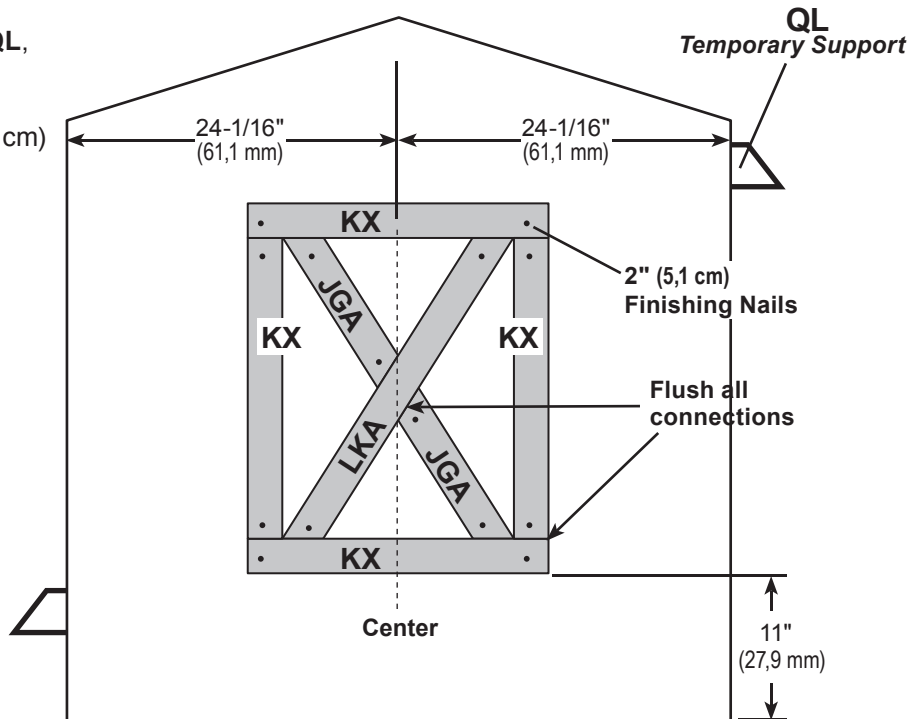
- 1** Set gable center panel on top of (2) QL, as shown.

Measure and mark the 24-1/16" (61,1 cm) center of the gable panel and 11" (27,9 cm) from bottom of panel.

- 2** Arrange trim parts as shown, with all connections flush.

Secure with 2" finishing nails, (2) in each part.

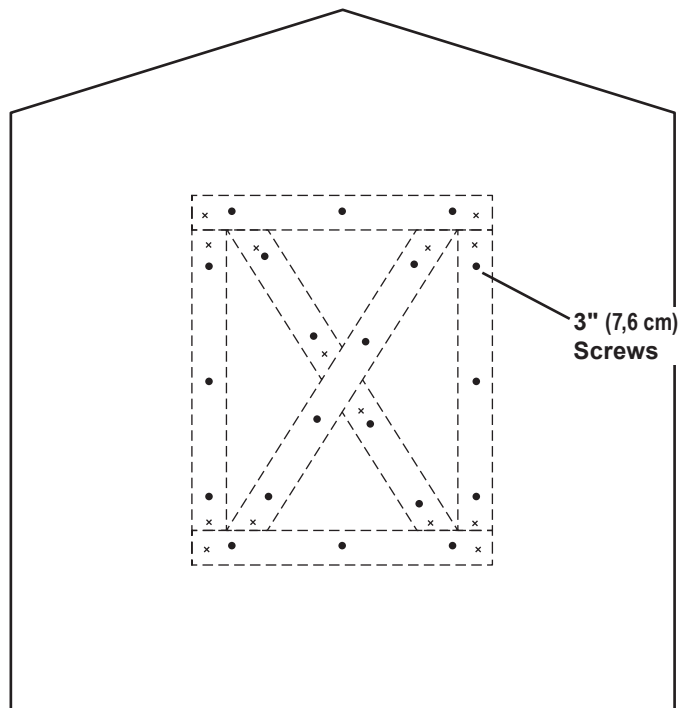
You are finished with the temporary supports. Set them aside.



- 3** Turn the panel (with trim attached) over.

Secure each part with 3/4" screws between nails, as shown.

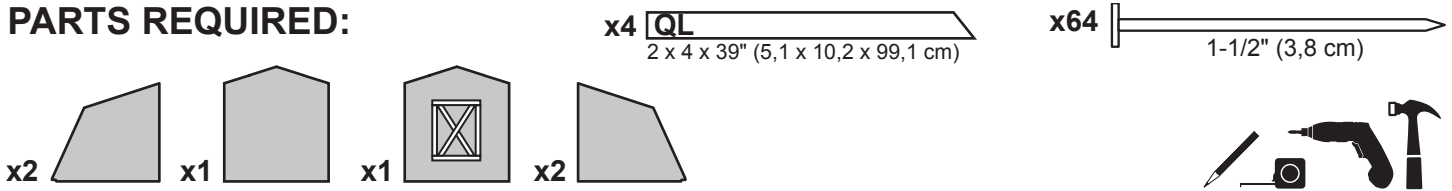
Snip off the protruding nails.



Your gable panel with hay loft trim is now assembled.

GABLE UNITS

PARTS REQUIRED:

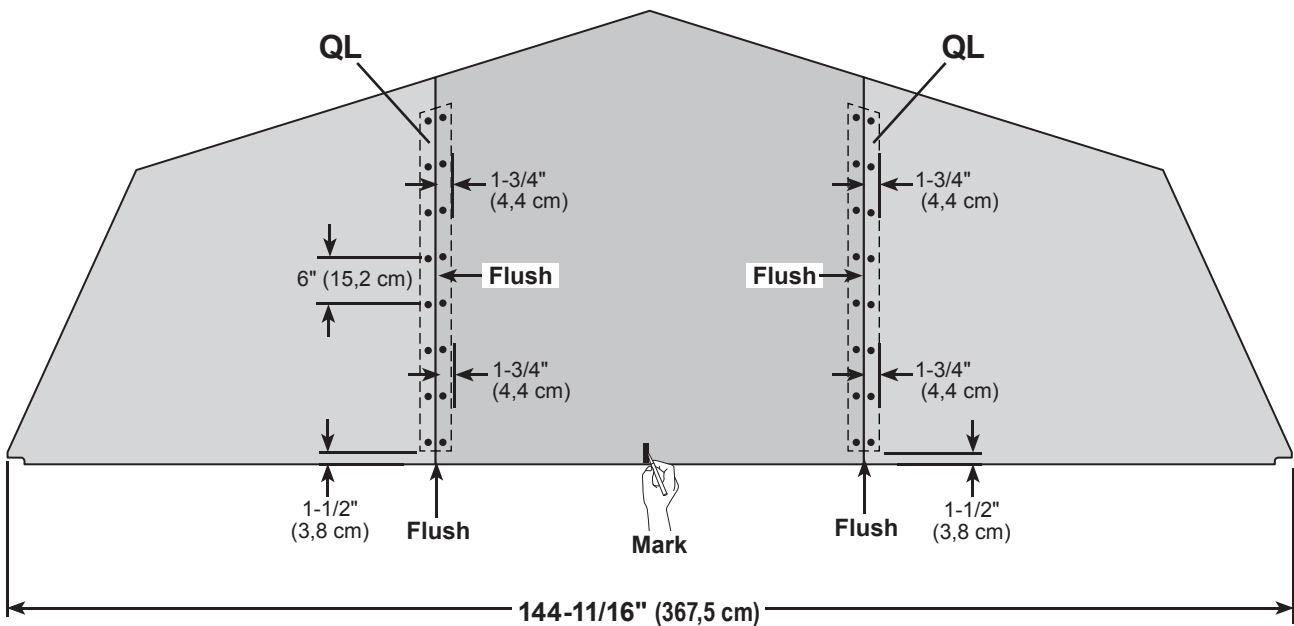


Install gable panels with the primed side facing up.

✓ BEGIN

- 1 Place middle panel on (2) QL. Arrange parts to measurements shown. Secure panel with 1-1/2" nails spaced 6" apart along edge. Check measurements as you build the gable unit.
- 2 Place left and right panels on QL, flush to middle panel. Secure panel with 1-1/2" nails spaced 6" apart along edge.

Mark the center of the middle gable panel.



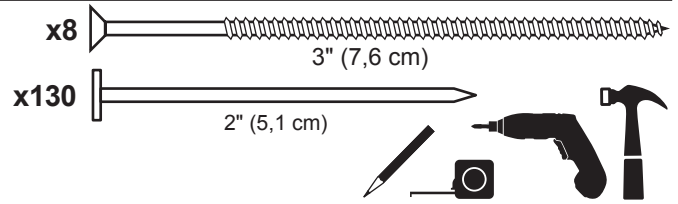
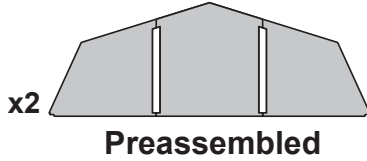
Repeat steps to assemble the 2nd gable unit.




Your (2) gable units are now assembled.

GABLE INSTALLATION

PARTS REQUIRED:



✓ BEGIN

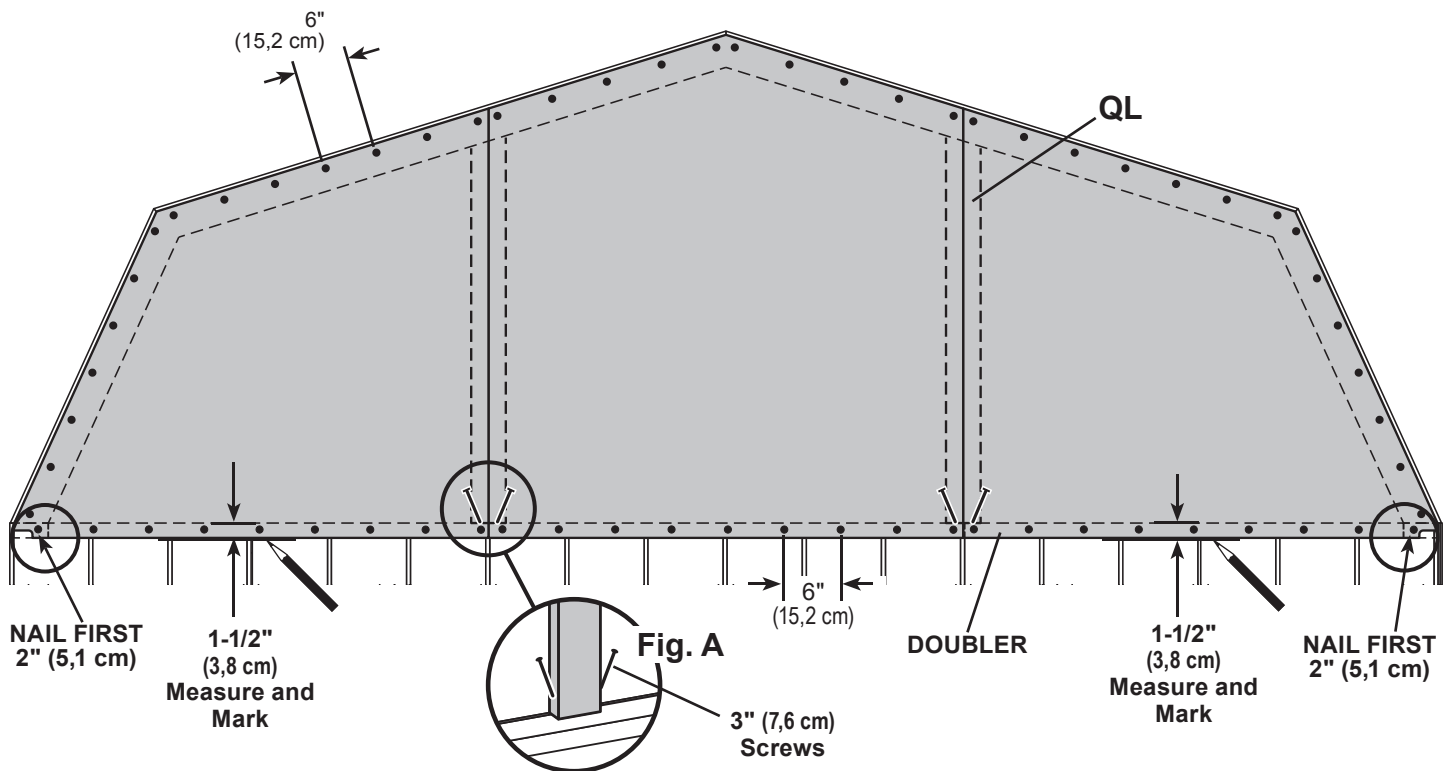
- 1 Measure 1-1/2" (3,8 cm) down from top plate doubler and mark at each side as shown. Set gable unit on top plate. Fasten with (1) 2" nail on each side. 

⚠ BE SURE GABLE IS CENTERED ON WALL BEFORE NAILING.

Continue nailing lower edge of panels to wall doubler with 2" nails spaced 6" apart.

- 2 Secure gable panels to rafter with with 2" nails spaced 6" apart.

- 3 Working inside, secure gable unit with (2) 3" screws angled into each QL at an angle (**Fig. A**).



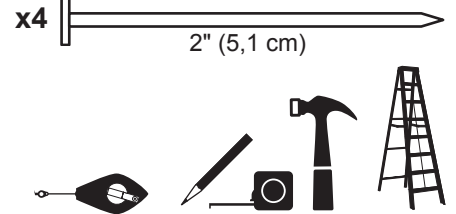
Repeat steps for installation of the opposite side 12' gable.




Your gable units are now installed.

12' x 12' ROOF PANELS

PARTS REQUIRED:



 Roof panels may cause serious injury until securely fastened.
Note: Install all roof panels with the rough side up (painted grid lines).

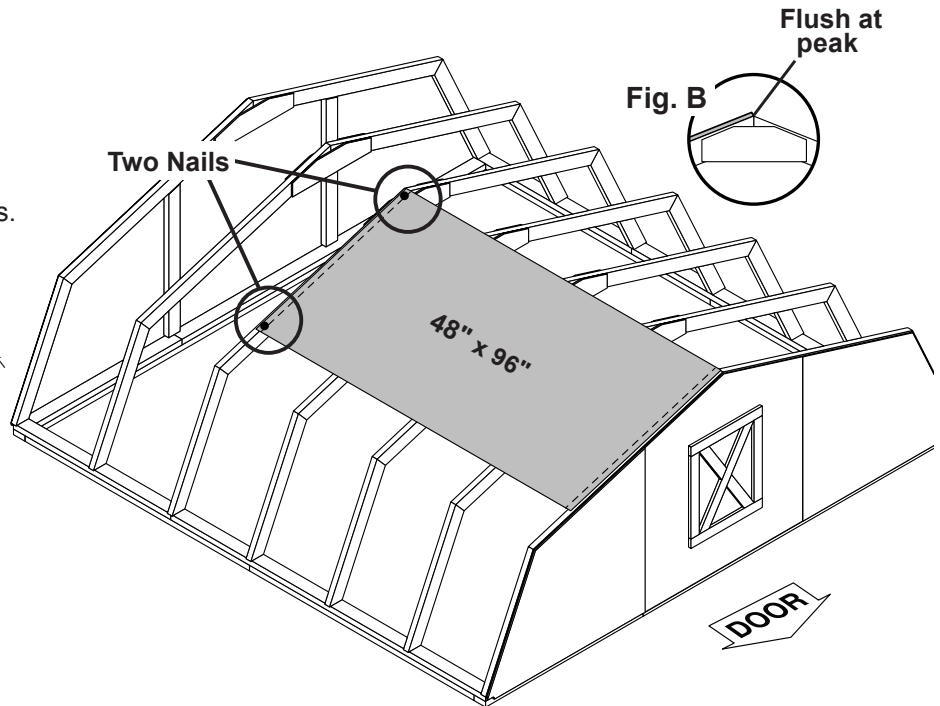
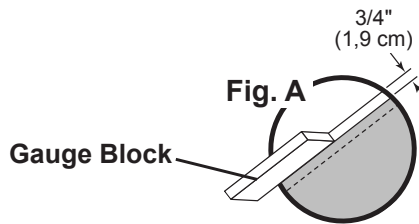


✓ BEGIN

1

Place the 48" x 96" panel on rafters with a 3/4" measurement on the rafter (Fig. A) and the panel flush at the peak (Fig. B).

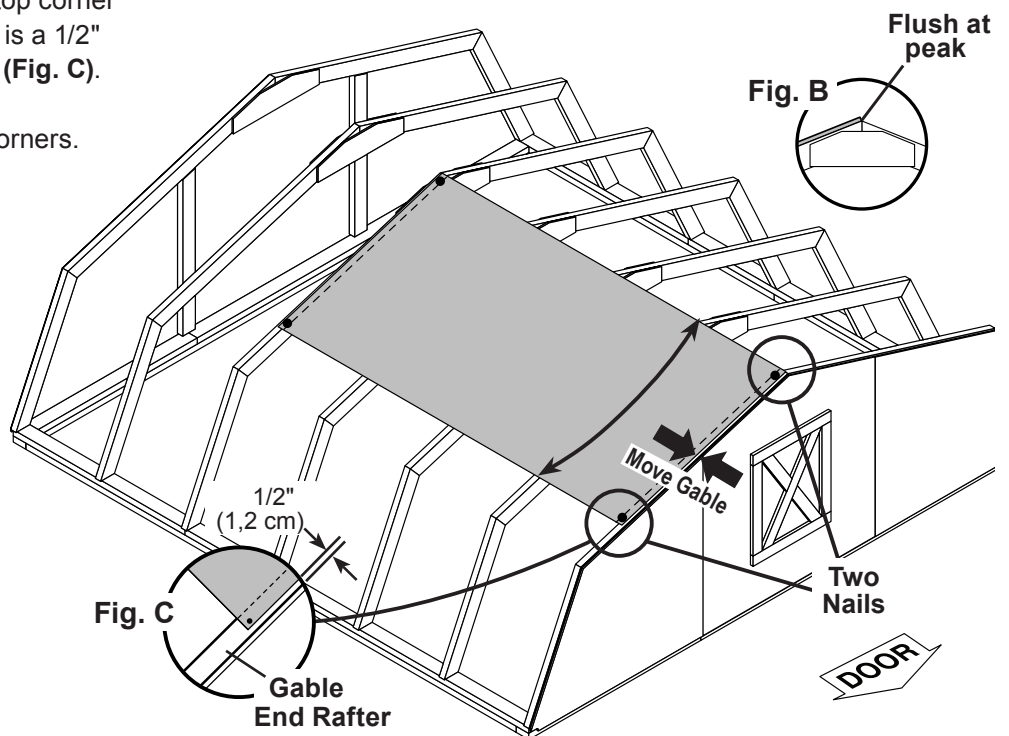
Secure panel with (2) 2" nails in the corners.



2


Move to the opposite end.
Using the long edge of the panel as a lever, move the panel side-to-side until the top corner is flush to the peak (Fig. B) and there is a 1/2" measurement on the gable end rafter (Fig. C).

Secure panel with (2) 2" nails in the corners.

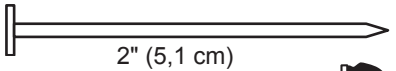


12' x 12' ROOF PANELS

PARTS REQUIRED:

x1  47-7/8" x 48"
(121,6 x 121,9 cm)



x12  2" (5,1 cm)



3
Install a 23-7/8" x 48" roof panel flush to the installed panel and flush at peak (**Fig. B**).

Secure panel with (1) 2" nail in each corner.

4
Move the gable end rafter edge until it is 1/2" from the 23-7/8" x 48" roof panel (**Fig. C**).

Finish securing panel with (1) 2" nail in each corner.

5
Maintain spacing between the center of the rafters at the lower edge of the panels (**Fig. D**).

Secure panels with (1) 2" nail into each rafter, as shown.

Move to the top of the panel and keep spacing between the center of the rafters.

Secure panels with (1) 2" nail into each rafter.

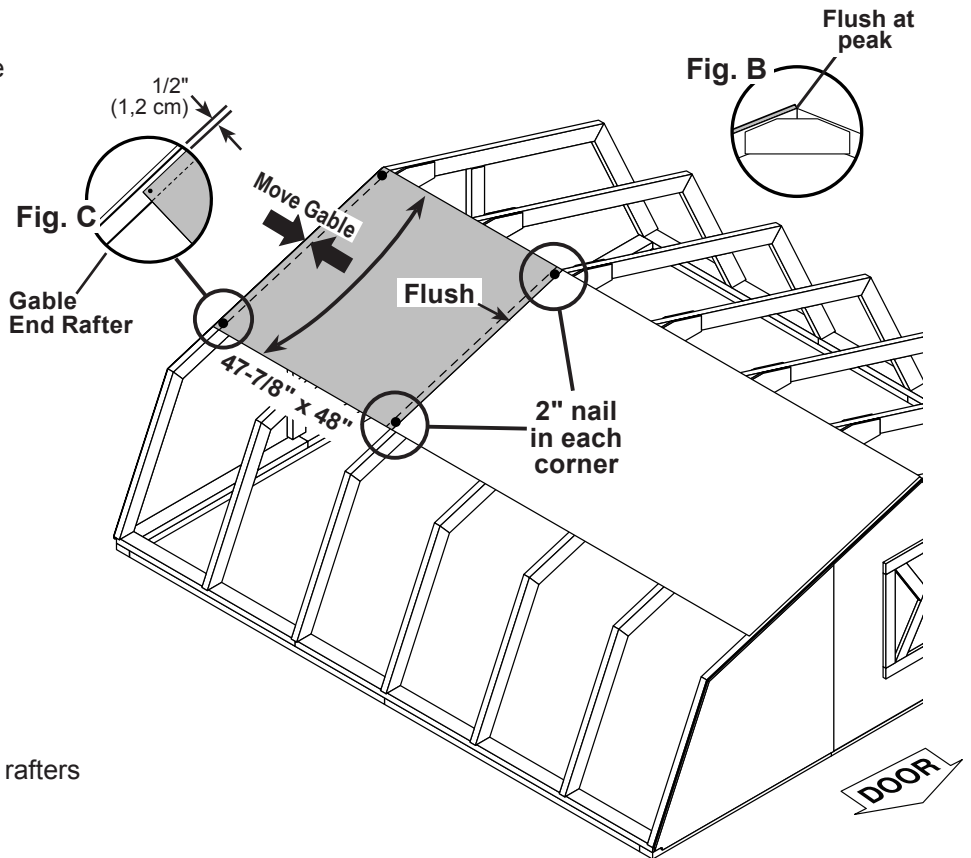
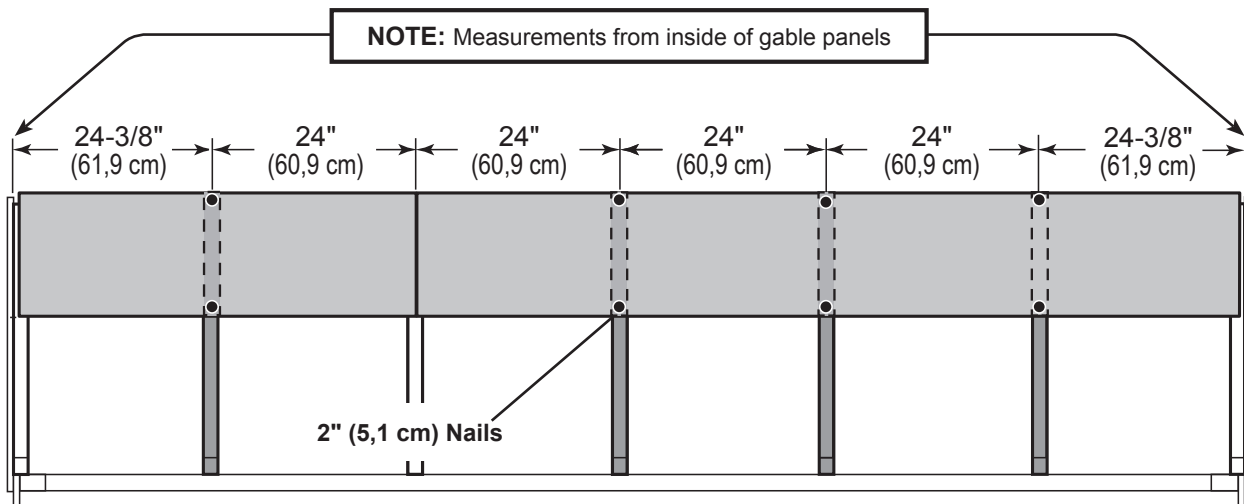



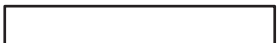
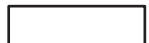
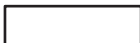


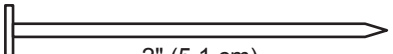
Fig. D



12' x 12' ROOF PANELS

PARTS REQUIRED:

x1		x1		x1	
	23-7/8" x 96" (60,6 x 243,8 cm)		23-7/8" x 48" (60,6 x 121,9 cm)		12-1/2" x 96" (31,8 cm x 243,8 cm)
x1		x1		x1	
	11-7/8" x 96" (30,2 cm x 243,8 cm)		11-7/8" x 48" (30,2 cm x 121,9 cm)		12-1/2" x 48" (31,8 cm x 121,9 cm)

x24  2" (5,1 cm)

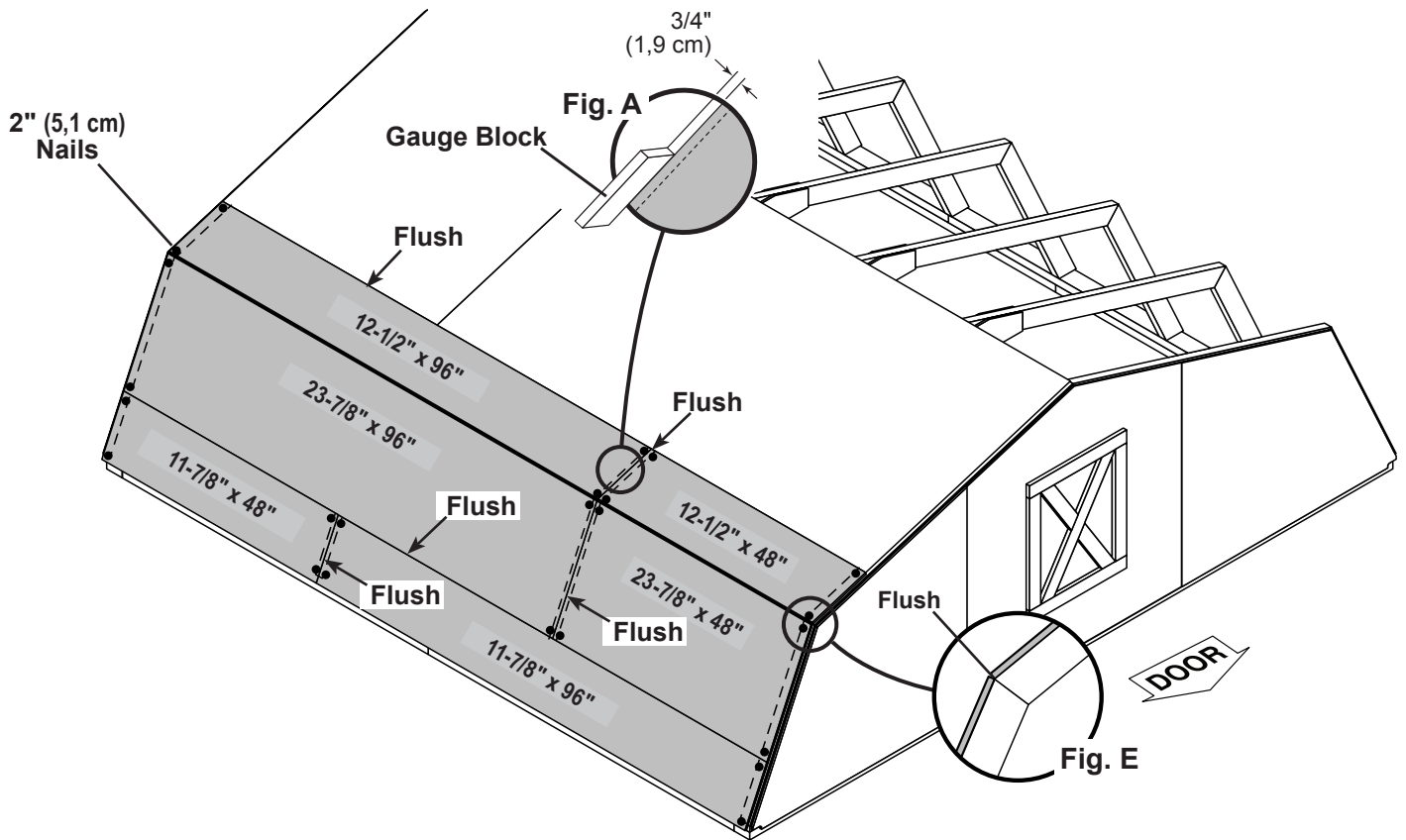
GAA

3/4" GAUGE BLOCK



- 6** Next, install 12-1/2" x 48" and 12-1/2" x 96" roof panels with a 3/4" measurement on the rafter (Fig A) and flush to the installed panels (Fig. E).

Secure panels with (1) 2" nail in each corner.



- 7** Install additional roof panels flush to the installed panels in the following order:

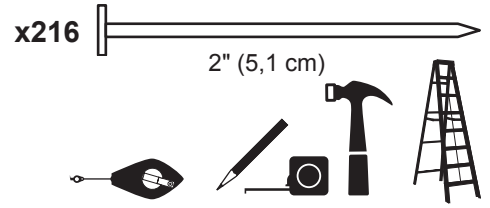
1. 23-7-8" x 48" (Fig. E)
2. 23-7-8" x 96" (Fig. E)
3. 11-7-8" x 96"
4. 11-7-8" x 48"

Install roof panels with a 3/4" measurement on the rafter (Fig A).

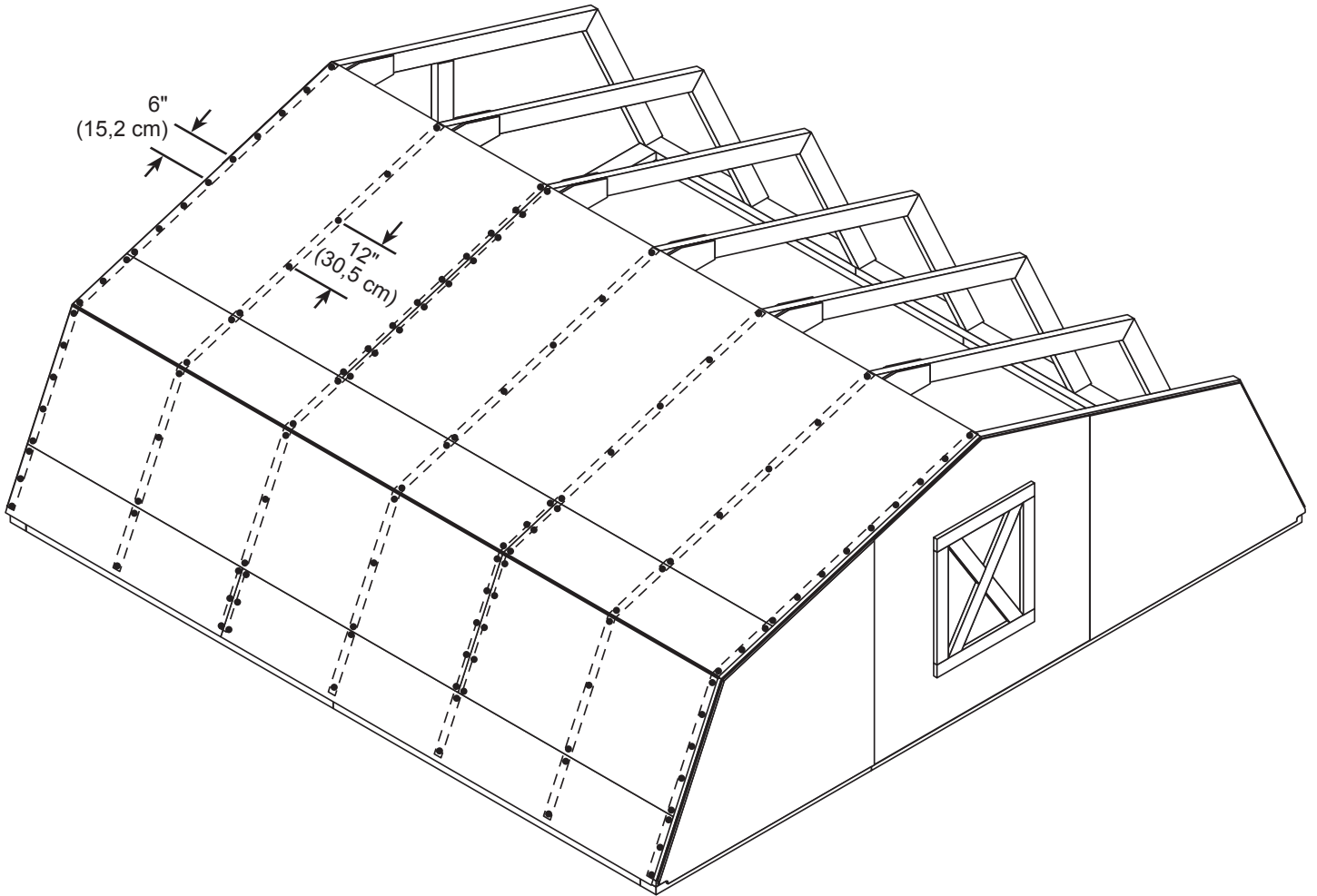
Secure panels with (1) 2" nail in each corner.

12' x 12' ROOF PANELS

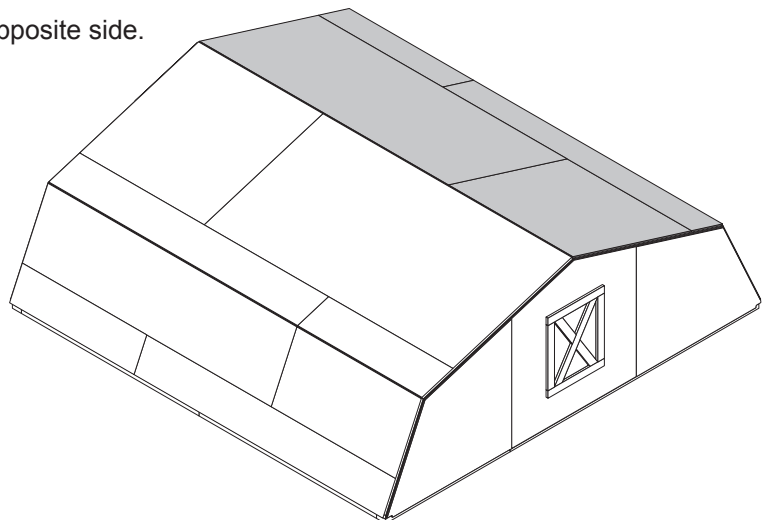
PARTS REQUIRED:



- 8 Secure all roof panels with 2" nails spaced 6" apart and 12" apart inside panels.



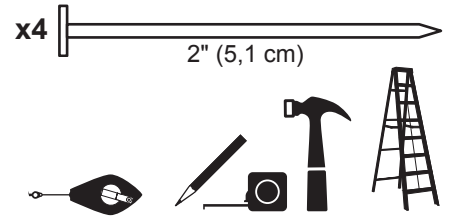
Repeat all steps to install roof panels on the opposite side.




Your roof panels are now installed.

12' x 16' ROOF PANELS

PARTS REQUIRED:

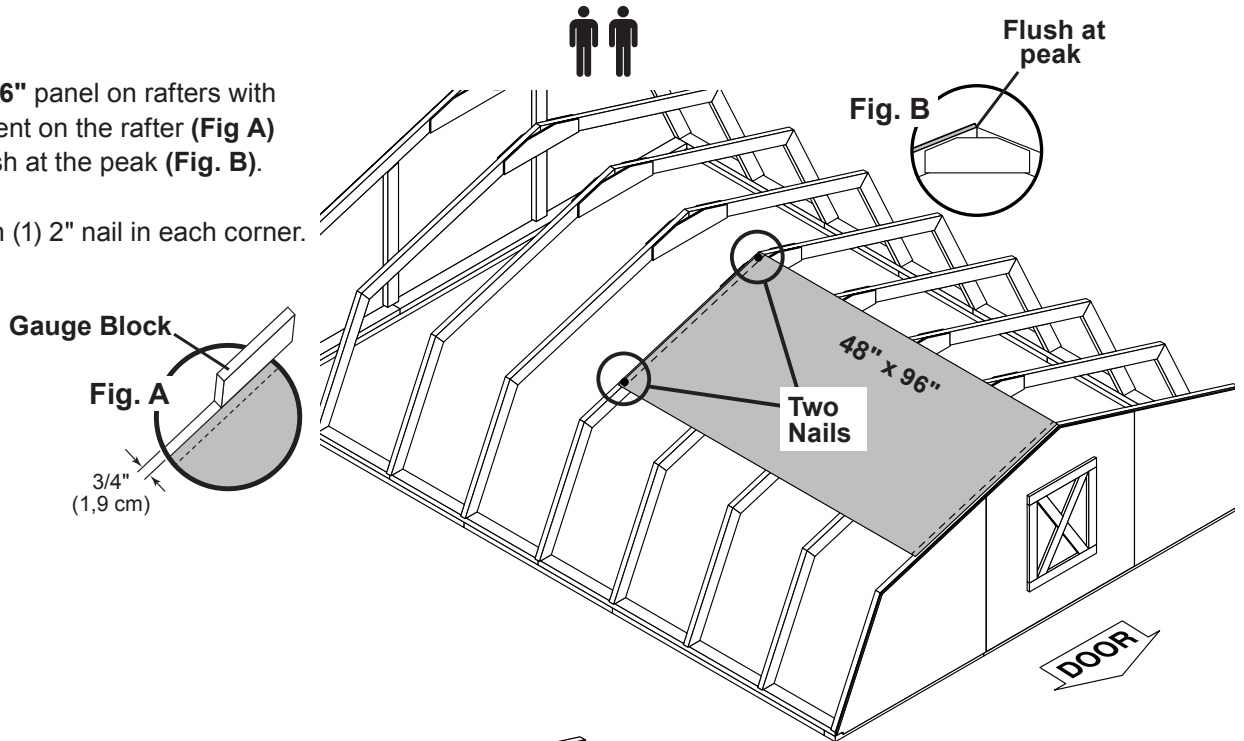


 Roof panels may cause serious injury until securely fastened.
Note: Install all roof panels with the rough side up (painted grid lines).

✓ **BEGIN**
1

Place the 48" x 96" panel on rafters with a 3/4" measurement on the rafter (**Fig A**) and the panel flush at the peak (**Fig. B**).

Secure panel with (1) 2" nail in each corner.

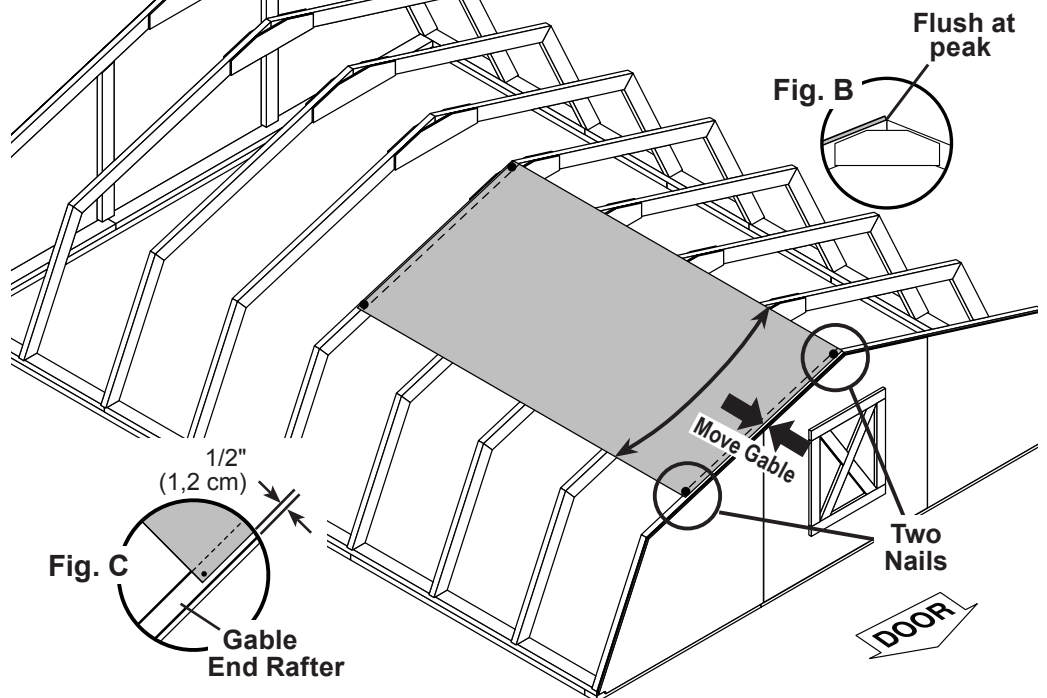


2

Move to the opposite end. Using the long edge of the panel as a lever, move the panel side-to-side until the top corner is flush to the peak (**Fig. B**).

Move gable end rafter edge until it is 1/2" from the panel (**Fig. C**).

Secure panel with (1) 2" nail in each corner.



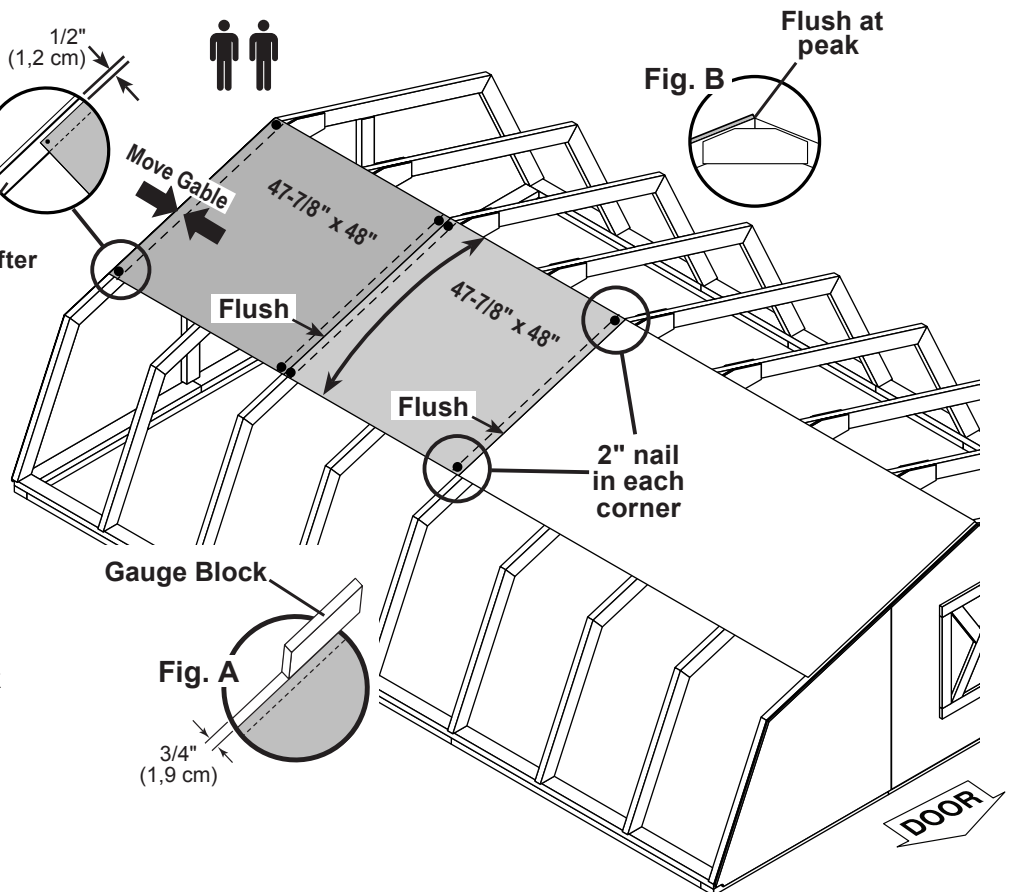
12' x 16' ROOF PANELS

PARTS REQUIRED:



3
Install first $47\text{-}7/8'' \times 48''$ roof panel flush to the installed panel and flush at the peak. Secure panel with (1) 2" nail in each corner.

Move to the opposite end. Using the unattached end of the panel as a lever, move the panel side-to-side until the top corner is flush to the peak (**Fig. B**) and there is a $3/4''$ measurement on the rafter (**Fig. A**). Finish securing panel with (1) 2" nail in each corner.

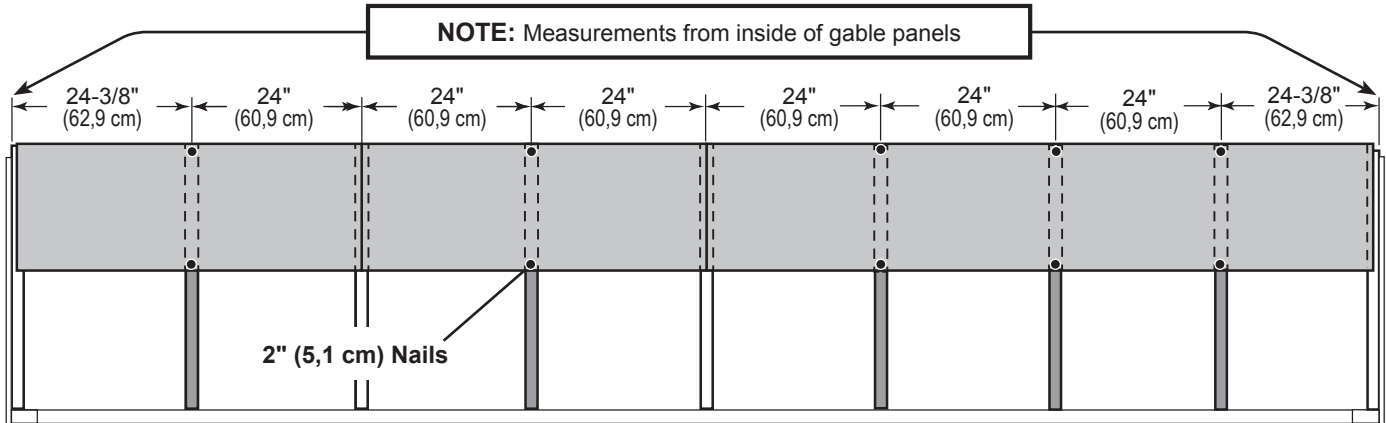


4
Install next $48'' \times 48''$ roof panel flush to the installed panel and flush at the peak (**Fig. B**). Secure panel with (1) 2" nail in each corner.

Move gable end rafter edge until it is $1/2''$ from the 2nd $48'' \times 48''$ roof panel (**Fig. C**). Finish securing panel with (1) 2" nail in each corner.







5
Maintain spacing between the center of the rafters at the lower edge of the panels (**Fig. D**). Secure panels with (1) 2" nail into each rafter, as shown. Move to the top of the panel and keep spacing between the center of the rafters. Secure panels with (1) 2" nail into each rafter.

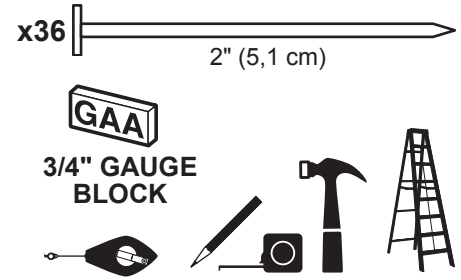
Fig. D



12' x 16' ROOF PANELS

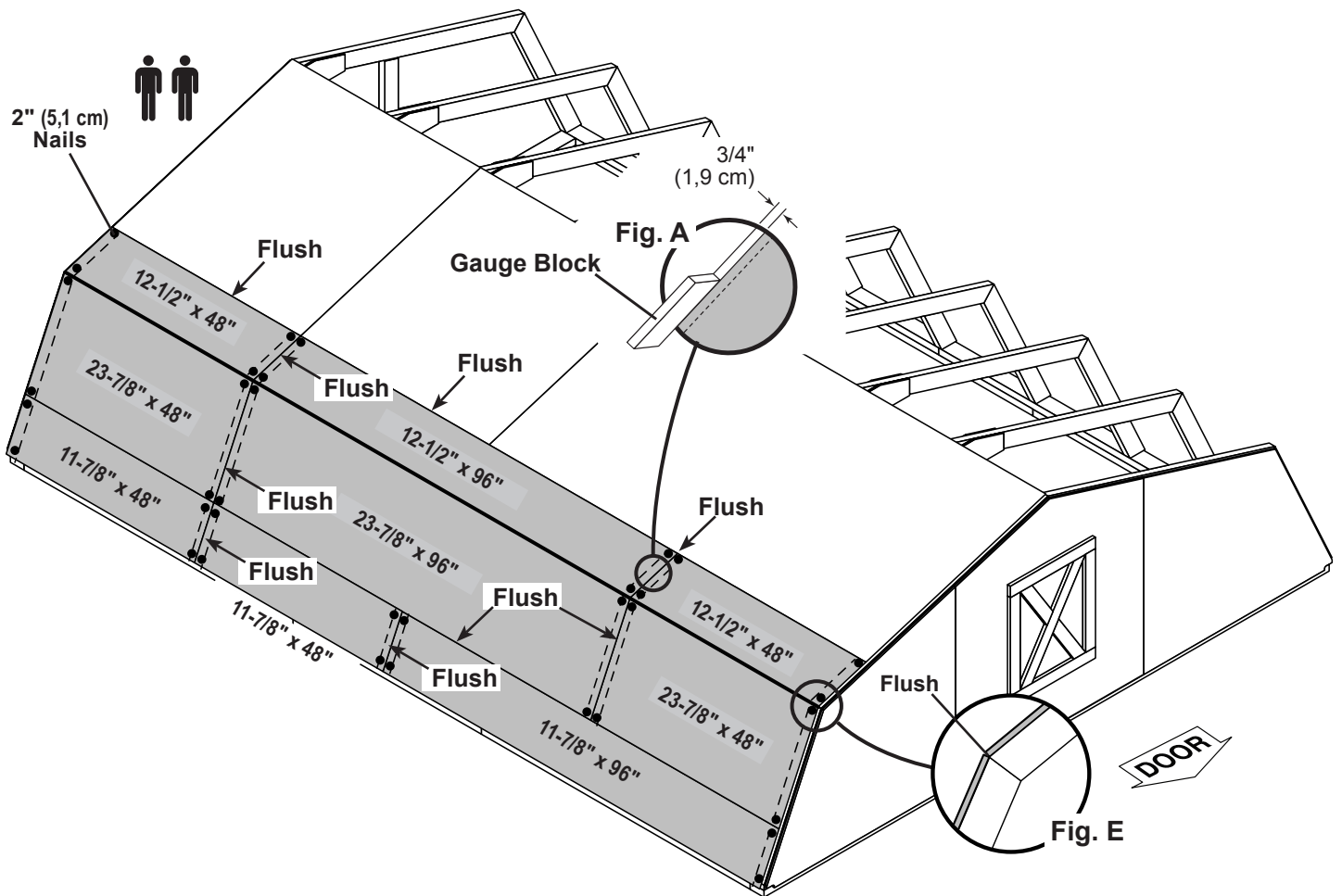
PARTS REQUIRED:

x1		x2		x1	
	23-7/8" x 96" (60,6 x 243,8 cm)		23-7/8" x 48" (60,6 x 121,9 cm)		12-1/2" x 96" (31,8 x 243,8 cm)
x1		x2		x2	
	11-7/8" x 96" (30,2 x 243,8 cm)		11-7/8" x 48" (30,2 x 121,9 cm)		12-1/2" x 48" (31,8 x 121,9 cm)



- 6** Next, install front **12-1/2" x 48"** and **12-1/2" x 96"** roof panels with a **3/4"** measurement on the rafter (**Fig. A**), and flush to the installed panels (**Fig. E**).

Secure panels with (1) 2" nail in each corner.



- 7** Install additional roof panels flush to the installed panels in the following order:

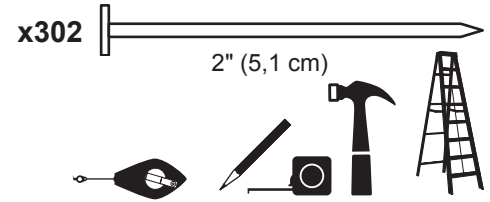
1. 2nd upper **12-1/2" x 48"**
2. **23-7/8" x 48"**, **23-7/8" x 96"** and 2nd **23-7/8" x 48"** (**Fig. E**)
3. **11-7/8" x 96"**, **11-7/8" x 48"** and 2nd **11-7/8" x 48"**

Install roof panels with a **3/4"** measurement on the rafter (**Fig. A**).

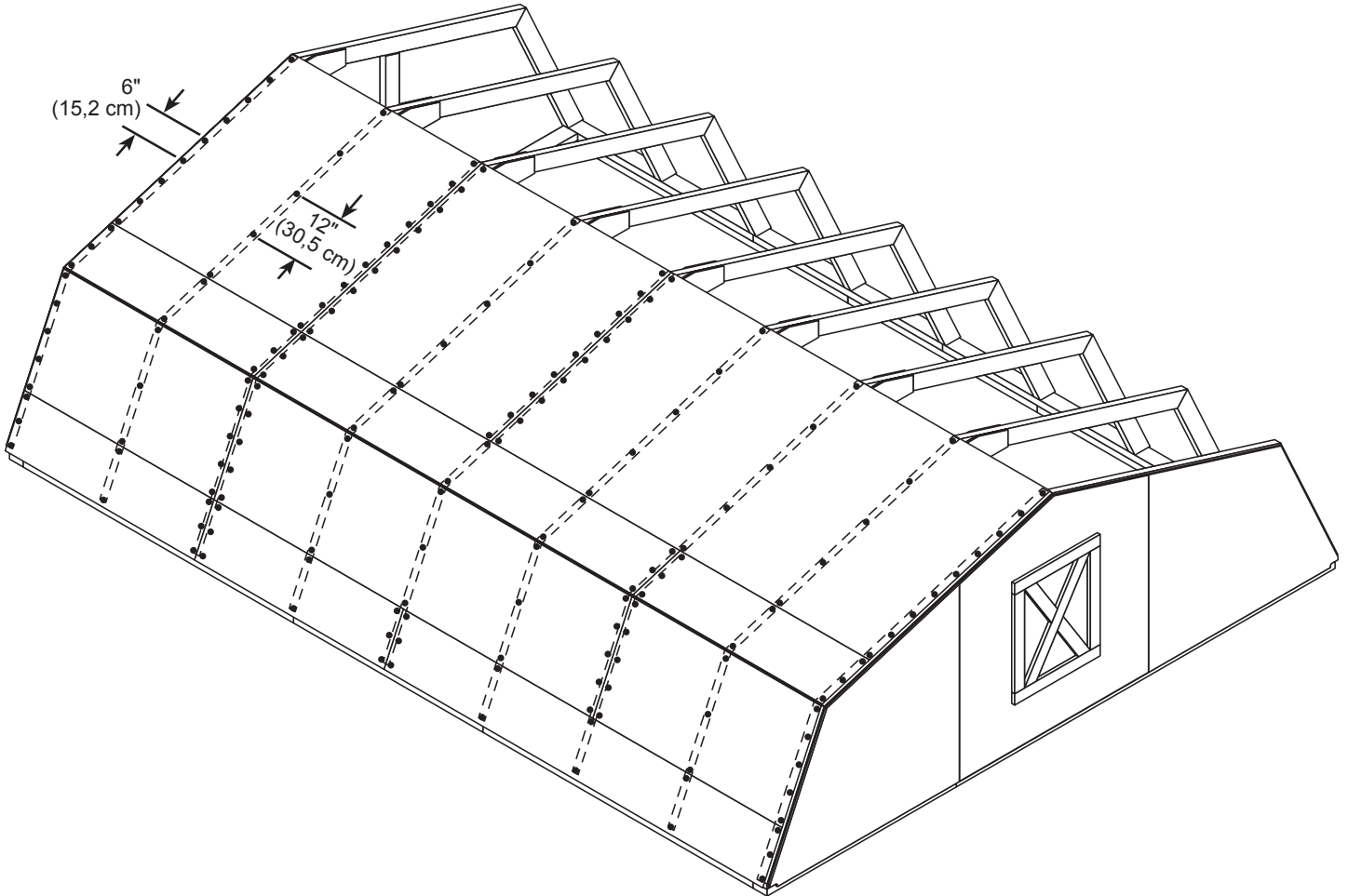
Secure panels with (1) 2" nail in each corner.

12' x 16' ROOF PANELS

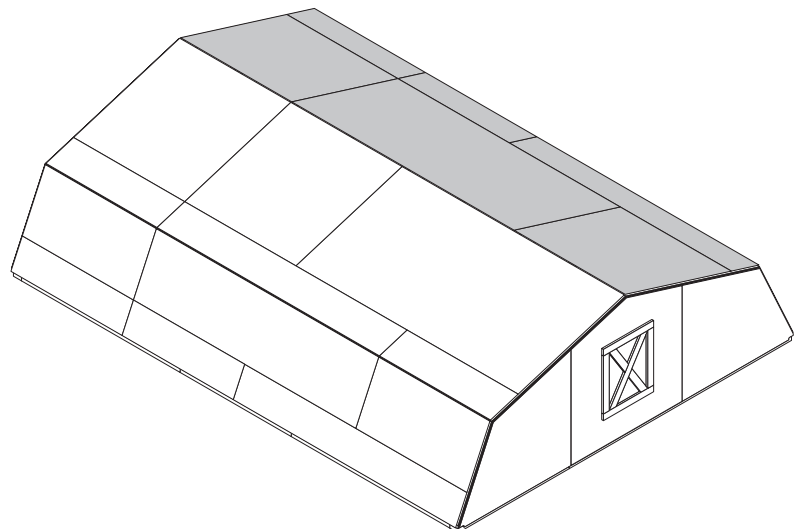
PARTS REQUIRED:



- 8 Secure all roof panels with 2" nails spaced 6" apart and 12" apart inside panels.



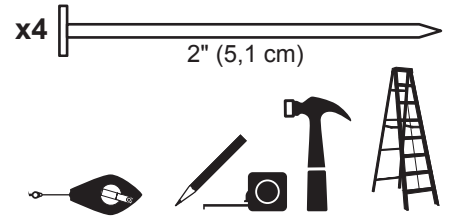
Repeat all steps to install roof panels on the opposite side.




Your roof panels are now installed.

12' x 20' ROOF PANELS

PARTS REQUIRED:



 **Roof panels may cause serious injury until securely fastened.**
Note: Install all roof panels with the rough side up (painted grid lines).

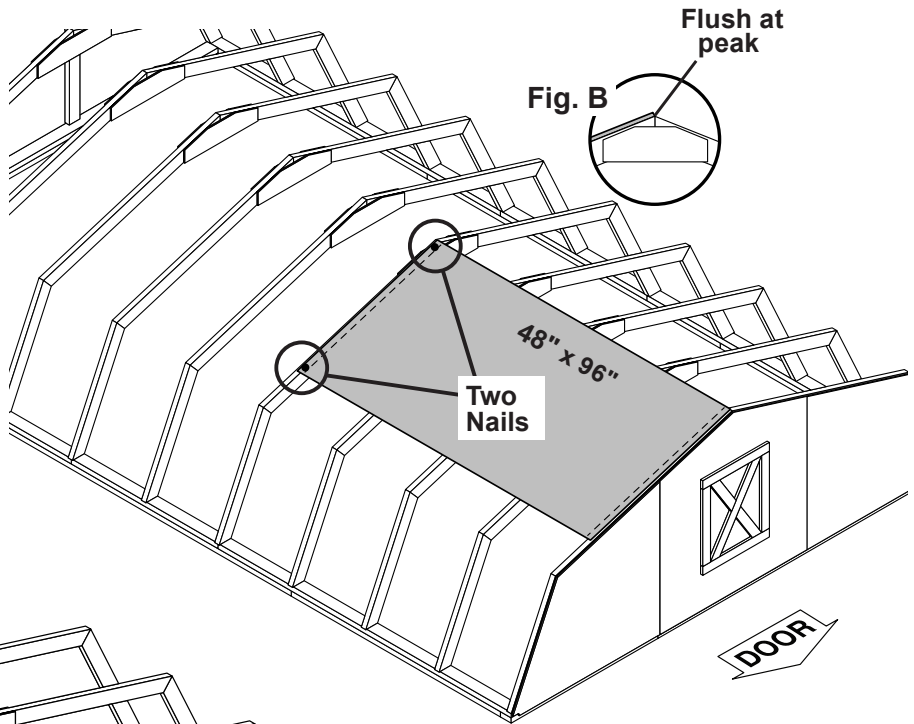
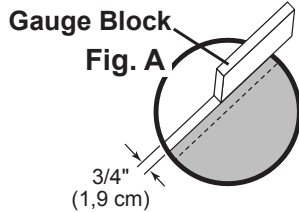


✓ **BEGIN**

1

Place the **48" x 96"** panel on rafters with a **3/4"** measurement on the rafter (**Fig. A**) and the panel flush at the peak (**Fig. B**).

Secure panel with (1) 2" nail in each corner.

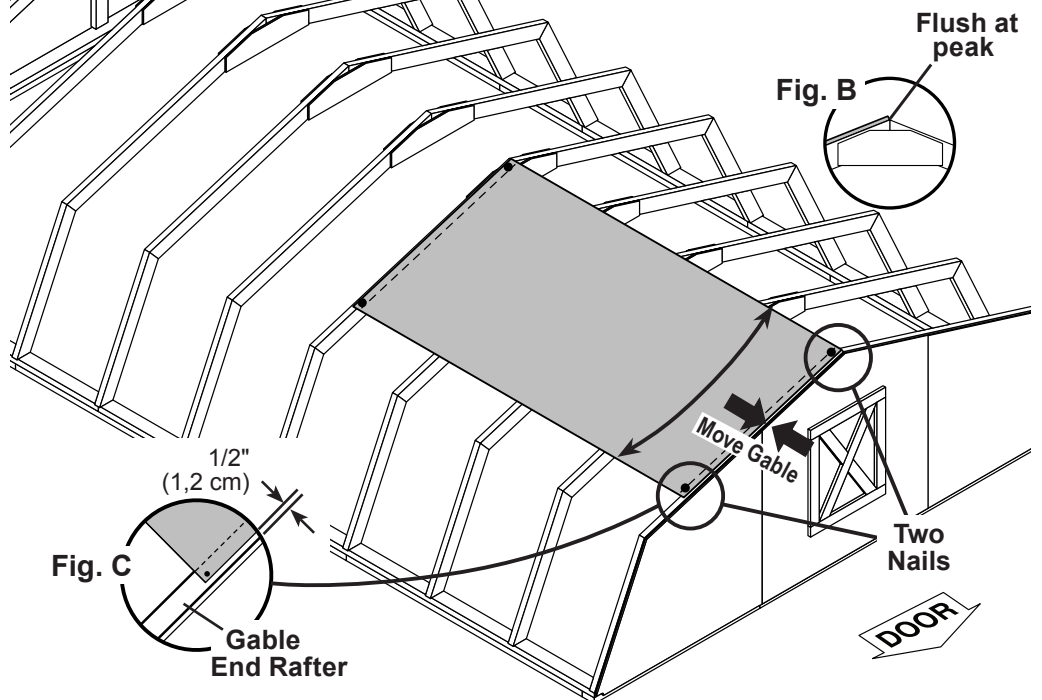
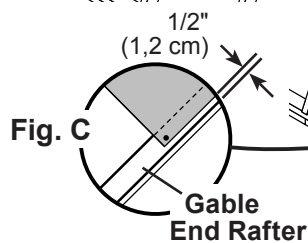


2

Move to the opposite end. Using the long edge of the panel as a lever, move the panel side-to-side until the top corner is flush to the peak (**Fig. B**).

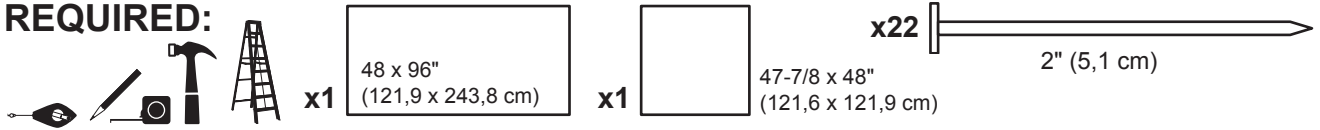
Move gable end rafter edge until it is 1/2" from the panel (**Fig. C**).

Secure panel with (1) 2" nail in each corner.



12' x 20' ROOF PANELS

PARTS REQUIRED:



3
 Install next 47-7/8" x 96" roof panel flush to the installed panel and flush at the peak.
 Secure panel with (1) 2" nail in each corner.

Move to the opposite end.
 Using the unattached end of the panel as a lever, move the panel side-to-side until the top corner is flush to the peak (**Fig. B**) and there is a 3/4" measurement on the rafter (**Fig. A**).
 Finish securing panel with (1) 2" nail in each corner.

4
 Install 48" x 96" roof panel flush to the installed panel and flush at the peak (**Fig. B**).
 Secure panel with (1) 2" nail in each corner.

Move gable end rafter edge until it is 1/2" from the 2nd 48" x 48" roof panel (**Fig. C**).
 Finish securing panel with (1) 2" nail in each corner.

5
 Maintain spacing between the center of the rafters at the lower edge of the panels (**Fig. D**).
 Secure panels with (1) 2" nail into each rafter, as shown.
 Move to the top of the panel and keep spacing between the center of the rafters.
 Secure panels with (1) 2" nail into each rafter.

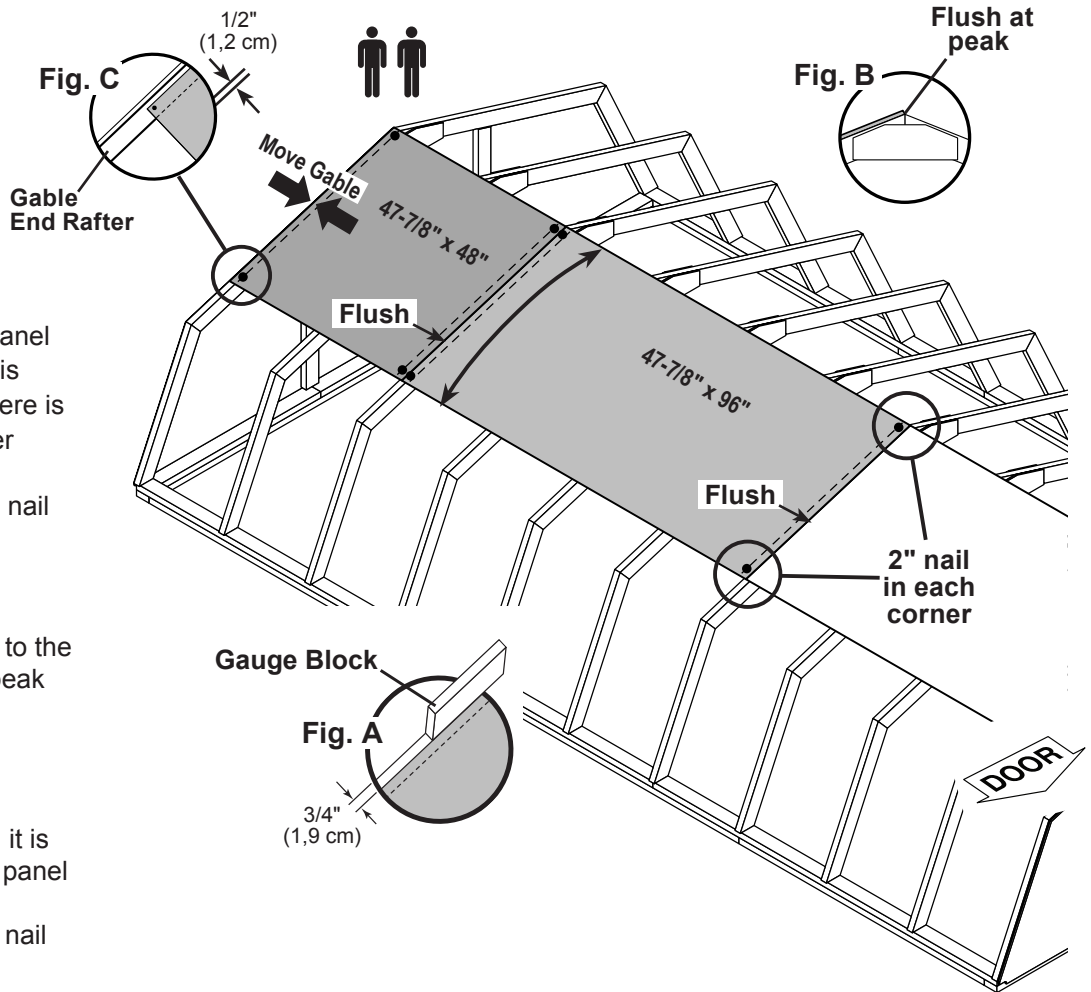
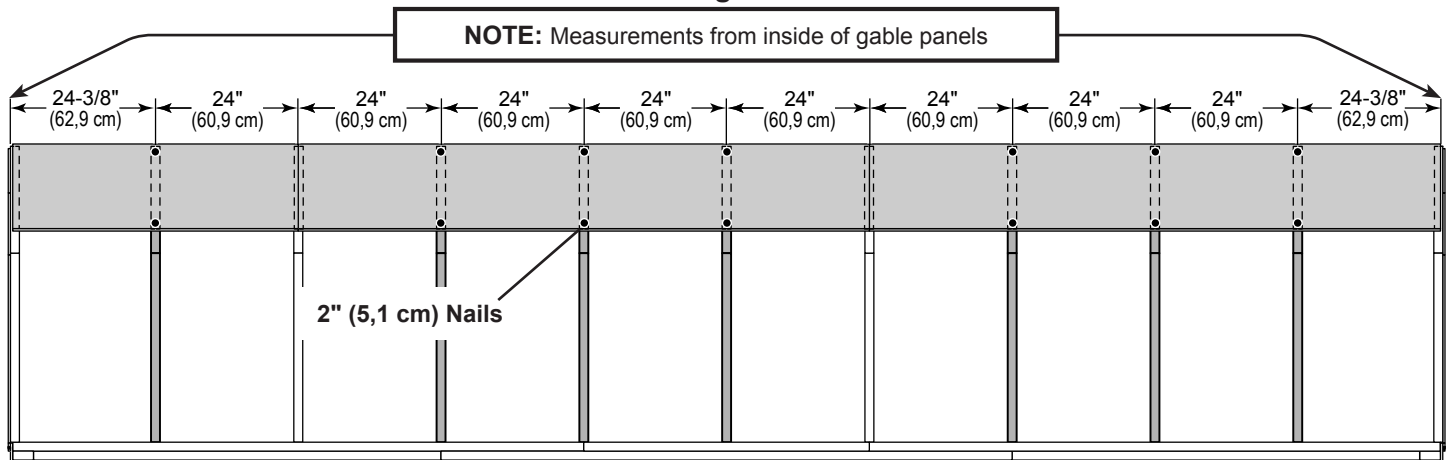
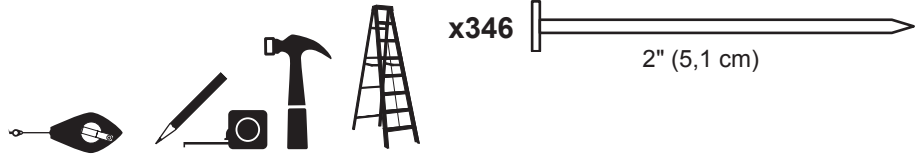


Fig. D

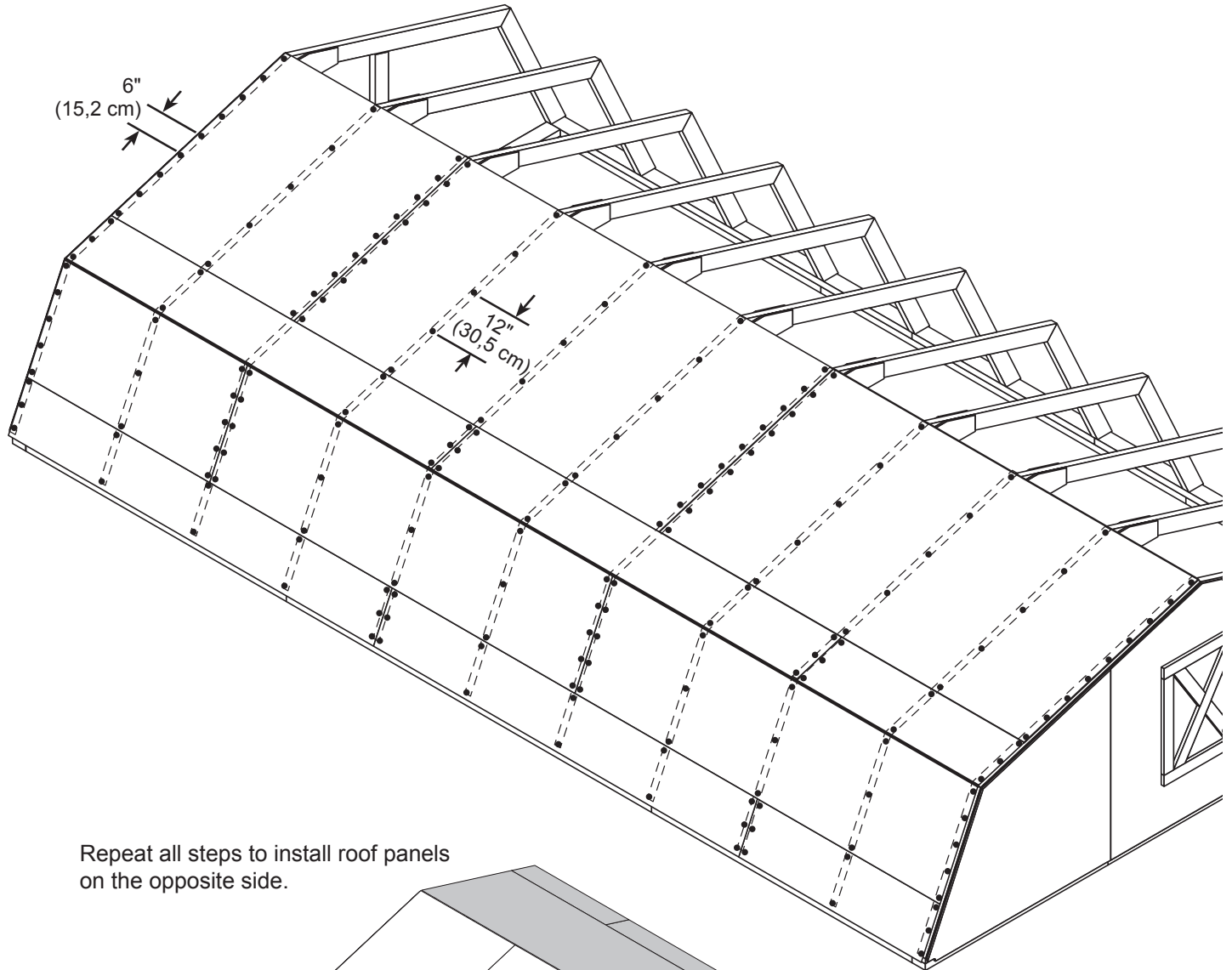


12' x 20' ROOF PANELS

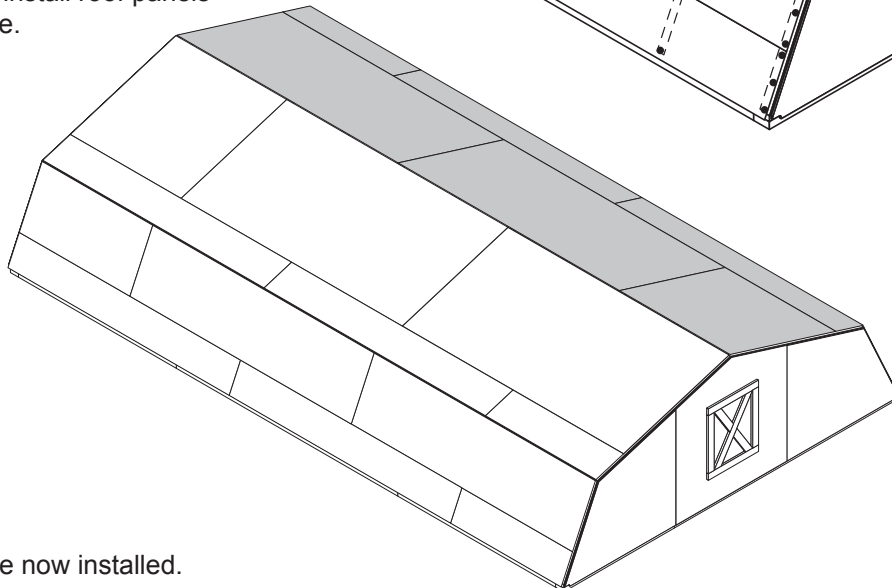
PARTS REQUIRED:



- Secure all roof panels with 2" nails spaced 6" apart and 12" apart inside panels.



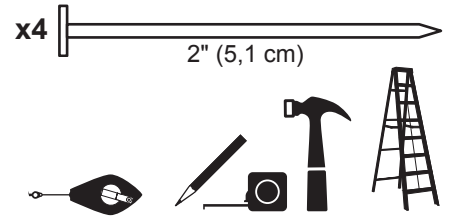
Repeat all steps to install roof panels on the opposite side.




Your roof panels are now installed.

12' x 24' ROOF PANELS

PARTS REQUIRED:

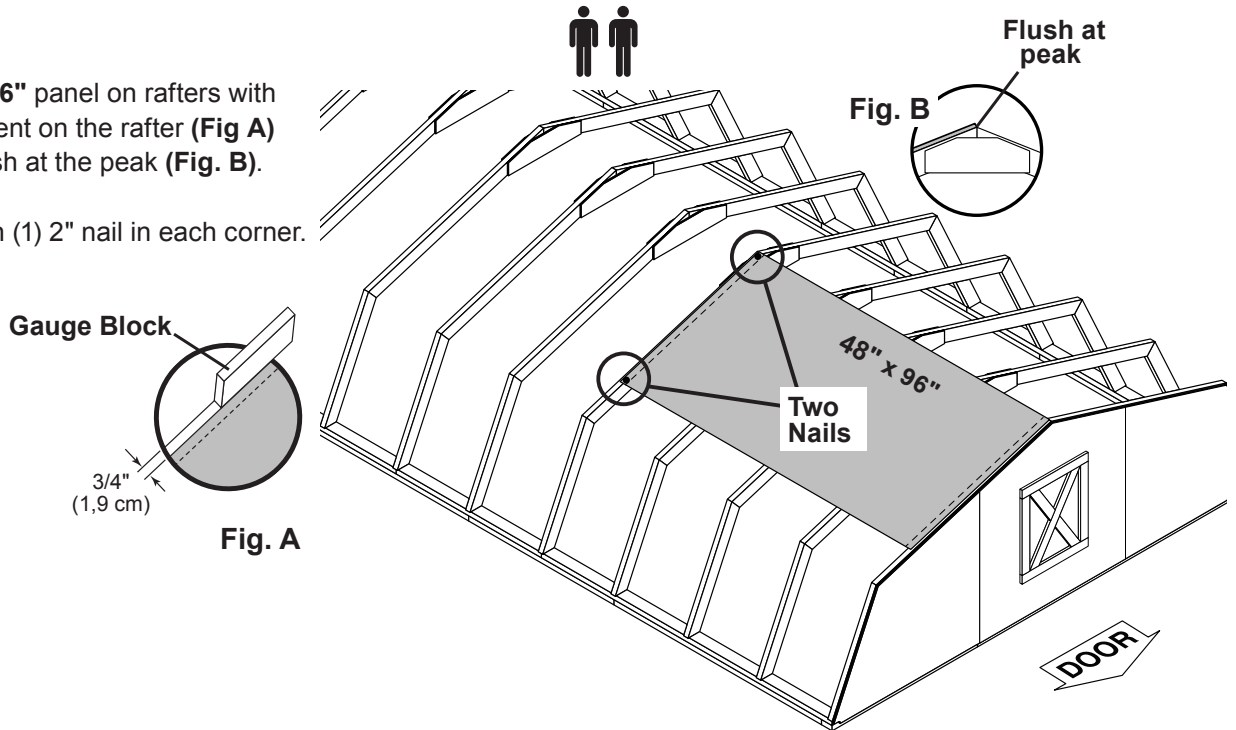


 **Roof panels may cause serious injury until securely fastened.**
Note: Install all roof panels with the rough side up (painted grid lines).

✓ **BEGIN**
1

Place the **48" x 96"** panel on rafters with a **3/4"** measurement on the rafter (**Fig A**) and the panel flush at the peak (**Fig. B**).

Secure panel with (1) 2" nail in each corner.

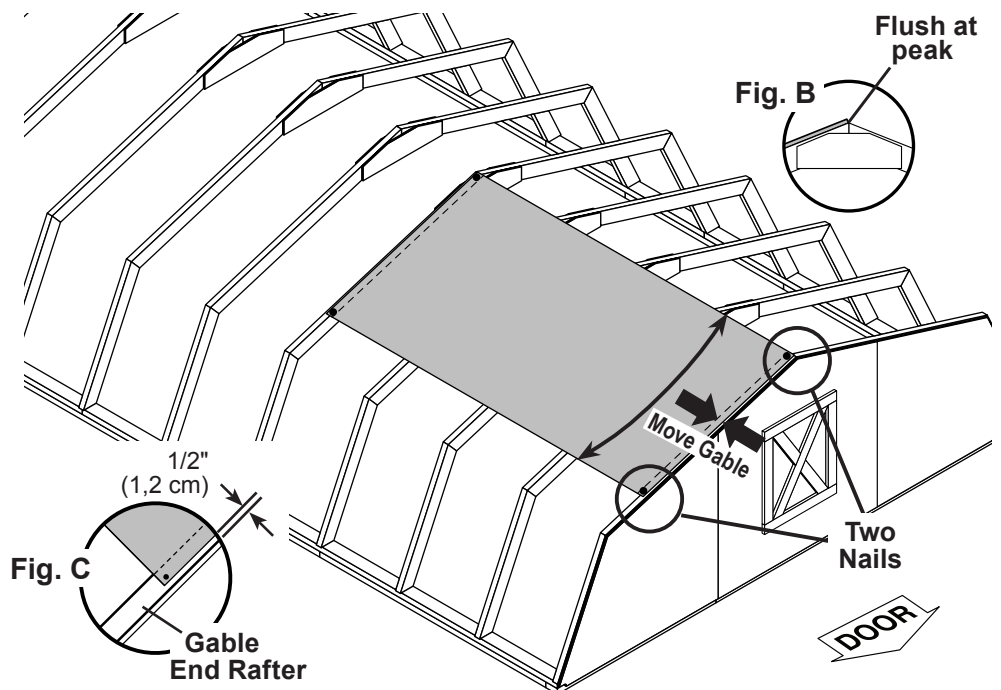


2

Move to the opposite end.
Using the long edge of the panel as a lever, move the panel side-to-side until the top corner is flush to the peak (**Fig. B**).

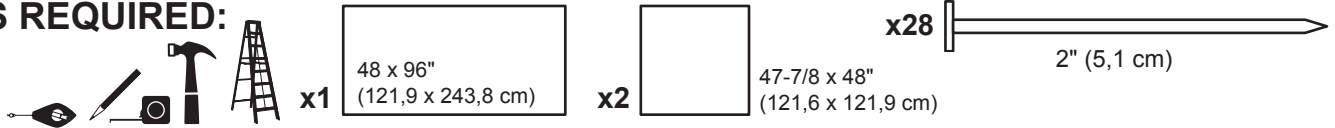
Move gable end rafter edge until it is 1/2" from the panel (**Fig. C**).

Secure panel with (1) 2" nail in each corner.



12' x 24' ROOF PANELS

PARTS REQUIRED:



3
Install 2nd 47-7/8" x 96" roof panel flush to the installed panel, and flush at the peak (Fig. B). Secure panel with (1) 2" nail in each corner.

Move to the opposite end. Using the unattached end of the panel as a lever, move the panel side-to-side until the top corner is flush to the peak (Fig. B) and there is a 3/4" measurement on the rafter (Fig A). Finish securing panel with (1) 2" nail in each corner.

4
Install 47-7/8" x 48" roof panel flush to the installed panel and flush at the peak (Fig. B). Secure panel with (1) 2" nail in each corner.

Move to the opposite end. Using the unattached end of the panel as a lever, move the panel side-to-side until the top corner is flush to the peak (Fig. B) and there is a 3/4" measurement on the rafter (Fig A). Finish securing panel with (1) 2" nail in each corner.

5
Install 47-7/8" x 48" roof panel flush to the installed panel and flush at the peak (Fig. B). Secure panel with (1) 2" nail in each corner.

Move gable end rafter edge until it is 1/2" from the 2nd 48" x 48" roof panel (Fig. C). Finish securing panel with (1) 2" nail in each corner.

6
Maintain spacing between the center of the rafters at the lower edge of the panels (Fig. D). Secure panels with (1) 2" nail into each rafter, as shown. Move to the top of the panel and keep spacing between the center of the rafters. Secure panels with (1) 2" nail into each rafter.

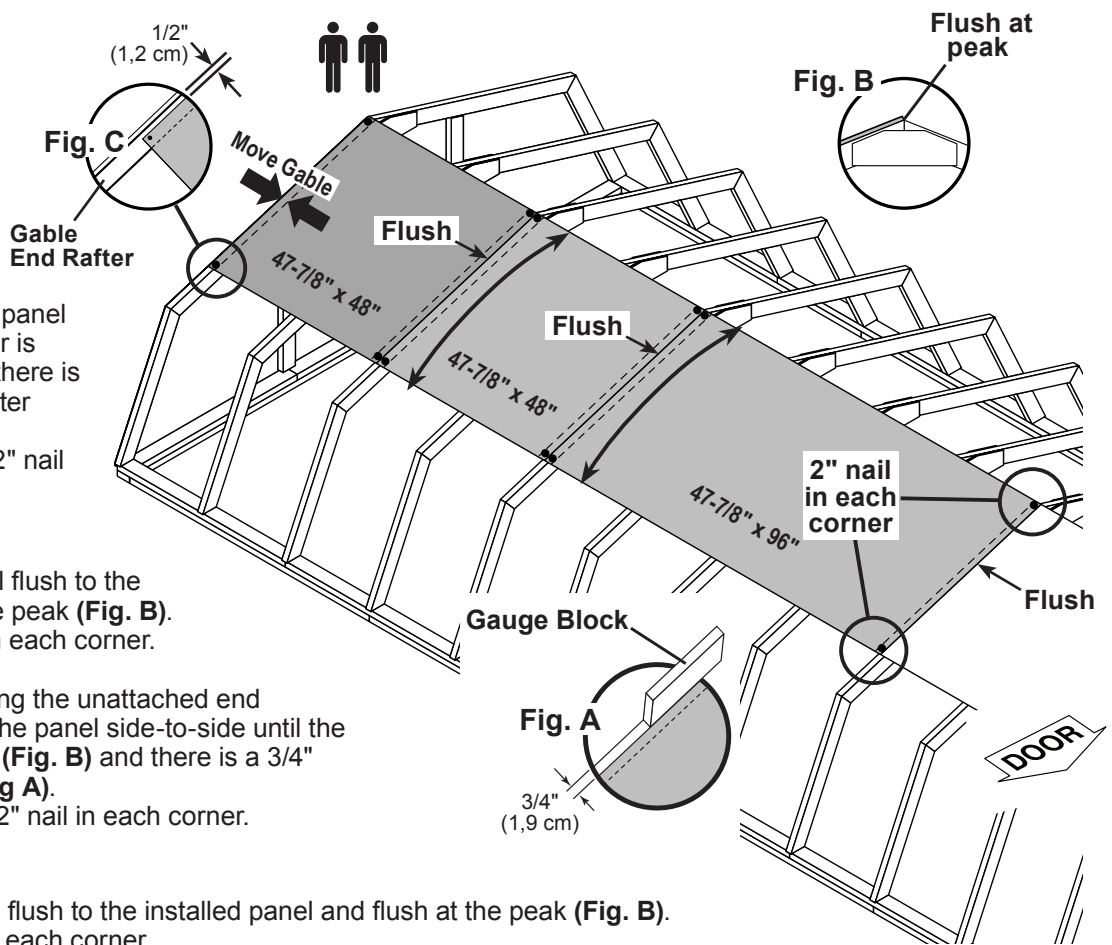
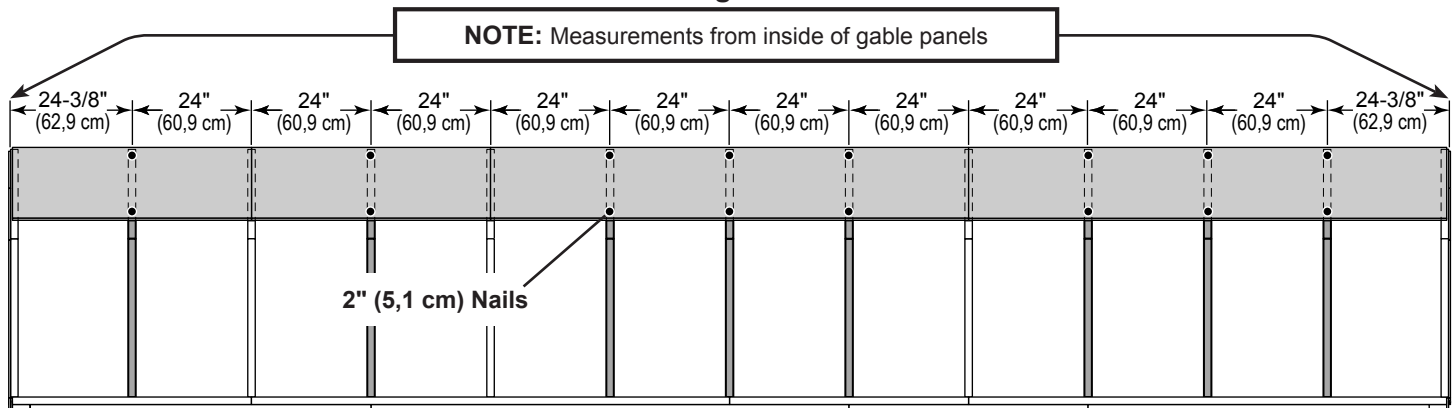


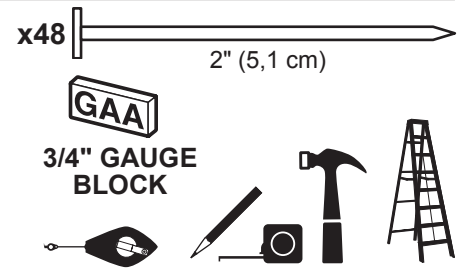
Fig. D



12' x 24' ROOF PANELS

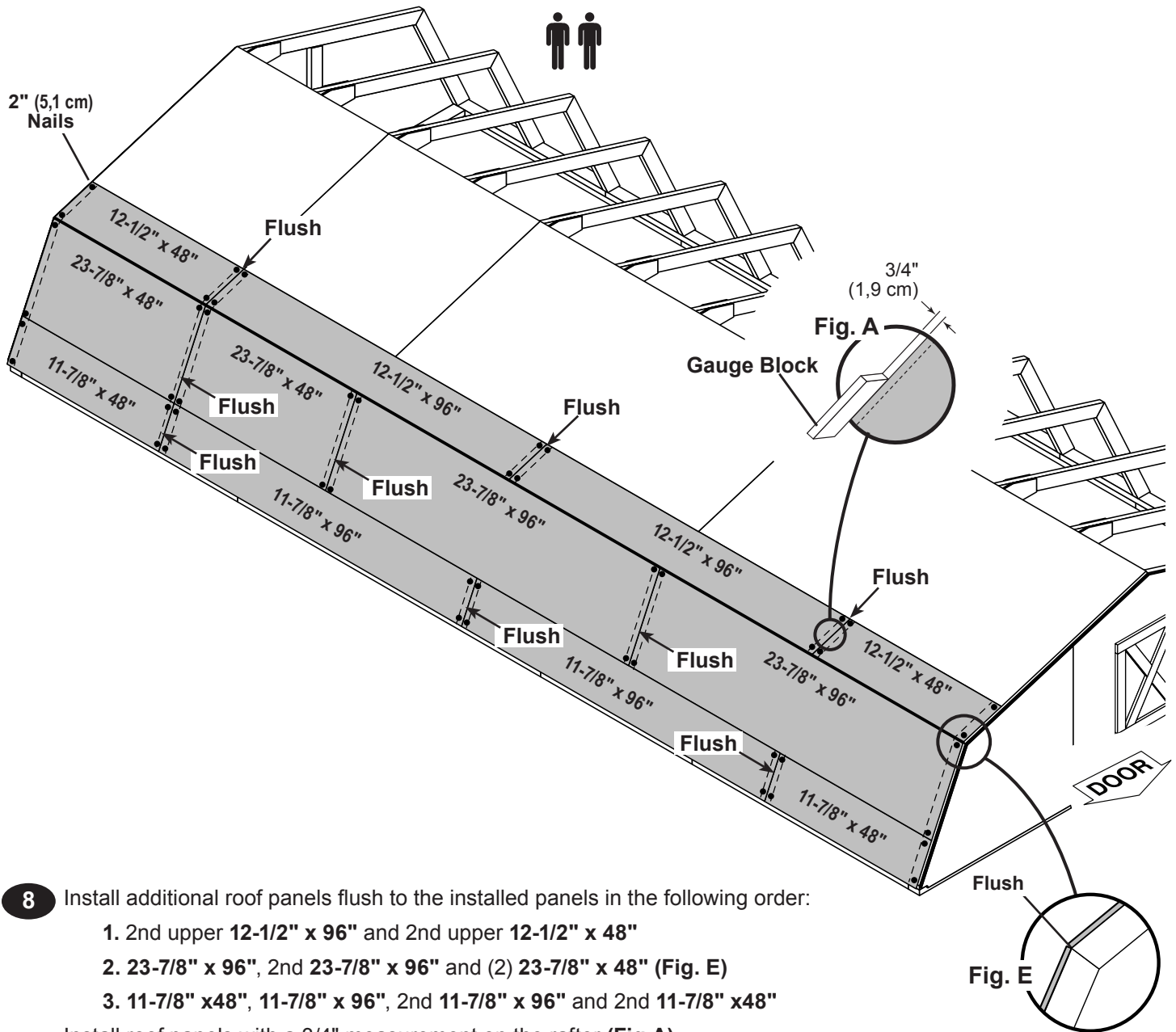
PARTS REQUIRED:

x1		x2		x1	
	23-7/8" x 96" (60,6 x 243,8 cm)		23-7/8" x 48" (60,6 x 121,9 cm)		12-1/2" x 96" (31,8a cm x 243,8 cm)
x1		x2		x2	
	11-7/8" x 96" (30,2 cm x 243,8 cm)		11-7/8" x 48" (30,2 cm x 121,9 cm)		12-1/2" x 48" (31,8 cm x 121,9cm)



7 Install front 12-1/2" x 48" and 12-1/2" x 96" roof panels with a 3/4" measurement on the rafter (Fig A), and flush to the installed panels (Fig. E).

Secure panels with (1) 2" nail in each corner.



8 Install additional roof panels flush to the installed panels in the following order:

1. 2nd upper 12-1/2" x 96" and 2nd upper 12-1/2" x 48"
2. 23-7/8" x 96", 2nd 23-7/8" x 96" and (2) 23-7/8" x 48" (Fig. E)
3. 11-7/8" x 48", 11-7/8" x 96", 2nd 11-7/8" x 96" and 2nd 11-7/8" x 48"

Install roof panels with a 3/4" measurement on the rafter (Fig A).

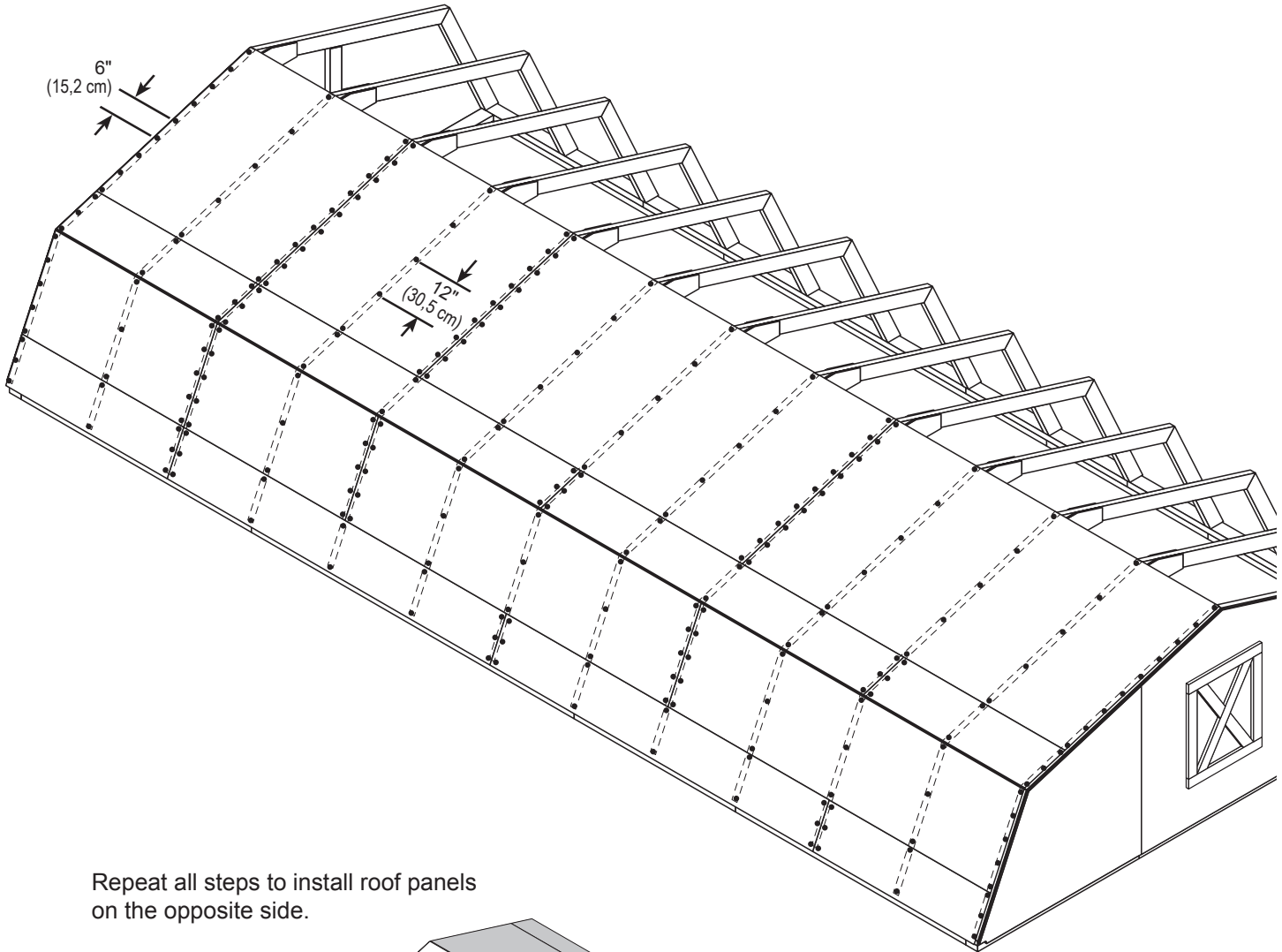
Secure panels with (1) 2" nail in each corner.

12' x 24' ROOF PANELS

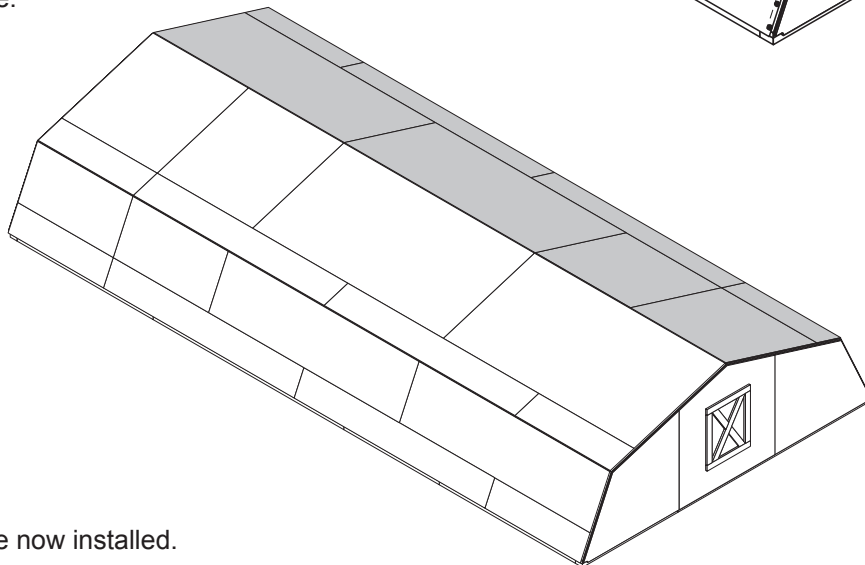
PARTS REQUIRED:



- 9** Secure all roof panels with 2" nails spaced 6" apart and 12" apart inside panels.



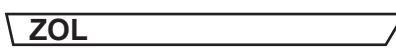
Repeat all steps to install roof panels on the opposite side.

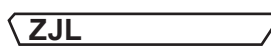


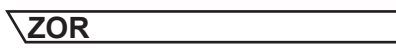
Your roof panels are now installed.

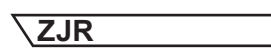
GABLE TRIM

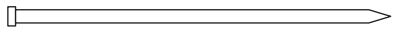
PARTS REQUIRED:

x2 **ZOL**  5/8 x 4 x 60-7/8"
(1,6 x 10 x 154,6 cm)

x2 **ZJL**  5/8 x 4 x 36"
(1,6 x 10 x 91 cm)

x2 **ZOR**  5/8 x 4 x 60-7/8"
(1,6 x 10 x 154,6 cm)

x2 **ZJR**  5/8 x 4 x 36"
(1,6 x 10 x 91 cm)

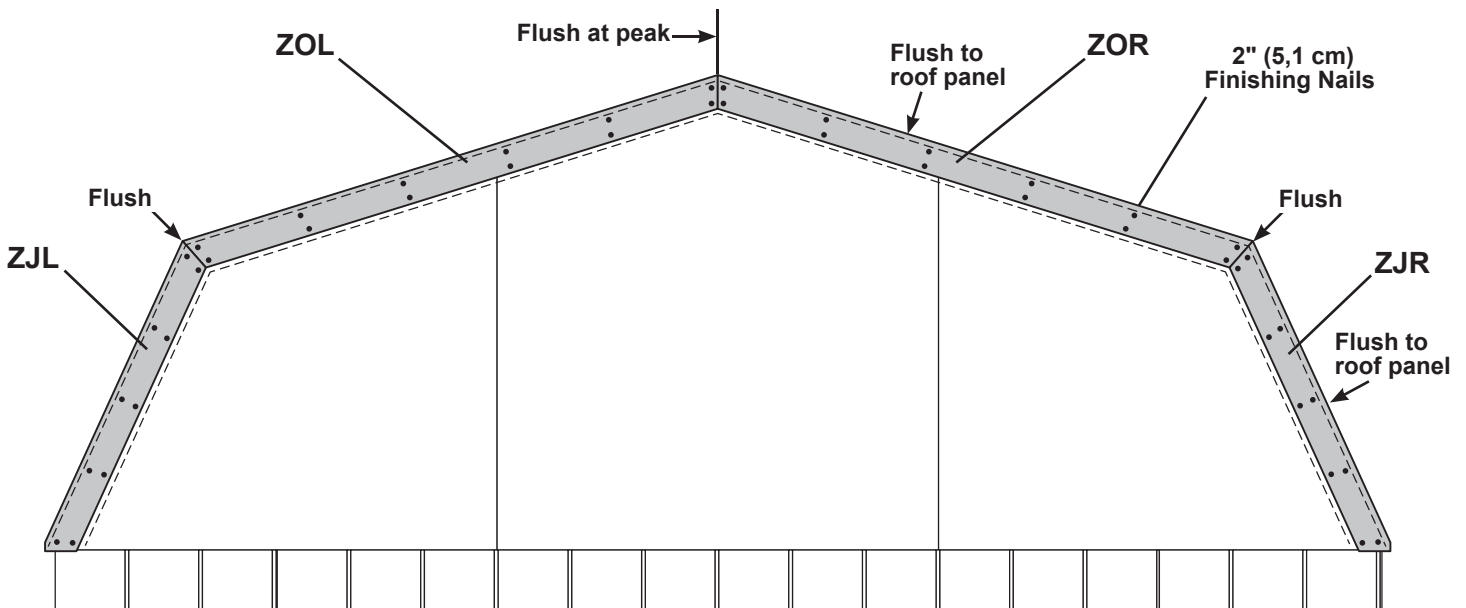
x88  2" (5,1 cm)



✓ BEGIN

1 Install upper gable trim **ZOR** and **ZOL** flush to top of roof panels and flush at peak.
Secure trim with 2" finish nails evenly spaced, as shown.

2 Install lower gable trim **ZJR** and **ZJL** flush to top of roof panels and flush to installed trim.
Secure trim with 2" finish nails evenly spaced, as shown.




Repeat steps to install trim to the opposite gable.

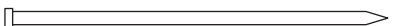


Your gable trim is now installed.

CORNER TRIM

PARTS REQUIRED:

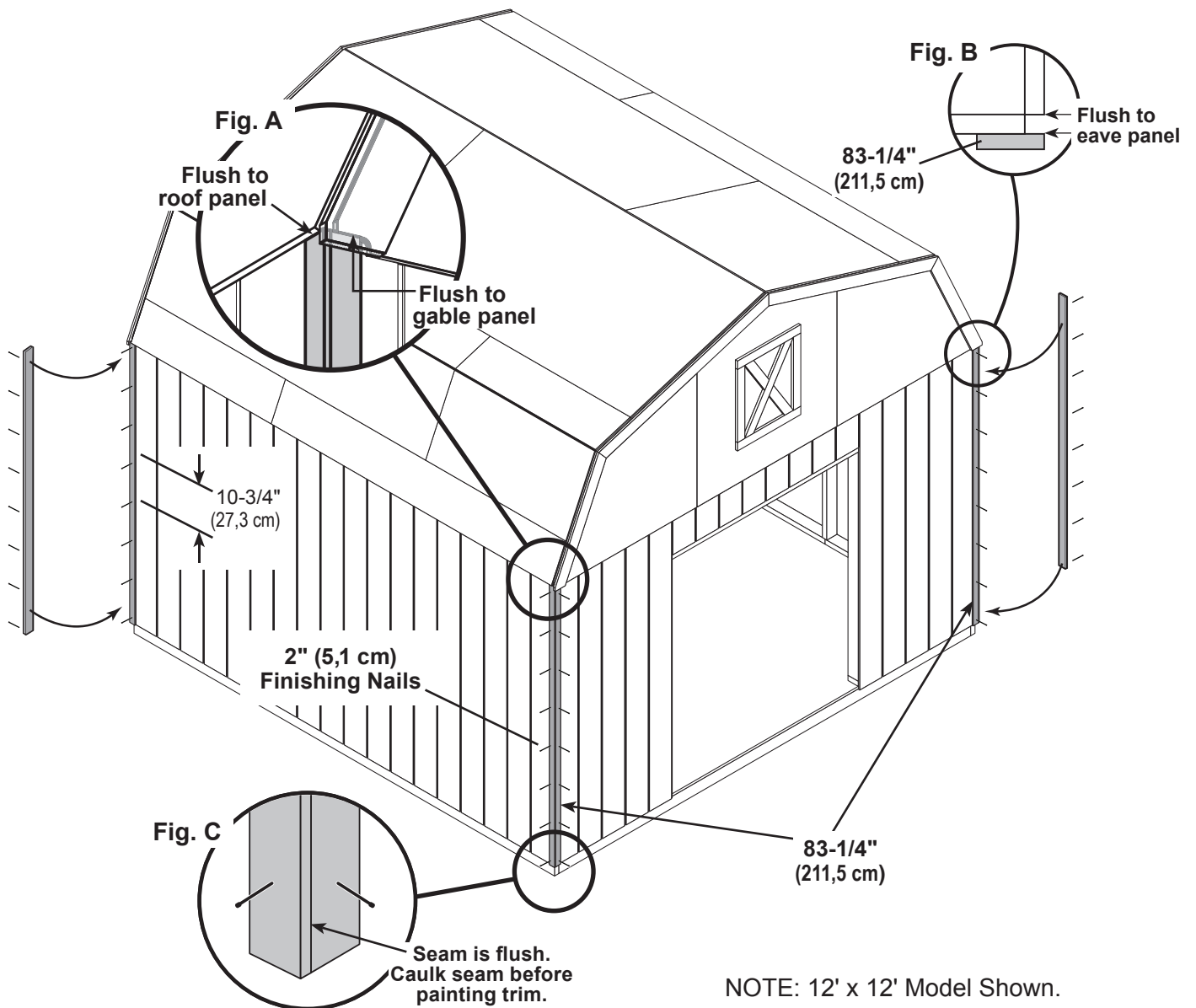
x8 
 3/8" x 1-3/4" x 83-1/4" (1 x 4,5 x 211,5 cm)

x64  2" (5,1 cm)



✓ **BEGIN**

- 1 Install gable end **83-1/4"** corner trim under gable panel, (**Fig. A**) and flush to eave wall panel (**Fig. B**). Secure with 2" finishing nails spaced evenly.
- 2 Install eave side **83-1/4"** corner trim flush to eave soffit and flush along seam of installed corner trim (**Fig. C**). Secure with 2" finishing nails spaced evenly.



Repeat STEPS 1 - 2 for each corner of shed.



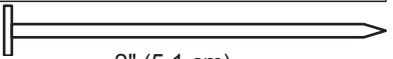
Your corner trim is now installed.

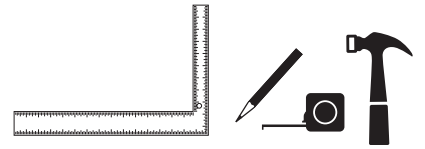
COLLAR TIE

PARTS REQUIRED:

x2 **SX**
2 x 4 x 60" (5,1 x 10,2 x 152,4 cm)

x2 **OSB**
7/16 x 3-1/2 x 24" (1,1 x 8,9 x 61 cm)

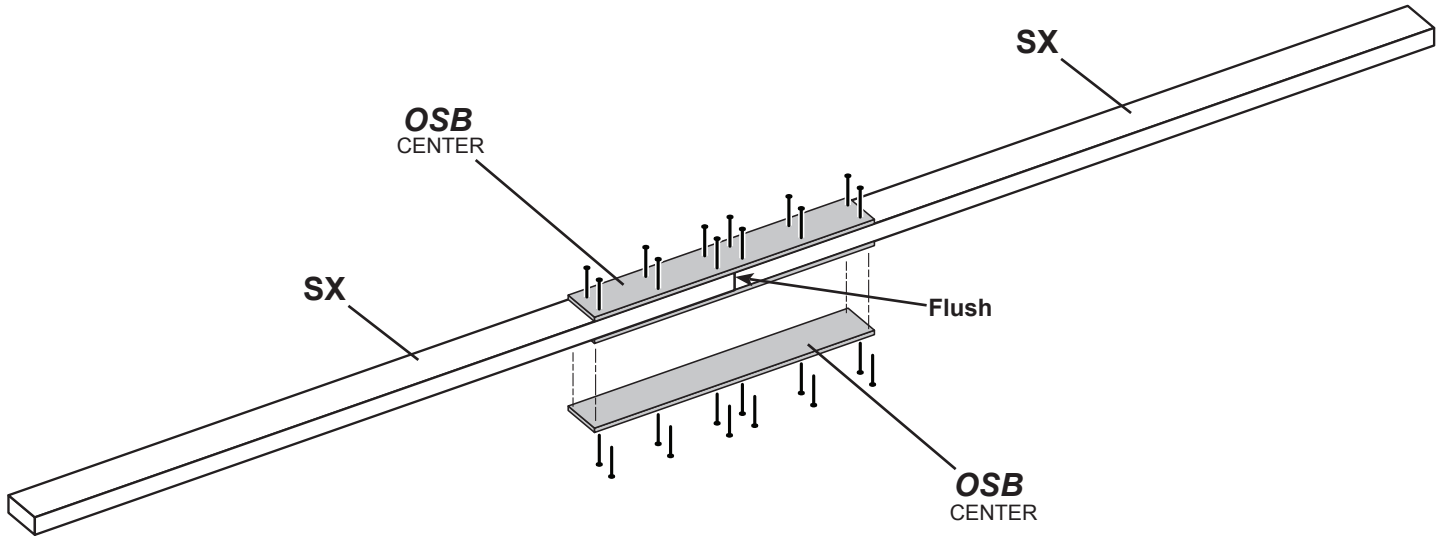
x24 
2" (5,1 cm)



✓ BEGIN

- 1 Arrange (2) **SX** end-to-end on flat surface, flush in middle.
Center collar tie gusset **OSB** on top of **SX** boards.

Fasten together with 2" nails in the pattern shown.
- 2 Flip collar tie assembly over and nail as shown on the other side.



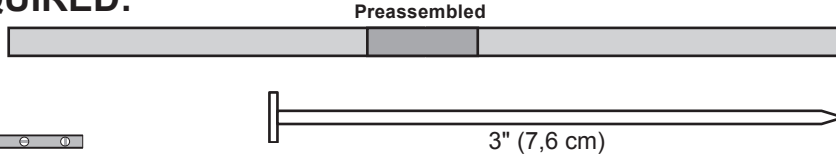
- 3 Build more collar ties for the building sizes listed:
12' x 12' = x2
12' x 16' = x3
12' x 20' = x4
12' x 24' = x5



FINISH
Your collar tie is now assembled.

COLLAR TIE INSTALLATION

PARTS REQUIRED:



12x12'	12x16'	12x20'	12x24'
x2	x3	x4	x5
x12	x18	x24	x30

✓ BEGIN



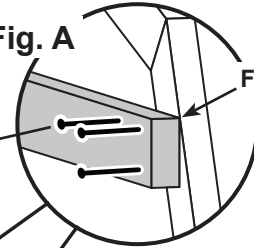
- 1 Install collar tie to the rafter with (3) 3" nails at each end (Fig. A).

Starting at the wall with the door, install first collar tie on the 2nd rafter from the wall and then on **every other** rafter, as shown.

Fig. A

3" (7,6 cm) Nails

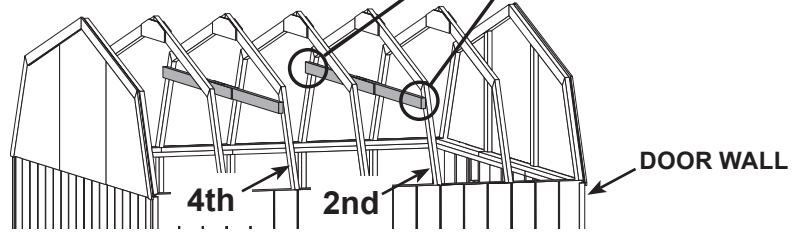
Flush to roof panel



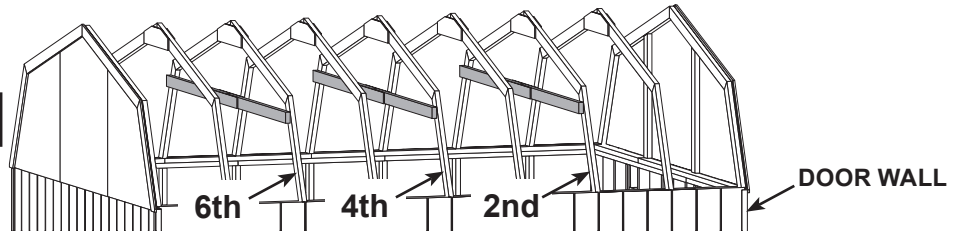
HINT:

For best appearance, install collar ties on back side of rafter.

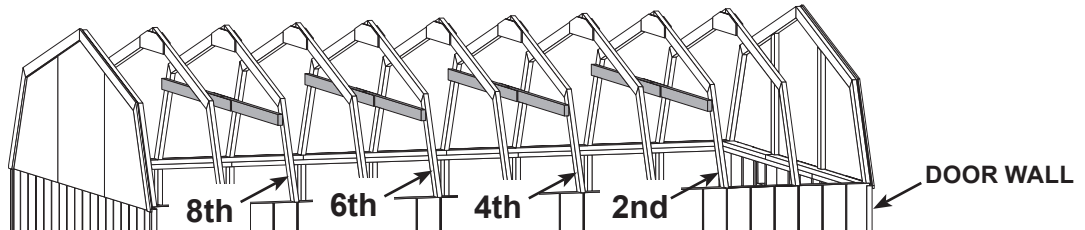
12' x 12'



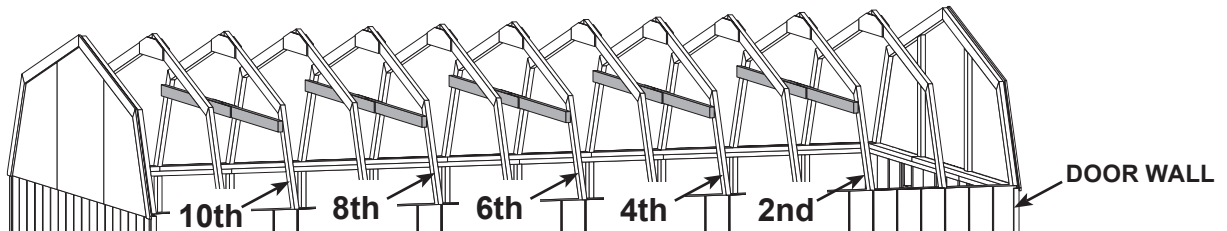
12' x 16'



12' x 20'



12' x 24'

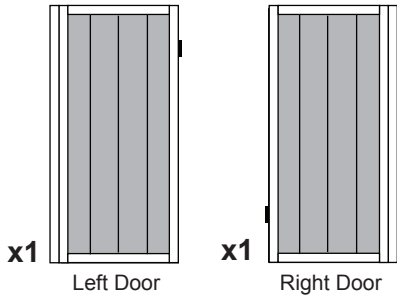


FINISH

Your collar tie(s) are now installed.

DOORS

PARTS REQUIRED:

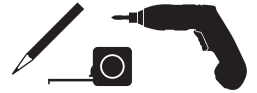


x1 **GAA**
1 x 3 x 5" (2,5 x 7,6 x 12,7 cm)

x1 **OO**
69" (175,3 cm) Door Stiffener

x4 3" (7,6 cm)

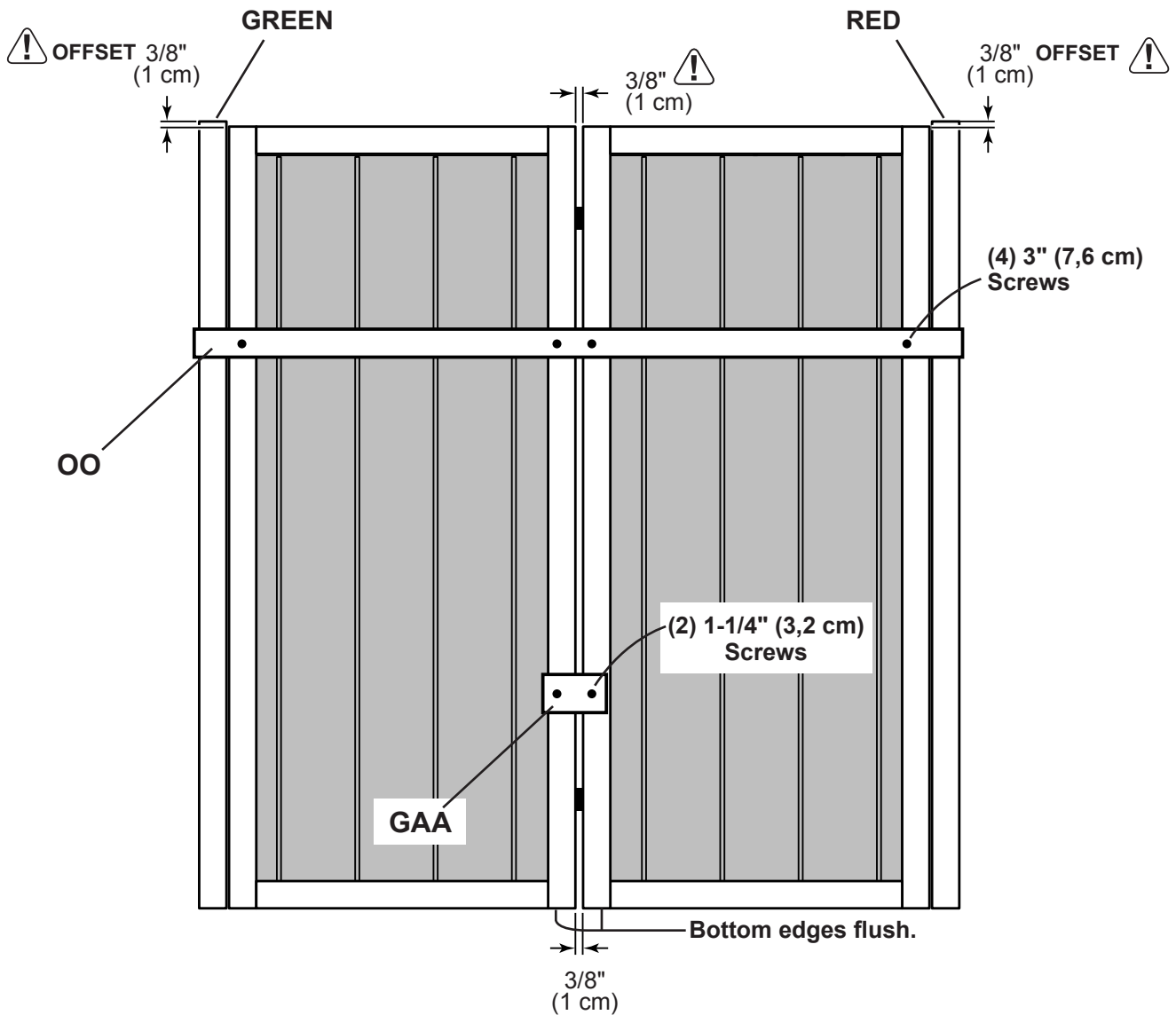
x2 1-1/4" (3,2 cm)



✓ BEGIN

- 1 Place doors on flat surface. **3/8" offset is to top.**
Look for red (right) and green (left) on hinge board.


Attach temporary supports **OO** and **GAA** as shown.

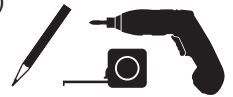


DOORS

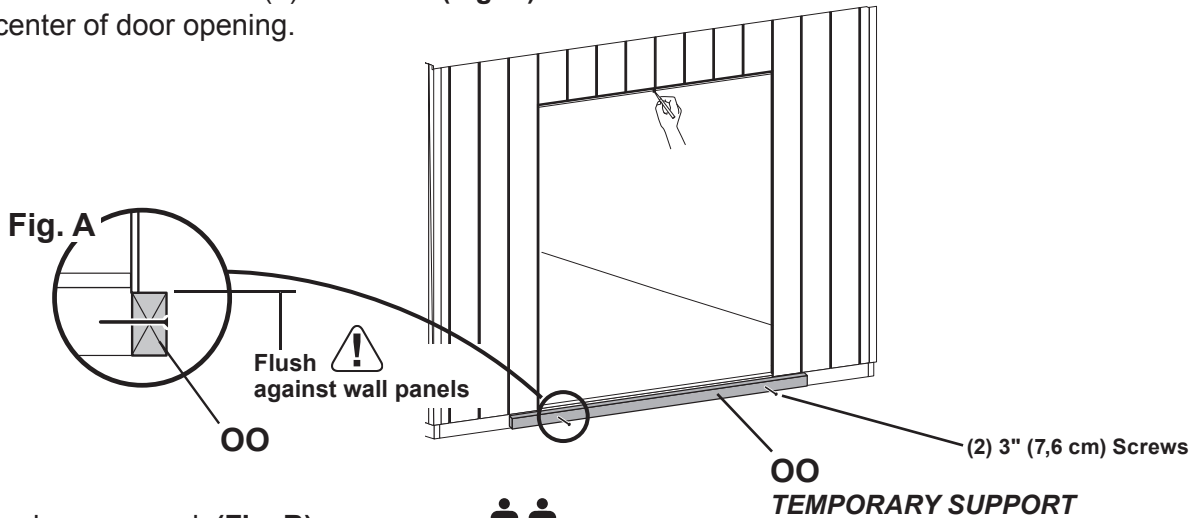
PARTS REQUIRED:


x1 **OO** TEMPORARY SUPPORT
69" (175,3 cm) Door Stiffener

x12  3" (7,6 cm)

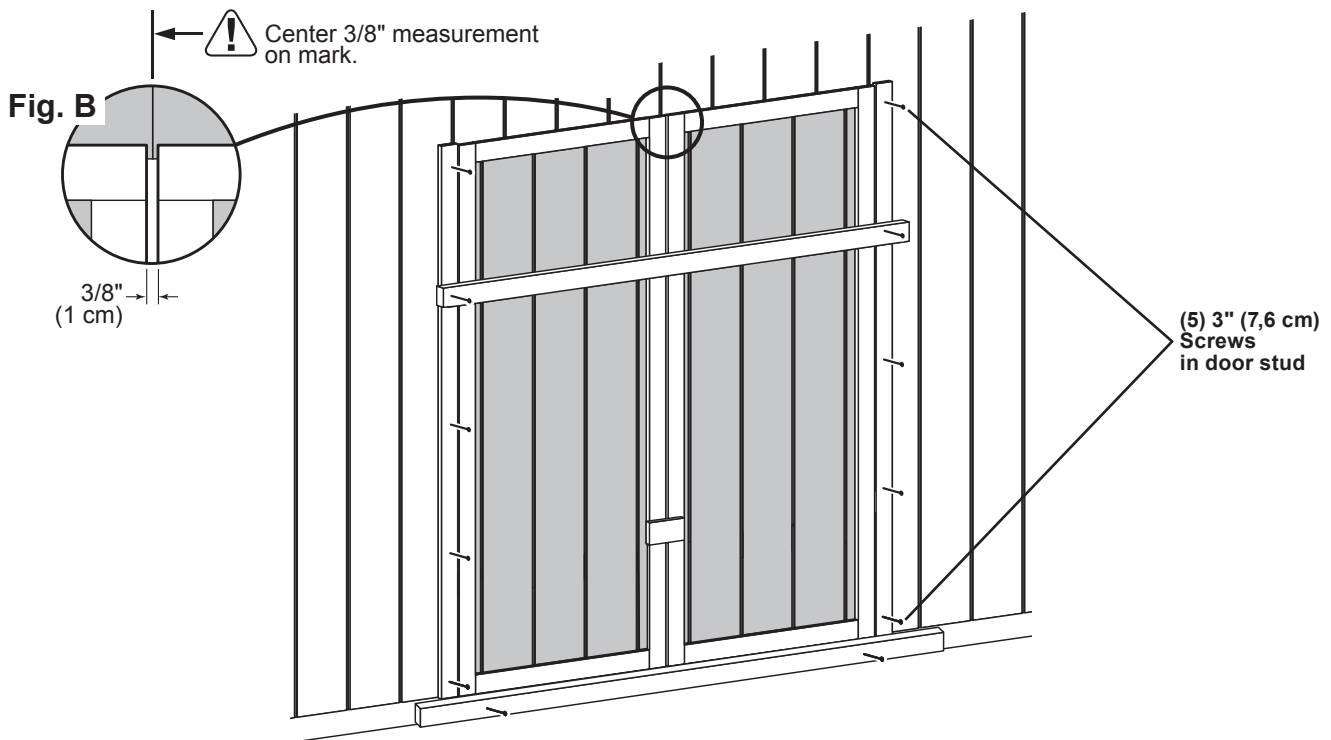


- Install **OO** flush under panels.
Secure to floor frame with (2) 3" screws (**Fig. A**).
Mark center of door opening.



- Center doors on mark (**Fig. B**). 

- Screw hinge boards into wall supports with (10) 3" screws, as shown.
 **Make sure screws go into framing.**



Remove temporary supports and check to make sure doors open and close properly.



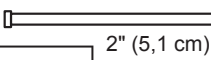
Your doors are now installed.

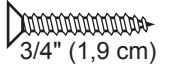
DOORS

PARTS REQUIRED:

x2 **AH**
19/32" x 2-1/2" x 26 5/8" (1,5 x 6,3 x 67,6 cm)

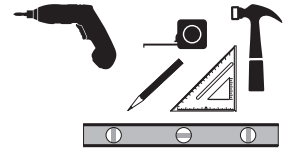
x1 **ZJ**
19/32" x 2-1/2" x 72" (1,5 x 7,6 x 182,9 cm)

x7  2" (5,1 cm)

x72  3/4" (1,9 cm)

x2 **MDR**
19/32" x 2-1/2" x 39-7/8" (1,5 x 6,3 x 101,3 cm)

x2 **MDL**
19/32" x 2-1/2" x 39-7/8" (1,5 x 6,3 x 101,3 cm)

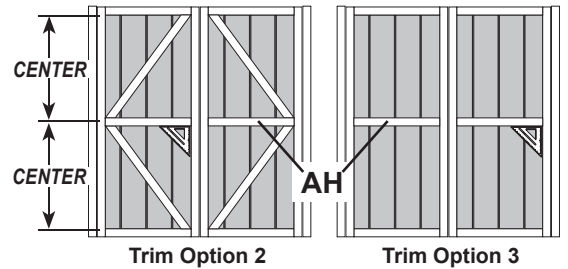


BEGIN

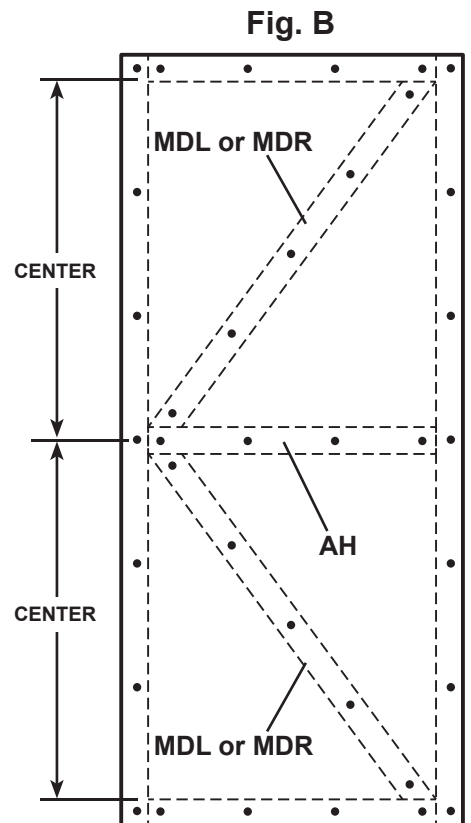
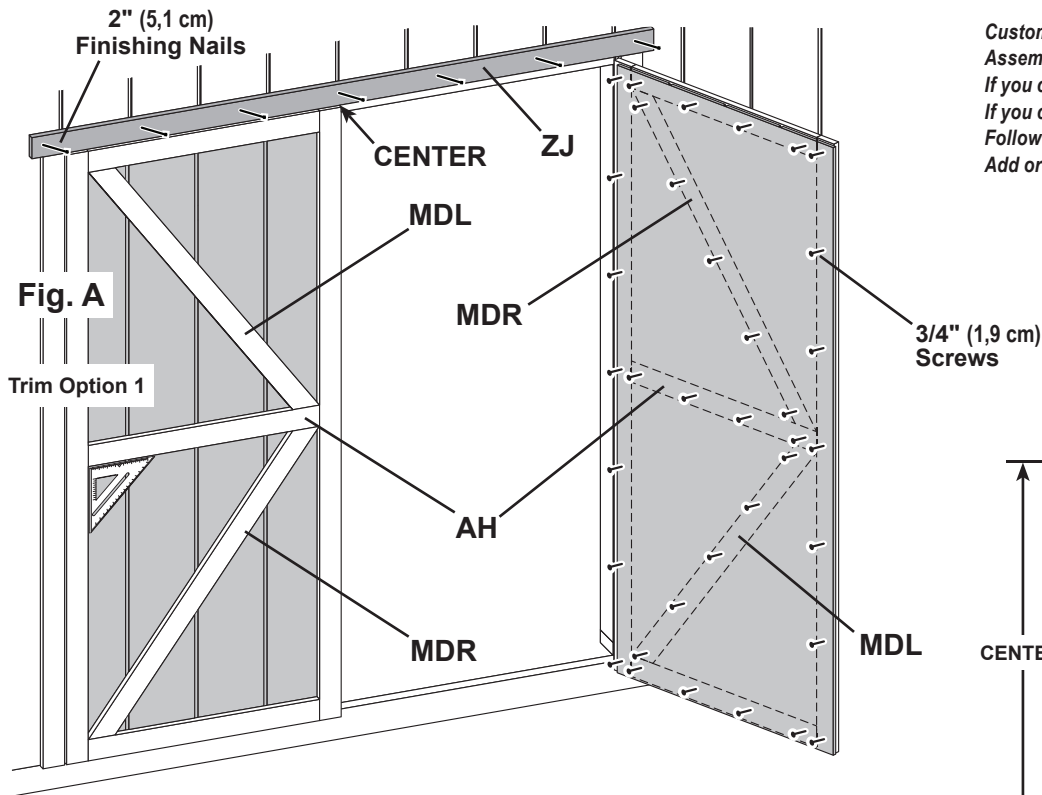
You have 3 options for door trim, see Fig. C.

Fig. C

- 1 Arrange trim **AH**, **MDL** and **MDR** as shown. Square **AH** before fastening. Fasten trim to each door from inside with 3/4" screws (Fig. A, Fig B).
- 2 Center trim **ZJ** over doors and secure with (7) 2" finishing nails into framing, as shown.



Customize your door trim; use 1 of 3 options: Assembly for Option 1 is shown in Fig. A. If you choose Option 2, reverse MDL and MDR. If you choose Option 3, center AH horizontally. Follow steps 1, 2 and 3. Add or subtract more screws as needed.

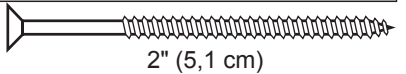


Your door trim is now installed.

DOOR STIFFENERS

PARTS REQUIRED:

x2 **OO**
69" (175,3 cm) Door Stiffener

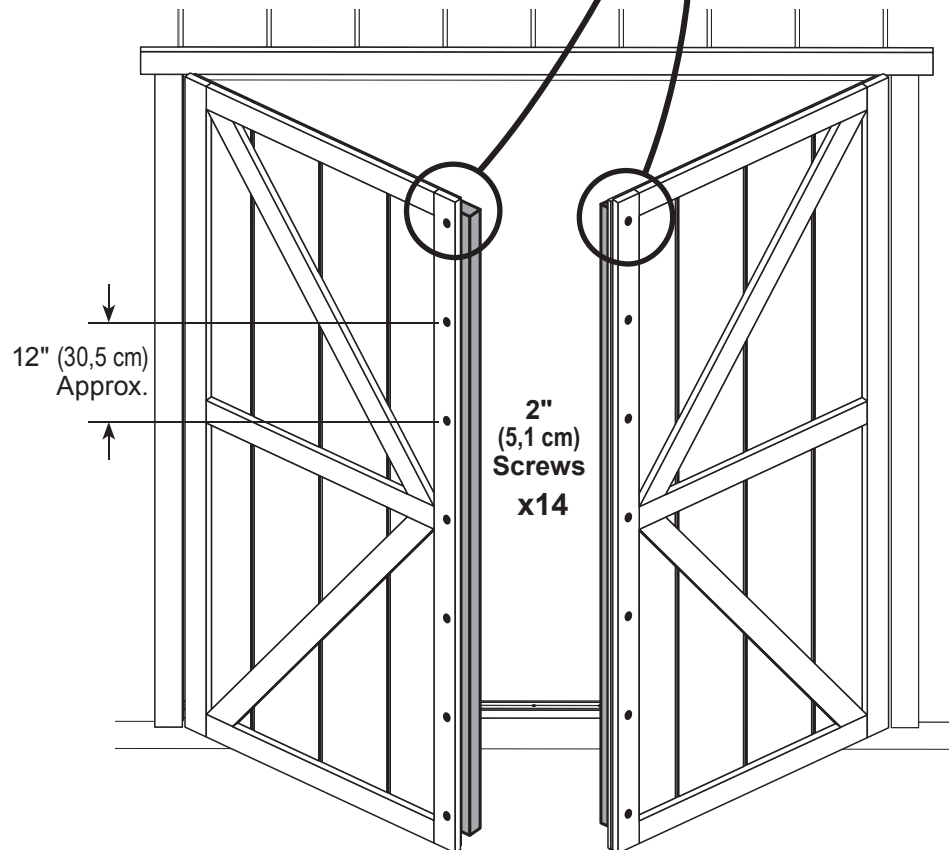
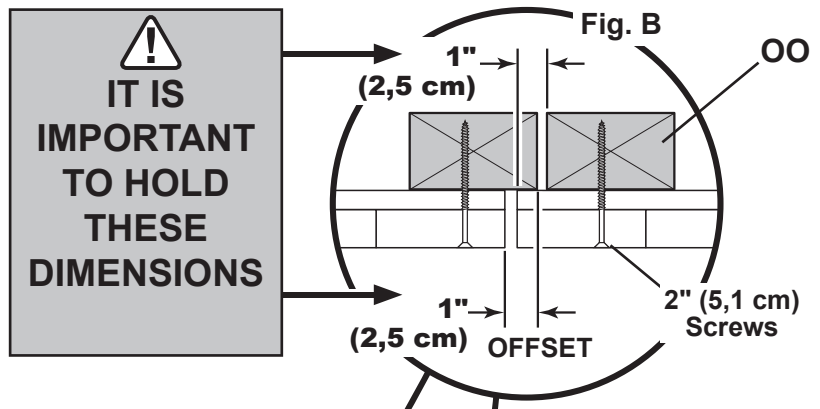
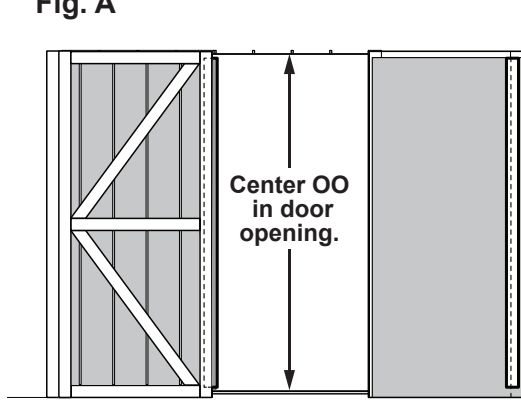
x14 
2" (5,1 cm)



✓ BEGIN

- 1 Center **OO** vertically on the left door in the doorway (**Fig. A**) overlapping 1" (2,5 cm) along the edge of door (**Fig. B**).
Secure with (7) 2" screws through outside trim into **OO**.
- 2 Center **OO** vertically on the right door in the door opening offset 1" (2,5 cm) from the edge of door (**Fig. B**).
Secure with (7) 2" screws through outside trim into **OO**.

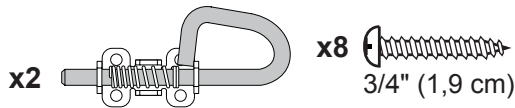
Fig. A



Your door stiffeners are now installed.

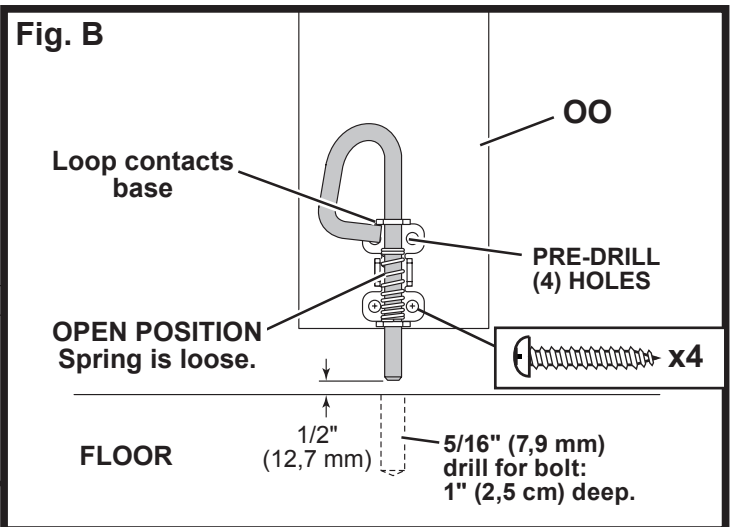
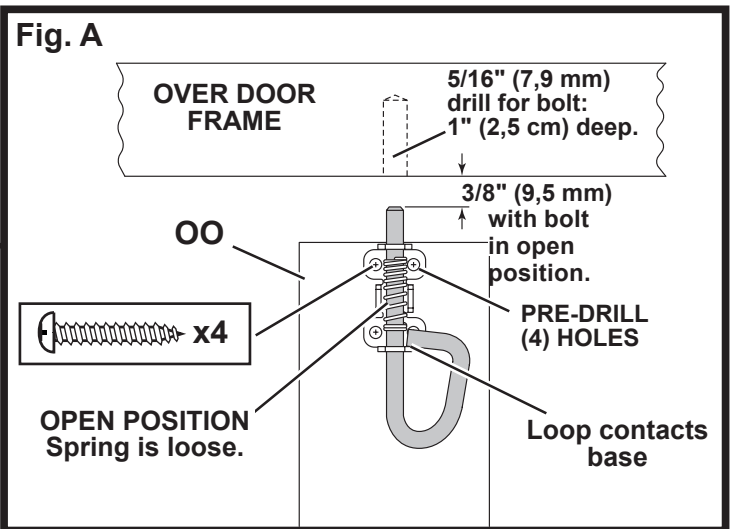
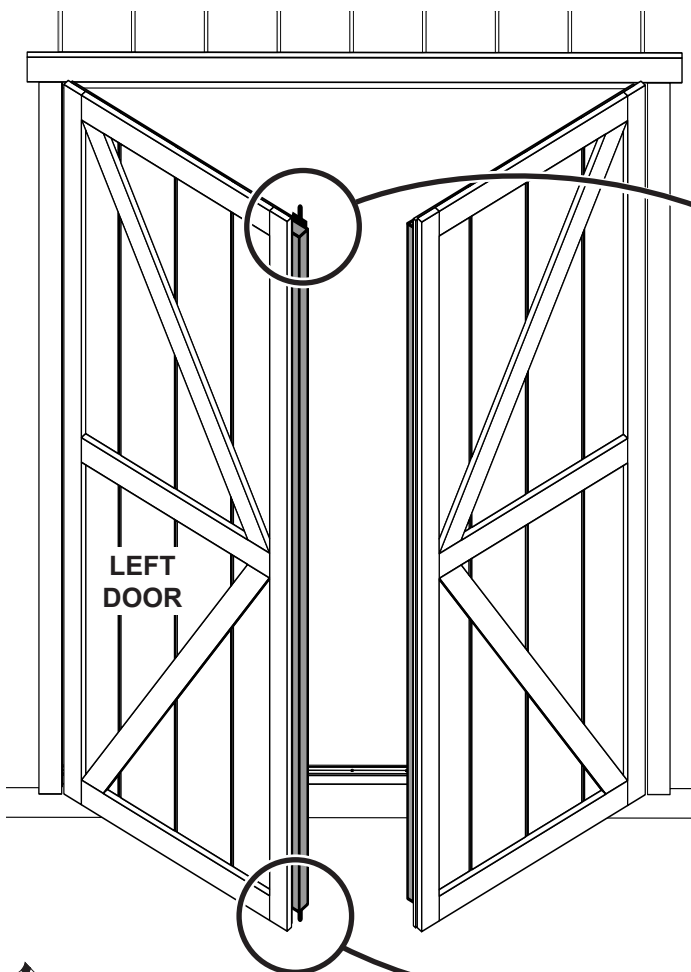
DOOR HARDWARE

PARTS REQUIRED:



✓ BEGIN

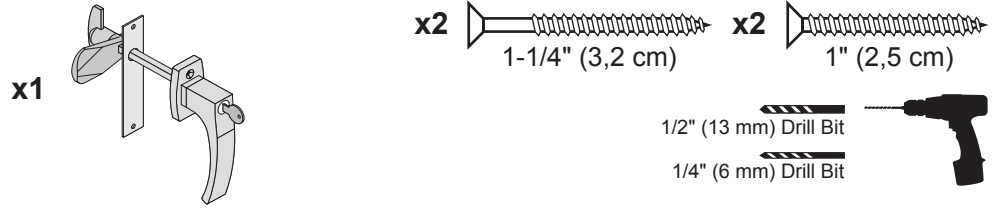
- 1 Place bolt on **OO** in open position with bolt end 3/8" (9,5 mm) down from frame. Bolt is open when loop is contacting base (**Fig A**).
- 2 Mark and pre-drill holes for screws. Install bolt with screws supplied.
Drill 5/16" (7,9 mm) hole deep enough for bolt to slide into.
- 3 Place bolt on **OO** in open position with bolt end 1/2" (12,7 mm) up from floor. Bolt is open when loop is connecting base (**Fig. B**).
- 4 Mark and pre-drill holes for screws. Install bolt with screws supplied.
Drill 5/16" (7,9 mm) hole deep enough for bolt to slide into.



Your spring bolts are now installed.

DOOR HARDWARE

PARTS REQUIRED:



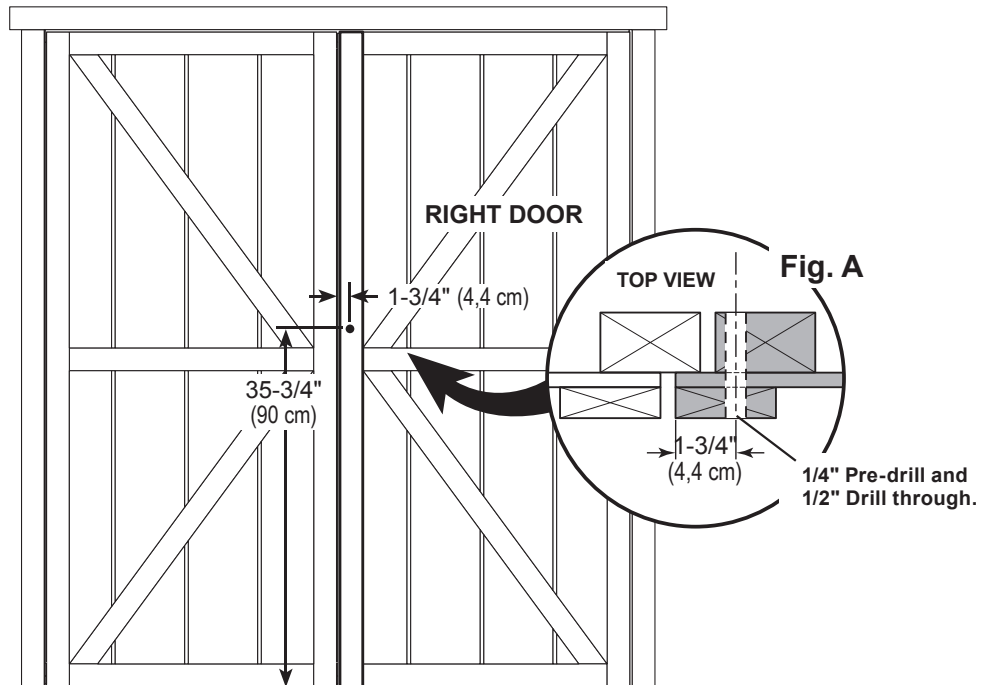
✓ BEGIN

- 1 Measure and mark location of hole on outside of right door as shown (Fig. A).
Pre-drill hole with 1/4" drill.

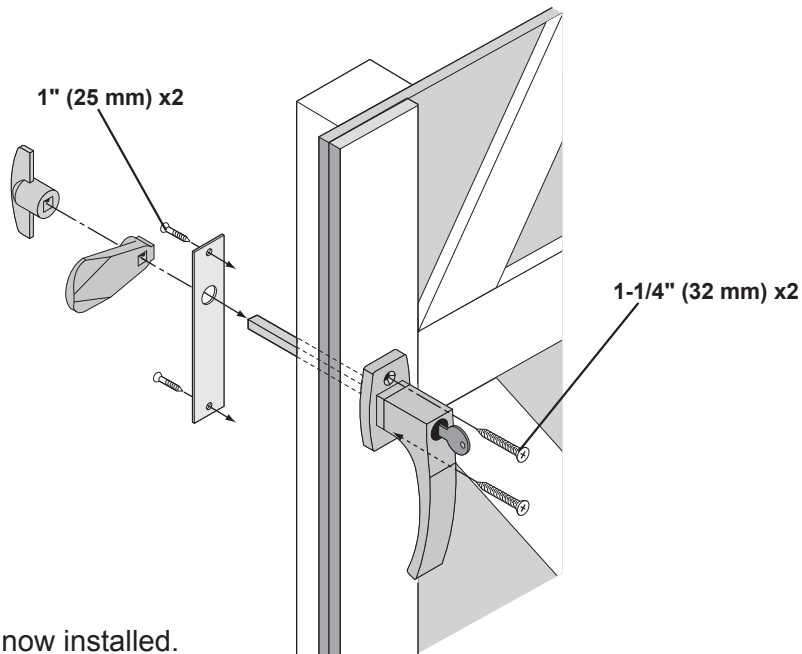
Re-drill hole with 1/2" drill.



Keep drilled hole square to trim to avoid breaking edge of door stiffener.



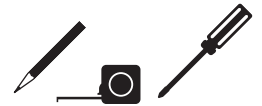
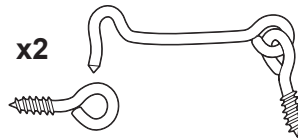
- 2 Secure backplate with 1" screws and handle with 1-1/4" screws as shown.



Your door handle is now installed.

HOOK & EYE

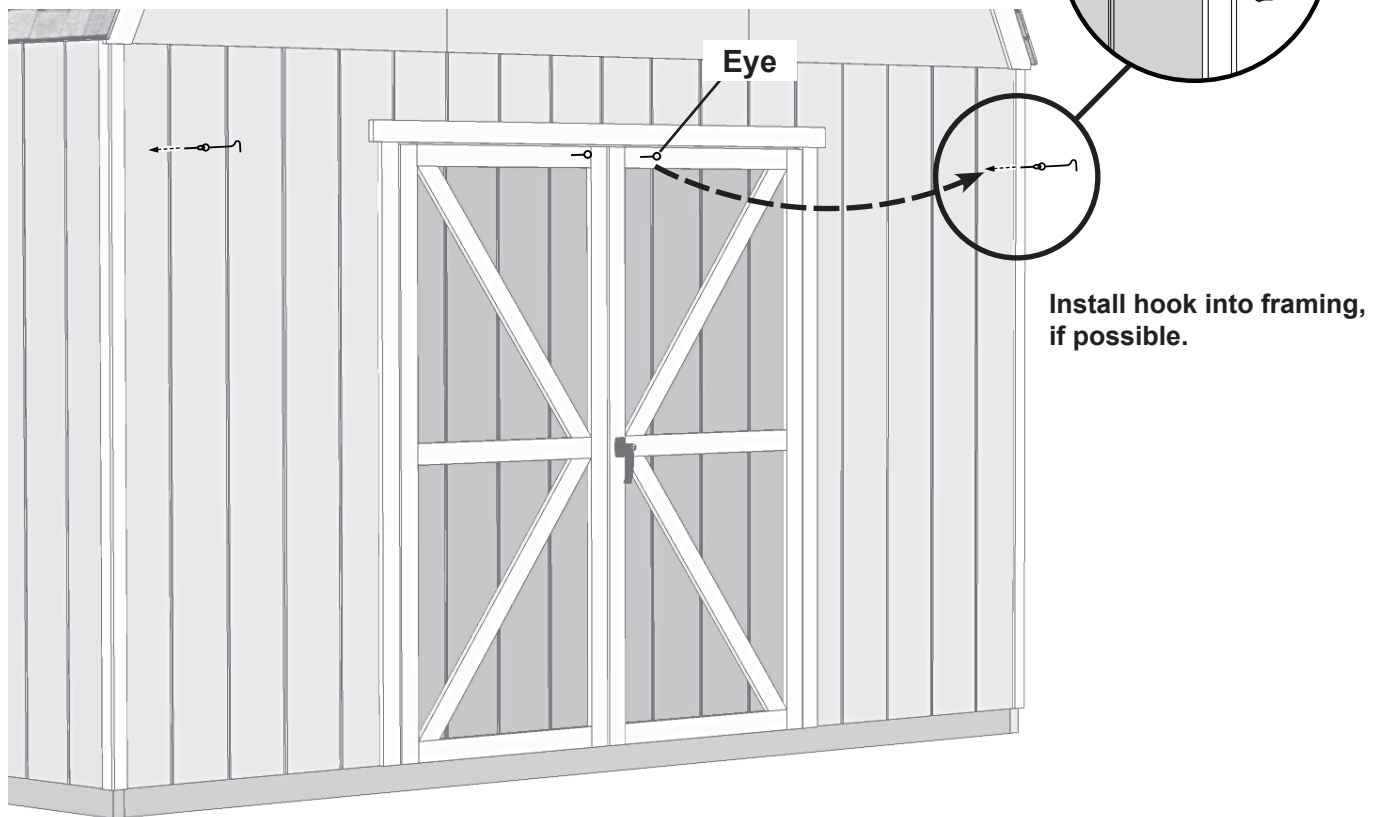
PARTS REQUIRED:



✓ **BEGIN**

1 Install hooks in wall and into framing behind (**Fig.A**).

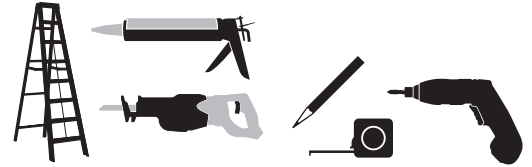
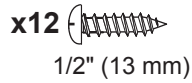
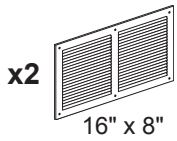
2 Swing door open to locate eye.



You have installed your hook & eyes.

VENT (Not included in kit.)

• Follow directions provided by manufacturer and these instructions.



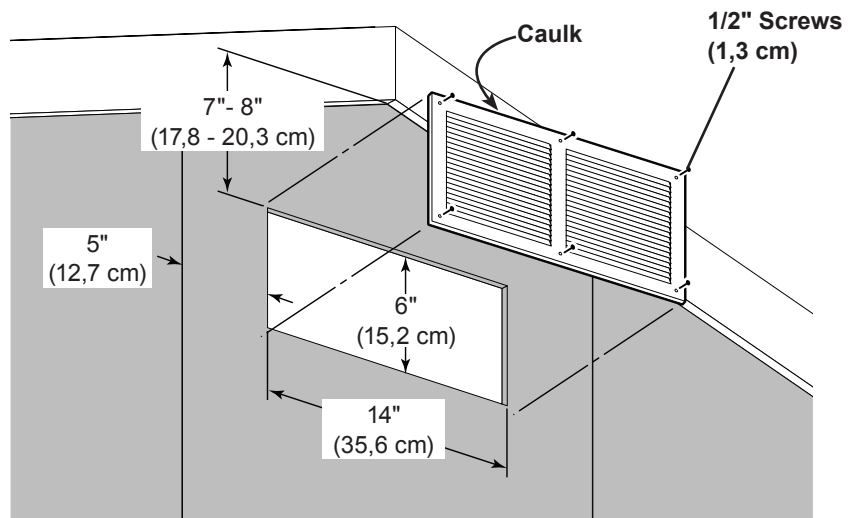
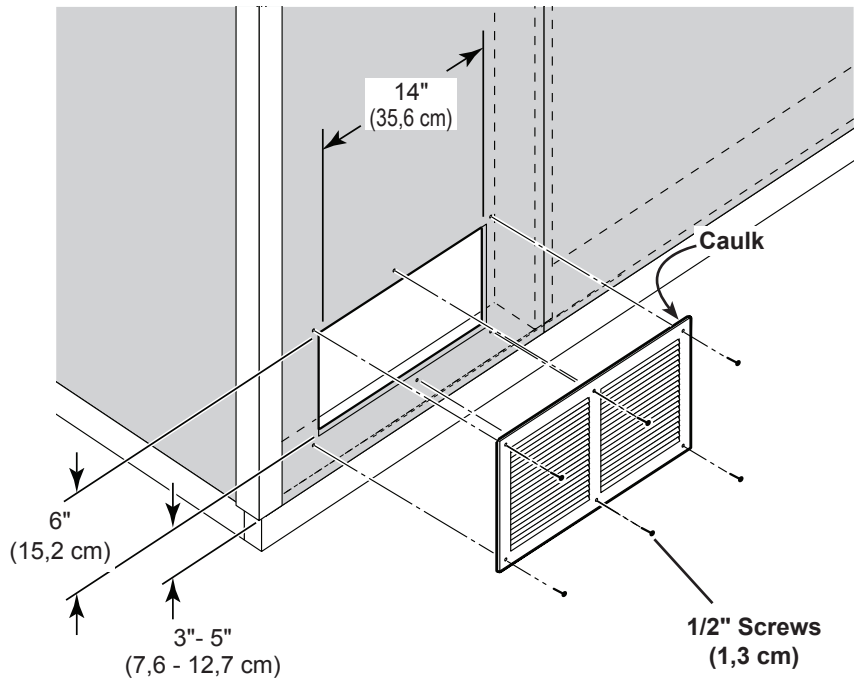
✓ **BEGIN**

- 1 Locate and mark for two vents in side walls as shown; (1) at top and (1) at bottom.

Cut out marked openings.

Caulk behind vent flanges.

Secure with 1/2" screws.



FINISH

Your vents are now installed.

PAINT & CAULK

- NOT INCLUDED -



- Use acrylic latex caulk that is paintable. Caulk at all horizontal and vertical seams, between the trim and walls, and all around the door trim.
- Use a high quality exterior acrylic latex paint. When painting your building, there are a few key areas that can be easily overlooked that must be painted:
 - Bottom edge of all siding and trim
 - Inside of doors and all 4 edges

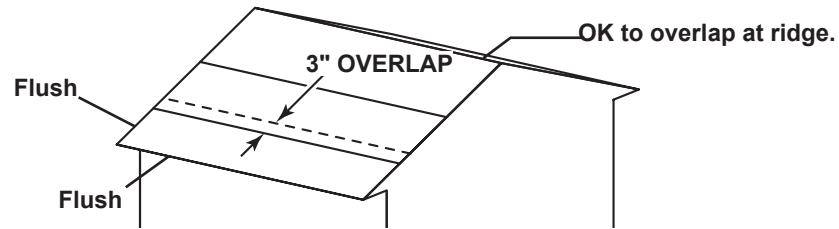
Note:

Prime all un-primed exterior wood before painting.
(Follow directions provided by manufacturer.)

ROOF FELT

- NOT INCLUDED -

- Install felt flush to all roof edges overlapping 3". Use minimal amount of roofing nails to hold in place.

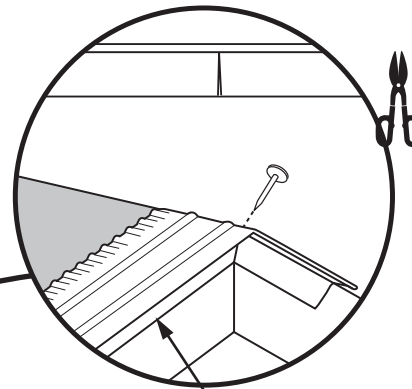
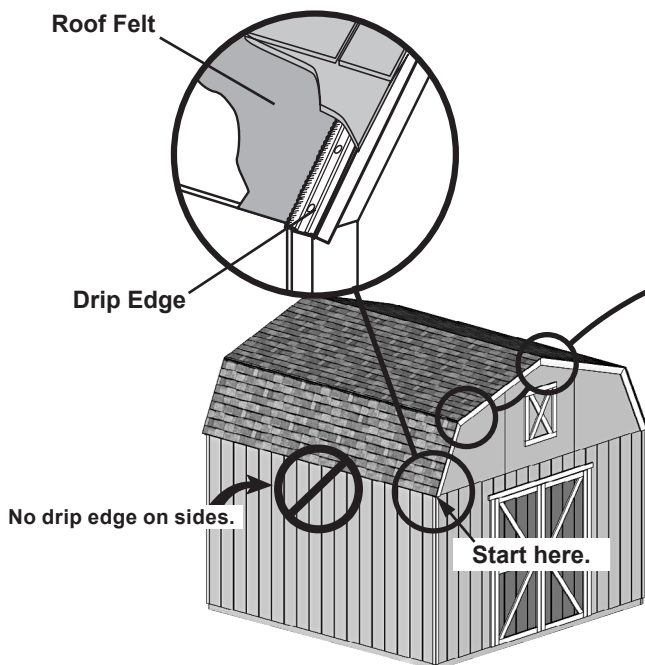


DRIP EDGE

- NOT INCLUDED -

Drip edge is only installed on the front and back sides of this shed.

- Install over roof felt or over roof deck.
- Do not use nails on side of drip edge that hangs over side of building.
- Only nail top of drip edge as shown.



Edge flush to trim.

Snip bottom side of drip edge and bend over to other side of roof.

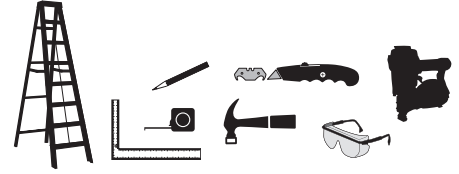
(Follow directions provided by manufacturer.)

NOTE: 12' x 12' Model Shown.

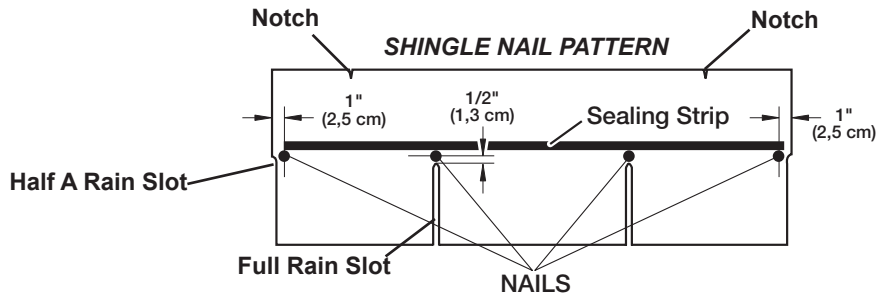
SHINGLES

- NOT INCLUDED -

- Follow directions provided by manufacturer and these instructions.



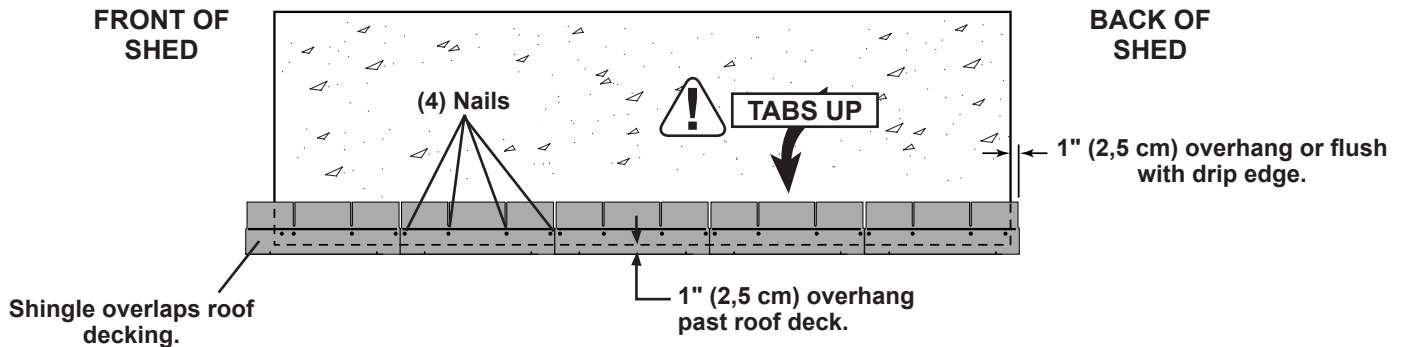
Familiarize yourself with a 3-Tab Shingle.



NEVER DRIVE FASTENERS INTO OR ABOVE SEALING STRIPS.

BEGIN

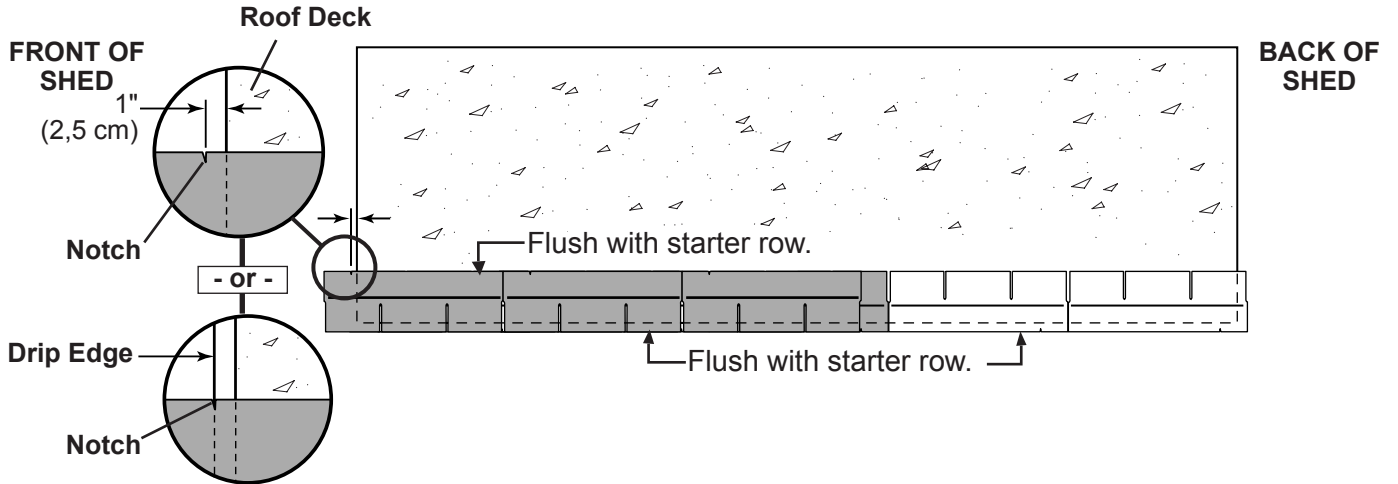
- 1 Install first starter row upside down and color up with a 1" overhang at back and bottom of roof panel. Use (4) nails per shingle. Starter row must be straight and level all the way across with lower edge of roof deck.
NOTE: If you have installed drip edge install shingles flush to drip edge.



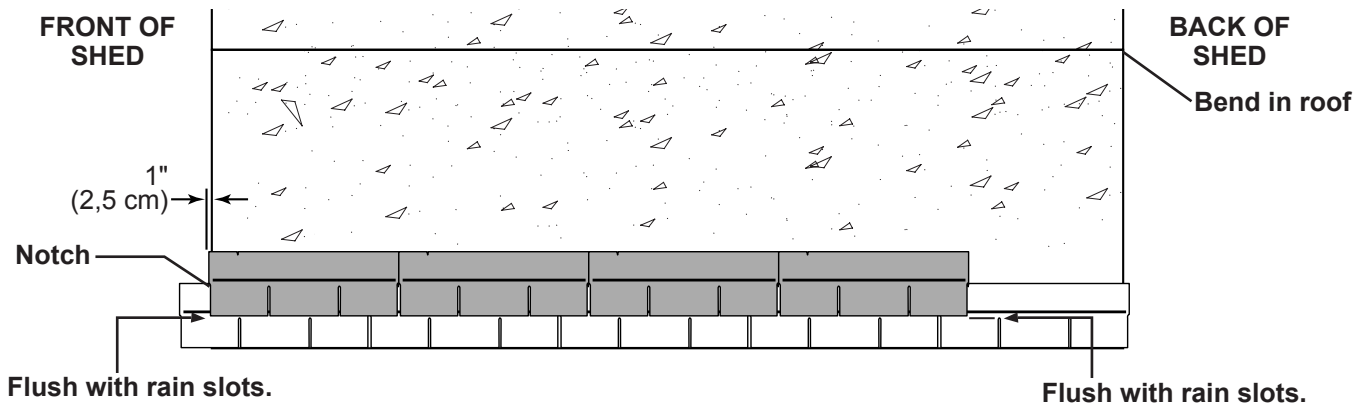
SHINGLES

continued...

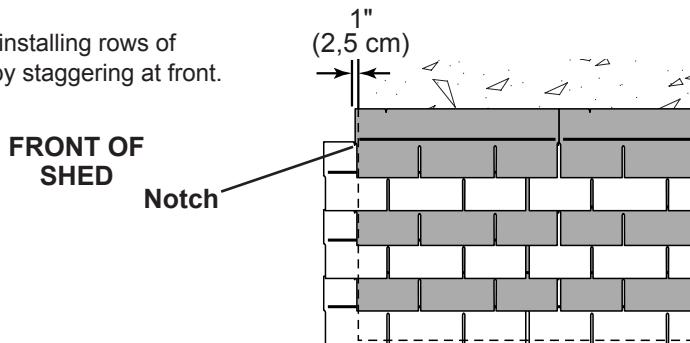
- 2 Beginning at front of shed, install first row of shingles with notch at 1" past roof edge or flush with drip edge.



- 3 Install second row of shingles flush at top of first row's rain slots. Ensure 1" overhang or flush to drip edge at front, stagger each row.



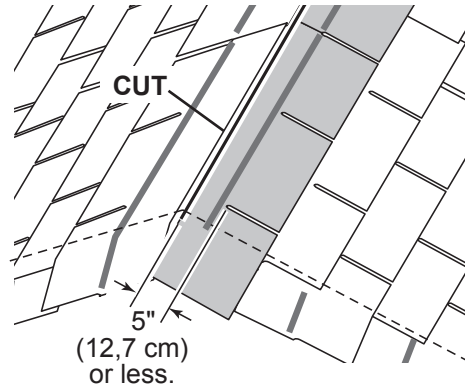
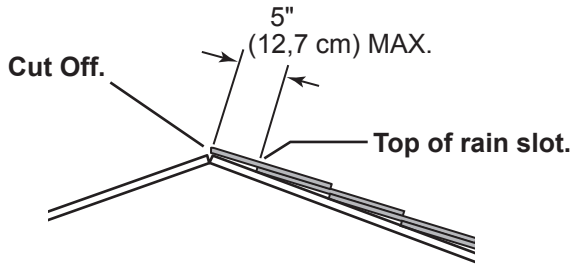
- 4 Continue installing rows of shingles by staggering at front.



SHINGLES

continued...

- 5 Continue installing rows of shingles to the peak. At the peak make sure there is a maximum of 5" or less to the rain slot, as shown below. If shingles overlap at ridge cut to peak with a utility knife.

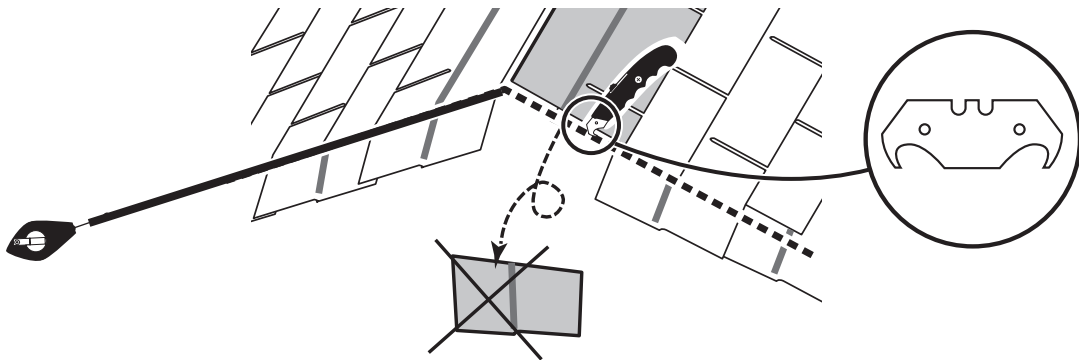


- ! • If more than 5" to rain slot you must install another row of shingles.

- 6 Repeat steps 1 - 7 to shingle the opposite side of your roof. Trim shingles at ridge.

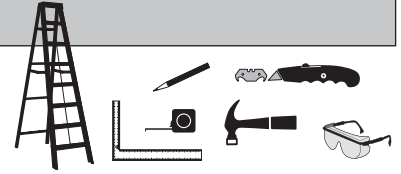
- 7 Once both sides are shingled you need to trim ends. Strike a chalk line 1" from edge.

- 8 Using your shingle hooked blade carefully cut shingles along chalk line.



You have finished shingling your roof. Proceed to capping the ridge.

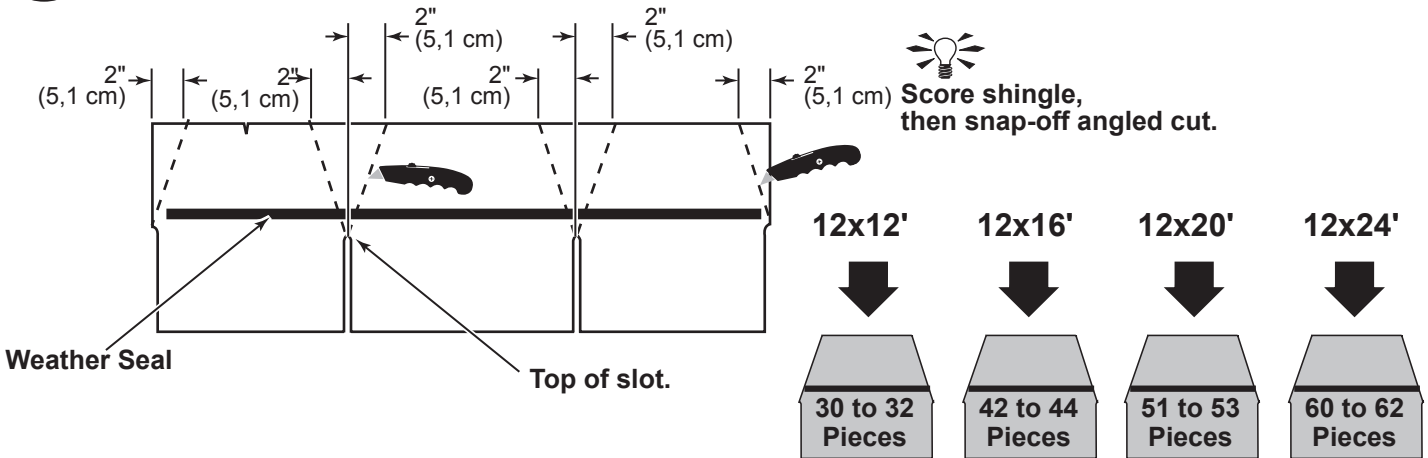
SHINGLES - RIDGE CAP



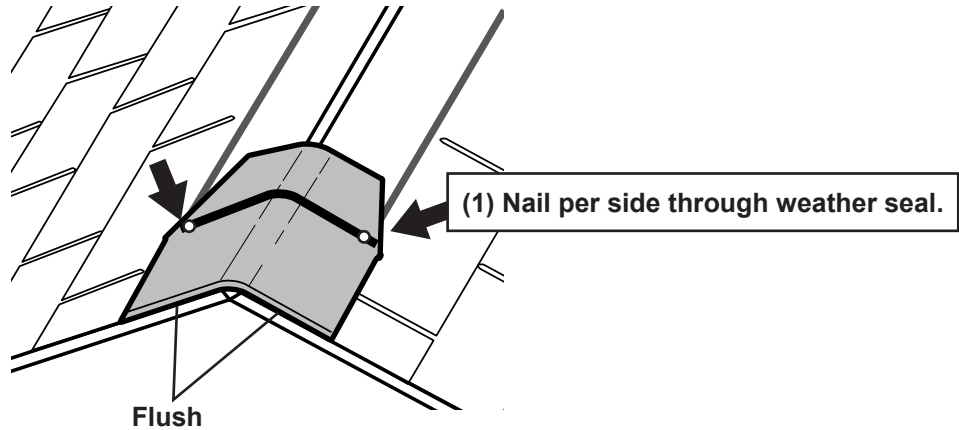
• You will finish off the top of the roof with a ridge cap made from shingles.

✓ BEGIN

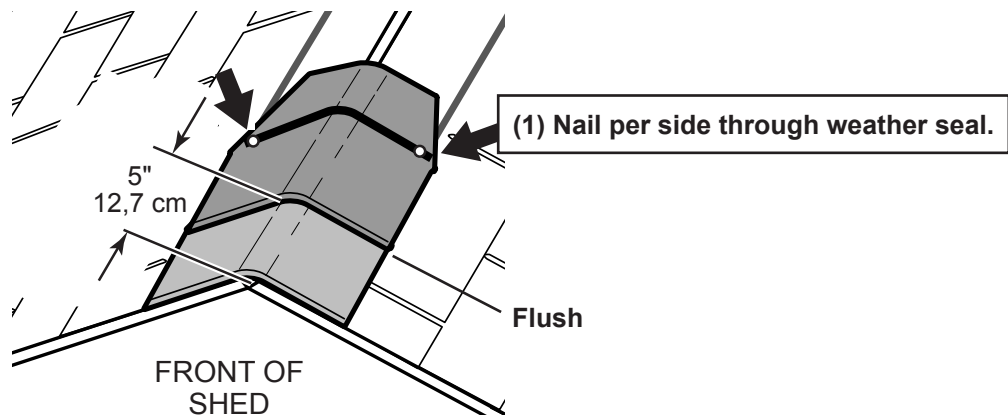
1 Cut shingles in THREE pieces. Hint: Use cut-off pieces first.



2 Install first ridge cap flush to shingles at front, as shown.



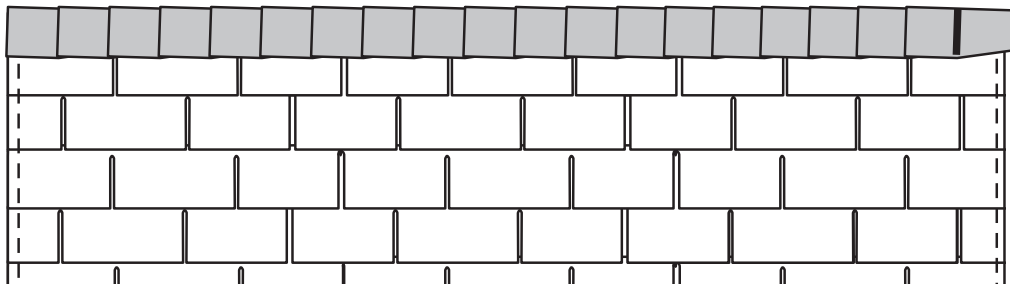
3 Install second ridge cap 5" back, as shown.



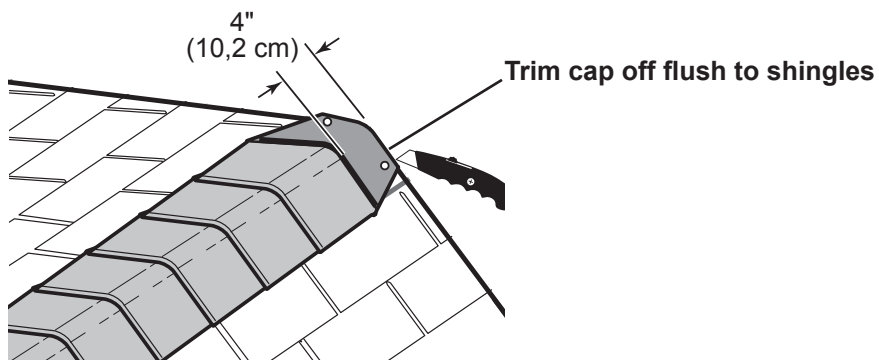
SHINGLES - RIDGE CAP

continued...

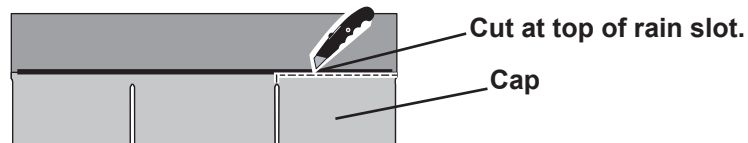
- 4 Continue installing ridge cap to back of roof.



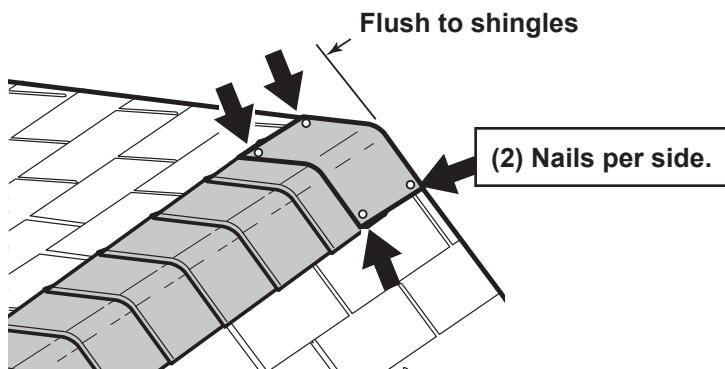
- 5 Make sure there is 4" between the shingle-color and edge of shingles.



- 6 When you have 4" minimum of shingle color cut one piece to cap your roof.



- 7 Install flush to shingles.



You have finished your ridge cap.

16432 12' x12' Order Form

CATEGORY	PART DESCRIPTION	PART SIZE	PART ITEM #	BUILDING QTY.	PART ID
2 x 4	Back Wall Top & Btm "A" / Dblr "A"	LUM SPF 2X4X96 #2&BTR	12306	6	TP
	Side Wall T & B Plate "A" / Dblr "B"	LUM SPF 2X4X92-5/8 #2&BTR	12305	4	TJ
	Side Wall B Plate "B"	2 X 4 X 44 3/8" PLATE	O 44060000000	4	HVC
	Side Wall Top Plate	2 X 4 X 68-1/2"	O 68080000000	4	YFA
	Doubler "C"	2X4X48" DOUBLER/ PLATE/ CRATE	O 48000000000	6	SP
	Collar Tie	2 X 4 X 60" PLATE	O 60000000000	4	SX
	Wall Studs	2 X 4 X 78 1/2"	O 78080000000	23	AI
	Jack Studs	2 X 4 X 68" STUD	O 68000000000	2	UM
	Over Door Crippler	2 X 4 X 7"	O 07000000000	5	AL
	Header	2 X 4 X 67"	O 67000000000	2	AM
	Front / Rear Gable Connector	2 X 4 X 39" 17" O/E CONNECTOR	O 39001700000	4	QL
1 X 3 PINE	Gauge Block	1 X 3 X 5" PINE FILLER	U 05000000000	1	GAA
7/16 OSB	Upper Roof Panel "A"	OSB 7/16" x 4' x 8'	11110	2	---
	Upper Roof Panel "B"	7/16" OSB 47 7/8" X 48" ROOF	C 48004714000	2	---
	Lower Roof Panel "A"	7/16" OSB 23 7/8" X 96" ROOF	C 96002314000	2	---
	Lower Roof Panel "B"	7/16" OSB 23 7/8" X 48" ROOF &	C 48002314000	2	---
	Door Header Filler	7/16" OSB 3 1/4" X 66 3/4" HEADER	C 66120304000	1	---
	Upper Soffit Roof Panel "A"	7/16" OSB 12 1/2" X 96" ROOF	C 96001208000	2	---
	Upper Soffit Roof Panel "B"	7/16" OSB 12 1/2" X 48" ROOF	C 48001208000	2	---
	Lower Soffit Roof Panel "A"	7/16" OSB 11 7/8" X 96"	C 96001114000	2	---
	Lower Soffit Roof Panel "B"	7/16" OSB 11 7/8" X 48"	C 48001114000	2	---
	GUSSETS	Gusset	EZ 8"/ OSB 6" X24" GUSSET 17"	J 24000600170	12
Collar Tie Gusset		EZ 8"/ OSB 3 1/2" X 24" PRECUT	J 24000308000	4	---
NO GROOVE SIDING	Center Gable Panel	3/8" NG 48" X 50 7/8" GABLE	K 50144800000	2	---
	Front / Rear Gable Panel - Right	3/8" X 43-3/8" X 48" RIGHT GABLE	K 48004306344	2	---
	Front / Rear Gable Panel - Left	3/8" X 43-3/8" X 48" LEFT GABLE	K 48004306444	2	---
	Corner Trim	3/8" NG 1 3/4" X 83-1/4"	K 83040112000	8	---
8OC SIDING	Rearwall Panel "A" / Side Panel	SIDING 8" OC 4'X7"	11506	9	---
	Rear Panel "B"	EZ 8" 23 7/8" X 84" WALL PANEL	J 84002314000	2	---
	Frontwall Panel Right	EZ 8" 48" x 84" RIGHT FRONTWALL	J 84004800101	1	---
	Frontwall Panel Left	EZ 8" 48" x 84" LEFT FRONTWALL	J 84004800201	1	---
19/32 X 3 SMART TRIM	Vertical / Over Door Trim	19/32 TST 2 1/2" X 72" TRIM	UT72000208000	1	ZJ
	Long Cross Buck - Right	19/32 TST 2 1/2" X 39-7/8" 36.5" L/S RGT X-BUCK	UT39143737100	2	MDR
	Long Cross Buck - Left	19/32 TST 2 1/2" X 39-7/8" 36.5" L/S LFT X-BUCK	UT39143737200	2	MDL
	Hay Door Cross Buck - Long	19/32 TST 2 1/2" X 25-3/4" L/S 32.5" B/E	UT25123333000	1	LKA
	Hay Door Cross Buck - Short	19/32 TST 2 1/2" X 12 7/8" L/L 25.5/32.5" CROSSBUCK	UT12143326000	2	JGA
	Horizontal Door Rail	19/32 TST 2 1/2" X 26 5/8"	UT26100208000	2	AH
	Horizontal & Vertical Window Trim	19/32 TST 2 1/2" X 21 3/4"	UT21120208000	4	KX
19/32 X 4 SMART TRIM	Lower Gable Trim Right	2 X 4 X 36" 24"/24" RIGHT	UT36002424100	2	ZJR
	Lower Gable Trim Left	2 X 4 X 36" 24"/24" LEFT	UT36002424200	2	ZJL
	Upper Gable Trim Right	19/32 TST 3 1/2" X 60 7/8" RGT	UT60141724100	2	ZOR
	Upper Gable Trim Left	19/32 TST 3 1/2" X 60 7/8" LFT	UT60141724200	2	ZOL
PURCHASED COMPONENTS	Door Stiffener	LSL 1-1/4 X 2-1/4 X 69 PET	12715	2	OO
	Chrome Single Point Locking Handle	DOOR HANDLE LOCKING SINGLE PT.	15210	1	---
	Hardware Kit	H/K HHP SERIES GAMBRELS	15739	1	---
PACKAGING	Instructions		16432	1	---
Right Door Assembly	30222-R				
	Door Panel	EZ 8" 31 1/4" X 71 1/2"	J 71083104000	1	---
	Right Hinge Assembly	HINGE RIGHT (RED) 19/32x3 THIN TRIM	30121-TT	1	---
	Vertical Door Stiles	19/32 TST 2 1/2" X 71 5/8"	UT71100208000	2	GY
	Horizontal Door Rails	19/32 TST 2 1/2" X 26 5/8"	UT26100208000	2	AH
Left Door Assembly	30222-L				
	Door Panel	EZ 8" 31 1/4" X 71 1/2"	J 71083104000	1	---
	Left Hinge Assembly	HINGE LEFT (GREEN) 19/32x3 THIN TRIM	30131-TT	1	---
	Vertical Door Stiles	19/32 TST 2 1/2" X 71 5/8"	UT71100208000	2	GY
	Horizontal Door Rails	19/32 TST 2 1/2" X 26 5/8"	UT26100208000	2	AH
Sub Assembled Truss	30070-M				
	Upper Truss	2 X 4 X 60 1/2" 17"-24" TRUSS	O 60081724000	1	---
	Lower Truss	2 X 4 X 35" 24"-24" TRUSS PART	O 3500242400A	1	---
	Truss Plate	PLATE MENDING 2 1/2 X 6" 20 GA	15704	2	---

LIMITED CONDITIONAL WARRANTY*

Backyard Storage Solutions, LLC warrants the following:

1. Every product is warranted from defects in workmanship and manufacturing for 1 year.
2. All accessories, hardware and metal components are warranted for 2 years.
3. All Oriented Strand Board (OSB) is warranted for 2 years
4. Siding and Trim is warranted for 15 years.
5. LP Prostruct® Flooring is warranted for 10 years
6. Cedar lumber is warranted for 15 years.
7. Preserved Pine is warranted for 10 years.
8. Redwood is warranted for 10 years.
9. Metal Roof is warranted for 25 years.

Backyard Storage Solutions, LLC will repair, replace or pay for the affected part. In no event shall Backyard Storage Solutions, LLC pay the cost of labor or installation or any other costs related thereto. All warranties are from date of purchase. If a cash refund is paid on an affected part, it will be prorated from the date of purchase.

CONDITIONS

The warranty is effective only when:

1. The unit has been erected in accordance with the assembly instructions.
2. The unit has been properly shingled and painted or stained and regularly maintained thereafter.
3. The failure occurs when the unit is owned by the original purchaser.
4. Backyard Storage Solutions, LLC has received the warranty registration card within thirty (30) days of purchase and notification of the failure in writing within the warranty period specified above.
5. Backyard Storage Solutions, LLC has had reasonable opportunity during the sixty (60) days following receipt of notification to inspect and verify the failure prior to commencement of any repair work.

REQUIREMENTS

Storage Buildings

To validate your warranty, it is necessary to properly maintain your Backyard Storage Solutions, LLC unit; shingle the roof and paint or solid-colored stain the siding using quality, 100% acrylic latex exterior product with a minimum of two (2) coats within thirty (30) days of assembly; caulk above all doors and all horizontal and vertical trim boards; paint and seal all exposed edges, sides and faces of siding/trim and OSB siding to include all exterior walls and all sides and all edges of doors.

Gazebos & Pergolas

To validate your warranty, it is necessary to properly maintain your Backyard Storage Solutions, LLC unit. This includes treating all of the exposed cedar and pine surfaces on your gazebo or pergola structure with an exterior grade wood preservative, an exterior oil-based semi-transparent stain, an acrylic latex exterior paint or an acrylic latex solid color exterior stain within 30 days of assembly and as needed thereafter to maintain your warranty.

Keep vegetation trimmed away from building and make sure siding panels and trim do not come in contact with masonry or cement. The minimum ground clearance for siding must be one half inch (½ inch) from concrete slab or two and one half inches (2 ½") from the ground when building is erected or constructed on a treated wood floor kit. Water from sprinklers must be kept off unit. In no event will Backyard Storage Solutions, LLC be responsible for any indirect, incidental, consequential or special damages nor for failure(s) that are caused by events, acts or omissions beyond our control including, but not limited to, misuse or improper assembly, improper maintenance (which eventually leads to rot or decay) and acts of God. Backyard Storage Solutions, LLC will not be held responsible for any labor costs incurred to construct your unit.

This warranty gives you certain specific rights that vary from state to state.

CLAIM PROCEDURE

To make a claim under this warranty, you can either call 1-888-827-9056 or email: customerservice@backyardproducts.com.

Please have ready the information below when you call or include the information in your email:

1. The model and size of the product.
2. A list of the part(s) for which the claim is made.
3. Proof of purchase of the Backyard Storage Solutions, LLC item, as shown on the original invoice or receipt.
4. Run code: found on exterior product label or assembly instructions enclosed in the product package.

All other inquiries can be mailed to:

Backyard Storage Solutions, LLC
Attn: Customer Service
1000 Ternes
Monroe, MI 48162

***WARRANTY TERMS MAY VARY OUTSIDE THE U.S.A.**

IMPORTANT: This is your warranty certificate.

15Y PSS BB GEN LDR: 3/20/2019