

16909



Call Us First!
DO NOT RETURN TO STORE.

For questions on assembly or for general inquiries, you may contact us in the following ways:

Call customer service: **1-877-743-3400**

AVOID THE WAIT!

visit us online at
help.backyardproducts.com

- Submit a help request
- Answers to frequently asked questions
- Live chat with an agent



Did you enjoy building your shed?

JOIN OUR TEAM
AND MAKE UP TO \$1,500/WEEK*

Call a Recruiter Today! 734-365-7000



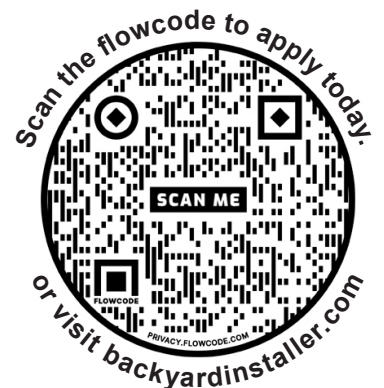
Flexible schedule



No selling,
just building



Bonus incentives
available



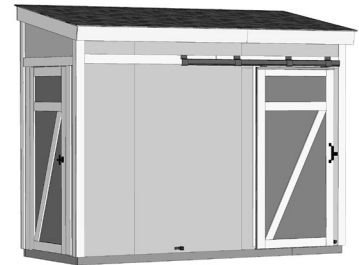
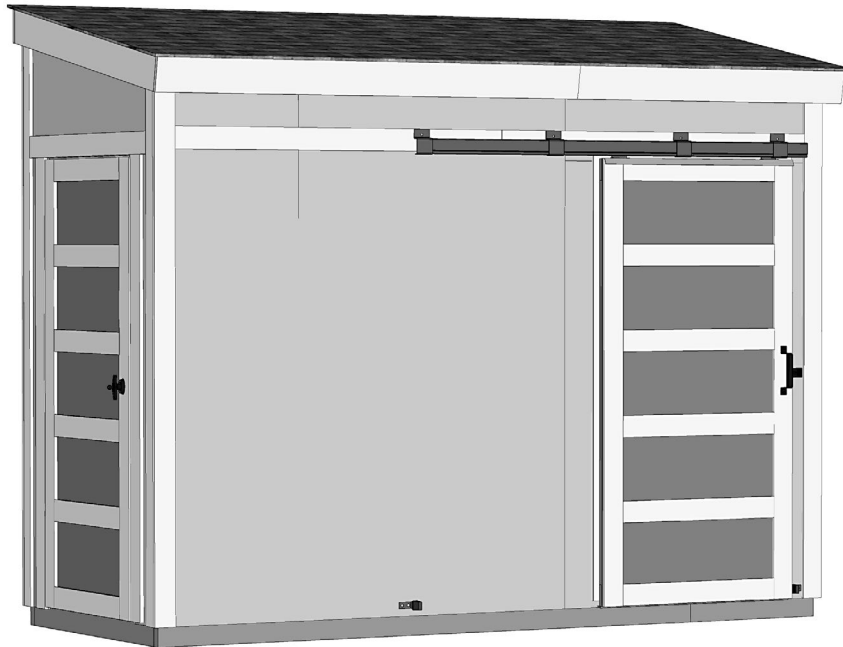
*based on number of completed installations

(This page intentionally left blank.)

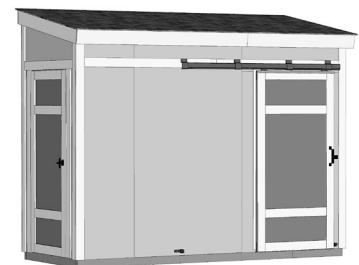
COSMOPOLITAN 10' x 4' (304,8 cm x 121,9 cm)

ACTUAL FLOOR SIZE IS 120" x 48" (304,8 cm x 121,9 cm)

KEEP THIS MANUAL FOR FUTURE REFERENCE



Three options for door trim.



⚠ IMPORTANT! ⚠

READ INSTRUCTIONS THOROUGHLY PRIOR TO BEGINNING ASSEMBLY.

BEFORE YOU BEGIN

• **BUILDING RESTRICTIONS AND APPROVALS**

Be sure to check local building department and homeowners association for specific restrictions and/ or requirements before building.

• **ENGINEERED DRAWINGS**

Contact our Customer Service Team if engineered drawings are needed to pull local permits.

• **SURFACE PREPARATION**

To ensure proper assembly you must build your shed on a level surface.

Recommended methods and materials to level your shed are listed on page 9.

• **CHECK ALL PARTS**

Inventory all parts listed on pages 4-8.

• **ADDITIONAL MATERIALS**

You will need additional materials to complete your shed. See page 3 for required and optional materials and quantities.



*****CONTACT OUR CUSTOMER SERVICE TEAM
IF ANY PARTS ARE MISSING OR DAMAGED*****



- Order form and warranty at back of manual -

Call: 1-877-743-3400 email: customerservice@backyardproductsllc.com

TOOLS

Required

Phillips Screwdriver 

Drill / Driver
 3/8" Drill Bit
 #2 Philips Drive Bit

Hammer 

Level 


Pencil 

Tape Measure 

Square 

Utility Knife 
 Shingle Blades 

Caulk Gun 


Paint Tools 

Safety Glasses 


Ladder 

Optional

Tool Belt/ Nail Pouch 

Tin Snips (for drip edge) 

Chalk Line 

Nail Gun
 • gun nails 

Gloves 

C-Clamps 

Safety! Always use approved safety glasses during assembly.

HELPFUL REMINDER SYMBOLS

Look for these symbols for helpful reminders throughout this manual.



= Assistance Required; two or more people.



= Ensure squareness.



= Important required step or operation.



= Helpful assembly hint.



= Mark part with pencil.



BEGIN = Beginning of steps for assembly or installation.



FINISH = You have finished the assembly or installation.

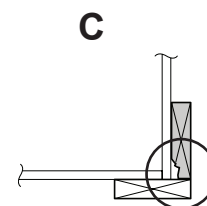
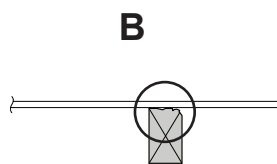
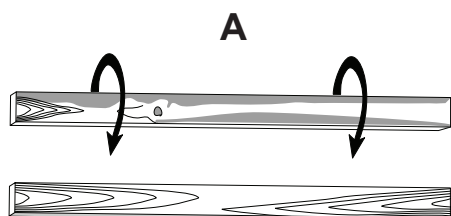


= Level

ORIENT LUMBER AND TRIM FOR BEST APPEARANCE

Framing lumber is graded for structural strength and not appearance. Exterior trim is graded for one good side.

Always install the material leaving the best edge and best surface visible. Please remember that these blemishes in no way negatively affect the strength or integrity of our product. (See Fig. A, B, C.)



ADDITIONAL MATERIALS NEEDED

FOUNDATION OR FLOOR MATERIALS

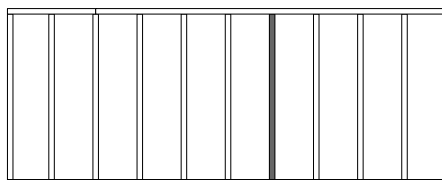
- This shed kit includes a complete wood floor frame system.
- This shed kit does not include ANY leveling materials.
- See the **FLOOR LEVELING** section on page 9 for recommended methods and suggested materials to properly level your floor, as this will vary depending on your specific site.

REINFORCED WOOD FLOOR FRAME (OPTIONAL)

IMPORTANT! The included floor is designed for general use. Depending on your specific use you may want to construct a heavy duty floor frame by adding an additional floor joist (shown below as shaded). Below is a list of additional materials (not included):

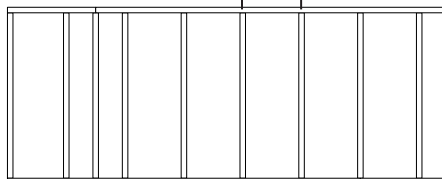
x1 2 x 4 x 8' (5 x 10 x 244 cm) Treated Lumber
Cut lumber to 2 x 4 x 45" (5 x 10 x 114,3 cm)

x4 3" (7,6 cm) Hot Dipped Galvanized Nails



← Optional 12" (30,5 cm) spacing

← Standard 16" (40,6 cm) spacing




COMPLETING YOUR SHED

You will need these additional materials:

3-TAB SHINGLES 2 Bundles

PAINT FOR SIDING 2 Gallons
Use 100% acrylic latex exterior paint. (2) coats recommended.

CAULK 1 Tube
Use acrylic latex exterior caulk that is paintable. 

1" GALVANIZED ROOFING NAILS.... 2 Lbs
For shingles.

PAINT FOR TRIM1 Quart
Use 100% acrylic latex exterior paint.

WOOD GLUE Exterior Rated

OPTIONAL MATERIALS

DRIP EDGE 30 Feet

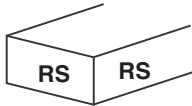
#15 ROOFING FELT
To cover 42 Sq. Ft. of roof area.

1" GALVANIZED ROOFING NAILS.....1/4 Lb
For roofing felt.

REFER TO THE BACK OF THIS MANUAL AND THE MANUFACTURER'S INSTRUCTIONS FOR INSTALLATION OF SHINGLES, DRIP EDGE AND FELT.

PARTS IDENTIFICATION AND SIZES

Part identification is stamped on some parts.



• Check these locations for part stamp.

Treated lumber is stamped:

TREATED

WOOD SIZE CONVERSION CHART

| Nominal Board Size | Actual Size |
|--------------------|--------------------------------|
| 2 x 4 | 1-1/2" x 3-1/2" (3,8 x 8,9 cm) |
| 1 x 4 | 3/4" x 3-1/2" (1,9 x 8,9 cm) |
| 2 x 3 | 1-1/2" x 2-1/2" (3,8 x 6,3 cm) |
| 1 x 3 | 3/4" x 2-1/2" (3,8 x 6,3 cm) |




PARTS LIST



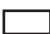












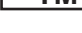
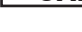




INVENTORY YOUR PARTS before you begin.

We suggest sorting parts by the category they are listed in.




FLOOR

- x2**  2 x 4 x 24" (5 x 10 x 61 cm)
- x10**  2 x 4 x 45" (5 x 10 x 114,3 cm)
- x2**  2 x 4 x 96" (5 x 10,2 x 243,8 cm)

WALLS

- x1**  **RAC** 2 x 3 x 4-1/8" (5,1 x 7,6 x 10,5 cm)
- x2**  7/16" x 3-1/2" x 6-1/4" (1,1 x 8,9 x 15,9 cm) **Header Spacer**
- x3**  **AYC** 2 x 4 x 6-1/4" (5,1 x 10,2 x 15,9 cm)
- x1**  **LBA** 2 x 4 x 31-5/16" (5,1 x 10,2 x 81,1 cm)
- x3**  **BZM** 2 x 4 x 33-5/8" (5,1 x 10,2 x 85,4 cm)
- x1**  7/16" x 3-1/4" x 33-5/8" (1,1 x 8,3 x 85,4 cm) **OSB**
- x1**  **VWA** 2 x 4 x 41" (5,1 x 10,2 x 104,1 cm)
- x2**  **SP** 2 x 4 x 48" (5,1 x 10,2 x 121,9 cm)
- x2**  **EMA** 2 x 4 x 48" (5,1 x 10,2 x 121,9 cm)  **Beveled Profile**
- x2**  **HUB** 2 x 4 x 69-3/8" (5,1 x 10,2 x 177,2)
- x2**  **GVC** 2 x 4 x 72" (5,1 x 10,2 x 182,9)  **Beveled Profile**
- x2**  **TM** 2 x 4 x 72" (5,1 x 10,2 x 182,9 cm)
- x1**  **CXB** 2 x 4 x 73-1/4" (5,1 x 10,2 x 186,1 cm)
- x8**  **XMB** 2 x 4 x 80-5/8" (5,1 x 10,2 x 204,8 cm)
- x1**  **FVA** 2 x 4 x 84-9/16" (5,1 x 10,2 x 214,8 cm)
- x6**  **IMU** 2 x 4 x 88-1/2" (5,1 x 10,2 x 224,8 cm)
- x1**  **DKC** 2 x 4 x 90-11/16" (5,1 x 10,2 x 230,3 cm)

ROOF

- x6**  **MJC** 2 x 4 x 53-1/2" (5,1 x 10,2 x 135,9 cm)
- x2**  **IVB** 2 x 4 x 53-7/8" (5,1 x 10,2 x 136,8 cm)
- x2**  3/8" x 3-1/2" x 3-1/2" (1,5 x 6,3 x 6,3 cm)

PARTS LIST

TRIM

- x2 **FXA** 19/32" x 3-1/2" x 2-7/16" (1,5 x 8,9 x 6,2 cm)
- x2 **UAC** 19/32" x 5-1/2" x 50-1/2" (1,5 x 14 x 128,3 cm)
- x1 **QCC** 19/32" x 5-1/2" x 54" (1,5 x 14 x 137,2 cm)
- x1 **SZA** 19/32" x 5-1/2" x 54" (1,5 x 14 x 137,2 cm)
- x2 **TSA** 19/32" x 3-1/2" x 57-7/16" (1,5 x 8,9 x 145,9 cm)
- x2 **VOA** 19/32" x 5-1/2" x 74-7/16" (1,5 x 14 x 189,1 cm)

CORNER TRIM

- x2 **DIA** 19/32" x 3-1/2" x 83-7/16" (1,5 x 4,4 x 211,9 cm)
- x1 **ONA** 19/32" x 2-1/2" x 84" (1,5 x 6,3 x 213,4 cm)
- x1 **MTD** 19/32" x 2-1/2" x 84" (1,5 x 6,3 x 213,4 cm)
- x2 **LUT** 19/32" x 3-1/2" x 90-15/16" (1,5 x 4,4 x 231 cm)
- x1 **GSD** 19/32" x 2-1/2" x 92-1/8" (1,5 x 6,3 x 234 cm)
- x1 **NCD** 19/32" x 2-1/2" x 92-1/8" (1,5 x 6,3 x 234 cm)

SOFFIT

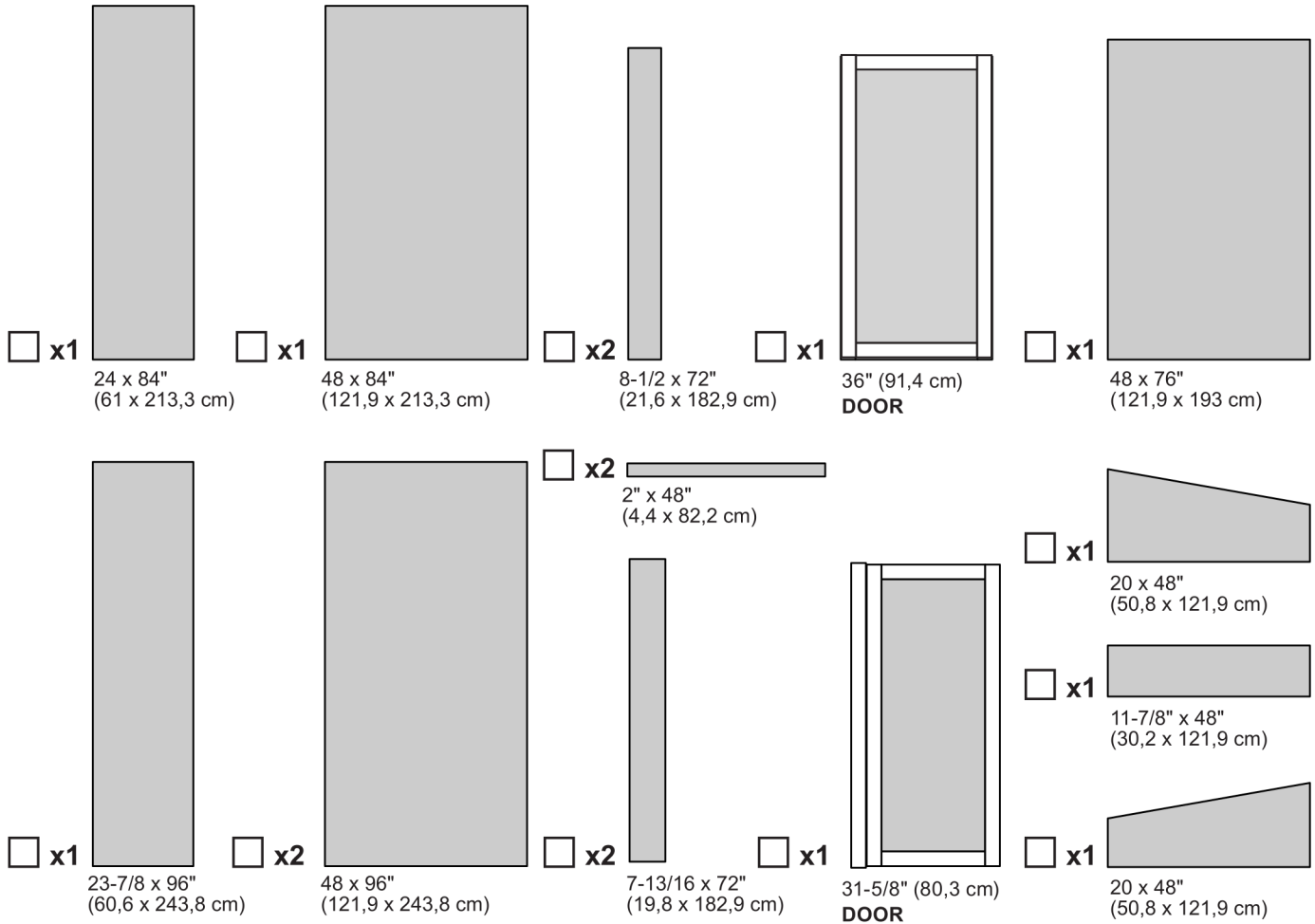
- x2 3/8" x 1-1/2" x 49-1/2" (1 x 3,8 x 125,7 cm)
- x1 3/8" x 3-11/16 x 49-7/8" (1 x 9,4 x 126,7 cm)
- x1 3/8" x 3-11/16 x 73-7/8" (1 x 9,4 x 187,6 cm)

DOOR TRIM

- x1 **FMB** 19/32" x 3-1/2" x 10-1/8" (1,5 x 8,9 x 25,7 cm)
- x4 19/32" x 3-1/2" x 24-5/8" (1,5 x 8,9 x 62,5 cm)
- x4 **MAC** 19/32" x 3-1/2" x 29" (1,5 x 8,9 x 73,3 cm)
- x2 **JQC** 19/32" x 3-1/2" x 36" (1,5 x 8,9 x 91,4 cm)
- x2 **HAD** 19/32" x 3-1/2" x 43-3/4" (1,5 x 8,9 x 145,9 cm)
- x2 **IDC** 19/32" x 3-1/2" x 65" (1,5 x 8,9 x 165,1 cm)
- x1 **OO** 69" (175,3 cm) Door Stiffener
- x1 **QFC** 19/32" x 3-1/2" x 55-1/16" (1,5 x 8,9 x 139,9 cm)
- x1 **EZB** 19/32" x 3-1/2" x 56-13/16" (1,5 x 8,9 x 144,3 cm)
- x3 **ZO** 19/32" x 3-1/2" x 72" (1,5 x 8,9 x 182,9 cm)

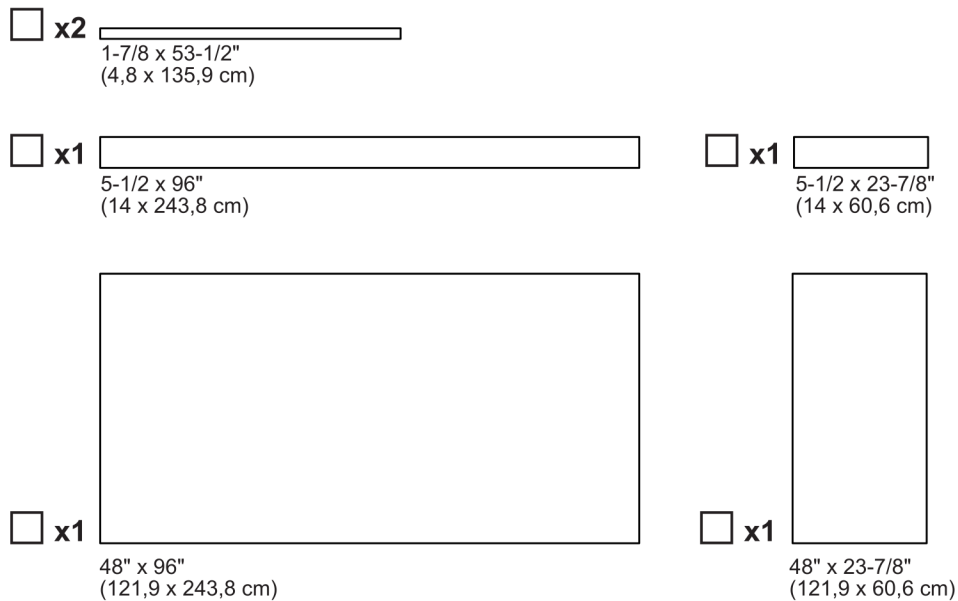
WALL PANELS & DOORS

Wall panels are 3/8" (1,0 cm) thick. NOTE: Panel parts are not stamped.



ROOF PANELS

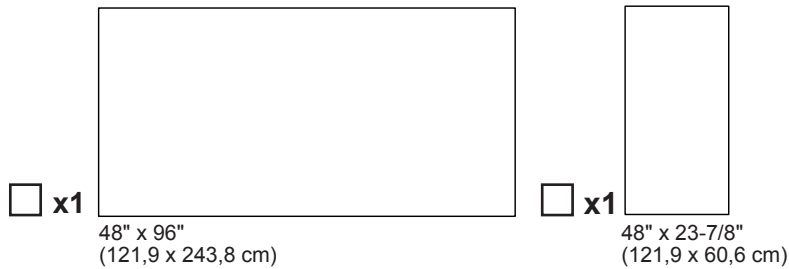
Roof panels are 7/16" (1,1 cm) thick. NOTE: Panel parts are not stamped.



FLOOR PANELS

Pro-struct floor panels are 5/8" (1,6 cm) thick.

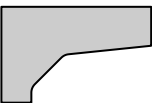
NOTE: Panel parts are not stamped.

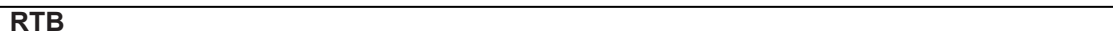


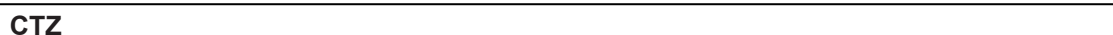
SHELF PARTS

x2 **WDB**
2 x 3 x 5-3/4" (5,1 x 7,6 x 14,6 cm)

x1 **JPA**
2 x 3 x 8-3/4" (5,1 x 7,6 x 22,2 cm)

x1 
8" x 12-1/2" (20,3 x 31,8 cm)

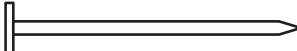
x1 **RTB** 
2 x 3 x 93-3/4" (5,1 x 7,6 x 238,1 cm)

x1 **CTZ** 
2 x 4 x 93-3/4" (5,1 x 10,2 x 238,1 cm)

x1 
3/8" x 9" x 96" (1,0 x 22,9 x 243,8 cm)

FASTENER/HARDWARE BAG (Shown Actual Size)

x110  2" (5,1 cm)

x100  1-1/2" (3,8 cm)

x70  3" (7,6 cm)

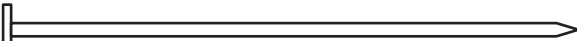
x20  2" (5,1 cm)

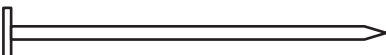
x20  1-1/4" (3,2 cm)

x40  3/4" (1,9 cm)

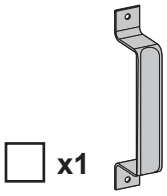
NOTE:
If you are using a nail gun, nails may be used where screws are shown for quicker assembly. Length of nail must match screw length.

NAIL BOXES (Shown Actual Size)

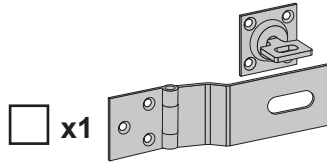
x1 BOX  3" (7,6 cm)

x2 BOXES  2" (5,1 cm)

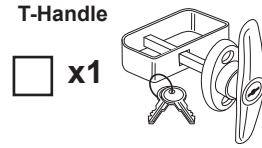
DOOR HARDWARE (Not Actual Size)



x1

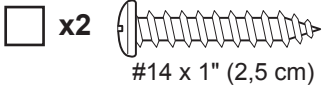


x1



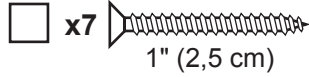
T-Handle

x1



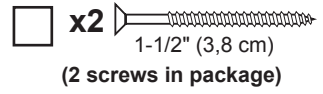
x2

#14 x 1" (2,5 cm)



x7

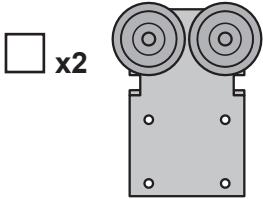
1" (2,5 cm)



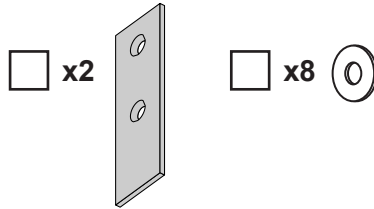
x2

1-1/2" (3,8 cm)

(2 screws in package)



x2



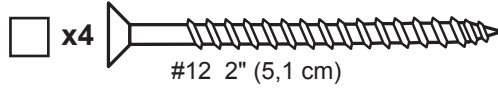
x2

x8



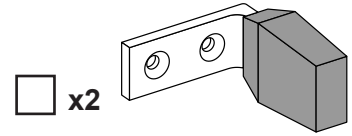
x8

1" (2,5 cm)

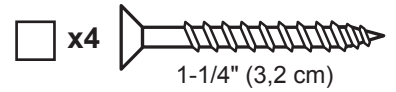


x4

#12 2" (5,1 cm)



x2

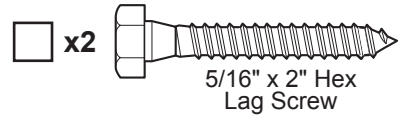


x4

1-1/4" (3,2 cm)

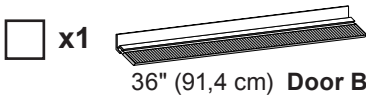


x1



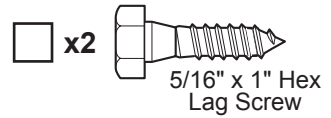
x2

5/16" x 2" Hex Lag Screw



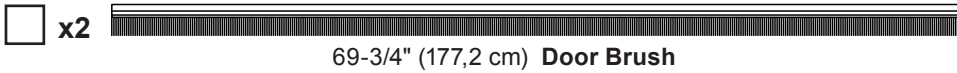
x1

36" (91,4 cm) Door Brush



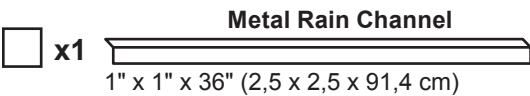
x2

5/16" x 1" Hex Lag Screw



x2

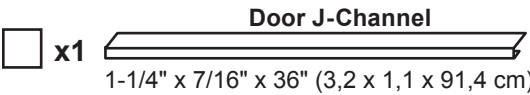
69-3/4" (177,2 cm) Door Brush



Metal Rain Channel

x1

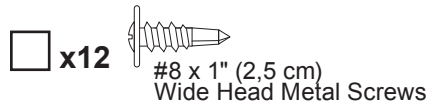
1" x 1" x 36" (2,5 x 2,5 x 91,4 cm)



Door J-Channel

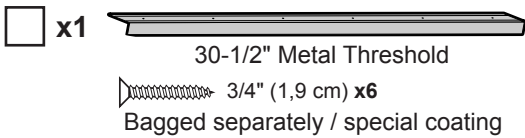
x1

1-1/4" x 7/16" x 36" (3,2 x 1,1 x 91,4 cm)



x12

#8 x 1" (2,5 cm) Wide Head Metal Screws

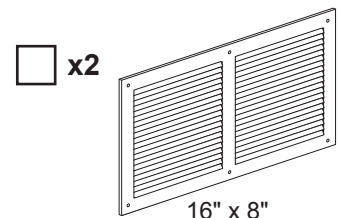


x1

30-1/2" Metal Threshold

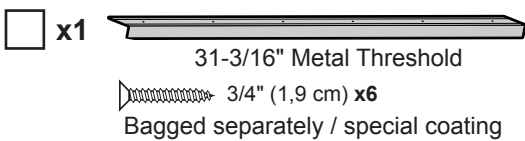
3/4" (1,9 cm) x6

Bagged separately / special coating



x2

16" x 8"



x1

31-3/16" Metal Threshold

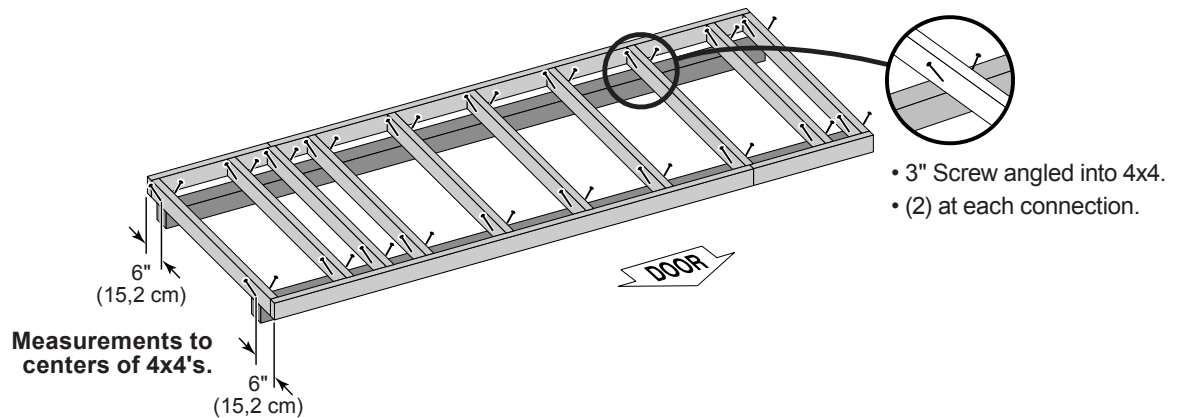
3/4" (1,9 cm) x6

Bagged separately / special coating



FLOOR LEVELING OPTIONS

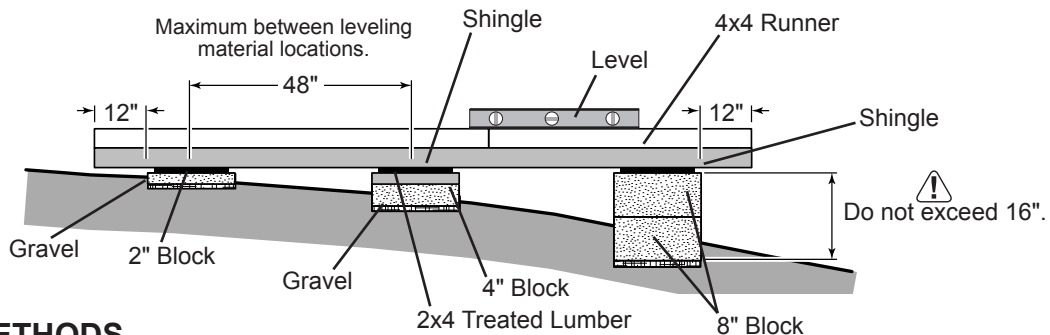
There are multiple ways to level your floor frame. Our recommended leveling method is shown below.
Leveling materials are not included in this kit.

PREFERRED METHOD - 4x4 TREATED RUNNERS



MATERIAL REQUIRED

- x2** 4 x 4 x 10' (10,2 x 10,2 x 304,8 cm) Treated Lumber (Cut to (3) 48" runners.)
- Fasteners for Frame to 4"x 4".**
(3" Screws shown as one option.) Minimum (40) 3" screws / exterior grade.
-  **Use only wood treated for ground contact and fasteners approved for use with treated wood.**
-  **Always support frame seams.**



LEVELING METHODS

- Level under 4x4 runners only.
- Locate leveling material 12" from ends of runners and no more than 48" apart.
- Asphalt shingles should be used between 4x4 runners and blocks or treated lumber. Never use shingles in direct contact with ground.
- For best results and aiding in water drainage use gravel under each concrete block.

LEVELING MATERIALS

- Gravel
- Solid Masonry Blocks in 1", 2", 4" or 8" thickness
- 2x4 Treated Lumber
- Asphalt Shingles

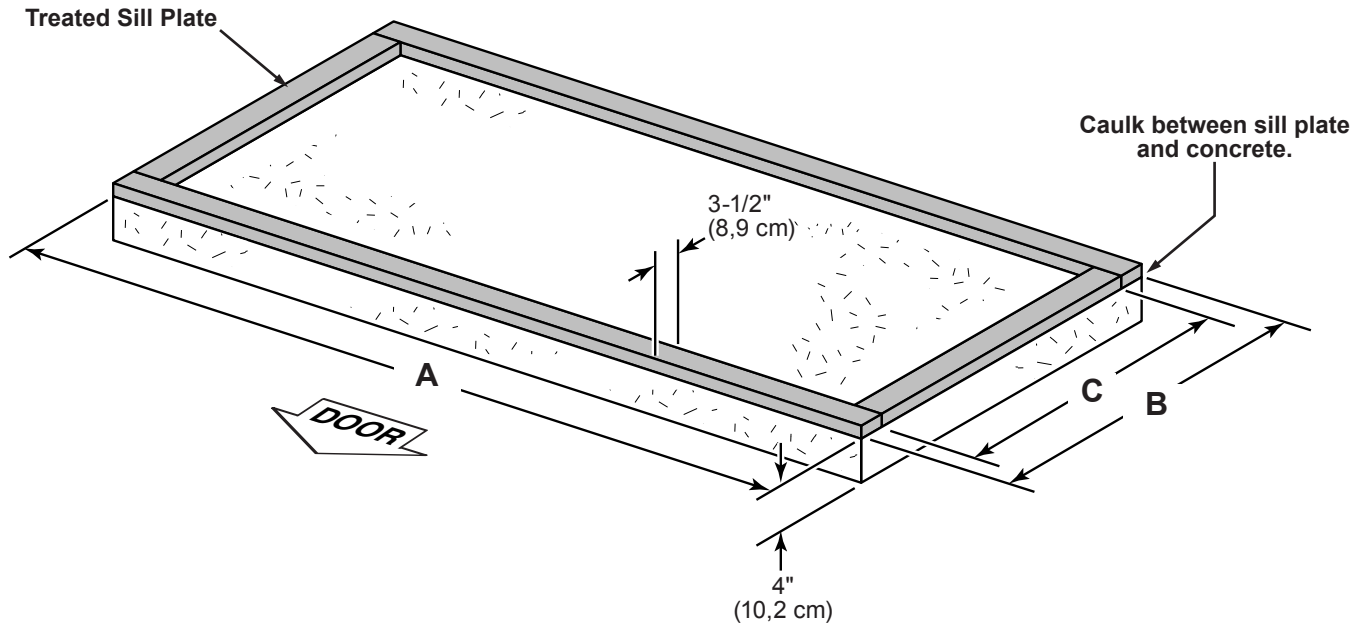
 **Leveling higher than 16" not recommended.**

CONCRETE

- If you are building your shed on a concrete foundation see the following page.

CONCRETE FOUNDATION

If you choose to install your kit on a concrete slab refer to the diagram below.



| Building Size | Actual Floor Size | A | B | C |
|---------------------------|---------------------------|-----------------|----------------|----------------|
| 4'x10' (121,9 x 304,8 cm) | 4'x10' (121,9 x 304,8 cm) | 120" (304,8 cm) | 48" (121,9 cm) | 41" (104,1 cm) |

Requires:

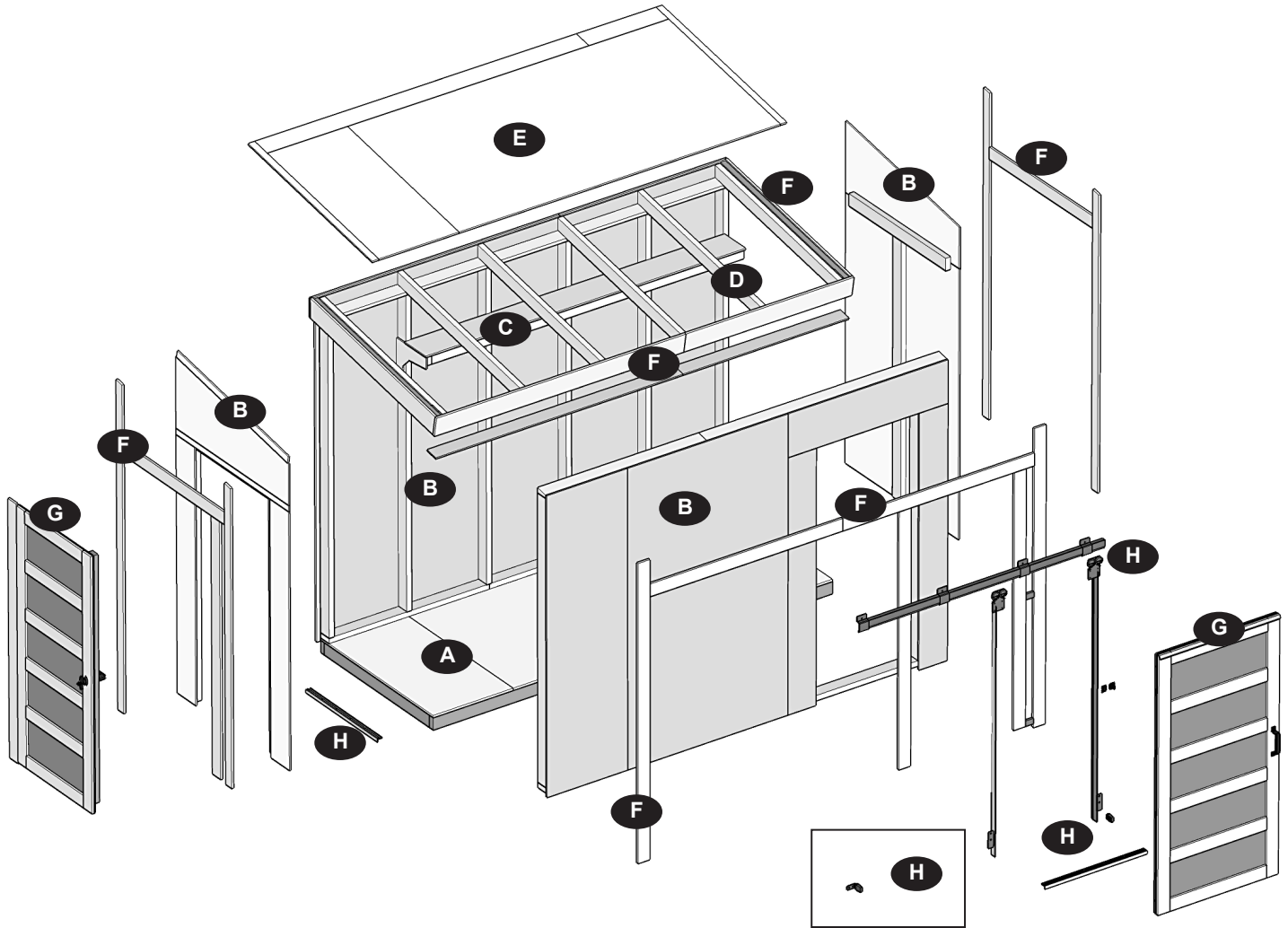
- x2** 2 x 4 x 10' (5,1 x 10,2 x 304,8 cm) ⚠ **MUST** be treated lumber.
- x1** 2 x 4 x 8' (5,1 x 10,2 x 243,8 cm) ⚠ **MUST** be treated lumber.
- x1** **Caulk**

⚠ Allow new concrete slabs to cure for at least seven (7) days.

- A treated 2 x 4" (5,1 x 10,2 cm) sill plate is required when installing your shed on concrete.
Hint: Use treated lumber in your kit or purchase full length treated lumber.
- Use a high quality exterior grade caulk beneath all sill plates.
- Fasten 2 x 4" (5,1 x 10,2 cm) sill plates to slab using approved concrete anchors (**fasteners not included**).
- Check local code for concrete foundation requirements.

NOTES

COMPONENT SECTION INDEX



| Description | Section | Page |
|------------------------|---------|------|
| Floor | A | 12 |
| Walls | B | 16 |
| Shelf | C | 29 |
| Rafters | D | 31 |
| Roof Panels | E | 33 |
| Trim | F | 35 |
| Doors & Door Trim | G | 42 |
| Door HDW. | H | 54 |
| Shingles/Roofing | | 59 |

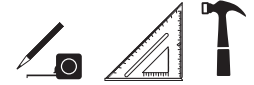
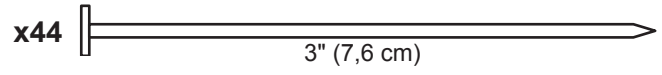
FLOOR FRAME

PARTS REQUIRED:

x2 TREATED 2 x 4 x 24" (5 x 10 x 61 cm)

x10 TREATED 2 x 4 x 45" (5 x 10 x 114,3 cm)

x2 TREATED 2 x 4 x 96" (5 x 10,2 x 243,8 cm)

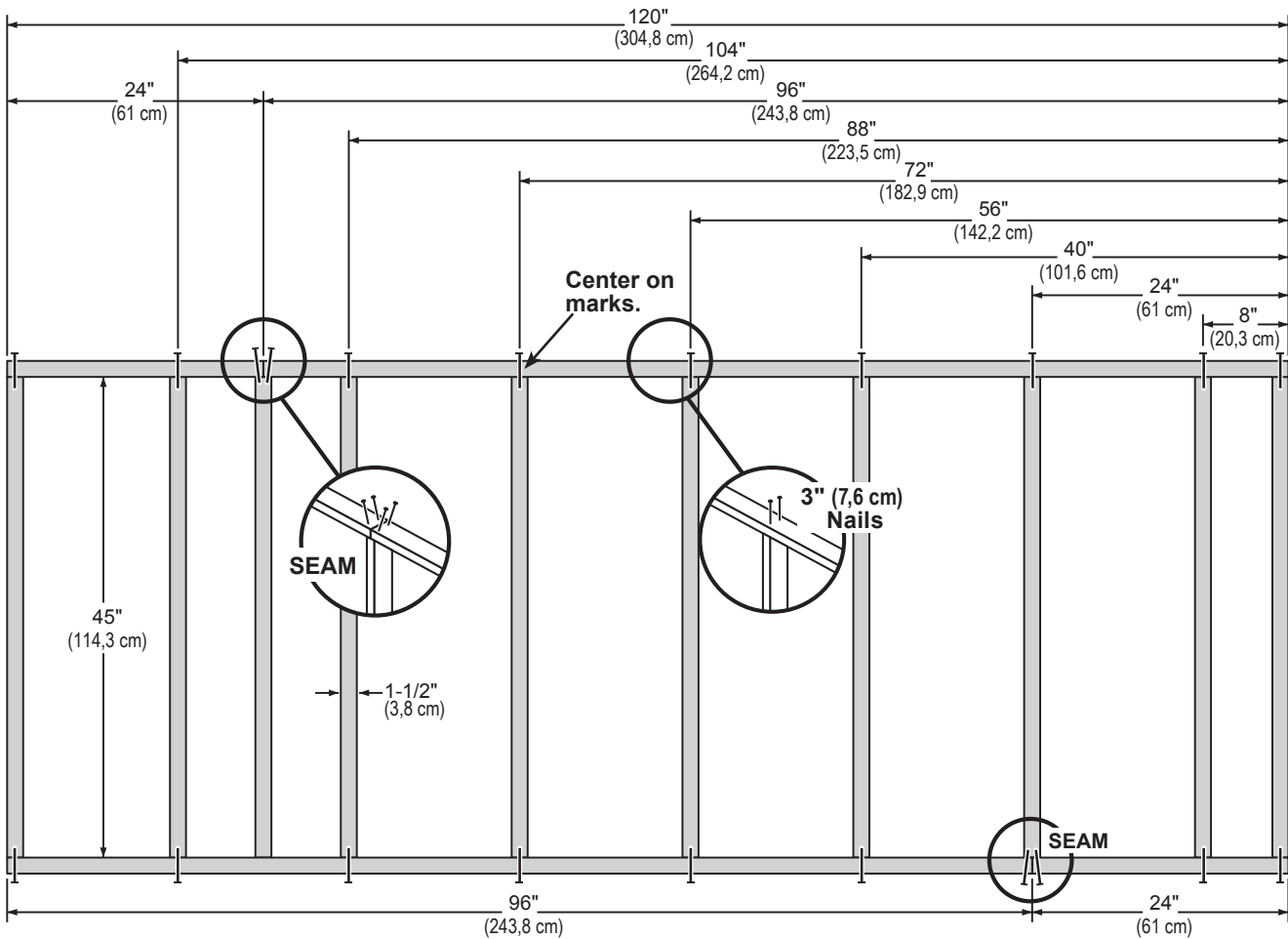
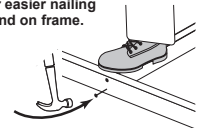


✓ BEGIN

1 Arrange parts on edge on a flat surface. Measure and mark dimensions from end of boards. Secure parts with (2) 3" nails at each mark and (4) 3" nails at seams.



HINT:
For easier nailing
stand on frame.



FINISH
Your floor frame is now assembled.

NOTE: The included floor is designed for general use. Depending on your specific use you may want to construct a heavy duty floor frame by adding additional floor joists (see page 3 for optional materials).

FLOOR FRAME



STOP!




LEVEL AND SQUARE FLOOR FRAME

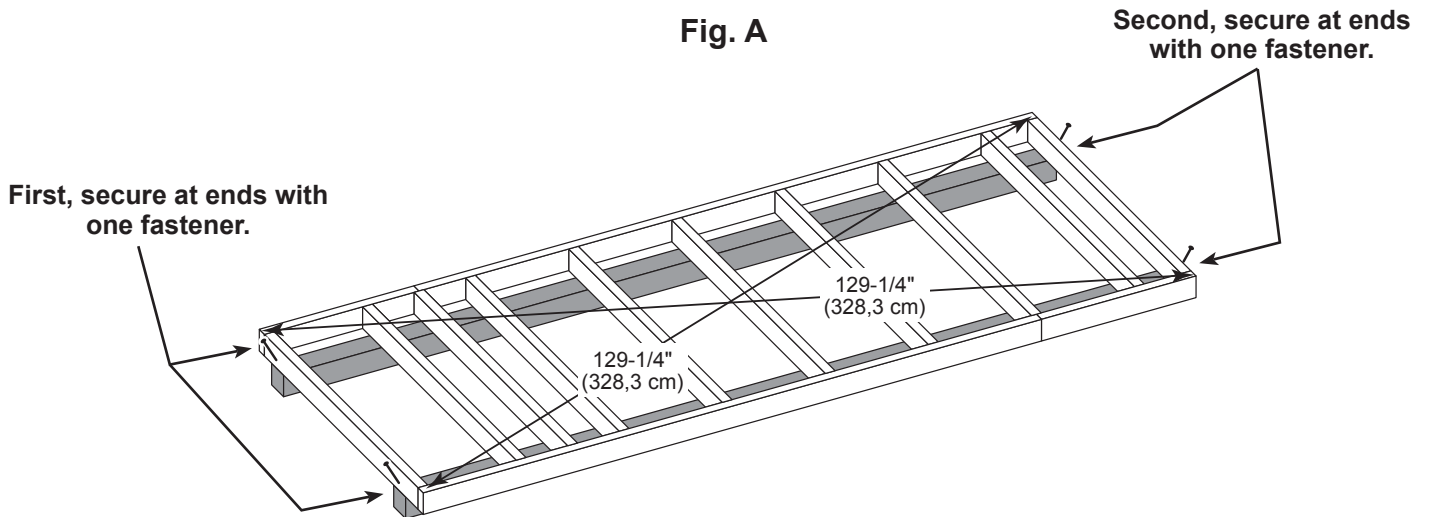


Before installing the floor decking, it is important to level and square the floor frame. A level and square floor frame is required to correctly construct your shed.

STOP!

BEGIN

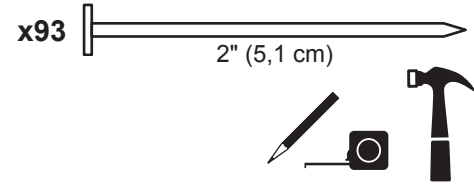
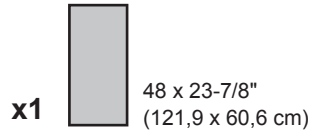
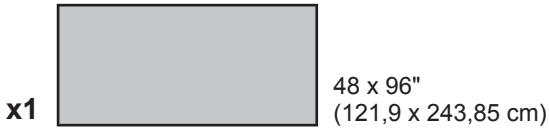
-  See page 9 for the preferred floor leveling method.
- Use level and check the frame is level before installing floor panels.
- Check for frame squareness by measuring diagonally across corners. If the measurements are the same, the frame is square. The diagonal measurement will be approximately 129-1/4" (328,3 cm).
- When the frame is level and square secure one side of frame to the 4x4 runners using one fastener at ends of each runner. At the opposite end of the frame, secure the frame to 4x4 runners with one fastener at the end of each runner making sure the frame remains square (**Fig. A**).



Once the floor frame is level and square, fasten the frame at each point where the frame contacts the 4x4 runners.

FLOOR PANELS

PARTS REQUIRED:

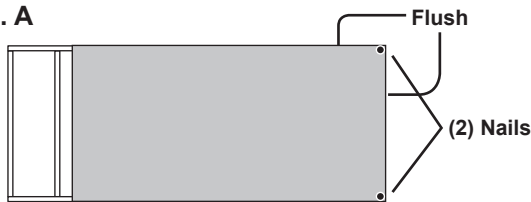


 **Ensure your floor frame is square by installing panel and squaring frame.**

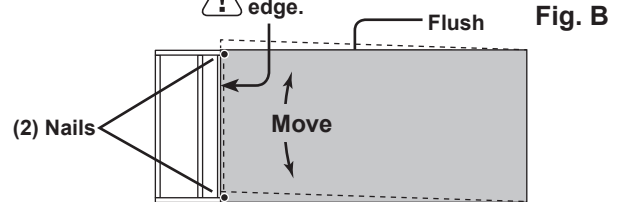
✓ BEGIN

- 1** Install the **48" x 96"** pro-struct panel with the 48" edge and corner flush to the floor frame (**Fig A**). Secure panel with (2) 2" nails in the corners. **Ensure that the 48" edge will be 3/4" on the floor joist.**
- 2** Move to the opposite end. Using the long edge of the panel as a lever, move the panel side-to-side until the 96" edges are flush to the floor frame (**Fig. B**). **Ensure that the 48" edge will be 3/4" on the floor joist.** Secure panel with (2) 2" nails in the corners.

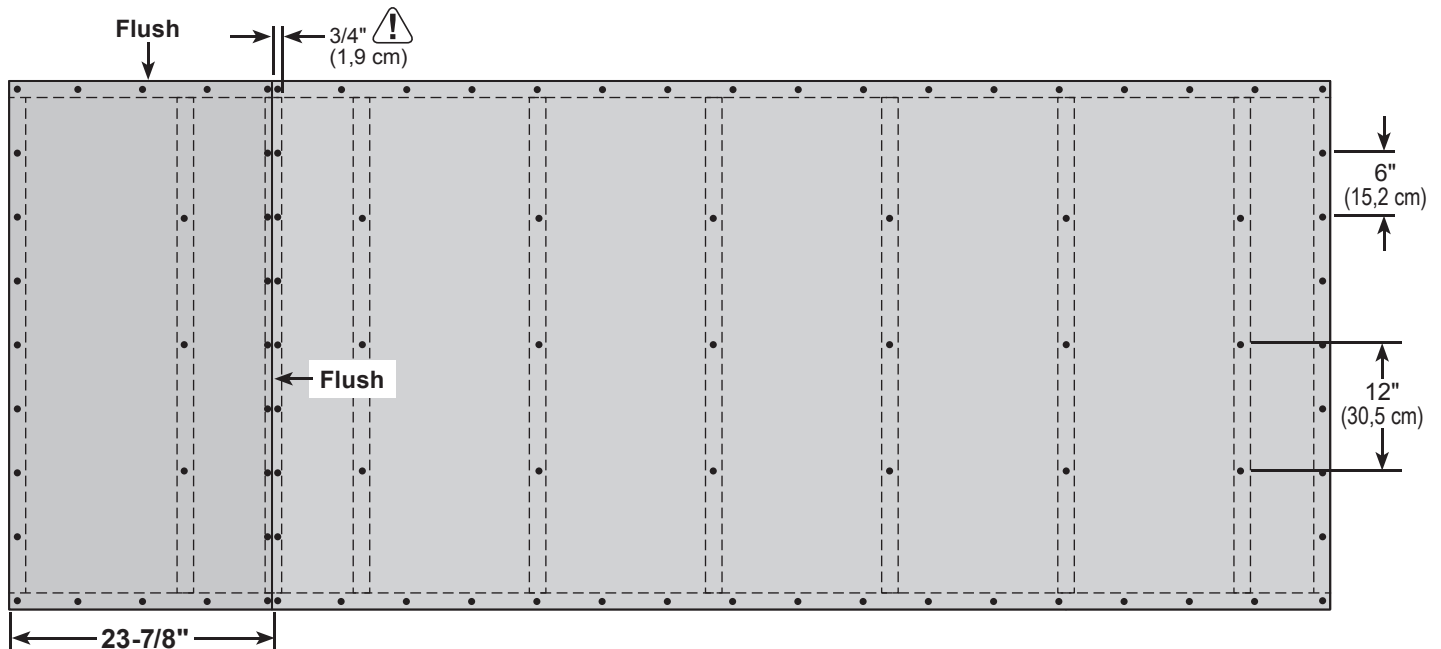
Fig. A



 3/4" on edge.



- 3** Install the **48" x 23-7/8"** pro-struct panel, flush along edges and flush to the installed panel. Secure with (1) 2" nail in each corner.



- 4** Continue securing the panels with 2" nails spaced 6" apart on edges and 12" apart inside panels.

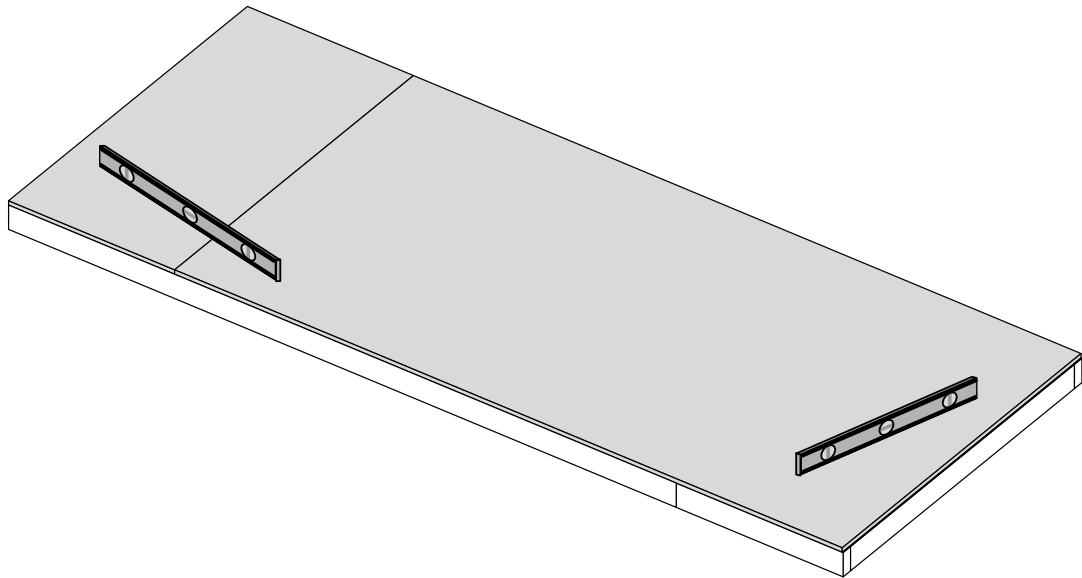


Your floor panels are now installed.

! IMPORTANT!

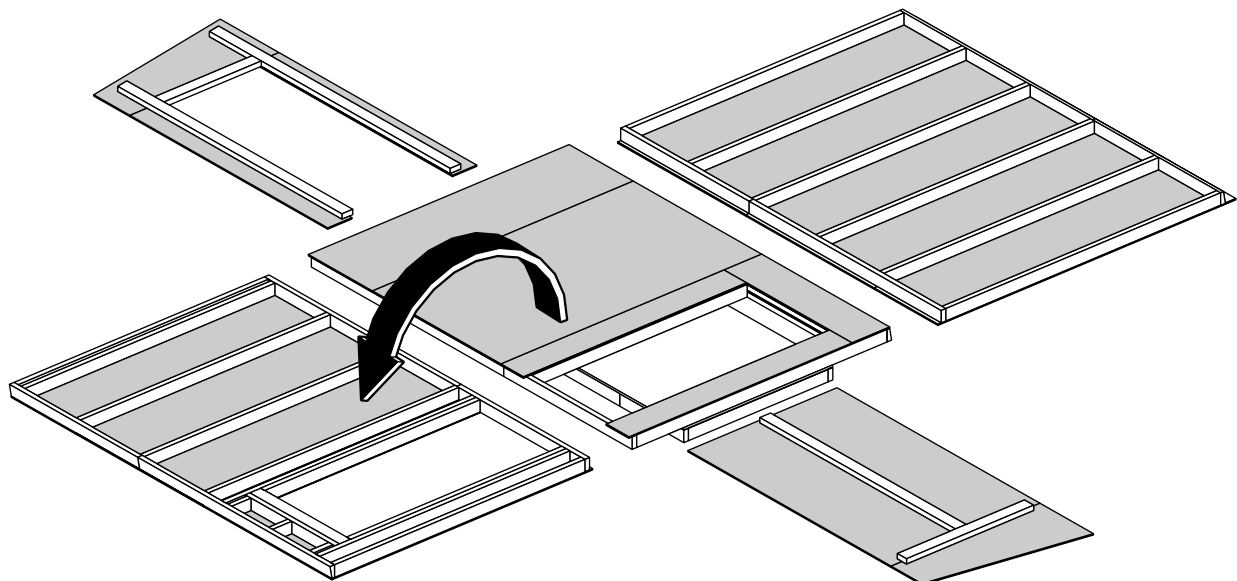


Check that the floor frame is level after installing floor panels.
Re-level if needed.



• The floor may be used as a stable work surface for wall construction.

HINT: • Organize your assembly procedure during the build process to avoid over-handling of the walls.



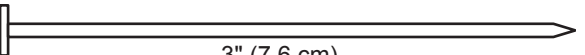
DOOR HEADER

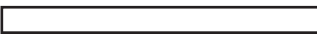
STOP!

Assemble this door header before building any walls!

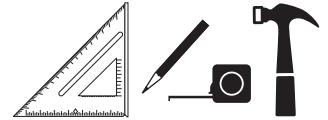
STOP!

PARTS REQUIRED:

x14  3" (7,6 cm)

x1  7/16" x 3-1/4" x 33-5/8" (1,1 x 8,3 x 85,4 cm) OSB

x2  **BZM** 2 x 4 x 33-5/8" (5,1 x 10,2 x 85,4 cm)

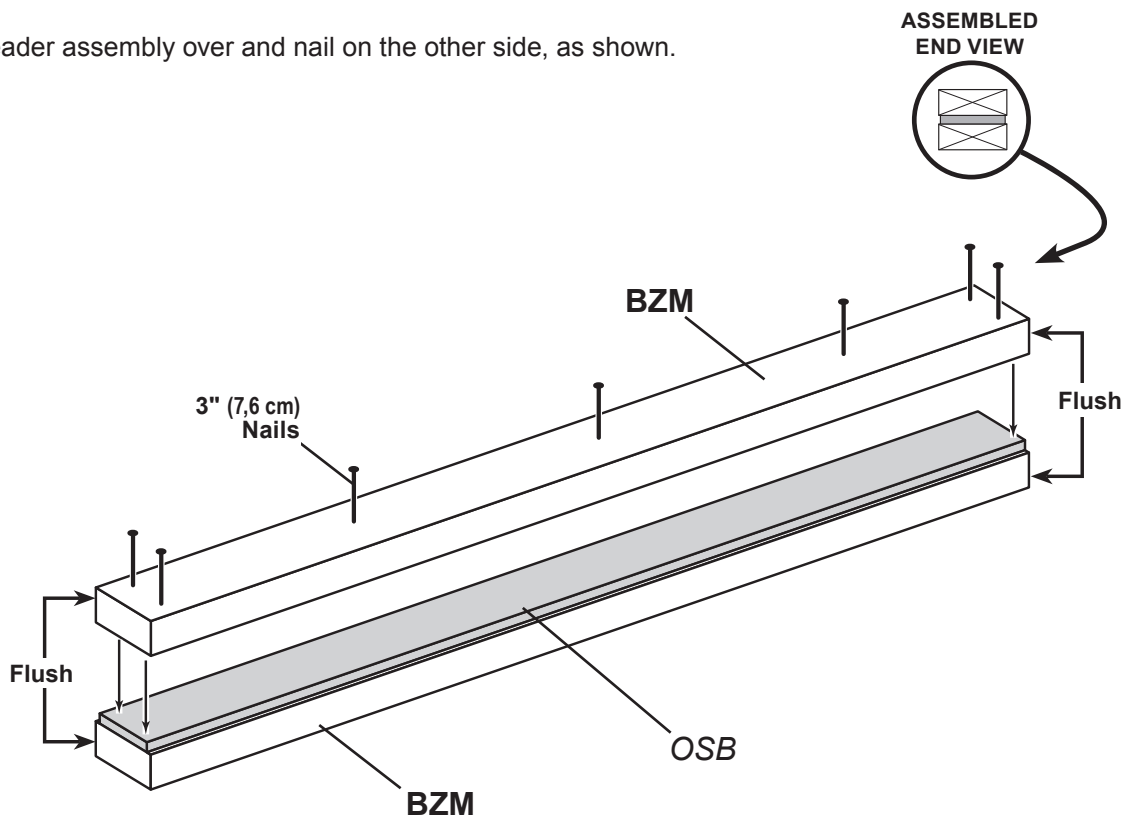


✓ BEGIN

- 1 Place (1) **BZM** and **OSB** end-to-end on flat surface, flush in middle.
Center **OSB** on top of **BZM**.

Fasten together with 3" nails in the pattern shown.

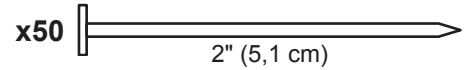
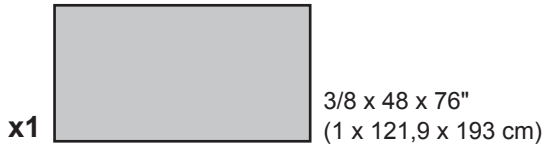
- 2 Flip header assembly over and nail on the other side, as shown.



Your door header is now assembled.

WALL PANEL INSTALLATION HINTS & EXAMPLES

PARTS REQUIRED:



 **Ensure your wall is square by installing one panel and squaring frame.**

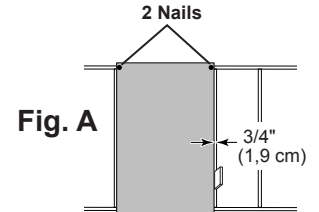
Install all wall panels with the primed side facing up.

✓ **BEGIN**

- 1** Place a 48" x 76" panel on the wall frame, as shown.
Locate the panel flush to the top plate.

HINT: Use a 3/4" piece of wood as a measuring guide to mark the 3/4" measurement on the wall stud.

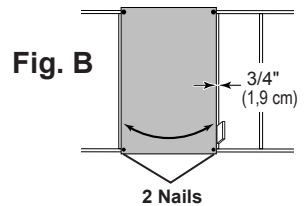
Secure panel with (2) 2" nails in the corners (**Fig. A**).



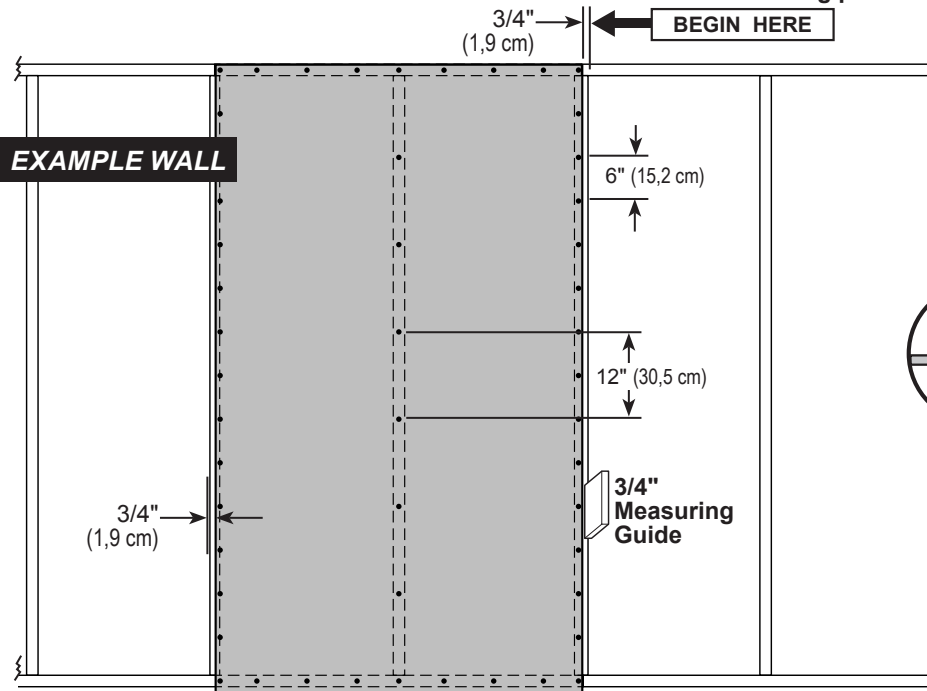
- 2** Move to the opposite end. Using the long edge of the panel as a lever, move the panel side-to-side until you have a 3/4" measurement on the wall stud.

Secure corner with (2) 2" nails (**Fig. B**).

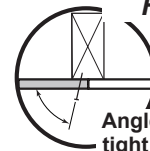
Secure panel with 2" nails spaced 6" apart on edges and 12" apart inside panel.



For squareness maintain 3/4" and 1-1/2" measurement along panel edge.



HINT

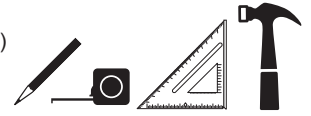


Angle nail to draw panels tight at seams.

FRONT WALL FRAME

PARTS REQUIRED:

| | | | | | |
|----|---|----|---|-----|-------------|
| x1 | BZM 2 x 4 x 33-5/8" (5,1 x 10,2 x 85,4 cm) | x3 | AYC 2 x 4 x 6-1/4" (5,1 x 10,2 x 15,9 cm) | x38 | 3" (7,6 cm) |
| x1 | SP 2 x 4 x 48" (5,1 x 10,2 x 121,9 cm) | x1 | RAC 2 x 3 x 4-1/8" (5,1 x 7,6 x 10,5 cm) | x3 | 3" (7,6 cm) |
| x2 | HUB 2 x 4 x 69-3/4" (5,1 x 10,2 x 177,2) | x2 | Header Spacer 7/16" x 3-1/2" x 6-1/4" (1,1 x 8,9 x 15,9 cm) | | |
| x2 | XMB 2 x 4 x 80-5/8" (5,1 x 10,2 x 204,8 cm) | x1 | Pre Assembled Header | | |

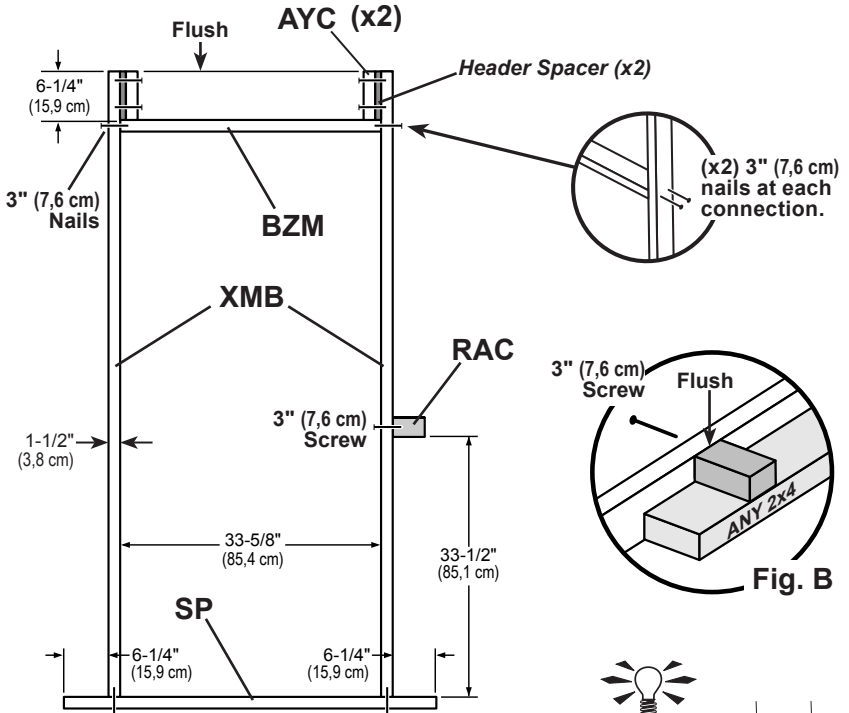


✓ BEGIN

1
Arrange parts on edge on a flat surface. Measure and mark.
Install (2) **AYC**, (1) **BZM** and (2) **XMB** studs with (2) **Header Spacers** between studs and **AYC**.
Secure with (2) 3" nails at each connection.

2
Install **SP** to studs at measurement shown. Secure with (2) 3" nails at each connection.

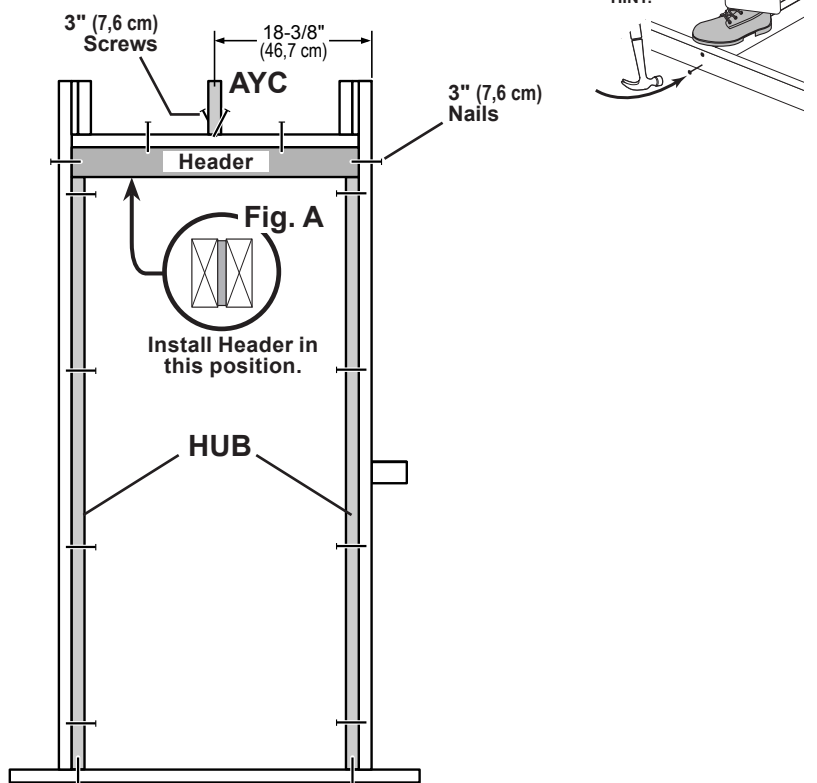
3
Install 2x3 Hasp Block **RAC** flush to top of stud (**Fig. B**).
Use any 2x4 from the kit as a temporary support under **RAC**.
Secure with (1) 3" screw. Pre drill screw hole.



4
Install **Preassembled Header** as in (**Fig. A**).
Secure with (2) 3" nails at each side and with (2) 3" nails from the top.






5
Install (1) middle **AYC** at measurement shown. Secure with (2) 3" screws at an angle.

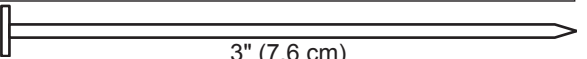
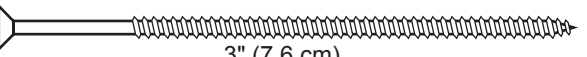

6
Install (2) jack studs **HUB**.
Secure with (2) 3" nails at locations shown.



FRONT WALL FRAME

PARTS REQUIRED:

- x1 **EMA**   Beveled Profile
2 x 4 x 48" (5,1 x 10,2 x 121,9 cm)
- x1 **GVC**   Beveled Profile
2 x 4 x 72" (5,1 x 10,2 x 182,9)
- x6 **XMB** 
2 x 4 x 80-5/8" (5,1 x 10,2 x 204,8 cm)

- x40  3" (7,6 cm)
- x1  3" (7,6 cm)
- x1 **TM** 
2 x 4 x 72" (5,1 x 10,2 x 182,9 cm)



7

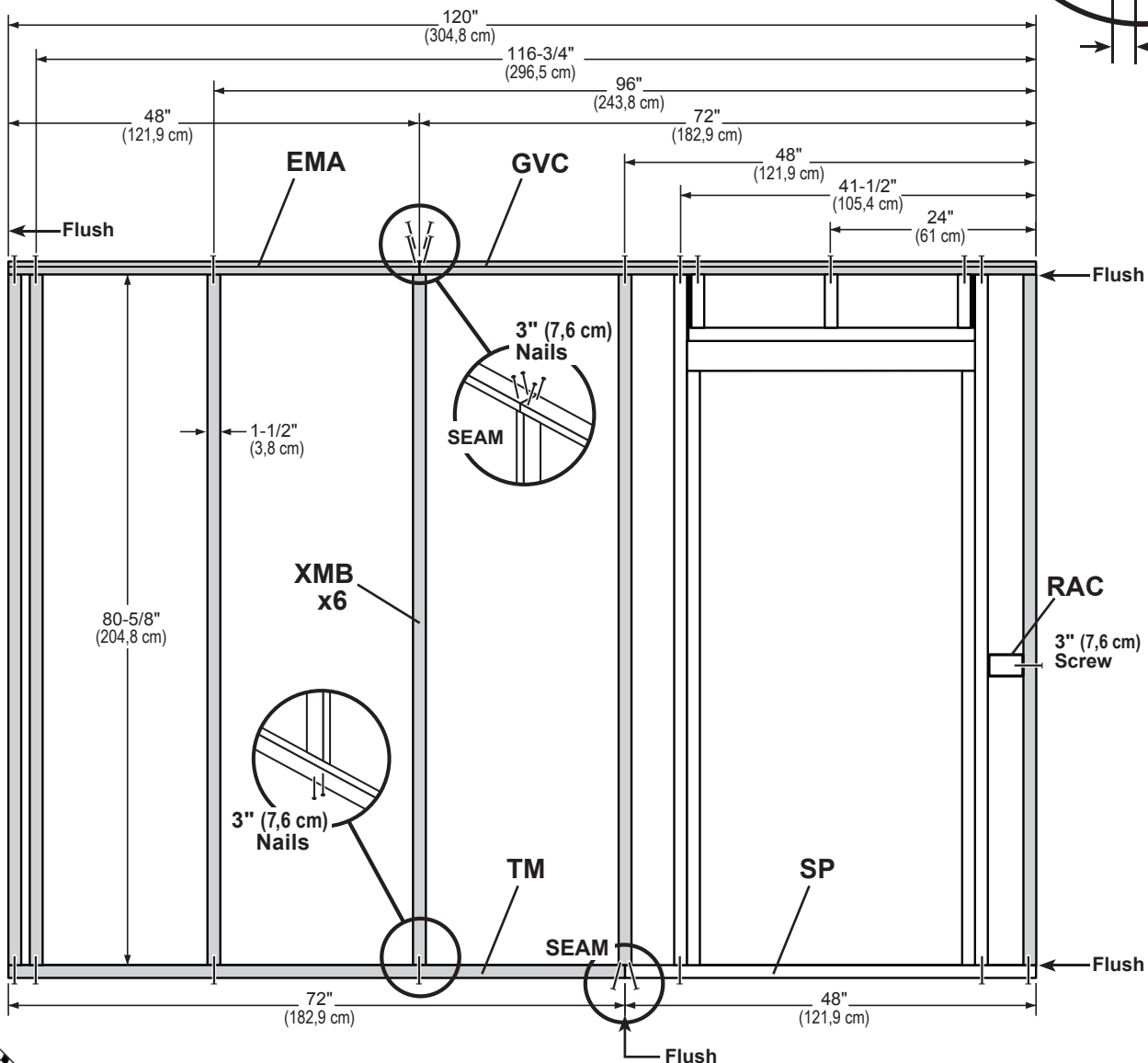
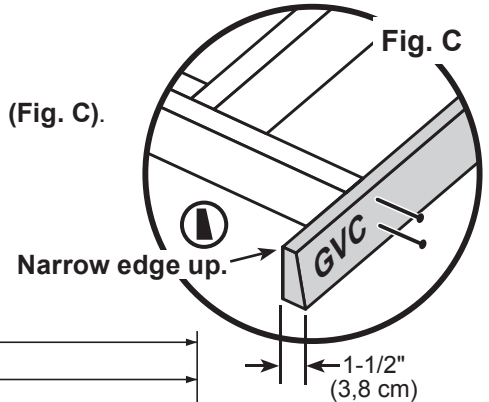
Arrange parts on edge on flat surface. Measure and mark.

Ensure profile angle of (2) top plates **GVC** and **EMA** are with the narrow edge up (**Fig. C**).

Secure parts with (2) 3" nails at each mark and (4) 3" nails at seams.

Secure **XMB** to Hasp Block **RAC** with (1) 3" screw.

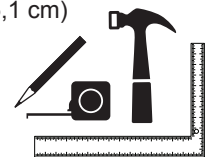
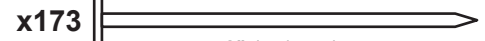
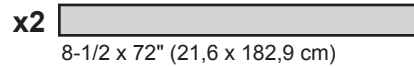
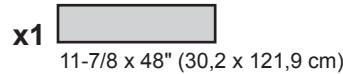
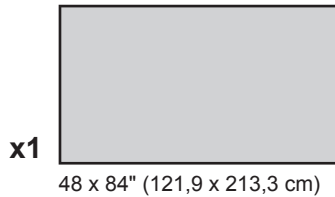
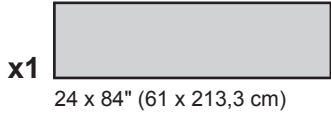
Pre-drill screw hole.



Your front wall frame is now assembled.

FRONT WALL PANELS

PARTS REQUIRED:



✓ BEGIN

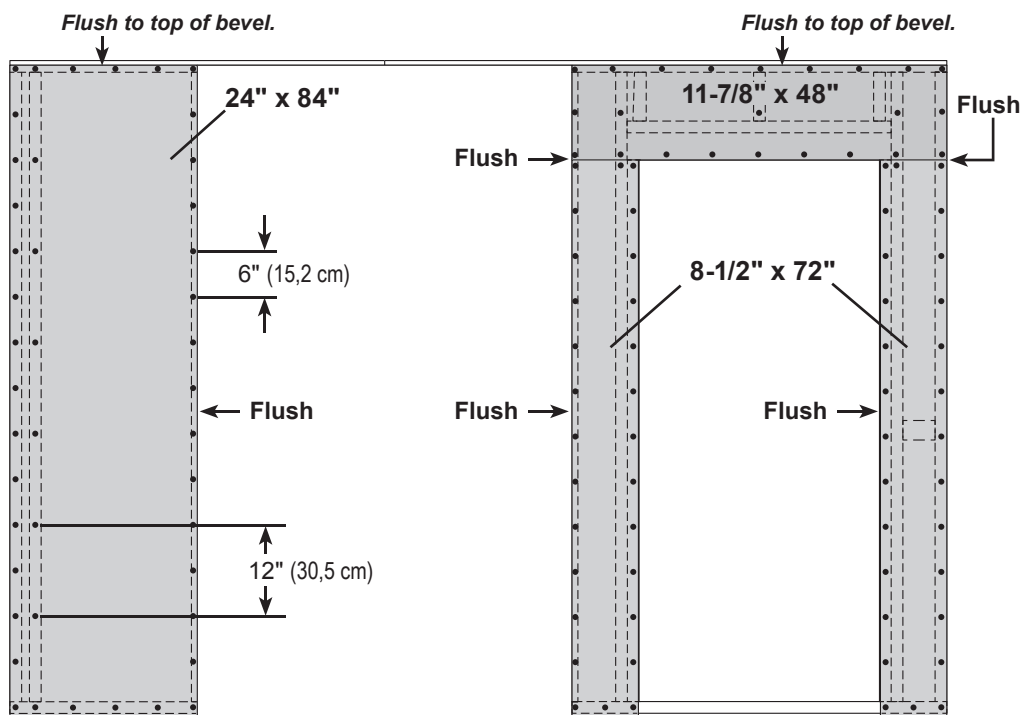
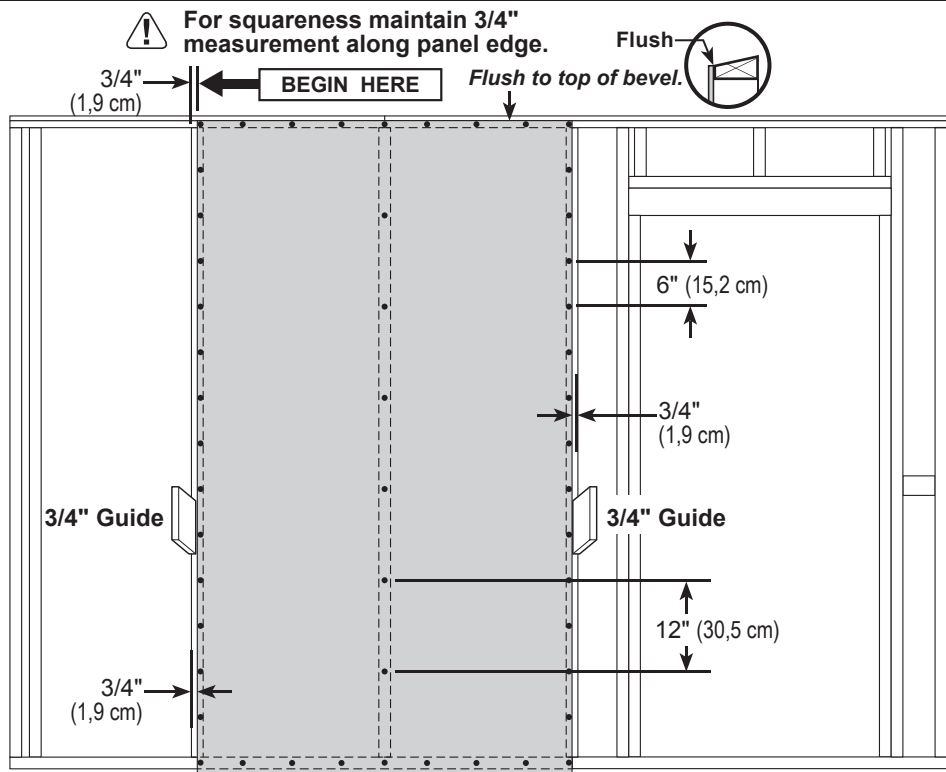
1
Install (1) 48" x 84" panel flush to bevelled edge of top plate.
Use a 3/4" piece of wood as a measuring guide to mark the 3/4" measurement on the wall studs.
Secure panel with 2" nails spaced 6" apart along edges and 12" apart on inside of panels.

2
Install (1) 24" x 84" panel flush to installed panel and flush to bevelled edge of top plate.
Secure panel with 2" nails spaced 6" apart along edges and 12" apart on inside of panel.

3
Install panels in the following order:

1. (1) 11-7/8" x 48" over door panel.
Flush panel to bevelled edge of top plate and flush to installed panel.
Secure panel with 2" nails spaced 6" apart.



2. (2) 8-1/2" x 72" door filler panels flush to door frame and flush to installed panels.
Secure panels with 2" nails spaced 6" apart and 12" apart on inside of panel..

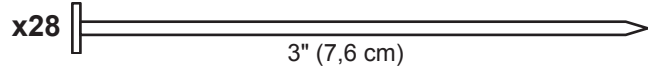


You have finished building your front wall. Carefully flip the wall over.

BACK WALL FRAME

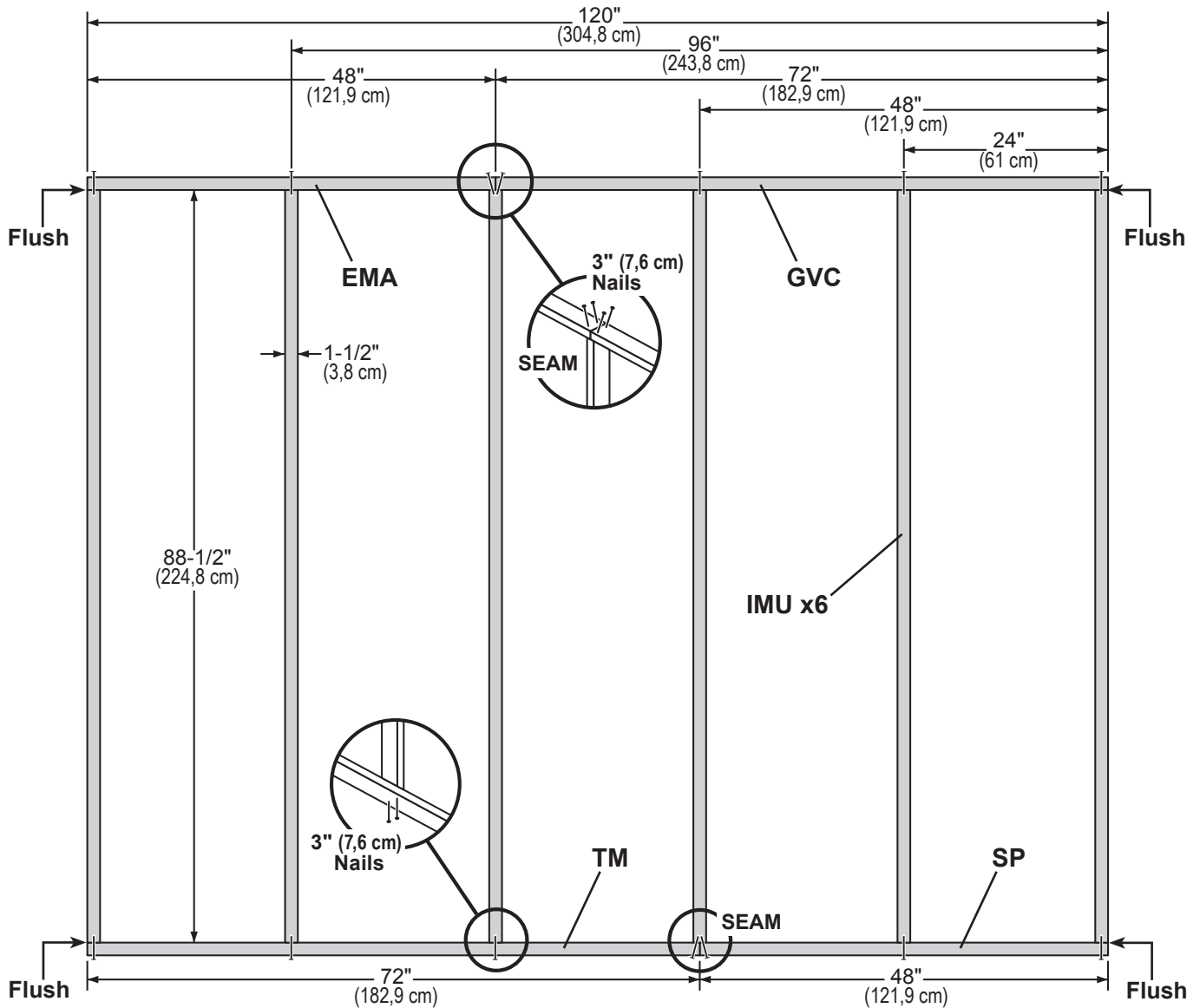
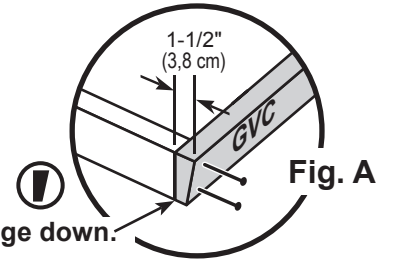
PARTS REQUIRED:

- x1 **SP** 2 x 4 x 48" (5,1 x 10,2 x 121,9 cm)
- x1 **TM** 2 x 4 x 72" (5,1 x 10,2 x 182,9 cm)
- x6 **IMU** 2 x 4 x 88-1/2" (5,1 x 10,2 x 224,8 cm)
- x1 **EMA** 2 x 4 x 48" (5,1 x 10,2 x 121,9 cm)  Beveled Profile
- x1 **GVC** 2 x 4 x 72" (5,1 x 10,2 x 182,9)  Beveled Profile



BEGIN
1

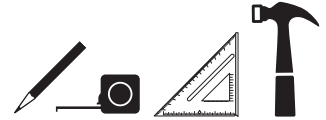
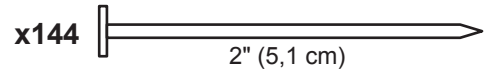
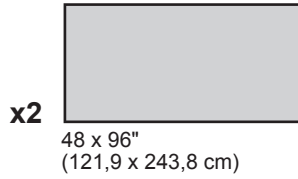
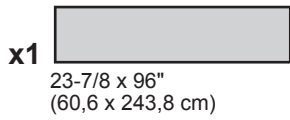
Arrange parts on edge on flat surface. Measure and mark.
 Ensure profile angle of (2) top plates **GVC** and **EMA** are correct (**Fig. A**).
 Secure with (2) 3" nails at each mark and (4) 3" nails at the seam.



Your back wall frame is assembled.

BACK WALL PANELS

PARTS REQUIRED:



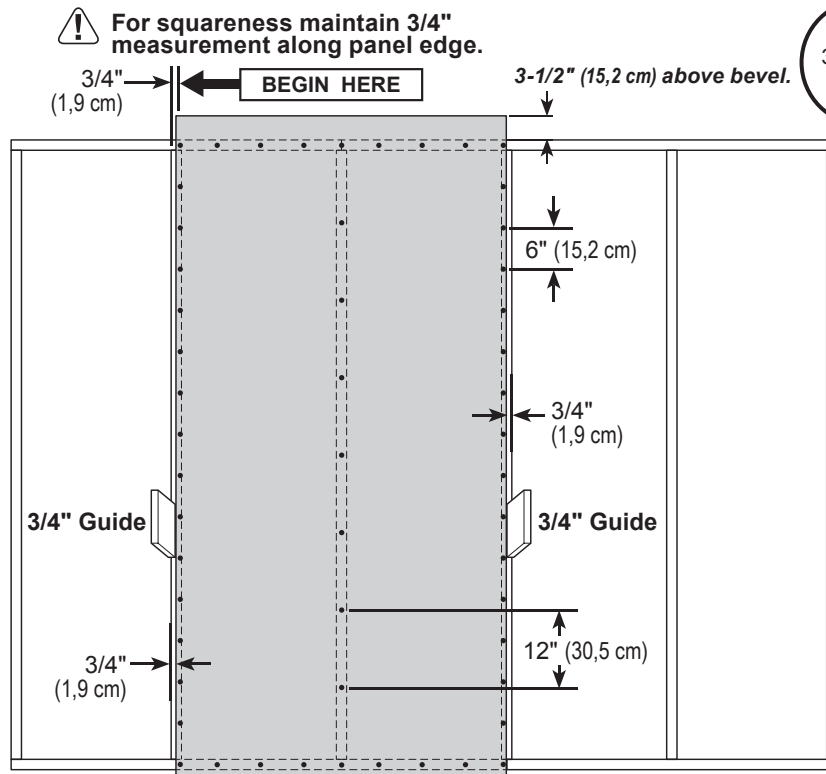
✓ BEGIN

1
Install (1) 48" x 96" panel 3-1/2" above bevelled edge of top plate.

HINT: Use a 2x4 as a temporary measurement guide where panels overhang top plate.

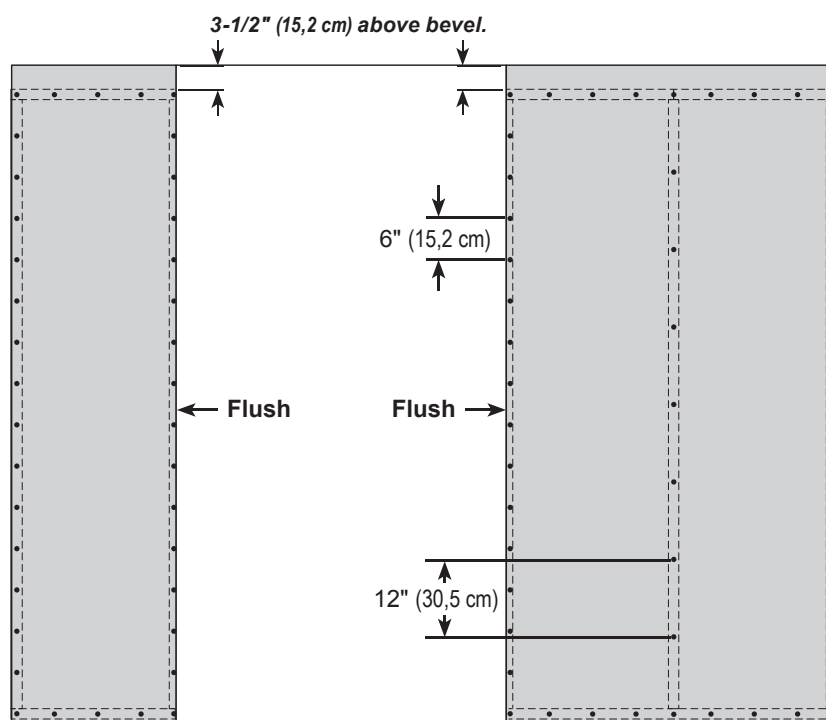
Use a 3/4" piece of wood as a measuring guide to mark the 3/4" measurement on the wall studs.

Secure panel with 2" nails spaced 6" apart along edges and 12" apart on inside of panels.



2
Install (1) 23-7/8" x 96" and (1) 48" x 96" panel flush to installed panel and flush to bevelled edge of top plate.

Secure panels with 2" nails spaced 6" apart along edges and 12" apart on inside of panel.



Your have finished your back wall. Carefully flip the wall over.

LEFT SIDE WALL

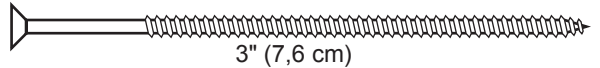
PARTS REQUIRED:

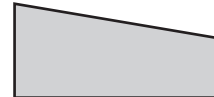
x1 **LBA**
2 x 4 x 31-5/16" (5,1 x 10,2 x 81,1 cm)


x1 **FVA**
2 x 4 x 84-9/16" (5,1 x 10,2 x 214,8 cm)

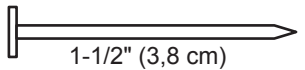
x1 **DKC**
2 x 4 x 90-11/16" (5,1 x 10,2 x 230,3 cm)

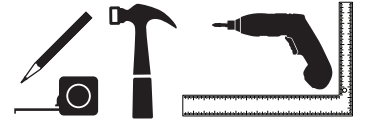
x2
7-13/16" x 72" (19,8 x 182,9 cm)

x4  3" (7,6 cm)

x1  20" x 48" (50,8 x 121,9 cm)

x1  2" x 48" (5,1 x 121,9 cm)

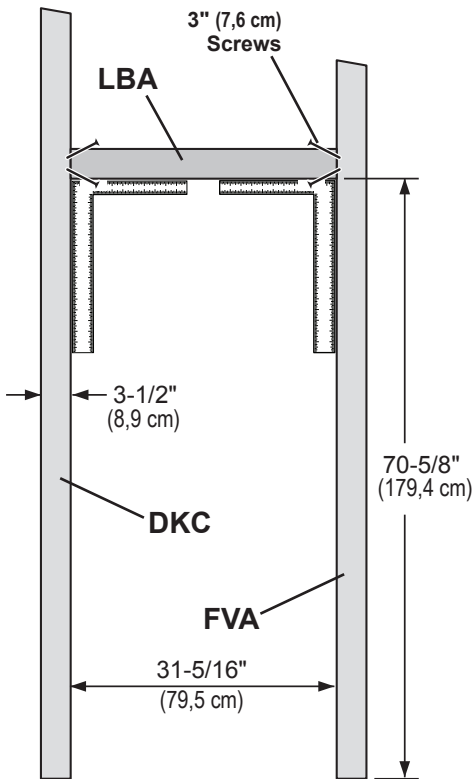
x45  1-1/2" (3,8 cm)



✓ BEGIN 1

Arrange parts on flat sides on a flat surface. Measure and mark.

Secure **LBA** to studs with (4) 3" screws, as shown.



2

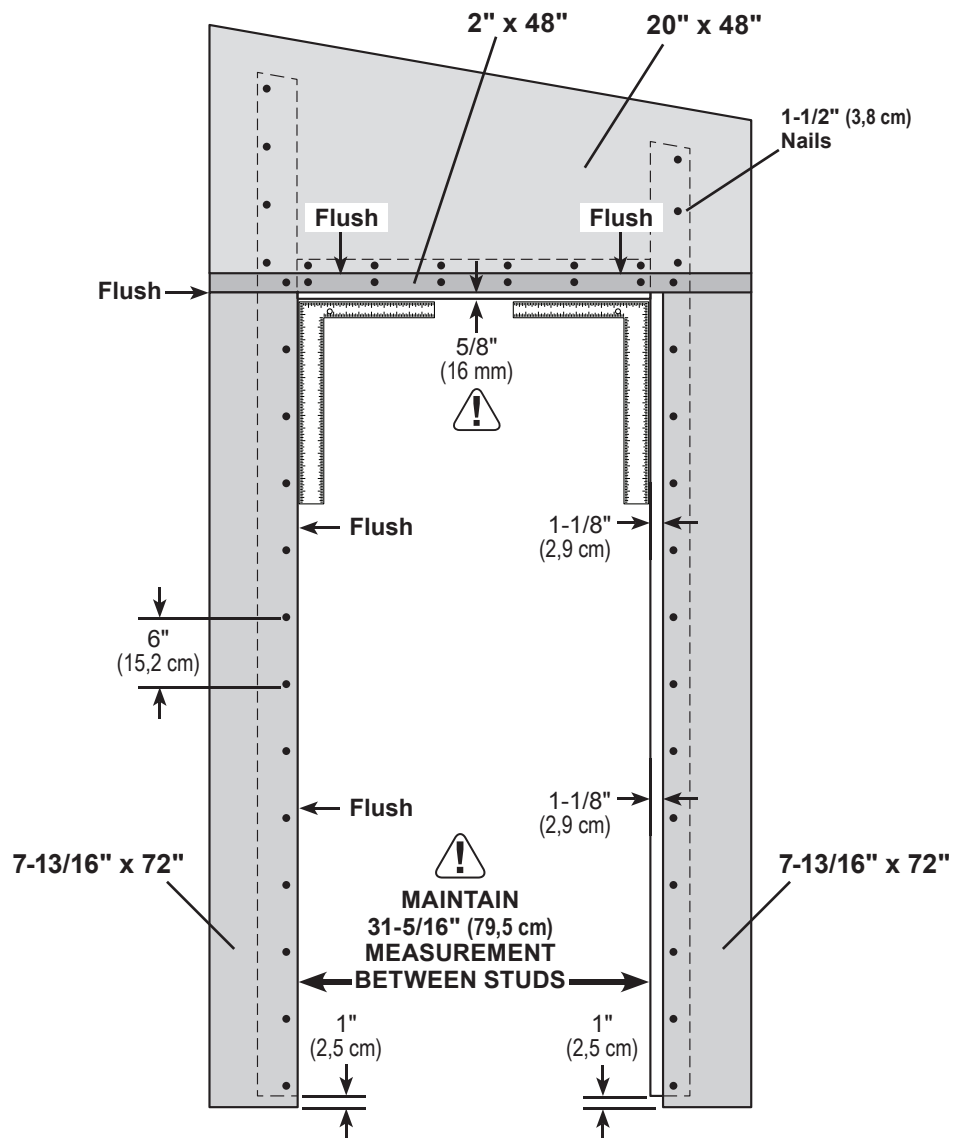
Install all panels to the measurements shown, with the primed side facing up.

A. Install (2) 7-13/16" x 72" panels.

B. Install the 2" x 48" filler panel between installed panels.

C. Install the upper 20" x 48" panel flush to installed panels.

Secure panels with 1-1/2" nails spaced 6" apart, as shown.





You have finished your left wall. Carefully flip the wall over.


RIGHT SIDE WALL

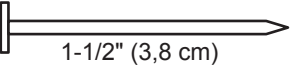
PARTS REQUIRED:

x1 **VWA**
2 x 4 x 41" (5,1 x 10,2 x 104,1 cm)

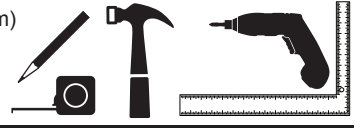
x1 
48 x 76" (121,9 x 193 cm)

x2 
3" (7,6 cm)

x1 
20" x 48" (50,8 x 121,9 cm)

x27 
1-1/2" (3,8 cm)

x1 **CXB**
2 x 4 x 73-1/4" (5,1 x 10,2 x 186,1 cm)

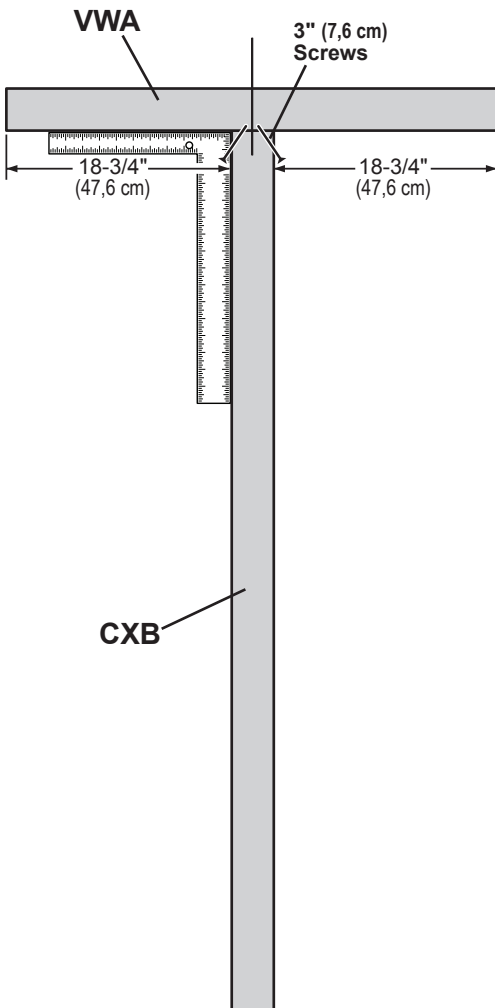


✓ BEGIN

1

Arrange parts on flat sides on a flat surface. Measure and mark.

Secure **CXB** to **VWA** with (2) 3" screws, as shown.



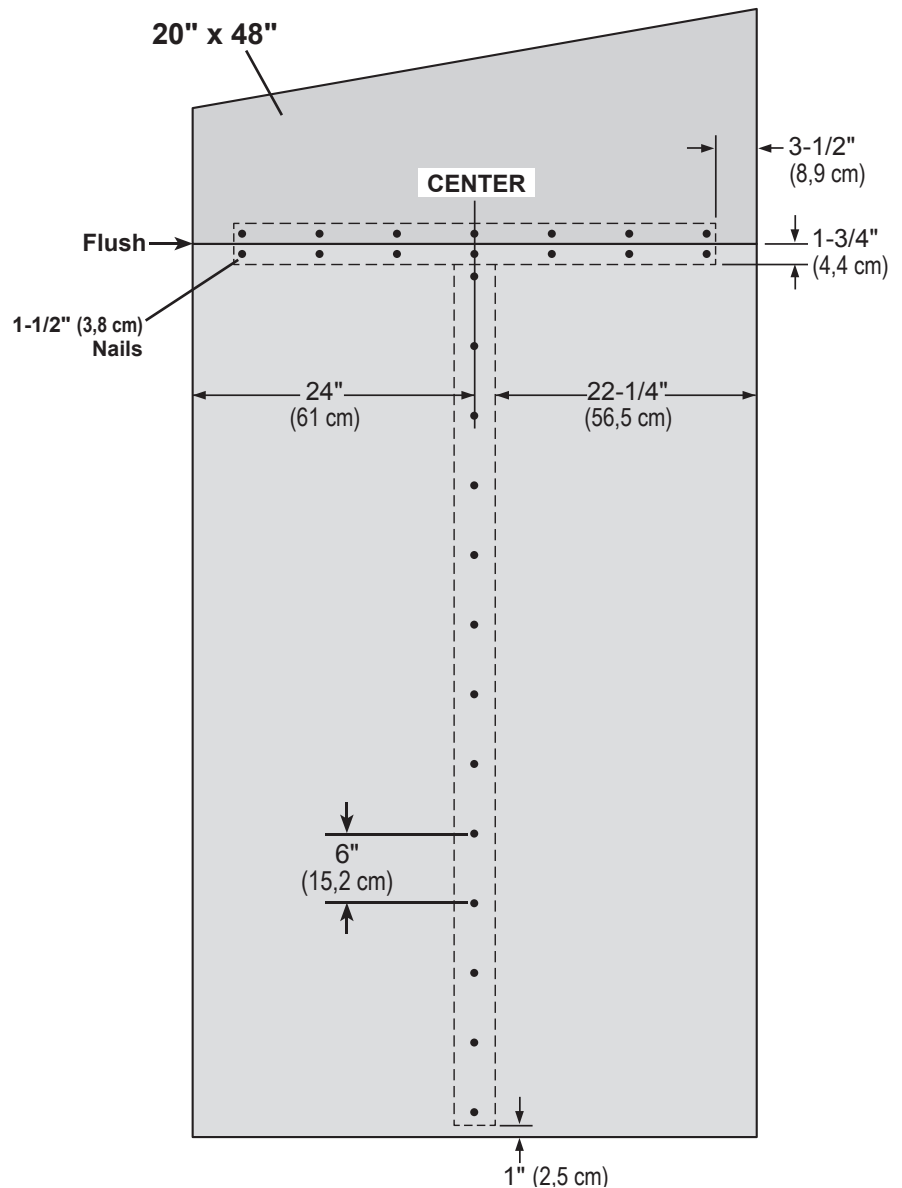
2

Install panels to the measurements shown, with the primed side facing up.

A. Center the 48" x 76" panel.

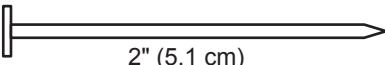
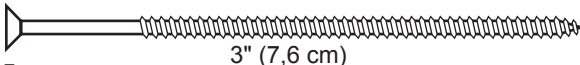

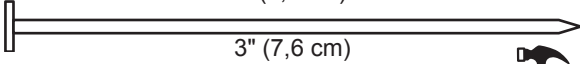
B. Install the upper 20" x 48" panel flush to installed panel.


Secure panels with 1-1/2" nails spaced 6" apart, as shown.



You have finished your right wall.
Carefully flip the wall over.

BACK WALL INSTALLATION

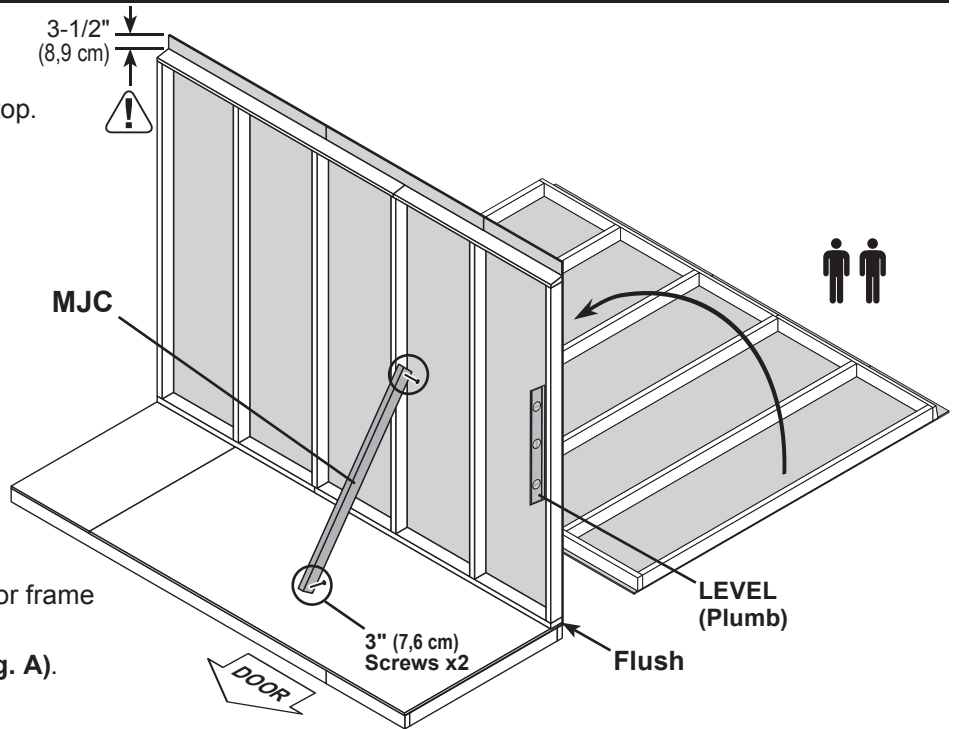
PARTS REQUIRED: x23  x2 
 x1 **MJC** **TEMPORARY SUPPORT**  x10 
 2 x 4 x 53-1/2" (5,1 x 10,2 x 135,9 cm)



✓ **BEGIN**

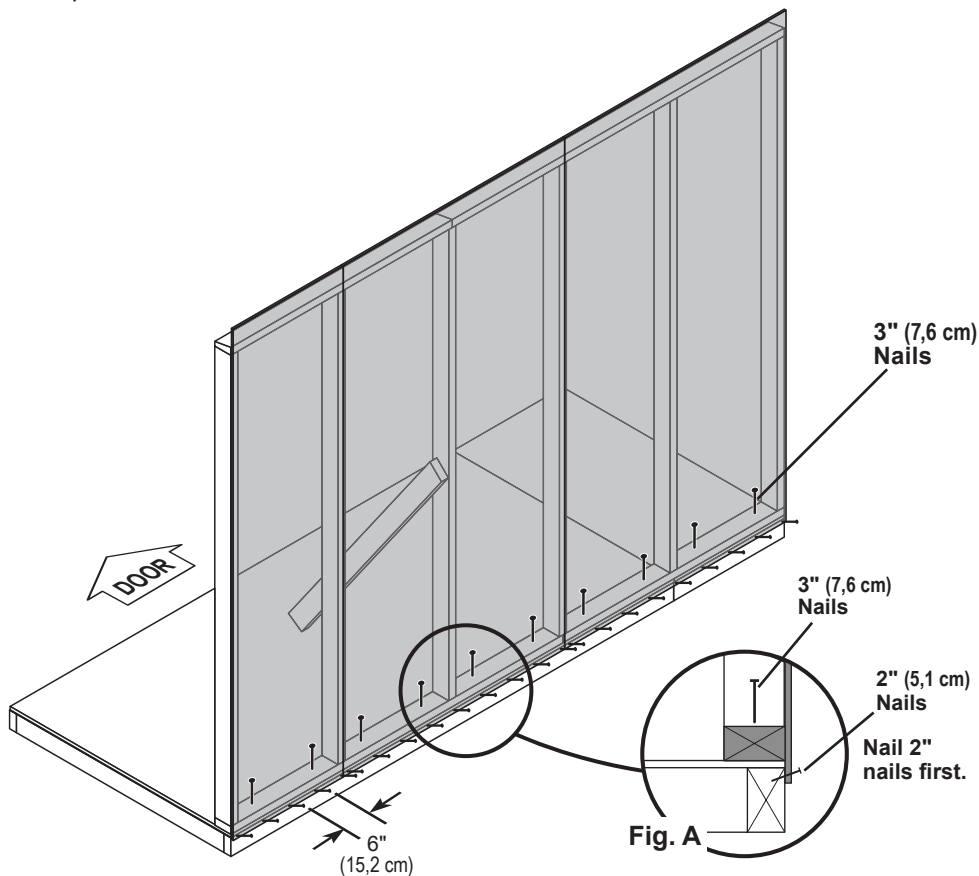
- Center back wall on the floor.
The 3-1/2" measurement is at the top.

Install **MJC** as a temporary brace.
Secure with (2) 3" screws.



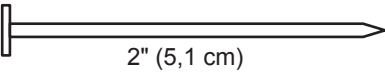
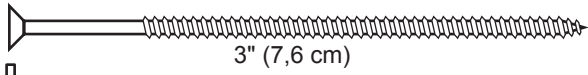
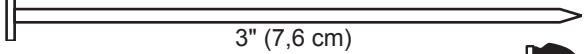
- Secure lower edge of panels to floor frame with 1-1/2" nails spaced 6" apart.
Angle nails into the floor frame (**Fig. A**).

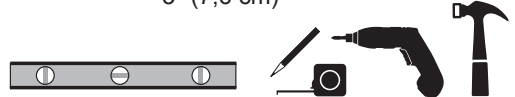
- Secure bottom plates to floor with 3" nails.



FRONT WALL INSTALLATION

PARTS REQUIRED:

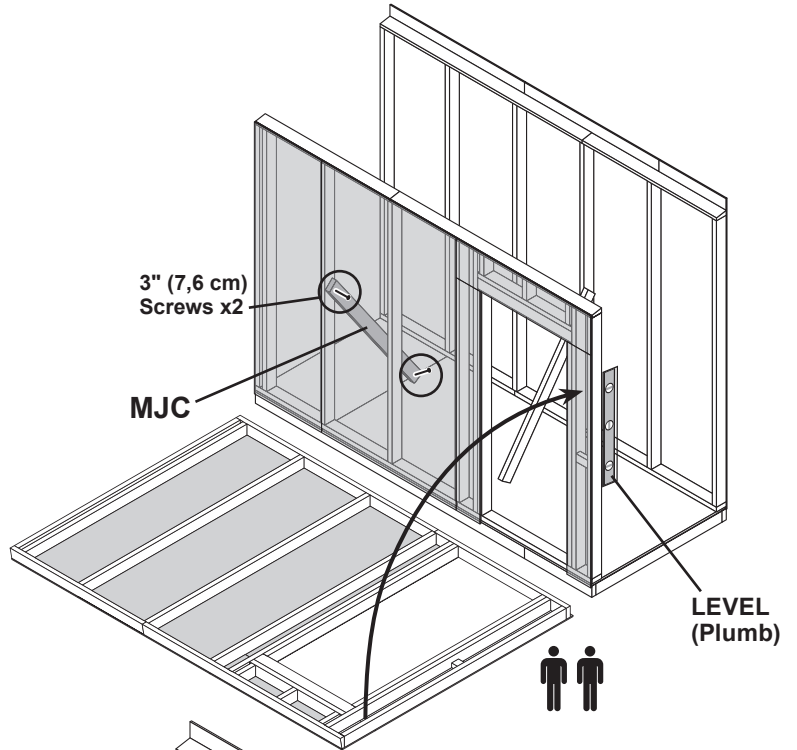
- x18  2" (5,1 cm)
- x4  3" (7,6 cm)
- x8  3" (7,6 cm)
- x1 **MJC** TEMPORARY SUPPORT
2 x 4 x 53-1/2" (5,1 x 10,2 x 135,9 cm)



BEGIN

- Center back wall on the floor.
The 3-1/2" measurement is at the top.

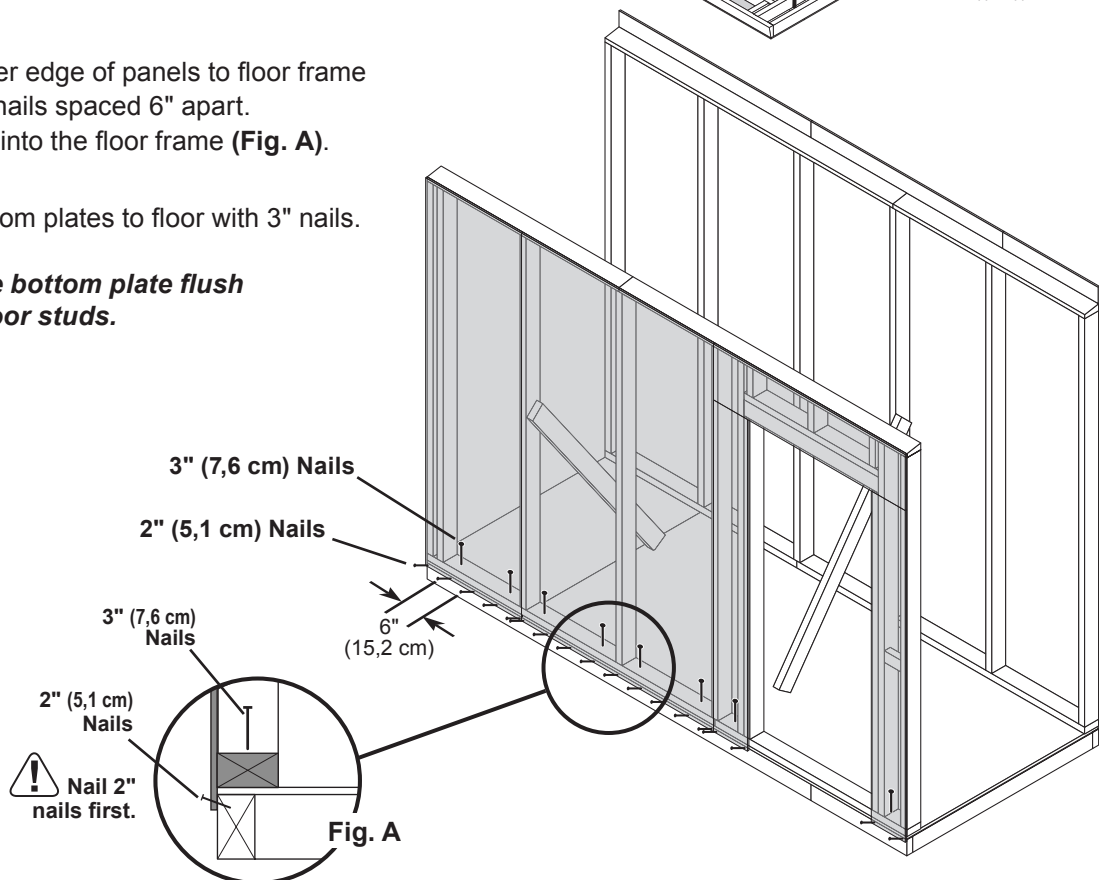
Install **MJC** as a temporary brace.
Secure with (2) 3" screws.



- Secure lower edge of panels to floor frame with 1-1/2" nails spaced 6" apart.
Angle nails into the floor frame (**Fig. A**).

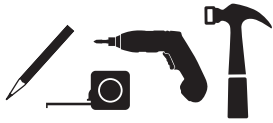
- Secure bottom plates to floor with 3" nails.

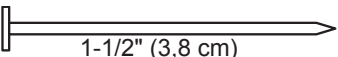

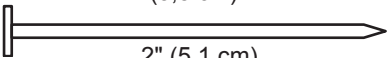
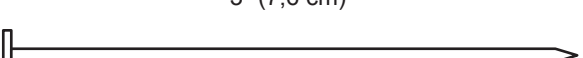
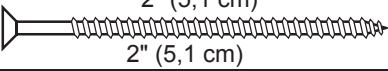
Cut out the bottom plate flush with the door studs.



RIGHT WALL INSTALLATION

PARTS REQUIRED



| | | | |
|-----|---|----|--|
| x33 |  | x4 |  |
| x9 |  | x2 |  |
| x4 |  | | |

✓ BEGIN

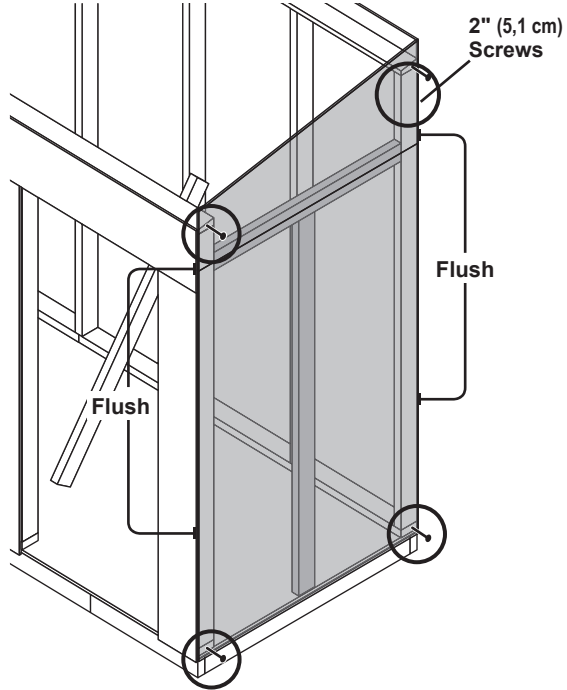
1

Center right wall on the floor.
Flush wall panel to front and back panel edges.

⚠ ENSURE PANEL CORNERS ARE FLUSH.

Secure wall with 2" screws to front and back wall bottom and top plates.

Secure wall to bottom plate first.



2

Secure lower edge of wall panels to floor with 2" nails spaced 6" apart. Angle nails into the floor frame (Fig. A).

3

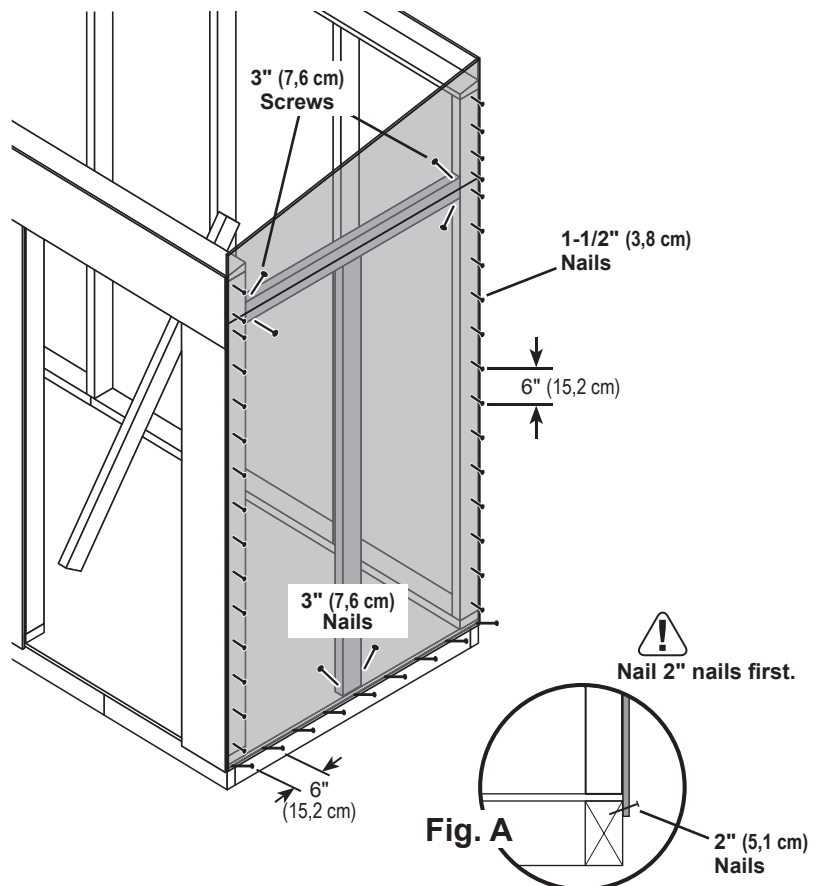
Secure right wall panel to front and back corner studs with 1-1/2" nails spaced 6" apart.

4

Working inside, secure wall brace to front and back studs with 3" screws. Angle screws as shown.

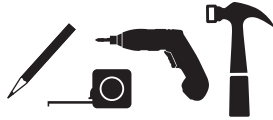
5

Secure center wall stud to floor with (2) 3" nails.



LEFT WALL INSTALLATION

PARTS REQUIRED



x33 1-1/2" (3,8 cm)

x2 3" (7,6 cm)

x6 2" (5,1 cm)

x4 2" (5,1 cm)

✓ BEGIN

1

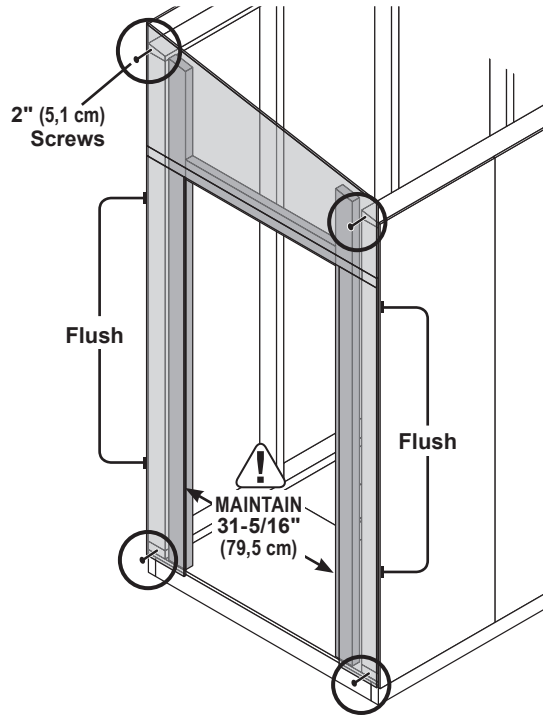
Center left wall on the floor.
Flush wall panel to front and back panel edges.

⚠ ENSURE PANEL CORNERS ARE FLUSH.

⚠ ENSURE 31-5/16" (79,5 cm) MEASUREMENT BETWEEN DOOR STUDS.

Secure wall with 2" screws to front and back wall bottom and top plates.

Secure wall to bottom plate first.



2

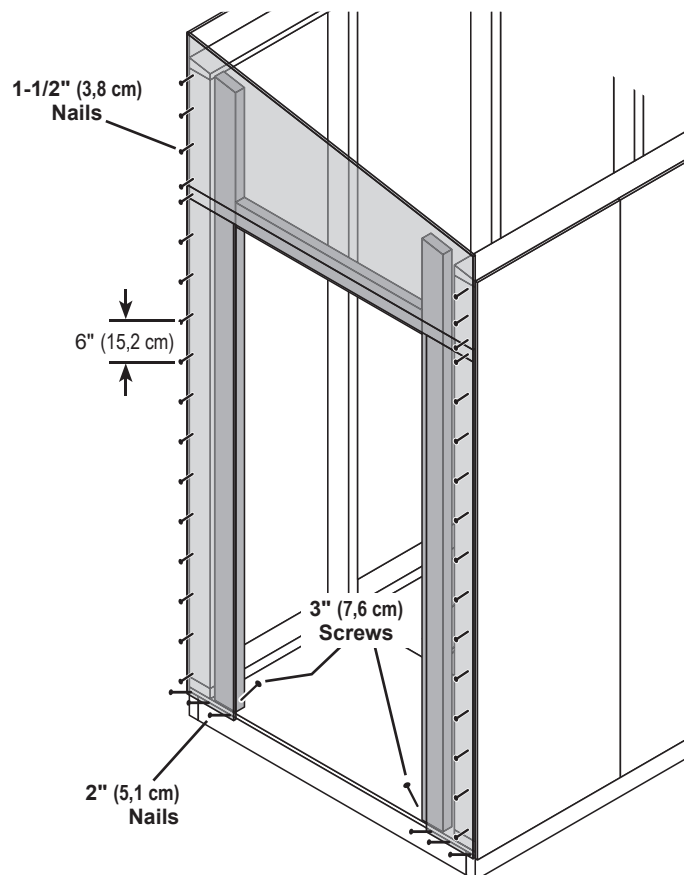
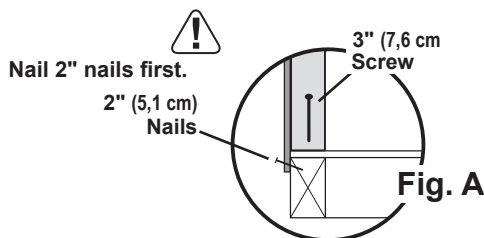
Secure lower edge of wall panels to floor with (6) 2" nails spaced evenly.
Angle nails into the floor frame (**Fig. A**).

3

Secure left wall panels to front and back corner studs with 1-1/2" nails spaced 6" apart.

4

Working inside, secure door studs to floor with (2) 3" screws.
Angle screws as shown (**Fig. A**).



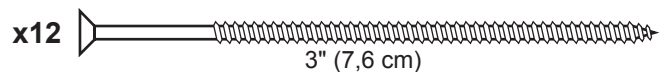
Your walls are now installed.

Remove temporary supports.

SHELF

PARTS REQUIRED

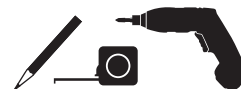
x2 **WDB** 2 x 3 x 5-3/4" (5,1 x 7,6 x 14,6 cm)



x1 **JPA** 2 x 3 x 8-3/4" (5,1 x 7,6 x 22,2 cm)

x1 **RTB**
2 x 3 x 93-3/4" (5,1 x 7,6 x 238,1 cm)

x1 **CTZ**
2 x 4 x 93-3/4" (5,1 x 10,2 x 238,1 cm)

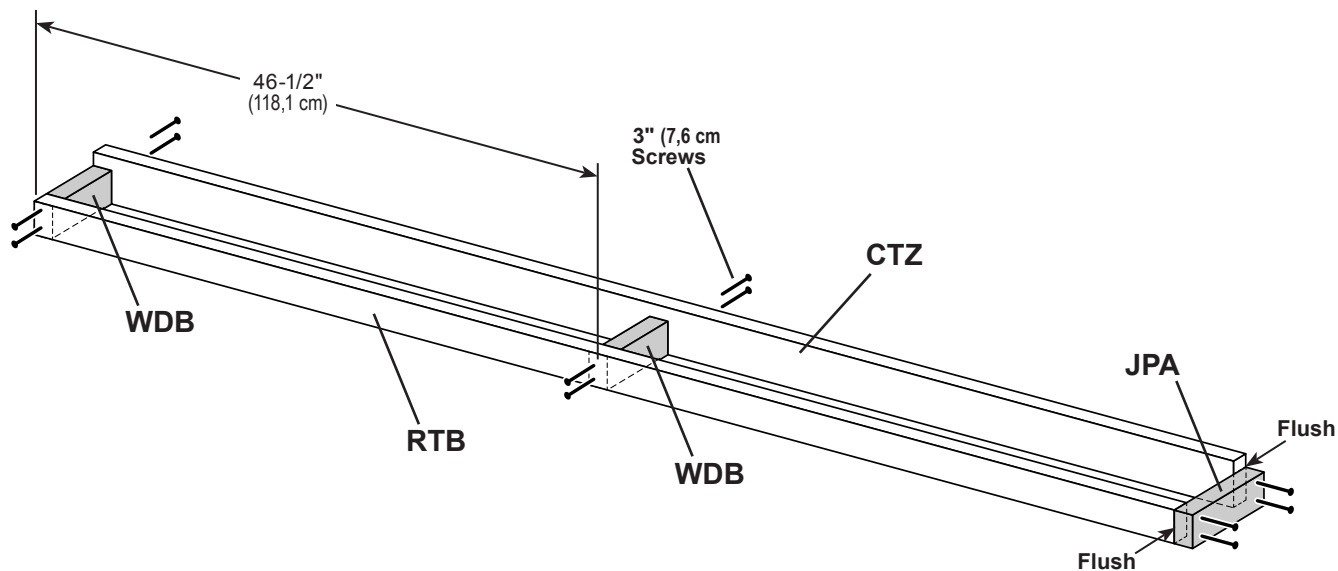


✓ BEGIN

1 Arrange parts on edge on a flat surface. Measure and mark center of **WDB** at measurement shown.

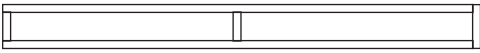
Flush parts at all connections.

Pre drill all screw holes and secure parts with 3" screws, as shown.



SHELF

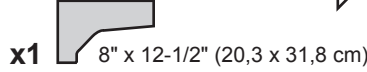
PARTS REQUIRED:



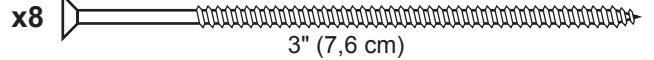
Pre assembled shelf frame



x1 3/8" x 9" x 96" (1,0 x 22,9 x 243,8 cm)

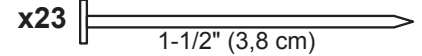


x1 8" x 12-1/2" (20,3 x 31,8 cm)



x8

3" (7,6 cm)



x23

1-1/2" (3,8 cm)

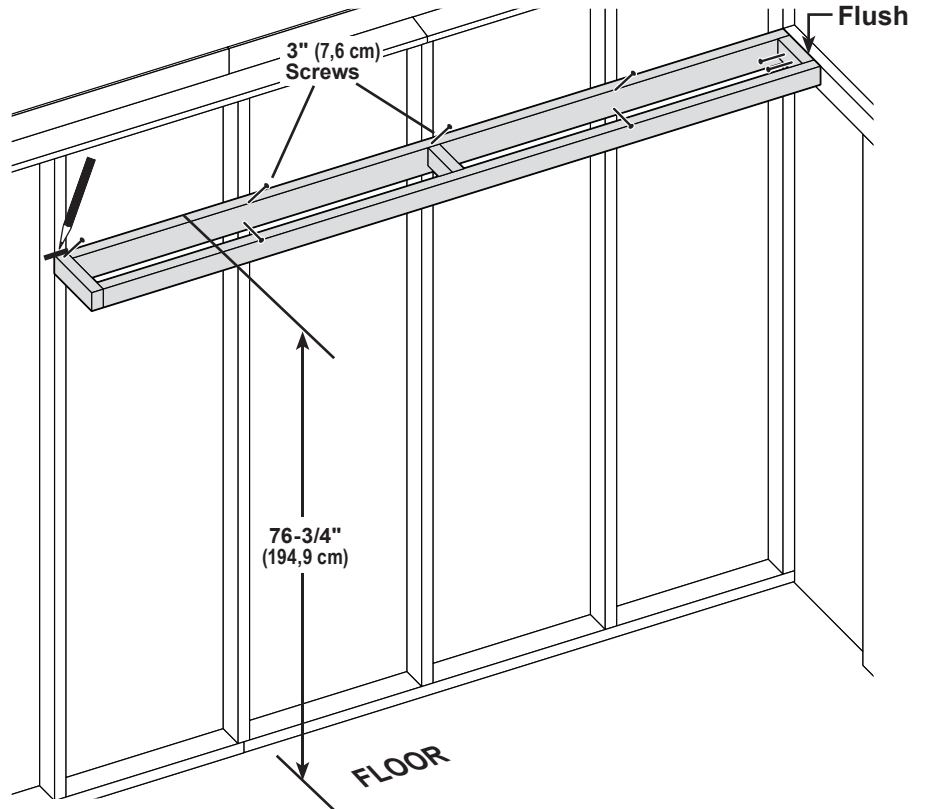


2

Measure up from floor and mark 76-3/4" on back wall stud.

Flush right side of frame to top of wall brace and left side of frame to the mark.

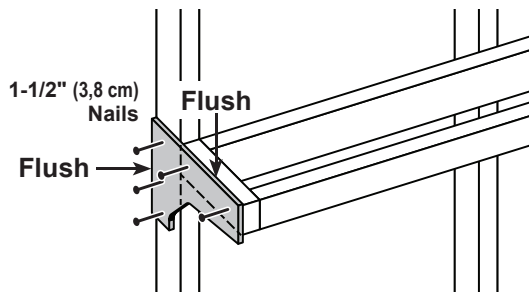
Secure with (8) 3" screws, as shown.



3

Install the 8" x 12-1/2" shelf bracket flush to top of frame and flush to back wall panel.

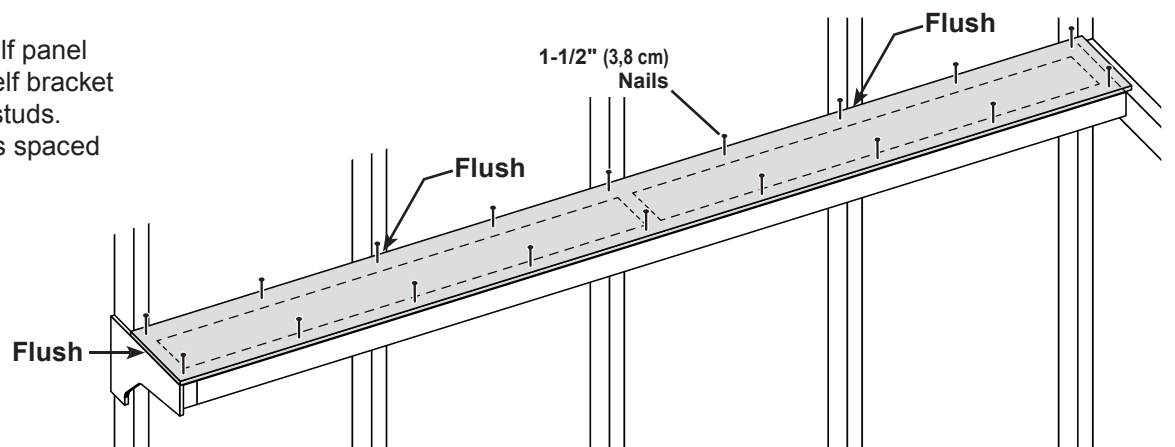
Secure with (5) 2" nails, as shown.



4

Install the 9" x 96" shelf panel flush to top edge of shelf bracket and flush to back wall studs.

Secure with 1-1/2" nails spaced evenly.




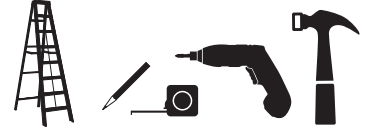
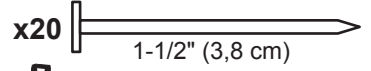
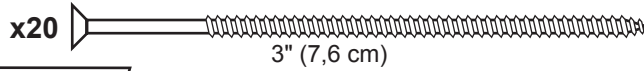
Your shelf is now installed.

RAFTERS

PARTS REQUIRED:

x6 **MJC**
2 x 4 x 53-1/2" (5,1 x 10,2 x 135,9 cm)

x2  3/8" x 3-1/2" x 3-1/2" (1,5 x 6,3 x 6,3 cm)



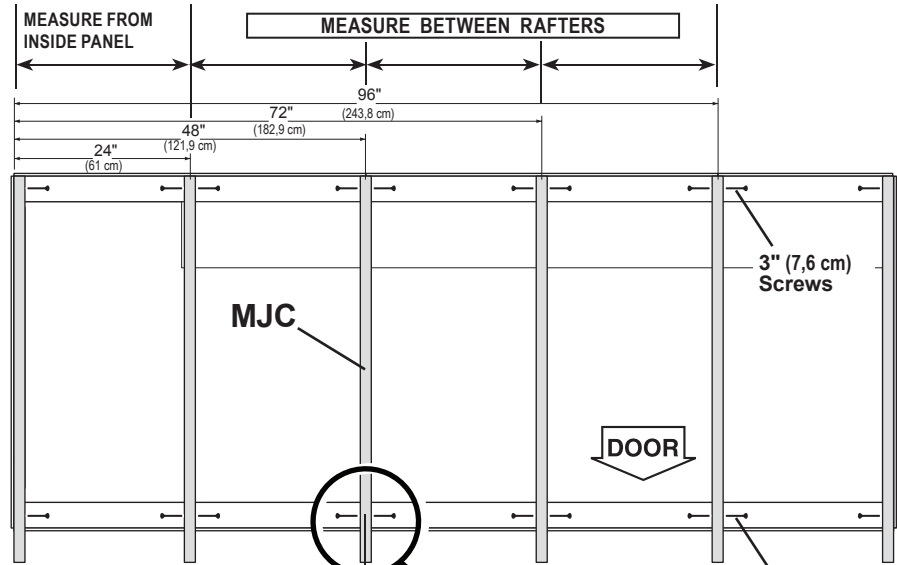
✓ BEGIN

1

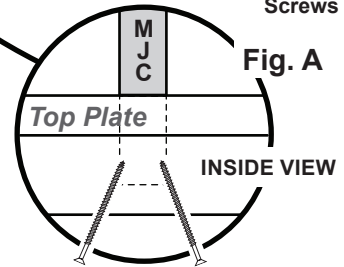
Measure and mark locations for rafters. Install (6) rafters **MJC** centered on measurements marked.

Working inside, secure rafters to front and back top plates with 3" screws angled up into top plates (**Fig. A**).

The lower front edge of the rafters overhang the wall panels by 3-11/16" (see bottom image).

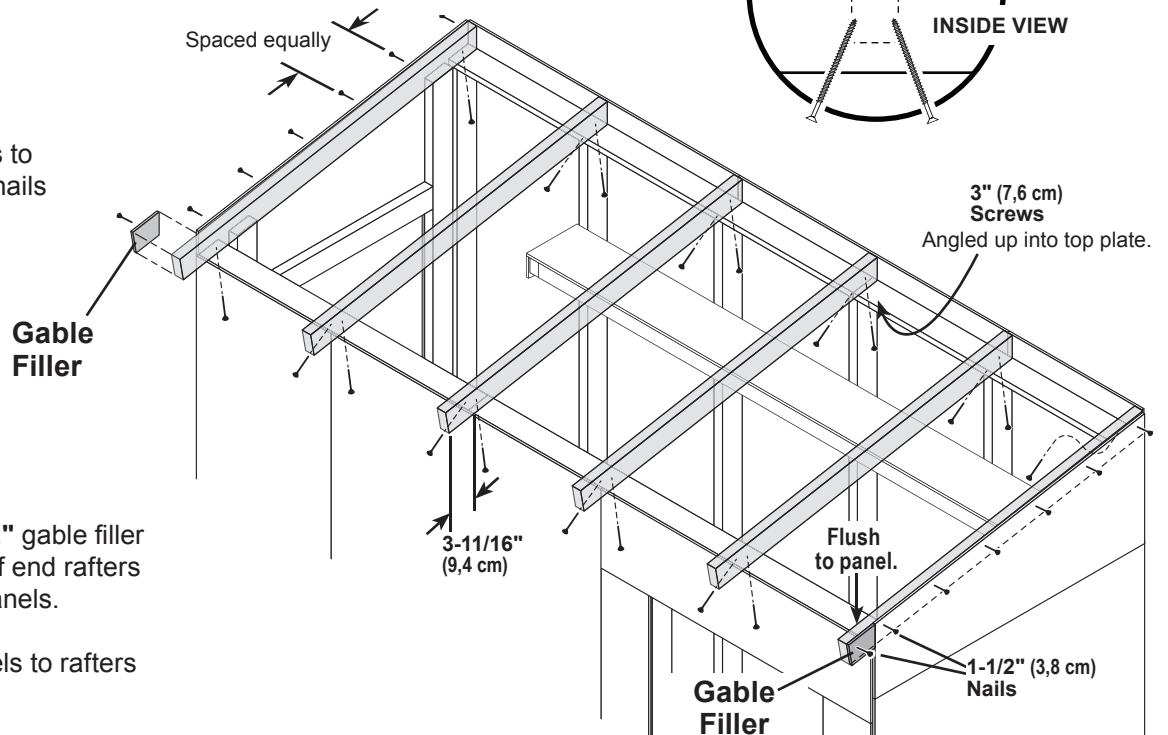


CENTER on marks.



2

Secure side wall panels to end-rafters with 1-1/2" nails spaced apart equally.



3

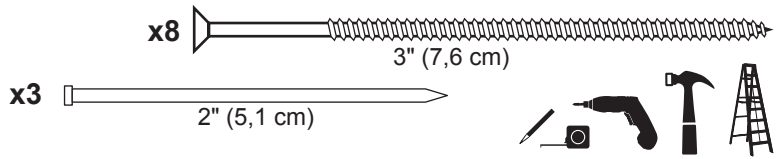
Install (2) 3-1/2" x 3-1/2" gable filler panels flush to edges of end rafters and flush to installed panels.

Secure gable filler panels to rafters with (1) 1-1/2" screw.

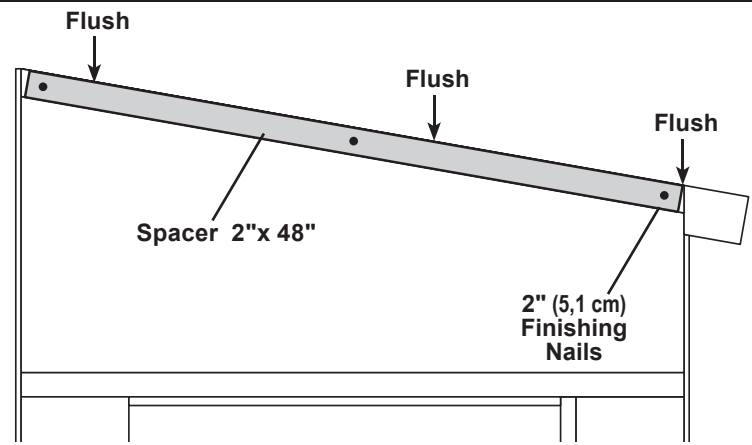
RAFTERS

PARTS REQUIRED:

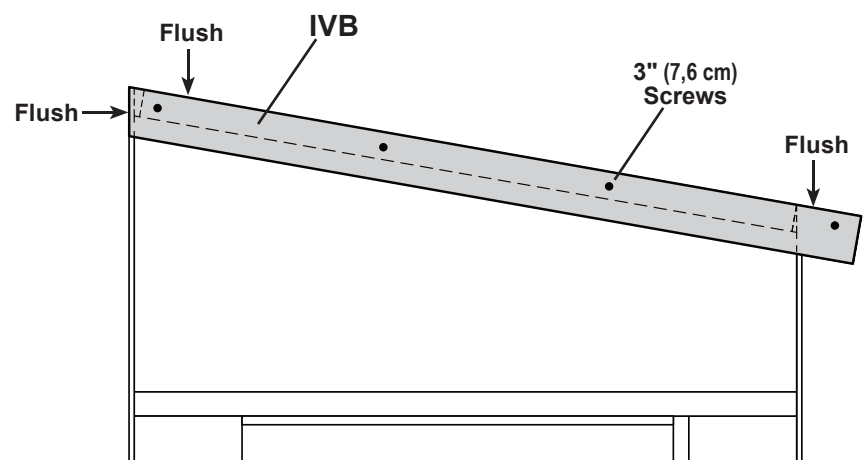
- x2** **IVB**
2 x 4 x 53-7/8" (5,1 x 10,2 x 136,8 cm)
- x1**
2" x 48" (5,1 x 121,9 cm)



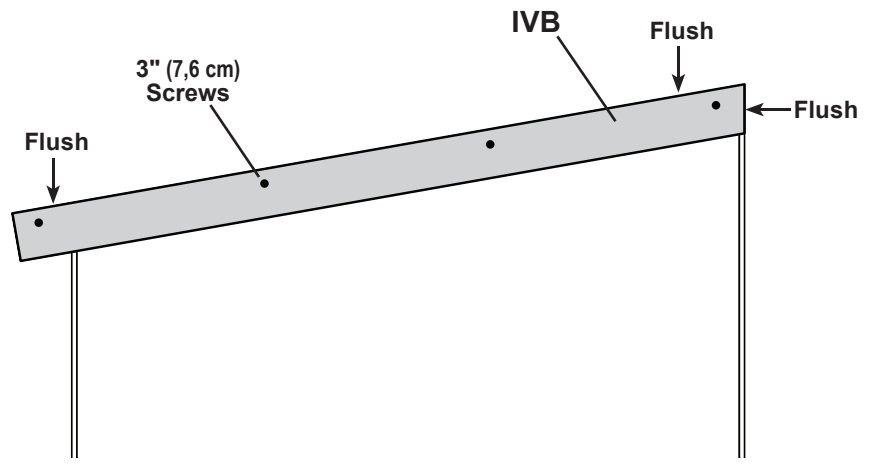
4
Install **2" x 48"** spacer flush to top of left side gable panel, and as shown. Secure spacer with **2"** finishing nails.



5
Install outer rafter **IVB** flush along top of wall panel and flush to back wall panel. Secure **IVB** with **3"** screws, as shown.



6
Install outer rafter **IVB** flush along top of right wall panel and flush to back wall panel. Secure **IVB** with **3"** screws, as shown.



Your rafters are now installed.

ROOF PANELS

PARTS REQUIRED:



3/4"
Measurement
guide

x1



48 x 96"
(121,9 x 243,8 cm)



x4



2" (5,1 cm)

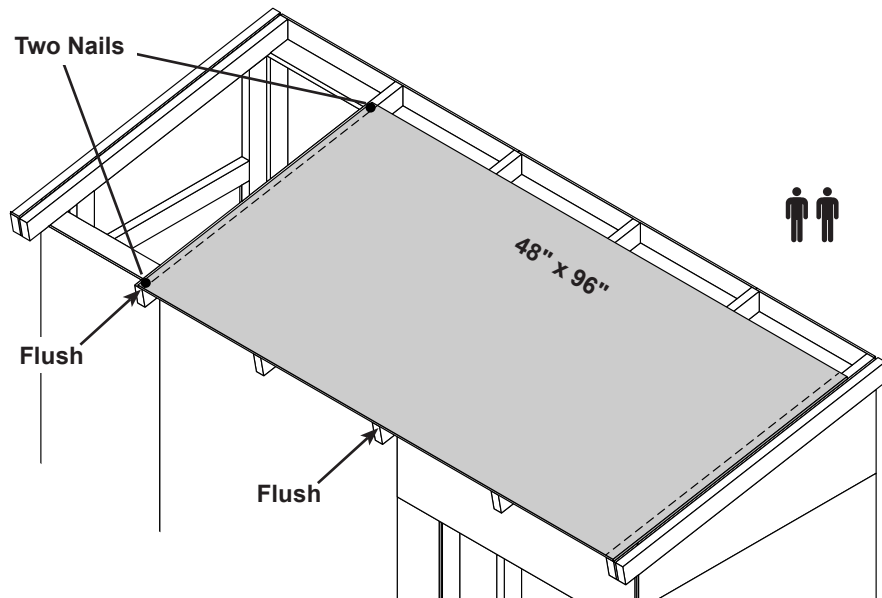
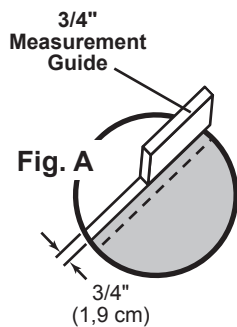
Install all roof panels with the rough side facing up.

✓ **BEGIN**

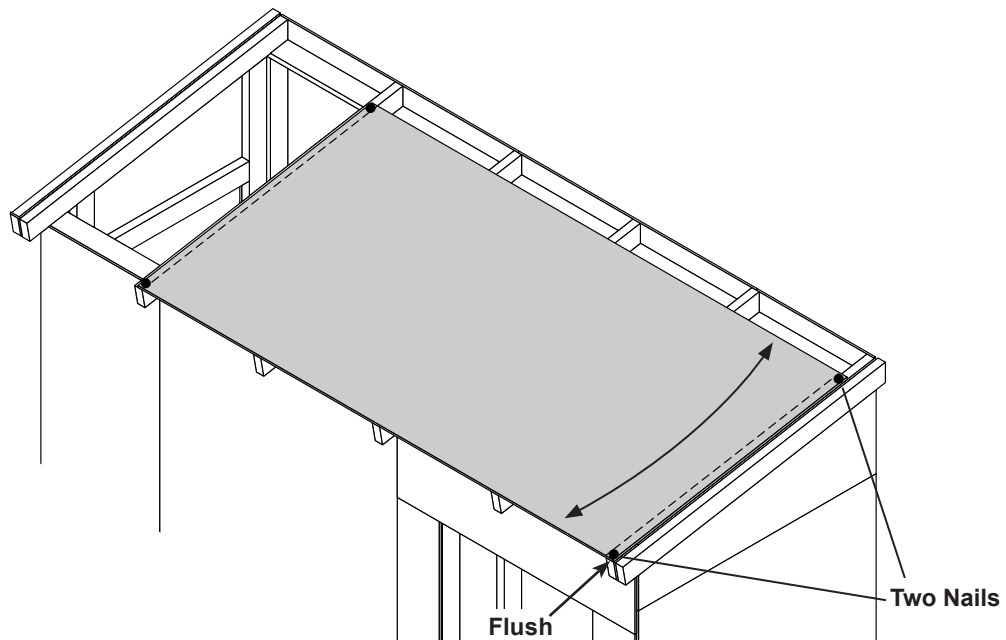


Roof panels may cause serious injury until securely fastened.

- 1 Place the **48" x 96"** roof panel as shown. Use a **3/4"** wood piece as a measurement guide to maintain **3/4"** at rafter center (**Fig. A**). Flush the panel to front of rafters. Secure with (1) **2"** nail in each corner.



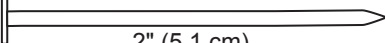




- 2 Move to the opposite side. Use the long edge of the panel as a lever. Move the panel side-to-side until the outside long edge is flush to the front of rafters. Secure with (1) **2"** nail in each corner.




ROOF PANELS

PARTS REQUIRED:

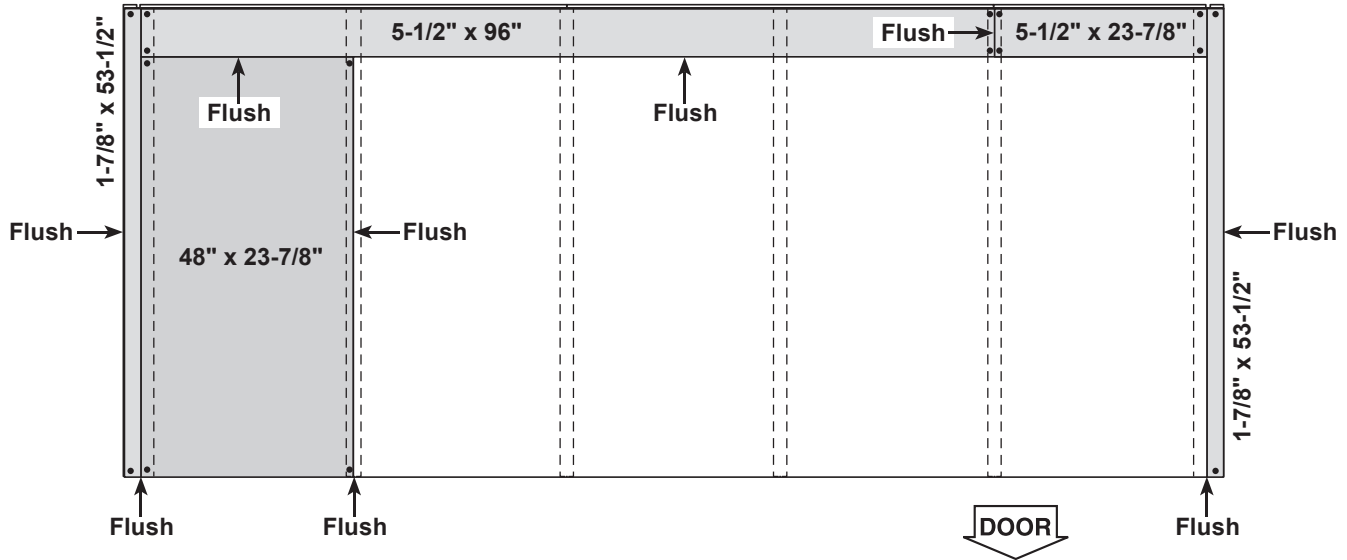
x2  **x1**  **x81** 
 1-7/8 x 53-1/2" (4,8 x 135,9 cm) 5-1/2 x 23-7/8" (14 x 60,6 cm) 2" (5,1 cm)

x1  **x1** 
 48" x 23-7/8" (121,9 x 60,6 cm) 5-1/2 x 96" (14 x 243,8 cm)

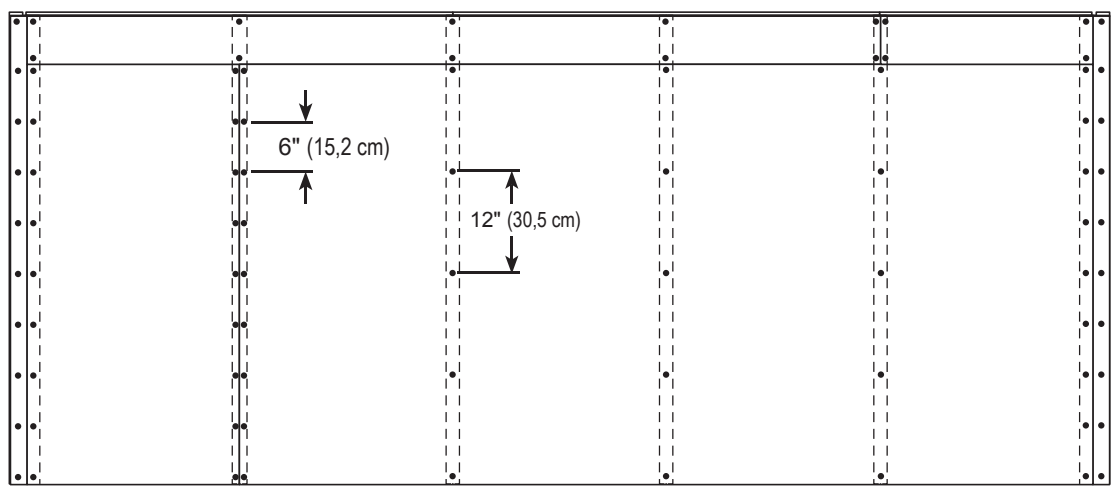


3 Install the **48" x 23-7/8"** panel flush to the installed panel and flush to front of rafters. Secure with (1) 2" nail in each corner.

Install the (4) remaining roof panels flush to installed panels and as shown. Secure each panel with (1) 2" nail in each corner.






4 Secure all panels with 2" nails spaced 6" apart on edges and 12" apart inside panel.

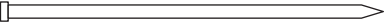


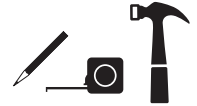
Your roof panels are now installed.

SOFFIT TRIM

PARTS REQUIRED:

- x2  3/8" x 1-1/2" x 49-1/2" (1 x 3,8 x 125,7 cm)
- x1  3/8" x 3-11/16" x 49-7/8" (1 x 9,4 x 126,7 cm)
- x1  3/8" x 3-11/16" x 73-7/8" (1 x 9,4 x 187,6 cm)

x28  2" (5,1 cm)



Install all trim with the primed side facing out.

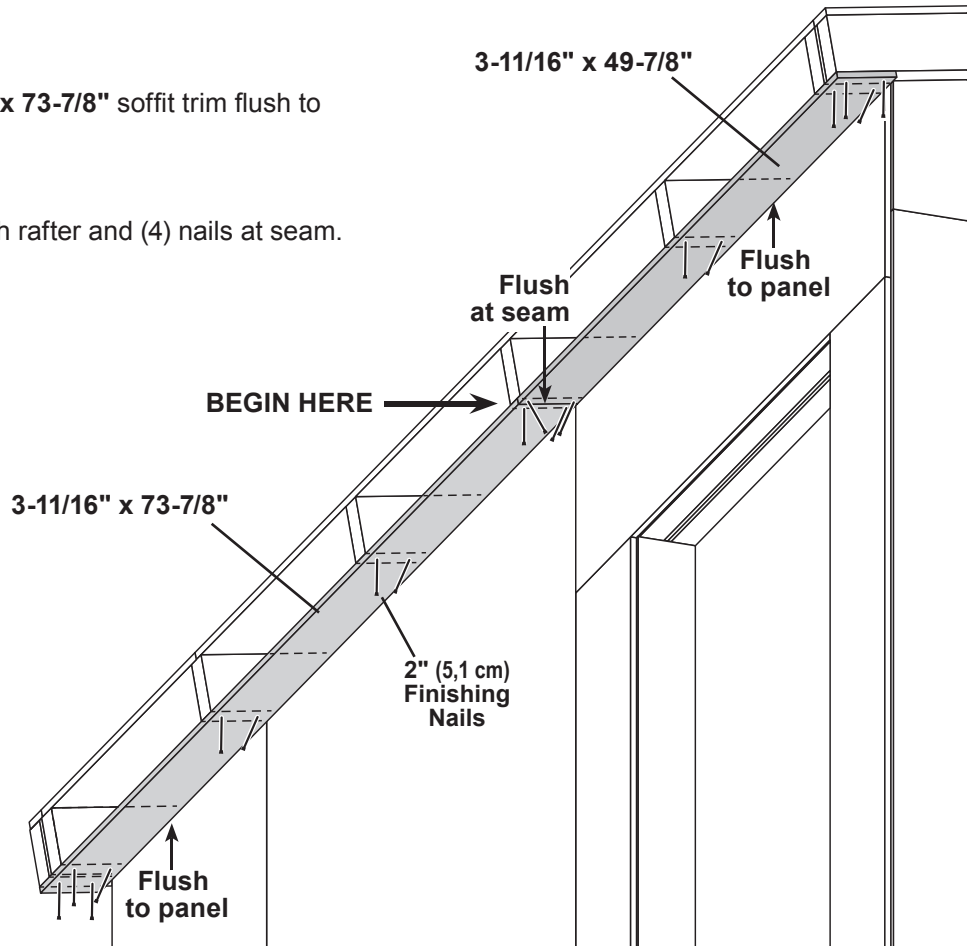
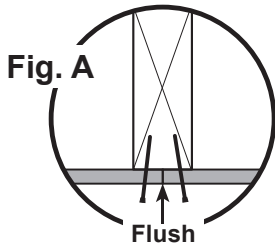
✓ BEGIN

1

Install 3-11/16" x 73-7/8" and 3-11/16" x 49-7/8" soffit trim flush to front wall panels and flush to rafter.

Begin installing at seam (Fig. A).

Secure with (2) 2" finishing nails in each rafter and (4) nails at seam.



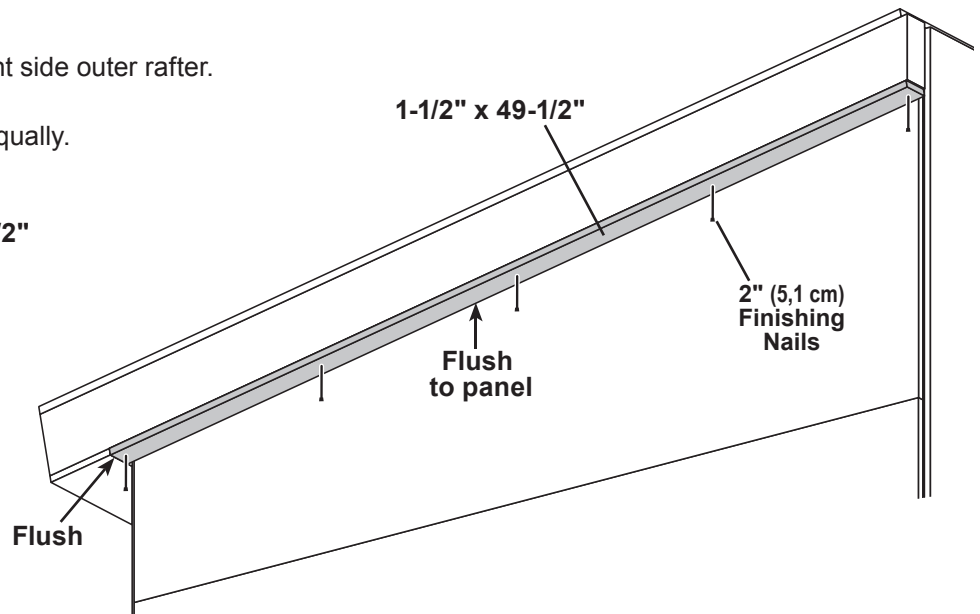
2

Install 1-1/2" x 49-1/2" soffit trim to right side outer rafter.

Flush trim to installed trim.

Secure with 2" finishing nails spaced equally.

Repeat step 2 to install 1-1/2" x 49-1/2" soffit on left side.



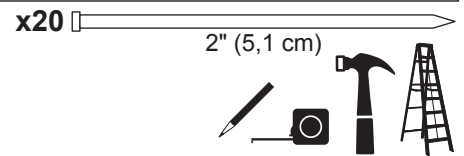
Your soffit trim is now installed.

SIDE FACIA TRIM

PARTS REQUIRED:

x1 **SZA**
19/32" x 5-1/2" x 54" (1,5 x 14 x 137,2 cm)

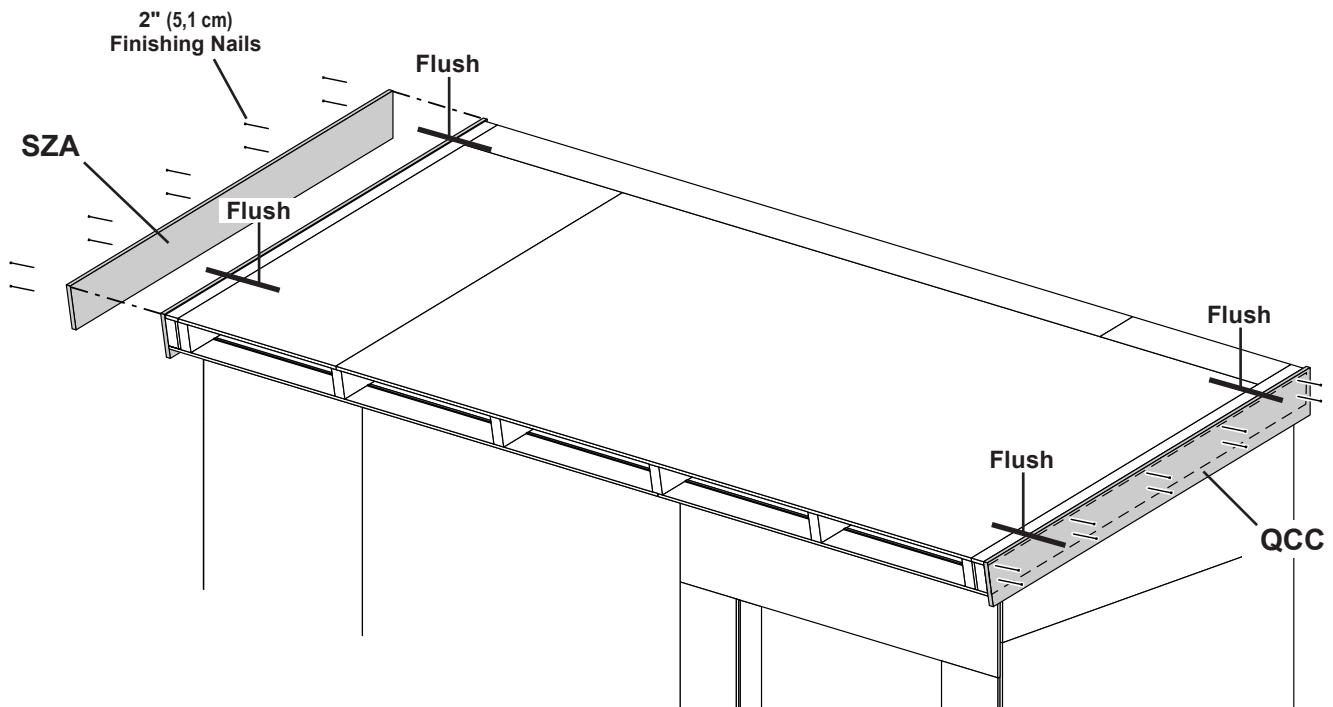
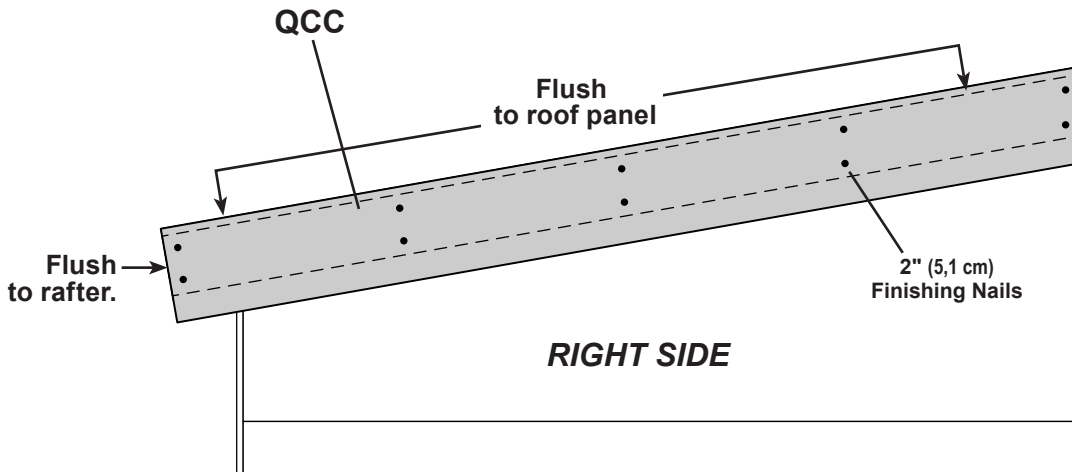
x1 **QCC**
19/32" x 5-1/2" x 54" (1,5 x 14 x 137,2 cm)



Install all trim with the primed side facing out.

✓ **BEGIN**

- 1 Install **SZA** and **QCC** gable fascia flush end of rafter and flush to roof panel. Secure each trim with (10) 2" finishing nails equally spaced.




FRONT FACIA TRIM

PARTS REQUIRED:

x1 **UAC**
19/32" x 5-1/2" x 50-1/2" (1,5 x 14 x 128,3 cm)

x1 **VOA**
19/32" x 5-1/2" x 74-7/16" (1,5 x 14 x 189,1 cm)

x18  2" (5,1 cm)

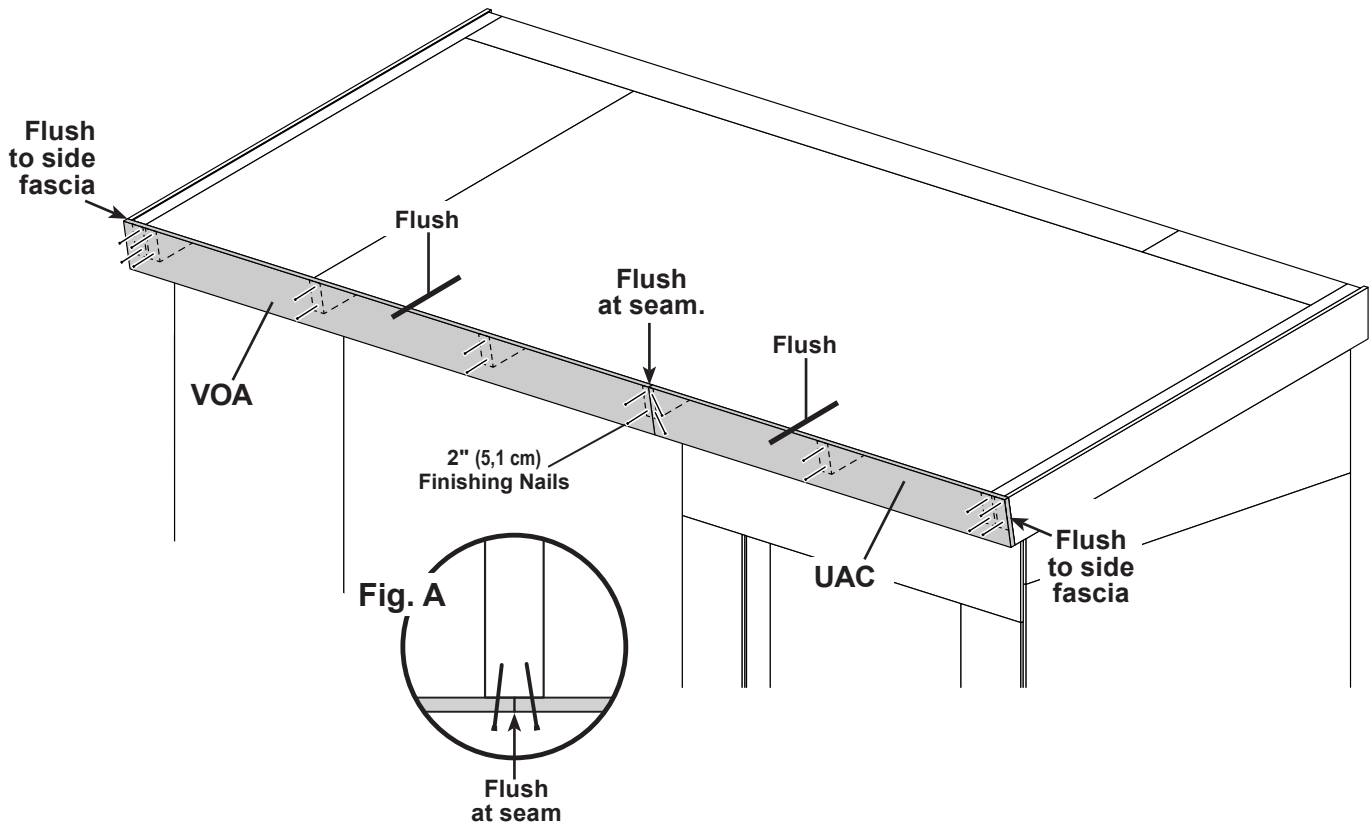


✓ BEGIN

1 Install **UAC** and **VOA** front fascia trim to rafters. Flush to trim to roof panels.

Begin installing at seam (Fig. A).

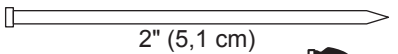
Secure with (2) 2" finishing nails in each rafter and (4) nails at seam.



RIGHT SIDE TRIM

PARTS REQUIRED:

- x1 **HAD** 19/32" x 3-1/2" x 43-3/4" (1,5 x 8,9 x 145,9 cm)
- x1 **ONA** 19/32" x 2-1/2" x 84" (1,5 x 6,3 x 213,4 cm)
- x1 **GSD** 19/32" x 2-1/2" x 92-1/8" (1,5 x 6,3 x 234 cm)

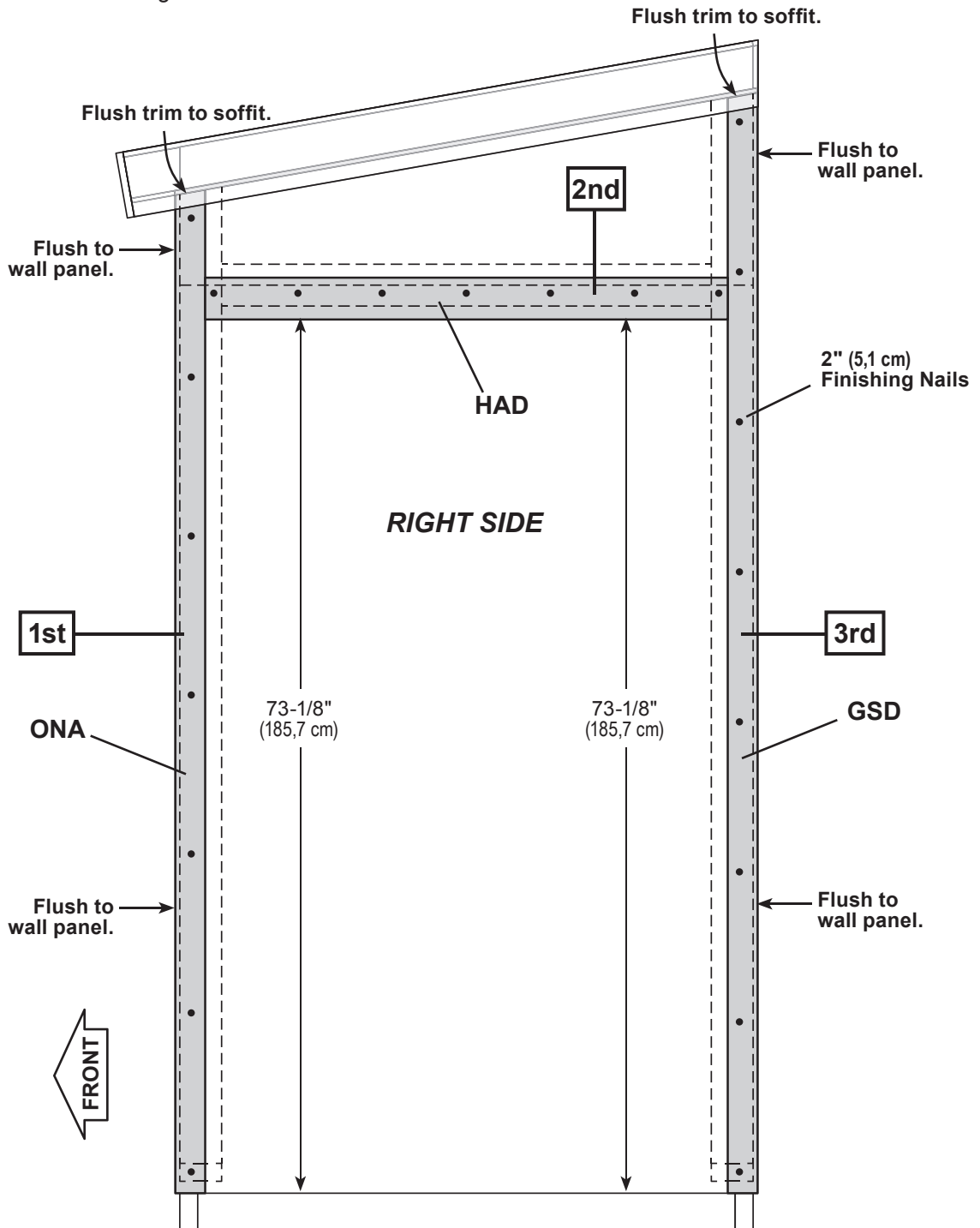
x22  2" (5,1 cm)



Install all trim with the primed side facing out.

BEGIN

- 1** Install trim to the right wall in the order shown, starting at the front of shed. Measure from bottom of wall panel and mark location of **HAD**. Secure parts with 2" finishing nails.



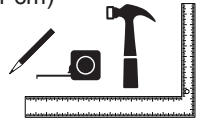
LEFT SIDE TRIM

PARTS REQUIRED:

x1 **MTD** 19/32" x 2-1/2" x 84" (1,5 x 6,3 x 213,4 cm)

x1 **NCD** 19/32" x 2-1/2" x 92-1/8" (1,5 x 6,3 x 234 cm)

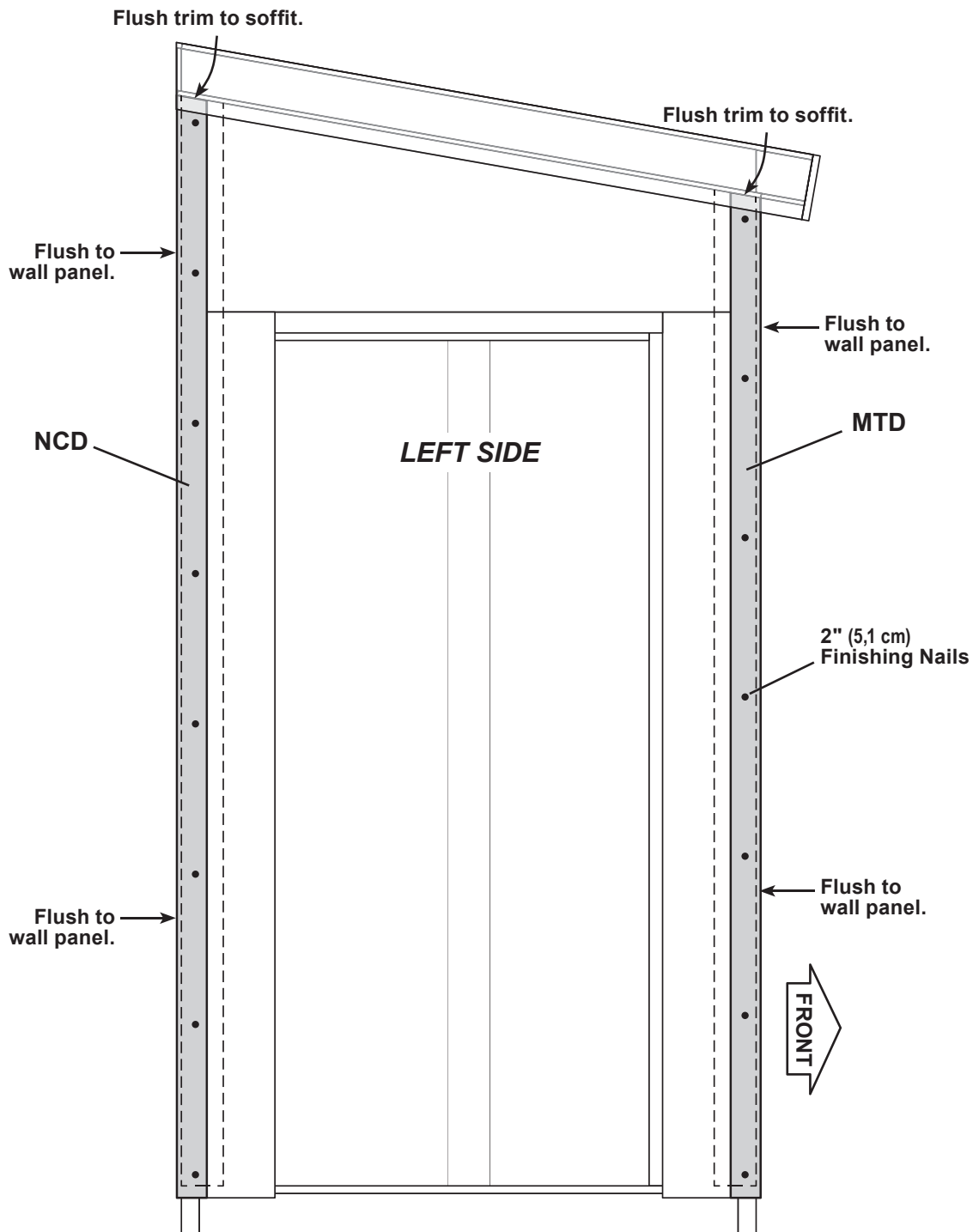
x15 2" (5,1 cm)



Install all trim with the primed side facing out.

✓ **BEGIN**

- 1 Install trim to the left wall as shown.
Secure parts with 2" finishing nails.




BACK WALL TRIM

PARTS REQUIRED:

x1 **UAC** 19/32" x 5-1/2" x 50-1/2" (1,5 x 14 x 128,3 cm)

x1 **VOA** 19/32" x 5-1/2" x 74-7/16" (1,5 x 14 x 189,1 cm)

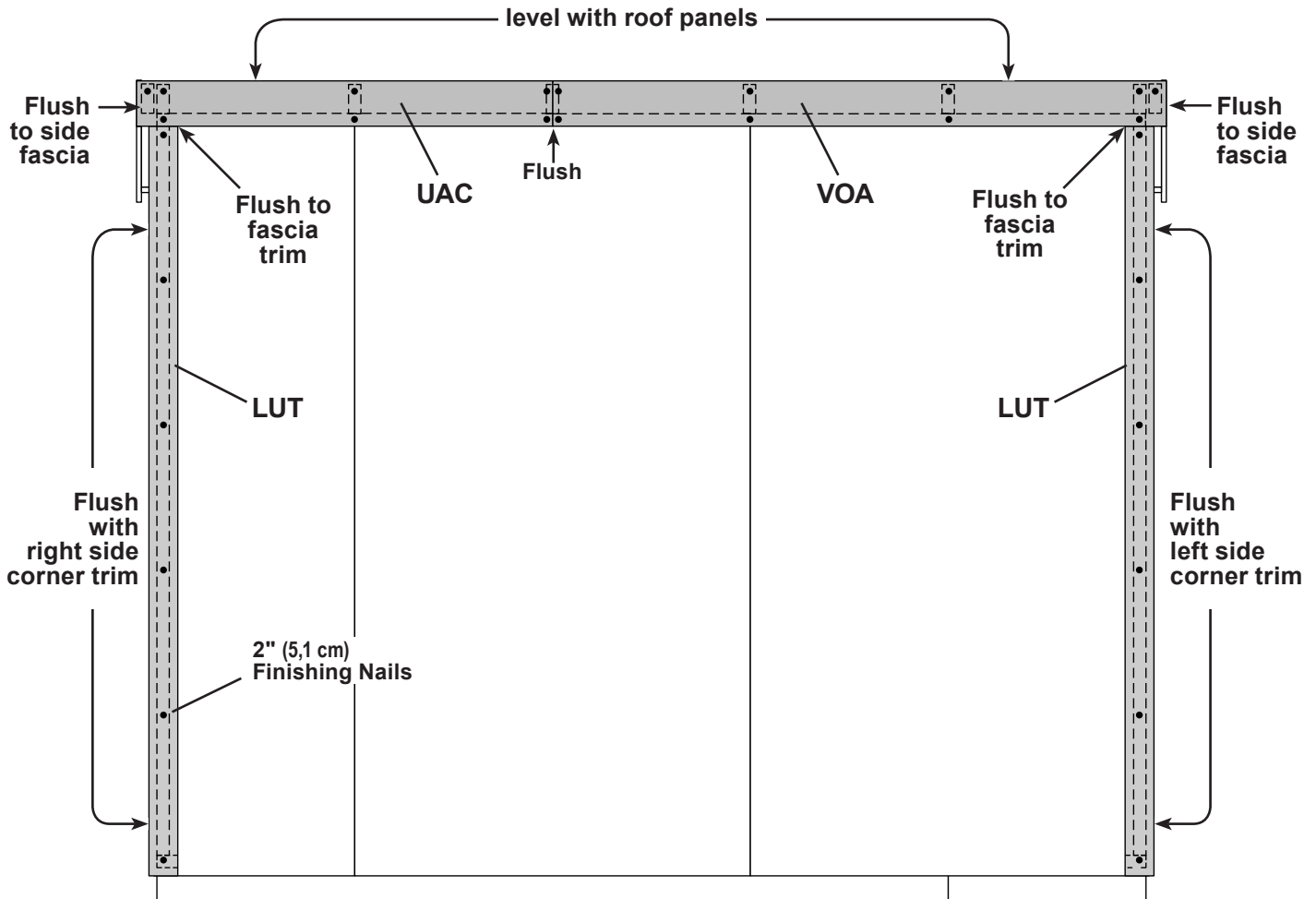
x2 **LUT** 19/32" x 3-1/2" x 90-15/16" (1,5 x 4,4 x 231 cm)

x28  2" (5,1 cm)



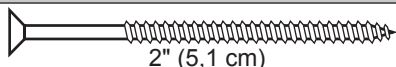
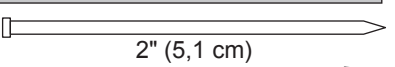

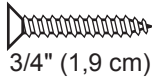
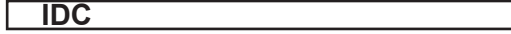



✓ BEGIN

- 1 Install **UAC** and **VOA** trim to back wall flush to side fascia trim.
Secure trim with 2" finishing nails into framing, as shown.
- 2 Install (2) **LUT** corner trim flush to fascia trim and flush with side wall corner trim.
Secure with 2" finishing nails equally spaced.



FRONT WALL TRIM

PARTS REQUIRED:

| | | | | | | |
|----|------------|--|---|-----|---|---------------|
| | x2 |  | 2" (5,1 cm) | x48 |  | 2" (5,1 cm) |
| x2 | TSA |  | 19/32" x 3-1/2" x 57-7/16" (1,5 x 8,9 x 145,9 cm) | x6 |  | 3/4" (1,9 cm) |
| x2 | IDC |  | 19/32" x 3-1/2" x 65" (1,5 x 8,9 x 165,1 cm) | |  | |
| x2 | DIA |  | 19/32" x 3-1/2" x 83-7/16" (1,5 x 4,4 x 211,9 cm) | |  | |

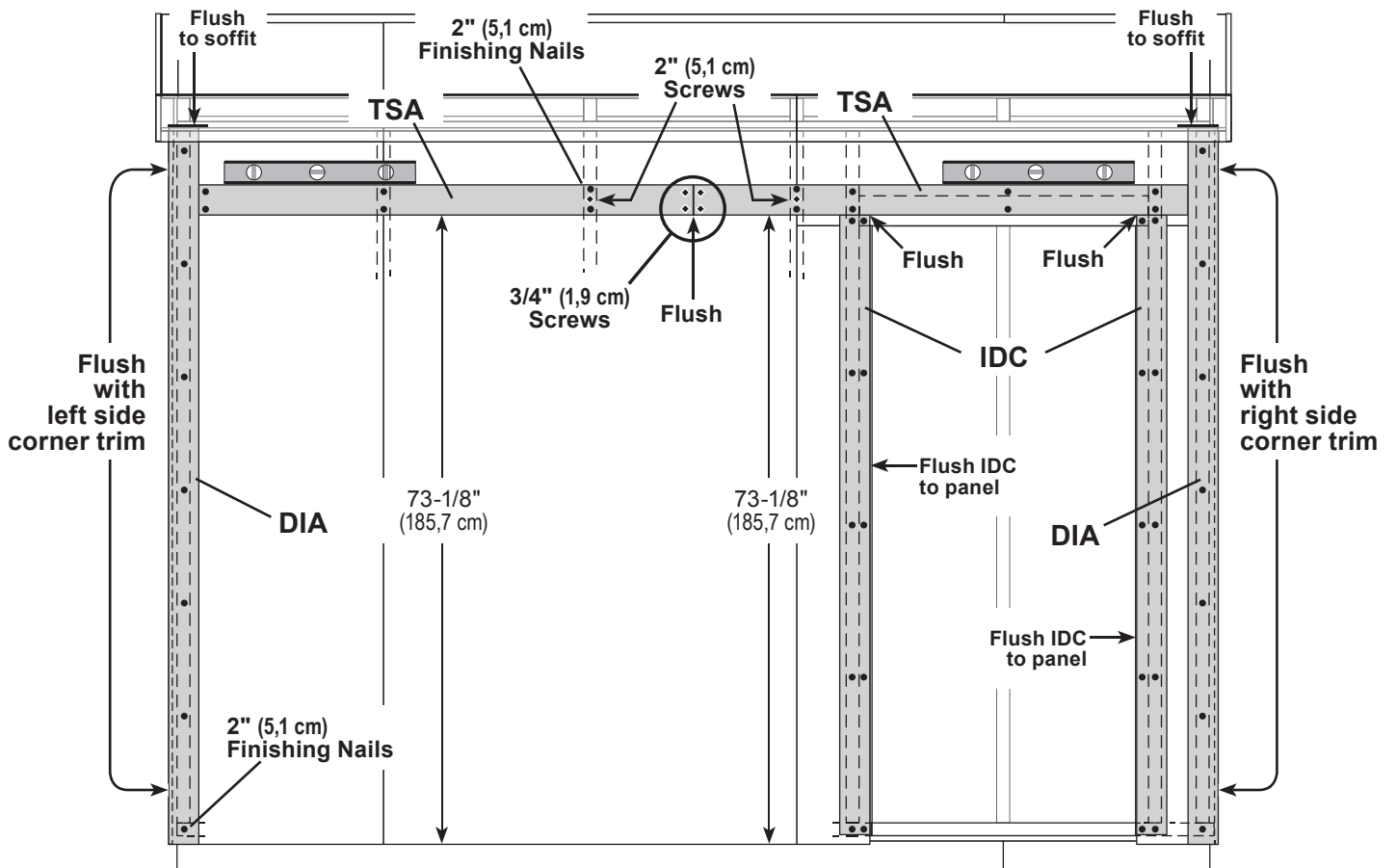
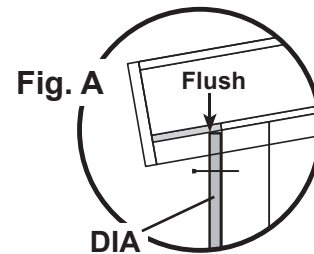
✓ BEGIN

1 Install (2) **DIA** corner trim flush up to front soffit trim (**Fig. A**) and flush with side wall corner trim. Secure with 2" finishing nails equally spaced.

2 Install (2) **TSA** trim at measurement shown. Secure with 2" finishing nails into framing.

Working inside, secure seam between the two **TSA** with (4) 3/4" screws back-screwed into **TSA** from outside. (Screws shown as diamond-shaped).

3 From outside, secure both **TSA** with 2" screws into studs, as shown. (Screws shown as diamond-shaped).



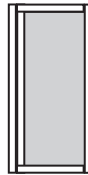
4 Install (2) **IDC** door trim flush to bottom of **TSA**. Flush **IDC** to edge of wall panel along door opening. Secure with 2" finishing nails into framing. Space nails equally.

SIDE DOOR and DOOR TRIM

PARTS REQUIRED:

x1 **HAD**
19/32" x 3-1/2" x 43-3/4" (1,5 x 8,9 x 145,9 cm)

x1 **ZO**
19/32" x 3-1/2" x 72" (1,5 x 8,9 x 182,9 cm)



31-5/8" (80,3 cm)
SIDE DOOR

x5 2" (5,1 cm)



✓ BEGIN

1

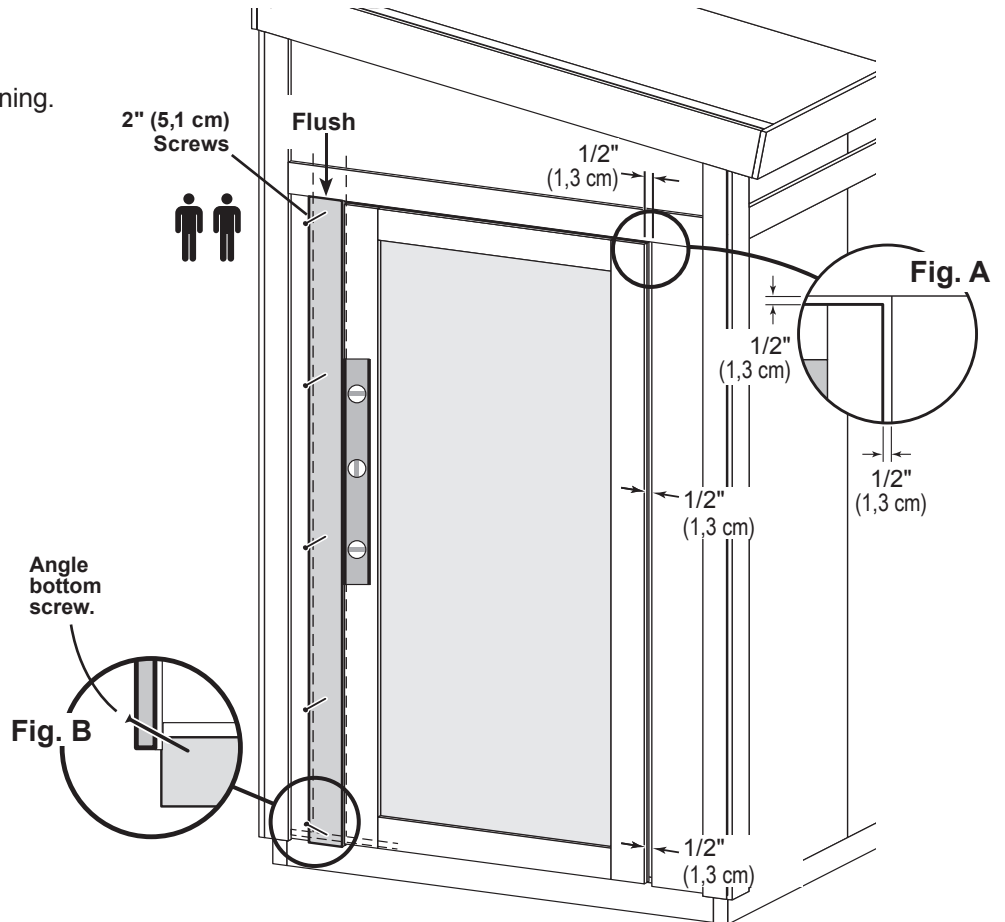
Center 31-5/8" door in left wall door opening.
Flush hinge board up to wall trim.
hold door in position and keep level.

2

Measure Gap (**Fig. A**) between door trim and wall panel, as shown.
Hold door in position and keep level.

3

Screw hinge board into wall frame and floor using (5) 2" screws, evenly spaced as shown
Drive bottom screw at an angle into floor (**Fig. B**).

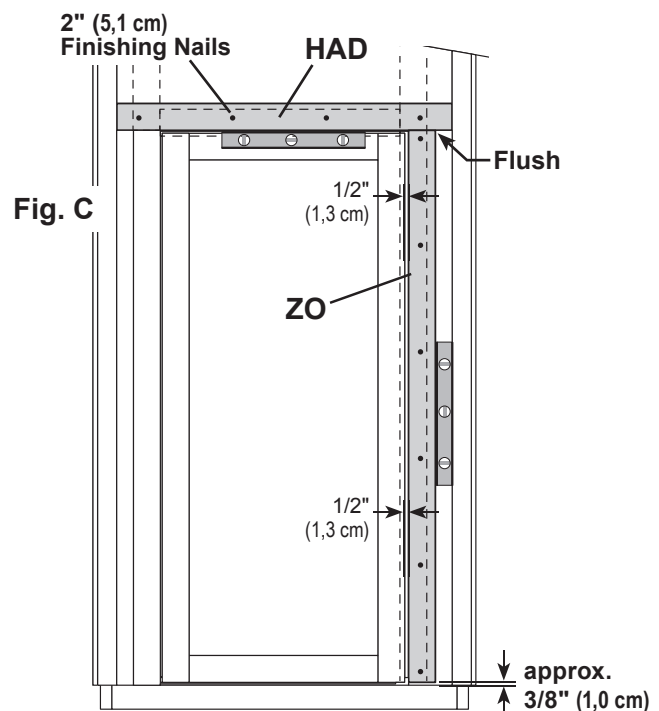


4

Center and level over door trim **HAD**.
Secure with (4) 2" finishing nails into framing (**Fig. C**).

5

Flush **ZO** with bottom of **HAD** and level (plumb).
Ensure 1/2" measurement along door edge (**Fig. C**).
Secure with (6) 2" finishing nails.



Your side door and door trim are now installed.

SIDE DOOR RAILS - OPTION 1

PARTS REQUIRED:

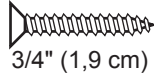
x1 **FMB**

19/32" x 3-1/2" x 10-1/8"
(1,5 x 8,9 x 25,7 cm)

x4

19/32" x 3-1/2" x 24-5/8" (1,5 x 8,9 x 62,5 cm)

x30



x9

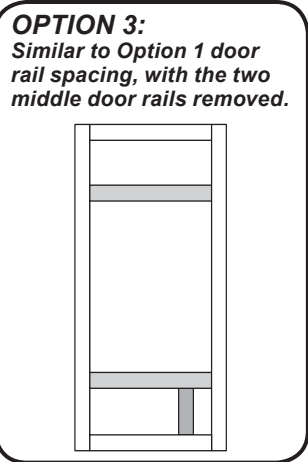
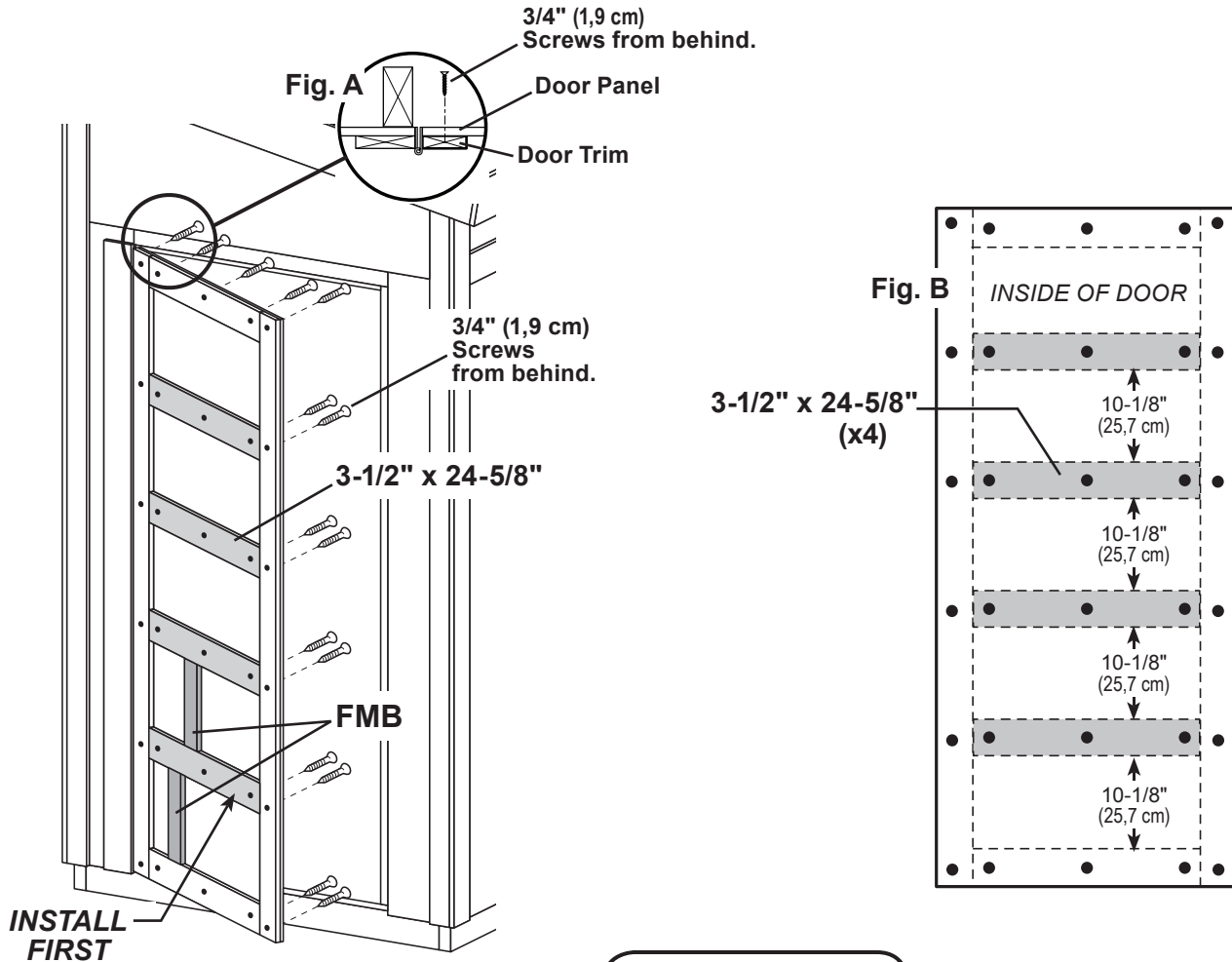
2" (5,1 cm)



✓ **BEGIN**

See next page for side door rails Option 2.

- 1 Install (4) 3-1/2" x 24-5/8" door rails, as shown. Beginning at the bottom of door, use **FMB** as a measurement guide for the 10-1/8" measurement. Secure each door rail with 3/4" screws from back of door.
- 2 Reinforce all door trim with 3/4" screws through door panel into trim (**Fig. A**). Locate screws as shown (**Fig. B**).

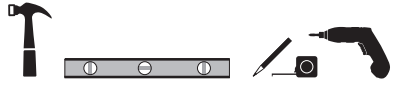


Your door rails are now installed.

SIDE DOOR RAILS - OPTION 2

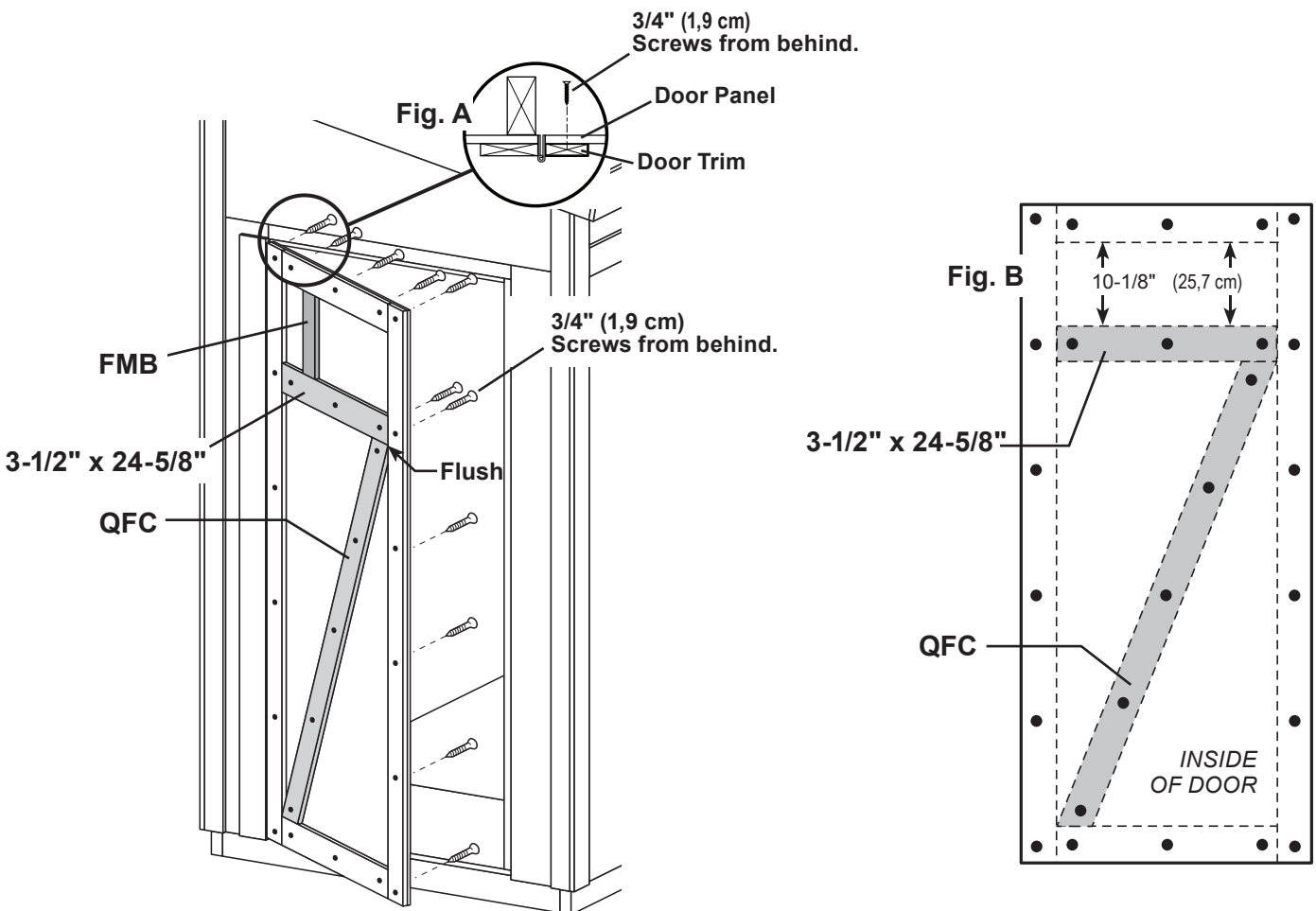
PARTS REQUIRED: x1 **FMB** 19/32" x 3-1/2" x 10-1/8" (1,5 x 8,9 x 25,7 cm) x26 3/4" (1,9 cm) x9 2" (5,1 cm)

x1 19/32" x 3-1/2" x 24-5/8" (1,5 x 8,9 x 62,5 cm) x1 **QFC** 19/32" x 55-1/16" x 28-1/2" (1,5 x 8,9 x 139,9 cm)



BEGIN

- 1** Install (1) 3-1/2" x 24-5/8" door rail. Use **FMB** as a measurement guide for the 10-1/8" measurement. Secure each door rail with 3/4" screws from back of door.
- 2** Install **QFC** flush to installed upper door rail. Secure with 3/4" screws from inside of door. (**Fig. B**).
- 3** Reinforce all door trim with 3/4" screws through door panel into trim (**Fig. A**). Locate screws as shown (**Fig. B**).

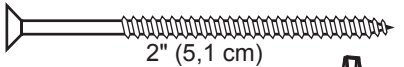


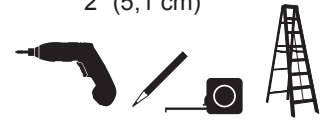
Your door rails are now installed.

SIDE DOOR STIFFENER

PARTS REQUIRED:

x1 **OO**
69" (175,3 cm) Door Stiffener

x6  2" (5,1 cm)



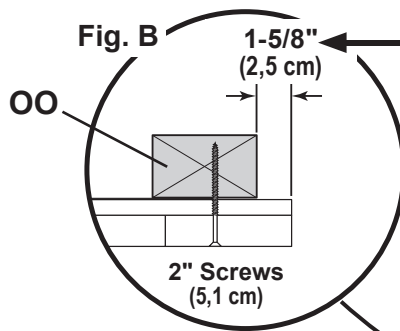
Door stiffener installation is for all side door trim options.

✓ BEGIN

1

Center **OO** vertically on door in the door opening (**Fig. A**), 1-5/8" from edge of door (**Fig. B**).

Secure with (6) 2" screws through outside trim into **OO** (**Fig. B**).

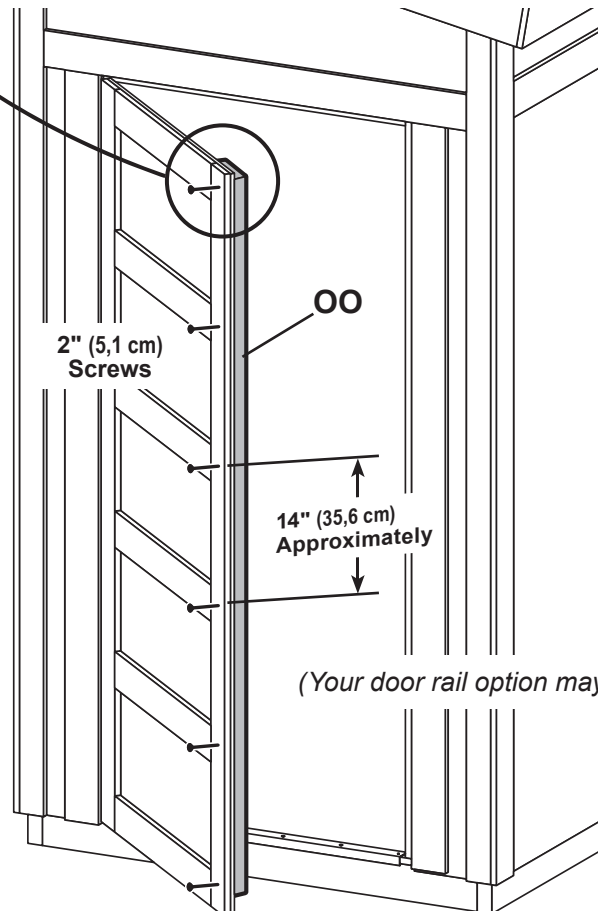
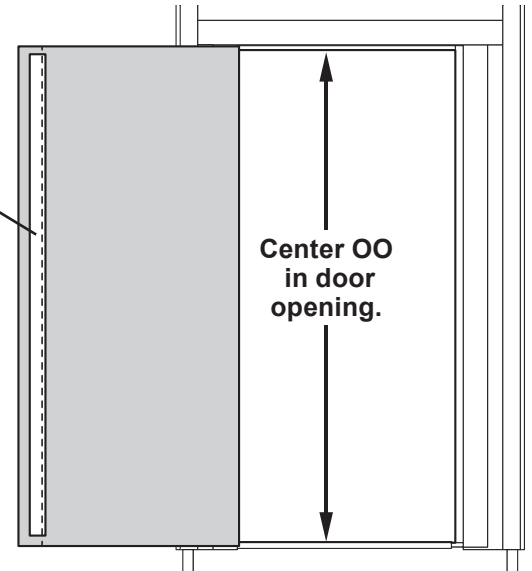


IT IS IMPORTANT TO HOLD THIS DIMENSION

Fig. A

OO

Center **OO** in door opening.



(Your door rail option may vary.)

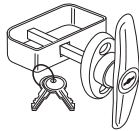


Your left side door stiffener is now installed.

SIDE DOOR HARDWARE

PARTS REQUIRED:

x2 1-1/2" (3,8 cm) x1



x1



31-3/16" Metal Threshold

3/4" (1,9 cm) x6

Bagged separately / special coating

1/2" (13 mm) Drill Bit

1/4" (6 mm) Drill Bit



✓ **BEGIN**

1

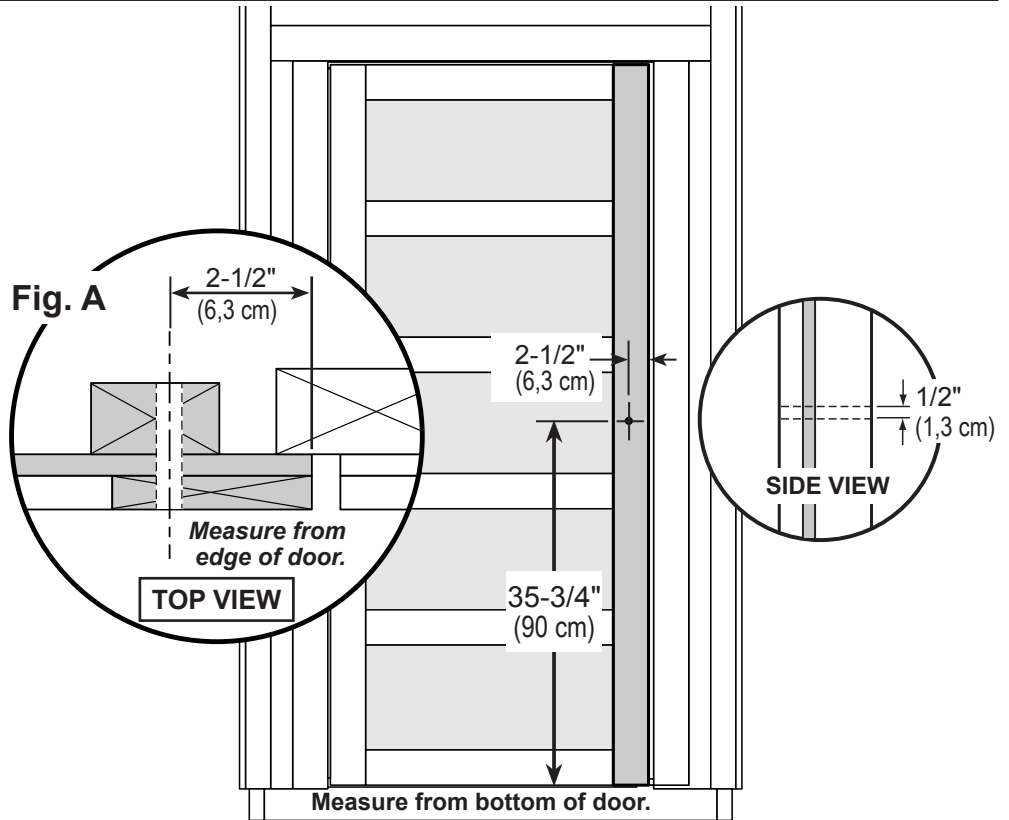
Measure and mark location of hole on outside of right door (**Fig. A**).

Pre-drill pilot hole with 1/4" drill bit.

Re-drill through hole with 1/2" drill.



Drill hole square to trim to avoid breaking edge of door stiffener.



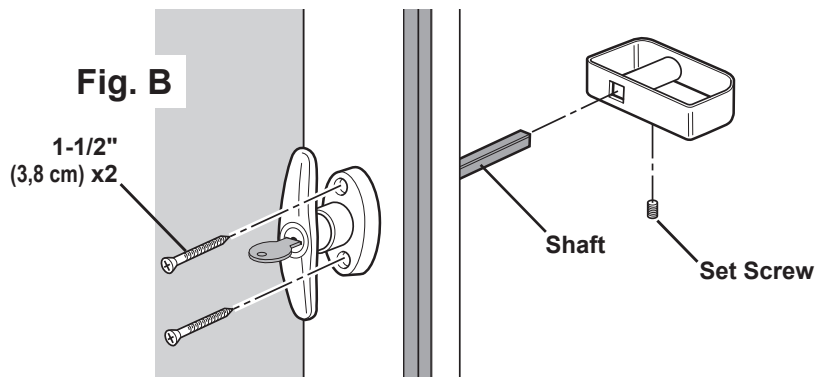
2

Install door handle.

Insert shaft in hole and secure handle with 1-1/2" screws (**Fig. B**).

Install inside handle to shaft.

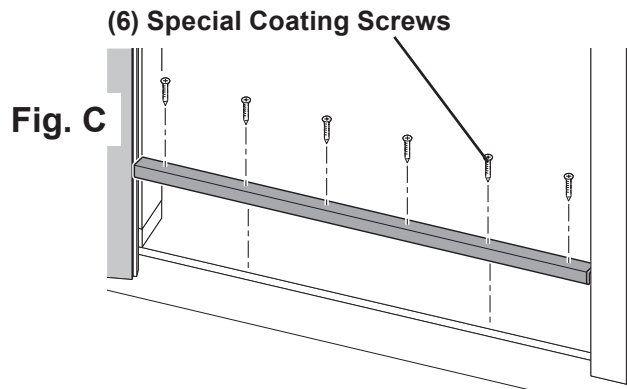
Secure with set screw, as shown.



3

Center 31-3/16" metal threshold on floor in door opening.

Secure to floor with 3/4" special coating screws (**Fig. C**).



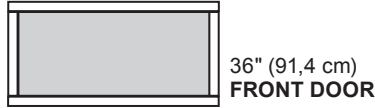
FINISH

Your side door hardware is now installed

FRONT DOOR TRIM - OPTION 1 & 2

PARTS REQUIRED:

x1 **FMB**
19/32" x 3-1/2" x 10-1/8"
(1,5 x 8,9 x 25,7 cm)

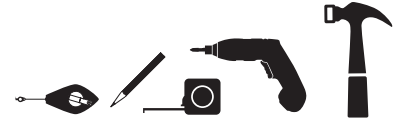


x24 3/4" (1,9 cm)

x8 2" (5,1 cm)

x4 **MAC**
19/32" x 3-1/2" x 29" (1,5 x 8,9 x 73,3 cm)

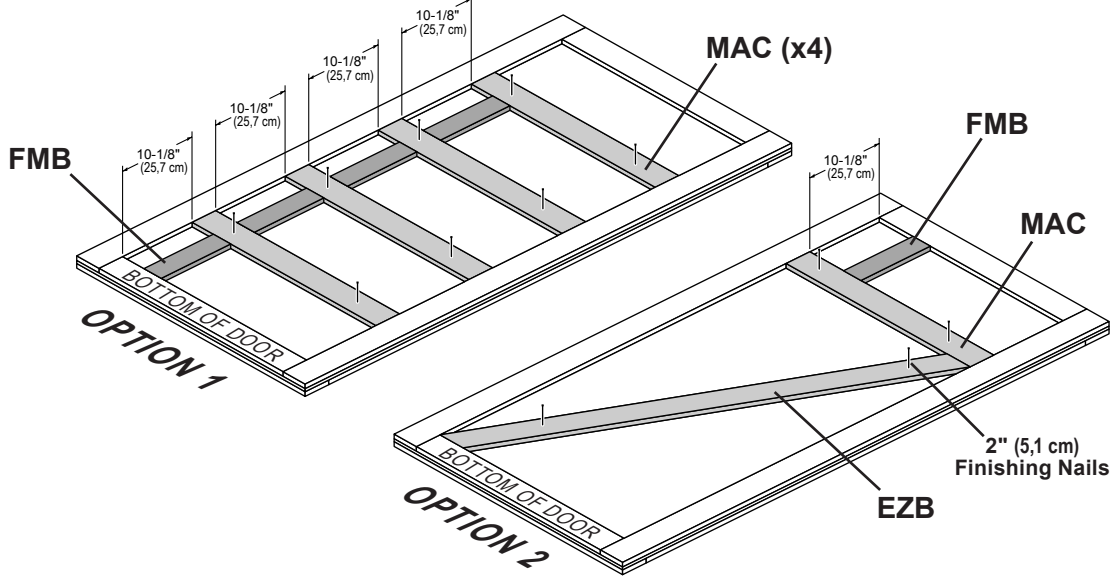
x1 **EZB**
19/32" x 3-1/2" x 56-13/16" (1,5 x 8,9 x 144,3 cm)



✓ BEGIN 1

Choose one of three door trim options.

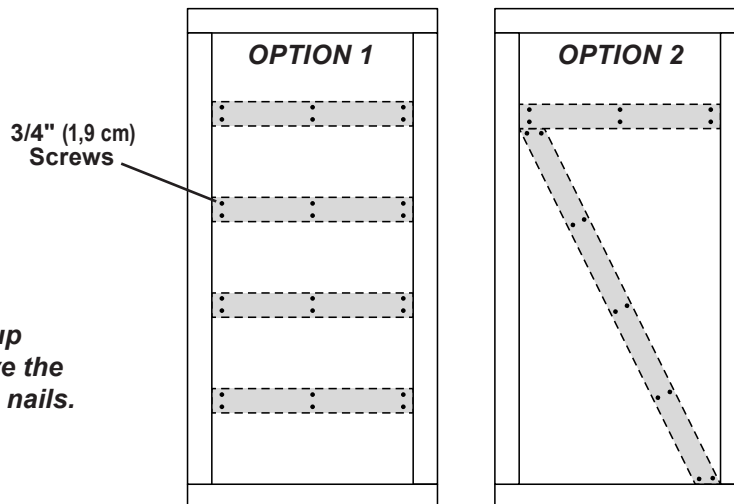
Option 1: Lay 36" front door on a flat surface. Install (4) door rails **MAC**, as shown. Beginning at the bottom of door, use **FMB** as a measurement guide for the 10-1/8" measurement. **Temporarily** secure each door rail with (2) 2" finishing nails.



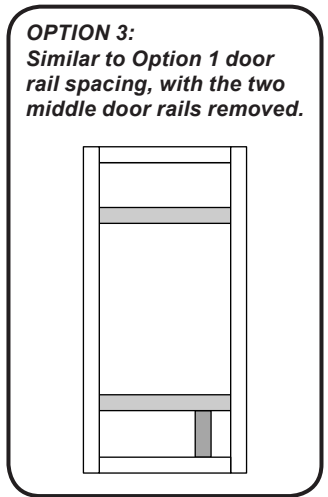
Option 2: Lay 36" front door on a flat surface. Install (1) door rail **MAC** and diagonal rail **EZB**, as shown. At the top of door, use **FMB** as a measurement guide for the 10-1/8" measurement. **Temporarily** secure each door rail with (2) 2" finishing nails.

2

Turn over the door. Use **FMB**, a chalkline or other method to approximately mark the door rail positions. Secure each door rail with 3/4" screws, as shown.

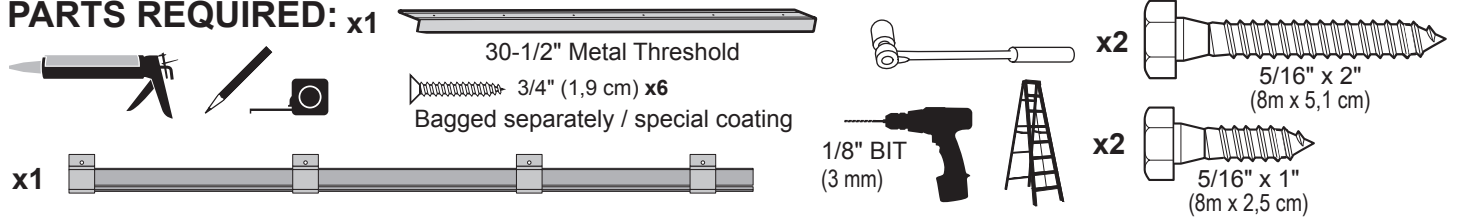


Turn the door face up and carefully remove the temporary finishing nails.



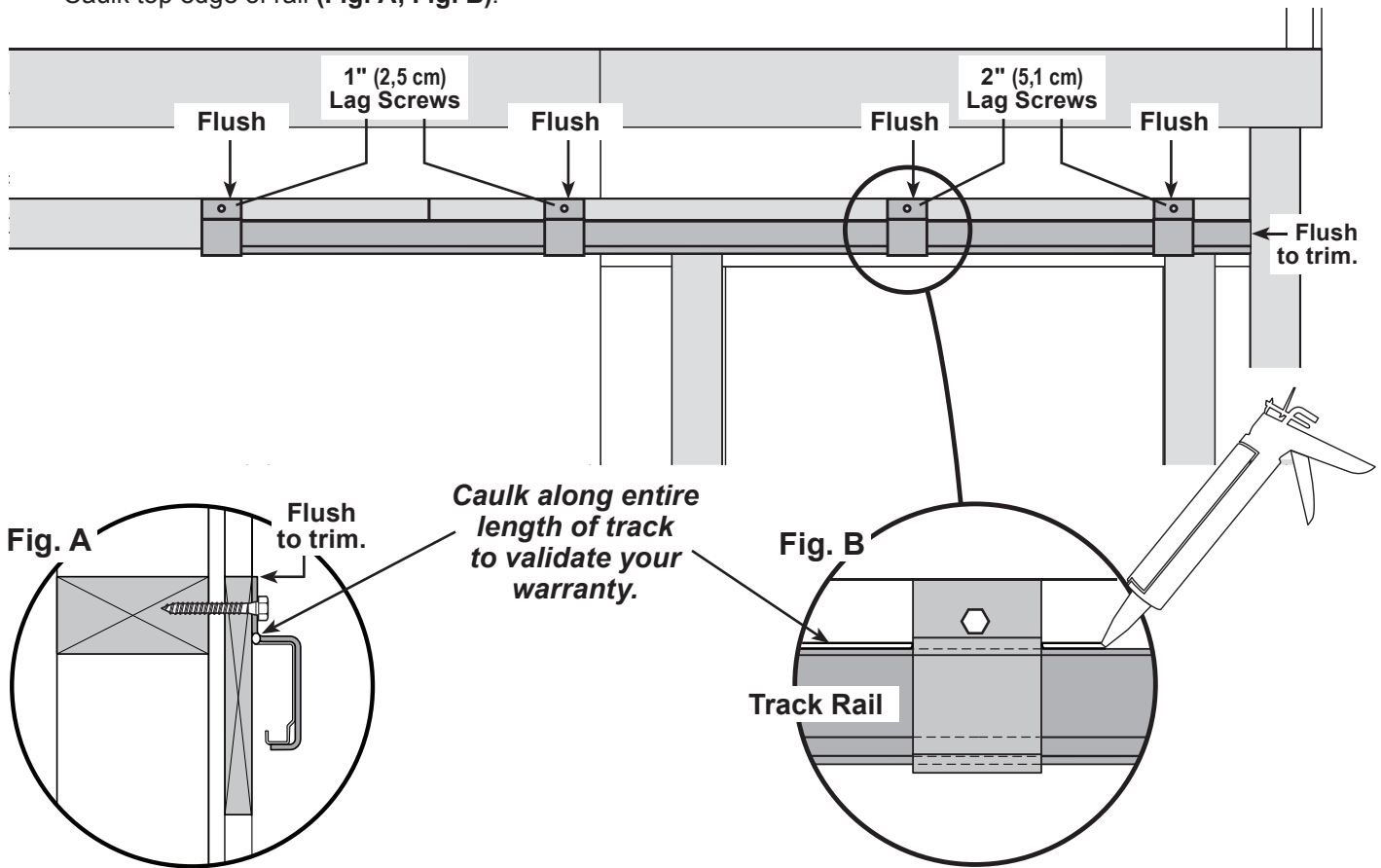
DOOR TRACK and THRESHOLD

PARTS REQUIRED: x1

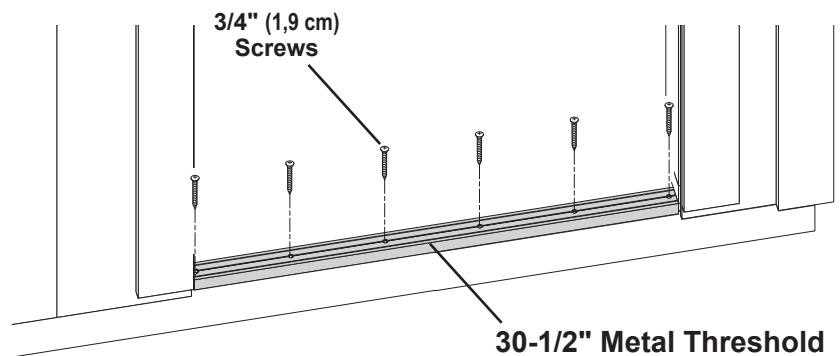


✓ BEGIN

- Align top of track brackets flush to top of horizontal trim and flush to right corner trim.
 Mark bracket-hole locations on horizontal trim. Pre-drill holes using a 1/8" drill bit.
 Secure right side of track with (2) 2" lag screws through bracket, trim and into wall frame (**Fig. A**).
 Secure left side of track with (2) 1" lag screws into wall panel.
 Caulk top edge of rail (**Fig. A, Fig. B**).



- Install 30-1/2" metal threshold in front door opening.
 Secure with (6) 3/4" special coating screws into floor.




Your door track and threshold are now installed.

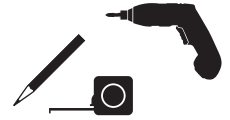
FRONT DOOR REINFORCEMENT

PARTS REQUIRED:

x2 **JQC** 19/32" x 3-1/2" x 36" (1,5 x 8,9 x 91,4 cm)

x2 **IDC** 19/32" x 3-1/2" x 65" (1,5 x 8,9 x 165,1 cm)

x28 
1-1/4" (3,2 cm)

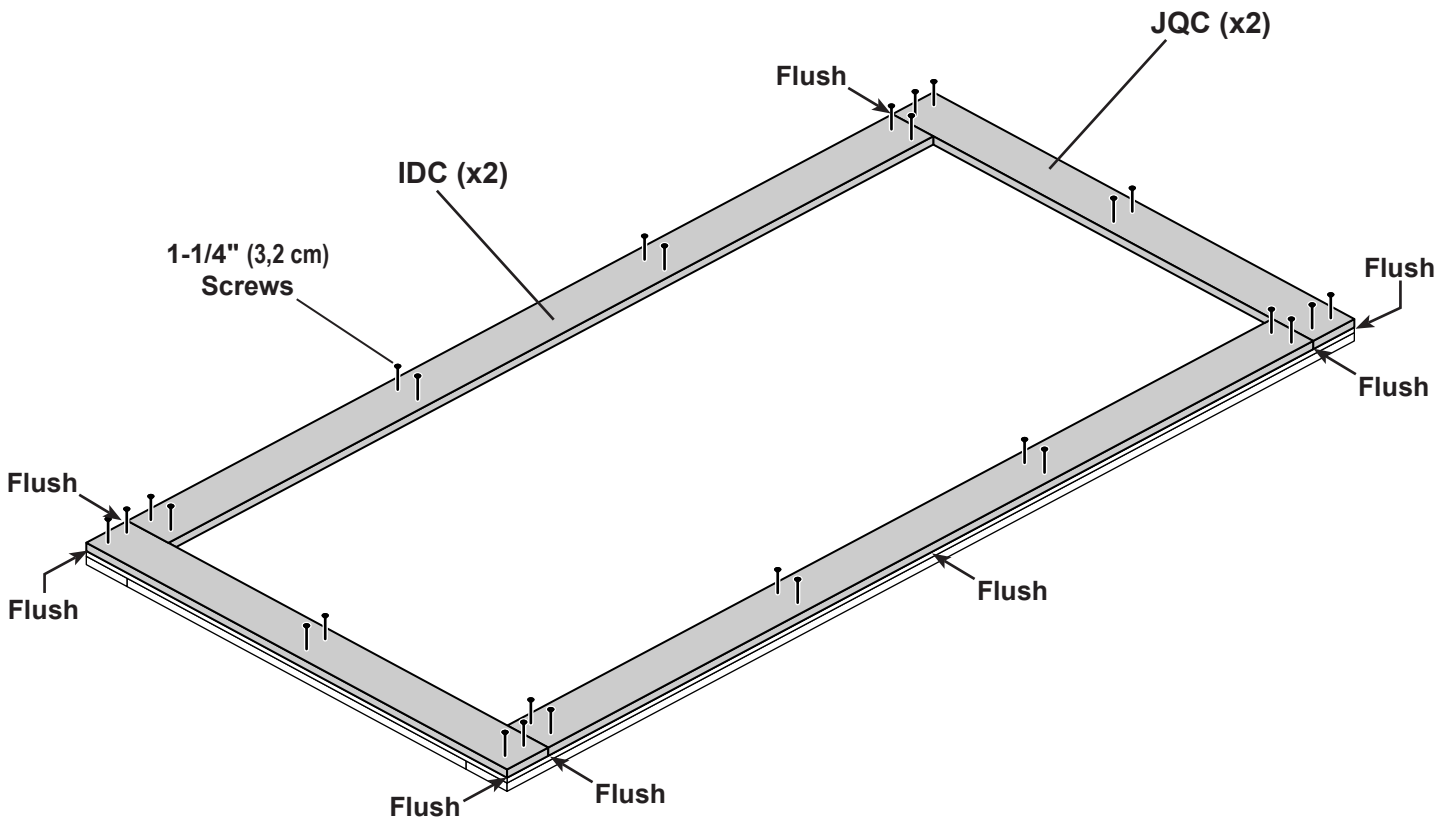


✓ **BEGIN**

1 Reinforce the back of the front door by installing (2) **JQC** and (2) **IDC**.

Flush parts at all corners, edges and seams.

Secure with 1-1/4" screws spaced evenly, as shown.



FRONT DOOR HARDWARE

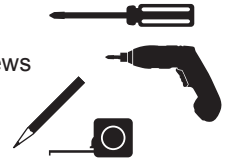
PARTS REQUIRED:

x1 **Metal Rain Channel (drip edge)**
1" x 1" x 36" (2,5 x 2,5 x 191,4 cm)

x4 **#8 x 3/4" (1,9 cm) Self-Piercing Round Head Screws**

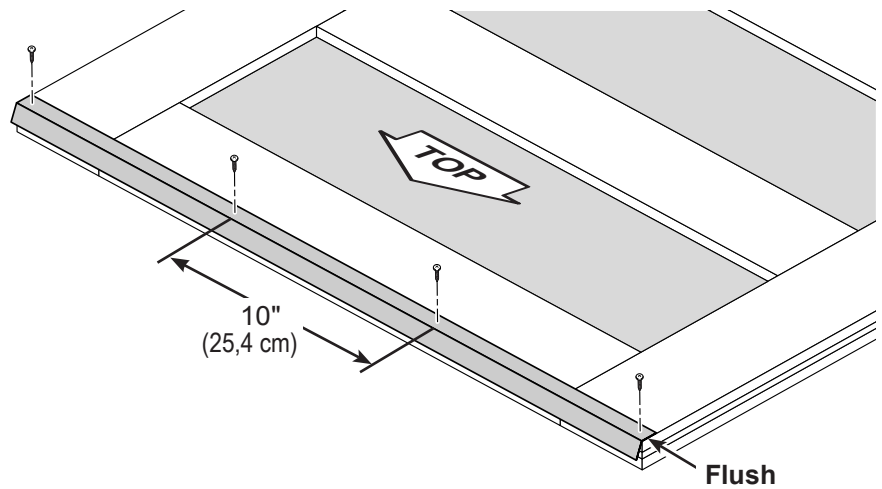
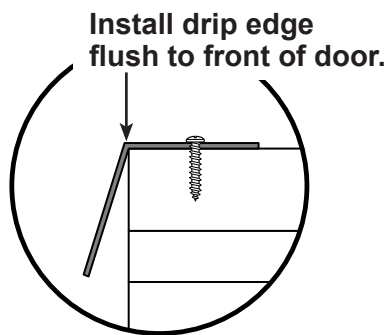
x1 **Door J-Channel**
1-1/4" x 7/16" x 36" (3,2 x 1,1 x 91,4 cm)

x4 **#8 x 1" (2,5 cm) Wide Head Metal Screws**

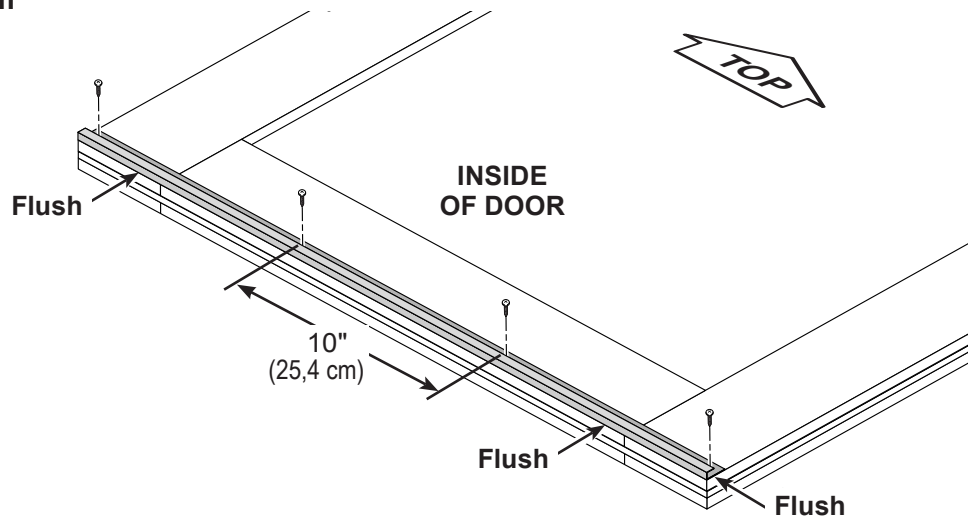
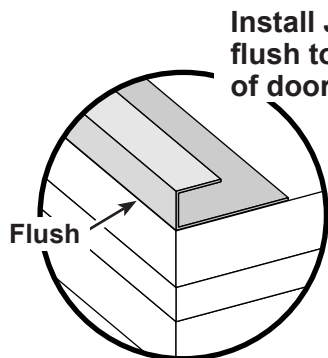


✓ BEGIN

- 1 Install 36" drip edge flush to end and centered across upper corner of door. Secure rain channel with 3/4" screws spaced evenly (approx. 10").



- 2 Install 36" J-Channel flush to end and centered across inside bottom corner of door. Secure J-Channel with 1" screws, spaced evenly (approx. 10").



DOOR HARDWARE

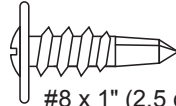
PARTS REQUIRED:

x1



36" (91,4 cm) Door Brush

x7



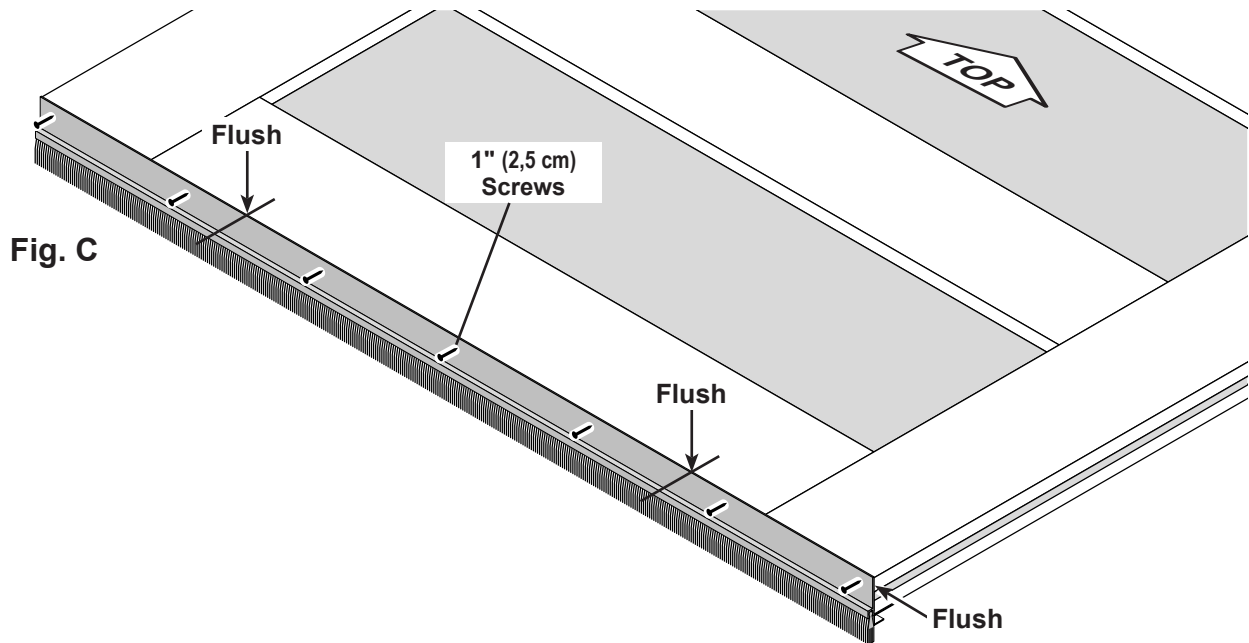
#8 x 1" (2,5 cm)
Wide Head Metal Screws



✓ **BEGIN**

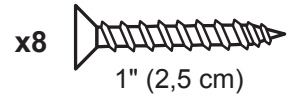
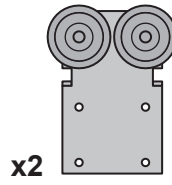
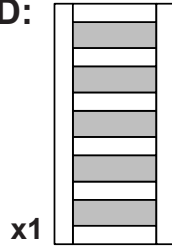
1 Install 36" door brush to bottom of door, flush channel across outside of door (**Fig. C**).

Secure brush channel with 1" self-drilling screws, spaced evenly.



DOOR TROLLEYS

PARTS REQUIRED:

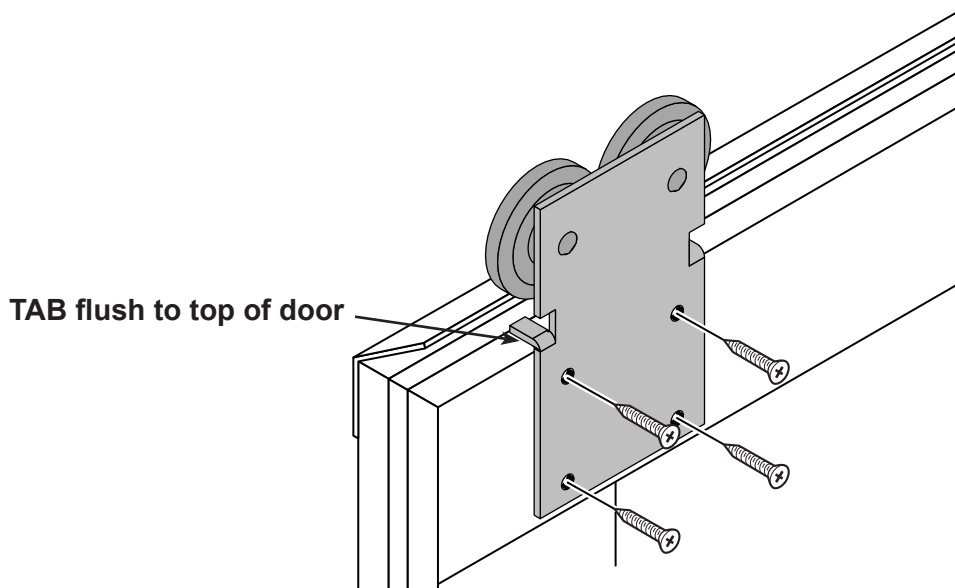
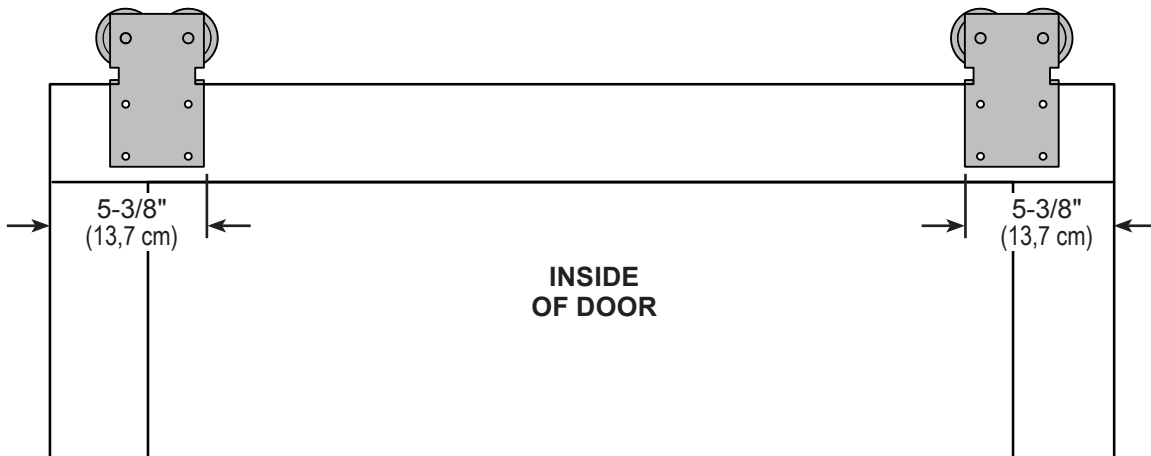


✓ BEGIN

1 Install (2) rolling door trolleys to inside top of door.

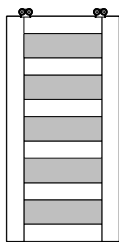
Secure trolleys screws supplied in rolling door hardware bag.

Position as shown.

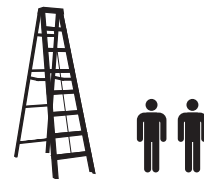


DOOR INSTALLATION

PARTS REQUIRED:



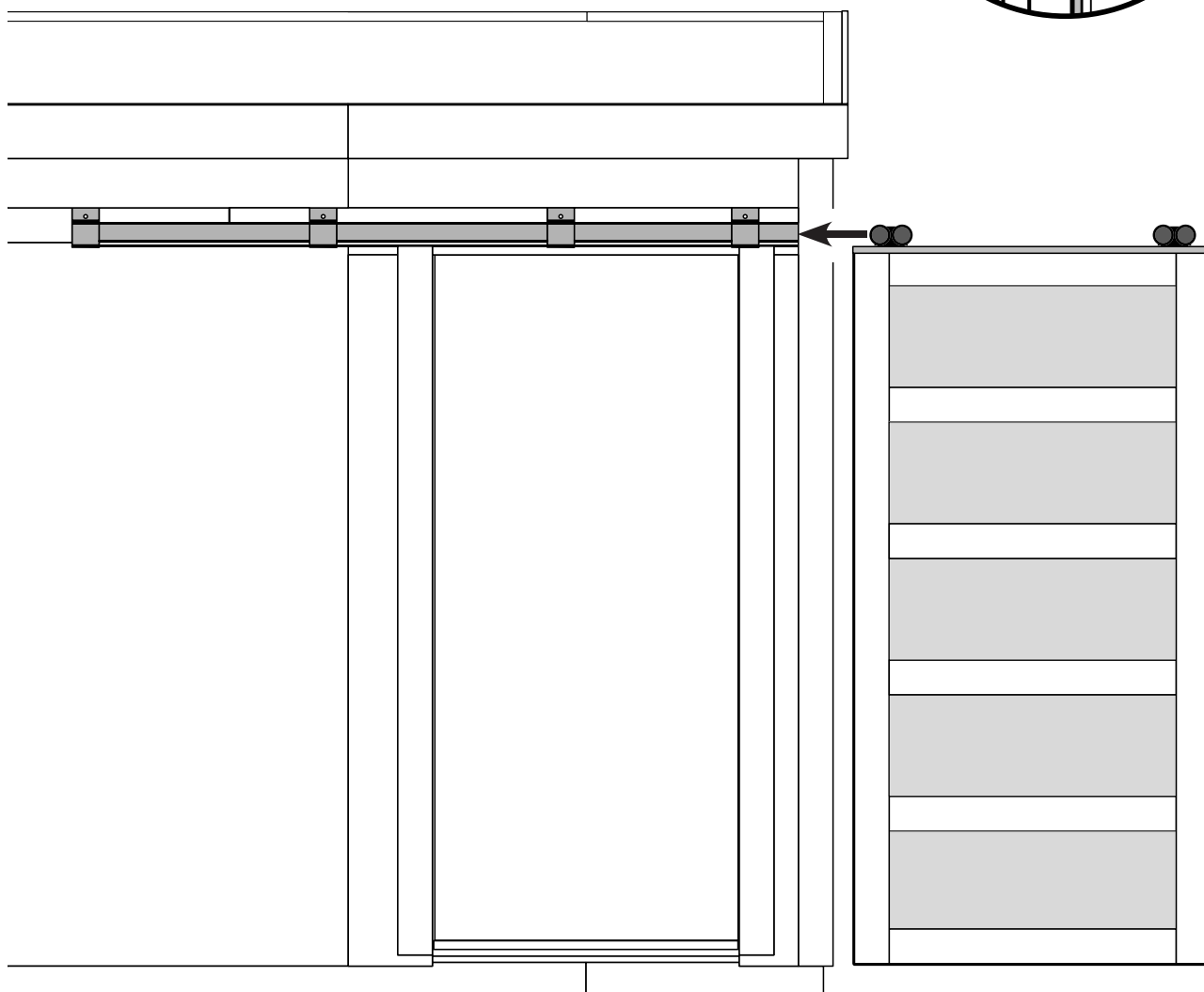
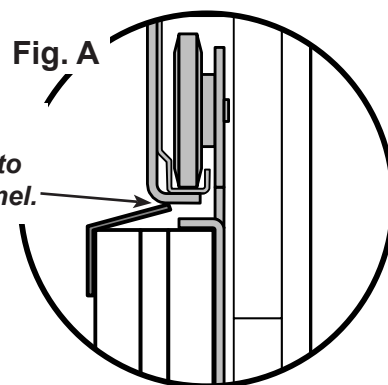
x1



✓ BEGIN

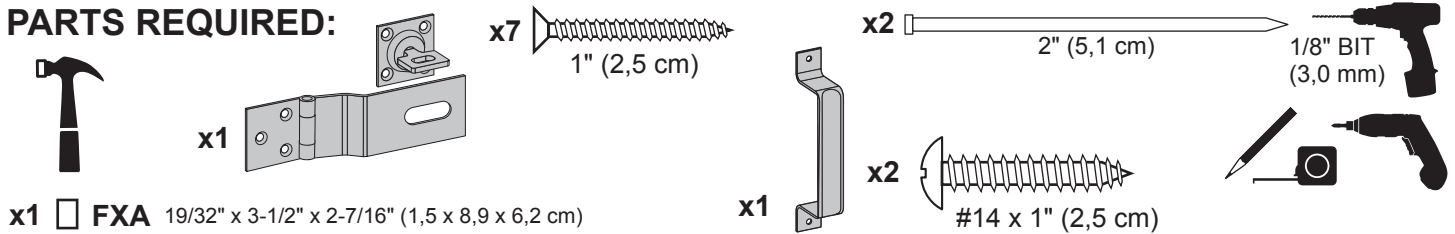
- 1 Slide door into track, as shown (Fig. A).

NOTE:
Install door into track slowly to prevent damage to rain channel.



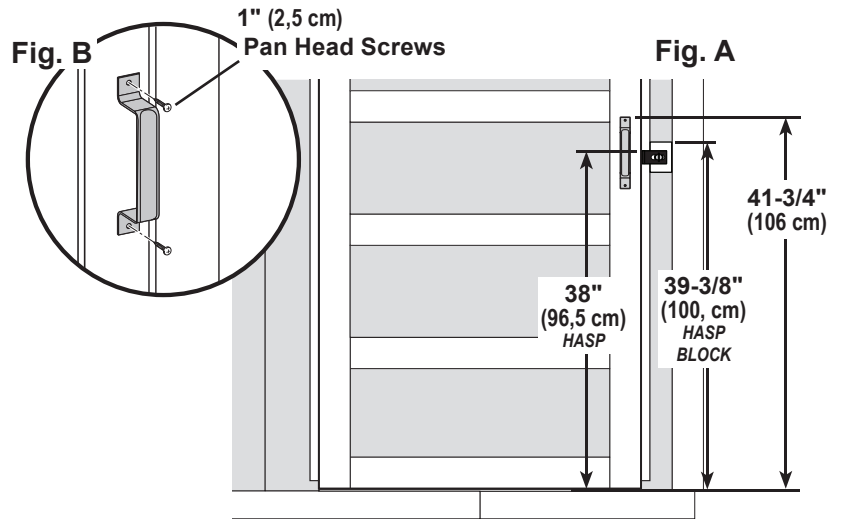
DOOR HARDWARE

PARTS REQUIRED:



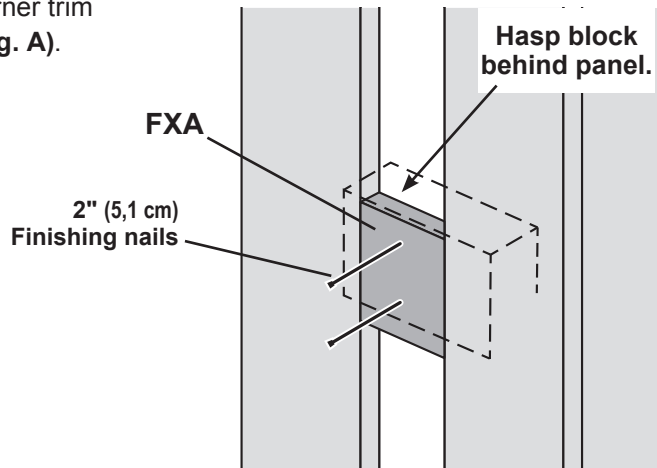
✓ BEGIN 1

Install door handle on door trim to measurement from bottom of corner trim (**Fig. A**).
 Secure handle to door with (2) 1" pan head screws (**Fig. B**).
 Pre-drill using a 1/8" drill bit.



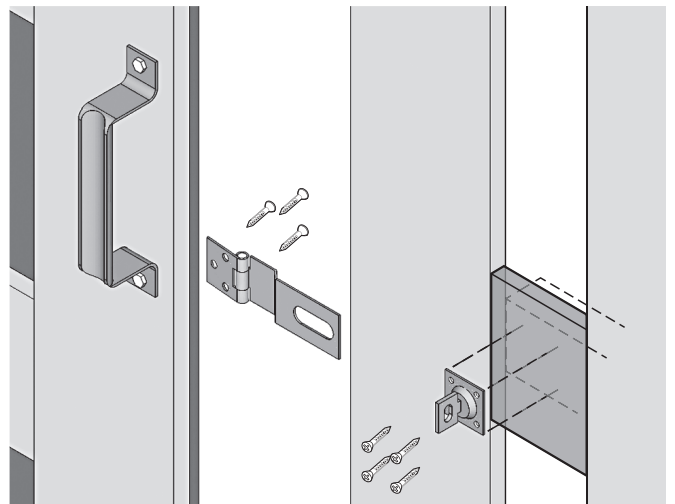
2

Install hasp trim block **FXA** between door trim and corner trim at measurement shown from bottom of corner trim (**Fig. A**).
 Secure with 2" finishing nails into inside hasp block.



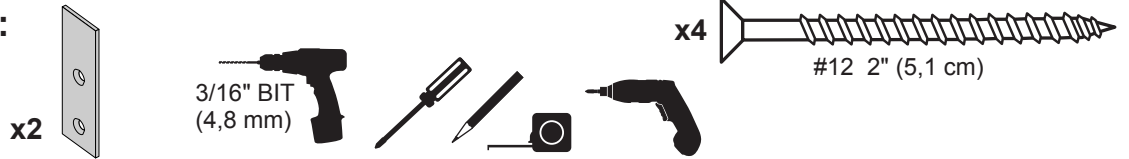
3

Refer to hasp hardware packaging instructions for installation.
 Install hasp on door and hasp block at measurement shown from bottom of trim (**Fig. A**).
 Secure with hardware provided with hasp.



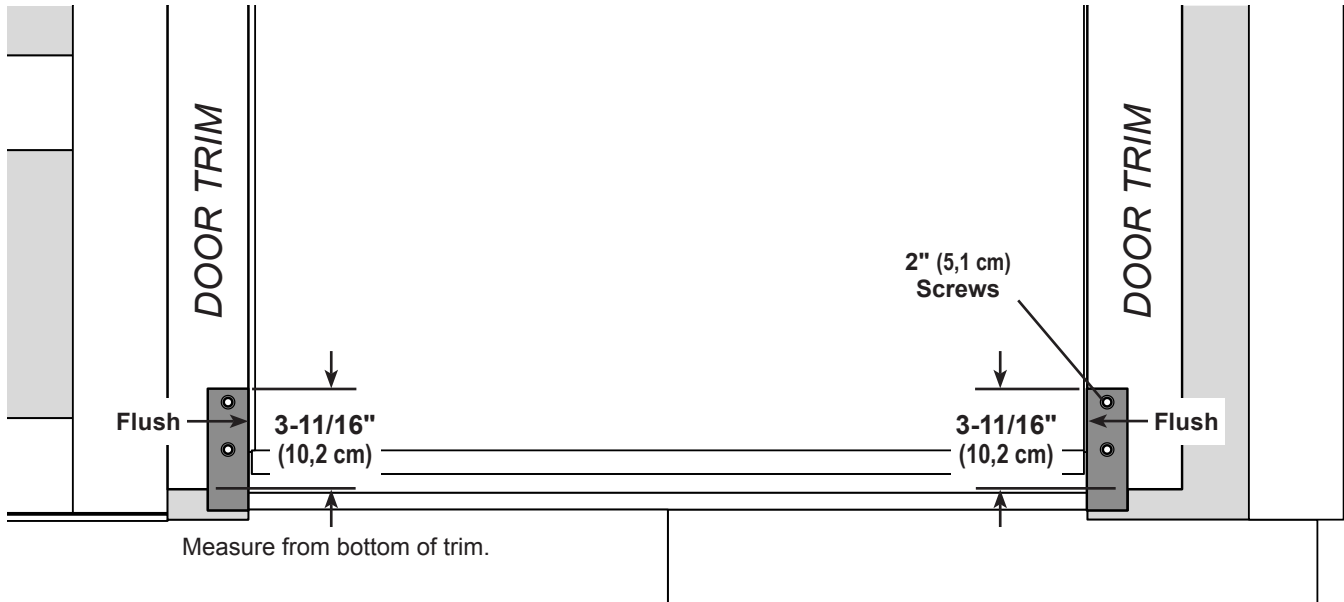
DOOR HARDWARE

PARTS REQUIRED:



✓ BEGIN

- Roll the door open.
Install track plate (with top screw only) to measurement shown from bottom of door trim.
Pre-drill holes with 3/16" bit.



2

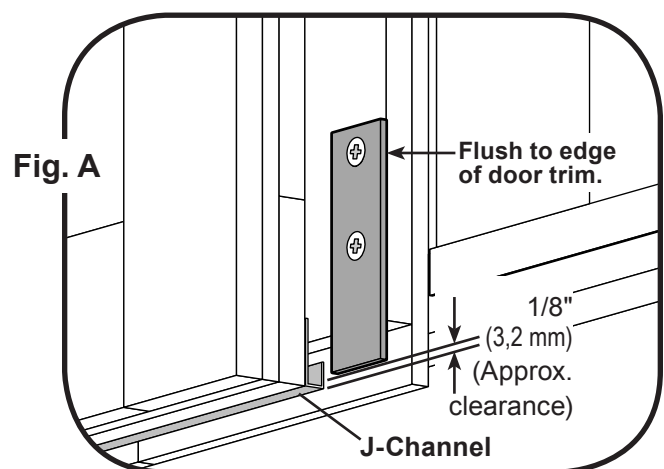
It may be necessary to adjust the track plate.
Loosen screw and move plate until plate clears the bottom of J-Channel
(Approx. 1/8" (3,2 mm) (Fig. A).

Install the bottom screw and tighten upper screw.

Adjust both plates for best operation.

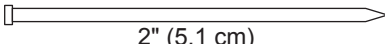
NOTE:

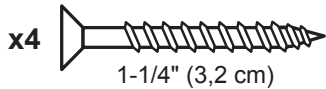
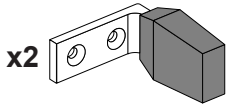
1/4" x 1/4" fender washers are included in hardware kit. If necessary, use these washers as spacers behind track plates



DOOR HARDWARE

PARTS REQUIRED: x1  **FXA** 19/32" x 3-1/2" x 2-7/16" (1,5 x 8,9 x 6,2 cm)

x2  2" (5,1 cm)

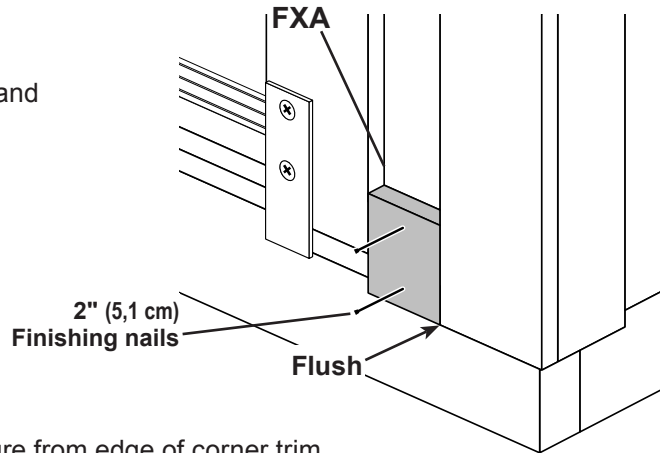


1/8" BIT
(3 mm)



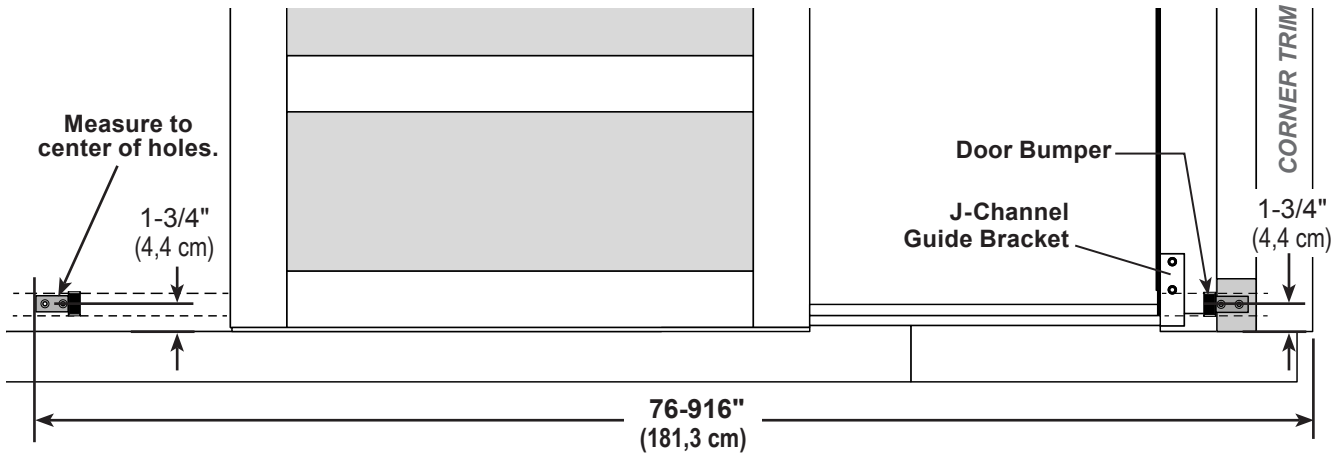
BEGIN
1

Install door bumper trim block **FXA** between door trim and corner trim, flush to bottom of corner trim. Secure with 2" finishing nails.



2

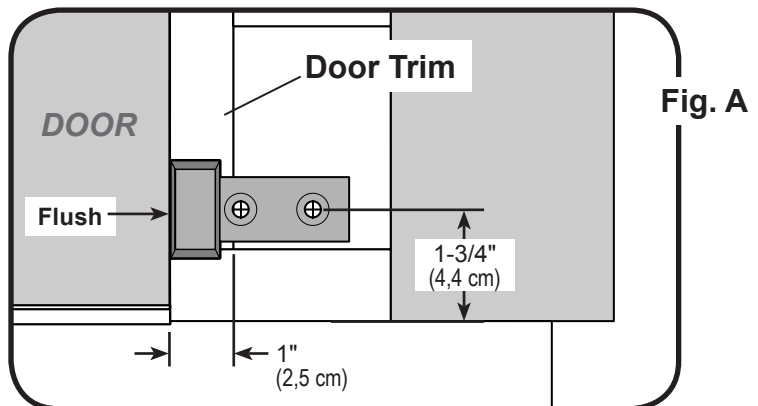
Install left door bumper to measurement shown. Measure from edge of corner trim. Locate bumper hole-center 1-3/4" above bottom edge of wall panel (**Fig. A**). Secure door bumper with 1-1/4" screws. **Pre-drill screw holes.**



3


Install right bumper to door trim and **FXA**. Locate right side of door 1" (2,5 cm) from right edge of door trim (**Fig. A**). Locate bumper hole-centers 1-3/4" above bottom edge of corner trim. Flush door bumper to right edge of door (**Fig. A**).

Secure door bumper with 1-1/4" screws. **Pre-drill screw holes.**



DOOR BRUSH HARDWARE

PARTS REQUIRED:

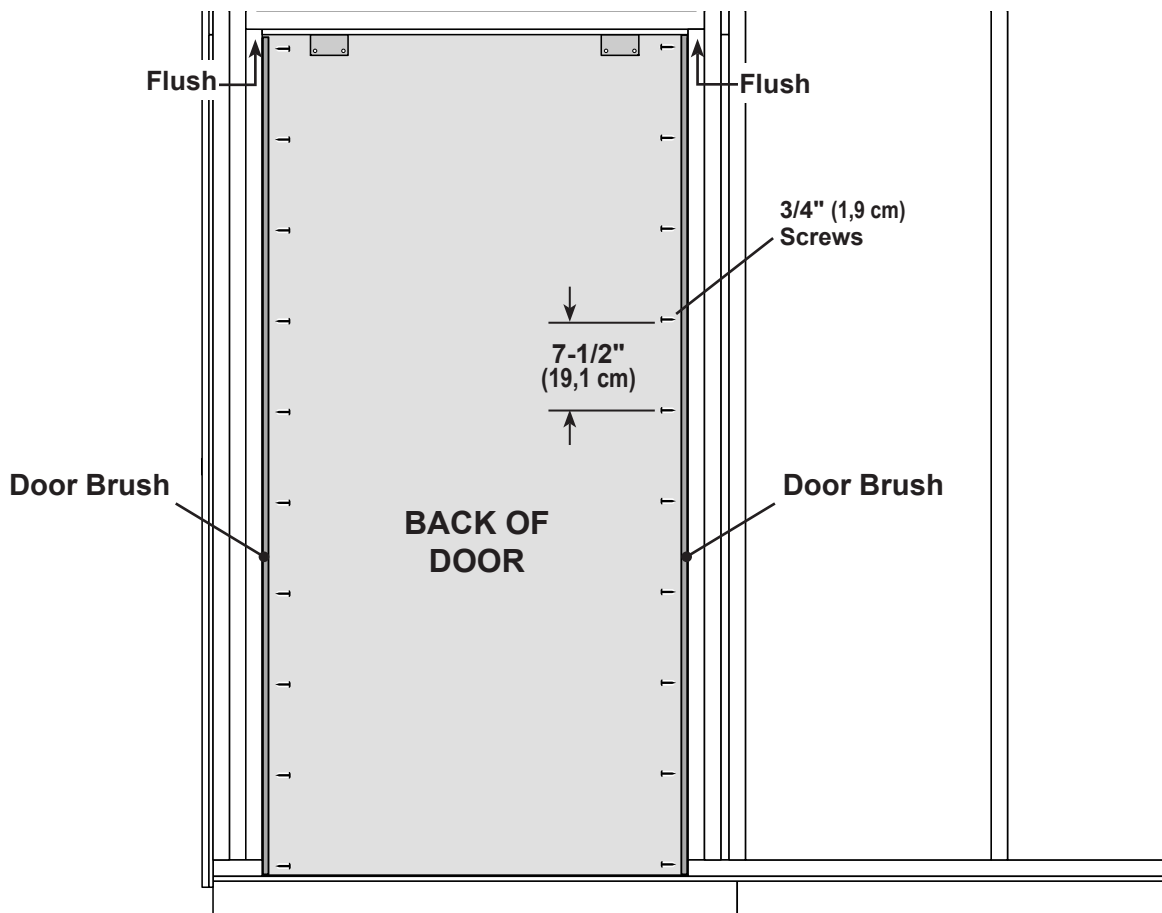
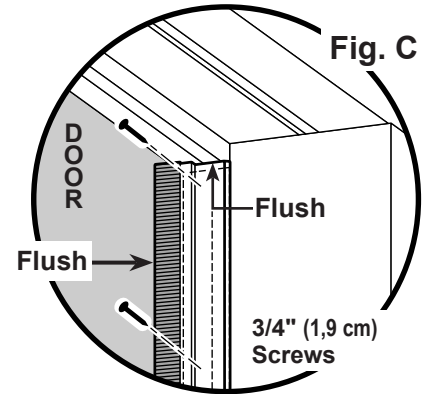
x2  69-3/4" (177,2 cm) Door Brush

x20  #8 X 3/4" (1,9 cm)
Self-Piercing
Round Head Screws



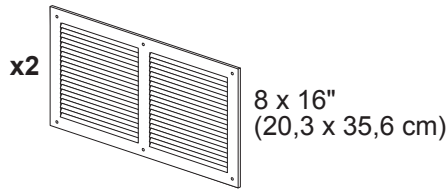
✓ **BEGIN**


- 1 With door closed, install (2) 69-3/4" door brushes flush to over-door trim and flush to inside of door (**Fig. C**).
Secure with 3/4" self-drilling screws, as shown.

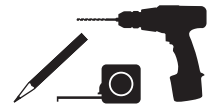


VENTS

PARTS REQUIRED:



x12 
1/2" (1,3 cm)



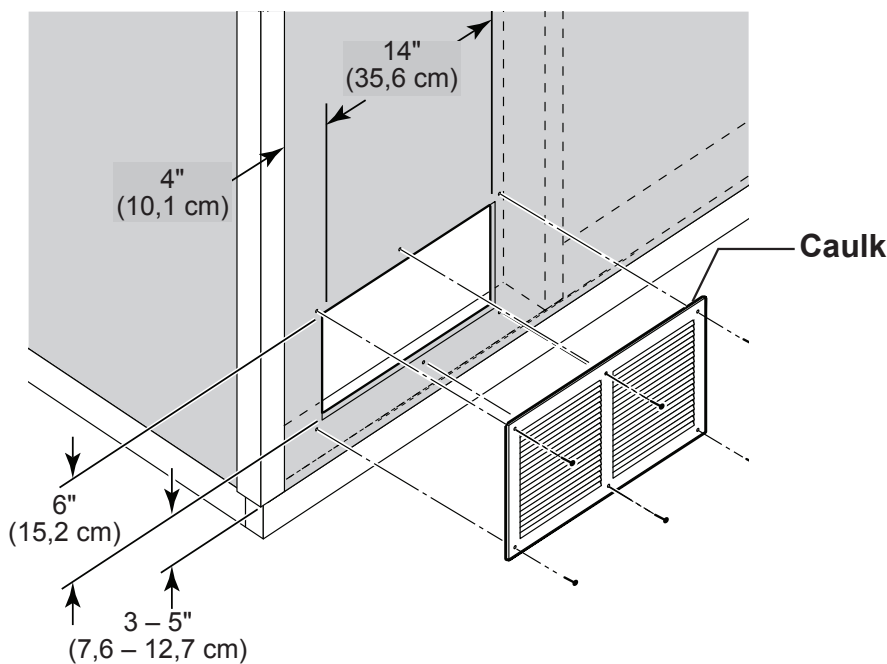
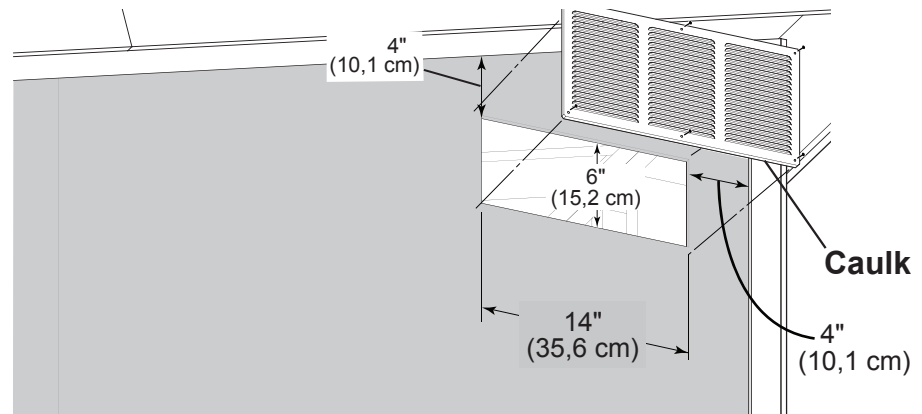
✓ BEGIN

1 Locate and mark for two vents in both side walls as shown. (1) at top and (1) at bottom

Cut out marked openings.

Caulk behind vent flanges.

Secure with 1/2" (1,3 cm) screws.



FINISH

Your vents are now installed.

PAINT & CAULK - NOT INCLUDED -



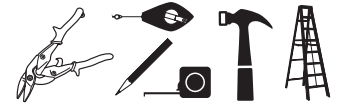
- Use acrylic latex caulk that is paintable. Caulk at all horizontal and vertical seams, between the trim and walls, and all around the door trim.
- Use a high quality exterior acrylic latex paint. When painting your building, there are a few key areas that can be easily overlooked that must be painted:
 - Bottom edge of all siding and trim
 - Inside of doors and all 4 edges

Note:

Prime all un-primed exterior wood before painting.
(Follow directions provided by manufacturer.)

DRIP EDGE

PARTS REQUIRED:



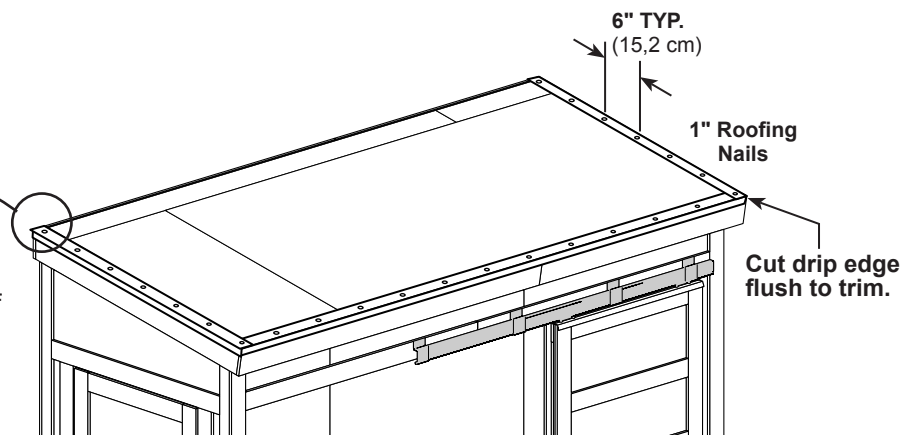
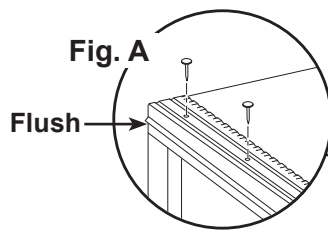
NOTE: Install drip edge to back of shed before installing roofing felt.



You must install drip edge to validate warranty.

✓ **BEGIN**

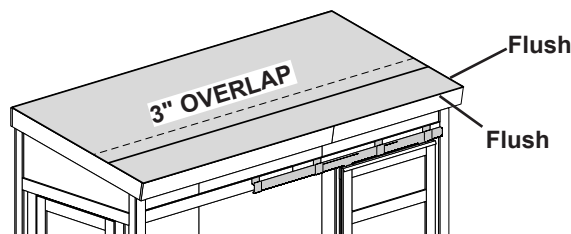
- 1** Install front drip edge flush along roof panel. Flush ends to trim. Secure with 1" roofing nails 6" apart. Only nail top of drip edge.



- 2** Install side drip edge flush along roof panels. Flush ends to trim (**Fig. A**). Secure with 1" roofing nails 6" apart. Only nail top of drip edge.

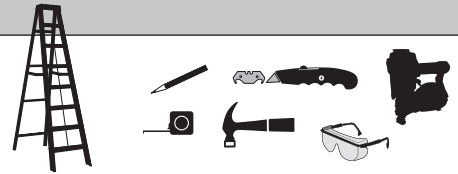
- 2** Install roofing felt flush to all roof edges, overlapping 3".

(Follow directions provided by manufacturer.)

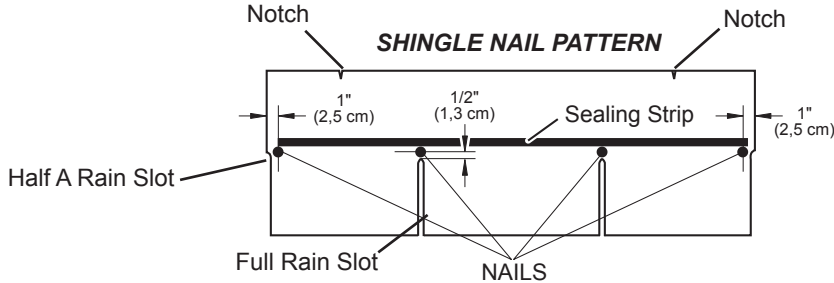


SHINGLES - NOT INCLUDED -

• Follow directions provided by manufacturer and these instructions.



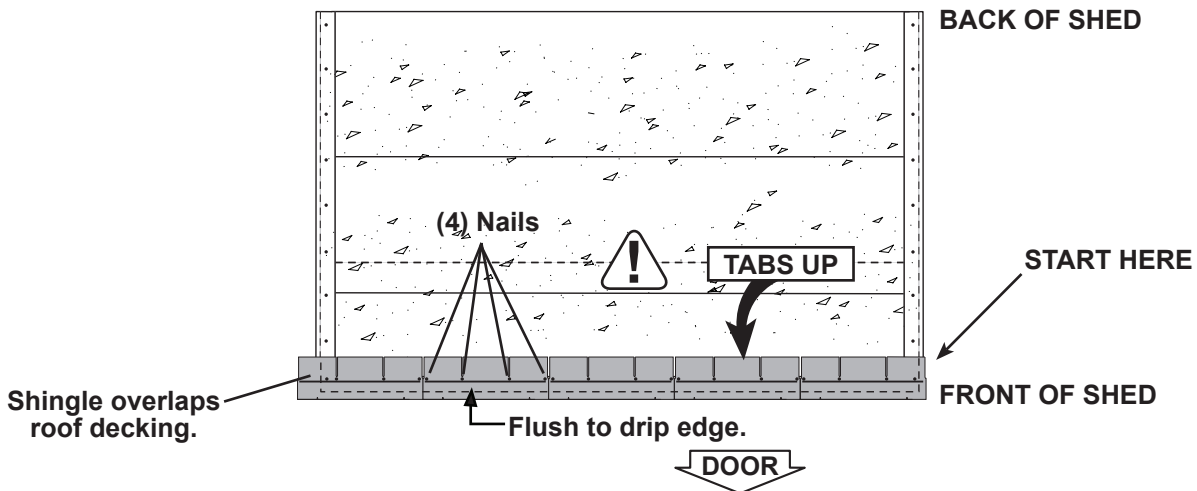
! Familiarize yourself with a 3-Tab Shingle.



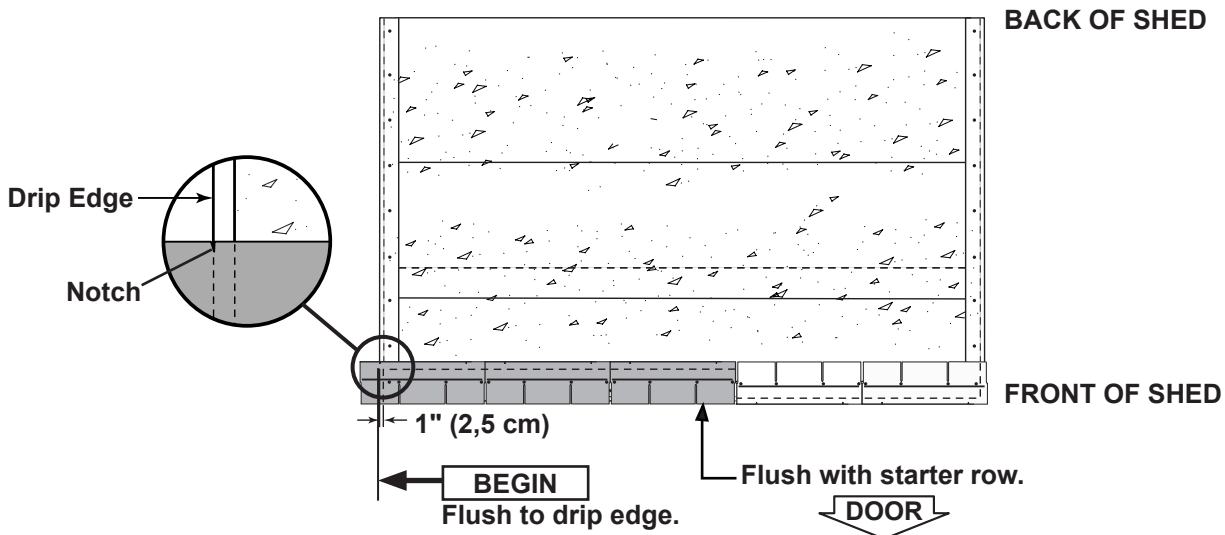
! NEVER DRIVE FASTENERS INTO OR ABOVE SEALING STRIPS.

✓ BEGIN

1 *Begin at the front of roof and work your way up to the back of roof:*
Install first starter row upside down, color up and flush to drip edge at bottom of roof panel. Use (4) nails per shingle. Starter row must be straight and level all the way across with lower edge of roof deck.

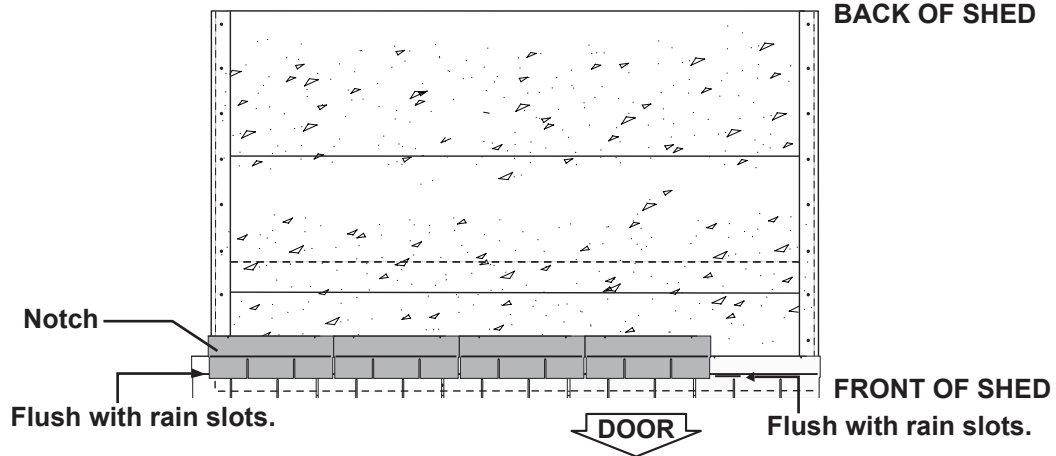


2 Begin where indicated on image below, install first row of shingles with notch flush with drip edge.

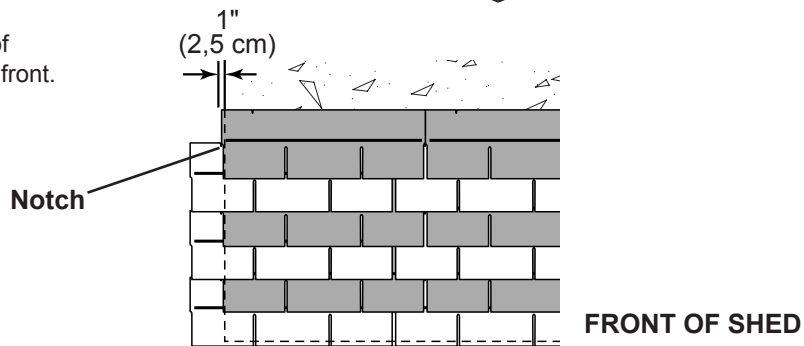


SHINGLES continued...

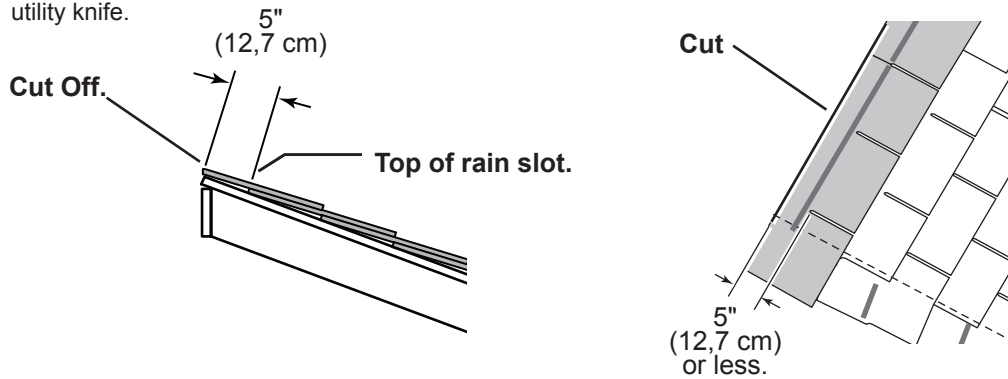
- 3** Install second row of shingles flush at top of first row's rain slots. Ensure flush to drip edge at front side, stagger each row.



- 4** Continue installing rows of shingles by staggering at front.

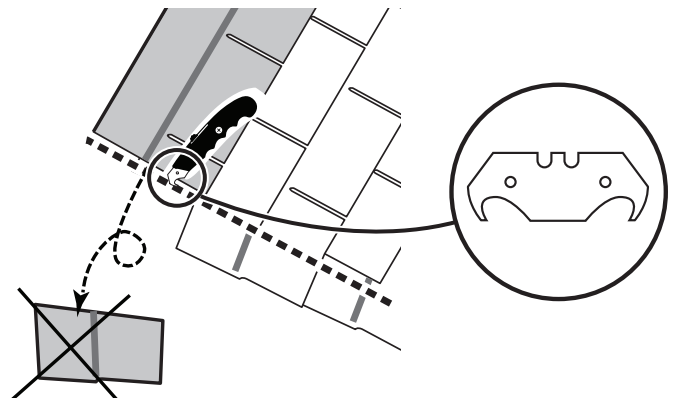


- 5** Continue installing rows of shingles to the back of the shed. At the back edge of the shed make sure there is a maximum of 5" or less to the rain slot, as shown below. If shingles overlap at back roof edge cut to roof edge with a utility knife.



- !** • If more than 5" to rain slot you must install another row of shingles.

- 6** Using your shingle hooked blade carefully cut shingles along chalk line.

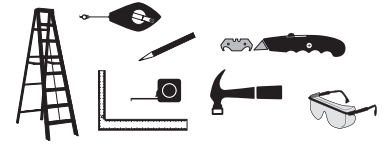
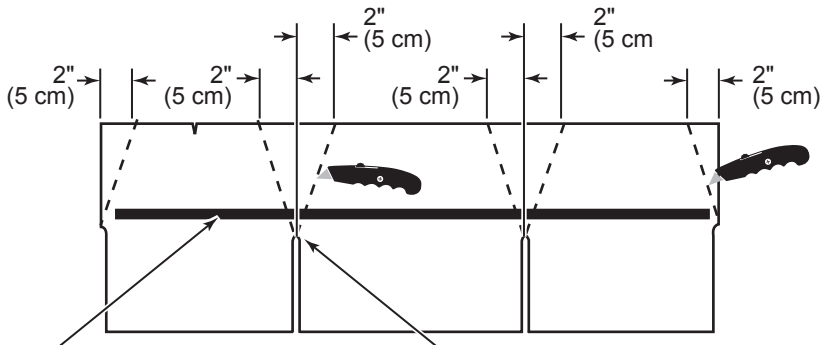


SHINGLES - DRIP EDGE & BACK CAP

✓ **BEGIN**

• You will finish off the top of the roof with a back cap made from shingles.

- 1** Cut shingles into (3) pieces. Hint: Use cut-off pieces first.



Score shingle, then snap-off angled cut.

33 to 35 Pieces

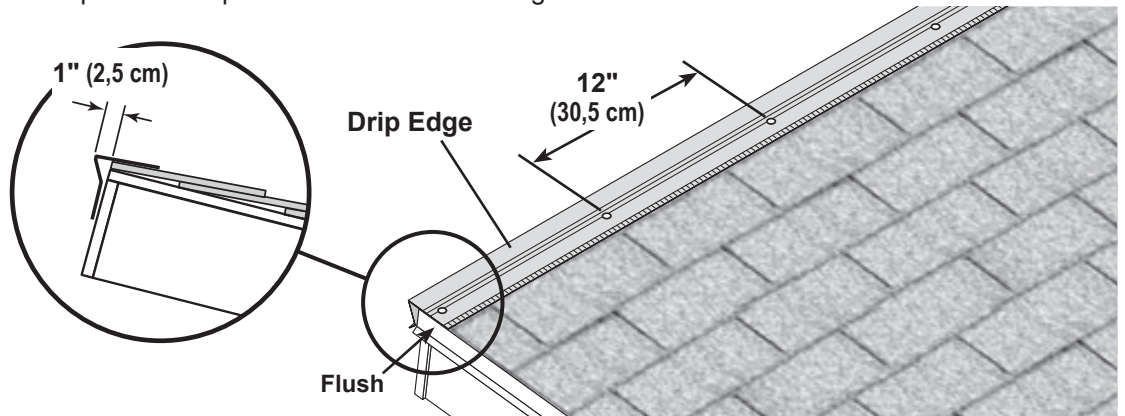
Note:

You will need about 33 - 35 cut pieces.

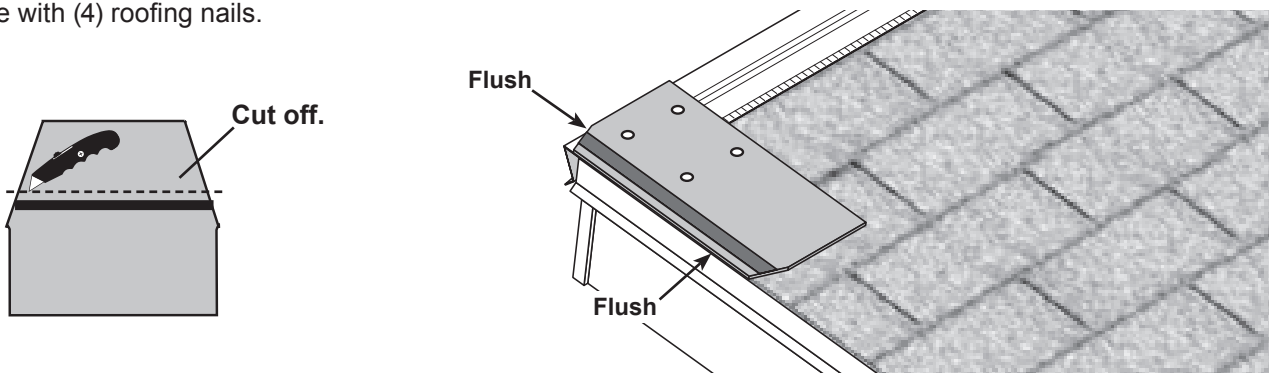
Weather Seal

Top of slot.

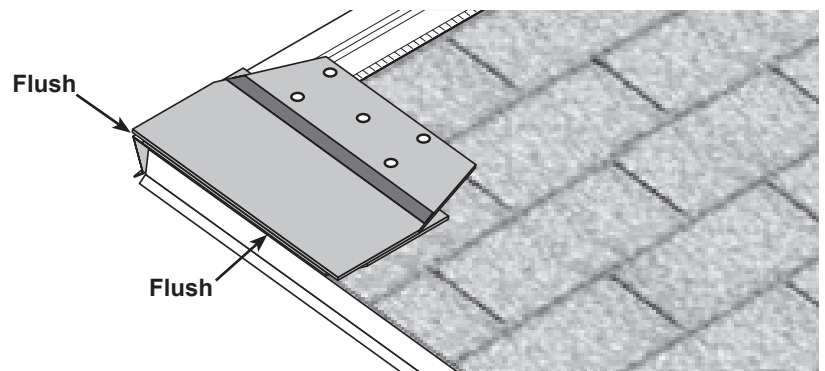
- 2** Install drip edge over top shingle row with 1" overhang over roof edge. Secure with roofing nails spaced 12" apart across entire back edge of roof.



- 3** Cut one shingle short as a starter shingle. Install starter shingle with edges flush to drip edge. Secure with (4) roofing nails.

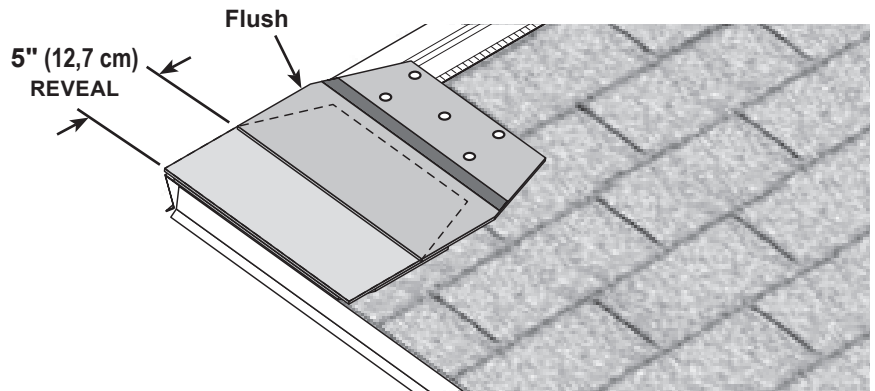


- 4** Align 1st cap shingle over top of installed starter shingle, flush to outer edges. Secure with (5) roofing nails.

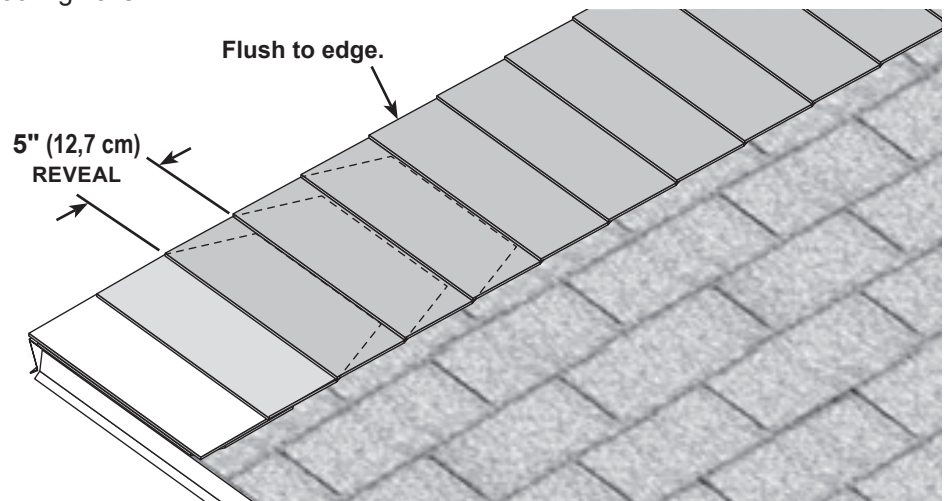


SHINGLES - DRIP EDGE & BACK CAP

- 5 Install 2nd cap shingle over top of 1st cap shingle, flush to drip edge, and with a 5" reveal. Secure with (5) roofing nails.



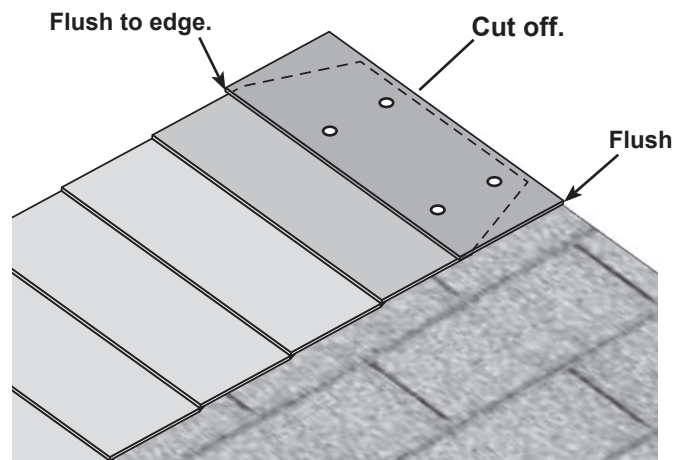
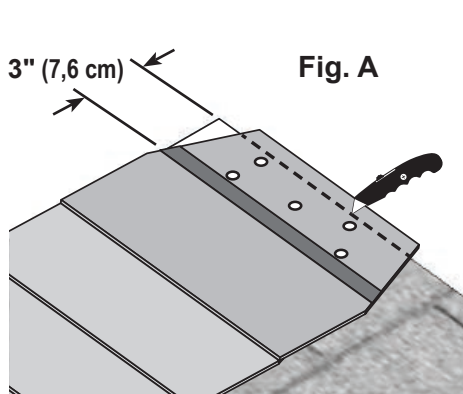
- 6 Working across entire back edge of roof, continue installing more cap shingles as in step 5. Secure each cap shingle with (5) roofing nails.



- 7 When installing the last shingle of the row, there must be a weather seal strip within 3" (7,6 cm) from the edge of the roof (**Fig. A**). If the seal strip is not within 3" (7,6 cm) from the edge of the roof, add an extra shingle. Trim the last cap shingle flush to the edge.

For the final end cap shingle, cut off the tail end and install flush to front edge of last installed shingle, and flush to eave side drip edge.

Secure shingle with (4) roofing nails. Cover nail heads with asphalt pitch or tar.



You have finished shingling your roof.

16909 10' x 4' Order Form

| CATEGORY | PART DESCRIPTION | PART SIZE | PART ITEM # | BUILDING QTY. | PART ID |
|---------------------------|--|---|---------------|---------------|---------|
| 2 X 3 | Hasp Block | 2 x 3 x 4-1/8" | Q 0402000000 | 1 | RAC |
| | Short Shelf Support A | 2 x 3 x 5-3/4" | Q 0512000000 | 2 | WDB |
| | Short Shelf Support B | 2 X 3 X 8 3/4" PACKING MTL / | Q 0812000000 | 1 | --- |
| | Long Shelf Support | *2 X 3 X 93-3/4" | Q 9312000000 | 1 | RTB |
| 2 X 4 | Rafter | *2 X 4 X 53-1/2" 10" RAFTER | O 5308100000 | 6 | MJC |
| | Outside Rafter | *2 X 4 X 53-7/8" 10" RAFTER | O 5314100000 | 2 | IVB |
| | Long Shelf Support | 2 X 4 X 93 3/4" DOUBLER | O 9312000000 | 1 | CTZ |
| | Beveled Top Plate | 2X4X72 10" BEVEL | O 7200000B10 | 2 | GVC |
| | Beveled Top Plate Short | 2X4X48 10" BEVEL | O 4800000B10 | 2 | EMA |
| | Back Wall Studs | *2 X 4 X 88 1/2" STUD | O 8808000000 | 6 | IMU |
| | Front Wall Stud | 2 X 4 X 80-5/8" FRAMING | O 8010000000 | 8 | XMB |
| | Jack Stud | *2 X 4 X 69 3/8" STUD | O 6906000000 | 2 | HUB |
| | Side Door Wall Front Stud | *2 X 4 X 84 9/16" 10" STUD | O 8409100000 | 1 | FVA |
| | Side Door Wall Back Stud | *2 X 4 X 90 11/16" 10" STUD | O 9011100000 | 1 | DKC |
| | Center Wall Stud Non Door Side | *2 X 4 X 73-1/4" | O 7304000000 | 1 | CXB |
| | Over Door Cripples | 2 X 4 X 6 1/4" OVER DOOR CRIPP | O 0604000000 | 3 | AYC |
| | Bottom Plate Short | 2X4X48" DOUBLER/ PLATE/ CRATE | O 4800000000 | 2 | SP |
| | Bottom Plate Long | *LUM SPF 2X4X72 #2&BTR | O 7200000000 | 2 | TM |
| | Side Brace | 2 X 4 X 41" PRECUT OR PLATE | O 4100000000 | 1 | VWA |
| | Front Door Headers | *2 X 4 X 33-5/8" STUD | O 3310000000 | 3 | BZM |
| | Side Brace Door Side | 2 X 4 X 31 5/16" | O 3105000000 | 1 | LBA |
| 2 X 4 TREATED FLOOR FRAME | Bond Board | LUM TRTD 2 X 4 X 96 #2&BTR | P 9600000000 | 2 | --- |
| | Bond Board Short | 2 X 4 X 24 #2&BTR | P 2400000000 | 2 | --- |
| | Floor Joist | 2 X 4 X 45 #2&BTR | P 4500000000 | 10 | --- |
| 7/16 OSB | Header Filler | *7/16" OSB 3-1/4" X 33-5/8" | C 33100304000 | 1 | --- |
| | Roof Panel C | 7/16" OSB 5-1/2" X 96" ROOF P | C 96000508000 | 1 | --- |
| | Roof Panel B | 7/16" OSB 23 7/8" X 48" ROOF & | C 48002314000 | 1 | --- |
| | Roof Panel A | OSB 7/16" x 4' x 8' | 11110 | 1 | --- |
| | Roof Panel D | 7/16" OSB 5-1/2" X 23-7/8" | C 23140508000 | 1 | --- |
| | Roof Panel E | *7/16" OSB 1-7/8" X 53-1/2" | C 53080114000 | 2 | --- |
| | Shelf Bracket | EZ 8" 8" X 12 1/2" PRECUT for | J 120808000PP | 1 | --- |
| | Shelf Top | 7/16" OSB 9" X 96" ROOF PANEL | C 96000900000 | 1 | --- |
| Prostruct | Floor | FLOORING 5/8" X 4' X 8' PROSTR | 11539 | 1 | --- |
| | Floor B | 5/8" PROSTRUCT 23 7/8" X 48" | D 48002314000 | 0.25 | --- |
| NO GROOVE SIDING | Front Door Panel | 3/8" NG 36" X 72" DOOR PANEL - 1X6 TRIM | K 72003600000 | 1 | --- |
| | Front Wall Panel A | SIDING NGSE 3/8X4X7" | 11507 | 1 | --- |
| | Front Wall Panel B | *NG 24" X 84" WALL PANEL | K 84002400000 | 1 | --- |
| | Front Wall Panel C | *3/8" NG 8-1/2" X 71-7/8" | K 71140808000 | 2 | --- |
| | Back Wall A | SIDING NGSE 3/8X4X8" | 11508 | 2 | --- |
| | Back Wall B | 3/8" NG 23 7/8" X 96" | K 96002314000 | 1 | --- |
| | Side Door Panel | 3/8" NG 31-5/8" X 71-5/8" | K 71103110000 | 1 | --- |
| | Left Gable Panel | *3/8" NG 20" X 48" LFT GABLE P | K 48002004000 | 1 | --- |
| | Right Gable Panel | *3/8" NG 20" X 48" RGT GABLE P | K 48002003000 | 1 | --- |
| | Gable Filler | 3/8" NG 3 1/2" X 4 3/4" FILLER | K 04120308010 | 2 | --- |
| | Front Soffit | *3/8" NG 3-11/16" X 73-7/8" | K 73140311000 | 1 | --- |
| | Small Front Soffit | 3/8" NG 3-11/16" X 49-7/8" | K 49140311000 | 1 | --- |
| | Side Soffit | 3/8" NG 1-1/2" X 49-1/2" | K 49080108000 | 2 | --- |
| | Side Wall Panel A | *3/8" NG 7-13/16" X 74" | K 74000713000 | 2 | --- |
| | Side Wall Panel B | SIDING NGSE 3/8X4X76" | 11501 | 1 | --- |
| | Over Door Filler | *3/8" NG 12-1/8" X 48" | K 48001202000 | 1 | --- |
| | Side Doorwall Filler | *3/8" NG 1-3/4" X 32-3/8" | K 32060112000 | 1 | --- |
| 19/32 X 3 SMART TRIM | Left Side Front Corner Trim | **19/32 TST 2 1/2" X 84" @ *10 | UT84000208210 | 1 | MTD |
| | Left Side Back Corner Trim | 19/32 TST 2 1/2 X 92 1/8" @ 10 | UT92020208210 | 1 | NCD |
| | Right Side Front Corner Trim | **19/32 TST 2 1/2" X 84" @ *10 RGT | UT84000208110 | 1 | ONA |
| | Right Side Back Corner Trim | 19/32 TST 2 1/2 X 92 1/8" @ 10 RGT | UT92020208110 | 1 | GSD |
| 19/32 X 4 SMART TRIM | Side Door Hinge Board | 19/32 TST 3 1/2" X 72 3/8" | UT72060308000 | 1 | ZP |
| | Rail Guide | **19/32 TST 3 1/2" X 10 1/8" | UT10020308000 | 1 | FMB |
| | Front Door Vertical Door Stiles | 19/32 TST 4" X 72" TRIM | UT72000308000 | 2 | ZO |
| | Side Door Vertical Door Stiles | 19/32 TST 4" X 71 5/8" STILE | UT71100308000 | 2 | ZK |
| | Front Corner Trim | **19/32 TST 3-1/2" X 83-07/16" | UT83070308000 | 2 | DIA |
| | Back Corner Trim | **19/32 TST 3-1/2" X 90-15/16" | UT90150308000 | 2 | LUT |
| | Front Door Inner Horizontal Trim | **19/32 TST 3-1/2" X 36" | UT36000308000 | 2 | JQC |
| | Front Door Vertical Trim | 19/32 TST 3-1/2" X 65" | UT65000308000 | 2 | IDC |
| | Door Trim | 19/32 TST 4" X 72" TRIM | UT72000308000 | 3 | ZO |
| | Side Door Horizontal Rail | 19/32 TST 3 1/2" X 24 5/8" | UT24100308000 | 6 | --- |
| | Front Door Horizontal Rail | 19/32 TST 3 1/2" X 29" | UT29000308000 | 6 | MAC |
| | Side Trim | **19/32" TST 3-1/2" X 43-3/4" | UT43120308000 | 2 | HAD |
| | Bumper Hasp Trim | **19/32 TST 3-1/2" X 2-7/16" | UT02070308000 | 2 | FXA |
| | Front wall Trim | **19/32 TST 3-1/2" X 57-7/16" | UT57070308000 | 2 | TSA |
| 19/32 X 6 SMART TRIM | Overhang Trim Short | **19/32 TST 5-1/2" X 50-1/2" TR | UT50080508000 | 2 | UAC |
| | Overhang Trim Long | **19/32 TST 5-1/2" X 74-7/16" T | UT74070508000 | 2 | VOA |
| | Left Gable Trim | **19/32 TST 5 1/2" X 54" @ 10" LFT | UT54000508210 | 1 | SZA |
| | Right Gable Trim | **19/32 TST 5 1/2" X 54" @ 10" RGT | UT54000508110 | 1 | GQC |
| PURCHASED COMPONENTS | Door Stiffener | LSL 1-1/4 X 2-1/4 X 69 PET | 12715 | 1 | OO |
| | Metal Hinge | HINGE PIANO 1 3/4"X71" GALV | 15257 | 1 | --- |
| | Hinge Screws | SCREW #6-8 X 1" DEEP THREAD | 15146 | 24 | --- |
| | 6D Nails | | | | |
| | 10D Nails | | | | |
| | Barn Door Track | TRACK ASSEMBLY 6" - (MWI # 103060006) | 15143 | 1 | --- |
| | Hardware kit | H/K (33084) 4X10 LEAN II | 15730 | 1 | --- |
| | Hardware kit | H/K TRACK TROLLEY AND HANDLE P | 15436 | 1 | --- |
| | Threshold | THRESHOLD 7/8" X 1-1/2" X 31-7/8" | 15428 | 2 | --- |
| | Door Drip Edge | GALVANIZED STEEL - 1" x 1" x 36" TOP DOOR FLASHING - .26 GAUGE | 15131 | 1 | --- |
| | Wall Vent | VENT 16" X 8" EXTERIOR (WHITE) | 15002 | 2 | --- |
| | Door Handle | HANDLE - T 5-1/2" SHAFT & "D" | 15375 | 1 | --- |
| | Vertical Door Brushes | ALUM BRUSH SYSTEM 69-3/4" (OT - 1.500) - (Q25 & 2.5G - PBC110540) | 15506 | 2 | --- |
| | Door Guide | ALUM DOOR GUIDE PLATES - 1-1/2" | 15130 | 2 | --- |
| Bottom Door Brush | ALUM BRUSH SYSTEM 36" PBC110342 (OT - 1.187) - (A40 HOLDER) - (4G CHANNEL) POLYPROPYLENE | 15749 | 1 | --- | |
| 36" J-Channel | STEEL GALVANIZED 36" J-CHANNEL | 15583 | 1 | --- | |
| Door Stops | BUMPER - BARN DOOR STOP | 15060 | 2 | --- | |
| Door Lock | LOCKING SAFETY HASP - STAINLES | 15005 | 1 | --- | |
| PACKAGING | Instructions | | 16909 | 1 | --- |

LIMITED CONDITIONAL WARRANTY*

Backyard Storage Solutions, LLC warrants the following:

1. Every product is warranted from defects in workmanship and manufacturing for 1 year.
2. All accessories, hardware and metal components are warranted for 2 years.
3. All Oriented Strand Board (OSB) is warranted for 2 years
4. Siding and Trim is warranted for 10 years.
5. Solar Shed windows are warranted for 1 year.
6. Cedar lumber is warranted for 15 years.
7. Preserved Pine is warranted for 10 years.
8. Redwood is warranted for 10 years.

Backyard Storage Solutions, LLC will repair, replace or pay for the affected part. In no event shall Backyard Storage Solutions, LLC pay the cost of labor or installation or any other costs related thereto. All warranties are from date of purchase. If a cash refund is paid on an affected part, it will be prorated from the date of purchase.

CONDITIONS

The warranty is effective only when:

1. The unit has been erected in accordance with the assembly instructions.
2. The unit has been properly shingled and painted or stained and reasonably and regularly maintained thereafter.
3. The failure occurs when the unit is owned by the original purchaser.
4. Backyard Storage Solutions, LLC has received the warranty registration card within thirty (30) days of purchase and notification of the failure in writing within the warranty period specified above.
5. Backyard Storage Solutions, LLC has had reasonable opportunity during the sixty (60) days following receipt of notification to inspect and verify the failure prior to commencement of any repair work.

REQUIREMENTS

Storage Buildings

To validate your warranty, it is necessary to properly maintain your Backyard Storage Solutions, LLC unit; shingle the roof and paint or solid-colored stain the siding using quality, 100% acrylic latex exterior product with a minimum of two (2) coats within thirty (30) days of assembly; caulk above all doors and all horizontal and vertical trim boards; paint and seal all exposed edges, sides and faces of siding/trim and OSB siding to include all exterior walls and all sides and all edges of doors.

Gazebos & Pergolas

To validate your warranty, it is necessary to properly maintain your Backyard Storage Solutions, LLC unit. This includes treating all of the exposed cedar and pine surfaces on your gazebo or pergola structure with an exterior grade wood preservative, an exterior oil-based semi-transparent stain, an acrylic latex exterior paint or an acrylic latex solid color exterior stain within 30 days of assembly and as needed thereafter to maintain your warranty.

Keep vegetation trimmed away from building and make sure siding panels and trim do not come in contact with masonry or cement. The minimum ground clearance for siding must be one half inch ($\frac{1}{2}$ inch) from concrete slab or two and one half inches ($2\frac{1}{2}$ "") from the ground when building is erected or constructed on a treated wood floor kit. Water from sprinklers must be kept off unit. In no event will Backyard Storage Solutions, LLC be responsible for any indirect, incidental, consequential or special damages nor for failure(s) that are caused by events, acts or omissions beyond our control including, but not limited to, misuse or improper assembly, improper maintenance (which eventually leads to rot or decay) and acts of God. Backyard Storage Solutions, LLC will not be held responsible for any labor costs incurred to construct your unit.

This warranty gives you certain specific rights that vary from state to state.

CLAIM PROCEDURE

To make a claim under this warranty, you can either call 1-888-827-9056 or email: customerservice@backyardproducts.com.

Please have ready the information below when you call or include the information in your email:

1. The model and size of the product.
2. A list of the part(s) for which the claim is made.
3. Proof of purchase of the Backyard Storage Solutions, LLC item, as shown on the original invoice or receipt.
4. Run code: found on exterior product label or assembly instructions enclosed in the product package.

All other inquiries can be mailed to:

Backyard Storage Solutions, LLC
Attn: Customer Service
1000 Ternes
Monroe, MI 48162

***WARRANTY TERMS MAY VARY OUTSIDE THE U.S.A.
IMPORTANT: This is your warranty certificate.**

10Y MV LDR: 3/20/2019