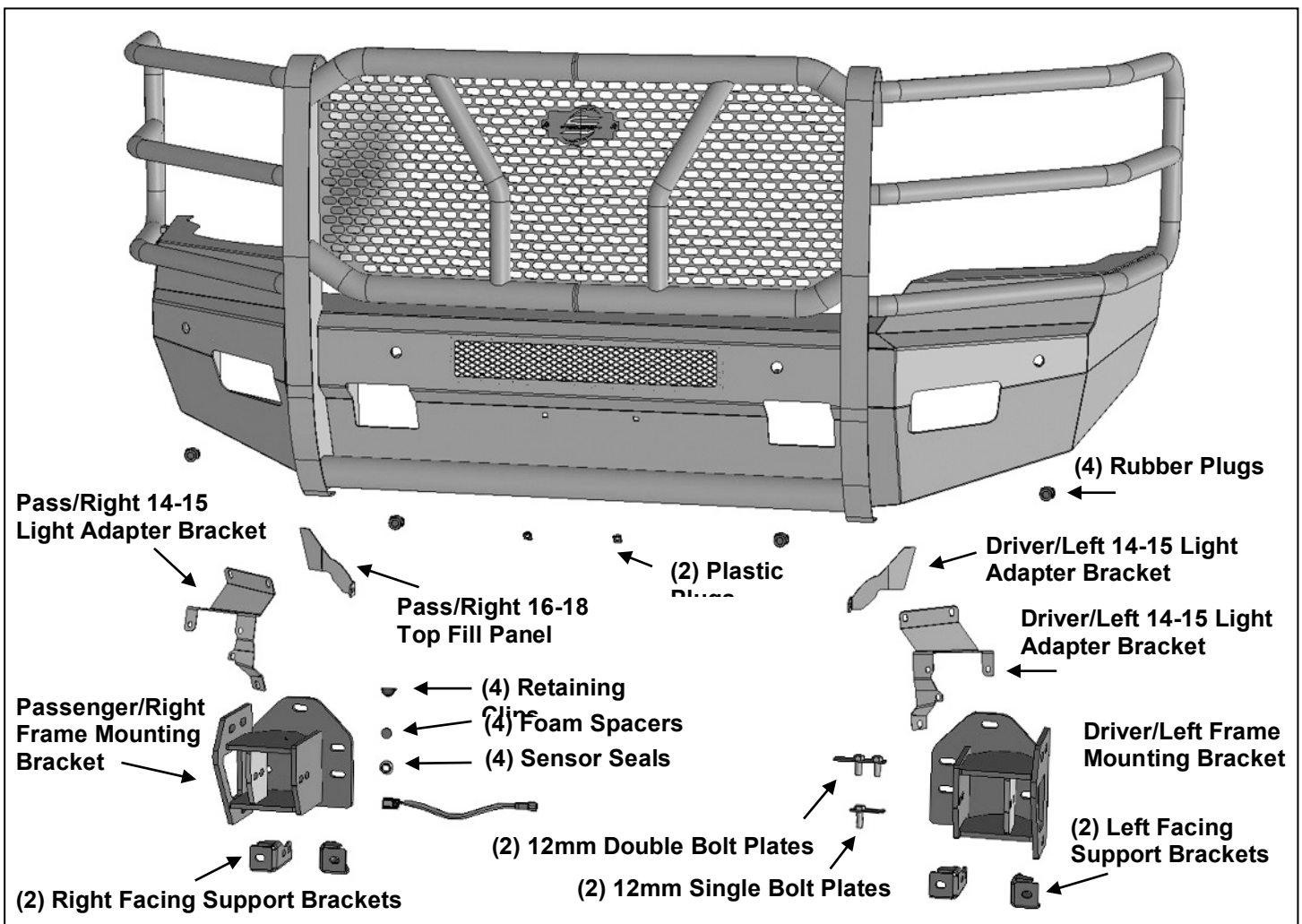


**ELEVATION FRONT BUMPER
2014-18 CHEVY SILVERADO 1500**

PARTS LIST:

1	Front Bumper Assembly	1	Sensor Covers Kit
1	Driver/left 2016-18 Top Fill Panels	2	12mm Single Bolt Plate
1	Passenger/right 2016-18 Top Fill Panels	2	12mm Double Bolt Plate
1	Driver/left Mounting Bracket	10	12-1.75mm x 50mm Hex Bolts
1	Passenger/right Mounting Bracket	26	12mm x 32mm OD x 3mm Flat Washers
2	Left Facing Support Brackets	16	12mm Nylon Lock Nuts
2	Right Facing Support Brackets	2	8-1.25mm x 30mm Hex Bolts
1	Driver/left 2014-15 Light Adapter Bracket	4	8mm x 22mm x 2mm Flat Washers
1	Passenger/right 2014-15 Light Adapter Bracket	2	8mm Nylon Lock Nuts
4	Retaining Rings	8	6-1.0mm x 30mm Hex Bolts
4	20mm x 2mm Foam Spacers	16	6mm x 18mm x 1.6mm Flat Washers
4	Sealing Washers	8	6mm Nylon Lock Nuts
2	Sensor Wire Harness Extensions	8	4mm x 10mm Socket Head Screws
4	Sensor Plugs	1	Wrench
2	Plastic Plugs for License Plate		



PROCEDURE:

REMOVE CONTENTS FROM BOX. VERIFY ALL PARTS ARE PRESENT. READ INSTRUCTIONS CAREFULLY BEFORE STARTING INSTALLATION. BUMPER IS HEAVY, ASSISTANCE IS HIGHLY RECOMMENDED TO AVOID POSSIBLE INJURY OR DAMAGE TO THE VEHICLE.

**ELEVATION FRONT BUMPER
2014-18 CHEVY SILVERADO 1500**

1. Remove the license plate and bracket. On models with factory fog lights and/or sensors, unplug the wiring harness leading to the bumper, **(Figure 1)**. Move all wiring harnesses away from bumper.
2. **On 2014-15 models only**, from behind the bumper, release the clips from the center and screws from the ends of the plastic body panel, (fascia), on top of the bumper between the bottom of the grille and the top of the bumper, **(Figure 2)**.
3. All model years, open the hood and remove the cover between the top of the radiator and the grille, **(Figure 2)**. Remove the bolts attaching the top and bottom of the grille to the cross member and remove the grille, **(Figures 3 & 4)**.
4. Remove the outer bumper supports from each side of the frame, **(Figure 5)**.
5. Place blocks or jack stands under the front bumper to support it during mounting bolt removal. Once the bumper has been safely supported, from above, remove the factory bumper bolts attaching the bumper to the inner bumper bracket bolted to the end of the frame, **(Figure 6)**. **WARNING!** Assistance is required to hold the bumper in place during bolt removal to prevent the bumper from falling. Slide the bumper assembly with brackets off of the frame.
6. Reinstall the grille and top cover removed in **Steps 2 & 3**. **NOTE:** Do not reinstall the fascia on 2014-25 models.
7. Remove both bumper brackets and tow hooks from the ends of the frame, **(Figures 7 & 8)**.
8. Select (1) Left Facing and (1) Right Facing Support Bracket, **(Figure 9)**. Starting on the driver/left side, attach (1) Right Facing Support Bracket to the inner facing side of the frame with (1) 12mm Double Bolt Plate, (2) 12mm Flat Washers and (2) 12mm Nylon Lock Nuts, **(Figures 9 & 10)**. Next, attach (1) Left Facing Support Bracket to the outer facing side of the frame with (1) 12mm Single Bolt Plate, (1) 12mm Flat Washer and (1) 12mm Nylon Lock Nut, **(Figures 9 & 11)**. Do not tighten hardware at this time.
9. Select the driver/left Frame Mounting Bracket, **(Figure 12)**. Reuse (3) factory bumper bolts to attach the top of the Frame Bracket to the bumper mount, **(Figures 12 & 13)**. Attach the (2) lower holes in the Frame Bracket to the Support Brackets with (2) 12mm x 50mm Hex Bolts, (4) 12mm Flat Washers and (2) 12mm Nylon Lock Nuts, **(Figures 12 & 13)**. Snug but do not fully tighten hardware at this time.
10. Repeat **Steps 8 & 9** to install the passenger side Brackets.
11. **Optional Center LED light installation** (sold separately). **NOTE:** It may be easier to install the center light (not included) on the Bumper before Bumper Assembly is attached to the vehicle.
 - a. Attach the light to the (2) tabs on the back of the Bumper. Adjust light and tighten hardware.
 - b. Follow light manufacturer's instructions to wire the light once Bumper has been fully installed.
12. Determine if vehicle is equipped with parking Sensors.

Models without bumper sensors:

 - a. Select the included (4) Rubber Plugs.
 - b. From behind bumper, push plugs into sensor mounting holes, **(Figure 14)**. Secure the Plugs to the mounts with the included 4mm x 10mm Button Head Screws.

Models with bumper mounted sensors:

 - a. Unplug and remove sensors and wiring harness from factory bumper.
 - b. Remove the factory sealing washer from the sensor. Attach the provided Sealing Washer onto the front of the sensor, **(Figure 15)**.
 - c. Push the sensor in from the back of the Bumper until it is flush with the sensor sleeve. **NOTE:** Sensor tabs may need to be trimmed to fit sensor inside the sensor sleeve. Attach the adhesive side of (1) Foam Spacer to (1) Retaining Clip. Push the Retaining Clip into the sensor sleeve to secure the sensor in place, **(Figure 16)**.
 - d. Repeat the previous steps for the remaining sensors.
 - e. Install wiring harness for sensors. **IMPORTANT:** (2) Harness Extensions have been included to extend the ends of the factory harness to the sensors. Use as necessary.
13. **2016-18 Models Only:**
 - a. Select the driver/left Top Fill Panel. Attach the tab on the Fill Panel to the top hole in the mounting plate on the back of the Bumper with (1) 8mm x 30mm Hex Bolt, (2) 8mm Flat Washers and (1) 8mm Nylon Lock Nut, **(Figure 17)**. Repeat this Step to attach the passenger/right Top Fill Panel.
14. With assistance, position the Bumper Assembly up to and over the Brackets. Temporarily support the weight of the Bumper. **WARNING:** To avoid possible injury or damage to the vehicle, do not proceed until the Bumper is fully and safely supported.

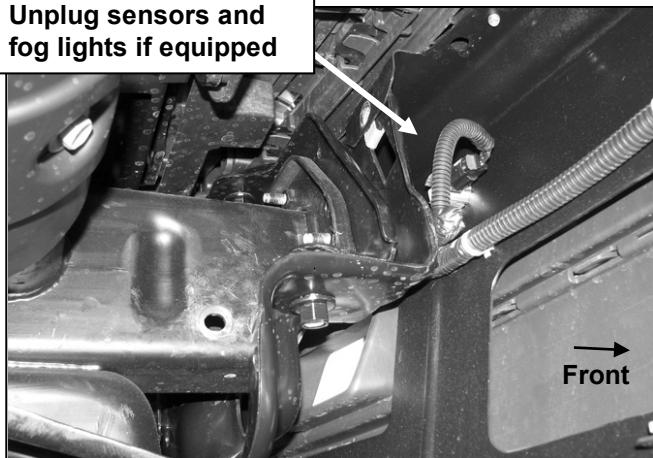
**ELEVATION FRONT BUMPER
2014-18 CHEVY SILVERADO 1500**

15. Line up the (3) holes in the driver side mounting plate on the inside of the Bumper with the (3) slots in the Frame Bracket. Attach the Bumper to the Bracket with the included (3) 12mm x 50mm Hex Bolts, (6) 12mm Flat Washers and (3) 12mm Nylon Lock Nuts, **(Figures 18 & 19)**. Do not fully tighten hardware. Repeat this **Step** to attach the passenger side of the Bumper to the Frame Bracket.
16. Level and adjust the bumper and fully tighten all 12mm hardware to 65-70ft-lbs.
17. Reuse the factory hardware to attach tow hooks to the inside of Frame Brackets, **(Figures 15 & 16)**.
18. **Models with fog lights:**
 - 2014-15 Models**
 - a. Select the driver/left Light Adapter Bracket.
 - b. Slide the tabs on the driver/left fog light into the Bracket. Push the attaching posts into the mounting holes in the Bracket, **(Figure 20)**.
 - c. Attach Bracket with light to the mounting tabs on the back of the Bumper with (3) 6mm x 30mm Hex Bolts, (6) 6mm Flat Washers and (3) 6mm Nylon Lock Nuts, **(Figures 20 & 21)**.
 - d. Repeat this **Step** to install passenger/right light assembly.
 - e. Reattach the factory wiring harness to both lights.
 - 2016-17 Models**
 - a. Attach the light assembly with plastic housing to the mounting tabs on the back of the bumper with (4) 6mm x 30mm Hex Bolts, (8) 6mm Flat Washers and (4) 6mm Nylon Lock Nuts. **NOTE:** Light assembly will rotate 90-degrees to install horizontal to Brackets.
19. Reattach the factory wiring harness to both lights and sensors if equipped.
20. Use the included (2) push-in Plastic Nuts to attach the front license plate, (if required), to the (2) holes in the front of the Bumper, **(Figure 22)**.
21. Do periodic inspections to the installation to make sure that all hardware is secure and tight.

To protect your investment, Do not use any type of polish or wax that may contain abrasives that could damage the finish. Mild soap may be used to clean the Front Bumper assembly.

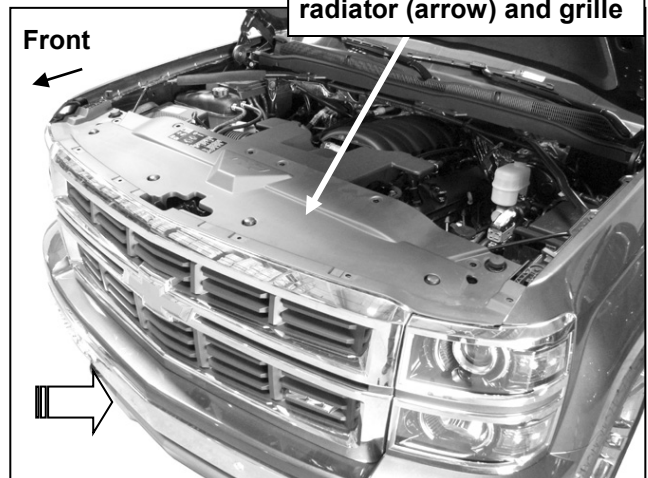
Driver/left Side Installation Pictured

Unplug sensors and fog lights if equipped



(Fig 1) Unplug sensors, fog lights and move wiring harness away from bumper before removal

Remove cover from top of radiator (arrow) and grille



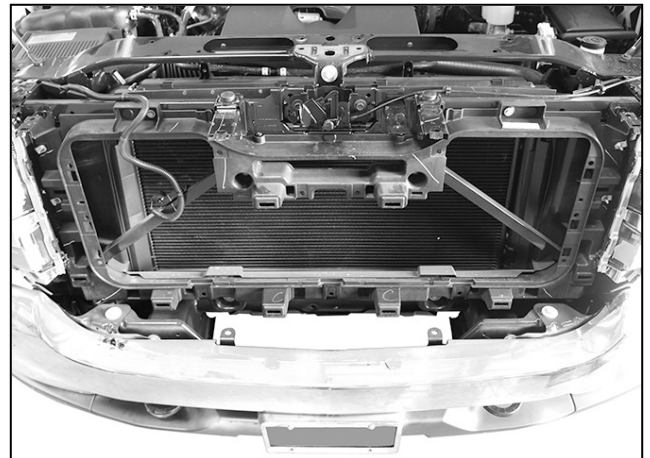
(Fig 2) 2014-15 models, from behind bumper, release clips and hardware attaching plastic fascia panel (arrow) to top of bumper and fender. Remove fascia panel to access bumper hardware from above.

**ELEVATION FRONT BUMPER
2014-18 CHEVY SILVERADO 1500**

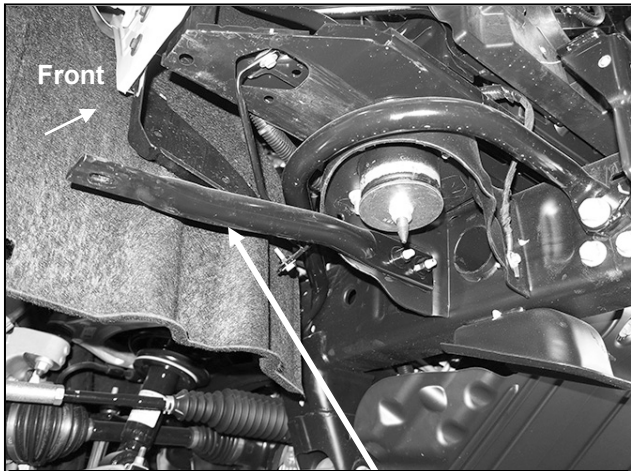
Driver/left Side Installation Pictured



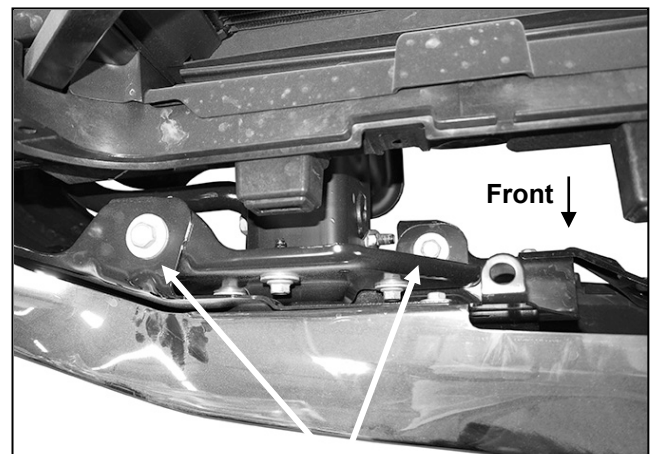
(Fig 3) Firmly pull grille straight out from vehicle



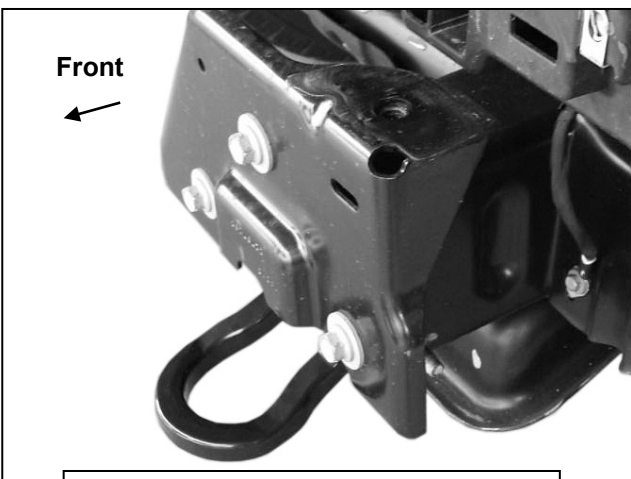
(Fig 4) Grille removed to access bumper bolts



(Fig 5) Remove outer bumper support brackets



(Fig 6) Remove bumper bolts attaching bumper to brackets- passenger side pictured from above

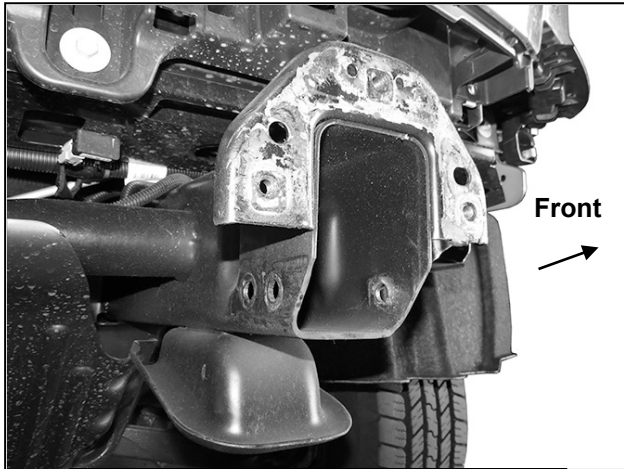


(Fig 7) Remove complete bumper, inner bumper bracket and tow hooks

WARNING! Do not crawl under bumper unless the bumper is properly supported on blocks or stands or the bumper may fall.

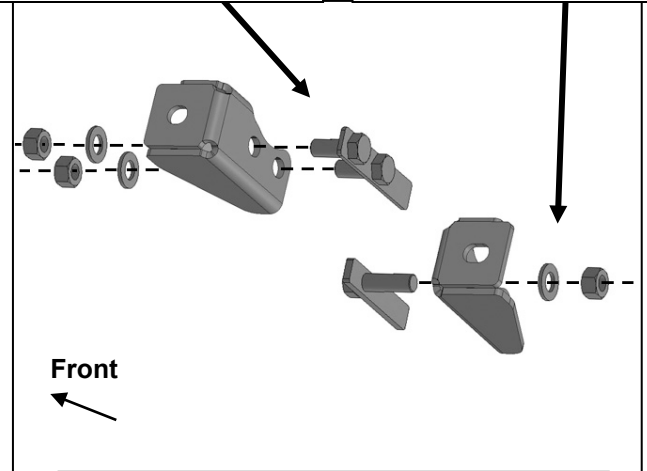
ELEVATION FRONT BUMPER
2014-18 CHEVY SILVERADO 1500

Driver/left Side Installation Pictured



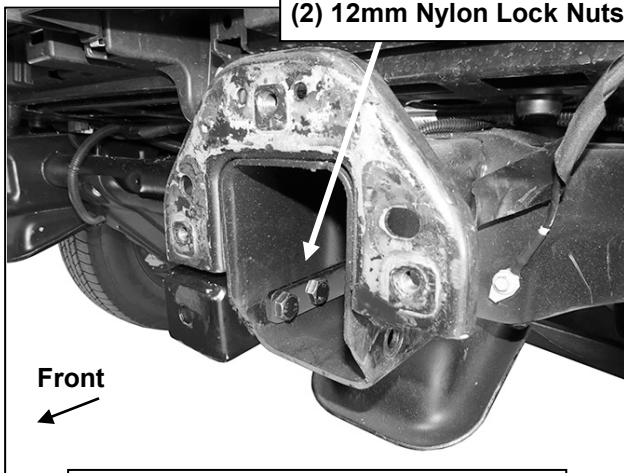
(Fig 8) Remove complete bumper, inner bumper bracket and tow hooks

- | | |
|---|---|
| 12mm Double Bolt Plate
(2) 12mm Flat Washers
(2) 12mm Nylon Lock Nuts | 12mm Single Bolt Plate
12mm Flat Washer
12mm Nylon Lock Nut |
|---|---|



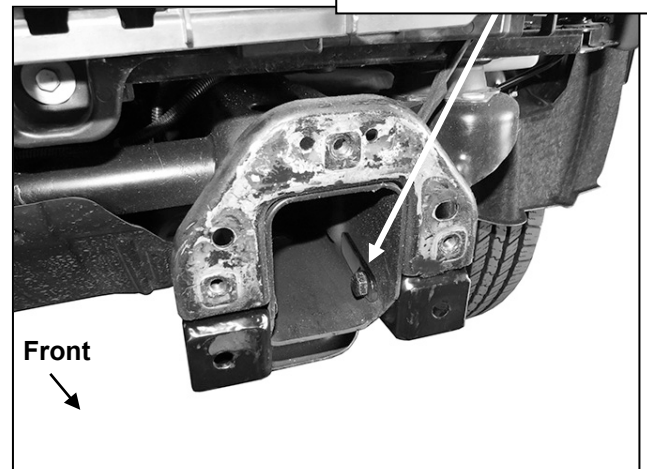
(Fig 9) Attach Support Brackets to frame

- 12mm Double Bolt Plate
(2) 12mm Flat Washers
(2) 12mm Nylon Lock Nuts



(Fig 10) Attach inner Support Bracket to side of frame. Driver side pictured

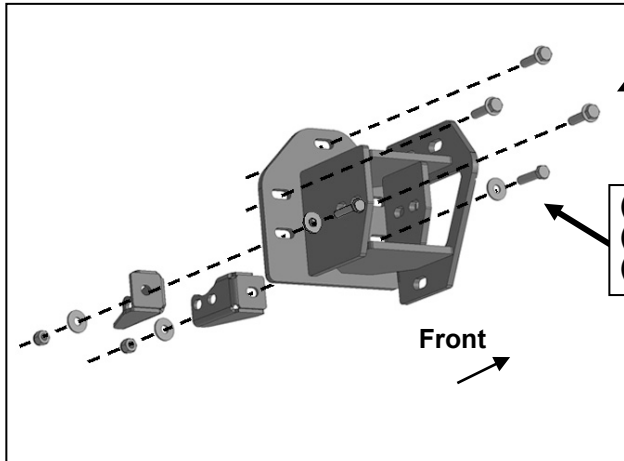
- 12mm Single Bolt Plate
12mm Flat Washer
12mm Nylon Lock Nut



(Fig 11) Attach outer Support Bracket to side of frame to frame. Driver side pictured

WARNING! Do not crawl under bumper unless the bumper is properly supported on blocks or stands or the bumper may fall.

Driver/left Side Installation Pictured

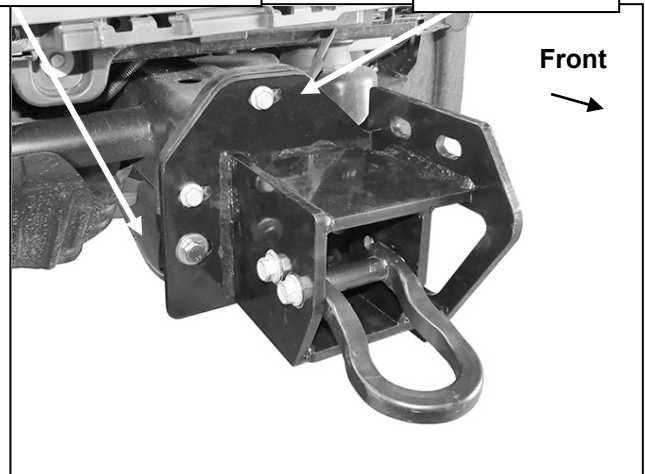


Reuse Factory bumper bolts

(2) 12mm x 50mm Hex Bolts
(4) 12mm Flat Washers
(2) 12mm Nylon Lock Nuts

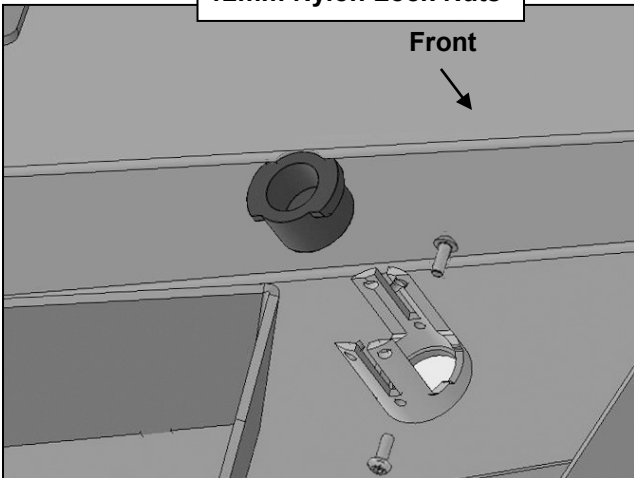
Reuse Factory bumper bolts

(Fig 12) Reuse factory bumper bolts to attach top of Frame Bracket to bumper mount on frame

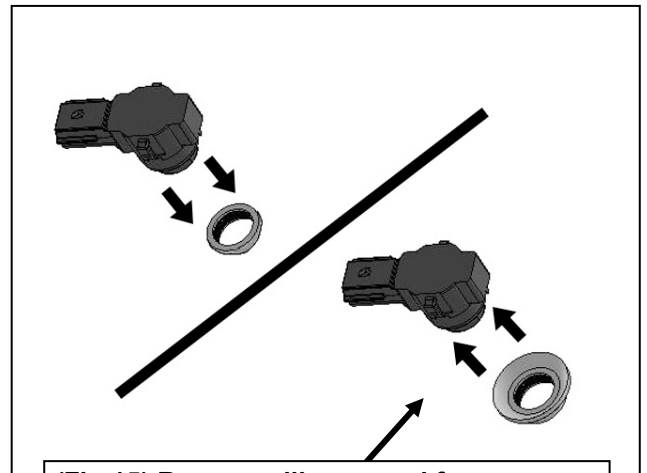


(Fig 13) Complete installation of Frame Bracket. Brackets pictured with tow hook for instruction purposes only. Install tow hooks after bumper has been installed and adjusted

12mm x 50mm Hex Bolt
(2) 12mm Flat Washers
12mm Nylon Lock Nuts



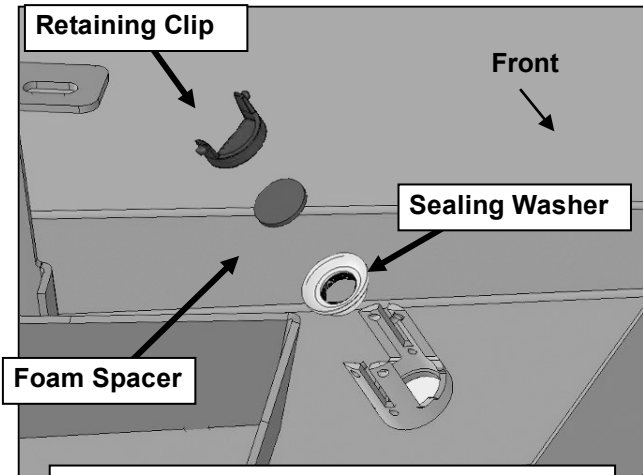
(Fig 14) Push Plug into mounting sleeve. Use 4mm Screws to lock Plug in place.



(Fig 15) Remove silicone seal from sensor. Slide large Seal over end of sensor (arrow)

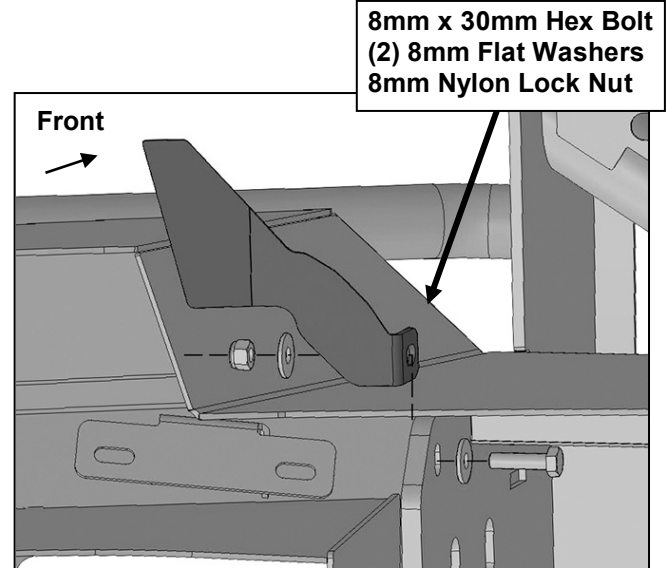
**ELEVATION FRONT BUMPER
2014-18 CHEVY SILVERADO 1500**

Driver/left Side Installation Pictured

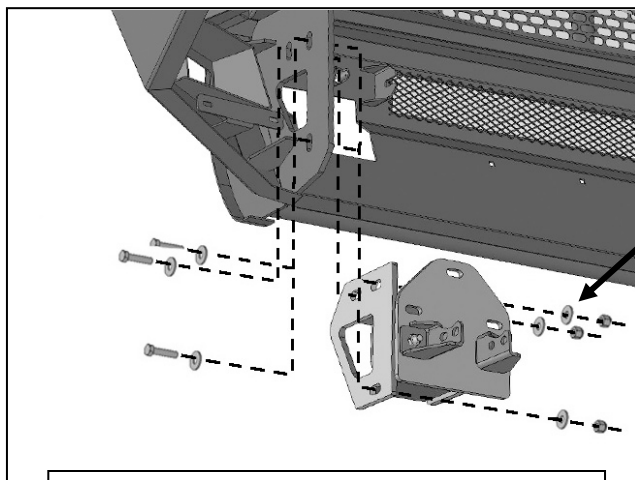


(Fig 16) Insert sensor assembly through the sensor sleeve behind the Bumper

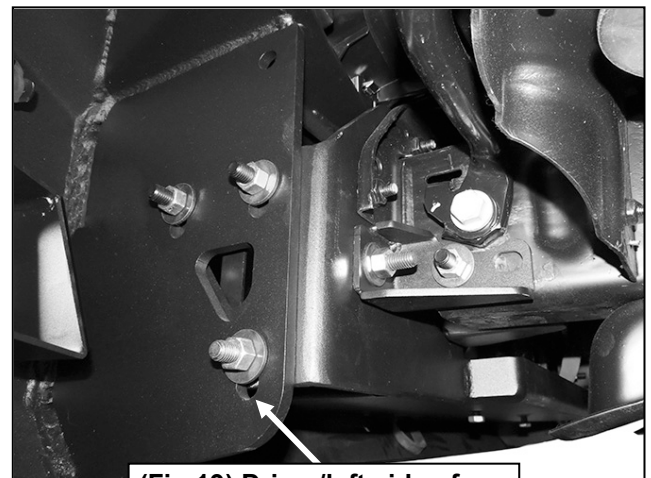
WARNING! Do not crawl under bumper unless the bumper is properly supported on blocks or stands or the bumper may fall.



(Fig 17) 2016-18 models only, attach Fill Panels to top of Bumper (driver/left side illustrated from behind Bumper)



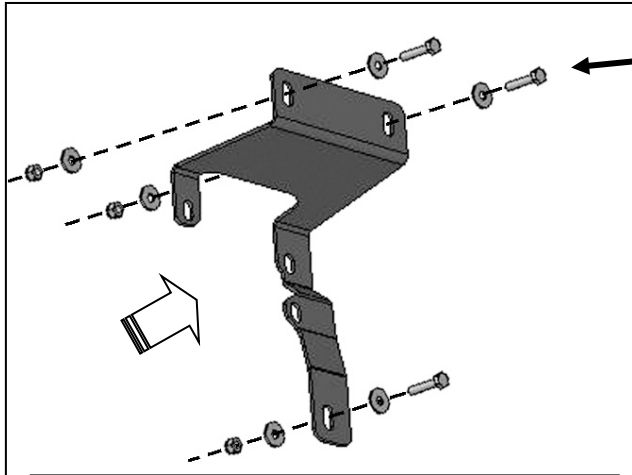
(Fig 18) Attach Bumper to Frame Brackets



(Fig 19) Driver/left side of Bumper attached to Bracket

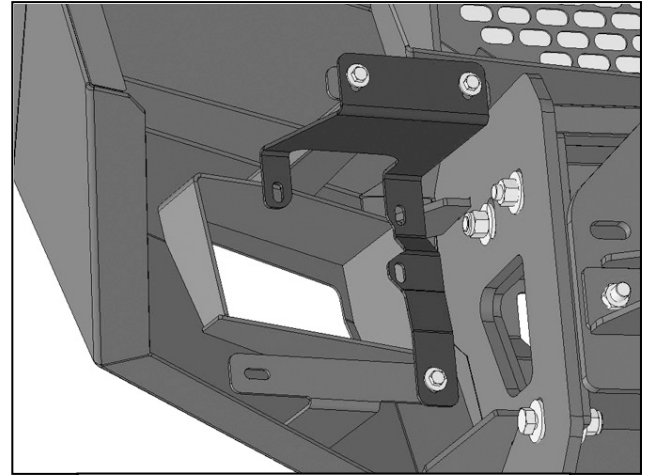
**ELEVATION FRONT BUMPER
2014-18 CHEVY SILVERADO 1500**

Driver/left Side Installation Pictured



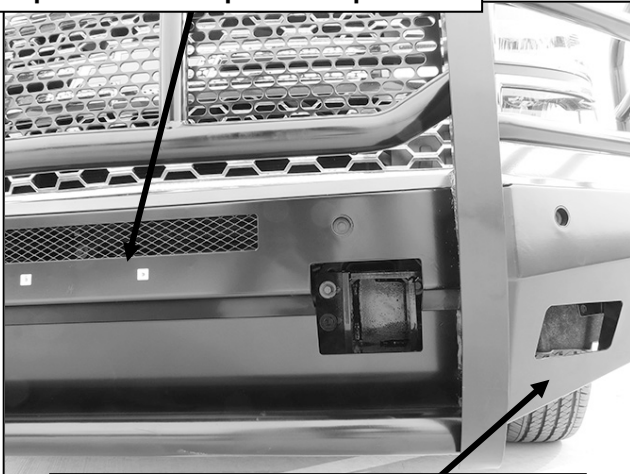
- (3) 6mm x 30mm Hex Bolts
- (6) 6mm Flat Washers
- (3) 6mm Nylon Lock Nuts

(Fig 20) 2014-15 models only: Snap fog light into Adapter Bracket. Attach Bracket to tabs on back of Bumper. Bracket is not required for 2016-17 fog light assembly installation. Driver/left Bracket illustrated.



(Fig 21) 2014-15 models only: Attach Bracket to tabs on back of Bumper. Driver/left Bracket illustrated.

Push plastic plugs into holes in Bumper for license plate if required



(Fig 22) Push factory fog light into mounting tabs (driver/left side pictured)

