

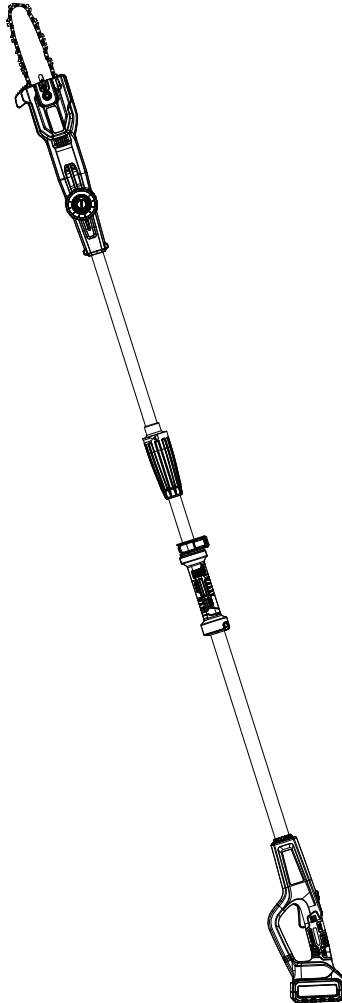


20V MAX LITHIUM ION CORDLESS POLE SAW

Operator's manual

Model: CSPX2-M

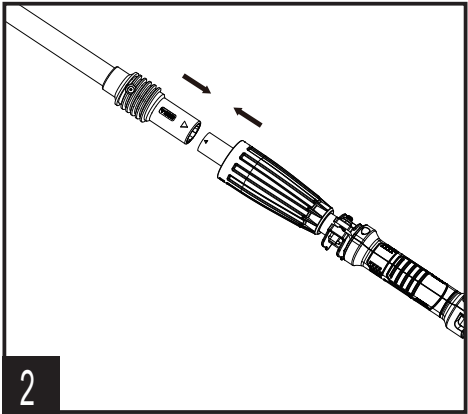
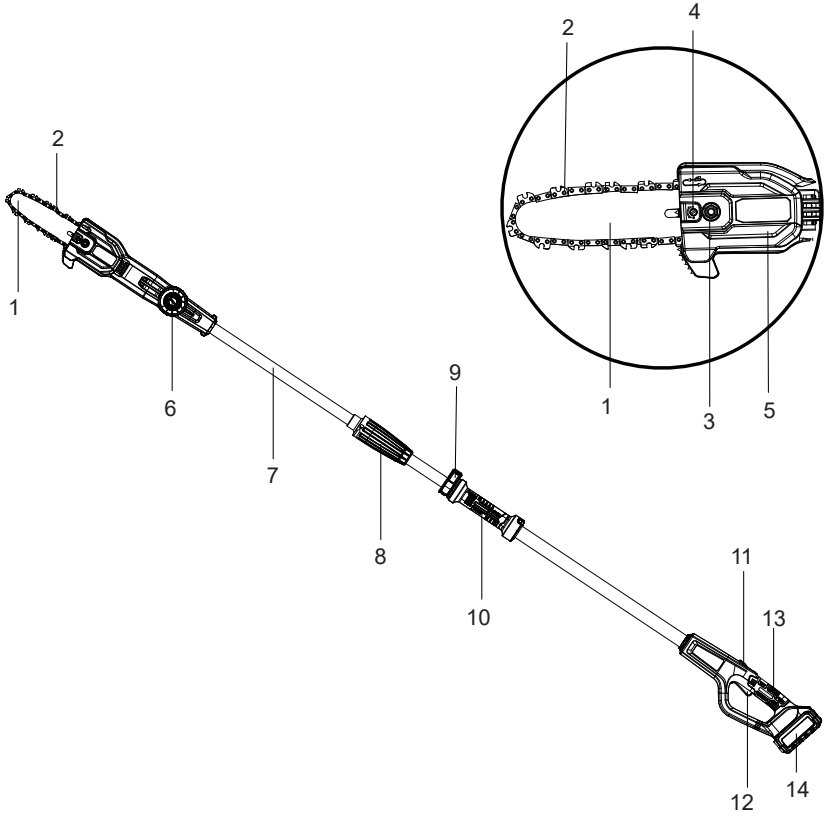
CSPX2-M-0



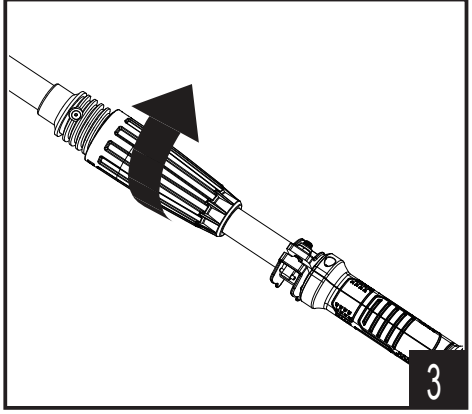
For customer support, please call 1-800-261-3981 or send email to:
Service@senixtools.com
SAVE THIS MANUAL FOR FUTURE REFERENCE.

ORIGINAL INSTRUCTIONS

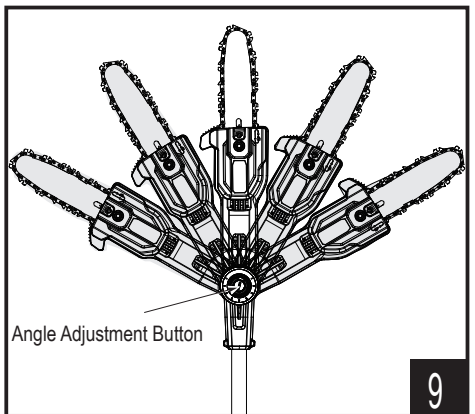
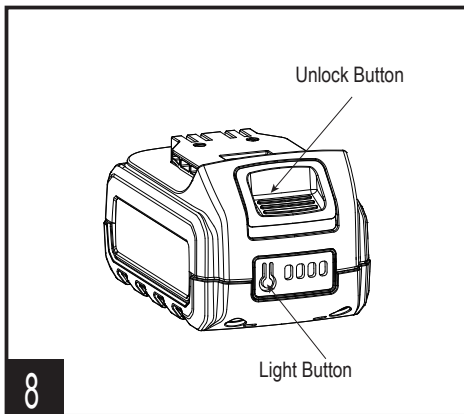
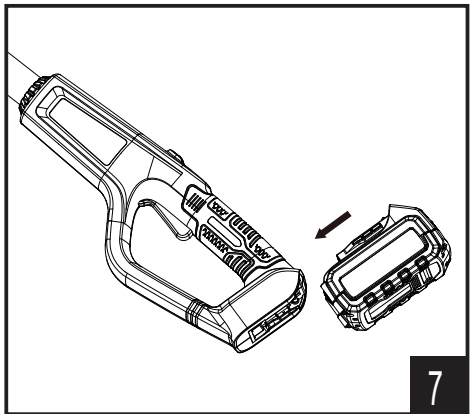
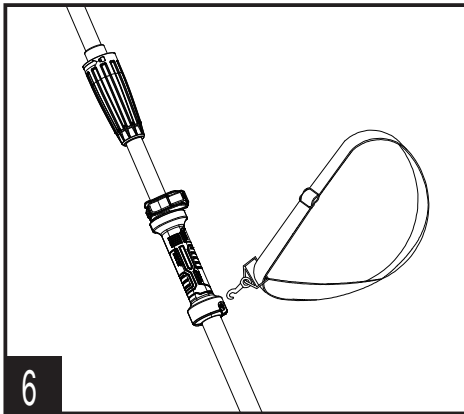
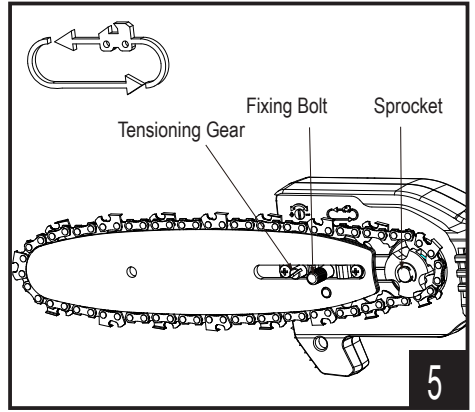
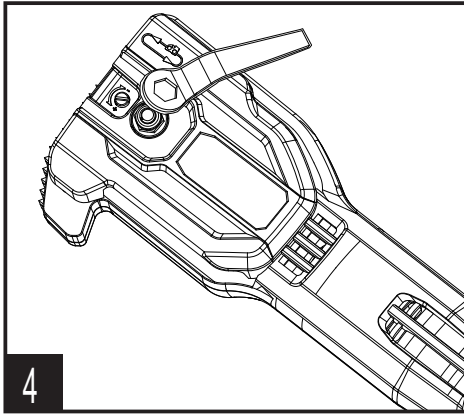
1

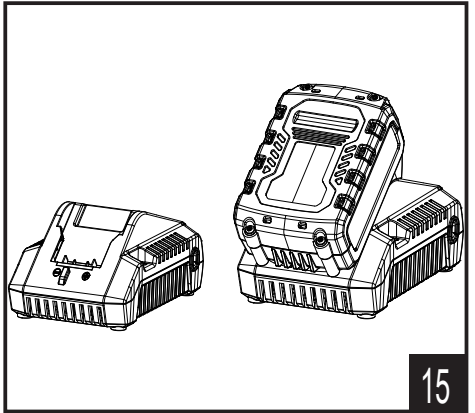
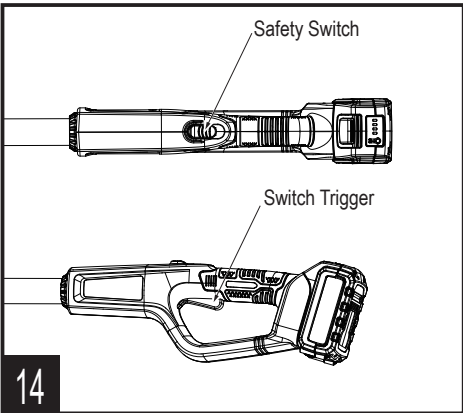
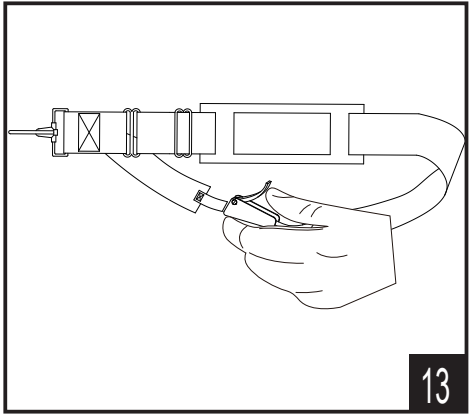
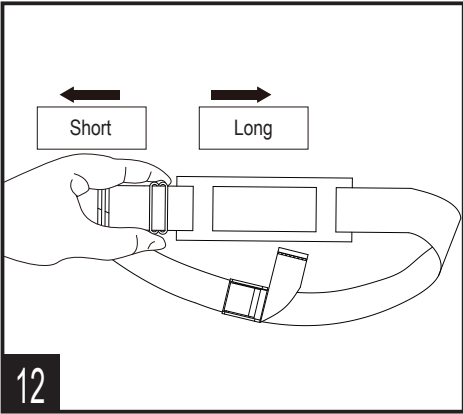
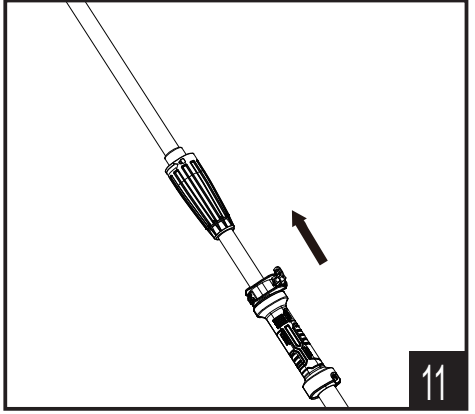
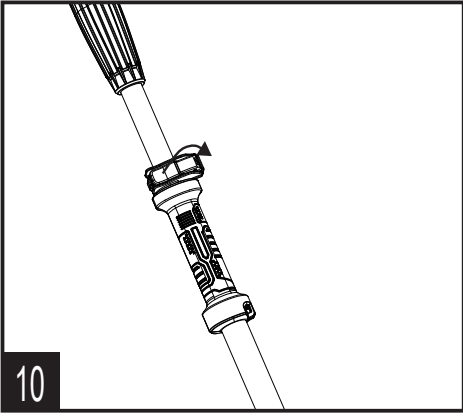


2



3





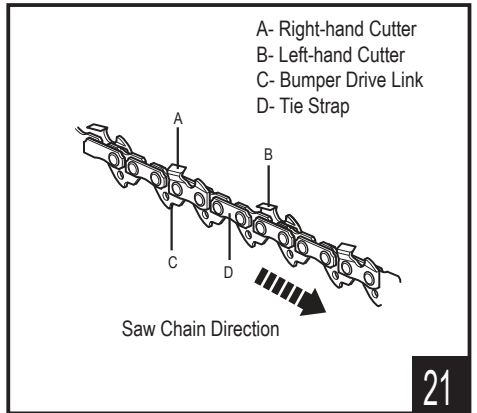
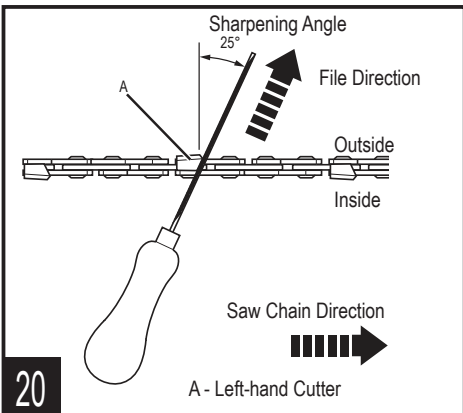
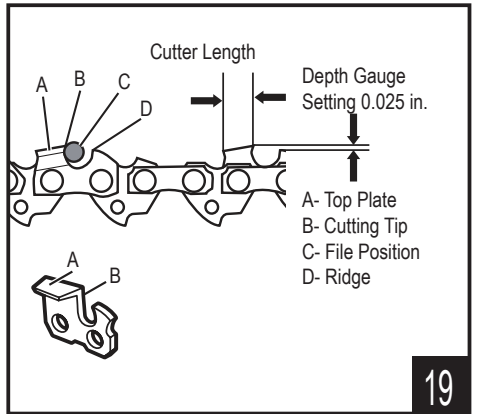
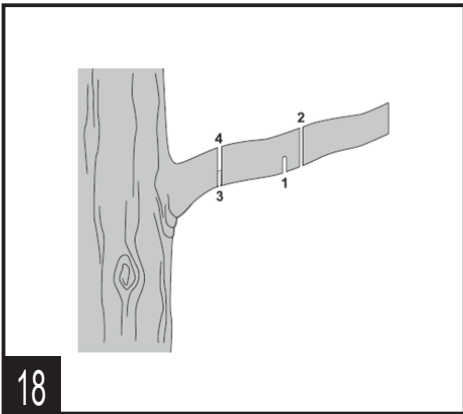
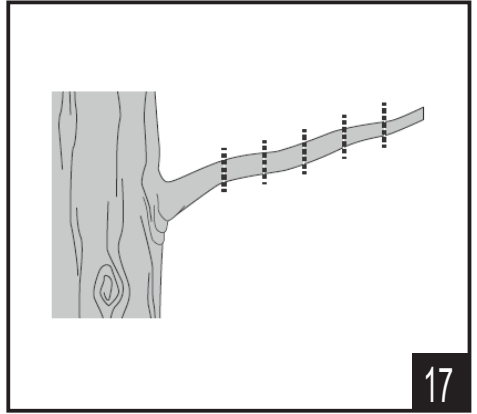
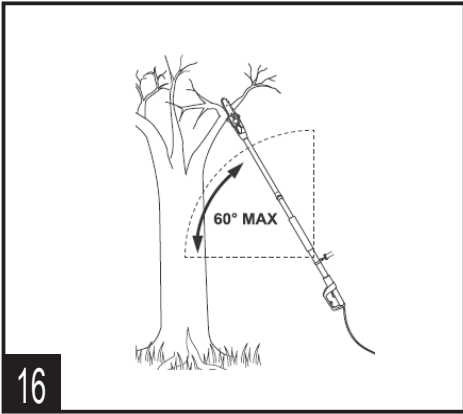


TABLE OF CONTENTS

SAFETY & INTERNATIONAL SYMBOLS	6
SAFETY INSTRUCTIONS.....	7
KNOW YOUR UNIT.....	15
SPECIFICATIONS*.....	15
ASSEMBLY.....	16
OPERATION.....	17
MAINTENANCE.....	20
TROUBLESHOOTING.....	22
PARTS.....	23
WARRANTY.....	24

SAFETY & INTERNATIONAL SYMBOLS

Explanation of safety & international symbols describes safety and international symbols and pictographs that may appear on this product. Read the operator's manual for complete safety, assembly, operating and maintenance and repair information.



Caution / Warning.



To reduce the risk of injury, user must read instruction manual.



Wear tight-fitting protective clothes.



Wear protective gloves.



Wear Sturdy, non-slip footwear.



Always wear eye protection, ear protection and head protection meeting ANSI Z87.1 standards.



DANGER – Keep hands away from blade.



DANGER!

Risk of electrocution!



Indoor use only. Only use battery charger indoors.



Tip contact can cause the guide bar to move suddenly upward and backward, which can cause serious injury.



Keep bystanders a safe distance away from the work area.



Do not use in rain or wet conditions.



Do not dispose of battery packs in rivers or immerse in water.



Do not dispose of battery packs in fire. They will explode and cause injury.



Use and store the battery within a temperature below 122°F (50°C).



Do not disassemble, crush, heat above 212°F (100°C) ; Never expose the battery to microwaves or high pressures.

SAFETY INSTRUCTIONS

All Operators Must Read These Instructions Before Use.

Always follow these safety guidelines. Failure to do so may result in serious bodily injury or death.

DANGER!

This indicates a hazardous situation, which, if not followed, could cause serious injury or death.

WARNING!

This indicates a hazardous situation, which, if not followed, could result in serious injury or death.

CAUTION!

This indicates a hazardous situation, which, if not followed, could result in minor or moderate injury.

GENERAL POWER TOOL SAFETY WARNINGS

WARNING!

When using cordless yard tools, basic safety precautions should always be followed to reduce the risk of fire, electric shock and personal injury, including the following:

1. Keep guards in place – Protective guards should be checked periodically to ensure they are properly fitted and in correct working order.
2. Keep work area clean and well-lit – Clear work area of branches and limbs after each cutting session. Cluttered areas invite accidents.
3. Do not use in dangerous environments – Do not use power tools in damp or wet locations.
4. Do not use the pole chain saw in the rain.
5. Keep bystanders and children away – All bystanders, including children and pets, should be kept a safe distance away from the work area.
6. Do not force the tool – It will do the job effectively and safely if it is used at the rate for which it was designed.
7. Use the right tool – Do not force the tool or any attachment on the tool to do a job for which they were not designed.
8. Wear proper apparel – Do not wear loose articles of clothing or jewelry since such items may get caught

in moving parts. Use of heavy-duty rubber gloves, substantial non-skid footwear and close-fitting clothing is recommended when working outdoors with power tools.

9. Wear protective hair coverings to contain long hair.
10. Always wear safety glasses and ear defenders to provide eye and ear protection – Everyday eyeglasses only have impact resistant lenses and do not provide the same protection as safety glasses.
11. Wear face or dust masks – If the cutting operation is dusty, the use of a face or dust mask specially designed to filter out microscopic particles is recommended.
12. Use recommended accessories – Consult the owner's manual for recommended accessories. The use of improper accessories may cause risk of injury.
13. Check for damaged parts – Before each use, repair or replace any guard or part that is damaged. In

addition, check for alignment of moving parts, binding of moving parts, breakage of parts and any other conditions that may affect the tool's operation.

14. Never leave tool unattended while it is running – Turn the power OFF by removing the battery from the unit. Do not leave the saw until the cutting bar comes to a complete stop.
15. Do not grasp the exposed cutting blade or cutting edges when picking up or holding the saw – Be sure to encase the cutting bar in its protective sheath when not in use.
16. Disconnect tool – Turn off the power switch and remove the battery when it is not in use, before servicing, when transporting or when changing the chain or other accessories.
17. Stay alert – Watch what you are doing. Use common sense. Do not operate the pole chain saw when you are tired.
18. Store idle tool indoors – When not in use, appliances

should be stored indoors in a dry and high or locked-up place out of the reach of children.

WARNINGS FOR ALL BATTERY-OPERATED APPLIANCES

1. Prevent unintentional starting. Ensure the power switch is in the off-position before connecting to battery pack, picking up or carrying the appliance. Carrying the appliance with your finger on the power switch or energizing the appliance that has the power switch on invites accidents.
2. Make sure the power switch is off and the battery pack is removed before clearing jammed material, making adjustments, changing accessories, storing or servicing the appliance. Unexpected actuation of the appliance while clearing jammed material or servicing may result in serious personal injury.
3. Recharge only with the charger specified by the manufacturer. A charger that is suitable for one type of battery pack may create a risk of fire when used with another battery pack.
4. Use appliances only with specifically designated battery packs. Use of any other battery packs may create a risk of injury and fire.
5. When battery pack is not in use, keep it away from other metal objects, like paper clips, coins, keys, nails, screws or other small metal objects, that can make a connection from one terminal to another. Shorting the battery terminals together may cause burns or a fire.
6. Under abusive conditions, liquid may be ejected from the battery; avoid contact. If contact accidentally occurs, flush with water. If liquid contacts eyes, additionally seek medical help. Liquid ejected from the battery may cause irritation or burns. (This advice is considered correct for conventional NiMh, NiCd, lead acid and lithium-ion cell types. If this advice is incorrect for a cell design that differs

- from these, then the correct advice may be substituted.)
7. Do not use a battery pack or appliance that is damaged or modified. Damaged or modified batteries may exhibit unpredictable behavior resulting in fire, explosion or risk of injury.
 8. Do not expose a battery pack or appliance to fire or excessive temperature. Exposure to fire or temperature above 130°C may cause explosion. The temperature of 130°C can be replaced by the temperature of 265°F.
 9. Follow all charging instructions and do not charge the battery pack or appliance outside of the temperature range specified in the instructions. Charging improperly or at temperatures outside of the specified range may damage the battery and increase the risk of fire.
 10. Have servicing performed by a qualified repair person using only identical replacement parts. This will ensure that the safety of the

product is maintained.

11. Do not modify or attempt to repair the appliance or the battery pack (as applicable) except as indicated in the instructions for use and care.

POLE SAW SAFETY WARNING

WARNING!

Read all safety warnings and all instructions. Failure to follow the warnings and instructions may result in electric shock, fire and/or serious injury.

Save all warnings and instructions for future reference.

The term “power tool” in the warnings refers to your battery-operated (cordless) power tool.

1. Familiarize yourself with the operation of the pole chain saw and learn to use it properly.
2. Never permit others (especially children) who have not read the manual to use the machine.
3. Never remove the labels or security elements.
4. Check the oil level before each use of the pole chain saw. Never use the pole chain saw without oil in the tank or when the amount of

- oil is low.
5. Make sure that the handles are clean and dry. When the pole chain saw is running, always firmly grip the front handle with your left hand and the rear handle with your right hand.
 6. Do not operate the pole chain saw in an environment with flammable materials such as liquids, gases or dust. The sparks generated by the operation of the machine can cause an explosion.
 7. Never stand directly under the limb you are trimming. Always position yourself outside the path of falling debris.
 8. Always start sawing with the moving chain running.
 9. Do not saw with the tip of the saw guide bar.
 10. To protect yourself from electrocution, do not operate the pole chain saw within 50 ft (15 m) of overhead wires. Failure to follow this instruction could result in severe personal injury.
 11. The use of power equipment can be regulated. Remember to comply with

legal regulations which may differ from one location to another.

KICKBACK

AVOID CONTACTING THE GUIDE BAR TIP WITH ANY OBJECT.

In some cases, when the tip makes contact with an object, it may cause a fast reverse reaction, kicking the guide bar up and back towards the operator. Pinching the saw chain along the top of the guide bar may also push the guide bar rapidly back towards the operator. Either of these reactions may cause you to lose control of the cordless pole chain saw, which could result in serious personal injury.

- Kickback safety devices on this cordless pole chain saw include a skip chain and a low kickback guide bar. These will reduce, but not entirely prevent, kickbacks. Follow the necessary precautions indicated in this operator's manual to avoid kickbacks.
- Always use two hands when operating the pole chain saw, one hand gripping the trigger and the other hand gripping the pole. Use a firm

- grip. Thumbs and fingers must wrap around the trigger and the pole.
- Keep all guards in place on the pole chain saw. Make sure they are in proper working order.
 - Do not overreach or extend arms above shoulder height.
 - Keep solid footing and balance at all times.
 - Never try cutting through two branches at the same time. Only cut one at a time.
 - Do not bury the guide bar nose or try to cut by boring the guide bar nose into the wood.
 - Watch for shifting of wood or other forces that may pinch the chain.
 - Use extreme caution when re-entering a previous cut.
 - Use the low-kickback chain and guide bar supplied with this pole chain saw. Only use genuine replacement parts designed specifically for use with this pole chain saw.
 - Never use a dull or loose chain. Keep the chain sharp with proper tension.

BATTERY PACK SAFETY WARNINGS

- Ensure the switch is in the off position before inserting battery pack. Inserting the battery pack into machines that have the switch on can cause accidents.
- Use only original battery packs intended specifically for this machine. Use of any other battery packs may create a risk of injury and fire.
- Do not open the battery. Danger of short-circuiting.
- Protect the battery against heat (e.g., against continuous intense sunlight and fire) water and moisture. Danger of explosion.
- In case of damage and improper use of the battery, vapours may be emitted. Ventilate the area and seek medical help in case of complaints. The vapours can irritate the respiratory system.
- Use the battery pack only in conjunction with this product and/or product family. This measure alone protects the battery against dangerous overload.
- The battery can be damaged

by pointed objects such as nails or screwdrivers or by force applied externally. An internal short circuit can occur and the battery can burn, smoke, explode or overheat.

- Do not short-circuit the battery. There is danger of explosion.
- Store and use the battery only within a temperature range between -4°F(-20°C) to 77°F(25°C). As an example, do not leave the battery in the car in summer.
- Occasionally clean the venting slots and contact pins of the battery pack using a soft, clean and dry brush.

BATTERY CHARGER SAFETY WARNINGS

Read all safety warnings and instructions before using the charger. Only for indoor use!

- This appliance is not intended for use by children and persons with physical, sensory or mental limitations or a lack of experience or knowledge. This appliance can be used by children

aged from 8 years and above and persons with reduced physical, sensory or mental capabilities or lack of experience and knowledge if they have been given supervision or instruction concerning use of the appliance in a safe way and understand the hazards involved. Children shall not play with the appliance. Cleaning and user maintenance shall not be made by children without supervision.

- The supply cord cannot be replaced. If the cord is damaged the appliance should be scrapped.
- Only charge the Lithium-Ion battery pack as mentioned in this instruction manual. Do not charge non-rechargeable batteries.
- The battery and charger must be placed in a well ventilated area.
- If the supply cord is damaged, it must be replaced by the manufacturer, its service agent or similarly qualified persons in order to avoid a

hazard.

- Do not operate the battery charger on easily inflammable surfaces (e. g., paper, textiles, etc.) or surroundings. The heating of the battery charger during the charging process can pose a fire hazard.
- Do not cover the ventilation slots of the battery charger. Otherwise, the battery charger can overheat and no longer operate properly.

before you operate it again.

EMERGENCY

Familiarize yourself with the use of this product by means of this instruction manual. Memorize the safety directions and follow them to the letter. This will help to prevent risks and hazards.

- Always be alert when using this product, so that you can recognize and handle risks early. Fast intervention can prevent serious injury and damage to property.
- Switch off the product and remove the battery pack if there are malfunctions. Have the product checked by a qualified professional and repaired, if necessary,

KNOW YOUR UNIT

APPLICATIONS

Model: CSPX2-M

As a pole saw:

Cutting limbs with a thickness of max. 6.4in.

1	Guide Bar
2	Saw Chain
3	Sprocket Cover Nut
4	Tensioning Gear
5	Sprocket Cover
6	Angle Adjustment Button
7	Pole
8	Connecting Sleeve
9	Telescoping Lock Clip
10	Front Handle
11	Safety Switch
12	Switch Trigger
13	Rear Handle
14	Battery Pack



NOTE:

CSPX2-M-0 does not include the charger and the battery pack.

SPECIFICATIONS*

Model	CSPX2-M	
Input voltage	18V d.c.	
No-load speed	3480rpm	
Oil tank capacity	2.05oz	
Chain speed	5.2m/s	
Guide bar length	8in	
Max collapsing Length	8ft	
Max cutting length	7in	
Weight (without battery)	6.6lbs	
Battery pack model for option	B25X2	B50X2
Rated voltage	18V	18V
Rated capacity	2.5Ah	5.0Ah
Weight	0.74lbs	1.43lbs
Charger model	CHX2	
Rated input	100-240V ~ 50/60Hz	
Rated output	21V, 2000mA	
Charging time (with 2.5 Ah battery)	85mins	
Charging time (with 5.0 Ah battery)	130mins	
Protection class (for charger)		
Weight	0.75lbs	

Model	CSPX2-M-0
Input voltage	18V d.c.
No-load speed	3480rpm
Oil tank capacity	2.05oz
Chain speed	5.2m/s
Guide bar length	8in
Max collapsing Length	8ft
Max cutting length	7in
Weight (without battery)	6.6lbs
Battery pack model	Not included
Charger model	Not included

ASSEMBLY

1. Unpack all parts and lay them on a flat, stable surface:
2. Remove all packing materials and shipping devices, if applicable.
3. The scope of delivery varies depending on the country and purchased variant:
Model of CSPX2-M-0
 - Pole saw x1
 - Instruction manual x1
 - Guide bar x1
 - Guide bar cover x1
 - Saw chain x1
 - Wrench x1
 - Harness x1
4. If you find that parts are missing or show damage do not use the product but contact your dealer. Using an incomplete or damaged product represents a hazard to people and property.
5. Ensure that you have all the accessories and tools needed for assembly and operation. This also includes suitable personal protective equipment.



NOTE:

CSPX2-M includes the charger and the battery pack.
CSPX2-M-0 does not include the charger and the battery pack.



WARNING:



Wear protective gloves for this assembly work and always lay the product on a flat and stable surface while assembling.



Follow the assembly instructions step-by-step and use the pictures provided as a visual guide to easily assemble the product!

Do not insert the battery pack before the power tool is completely assembled or adjusted!

CONNECTING THE FRONT AND THE REAR POLE

1. Align arrows on the rear pole component and the front pole, then Insert for connecting (Fig.2).
2. Rotate the connecting sleeve clockwise to reinforce the connection (Fig.3).
3. Check looseness between two parts.

INSTALLING THE SAW CHAIN AND GUIDE BAR



WARNING:

Switch off and remove the battery pack before installing the saw chain and guide bar.

1. Loosen the sprocket cover nut and detach the chain sprocket cover (Fig.4).
2. Wind the saw chain to the outside edge of the guide bar. Make sure the chain teeth are stuck into the slots (Fig.5).



NOTE:

Make sure the chain's direction of rotation is correct. The blades on each cutting link on the upper side of the cutting bar must be facing towards the tip of the pole saw.

3. Attach the guide bar and the saw chain to the product. Loop the saw chain around the sprocket and locate the chain bar by the fixing bolt on the saw (Fig.5). If the guide bar and saw chain can not be mount over the drive sprocket, slightly adjust the tensioning gear.
4. Pull the chain around the guide bar with your gloved hand or using auxiliary tools to make sure it can run smoothly.
5. Replace the sprocket cover and preliminarily screw the sprocket cover nut to prevent the guide bar and saw chain from dropping. Do not totally tighten it (Fig.4).
6. Turn the saw chain tensioning gear clockwise till the saw chain can be lifted by 2-3 mm from the center of the guide bar (Fig.5).
7. Fully tighten the sprocket cover nut to secure the sprocket cover.

INSTALLING THE HARNESS

The harness with quick release function can be hooked on the front handle (Fig.6).

BAR AND CHAIN OIL FILLING



WARNING:

Never operate the pole saw without bar and chain oil. The use of the pole saw without enough bar and chain oil will damage the unit.

This pole saw is shipped without bar and chain oil in the tank. Fill the oil tank for the initial use and check the oil level before every start.

1. Place the pole saw on a level surface. Clean the area around the oil tank cap and then open it.
2. Fill the oil tank with bar and chain oil carefully. Make sure that no dirt gets into the oil tank so that the oil nozzle does not clog.
3. Close the oil tank cap and wipe off residual oil around the opening.

INSTALLING/REMOVING THE BATTERY PACK

To install:

Align and slide the battery pack to the docking port on the pole saw until it is locked in position (Fig.7).

To remove:

Press the unlock button on battery pack and remove the battery pack from the pole saw (Fig.8).

OPERATION



WARNING:

To avoid serious personal injury, do not operate the pole saw without the guide bar, saw chain and sprocket cover properly assembled. Do not attempt to operate the pole saw if any part is damaged or missing.



WARNING:

Always wear protective equipments. Make sure the pole saw is in a complete stop when perform any adjustments.

ADJUSTING THE SAW HEAD

The angle of the saw's head can be adjusted from -60° to 60° by pressing the angle adjustment button. Five stages (-60°, -30°, 0°, 30°, 60°) in total can be achieved (Fig.9).

If you would like to change the angle of the saw's head, switch off the product and remove the battery pack at first in case of injury.

Make sure it is firmly engaged once adjusted. Never start the pole saw whose head is disengaged.

ADJUSTING POLE LENGTH

1. Unlock the telescoping lock clip so that the pole can freely extend outwards and inwards (Fig.10).

2. Extend the pole to the desired length and lock the telescoping lock clip to hold it in place (Fig.11).
3. In order to prevent accident or injury, check the tightness by holding and stretching the both ends of the telescoping part.
4. If the locked telescoping lock clip can not firmly hold the pole. The lock nut for the telescoping release lever is supposed to be tightened by a wrench.

ADJUSTING THE TENSION OF SAW CHAIN



WARNING:

After using, the chain tension may loose. Adjust the chain tension before next work.

If adjustments are needed, slightly loosen the sprocket cover nut. It's not necessary to remove the sprocket cover. Adjust the saw chain tensioning gear by a wrench. Do not over-tension the chain: this will lead to excessive wear and reduce the life of both the bar and chain. Secure the sprocket cover nut after adjustment.



NOTE:

The saw chain is correctly tensioned if it can be raised approximately 2-3 mm from the center of the guide bar.

ADJUSTING THE HARNESS

Adjust the harness to a suitable length (Fig.12).

Always use the harness to carry the product weight on your shoulder (on the same side of tool or cross your body). Ensure that the quick release is on your chest (NOT on your back). Open the quick release clamp under emergencies to take off the harness quickly (Fig.13).

SWITCHING ON/OFF



WARNING:

Before beginning work, you should check:

- The wearing of protective equipments.
- The damage of the saw housing, the saw chain and the guide bar.
- The level of the oil tank.
- The tension of the chain and the condition of the blades.

Hold the product as in working condition.

To start the product, keep pressing the safety switch, Then squeeze the switch trigger (Fig.14).

To switch the product off, just release the switch trigger.

CHARGING THE BATTERY PACK



WARNING:

This Lithium-Ion battery pack is shipped partially charged. Fully charge the battery pack before using it for the first time.



NOTE:

Charging batteries at a ambient temperature of 32°F(0°C)-104°F(40°C).

1. Charge the Lithium-Ion battery pack only with the correct charger.
2. Connect the charger to a power supply, the light indicator of the charger turns red.
3. Align the raised ribs of the battery pack with the slot in the charger.
4. Insert the battery pack into the charger, the light indicator of the charger turns green and it flashes (Fig.15).
5. The charger will communicate with the battery pack to evaluate the condition of the battery pack.
6. It is fully charged that the four lights of the battery turn on. Disconnect the power supply from the charger. Remove battery pack from the charger.

CHARGING INDICATOR

Press the light button on the battery pack to check whether it needs to charge (Fig.8).

Lights			Status
Lighted	Off	Blinking	
			The battery is at full capacity.
			The battery is at 75% capacity.

	The battery is at 50% capacity and requires charging.
	The battery is at 25% capacity and requires charging soon.
	The battery is less than 5% capacity and requires charging immediately.



WARNING:

Malfunctions may occur when the four lights blinking in turns.

OVERHEAT PROTECTION

When the tool/battery is overheated, the tool stops automatically. In this situation, let the power tool/battery cool before turning the tool on again.

OVERDISCHARGE PROTECTION

When the battery capacity is not enough, the tool stops automatically. In this case, remove the battery from the tool and charge the battery.

HOLDING THE UNIT

- Stand in the operating position and stand up straight. Do not bend over.
- Keep feet apart and firmly planted.
- Hold the shaft grip with the right hand. Keep the right arm slightly bent.
- Hold the handle with the left hand. Keep the left arm straight.
- Hold the unit at waist level.
- Position the cutting head a few inches above the ground.
- Do not over-reach; Keep all parts of your body away from the rotating cutting attachment and hot surfaces.

HANDLING POLE SAW

- Hold the pole saw with both hands.
- Wear the harness to carry the weight for maintain a better control of the product.
- Fully grip both handles at all times during operation. Never operate pole saw using only one hand.
- Hold the pole saw at a max. angle of 60° from the

horizontal level (Fig.16).

- Do not stand directly under the limb you are sawing. Objects may fall different than expected. Position yourself well out of the path of falling limbs.
- Keep bystanders away from cutting end of garden power tool and a safe distance from the work area. Maintain a minimum distance of thirty feet to bystanders.
- Do not stand on a ladder or other support while using pole saw. Maintain a firm footing and balance during operation.
- Make sure the power cord is located to the rear, away from the chain and wood, and kept free of branches during cutting.
- Hold the pole saw to the side of your body.
- Do not operate the pole saw with arms fully extended or attempt to saw areas that are difficult to reach.
- Keep a firm, steady pressure on the pole saw while working. Do not try to force the pole saw through the wood, let the chain do the work. Use the gripping teeth to apply minimal leverage pressure.
- Use caution when reaching end of cut. The pole saw's weight may change unexpectedly as it cuts free from the wood. Always remove the pole saw from a wood cut while it is running.

AVOIDING KICKBACK DURING USE

Kickback occurs when the chain (at the tip of the guide bar) comes in contact with a log or wood, or when the saw chain becomes jammed, often when sawing sideward, slanted or during lengthwise cuts.

To avoid kickback:

- Saw with guide bar at a flat angle
- Do not work with a loose, overstretched or worn out chain
- Ensure chain is sharpened correctly
- Do not work with the tip of the guide bar
- Hold the pole saw firmly with both hands
- Use a low kickback chain
- Ensure correct chain tension

CUTTING THIN BRANCHES

- Thin branches can be cut off with a single cut.
- To prevent the branch from splintering and buckling, cut the branch off in several pieces (Fig.17). When cutting larger branches, the following four cuts are necessary:
- First cut into the branch from below, outside of the location where you intend to cut off the branch.
- The cut should go one third to halfway through the branch (1) (Fig.18).
- Cut into the branch from the top, making sure it's outside from where the branch is to be sawed (2) (Fig.18).

- To keep stump and branch from splintering, do a stub undercut below branch (3) (Fig.18).
- Cut off the stump with one clean cut from top to bottom. If desired, seal the cut with a suitable compound (4) (Fig.18).
- When finished cutting, turn off the pole saw and disconnect its power supply after use.
- Clean, then store the appliance indoors out of children's reach.

SAFE WORK



WARNING:

Do not operate near electrical power lines. The unit has not been designed to provide protection from electric shock in the event of contact with overhead electric lines. Consult local regulations for safe distances from overhead electric power lines and ensure that the operating position is safe and secure before operating the tool.

- Before beginning work and after dropping or other impacts, inspect the pole saw in order to identify any significant damage to the housing, the saw chain and the guide bar. Never use an obviously damaged machine.
- Before beginning work and regularly during work check oil level, lubrication system and chain tension.
- Wear hearing protection and protective goggles and a safety helmet with integrated hearing protection and a face guard. This provides protection against falling branches and recoiling branches.
- In order to ensure safe work, a maximum working angle of 60° is prescribed.
- Never stand below the branch to be sawed.
- Exercise caution when sawing branches under tension or splintering wood.
- Potential risk of injury from falling branches and flying wood projectiles!
- If the machine is in operation, keep persons and animals away from the danger area.
- The machine is not protected against electric shock when coming into contact with high-voltage lines.
- Maintain a minimum clearance of 30 feet (10 m) from current carrying lines. Life-threatening danger from electric shock!
- When working on an incline, always stand above or to the side of the branch to be sawed.
- Hold the machine as close as possible to your body. By doing so, you maximize your balance. Make absolutely sure to wear the appropriate, close fitting protective clothing, such as chainsaw-protective pants, gloves and safety shoes.
- Never overwork yourself. Take a regular rest during working.

SAWING TECHNIQUES



WARNING:

The risk of the operation may occur, such as the sharp tree branches may cut the user's skin, the blade of the unit may hurt the user's body. Always wear eye, hearing, hand, foot and body protection to reduce the risk of injury when operating this unit.

- Make sure the chain is running at full speed before touching the branch to be cut
- When removing branches, hold the pole saw at an angle ranging from 0 to 60° in order to avoid being struck by a falling branch. The saw should never be operated directly above head.
- Saw off the lower branches on the tree first. By doing so, it is easier for the cut branches to fall to the ground.
- At the end of the cut, the weight of the saw suddenly increases for the user, because the saw is no longer supported on the branch. There is the risk of losing control of the saw.
- Only pull the saw out of the cut with the saw chain running. By doing so, you can prevent it from getting jammed.
- Do not saw with the tip of the guide bar.
- **IMPORTANT!** Use the shoulder strap! Always use the shoulder strap when working with the equipment. Switch off the equipment before you take off the shoulder strap (risk of injury). And hold the pole saw firmly with both hands.
- If any foreign object is hit or if vibrations occur, stop the machine immediately. Disconnect the battery. Check that the machine is not damaged. Repair any damage.
- For sawing off smaller branches, place the stop face of the saw on the branch. This prevents unwanted movements of the saw at the beginning of the cut. While applying light pressure, guide the saw through the branch from top to bottom.
- For sawing off larger branches, first make a relief cut. Saw through 1/3 of the branch diameter from the bottom to top using the top side of the guide bar. Then saw from top to bottom for the other 2/3 using the bottom side of the guide bar.
- Saw off longer branches in sections in order to maintain control over the location of impact.

MAINTENANCE



WARNING:

Always remove the battery pack and let the product completely cool down before performing cleaning and maintenance work!

Always wear protective equipments such as gloves and eye protections to reduce the risk of injury when operating this unit.

Only perform cleaning and maintenance work according to these instructions! All further works must be performed by a qualified specialist!

When servicing use only identical replacement parts. Use of any other accessory or attachment may increase the risk of injury.

REPLACING THE SAW CHAIN AND GUIDE BAR



WARNING:

When handling saw chains, always wear protective gloves.

Replace chain when cutters are too worn to sharpen or when chain breaks. Only use replacement chain noted in this manual. **DO NOT** use any other bar/chain combination. Always include new drive sprocket when replacing chain. This will maintain proper driving of chain.

1. Place the pole saw body on a firm and level surface.
2. Loosen the sprocket cover nut to remove the chain sprocket cover.
3. Wearing protective gloves, take off the broken saw chain or the guide bar.
4. Wind the new saw chain around the new guide bar, making sure that the teeth are aimed in the direction of rotation. The chain should be properly seated into the slot running along the entire outside edge of the guide bar.
5. Loop the saw chain around the sprocket and locate the guide bar by matching its hole with the fixing bolt on the saw.
6. Put the sprocket cover on the original place.
7. Screw the sprocket cover nut, but not tight.
8. Adjust the chain tension according to the chapter "ADJUSTING THE TENSION OF SAW CHAIN".
9. Fully tighten the sprocket cover nut to secure the sprocket cover.
10. Check for the smooth movement of the saw chain.

SHARPENING THE SAW CHAIN

Keep chain sharp. Your saw will cut more efficient and more safely. A dull chain will cause undue sprocket, guide bar, chain, and motor wear.

Do not force chain into wood to prevent the saw chain from becoming dull.



NOTE:

Do not sharpen the saw chain by yourself unless you are experienced in doing so. It is recommended to have the chain saw sharpened by an authorized service.



WARNING:

Switch off and remove the battery pack before servicing. Cutting edges on chain are sharp. Use protective gloves when handling chain.

To sharpen the chain:

1. Using protective gloves, ensure the chain is correctly tensioned on the guide bar.
 2. Use a round file with a diameter 1.1 times the cutting tooth depth. Make sure 20% of the file diameter is above the cutter's top plate (Fig.19).
 3. File at an angle perpendicular to the bar, and at an angle of 25° to the direction of travel (Fig.20).
 4. File each tooth from the inside towards outside only. File one side of the chain first then turn the saw around and repeat the process.
- Sharpen each tooth equally by using the same number of strokes.
 - Keep all cutter lengths equal. Each time the cutting tip is sharpened the cutting length is reduced. When the cutter length is reduced to 0.16 inch (4 mm), the chain is worn out and should be replaced.
 - The depth gauge setting is also reduced with each sharpening. Every 5 sharpenings use a depth gauge measuring tool to check the height between the cutting tip and the ridge. When necessary, use a flat file to file down the ridge to achieve the 0.25 inch depth gauge setting. Depth gauge measuring tools are available from most pole saws retailers (Fig.21).
 - If the saw is not functioning properly, take it to a qualified pole saw service center to have the saw inspected. Use only identical parts as listed in this manual.

CLEANING

- Remove debris from the saw chain and guide bar.
- Always clean out wood chips, saw dust and dirt from the guide bar's groove when replacing the chain.
- Ensure that the chain tensioning gear is free of wood chips and other debris.
- Use a small brush to clean the outside of the unit.

- Wipe power head with a clean cloth moistened with a mild soap solution. Never use harsh cleaners or solvents.
- Remove wood chips and other debris from air vents.
- Clean dirty contacts with a soft, dry cloth. Dirt or oil can cause a poor electrical connection, resulting in loss of power.

TRANSPORT

- Remove the battery pack from the pole saw.
- Clean the product as described above.
- Install a guide bar cover.
- Always carry the product by its handle.
- Protect the product from any heavy impact or strong vibrations which may occur during transportation in vehicles.
- Secure the product to prevent it from slipping or falling over, damage or injury.

STORAGE

- Remove the battery pack from the pole saw.
- Clean the product as described above.
- Store the product and its accessories in a dark, dry, frost-free, well-ventilated place.
- Always store the product in a place that is inaccessible to children.
- We recommend using the original package for storage or covering the product with a suitable cloth or enclosure to protect it against dust.



NOTE:

To prolong battery life, never store battery pack in a completely discharged condition. Make sure the battery pack is charged once per year or when the LED indicator shows only one light.

DISPOSAL

Waste product should not be disposed of with household waste. Please recycle where facilities exist.

Check with your local authority or retailer for recycling advice.

During the operation, the limbs or branches may be cut by the unit, users should clean these objects to protect environment.



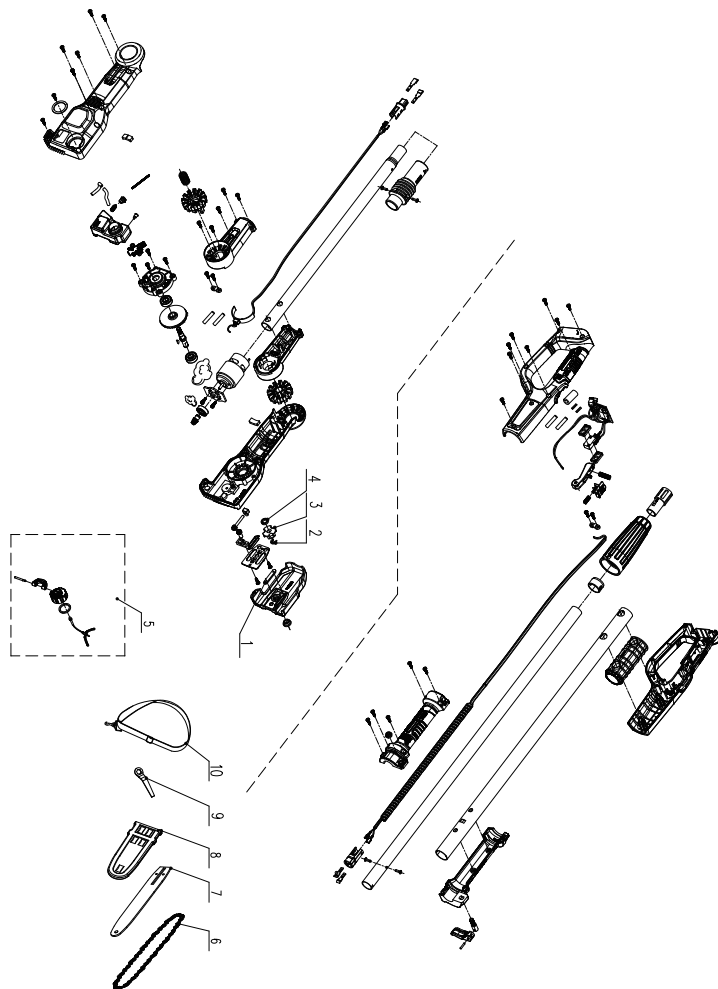
Electrical products should not be discarded with household products. Used electrical products must be collected separately and disposed of at collection points provided for this purpose. Talk with your local authorities or dealer for advice on recycling.

TROUBLESHOOTING

Suspected malfunctions are often due to causes that the users can fix themselves. Therefore, check the product using this section. In most cases the problem can be solved quickly.

PROBLEM	POSSIBLE CAUSE	SOLUTION
Product does not start	Battery pack not properly attached	Attach properly
	Battery pack capacity too low	Remove and charge battery pack
	Battery pack damaged	Check by a specialist electrician
	Safety switch is not turned on	Refer to chapter "SWITCHING ON/OFF"
Product does not reach full power	Battery pack capacity too low	Charge battery pack
	Air vents are blocked	Clean the air vents
Result is unsatisfactory	Cutting attachment is worn	Replace with a new one
Vibration or noise is excessive	Bolts/nuts are loose	Tighten bolts/nuts
Product suddenly stops	Battery pack capacity too low	Remove and charge battery pack
	Battery too hot	Remove battery pack and let it cool down

PARTS



No.	Parts #	Description	Qty.
1	8208-438801-00	Sprocket cover seal ring	1
2	8CE-07B	E-type retaining ring	1
3	8128-462202-00	Sprocket	1
4	F022009-019-00	Axle sleeve	1
5	199123000462	Oil tank cap assembly	1
6	201001000043	Saw chain	1
7	199140000085	Guide bar	1
8	9331-T10701-0000010	Guide bar cover	1
9	8261-463101-00	Wrench	1
10	8214-430802-00	Harness	1

WARRANTY

LIMITED WARRANTY

5-year limited warranty on all Senix X2 series outdoor battery powered equipment. 3-year limited warranty on all Senix X2 batteries and chargers.*

FOR FIVE YEARS from the original date of retail purchase this Senix product is warranted against defects in materials or workmanship on power tools. Defective product will receive free repair.*

FOR THREE YEARS from the original date of retail purchase this Senix product is warranted against defects in materials or workmanship on batteries and chargers. Defective product will receive free repair.*

This warranty does not cover normal wear of parts and components such as cutting chain, line or blades nor does this warranty cover product transportation cost for warranty or service.

Warranty is subject to the following conditions:

- Warranty applies to the original purchaser at retail and is not transferrable*
- Warranty Registration at www.senixtools.com
- The tool has not been misused, abused, neglected, altered, modified or repaired by anyone other than an authorized service center
- Only genuine Senix accessories have been used with or on this product
- The tool has been subjected to normal wear and tear
- The tool has not been used for trade or professional purposes
- The tool has not been used for rental purposes
- This warranty only covers defects arising under normal usage and does not cover any malfunction, failure or defect resulting from misuse, abuse (including overloading the product, exposure to water or rain) accidents, neglect or lack of proper installation and improper maintenance or storage.

To locate your nearest Senix service provider call toll free at 800-261-3981 or email us at service@senixtools.com.

Additional Limitations

Any implied warranty granted under state law, including warranties of merchantability or fitness for a particular purpose, are limited to three years from the date of purchase on power tools and chargers and seven years on batteries. The manufacturer is not responsible for direct, indirect, incidental or consequential damages. Some states and provinces do not allow limitations on how long an implied warranty lasts and/or do not allow the exclusion or limitation of incidental damages, so the above limitations and exclusions may not apply to you. This warranty gives you specific legal rights, and you may also have other rights which vary from state to state or province to province.

The YAT USA declines any responsibility in regard to civil liability arising from abusive use or not in conformity with proper use and maintenance of the machine as described in the operator's manual.

YAT USA is not responsible for direct, indirect, incidental or consequential damages.

After the purchase, the manufacturer recommends proper maintenance of the machine and to read the operator's manual before using the machine.

*Original purchase receipt may be required for proof of purchase

For customer service contact us toll free at 1-800-261-3981 or Senixtools.com.

10506 Bryton Corporate Center Dr, #500 Huntersville, NC 28078

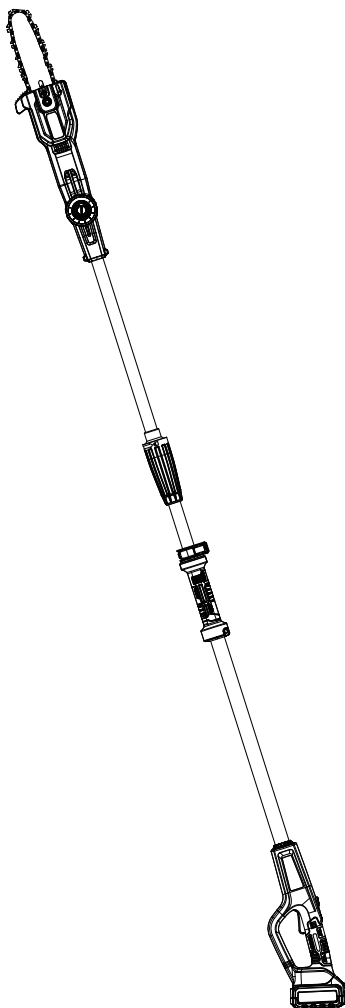


SIERRA DE PÉRTIGA INALÁMBRICA CON IONES DE LITIO MÁX 20 V

Manual del operador

Modelo: CSPX2-M

CSPX2-M-0

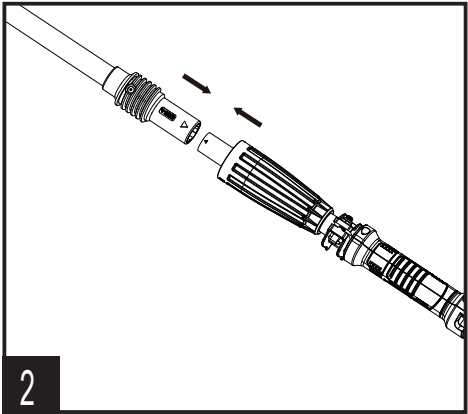
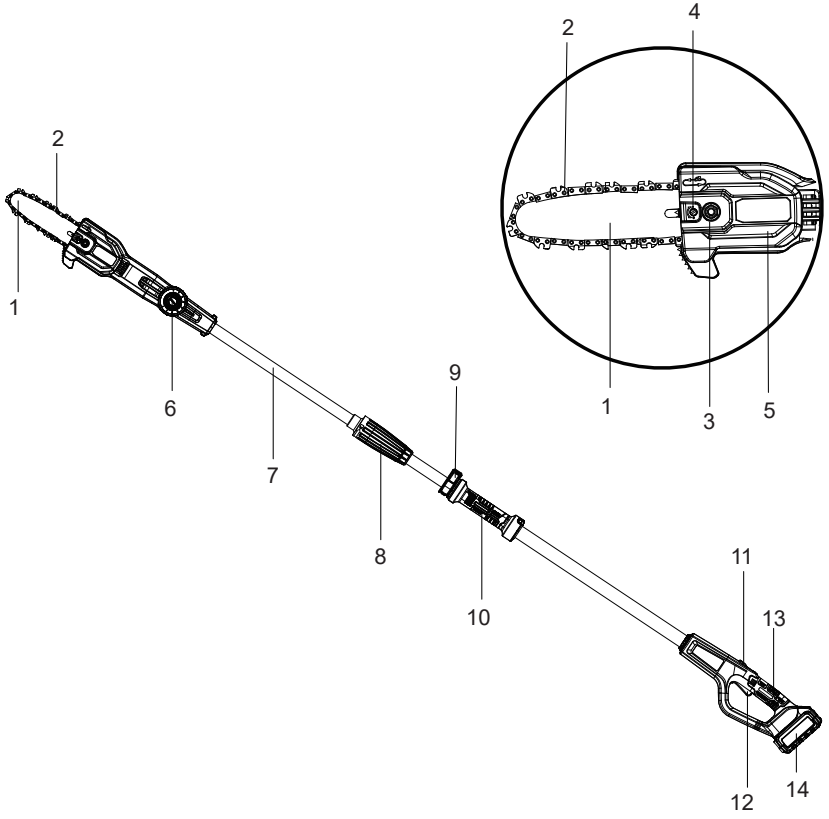


Para el servicio de atención al cliente, llame al 1-800-261-3981 o envíe un email a:
Service@senixtools.com

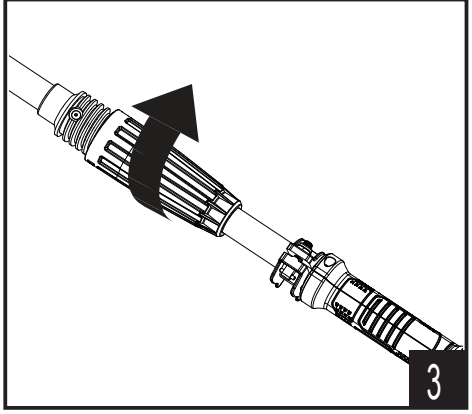
GUARDE ESTE MANUAL PARA FUTURAS CONSULTAS.

INSTRUCCIONES ORIGINALES

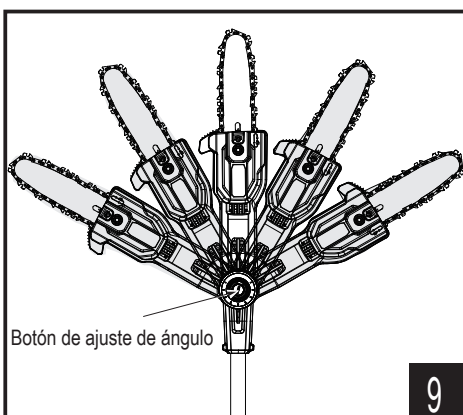
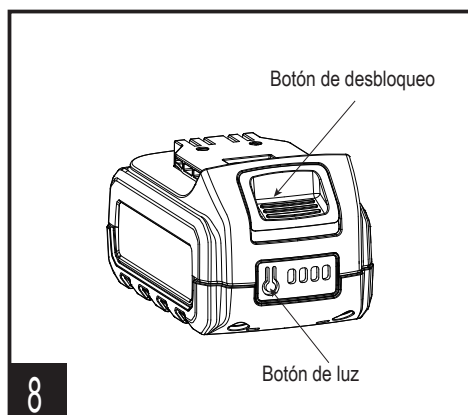
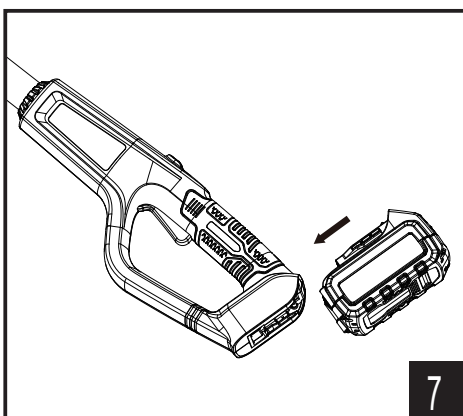
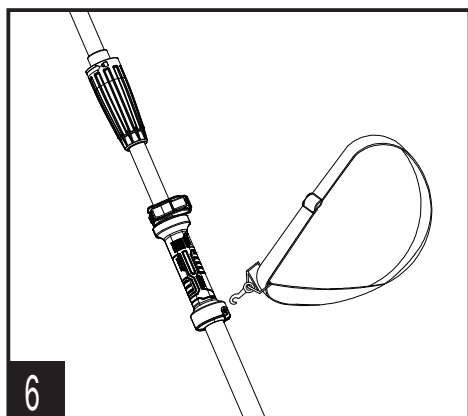
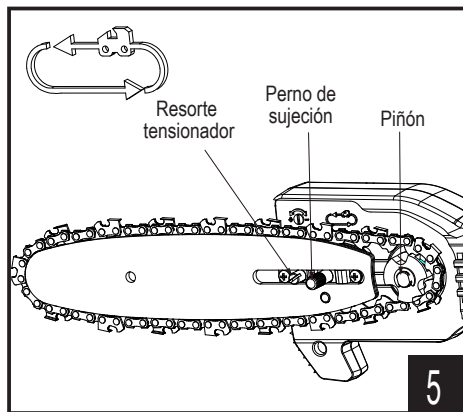
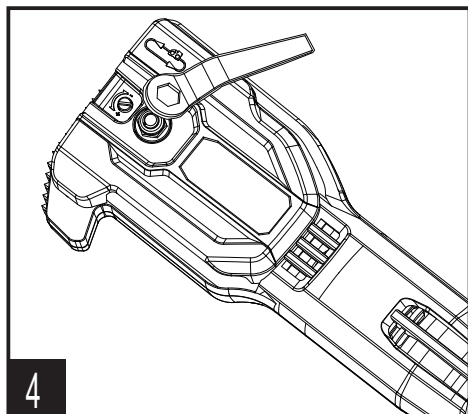
1

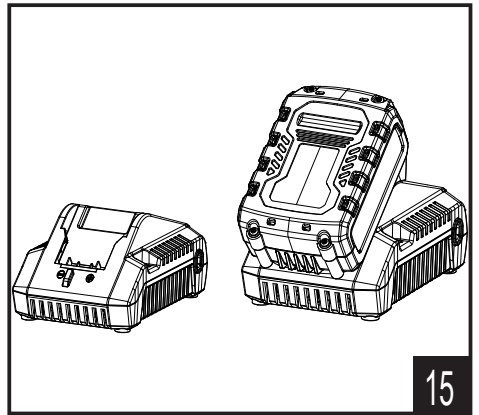
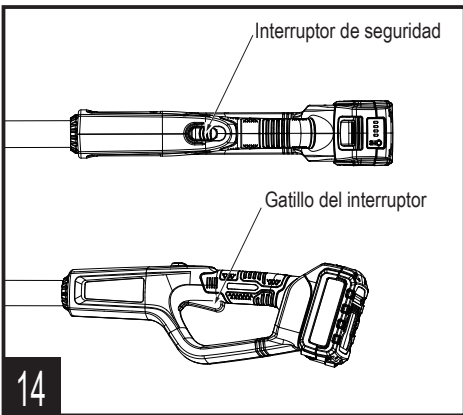
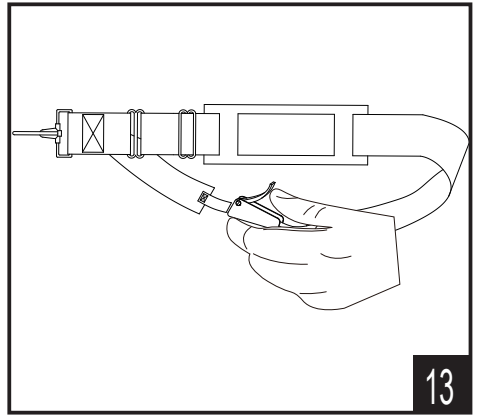
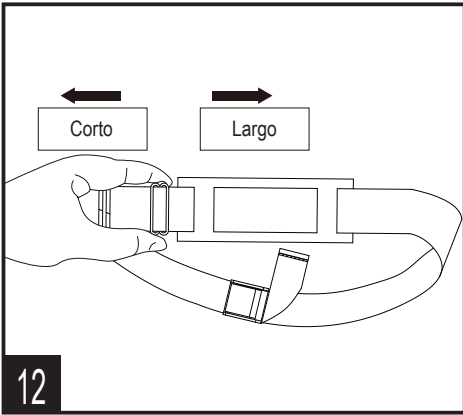
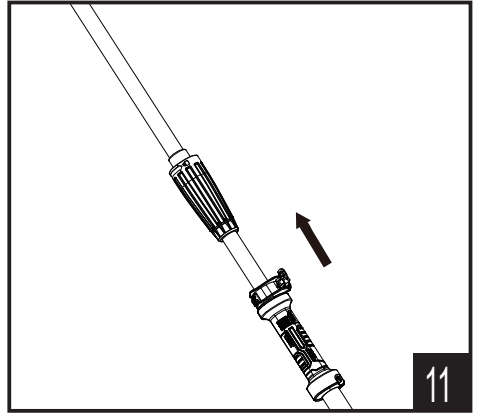
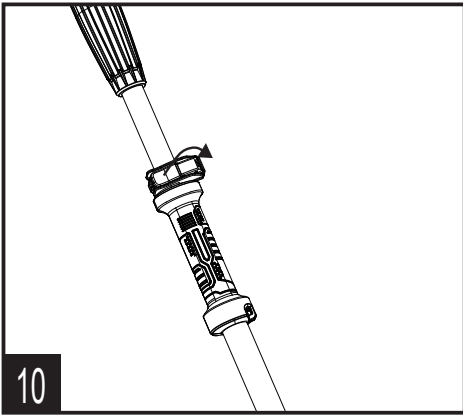


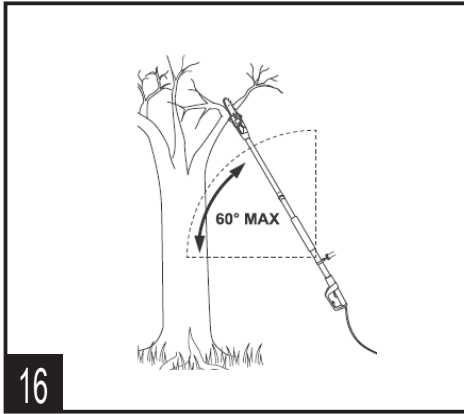
2



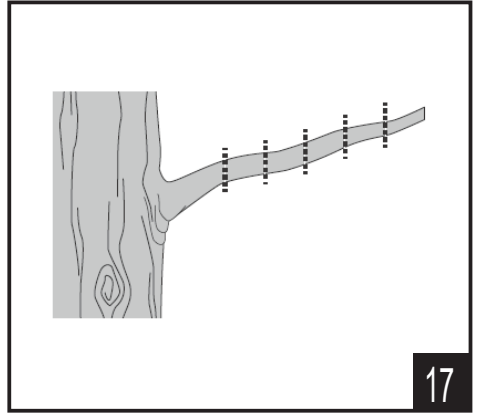
3



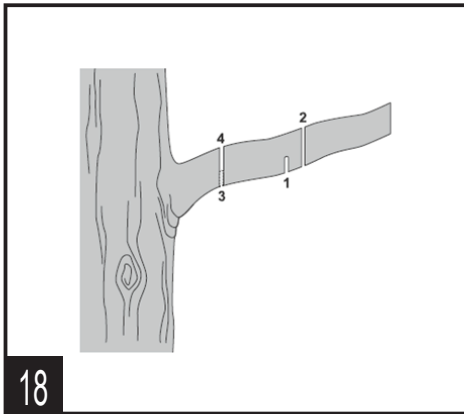




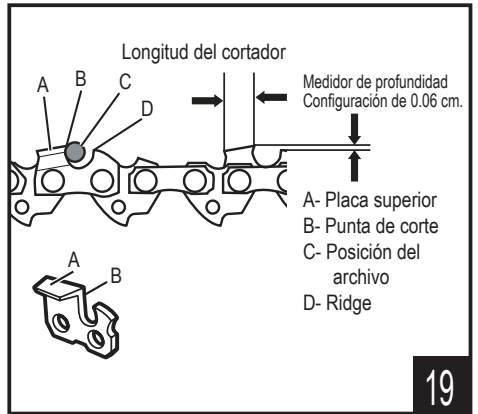
16



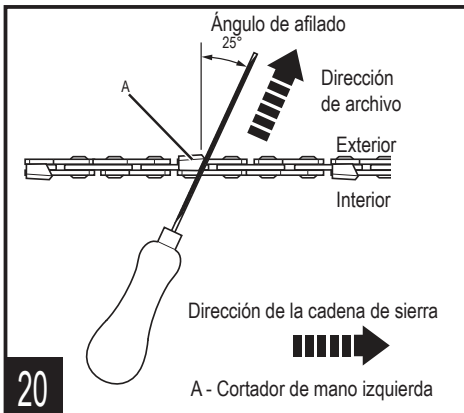
17



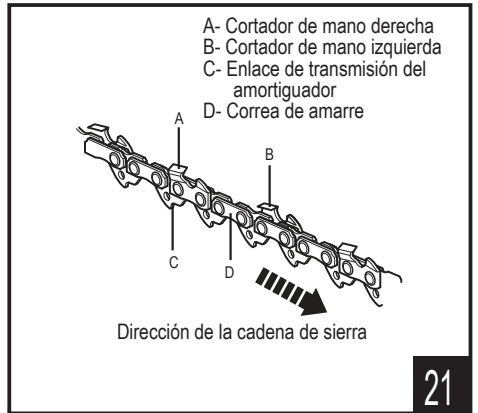
18



19



20



21

ÍNDICE

SEGURIDAD Y SÍMBOLOS INTERNACIONALES	30
INSTRUCCIONES DE SEGURIDAD	31
CONOZCA SU UNIDAD	40
ESPECIFICACIONES*	40
ENSAMBLAJE	41
OPERACIÓN	42
MANTENIMIENTO	46
SOLUCIÓN DE PROBLEMAS	48
PIEZAS	49
GARANTÍA	50

SEGURIDAD Y SÍMBOLOS INTERNACIONALES

Este manual del operador describe la seguridad y los símbolos y pictogramas internacionales que pueden aparecer en este producto. Lea el manual del operador para obtener información completa sobre seguridad, montaje, operación y mantenimiento y reparación.



Precaución / Advertencia.



Para reducir el riesgo de lesiones, el usuario debe leer y entender el manual de instrucciones



Use ropa protectora ajustada.



Use guantes de protección.



Use calzado robusto no resbaladizo.



Use siempre protección ocular, protección para los oídos y para la cabeza, que cumplan con las normas ANSI Z87.1.



PELIGRO: mantenga las manos alejadas de la cuchilla.

¡PELIGRO!



¡Riesgo de electrocución!



Para uso solo en interiores. Utilice el cargador de batería únicamente en interiores.



El contacto con la punta puede hacer que la barra de la cadena se mueva repentinamente hacia arriba y hacia atrás, lo cual puede causar lesiones graves.



Mantenga a los transeúntes a una distancia segura de la zona de trabajo.



No usar bajo la lluvia o en condiciones de humedad.



No deseche los paquetes de baterías en los ríos ni los sumerja en agua.



No arroje los paquetes de baterías al fuego. Explotarán y causarán lesiones.



Use y guarde la batería a una temperatura inferior a 122°F ((50 °C).



No desensamble, aplaste o caliente por encima de los 212°F (100°C). Nunca exponga la batería a microondas o altas presiones.

INSTRUCCIONES DE SEGURIDAD

Todos los operadores deben leer estas instrucciones antes de usar.

Siga siempre estas pautas de seguridad. De no hacerlo, puede provocar lesiones personales graves o la muerte.

¡PELIGRO!

Esto indica una situación peligrosa que, si no se sigue, podría causar lesiones graves o la muerte.

¡ADVERTENCIA!

Esto indica una situación peligrosa que, si no se sigue, podría provocar lesiones graves o la muerte.

¡PRECAUCIÓN!

Esto indica una situación peligrosa que, si no se sigue, podría provocar lesiones leves o moderadas.

ADVERTENCIAS DE SEGURIDAD GENERALES PARA HERRAMIENTAS ELÉCTRICAS

¡ADVERTENCIA!

Al usar herramientas de jardín inalámbricas, siempre deben seguirse precauciones básicas de seguridad para reducir el riesgo de incendio, descarga eléctrica y lesiones personales, incluyendo lo siguiente:

1. Mantenga las guardas en su lugar: las guardas protectoras deben revisarse periódicamente para asegurarse de que estén colocadas correctamente y en buenas condiciones de funcionamiento.
2. Mantenga el área de trabajo limpia y bien iluminada: despeje el área de trabajo de ramas y ramas después de cada sesión de corte. Las áreas desordenadas invitan a los accidentes.
3. No lo utilice en entornos peligrosos: no utilice herramientas eléctricas en lugares húmedos o mojados.
4. No use la sierra de cadena en la lluvia.
5. Mantenga alejados a los transeúntes y a los niños: todos los transeúntes, incluidos los niños y las mascotas, deben mantenerse a una distancia segura del área de trabajo.
6. No fuerce la herramienta: hará el trabajo de manera efectiva y segura si se usa a la velocidad para la que fue diseñada.
7. Utilice la herramienta adecuada: no fuerce la herra-

- mienta ni ningún accesorio de la herramienta para realizar un trabajo para el que no fueron diseñados.
8. Use vestimenta adecuada: no use prendas sueltas o joyas, ya que dichos elementos pueden quedar atrapados en las piezas móviles. Se recomienda el uso de guantes de goma resistentes, calzado sustancial antideslizante y ropa ajustada cuando se trabaja al aire libre con herramientas eléctricas.
 9. Use coberturas protectoras para el cabello para contener el cabello largo.
 10. Siempre use anteojos de seguridad y protectores para los oídos para proteger los ojos y los oídos: los anteojos de uso diario solo tienen lentes resistentes a los impactos y no brindan la misma protección que los anteojos de seguridad.
 11. Utilice mascarillas para el rostro o antipolvo: si la operación de corte es polvorienta, se recomienda el uso de una mascarilla para el rostro o antipolvo especialmente diseñada para filtrar las partículas microscópicas.
 12. Utilice los accesorios recomendados: consulte el manual del propietario para conocer los accesorios recomendados. El uso de accesorios inapropiados puede causar riesgo de lesiones.
 13. Compruebe si hay piezas dañadas: antes de cada uso, repare o reemplace cualquier protector o pieza que esté dañada. Además, compruebe el alineamiento de las piezas móviles, el atascamiento de las piezas móviles, la ruptura de piezas y cualquier otra condición que pueda afectar la operación de su herramienta.
 14. Nunca deje la herramienta desatendida mientras esté en funcionamiento - APAGUE la energía quitando la batería de la unidad. No deje la sierra hasta que la barra de corte se detenga por completo.
 15. No agarre la hoja de corte expuesta o los bordes de corte cuando levante o sostenga la sierra.

Asegúrese de encerrar la barra de corte en su funda protectora cuando no esté en uso.

16. Desconecte la herramienta: apague el interruptor de encendido y retire la batería cuando no esté en uso, antes de realizar tareas de mantenimiento, al transportar o al cambiar la cadena u otros accesorios.
17. Manténgase alerta - Vigile lo que esté haciendo. Use el sentido común. No utilice la sierra de cadena cuando esté cansado.
18. Guarde la herramienta inactiva en el interior - Cuando no se utilicen, los aparatos deben guardarse en el interior, en un lugar seco y alto o bajo llave, fuera del alcance de los niños.

ADVERTENCIAS PARA TODOS LOS APARATOS A BATERÍA

1. Evite arranques accidentales. Asegúrese que el interruptor esté en la posición de OFF (apagado) antes de conectar el paquete de baterías, recoger la herramienta o transportarla. Transportar

herramientas eléctricas con el dedo en el interruptor o energizar herramientas eléctricas con el interruptor encendido, invita a accidentes.

2. Asegúrese de que el interruptor de encendido esté apagado y que la batería esté retirada antes de limpiar el material atascado, hacer ajustes, cambiar accesorios, almacenar o reparar el aparato. Si el cortador de setos se enciende accidentalmente cuando se está limpiando el material atascado o cuando se está dando mantenimiento al aparato, podría causar lesiones personales graves.
3. Recargar solo con el cargador especificado por el fabricante. Un cargador adecuado para un tipo de paquete de batería podría crear un riesgo de incendio si se usa con otro paquete de batería distinto.
4. Use los aparatos solo con los paquetes de batería específicamente designados. El uso de cualquier otro paquete de batería puede generar riesgo de lesiones e

- incendio.
5. Cuando el paquete de batería no esté en uso, manténgalo alejado de otros objetos metálicos como clips, monedas, llaves, clavos, tornillos u otros objetos pequeños de metal, que puedan hacer una conexión entre una terminal y otra. Un cortocircuito en las terminales de la batería podría causar quemaduras o incendios.
 6. En condiciones extremas, el líquido podría ser eyectado de la batería; en ese caso, evite el contacto. Si hay contacto accidental, enjuague con agua. Si el líquido entrara en los ojos, busque ayuda médica. El líquido eyectado de la batería puede causar irritación o quemaduras. (Este consejo se considera correcto para los tipos de pilas de iones de litio, plomo, ácido y NiMh, NiCd convencionales. Si este consejo es incorrecto para un diseño de celda que difiere de estos, entonces se puede sustituir por el consejo correcto).
 7. No use el paquete de batería o la herramienta si está dañada o modificada. Las baterías dañadas o modificadas pueden tener un comportamiento impredecible que puede resultar en incendios, explosiones o riesgo de lesiones.
 8. No exponga el paquete de batería o la herramienta al fuego o a temperaturas excesivas. La exposición al fuego o a temperaturas superiores a (130 °C) puede causar explosiones. La temperatura de 130 °C puede reemplazarse por la temperatura de 265 °F.
 9. Siga todas las instrucciones de carga y no cargue el paquete de batería el aparato fuera del rango de temperatura especificado en las instrucciones. La carga inadecuada o a temperaturas que excedan el rango especificado puede dañar la batería e incrementar el riesgo de incendio.
 10. Haga que el servicio lo lleve a cabo un técnico calificado que utilice únicamente piezas de repuesto idénticas. Esto asegurará que se

mantenga la seguridad del producto.

11. No modifique ni intente reparar el aparato o el paquete de baterías (según corresponda) excepto como se indica en las instrucciones de uso y cuidado.

ADVERTENCIA DE SEGURIDAD DE LA SIERRA DE PÉRTIGA

¡ADVERTENCIA!

Lea todas las advertencias de seguridad y todas las instrucciones. Si no sigue las advertencias y las instrucciones, puede producirse una descarga eléctrica, un incendio y/o una lesión seria. Conserve todas las advertencias e instrucciones para referencia futura. El término "herramienta eléctrica" en las advertencias se refiere a su herramienta eléctrica que funciona con batería (inalámbrica).

1. Familiarícese con el funcionamiento de la sierra de pértiga y aprenda a utilizarla correctamente.
2. Nunca permita que otras personas (especialmente niños) que no hayan leído el manual utilicen la máquina.
3. Nunca quite las etiquetas o

elementos de seguridad.

4. Compruebe el nivel de aceite antes de cada uso de la sierra de cadena. Nunca use la sierra de cadena sin aceite en el tanque o cuando la cantidad de aceite sea baja.
5. Asegúrese de que los mangos estén limpios y secos. Cuando la sierra de cadena de pértiga esté en funcionamiento, sujete siempre firmemente el mango delantero con la mano izquierda y el mango trasero con la mano derecha.
6. No opere la sierra de cadena en un ambiente con materiales inflamables como líquidos, gases o polvo. Las chispas generadas por el funcionamiento de la máquina pueden provocar una explosión.
7. Nunca se ponga directamente debajo de la pieza que esté cortando. Colóquese siempre fuera del camino de los escombros que caen.
8. Empiece siempre a cortar con la cadena en movimiento en marcha.
9. No asierre con la punta de la

barra guía.

10. Para protegerse de la electrocución, no opere la sierra a menos de 50 pies (15 m) de cables aéreos. El incumplimiento de esta instrucción podría resultar en lesiones personales graves.
11. Se puede regular el uso de equipos eléctricos. Recuerde cumplir con las regulaciones legales que pueden diferir de un lugar a otro.

REBOTE

EVITE CONTACTAR LA PUNTA DE LA BARRA GUÍA CON CUALQUIER OBJETO.

En algunos casos, cuando la punta entra en contacto con un objeto, puede causar una reacción inversa rápida, pateando la barra guía hacia arriba y de vuelta hacia el operador. Pellizco de la cadena de la sierra
Si la sierra queda aprisionada sobre la parte superior de la barra guía, esta podría empujar la barra guía rápidamente hacia atrás en dirección del operador. Cualquiera de estas reacciones podría hacerle perder el control de la sierra, lo que podría causar una lesión personal grave.

- Los dispositivos de seguridad

contra el contragolpe de esta sierra de pértiga inalámbrica incluyen una cadena de salto y una barra guía de contragolpe bajo. Estos reducirán, pero no evitarán por completo, los contragolpes. Siga las precauciones necesarias indicadas en este manual del operador para evitar los contragolpes.

- Utilice siempre las dos manos cuando opere la sierra de cadena de pértiga, una mano agarrando el gatillo y la otra agarrando la pértiga. Mantenga un agarre firme. Los pulgares y los dedos deben envolver al gatillo y a la pértiga.
- Mantenga todos los protectores en su lugar en la sierra de pértiga. Asegúrese de que funcionen correctamente.
- No se estire demasiado ni extienda los brazos por encima de la altura de los hombros.
- Mantenga una base sólida y equilibrio en todo momento.
- Nunca intente cortar dos ramas al mismo tiempo. Solo corte una a la vez.
- No entierre la punta de la barra guía ni intente cortar perforando la punta de la barra guía en la madera.

- Esté atento al movimiento de la madera u otras fuerzas que puedan pellizcar la cadena.
- Tenga mucho cuidado al volver a ingresar a un corte anterior.
- Utilice la cadena de bajo retroceso y la barra guía que se suministran con esta sierra de pértiga. Utilice únicamente piezas de repuesto originales diseñadas específicamente para su uso con esta sierra de pértiga.
- Nunca use una cadena suelta o desafilada. Mantenga la cadena afilada con la tensión adecuada.

ADVERTENCIAS DE SEGURIDAD DEL PAQUETE DE BATERÍA

- Antes de insertar el paquete de batería, asegúrese de que el interruptor esté en la posición de apagado (off). La inserción del paquete de batería en máquinas que tengan el interruptor encendido (on) podría causar accidentes.
- Use solo paquetes de batería originales diseñados específicamente para esta máquina. El uso de cualquier otro paquete de batería puede generar riesgo de lesiones e incendio.

- No abra la batería. Peligro de cortocircuito.
- Proteja la batería del calor (como luz solar intensa y continua e incendios), el agua y la humedad. Peligro de explosión.
- En caso de daño o uso inadecuado de la batería, podrían emitirse vapores. Ventile el área y busque ayuda médica en caso de quejas. Los vapores pueden irritar el sistema respiratorio.
- Use el paquete de batería solo con este producto y/o familia de productos. Esta medida por sí sola protege la batería contra una sobrecarga peligrosa.
- La batería puede dañarse por objetos puntiagudos como clavos o tornillos o si se aplica fuerza externamente. Puede ocurrir un cortocircuito interno y la batería puede quemarse, humear, explotar o sobrecalentarse.
- No provoque un cortocircuito de la batería. Existe el peligro de explosión.
- Almacene y use la batería solo dentro de un rango de temperatura entre -4 °F (-20 °C) y 77 °F (25 °C). Por ejemplo, no deje la batería dentro del auto

en verano.

- Limpie de vez en cuando las ranuras de ventilación y clavijas de contacto del paquete de batería con un cepillo suave, limpio y seco.

ADVERTENCIAS DE SEGURIDAD DEL CARGADOR DE BATERÍAS

Lea todas las instrucciones y advertencias de seguridad antes de usar el cargador. ¡Para uso solo en interiores!

- Este aparato no está previsto para ser utilizado por niños o por personas con limitaciones físicas, sensoriales o mentales o con falta de experiencia o conocimiento. Este aparato puede ser usado por niños a partir de 8 años y mayores, y personas con capacidades físicas, sensoriales o mentales reducidas o con falta de experiencia y conocimiento si tienen supervisión o instrucciones relativas al uso del aparato de manera segura y si comprenden los peligros que conlleva. Los niños no deben jugar con el aparato. Los niños no deberán realizar la limpieza y el mantenimiento sin supervisión.
- El cable de suministro no

puede reemplazarse. Si el cable está dañado, el aparato deberá desecharse.

- Cargue la batería de iones de litio únicamente como se menciona en este manual de instrucciones. No cargue baterías no recargables.
- La batería y el cargador deben colocarse en un área bien ventilada.
- Si el cable de suministro está dañado, para evitar cualquier peligro, deberá ser sustituido por el fabricante, su agente de servicio o personas similarmente calificadas.
- No opere el cargador de batería en superficies o entornos fácilmente inflamables (como papel, textiles, etc.). El calor del cargador de la batería durante el proceso de carga puede suponer un peligro de incendio.
- No tape las ranuras de ventilación del cargador de baterías. Si las tapa, el cargador podría sobrecalentarse y dejar de funcionar correctamente.

EMERGENCIA

Familiarícese con el uso de este producto mediante este manual de

instrucciones. Memorice las instrucciones de seguridad y sígalas al pie de la letra. Esto ayudará a prevenir riesgos y peligros.

- Siempre esté alerta cuando utilice este producto para que pueda reconocer y manejar los riesgos a tiempo. Una intervención rápida puede prevenir lesiones graves y daños a la propiedad.
- Apague el producto y retire el paquete de batería si hay cualquier mal funcionamiento. Asegúrese de que el producto sea revisado por un profesional calificado y que sea reparado, si es necesario, antes de volver a operarlo.

CONOZCA SU UNIDAD

APLICACIONES

Modelo: CSPX2-M

Como sierra de pértiga:

Cortar ramas con un grosor de máx. 16.26 cm.

1	Barra guía
2	Cadena de sierra
3	Tuerca de la cubierta del piñón
4	Resorte tensionador
5	Cubierta del piñón
6	Botón de ajuste de ángulo
7	Vara
8	Funda de conexión
9	Clip de bloqueo telescópico
10	Mango delantero
11	Interruptor de seguridad
12	Gatillo del interruptor
13	Mango posterior
14	Paquete de batería



NOTA:

CSPX2-M-0 no incluye el cargador ni la batería.

ESPECIFICACIONES*

Modelo	CSPX2-M	
Voltaje de entrada	18V c.c.	
Velocidad sin carga	3480 rpm	
Capacidad del depósito de aceite	61 ml	
Velocidad de la cadena	5.2m/s	
Longitud de la barra guía	20 cm	
Longitud máxima de colapso	2.44 m	
Longitud máxima de corte	17.78 cm	
Peso (sin batería)	3 kg	
Modelo de paquete de baterías para la opción	B25X2	B50X2
Tensión nominal	18V	18V
Capacidad nominal	2.5Ah	5.0Ah
Peso	336 gramos	649 gramos
Modelo del cargador	CHX2	
Entrada nominal	100-240 V ~ 50 / 60Hz	
Salida nominal	21 V, 2000 mA	
Tiempo de carga (con batería de 2.5 Ah)	85 mins	
Tiempo de carga (con batería de 5.0 Ah)	130 mins	
Clase de protección (para cargador)	/ II	
Peso	340 gramos	

Modelo	CSPX2-M-0
Voltaje de entrada	18V c.c.
Velocidad sin carga	3480 rpm
Capacidad del depósito de aceite	61 ml
Velocidad de la cadena	5.2m/s
Longitud de la barra guía	20 cm
Longitud máxima de colapso	2.44 m
Longitud máxima de corte	17.78 cm
Peso (sin batería)	3 kg
Modelo del paquete de batería	No incluido
Modelo del cargador	No incluido

ENSAMBLAJE

1. Desempaque todas las piezas y colóquelas en una superficie llana y estable:
2. Retire todos los materiales de embalaje y dispositivos de envío, si corresponde.
3. El alcance de la entrega varía en función del país y la variante adquirida:
Modelo de CSPX2-M-0
 - Sierra de pértiga x1
 - Manual de instrucciones x1
 - Barra guía x1
 - Cubierta de la barra guía x1
 - Sierra de cadena x1
 - Llave inglesa x1
 - Arnés x1
4. Si ve que faltan partes o se ve dañado, no use el producto y póngase en contacto con el distribuidor. El uso de un producto incompleto o dañado representa un peligro para las personas y la propiedad.
5. Asegúrese de que tiene todos los accesorios y herramientas necesarios para el ensamblaje y la operación. Esto también incluye el uso de equipos de protección personal adecuados.



NOTA:

CSPX2-M incluye el cargador y el paquete de batería.
CSPX2-M-0 no incluye el cargador ni el paquete de batería.



ADVERTENCIA:



Póngase guantes de protección para este trabajo de ensamblaje y coloque siempre el producto sobre una superficie plana y estable cuando lo esté montando.



Siga las instrucciones de ensamblaje paso a paso y use las imágenes que se indican como guía visual para ensamblar fácilmente el producto.

¡No inserte la batería antes de que la herramienta eléctrica esté completamente ensamblada o ajustada!

CONEXIÓN DE LA PÉRTIGA DELANTERA Y TRASERA

1. Alinee las flechas en el componente de la pértiga trasera y la pértiga delantera, luego inserte para conectar (Fig.2).
2. Gire la funda de conexión en el sentido de las agujas del reloj para reforzar la conexión (Fig.3).
3. Compruebe la holgura entre dos partes.

INSTALACIÓN DE LA CADENA DE SIERRA Y LA BARRA GUÍA



ADVERTENCIA:

Apague y retire el paquete de baterías antes de instalar la cadena de la sierra y la barra guía.

1. Afloje la tuerca de la tapa del piñón y separe la cubierta del piñón de la cadena (Fig.4).
2. Enrolle la cadena de la sierra hasta el borde exterior de la barra guía. Asegúrese de que los dientes de la cadena estén pegados en las ranuras (Fig.5).



NOTA:

Asegúrese de que la dirección de la cadena de rotación sea la correcta. Las cuchillas en cada enlace de corte en la parte superior de la barra de corte deben ir viendo hacia la punta de la desbrozadora.

3. Coloque la barra guía y la cadena de la sierra en el producto. Pase la cadena de la sierra alrededor del piñón y ubique la barra de la cadena por el perno de fijación de la sierra (Fig.5). Si la barra guía y la cadena de la sierra no se pueden montar sobre el piñón de la transmisión, ajuste ligeramente el engranaje tensor.
4. Tire de la cadena alrededor de la barra guía con la mano enguantada o con herramientas auxiliares para asegurarse de que funcione sin problemas.
5. Reemplace la tapa del piñón y atornille preliminarmente la tuerca de la cubierta del piñón para evitar que la barra guía y la cadena de la sierra se caigan. No lo apriete totalmente (Fig.4).
6. Gire el engranaje tensor de la cadena de la sierra en el sentido de las agujas del reloj hasta que la cadena de la sierra se pueda levantar 2-3 mm desde el centro de la barra guía (Fig.5).
7. Ajuste completamente la tuerca de la cubierta del piñón para fijar la cubierta del piñón.

INSTALACIÓN DEL ARNÉS

El arnés con función de liberación rápida puede engancharse en el asa delantera (Fig. 6).

LLENADO DEL ACEITE DE LA BARRA Y CADENA



ADVERTENCIA:

Nunca opere la sierra sin el aceite de la barra y la cadena. El uso de la sierra sin el aceite de la barra y la cadena suficiente dañará la unidad.

Esta sierra de pértiga se envía sin aceite para barra y cadena en el tanque. Llene el depósito de aceite para el uso inicial y compruebe el nivel de aceite antes de cada arranque.

1. Coloque la sierra de pértiga sobre una superficie nivelada. Limpie el área alrededor de la tapa del tanque de aceite y luego ábralo.
2. Llene el depósito de aceite con aceite para barra y cadena con cuidado. Asegúrese de que no penetre suciedad en el tanque para que la boquilla de aceite no se vaya a taponar.
3. Cierre la tapa del depósito de aceite y limpie el aceite residual alrededor de la abertura.

INSTALAR/RETIRAR EL PAQUETE DE BATERÍA

Para instalar:

Alinee y deslice el paquete de baterías en el puerto de acoplamiento de la sierra de pértiga hasta que quede bloqueada en su posición (Fig.7).

Para retirar:

Presione el botón de desbloqueo del paquete de la batería y extraígallo de la sierra de pértiga (Fig. 8).

OPERACIÓN



ADVERTENCIA:

Para evitar lesiones personales graves, no utilice la sierra de pértiga sin que la barra guía, la cadena de la sierra y la cubierta del piñón estén correctamente montadas. No intente operar la sierra de pértiga si alguna pieza está dañada o ausente.



ADVERTENCIA:

Siempre use equipos de protección. Asegúrese de que la sierra de pértiga esté completamente detenida cuando realice cualquier ajuste.

AJUSTE DEL CABEZAL DE LA SIERRA

El ángulo de la cabeza de la sierra se puede ajustar de -60° a 60° presionando el botón de ajuste de ángulo. Se pueden lograr cinco etapas (-60° , -30° , 0° , 30° , 60°) en total (Fig. 9). Si desea cambiar el ángulo del cabezal de la sierra, apague el producto y retire el paquete de baterías al principio en caso de lesión.

Asegúrese de que esté firmemente enganchado una vez ajustado. Nunca encienda la sierra de pértiga con el cabezal esté desacoplado.

AJUSTE DE LA LONGITUD DE LA PÉRTIGA

1. Desbloquee el clip de bloqueo telescópico para que la pértiga pueda extenderse libremente hacia fuera y hacia dentro (Fig.10).
2. Extienda la pértiga a la longitud deseada y bloquee el clip de bloqueo telescópico para mantenerlo en su lugar (Fig.11).
3. Para evitar accidentes o lesiones, verifique la tensión sujetando y estirando ambos extremos de la parte telescópica.
4. Si el clip de bloqueo telescópico bloqueado no puede sujetar firmemente la pértiga. Se supone que la contratuerca de la palanca de liberación telescópica debe ajustarse con una llave.

AJUSTE DE LA TENSIÓN DE LA CADENA DE SIERRA



ADVERTENCIA:

Después del uso, la tensión de la cadena puede aflojarse. Ajuste la tensión de la cadena antes del siguiente trabajo.

Si es necesario realizar ajustes, afloje ligeramente la tuerca de la cubierta del piñón. No es necesario quitar la cubierta del piñón. Ajuste el engranaje tensor de la cadena de la sierra con una llave.

No tense excesivamente la cadena: esto provocará un desgaste excesivo y reducirá la vida útil de la barra y la cadena.

Fije la tuerca de la cubierta del piñón después del ajuste.



NOTA:

La cadena de la sierra está correctamente tensada si se puede aumentar aproximadamente 2-3 mm desde el centro de la barra guía.

AJUSTE DEL ARNÉS

Ajuste el arnés a una longitud adecuada (Fig.12). Use siempre el arnés para llevar el peso del producto en el hombro (en el mismo lado de la herramienta o cruzado sobre el cuerpo). Asegúrese de que la liberación rápida esté en el pecho (NO en la espalda). Abra la abrazadera de liberación rápida en caso de emergencia para quitarse el arnés rápidamente (Fig.13).

APAGAR Y ENCENDER



ADVERTENCIA:

- Antes de comenzar a trabajar, debe verificar:
- El uso de equipos de protección.
 - El daño de la carcasa de la sierra, la cadena de la sierra y la barra guía.
 - El nivel del depósito de aceite.
 - La tensión de la cadena y la condición de las cuchillas.

Sostenga el producto como en condiciones de funcionamiento.

Para encender el producto, mantenga presionado el interruptor de seguridad y, a continuación, apriete el gatillo del interruptor (Fig.14).

Para apagar el producto, simplemente suelte el gatillo del interruptor.

CARGA DEL PAQUETE DE BATERÍA



ADVERTENCIA:

Este paquete de batería de iones de litio se envía parcialmente cargado. Cargue por completo el paquete de batería antes de usarlo por primera vez.



NOTA:

Carga de baterías a una temperatura ambiente de 32 °F (0 °C) -104 °F (40 °C).

1. Cargue el paquete de batería de iones de litio solo con el cargador indicado.
2. Conecte el cargador a una fuente de alimentación; el indicador luminoso del cargador se pondrá en rojo.
3. Alinee las ranuras levantadas del paquete de batería con la ranura en el cargador.
4. Inserte el paquete de batería en el cargador, la luz indicadora del cargador se enciende de color verde y parpadea (Fig. 15).
5. El cargador comunica con el paquete de batería para evaluar su condición.
6. Está completamente cargado cuando se encienden las cuatro luces de la batería. Desconecte el cargador del suministro de energía. Retire el paquete de batería del cargador.

INDICADOR DE CARGA

Pulse el botón de luz de la batería para comprobar si necesita cargarse (Fig.8).

Luces			Estatus
Iluminado	Apagado	Parpadeo	
			La batería está al máximo de capacidad.
			La batería está al 75% de capacidad.
			La batería está al 50% de capacidad y necesita cargarse.
			La batería está al 25% de capacidad y necesita cargarse pronto.
			La batería tiene menos del 5% de capacidad y requiere carga inmediata.



ADVERTENCIA:

Pueden ocurrir averías cuando las cuatro luces parpadean por turnos.

PROTECCIÓN CONTRA EL SOBRECALENTAMIENTO

Cuando la herramienta/batería se sobrecalienta, la herramienta se detiene automáticamente. En esta situación, deje que la herramienta eléctrica/batería se enfríe antes de volver a encenderla.

PROTECCIÓN CONTRA SOBREDESCARGA

Cuando la capacidad de la batería no es suficiente, la herramienta se detiene automáticamente. En este caso, retire la batería de la herramienta y cárguela.

CÓMO SUJETAR LA HERRAMIENTA

- Párese en la posición de funcionamiento y póngase de pie derecho. No se incline.
- Mantenga los pies separados y firmes sobre el suelo.
- Sostenga la varilla del eje con la mano derecha. Mantenga el brazo derecho ligeramente doblado.
- Sujete el mango con la mano izquierda. Mantenga el brazo izquierdo recto.
- Sujete la unidad a nivel de la cintura.
- Coloque el cabezal de corte a unos centímetros por encima del suelo.
- No se estire demasiado para alcanzar; mantenga todas las partes de su cuerpo alejadas del accesorio de corte en rotación y de las superficies calientes.

MANIPULACIÓN DE LA SIERRA DE PÉRTIGA

- Sujete la sierra de pértiga con ambas manos.
- Use el arnés para soportar el peso y mantener un mejor control del producto.
- Agarre ambas asas en todo momento durante la operación. Nunca opere la sierra de pértiga con una sola mano.
- Sujete la sierra de pértiga en un ángulo máximo de 60° con respecto al nivel horizontal (Fig. 16).
- Nunca se ponga directamente debajo de la pieza que está aserrando. Los objetos podrían caer de manera distinta a la esperada. Colóquese siempre alejado de donde caigan las ramas aserradas.

- Mantenga a los transeúntes alejados del extremo cortante de la herramienta eléctrica de jardín y a una distancia segura del área de trabajo. Mantenga una distancia mínima de 9 metros de los transeúntes.
- No se pare en una escalera u otro soporte mientras usa la sierra de pértiga. Mantenga los pies firmes y en equilibrio en todo momento.
- Asegúrese de que el cable de alimentación esté ubicado en la parte trasera, alejado de la cadena y la madera, y de que no tenga ramas durante el corte.
- Sostenga la sierra de pértiga a un lado de su cuerpo.
- No opere la sierra de pértiga con los brazos completamente extendidos ni intente aserrar áreas de difícil acceso.
- Mantenga una presión firme y constante sobre la sierra de pértiga mientras trabaja. No intente forzar la sierra de pértiga a través de la madera, deje que la cadena haga el trabajo. Utilice los dientes de agarre para aplicar una presión de palanca mínima.
- Tenga cuidado al llegar al final del corte. El peso de la sierra de pértiga puede cambiar inesperadamente a medida que corta la madera. Siempre retire el producto de un corte de madera mientras esté funcionando.

EVITAR EL CONTRAGOLPE DURANTE EL USO

El contragolpe ocurre cuando la cadena (en la punta de la barra guía) entra en contacto con un tronco o madera, o cuando la cadena de la sierra se atasca, a menudo al ser rar de lado, inclinado o durante los cortes transversales.

Para evitar el contragolpe:

- Sierra con barra guía en ángulo plano
- No trabaje con una cadena suelta, demasiado estirada o gastada
- Asegúrese de que la cadena esté correctamente afilada.
- Nunca asierre con la punta de la barra guía.
- Sostenga la sierra de barra firmemente con ambas manos
- Use una cadena de contragolpe.
- Asegúrese de que la cadena tenga la tensión correcta.

CORTE DE RAMAS DELGADAS

- Se pueden cortar las ramas delgadas de un solo corte.
- Para evitar que la rama se astille o se abolle, esta deberá cortarse en varios trozos (Fig. 17). Al cortar ramas más grandes, son necesarios los siguientes cuatro cortes:
- Primero, corte la rama por debajo, desde fuera del lugar donde quiere cortarla.
- El corte debe ir de un tercio a la mitad de la rama (1) (Fig.18).
- Corte la rama desde la parte superior, asegurándose de que esté fuera de donde se va a cortar la rama (2)

(Fig. 18).

- Para evitar que el tocón y la rama se astillen, haga un corte por debajo de la rama (3) (Fig. 18).
- Por último, corte el muñón con un corte limpio de arriba a abajo. Si lo desea, selle el corte con un compuesto adecuado (4) (Fig. 18).
- Cuando termine de cortar, apague la sierra de pértiga y desconecte su fuente de alimentación después de usarla.
- Limpie y guarde el aparato en interiores fuera del alcance de los niños.

TRABAJO SEGURO



ADVERTENCIA:

No opere cerca de cables de energía eléctrica. La unidad no ha sido diseñada para brindar protección contra descargas eléctricas en caso de contacto con líneas eléctricas aéreas. Consulte las reglamentaciones locales para conocer las distancias seguras de las líneas eléctricas aéreas y asegúrese de que la posición de funcionamiento sea segura antes de operar la herramienta.

- Antes de comenzar a trabajar y después de una caída u otros impactos, inspeccione la sierra de pértiga para identificar cualquier daño significativo en la carcasa, la cadena de la sierra y la barra guía. Nunca use una máquina visiblemente dañada.
- Antes de comenzar a trabajar y regularmente durante el trabajo, verifique el nivel de aceite, el sistema de lubricación y la tensión de la cadena.
- Utilice protección auditiva y gafas protectoras y un casco de seguridad con protección auditiva integrada y protector facial. Esto ofrece protección contra las ramas que caen y las ramas que retroceden.
- Para garantizar un trabajo seguro, se prescribe un ángulo de trabajo máximo de 60°.
- Nunca se pare debajo de la rama que se va a cortar.
- Tenga cuidado al serrar ramas bajo tensión o al astillar madera.
- ¡Riesgo potencial de lesiones por caída de ramas y proyectiles de madera voladores!
- Si la máquina está en operación, mantenga a las personas y animales lejos del área de peligro.
- La máquina no está protegida contra descargas eléctricas cuando entre en contacto con cables de alta tensión.
- Mantenga un espacio mínimo de 30 pies (10 m) de los cables eléctricos. ¡Existe peligro mortal por descarga eléctrica!
- Cuando trabaje en una inclinación, siempre párese por encima o al lado de la rama que se esté cortando.

- Sostenga la máquina lo más cerca posible de su cuerpo. Al hacerlo, maximiza su equilibrio. Asegúrese absolutamente de llevar puesta ropa ajustada apropiada, como pantalones protectores contra la sierra, guantes y calzado de seguridad.
- Nunca trabaje en exceso. Descanse regularmente durante el trabajo.

TÉCNICAS DE ASERRADO



ADVERTENCIA:

Hay riesgos como que las ramas afiladas de un árbol rasguen la piel del usuario, que la cuchilla de la unidad pueda lesionar el cuerpo del usuario. Use siempre protección para los ojos, oídos, pies y cuerpo, y reduzca así el riesgo de lesiones a la hora de operar esta unidad.

- Asegúrese de que la cadena esté funcionando a toda velocidad antes de tocar la rama a cortar.
- Al retirar ramas, sostenga la sierra a un ángulo entre 0 y 60° para evitar que una rama le caiga encima. La sierra debe operarse directamente por encima de la cabeza.
- Póde primero las ramas más bajas del árbol. Al hacerlo así, es más fácil que las ramas cortadas caigan al suelo.
- Al final del corte, el peso de la sierra aumenta repentinamente para el usuario, porque la sierra ya no está apoyada en la rama. Existe el riesgo de perder el control de la sierra.
- Extraiga la sierra del corte únicamente con la cadena de la sierra en funcionamiento. Al hacerlo, puede evitar que se atasque.
- No asierre con la punta de la barra guía.
- ¡IMPORTANTE! ¡Use la correa para el hombro! Utilice siempre la correa para el hombro cuando trabaje con el equipo. Apague el equipo antes de quitarse la correa para el hombro (riesgo de lesiones). Y sujete la sierra de pértiga firmemente con ambas manos.
- Si se golpea un objeto extraño u ocurren vibraciones, detenga la máquina de inmediato. Desconecta la batería. Verifique que la unidad no esté dañada. Repare cualquier daño.
- Para podar ramas más pequeñas, coloque el tope de la podadora en la rama. Esto evitará movimientos indeseados de la sierra al inicio del corte. Aplicando una leve presión, guíe la sierra a través de la rama, de arriba hacia abajo.
- Para podar ramas más grandes, realice primero un corte de mitigación. Asierre a través de 1/3 del diámetro de la rama, desde la parte inferior hacia la superior, usando el lado superior de la barra guía. Luego póde de arriba a abajo para los 2/3 restantes, usando el lado inferior de la barra guía.
- Póde las ramas más largas en secciones para mantener el control sobre el lugar del impacto.

MANTENIMIENTO



ADVERTENCIA:

¡Siempre apague el producto, desconecte el paquete de batería de la unidad y deje que el producto se enfríe antes de efectuar trabajos de mantenimiento y limpieza!

Utilice siempre equipos de protección como guantes y protectores para los ojos para reducir el riesgo de lesiones al utilizar esta unidad.

¡Realice los trabajos de limpieza y mantenimiento conforme a estas instrucciones únicamente! Cualquier otro trabajo debe ser realizado por un especialista cualificado.

Cuando realice el mantenimiento, use sólo piezas de repuesto idénticas. El uso de cualquier otro accesorio o aditamento puede aumentar el riesgo de lesiones.

REEMPLAZO DE LA CADENA DE SIERRA Y LA BARRA GUÍA



ADVERTENCIA:

Cuando manipule cadenas de sierra, siempre use guantes de protección.

Reemplace la cadena cuando los cortadores estén demasiado desgastados para afilarse o cuando la cadena se rompa. Sólo use la cadena de reemplazo mencionada en este manual. NO use ninguna otra combinación de barra/cadena.

Siempre incluya un nuevo piñón accionador cuando reemplace la cadena. Esto mantendrá al correcto accionamiento de la cadena.

1. Coloque el cuerpo de la sierra de pértiga sobre una superficie firme y nivelada.
2. Afloje la tuerca de la tapa del piñón para quitar la cubierta del piñón de la cadena.
3. Con guantes de protección, retire la cadena de la sierra o la barra guía rotas.
4. Enrolle la nueva cadena de sierra alrededor de la nueva barra guía, asegurándose de que los dientes apunten en la dirección de rotación. La cadena debe configurarse correctamente en la ranura que se extiende a lo largo de todo el borde exterior de la barra de la cadena.
5. Enrolle la cadena de la sierra alrededor del piñón y ubique la barra guía haciendo coincidir su orificio con el perno de fijación de la sierra.
6. Coloque la tapa de la rueda dentada en el lugar original.
7. Atornille la tuerca de la tapa de la rueda dentada, pero

no ajuste.

8. Ajuste la tensión de la cadena según el capítulo "AJUSTE DE LA TENSIÓN DE LA CADENA DE LA SIERRA".
9. Ajuste completamente la tuerca de la cubierta del piñón para fijar la cubierta del piñón.
10. Verifique el movimiento suave de la cadena de la sierra.

AFILADO DE LA CADENA DE SIERRA

Mantenga la cadena afilada. Su sierra cortará de manera más eficiente y segura. Una cadena sin filo causará un desgaste indebido del piñón, la barra guía y el motor. No fuerce la cadena en la madera para evitar que se desafilé.



NOTA:

No afíle la cadena de la sierra usted mismo a menos que tenga experiencia haciéndolo. Se recomienda hacer afilar la sierra de pértiga por un servicio autorizado.



ADVERTENCIA:

Apague y retire el paquete de baterías antes de realizar el mantenimiento. Los bordes de corte de la cadena son filosos. Use guantes protectores cuando manipule la cadena.

Para afilar la cadena:

1. Usando guantes de protección, asegúrese que la cadena esté correctamente tensionada en la barra guía.
 2. Use una lima redonda con un diámetro 1.1 veces la profundidad del diente de corte. Asegúrese que el 20% del diámetro de la lima esté por encima de la placa superior del cortador (Fig. 19).
 3. Lime en un ángulo perpendicular a la barra y en un ángulo de 25° con respecto a la dirección de recorrido (Fig. 20).
 4. Lime cada diente solamente desde dentro hacia fuera. Lime un lado de la cadena primero y luego volteé la sierra y repita el proceso.
- Afíle cada diente de igual manera usando el mismo número de pases.
 - Mantenga todas las longitudes de corte iguales. Cada vez que el tipo de corte se alinee, la longitud de corte se reduce. Cuando la longitud de corte se reduce a 0.16 pulgadas (4 mm), la cadena se desgasta y debe reemplazarse.
 - La configuración del calibre de profundidad también se reduce con cada afilado. Cada 5 afilados usa una herra-

mienta de medición del calibre de profundidad para verificar la altura entre la punta de corte y el reborde. Cuando sea necesario, use una lima plana para reducir el reborde y alcanzar la configuración del calibre de profundidad de 0.64 cm. Las herramientas de medición del calibre de profundidad se encuentran disponibles en la mayoría de los minoristas de sierras de pértiga (Fig. 21).

- Si la sierra no está funcionando correctamente, llévela donde un centro de servicios de sierras de pértiga calificado para que la inspeccionen. Use solamente piezas idénticas a las que se mencionan en este manual.

LIMPIEZA

- Quite los desechos de la cadena de la sierra y la barra guía.
- Siempre limpie las virutas de madera, el polvo de sierra y la suciedad de la ranura de la barra guía cuando reemplace la cadena.
- Asegúrese de que el engranaje tensor de la cadena esté libre de virutas de madera y otros desechos.
- Utilice un cepillo pequeño para limpiar el exterior de la unidad.
- Limpie el cabezal de potencia con un paño limpio humedecido con una solución de jabón suave. Nunca use limpiadores fuertes o solventes.
- Retire las astillas de madera y otros desechos de las rejillas de ventilación.
- Limpie los contactos sucios con un paño suave y seco. La suciedad o el aceite pueden causar una mala conexión eléctrica, lo que resulta en una pérdida de energía.

TRANSPORTE

- Retire el paquete de baterías de la sierra de pértiga.
- Limpie el producto de la manera antes mencionada.
- Instale una cubierta para la barra guía.
- Siempre transporte el producto sujetándolo por las asas.
- Proteja el producto contra cualquier impacto o vibración intensa que pueda ocurrir durante el transporte en un vehículo.
- Asegure el producto para evitar que este resbale o se caiga y para evitar daños o lesiones.

ALMACENAMIENTO

- Retire el paquete de baterías de la sierra de pértiga.
- Limpie el producto de la manera antes mencionada.
- Guarde el producto y sus accesorios en un lugar oscuro, seco, libre de heladas y bien ventilado.
- Guarde siempre el producto en un lugar que no esté accesible a los niños.
- Recomendamos el uso del paquete original para guardar o tapar el producto con un paño o caja para protegerlo del polvo.



NOTA:

Para prolongar la vida útil de la batería, nunca guarde el paquete de la batería en una condición completamente descargada. Asegúrese que el paquete de la batería se cargue una vez al año o cuando el indicador LED muestre solo una luz.

ELIMINACIÓN

El producto residual no se debe eliminar con los residuos domésticos. Reciclelos en las instalaciones disponibles. Consulte a sus autoridades locales o al minorista para asesorarse sobre el reciclaje.

Durante la operación, el aparato podría cortar ramas de árbol; los usuarios deberían limpiar estas piezas para proteger el medio ambiente.



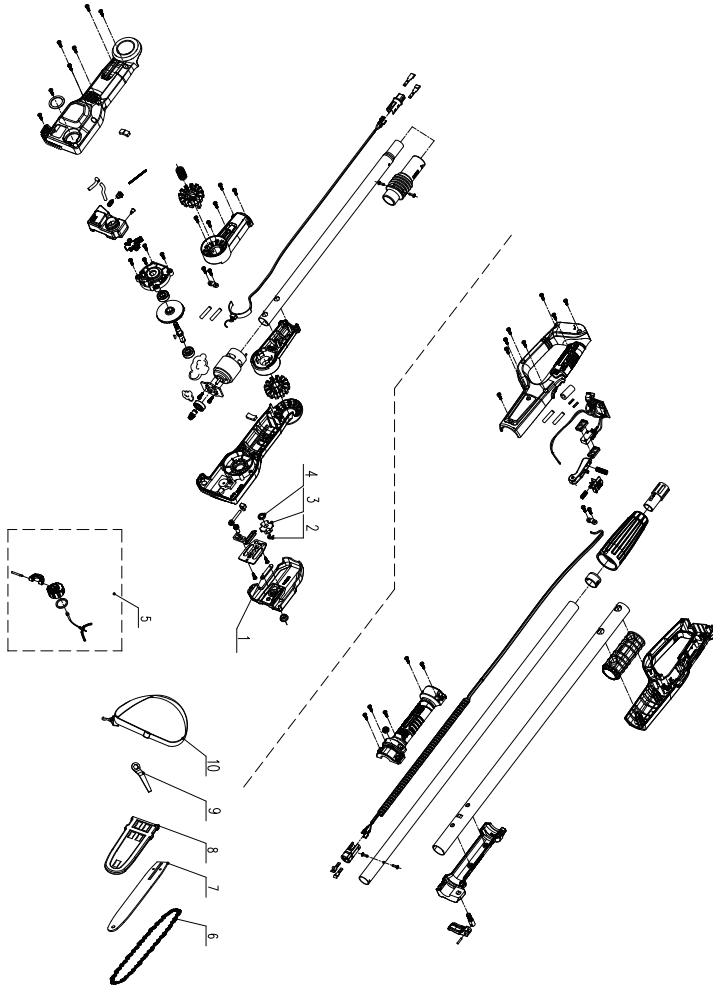
Los productos eléctricos no deben desecharse con los productos domésticos. Los productos eléctricos usados deben recogerse por separado y eliminarse en los puntos de recogida previstos a tal efecto. Consulte con sus autoridades locales o con el distribuidor para asesorarse sobre el reciclaje.

SOLUCIÓN DE PROBLEMAS

Las sospechas de mal funcionamiento a menudo se deben a causas que el usuario puede corregir por sí mismo. Por tanto, use esta sección para verificar el producto. En la mayoría de los casos el problema se puede resolver rápidamente.

PROBLEMA	POSIBLE CAUSA	SOLUCIÓN
El producto no se enciende	El paquete de batería no está correctamente acoplado	Fíjelo correctamente
	La capacidad del paquete de batería es demasiado baja	Retire y cargue el paquete de batería
	Paquete de batería dañado	Llévelo con un eléctrico especialista para que lo cheque
	El interruptor de seguridad no está encendido	Consulte el capítulo "APAGAR Y ENCENDER"
El producto no alcanza su potencia total	La capacidad del paquete de batería es demasiado baja	Cargue el paquete de batería
	Las salidas de ventilación están bloqueadas	Limpie las salidas de ventilación
El resultado no es satisfactorio	El accesorio de corte está desgastado	Cámbielo por uno nuevo
La vibración o el ruido son excesivos	Los pernos o las tuercas están flojos	Apriete los pernos o las tuercas
El producto se detiene de repente	La capacidad del paquete de batería es demasiado baja	Retire y cargue el paquete de batería
	La batería se sobrecalentó	Retire el paquete de batería y deje que se enfríe

PIEZAS



N.º	Piezas #	Descripción	Cant.
1	8208-438801-00	Anillo sellador de la cubierta del piñón	1
2	8CE-07B	Anillo de retención tipo E	1
3	8128-462202-00	Piñón	1
4	F022009-019-00	Funda del eje	1
5	199123000462	Ensamblaje de la tapa del tanque de combustible	1
6	201001000043	Cadena de la sierra	1
7	199140000085	Barra guía	1
8	9331-T10701-0000010	Cubierta de la barra guía	1
9	8261-463101-00	Llave inglesa	1
10	8214-430802-00	Arnés	1

GARANTÍA

GARANTÍA LIMITADA

Garantía limitada de 5 años en todos los equipos alimentados por batería para exteriores de la serie Senix X2. Garantía limitada de 3 años en todas las baterías y cargadores Senix X2.*

DURANTE CINCO AÑOS a partir de la fecha original de compra minorista, este producto Senix está garantizado contra defectos en materiales o mano de obra en herramientas eléctricas. El producto defectuoso recibirá reparación gratuita.*

DURANTE TRES AÑOS a partir de la fecha original de compra minorista, este producto Senix está garantizado contra defectos de materiales o mano de obra en baterías y cargadores. El producto defectuoso recibirá reparación gratuita.*

La presente garantía no cubre el desgaste normal de las partes y los componentes, como la cadena de corte, la línea o las hojas ni tampoco cubre esta garantía el costo de transporte del producto para garantía o servicio.

La garantía está sujeta a las siguientes condiciones:

- La garantía se aplica al comprador original en comercio minorista y no es transferible*
- Registro de garantía en www.senixtools.com
- La herramienta no se ha sometido a uso incorrecto, abuso, negligencia, alteración o modificación y no ha sido reparada fuera de un centro de servicio autorizado
- Solo se han utilizado accesorios originales de Senix con o en este producto
- La herramienta presenta un desgaste normal
- La herramienta no se ha utilizado con fines comerciales o profesionales
- La herramienta no se ha utilizado con fines de alquiler
- Esta garantía solo cubre defectos que ocurran bajo el uso normal y no cubre casos de mal funcionamiento, fallo o defecto que emanen de un uso incorrecto, abuso (incluyendo sobrecarga del producto, exposición al agua o la lluvia), accidentes, negligencia e instalación, mantenimiento o almacenamiento inadecuados.

Para localizar a su proveedor de servicios de Senix más cercano, llame gratis al 800-261-3981 o envíenos un correo electrónico a service@senixtools.com.

Limitaciones adicionales

Cualquier garantía implícita otorgada en virtud de las leyes estatales, incluidas las garantías de comerciabilidad o idoneidad para un propósito particular, se limita a tres años a partir de la fecha de compra para herramientas eléctricas y cargadores y siete años para baterías. El fabricante no asume ninguna responsabilidad por daños directos, indirectos, incidentales o consecuentes. Algunos estados y provincias no permiten limitaciones en cuanto a la duración de una garantía implícita o no permiten la exclusión o limitación de daños incidentales, por lo que es posible que las limitaciones y exclusiones anteriores no se apliquen a usted. Esta garantía le otorga derechos legales específicos, y usted también puede tener otros derechos que varían de un estado a otro o de una provincia a otra.

YAT USA no asume ninguna responsabilidad con respecto a la responsabilidad civil que emane de un uso abusivo o no conforme al uso y mantenimiento adecuados de la máquina, descritos en el manual del operador.

YAT USA no asume ninguna responsabilidad por daños directos, indirectos, incidentales o consecuentes.

Después de la compra, el fabricante recomienda el mantenimiento adecuado de la máquina y leer el manual del operador antes de utilizar la máquina.

*Se puede exigir un recibo de compra original como justificante de compra

Para acceder al servicio de atención al cliente, póngase en contacto con nosotros llamando al número gratuito 1-800-261-3981 o visitando Senixtools.com.

10506 Bryton Corporate Center Dr, #500 Huntersville, NC 28078

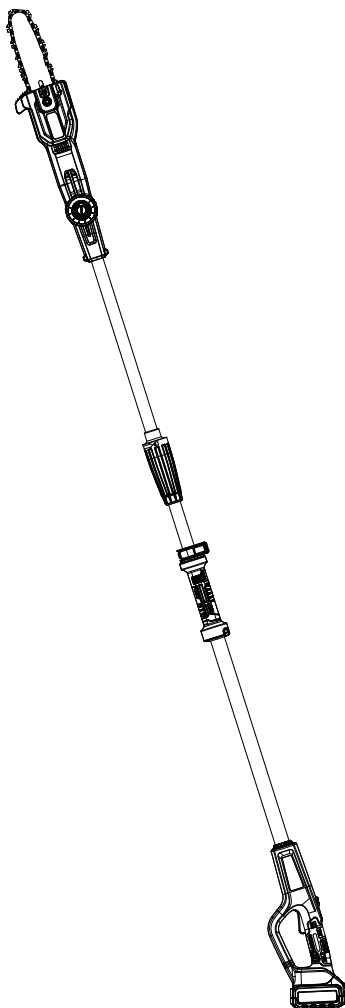


20 V MAX AU LITHIUM-ION SCIE ÉLAGUEUSE À PERCHE SANS FIL

Manuel d'instructions

Modèle : CSPX2-M

CSPX2-M-0

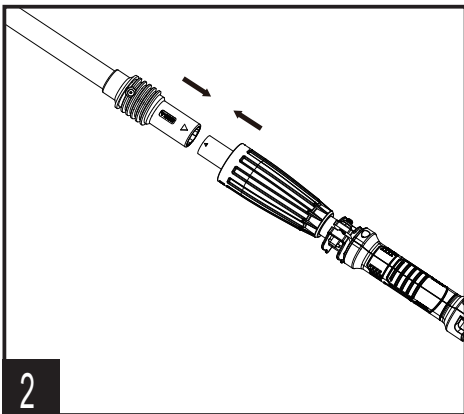
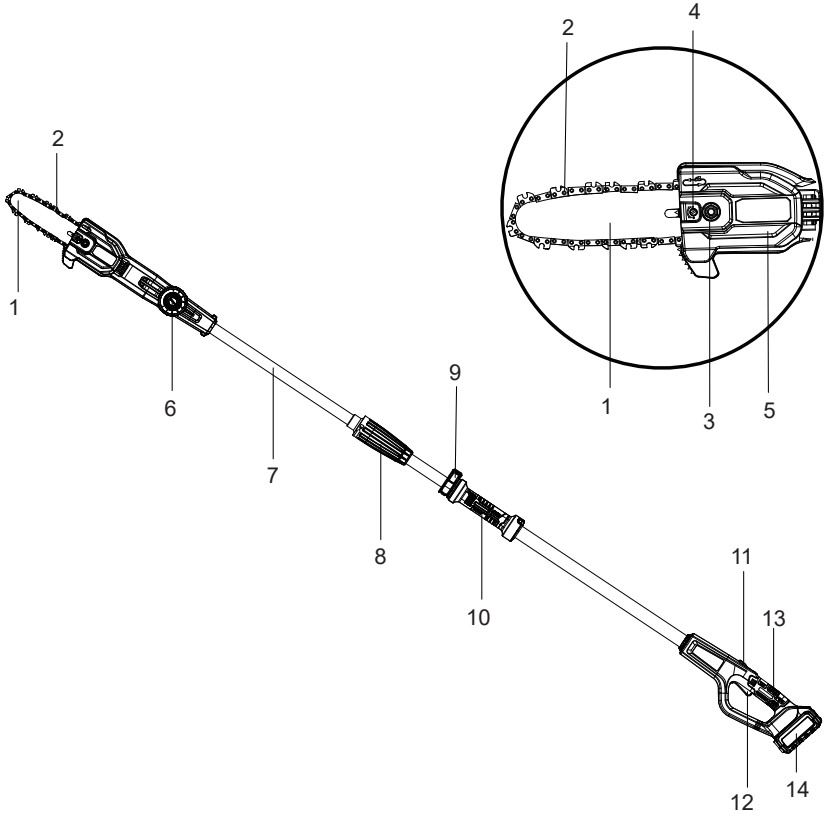


Pour obtenir une assistance à la clientèle, veuillez appeler le 1-800-261-3981 ou envoyer un e-mail à :
Service@senixtools.com

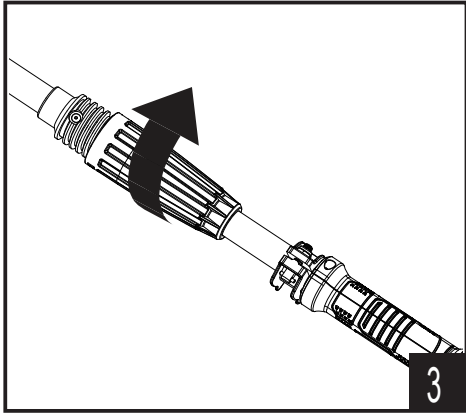
CONSERVEZ CE MANUEL POUR TOUTE CONSULTATION ULTÉRIEURE.

INSTRUCTIONS ORIGINALES

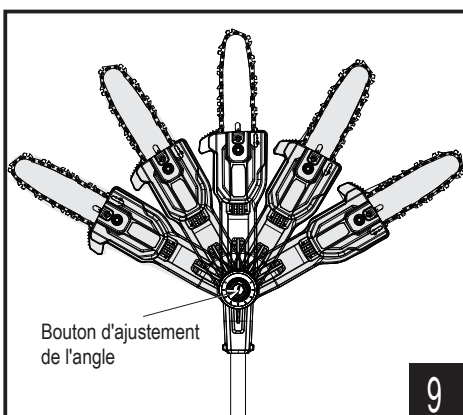
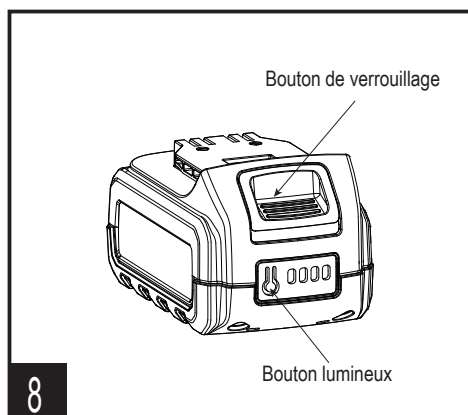
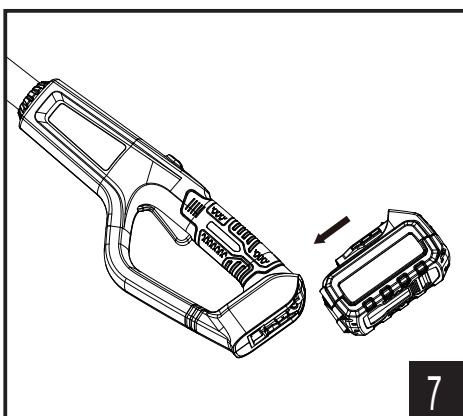
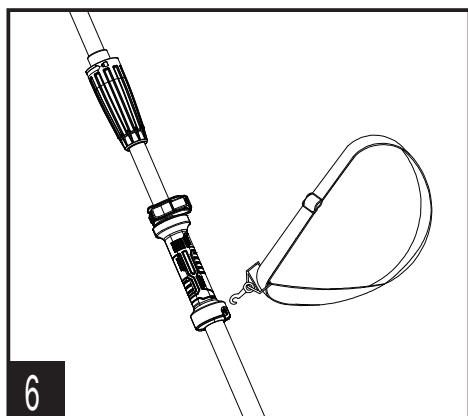
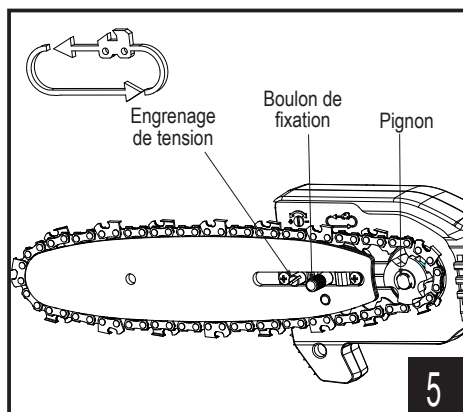
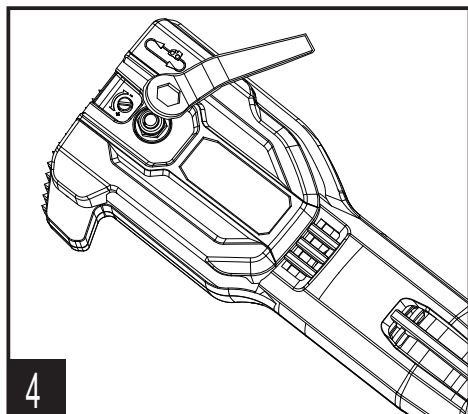
1

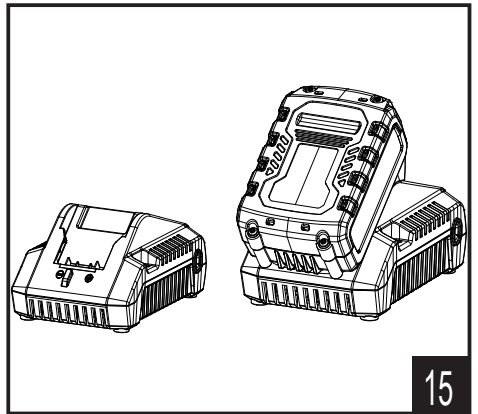
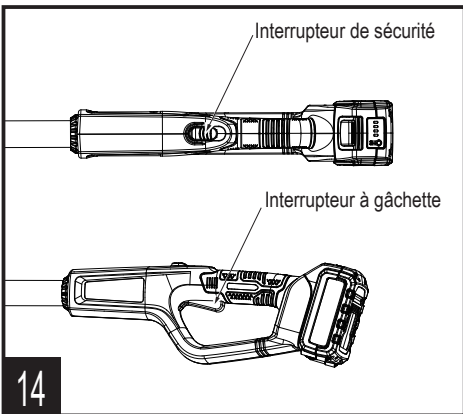
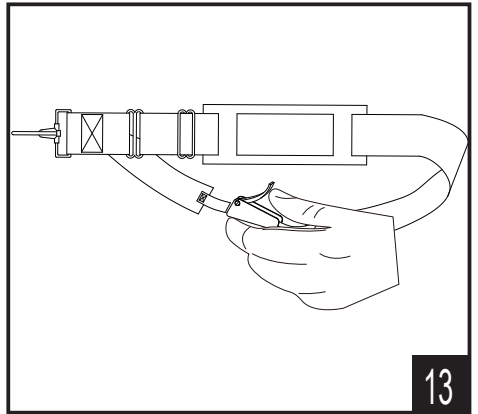
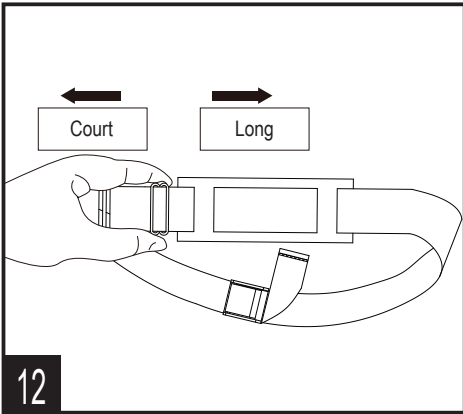
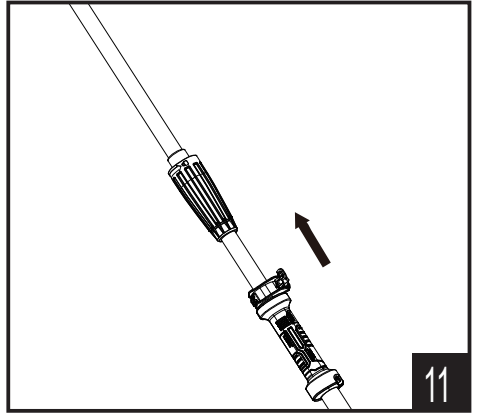
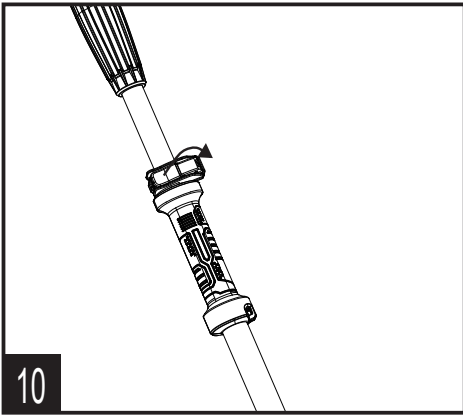


2



3





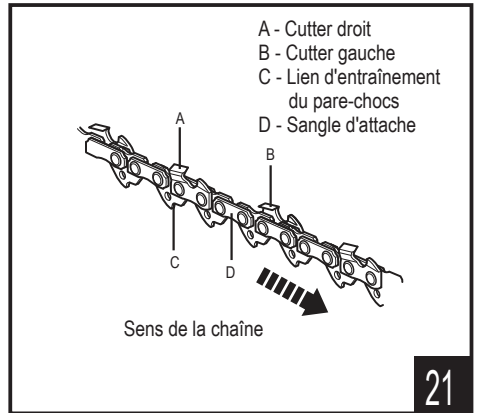
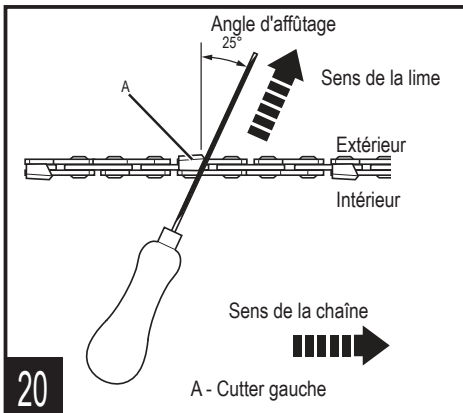
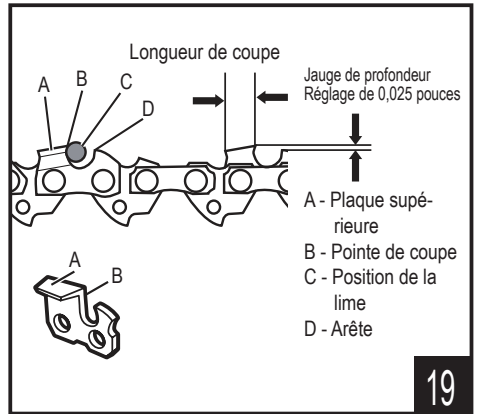
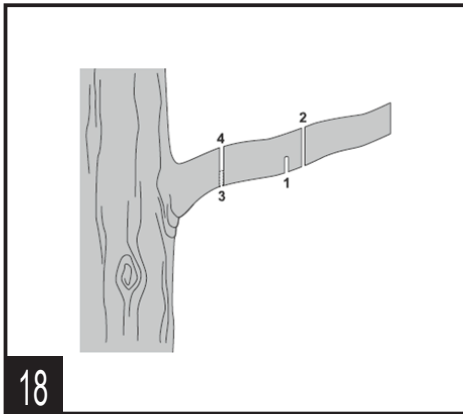
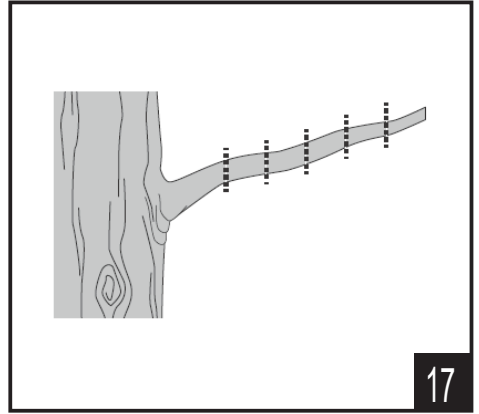
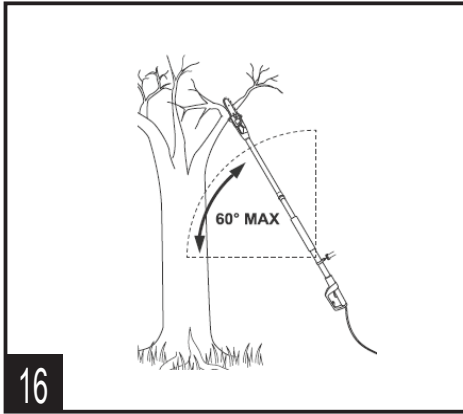


TABLE DES MATIÈRES

SÉCURITÉ ET SYMBOLES INTERNATIONAUX.....	56
INSTRUCTIONS DE SÉCURITÉ	57
DESCRIPTION DE VOTRE APPAREIL.....	66
SPÉCIFICATIONS*	66
ASSEMBLAGE	67
FONCTIONNEMENT.....	68
ENTRETIEN	72
GUIDE DE DÉPANNAGE	74
PIÈCES	75
GARANTIE	76

SÉCURITÉ ET SYMBOLES INTERNATIONAUX

L'explication des symboles de sécurité et internationaux décrit les symboles et pictogrammes de sécurité et internationaux susceptibles d'apparaître sur ce produit. Lisez le manuel de l'utilisateur pour obtenir des informations complètes sur la sécurité, l'assemblage, le fonctionnement, l'entretien et les réparations.



Attention / Avertissement.



Pour réduire le risque de blessures, l'utilisateur doit lire le manuel d'instructions.



Portez des vêtements de protection bien ajustés.



Portez des gants de protection.



Portez des chaussures solides et antidérapantes.



Portez toujours des lunettes de protection, des protections auditives et une protections sur la tête conformes aux normes ANSI Z87.1.



DANGER – Gardez les mains et les pieds éloignés de la lame.



DANGER !

Risque d'électrocution !



Utilisation en intérieur uniquement. Utilisez le chargeur de batterie uniquement à l'intérieur.



Le contact de la pointe peut entraîner le déplacement soudain de la barre de guidage vers le haut et l'arrière, ce qui peut causer des blessures graves.



Gardez les passants à une distance sécuritaire de la zone de travail.



N'utilisez pas ce produit sous la pluie ou dans des conditions humides.



Ne jetez pas les blocs-piles dans les rivières et ne les plongez pas dans l'eau.



Ne jetez pas les batteries dans un feu. Elles pourraient exploser et causer des blessures.



Utilisez et stockez la batterie à une température inférieure à 122°F (50°C).



Ne démontez pas la batterie, ne l'écrasez pas, ne la chauffez pas à une température supérieure à 212°F (100°C) ; n'exposez jamais la batterie aux micro-ondes ou à des pressions élevées.

INSTRUCTIONS DE SÉCURITÉ

Tous les opérateurs doivent lire ces instructions avant utilisation.

Conformez-vous toujours aux règles élémentaires de sécurité. Faute de quoi, vous vous exposeriez à des blessures graves voire mortelles.

! DANGER !

Cela indique une situation dangereuse qui, si elle n'est pas suivie, pourrait causer des blessures graves ou la mort.

! AVERTISSEMENT !

Cela indique une situation dangereuse qui, si elle n'est pas suivie, pourrait entraîner des blessures graves ou la mort.

! ATTENTION !

Cela indique une situation dangereuse qui, si elle n'est pas suivie, pourrait entraîner des blessures mineures ou modérées.

CONSIGNES DE SÉCURITÉ GÉNÉRALES POUR UTILISER L'OUTIL ÉLECTRIQUE

! AVERTISSEMENT !

Lors de l'utilisation d'outils de jardin sans fil, des précautions de sécurité de base doivent toujours être suivies pour réduire le risque d'incendie, de

choc électrique et de blessure corporelle, y compris les suivantes :

1. Maintenez les protections en place – Les protections doivent être vérifiées périodiquement pour s'assurer qu'elles sont correctement installées et en bon état de fonctionnement.
2. Gardez la zone de travail propre et bien éclairée – Dégagez la zone de travail des branches et des morceaux de bois après chaque séance de coupe. Les zones encombrées sont propices aux accidents.
3. N'utilisez pas ce produit dans des environnements dangereux – N'utilisez pas d'outils électriques dans des endroits humides ou mouillés.
4. N'utilisez pas l'élagueuse à perche sous la pluie.
5. Éloignez les spectateurs et les enfants – Tous les spectateurs, y compris les enfants et les animaux domestiques, doivent être maintenus à une distance de sécurité de la zone de travail.
6. Ne forcez pas l'outil - Il fera le travail efficacement et en toute sécurité s'il est utilisé

- à la vitesse pour laquelle il a été conçu.
7. Utilisez le bon outil - Ne forcez pas l'outil ou un accessoire de l'outil à effectuer un travail pour lequel il n'a pas été conçu.
 8. Portez des vêtements appropriés – Ne portez pas de vêtements amples ou de bijoux car de tels articles peuvent se coincer dans les pièces mobiles. L'utilisation de gants en caoutchouc résistants, de chaussures antidérapantes et de vêtements ajustés est recommandée lorsque vous travaillez à l'extérieur avec des outils électriques.
 9. Portez un couvre-cheveux protecteur pour contenir les cheveux longs.
 10. Portez toujours des lunettes de sécurité et des protège-oreilles pour protéger les yeux et les oreilles. Les lunettes de tous les jours n'ont que des verres résistants aux chocs et n'offrent pas la même protection que les lunettes de sécurité.
 11. Portez des masques faciaux ou anti-poussière - Si l'opération de coupe est poussièreuse, l'utilisation d'un masque facial ou anti-poussière spécialement conçu pour filtrer les particules microscopiques est recommandée.
 12. Utilisez les accessoires recommandés – Consultez le manuel du propriétaire pour les accessoires recommandés. L'utilisation d'accessoires inappropriés peut entraîner un risque de blessure.
 13. Vérifiez les pièces endommagées – Avant chaque utilisation, réparez ou remplacez toute protection ou pièce endommagée. Vérifiez l'alignement des pièces mobiles, le mouvement des pièces mobiles, si des pièces sont cassées et toute autre condition qui pourrait affecter son utilisation.
 14. Ne laissez jamais l'outil sans surveillance pendant qu'il fonctionne – Coupez l'alimentation en retirant la batterie de l'appareil. Ne laissez pas la scie tant que la barre de coupe n'est pas complètement arrêtée.
 15. Ne saisissez pas la lame de coupe exposée ou les

bords coupants lorsque vous ramassez ou tenez la scie
- Assurez-vous d'enfermer la barre de coupe dans sa gaine de protection lorsqu'elle n'est pas utilisée.

16. Débranchez l'outil – Coupez l'interrupteur d'alimentation et retirez la batterie lorsqu'elle n'est pas utilisée, avant l'entretien, lors du transport ou lors du changement de chaîne ou d'autres accessoires.
17. Restez vigilant(e) - Restez attentif(ve) à ce que vous êtes en train de faire. Faites preuve de bon sens. N'utilisez pas la scie élagueuse à perche lorsque vous êtes fatigué(e).
18. Rangez l'outil en intérieur
- Lorsqu'ils ne sont pas utilisés, les appareils doivent être entreposés à l'intérieur, dans un endroit sec et élevé ou fermé à clé, hors de portée des enfants.

AVERTISSEMENTS POUR TOUS LES APPAREILS FONCTIONNANT SUR BATTERIE

1. Évitez tout démarrage accidentel. Assurez-vous que l'interrupteur d'alimentation est en position d'arrêt avant de brancher le bloc-piles, de ramasser ou de transporter l'appareil. Le transport de l'appareil avec le doigt sur l'interrupteur d'alimentation ou la mise sous tension de l'appareil dont l'interrupteur d'alimentation est en marche sont propices aux accidents.
2. Assurez-vous que l'interrupteur d'alimentation est éteint et que le bloc-piles est retiré avant de dégager le matériel coincé, d'effectuer des réglages, de changer les accessoires, de ranger ou de réparer l'appareil. L'actionnement inattendu de l'appareil lors du déblocage du matériel coincé ou de l'entretien peut entraîner des blessures graves.
3. Rechargez uniquement avec le chargeur spécifié par le fabricant. Un chargeur adapté à un type de batterie peut créer un risque d'incendie lorsqu'il est utilisé avec une autre batterie.
4. N'utilisez les outils électriques qu'avec les blocs de batteries spécifiquement dé-

signés. L'utilisation de toute autre batterie peut créer un risque de blessures et d'incendie.

5. Lorsque la batterie n'est pas utilisée, elle doit être rangée loin de tout objet métallique, tel que trombone, pièce de monnaie, clef, clou, vis et tout autre petit objet métallique qui risquerait de mettre en contact ses bornes. La mise en court-circuit des bornes de la batterie peut provoquer des brûlures ou un incendie.
6. Dans des conditions abusives, un liquide peut être éjecté de la batterie ; évitez tout contact. En cas de contact accidentel, rincez à grande eau. En cas de contact avec les yeux, vous devez en outre consulter un médecin. Le liquide éjecté de la batterie peut provoquer des irritations ou des brûlures. (Ce conseil est considéré comme correct pour les types de cellules NiMh, NiCd, plomb-acide et lithium-ion classiques. Si ce conseil est incorrect pour une conception de

cellule qui diffère de ceux-ci, le conseil correct peut être remplacé.)

7. N'utilisez pas un bloc-piles ou un outil endommagé ou modifié. Les batteries endommagées ou modifiées peuvent présenter un comportement imprévisible entraînant un incendie, une explosion ou un risque de blessure.
8. N'exposez pas un bloc-piles ou un outil au feu ou à une température excessive. L'exposition au feu ou à une température supérieure à 130°C peut provoquer une explosion. La température de 130°C peut être remplacée par une température de 265°F.
9. Suivez toutes les instructions de charge et ne chargez pas le bloc-piles ou l'outil en dehors de la plage de température spécifiée dans les instructions. Une charge inadéquate ou à des températures hors de la plage spécifiée peut endommager la batterie et augmenter le risque d'incendie.
10. Faire effectuer l'entretien

par un réparateur qualifié en utilisant uniquement des pièces de rechange identiques. Cela permettra de garantir le maintien de la sécurité du produit.

11. Ne modifiez pas ou n'essayez pas de réparer l'appareil ou la batterie (le cas échéant) sauf tel qu'indiqué dans les instructions d'utilisation et d'entretien.

AVERTISSEMENTS DE SÉCURITÉ CONCERNANT VOTRE SCIE ÉLAGUEUSE À PERCHE



AVERTISSEMENT !

Lisez tous les avertissements de sécurité et toutes les instructions. Le non-respect des consignes de sécurité et des instructions peut être à l'origine d'électrocutions, d'incendies et/ou de blessures graves.

Conservez tous les avertissements et les instructions pour pouvoir vous y référer ultérieurement.

Le terme « outil électrique » dans les avertissements fait référence à votre outil électrique à piles (sans fil).

1. Familiarisez-vous avec le fonctionnement de la scie élagueuse à perche et ap-

prenez à l'utiliser correctement.

2. Ne permettez jamais à d'autres (en particulier des enfants) qui n'ont pas lu le manuel d'utiliser la machine.
3. Ne retirez jamais les étiquettes ou les éléments de sécurité.
4. Vérifiez le niveau d'huile avant chaque utilisation de la scie élagueuse à perche. N'utilisez jamais la scie élagueuse à perche sans huile dans le réservoir ou lorsque la quantité d'huile est faible.
5. Assurez-vous que les poignées sont propres et sèches. Lorsque la scie élagueuse à perche est en marche, saisissez toujours fermement la poignée avant avec votre main gauche et la poignée arrière avec votre main droite.
6. N'utilisez pas la scie élagueuse à perche dans un environnement contenant des matériaux inflammables tels que des liquides, des gaz ou de la poussière. Les étincelles générées par le fonctionnement de la machine peuvent provoquer une explosion.

7. Ne vous tenez jamais directement sous la branche que vous sciez. Placez-vous toujours en dehors de la trajectoire des chutes de débris.
8. Commencez toujours à scier avec la chaîne mobile en marche.
9. Ne sciez jamais avec l'extrémité du guide-chaîne.
10. Pour vous protéger contre l'électrocution, n'utilisez pas la scie élagueuse à perche à moins de 15 m (50 pi) de câbles aériens. Le non-respect de cette instruction peut entraîner des blessures graves.
11. L'utilisation d'équipements électriques peut être réglementée. N'oubliez pas de respecter les réglementations légales qui peuvent différer d'un endroit à l'autre.

REBOND

ÉVITEZ TOUT CONTACT DE L'EXTRÉMITÉ DU GUIDE-CHAÎNE AVEC UN OBJET QUELCONQUE

Dans certains cas, le contact de l'extrémité du guide-chaîne avec un objet peut provoquer une réaction inverse rapide et un rebond du guide-chaîne vers le haut et vers

l'arrière, en direction de l'opérateur. Si la chaîne est pincée contre le bord supérieur du guide-chaîne, celui-ci peut être projeté brutalement vers l'opérateur. Chacune de ces réactions peut vous faire perdre le contrôle de l'outil et provoquer de graves blessures corporelles.

- Les dispositifs de sécurité contre le rebond de cette scie élagueuse à perche sans fil comprennent une chaîne sauteuse et un guide-chaîne à faible rebond. Ils réduisent, mais n'empêchent pas entièrement, les rebonds. Suivez les précautions nécessaires indiquées dans ce manuel d'utilisation pour éviter les rebonds.
- Utilisez toujours les deux mains lorsque vous utilisez la scie élagueuse à perche, une main tenant la gâchette et l'autre main tenant la perche. Utilisez une prise ferme. Les pouces et les doigts doivent s'enrouler autour de la gâchette et de la perche.
- Gardez toutes les protections en place sur la scie élagueuse à perche. Assurez-vous qu'ils sont en bon état de fonctionnement.

- Ne vous penchez pas trop et ne tendez pas les bras au-dessus de la hauteur des épaules.
- Gardez une assise et un équilibre solides à tout moment.
- N'essayez jamais de couper deux branches en même temps. Coupez une seule branche à la fois.
- N'enterrez pas le nez du guide-chaîne et n'essayez pas de couper en perçant le nez du guide-chaîne dans le bois.
- Faites attention au déplacement du bois ou à d'autres forces qui pourraient pincer la chaîne.
- Soyez extrêmement prudent(e) quand vous entrez à nouveau la scie dans une ligne de coupe antérieure.
- Utilisez la chaîne à faible rebond et le guide-chaîne fournis avec cette scie élagueuse à perche. N'utilisez que des pièces de rechange d'origine conçues spécifiquement pour être utilisées avec cette scie élagueuse à perche.
- N'utilisez jamais de chaîne émoussée ou lâche. Gardez la chaîne affûtée avec une tension appropriée.

CONSIGNES DE SÉCURITÉ CONCERNANT LA BATTERIE

- Vérifiez que l'interrupteur marche / arrêt de l'outil est en position d'arrêt avant d'insérer la batterie. L'insertion de la batterie dans un outil qui a un interrupteur peut provoquer des accidents.
- N'utilisez que des batteries d'origine conçues spécifiquement pour cette machine. L'utilisation de toute autre batterie peut créer un risque de blessures et d'incendie.
- N'ouvrez pas la batterie. Danger de court-circuit.
- Protégez la batterie contre la chaleur (par exemple, contre les rayons intenses du soleil et le feu), l'eau et l'humidité. Risque d'explosion.
- En cas de dommage et d'utilisation incorrecte de la batterie, des vapeurs peuvent être émises. Ventilez la zone et consultez un médecin en cas de gêne. Les vapeurs peuvent irriter le système respiratoire.
- Utilisez la batterie uniquement avec ce produit et / ou la même famille de produits. Cette mesure seule protège

la batterie contre les surcharges dangereuses.

- La batterie peut être endommagée par des objets pointus tels que des clous ou des tournevis ou par une force appliquée de l'extérieur. Un court-circuit interne peut se produire et la batterie peut brûler, fumer, exploser ou surchauffer.
- Ne provoquez pas de court-circuit sur la batterie. Cela pourrait causer un risque d'explosion.
- Stockez et utilisez la batterie uniquement dans une plage de température comprise entre -4 °F (-20 °C) et 77 °F (25 °C). Par exemple, ne laissez pas la batterie dans la voiture en été.
- Nettoyez de temps en temps les fentes d'aération et les broches de contact de la batterie à l'aide d'une brosse douce, propre et sèche.

CONSIGNES DE SÉCURITÉ CONCERNANT LE CHARGEUR DE BATTERIE

Lisez toutes les instructions de sécurité et de fonctionnement avant d'utiliser le chargeur. Cet appareil

est conçu pour un usage en intérieur uniquement.

- Cet appareil n'est pas destiné à être utilisé par des enfants et des personnes ayant des limitations physiques, sensorielles ou mentales ou manquant d'expérience ou de connaissances. Cet appareil peut être utilisé par des enfants de plus de 8 ans et par des personnes dont les capacités physiques, sensorielles ou mentales sont réduites, ou des personnes dénuées d'expérience ou de connaissance, si elles ont pu bénéficier, par l'intermédiaire d'une personne responsable de leur sécurité, d'une surveillance ou d'instructions préalables concernant l'utilisation de l'appareil. Les enfants ne doivent pas jouer avec cet appareil. Le nettoyage et l'entretien par l'utilisateur ne doivent pas être effectués par des enfants sans supervision.
- Le câble d'alimentation ne peut pas être remplacé. Si le câble est endommagé, il convient de mettre l'appareil au rebut.

- Ne chargez la batterie lithium-ion que comme indiqué dans ce manuel d'instructions. Les piles non rechargeables ne doivent pas être rechargées.
- La batterie et le chargeur doivent être placés dans un endroit bien ventilé.
- Si le câble d'alimentation est endommagé, il doit être remplacé par le fabricant, par un de ses représentants ou par une personne de qualification similaire afin d'éviter tout accident.
- N'utilisez pas le chargeur de batterie sur des surfaces facilement inflammables (par exemple, du papier, des textiles, etc.) ou à proximité. Le chauffage du chargeur de batterie pendant le processus de charge peut présenter un risque d'incendie.
- Ne couvrez pas les fentes de ventilation du chargeur de batterie. Sinon, le chargeur de batterie pourrait surchauffer et ne plus fonctionner correctement.

URGENCE

À l'aide du présent mode d'emploi, familiarisez-vous avec l'utilisation de cet appareil. Mémorisez les consignes de sécurité et suivez-les à la lettre. Cela vous permettra de prévenir les risques et les dangers.

- Soyez toujours vigilant(e) lorsque vous utilisez ce produit, afin de pouvoir reconnaître et traiter les risques à temps. Une intervention rapide peut permettre d'éviter des blessures graves et des dommages matériels.
- Éteignez le produit et retirez la batterie en cas de dysfonctionnement. Faites examiner l'outil par un professionnel qualifié et faites-le réparer si nécessaire, avant de le réutiliser.

DESCRIPTION DE VOTRE AP-PAREIL

APPLICATIONS

Modèle : CSPX2-M

Comme scie à perche :

Coupe de branches d'une épaisseur de 6,4 pouces au maximum

1	Guide-chaîne
2	Chaîne
3	Écrou de couvercle de pignon
4	Engrenage de tension
5	Couvercle du pignon
6	Bouton d'ajustement de l'angle
7	Perche
8	Manchon de connexion
9	Clip de verrouillage télescopique
10	Poignée avant
11	Interrupteur de sécurité
12	Interrupteur à gâchette
13	Poignée arrière
14	Batterie



REMARQUE :

Le CSPX2-M-0 n'inclut pas le chargeur et la batterie.

SPÉCIFICATIONS*

Modèle	CSPX2-M	
Tension nominale	18 V CC	
Vitesse à vide	3480 tr/min	
Capacité du réservoir d'huile	2,05 onces	
Vitesse de la chaîne	5,2 m/s	
Longueur de la barre de guidage	8 pouces	
Longueur de repli max.	8 pieds	
Longueur maximale de coupe	7 pouces	
Poids (sans batterie)	6,6 livres	
Modèle de batterie pour l'option	B25X2	B50X2
Tension nominale	18 V	18 V
Capacité nominale	2,5 Ah	5,0 Ah
Poids	0,74 livre	1,43 livres
Modèle de chargeur	CHX2	
Entrée nominale	100-240 V ~ 50/60 Hz	
Puissance nominale	21 V, 2000 mA	
Temps de charge (avec batterie de 2,5 Ah)	85 minutes	
Temps de charge (avec batterie de 5,0 Ah)	130 minutes	
Classe de protection (pour chargeur)	/ II	
Poids	0,75 livre	

Modèle	CSPX2-M-0
Tension nominale	18 V CC
Vitesse à vide	3480 tr/min
Capacité du réservoir d'huile	2,05 onces
Vitesse de la chaîne	5,2 m/s
Longueur de la barre de guidage	8 pouces
Longueur de repli max.	8 pieds
Longueur maximale de coupe	7 pouces
Poids (sans batterie)	6,6 livres
Modèle de batterie	Non inclus
Modèle de chargeur	Non inclus

ASSEMBLAGE

1. Déballez toutes les pièces et posez-les sur une surface plane et stable.
2. Retirez tous les matériaux d'emballage et les dispositifs d'expédition, le cas échéant.
3. L'étendue de la livraison varie en fonction du pays et de la variante achetée :
Modèle de CSPX2-M-0
 - Élagueuse à perche x 1
 - Manuel d'instructions x 1
 - Barre de guidage x 1
 - Couvercle de barre de guidage x 1
 - Chaîne de scie x 1
 - Clé x 1
 - Harnais x 1
4. Si vous constatez que des pièces sont manquantes ou présentent des dommages, n'utilisez pas le produit mais contactez votre revendeur. L'utilisation d'un produit incomplet ou endommagé représente un danger pour les personnes et les biens.
5. Assurez-vous que vous disposez de tous les accessoires et outils nécessaires à l'assemblage et à l'utilisation. Cela comprend également un équipement de protection individuelle approprié.



REMARQUE :

Le CSPX2-M comprend le chargeur et la batterie.
Le CSPX2-M-0 n'inclut pas le chargeur ni la batterie.



AVERTISSEMENT :



Portez des gants de protection pour ce travail d'assemblage et posez toujours le produit sur une surface plane et stable lors de l'assemblage.



Suivez les instructions de montage étape par étape et utilisez les images fournies comme guide visuel pour assembler facilement le produit !

N'insérez pas la batterie avant que l'outil électrique ne soit complètement assemblé ou réglé !

RACCORDEMENT DE LA PERCHE AVANT ET DE LA PERCHE ARRIÈRE

1. Alignez les flèches marquées sur la perche arrière et la perche avant, puis insérez-les pour les raccorder (schéma 2).

2. Tournez le manchon de raccordement dans le sens des aiguilles d'une montre pour renforcer la connexion (schéma 3).
3. Vérifiez le jeu entre les deux pièces.

INSTALLATION DE LA CHAÎNE DE SCIE ET DU GUIDE-CHAÎNE



AVERTISSEMENT :

Éteignez et retirez la batterie avant d'installer la chaîne et le guide-chaîne.

1. Desserrez l'écrou du couvercle du pignon et détachez le couvercle du pignon de chaîne (schéma 4).
2. Enroulez la chaîne de scie jusqu'au bord extérieur du guide-chaîne. Assurez-vous que les dents de la chaîne sont coincées dans les fentes (schéma 5).



REMARQUE :

Assurez-vous que le sens de rotation de la chaîne est correct. Les lames de chaque maillon de coupe sur le côté supérieur du guide-chaîne doivent être orientées vers l'extrémité de l'élagueuse à perche.

3. Fixez le guide-chaîne et la chaîne de scie au produit. Enroulez la chaîne de scie autour du pignon et positionnez le guide-chaîne à l'aide du boulon de fixation sur la scie (schéma 5). Si le guide-chaîne et la chaîne de scie ne peuvent pas être montés sur le pignon d'entraînement, réglez légèrement le tendeur.
4. Tirez la chaîne autour du guide-chaîne avec votre main gantée ou à l'aide d'outils auxiliaires pour vous assurer qu'elle fonctionne correctement.
5. Remplacez le couvercle du pignon et vissez au préalable l'écrou du couvercle du pignon pour éviter que le guide-chaîne et la chaîne de scie ne tombent. Ne le serrez pas totalement (schéma 4).
6. Tournez le tendeur de chaîne de scie dans le sens des aiguilles d'une montre jusqu'à ce que la chaîne de scie puisse être soulevée de 2-3 mm du centre du guide-chaîne (schéma 5).
7. Serrez complètement l'écrou du couvercle du pignon pour fixer le couvercle du pignon.

INSTALLATION DU HARNAIS

Le harnais avec fonction de dégagement rapide peut être accroché à la poignée avant (schéma 6).

REPLISSAGE DE L'HUILE POUR LE GUIDE-CHAÎNE ET LA CHAÎNE



AVERTISSEMENT :

N'utilisez jamais l'élagueuse à perche sans huile de chaîne. L'utilisation de l'élagueuse à perche sans suffisamment d'huile pour chaîne endommagerait l'unité.

Cette scie à perche est expédiée sans guide ni huile pour chaîne dans le réservoir. Remplissez le réservoir d'huile pour la première utilisation et vérifiez le niveau d'huile avant chaque démarrage.

1. Placez l'élagueuse à perche sur une surface plane. Nettoyez la zone autour du bouchon du réservoir d'huile, puis ouvrez-le.
2. Remplissez soigneusement le réservoir d'huile avec de l'huile pour guide-chaîne et chaîne. Ce faisant, veillez à ce qu'aucune saleté ne pénètre dans le réservoir d'huile pour éviter le colmatage dans l'embout d'huile.
3. Fermez le bouchon du réservoir d'huile et essuyez l'huile résiduelle autour de l'ouverture.

INSTALLATION / RETRAIT DE LA BATTERIE

Pour installer la batterie :

Alignez et faites glisser la batterie sur le port d'amarrage de la scie à poteau jusqu'à ce qu'elle soit verrouillée en position (schéma 7).

Pour la retirer :

Appuyez sur le bouton de déverrouillage de la batterie et retirez le bloc-piles de la scie à perche (schéma 8).

FONCTIONNEMENT



AVERTISSEMENT :

Pour éviter des blessures graves, n'utilisez pas la scie à perche sans le guide-chaîne, la chaîne de scie et le couvercle du pignon correctement assemblés. N'essayez pas d'utiliser la scie à perche si une pièce est endommagée ou manquante.



AVERTISSEMENT :

Portez toujours des équipements de protection. Assurez-vous que la scie à perche est com-

plètement arrêtée lorsque vous effectuez des réglages.

RÉGLAGE DE LA TÊTE DE SCIE

L'angle de la tête de la scie peut être réglé de -60° à 60° en appuyant sur le bouton de réglage de l'angle. Cinq étapes (-60° , -30° , 0° , 30° , 60°) au total peuvent être atteintes (schéma 9).

Si vous souhaitez modifier l'angle de la tête de scie, éteignez le produit et retirez d'abord la batterie en cas de blessure.

Assurez-vous qu'il est fermement engagé une fois ajusté. Ne démarrez jamais la scie à perche dont la tête est débrayée.

RÉGLAGE DE LA LONGUEUR DE LA PERCHE

1. Déverrouillez le clip de verrouillage télescopique afin que la perche puisse s'étendre librement vers l'extérieur et l'intérieur (schéma 10).
2. Étendez la perche à la longueur désirée et verrouillez le clip de verrouillage télescopique pour la maintenir en place (schéma 11).
3. Afin d'éviter tout accident ou blessure, vérifiez l'étanchéité en tenant et en étirant les deux extrémités de la partie télescopique.
4. Si le clip de verrouillage télescopique verrouillé ne peut pas maintenir fermement le poteau. Le contre-écrou du levier de déverrouillage télescopique est censé être serré à l'aide d'une clé.

RÉGLAGE DE LA TENSION DE LA CHAÎNE DE SCIE



AVERTISSEMENT :

Après l'utilisation, la tension de la chaîne peut se relâcher. Ajustez la tension de la chaîne avant le prochain travail.

Si des ajustements sont nécessaires, desserrez légèrement l'écrou du couvercle de pignon. Il n'est pas nécessaire de retirer le couvercle du pignon. Réglez le tendeur de chaîne de scie à l'aide d'une clé.

Ne tendez pas trop la chaîne : cela entraînerait une usure excessive et réduirait la durée de vie du guide-chaîne et de la chaîne.

Fixez l'écrou du couvercle du pignon après le réglage.



REMARQUE :

La chaîne de la scie est correctement tendue si elle peut être soulevée d'environ 2-3 mm du centre du guide-chaîne.

AJUSTEMENT DU HARNAIS

Réglez le harnais à une longueur appropriée (schéma 12). Utilisez toujours le harnais pour porter le poids du produit sur votre épaule (du même côté de l'outil ou en travers de votre corps). Assurez-vous que la libération rapide est sur votre poitrine (PAS sur votre dos). Ouvrez la pince à dégagement rapide en cas d'urgence pour retirer le harnais rapidement (schéma 13).

MISE EN MARCHÉ / ARRÊT



AVERTISSEMENT :

Avant de commencer le travail, vous devez vérifier :

- Le port des équipements de protection.
- L'état du carter de la scie, de la chaîne de scie et du guide-chaîne.
- Le niveau du réservoir d'huile.
- La tension de la chaîne et l'état des lames.

Tenez le produit comme s'il était en état de marche. Pour démarrer le produit, continuez d'appuyer sur l'interrupteur de sécurité, puis appuyez sur la gâchette de l'interrupteur (schéma 14).

Pour éteindre le produit, relâchez simplement la gâchette.

CHARGE DE LA BATTERIE



AVERTISSEMENT :

Cette batterie au lithium-ion est expédiée partiellement chargée. Chargez complètement la batterie avant de l'utiliser pour la première fois.



REMARQUE :

Chargez les batteries à une température ambiante comprise entre 32 °F (0 °C) - 104 °F (40 °C).

1. Chargez la batterie au lithium-ion uniquement avec le chargeur approprié.
2. Connectez le chargeur à une source d'alimentation ; l'indicateur lumineux du chargeur devient rouge.
3. Alignez les nervures surélevées de la batterie avec la

fente du chargeur.

4. Insérez la batterie dans le chargeur, l'indicateur lumineux du chargeur devient vert et clignote (schéma 15).
5. Le chargeur communiquera avec la batterie pour évaluer le statut de charge de la batterie.
6. Une fois la batterie complètement chargée, les quatre indicateurs de la batterie s'allument. Débranchez l'alimentation électrique du chargeur. Retirez la batterie du chargeur.

INDICATEUR DE RECHARGE

Appuyez sur le bouton lumineux de la batterie pour vérifier si elle doit être rechargée (schéma 8).

Indicateurs lumineux			Statut
Éclairé	Désactivé	Clignotant	
			La batterie est à pleine capacité.
			La batterie est à 75% de sa capacité.
			La batterie a une capacité de 50% et doit être rechargée.
			La batterie a une capacité de 25% et doit être rechargée rapidement.
			La batterie a moins de 5% de capacité et nécessite une charge immédiate.



AVERTISSEMENT :

Des dysfonctionnements peuvent survenir lorsque les quatre indicateurs clignotent à tour de rôle.

PROTECTION CONTRE LA SURCHAUFFE

Lorsque l'outil / la batterie surchauffe, l'outil s'arrête auto-

matiquement. Dans cette situation, laissez l'outil électrique / la batterie refroidir avant de rallumer l'outil.

PROTECTION CONTRE LA SUR-DÉCHARGE

Lorsque la capacité de la batterie n'est pas suffisante, l'outil s'arrête automatiquement. Dans ce cas, retirez la batterie de l'outil et chargez-la.

MAINTIEN DE L'APPAREIL

- Placez-vous en position de travail debout et droit. Ne vous penchez pas.
- Gardez les pieds écartés et fermes sur le sol.
- Tenez la poignée du manche de la main droite. Gardez le bras droit légèrement plié.
- Tenez la poignée avec la main gauche. Gardez le bras gauche tendu.
- Tenez l'appareil au niveau de la taille.
- Positionnez la tête de coupe à quelques pouces du sol.
- Veillez à maintenir toutes les parties de votre corps éloignées du mécanisme de coupe en rotation et des surfaces chaudes.

MANIEMENT DE LA SCIE ÉLAGUEUSE À PERCHE

- Tenez la scie à perche avec les deux mains.
- Portez le harnais pour porter le poids pour maintenir un meilleur contrôle du produit.
- Saisissez complètement les deux poignées à tout moment pendant le fonctionnement. N'utilisez jamais la scie à perche avec une seule main.
- Tenez la scie à perche sur un angle maximal de 60° par rapport au niveau horizontal (schéma 16).
- Ne vous tenez jamais directement sous la branche que vous sciez. Les objets peuvent tomber différemment de ce qui est prévu. Placez-vous toujours hors de la trajectoire des branches qui tombent.
- Tenez les passants éloignés de l'extrémité coupante de l'outil électrique de jardin et à une distance sécuritaire de la zone de travail. Maintenez une distance minimale de 30 pieds avec les personnes présentes.
- Ne vous tenez pas debout sur une échelle ou un autre support lorsque vous utilisez une scie à perche. Maintenez toujours un ferme équilibre, et ayez toujours de bons appuis pendant le fonctionnement.
- Assurez-vous que le cordon d'alimentation est situé à l'arrière, loin de la chaîne et du bois, et qu'il est exempt de branches pendant la coupe.
- Tenez l'élagueuse à perche sur le côté de votre corps.
- N'utilisez pas la scie à perche avec les bras complé-

tement étendus et n'essayez pas de scier des zones difficiles d'accès.

- Maintenez une pression ferme et constante sur la scie à perche pendant le travail. N'essayez pas de forcer la scie à perche à travers le bois, laissez la chaîne faire le travail. Utilisez les dents de préhension pour appliquer une pression de levier minimale.
- Faites attention lorsque vous arrivez à la fin de la coupe : Le poids de la scie à perche peut changer de façon inattendue lorsqu'elle se détache du bois. Retirez toujours le produit d'une coupe de bois alors qu'il est en marche.

ÉVITER LE RISQUE DE REBOND DURANT L'UTILISATION

Le rebond se produit lorsque la chaîne (à l'extrémité du guide-chaîne) entre en contact avec une bûche ou du bois, ou lorsque la chaîne de la scie se coince, souvent lors d'un sciage de côté, de biais ou lors de coupes longitudinales.

Afin d'éviter les risques de rebond :

- Sciez avec le guide-chaîne à angle plat.
- Ne travaillez pas avec une chaîne lâche, trop tendue ou usée
- Affûtez régulièrement la chaîne.
- Ne sciez jamais avec l'extrémité du guide-chaîne.
- Tenez fermement la scie à perche avec les deux mains
- Utilisez toujours une chaîne à faible rebond.
- Veillez à ce que la tension de la chaîne soit correcte.

COUPE DE BRANCHES FINES

- Les branches fines peuvent être coupées en une seule fois.
 - Pour éviter que la branche ne s'éclate et ne se déforme, il faut la couper en plusieurs morceaux (schéma 17). Lors de la coupe de grosses branches, les quatre coupes suivantes sont nécessaires :
 - Coupez d'abord la branche par le bas, à l'extérieur de l'endroit où vous avez l'intention de couper la branche.
 - La coupe doit aller d'un tiers à la moitié de la branche (1) (schéma 18).
 - Coupez la branche par le haut en veillant à ce qu'elle soit à l'extérieur de l'endroit où la branche doit être sciée (2) (schéma 18).
 - Pour empêcher la souche et la branche de se briser, faites une contre-dépouille sous la branche (3) (schéma 18).
 - Enfin, coupez le bout restant d'un seul coup, de haut en bas.
- Si vous le souhaitez, scellez la coupe avec un composé approprié (4) (schéma 18).
- Une fois la coupe terminée, éteignez la scie à perche et débranchez son alimentation électrique après utilisation.

- Nettoyez puis rangez l'appareil à l'intérieur hors de portée des enfants.

TRAVAIL SÉCURISÉ



AVERTISSEMENT :

N'utilisez pas cet appareil à proximité de câbles électriques aériens. L'unité n'a pas été conçue pour fournir une protection contre les chocs électriques en cas de contact avec des lignes électriques aériennes. Consultez les réglementations locales pour connaître les distances de sécurité par rapport aux lignes électriques aériennes et assurez-vous que la position de fonctionnement est sûre et sécurisée avant d'utiliser l'outil.

- Avant de commencer le travail et après une chute ou d'autres chocs, inspectez la scie à perche afin d'identifier tout dommage important au boîtier, à la chaîne de scie et au guide-chaîne. N'utilisez jamais une machine manifestement endommagée.
- Avant de commencer le travail et régulièrement pendant le travail, vérifiez le niveau d'huile, le système de lubrification et la tension de la chaîne.
- Portez une protection auditive et des lunettes de protection et un casque de sécurité avec protection auditive intégrée et un masque facial. Cela offre une protection contre les branches qui tombent et les branches qui reculent.
- Afin d'assurer un travail en toute sécurité, un angle de travail maximum de 60° est prescrit.
- Ne vous tenez jamais sous la branche à scier.
- Soyez prudent(e) lorsque vous sciez des branches sous tension ou que vous fendez du bois.
- Risque potentiel de blessure en cas de chute de branches et de projectiles de bois volants !
- Lorsque la machine est en marche, éloignez les personnes et les animaux de la zone de travail.
- La machine n'est pas protégée contre les chocs électriques lorsqu'elle entre en contact avec des lignes à haute tension.
- Maintenez une distance minimale de 30 pieds (10 m) par rapport aux lignes électriques. Danger de mort par électrocution.
- Lorsque vous travaillez sur une pente, placez-vous toujours au-dessus ou sur le côté de la branche à scier.
- Maintenez l'outil à une distance suffisante de votre corps. De cette façon, vous maximiserez votre équilibre. Portez des vêtements de protection appropriés et bien ajustés tels qu'un pantalon de protection, des gants et des chaussures de sécurité.
- Ne vous surmenez pas. Prenez un repos régulier pendant le travail.

TECHNIQUES DE SCIAGE



AVERTISSEMENT :

Le risque de l'opération peut se produire, tel que les branches d'arbre pointues peuvent couper la peau de l'utilisateur, la lame de l'unité peut blesser le corps de l'utilisateur. Portez toujours une protection pour les yeux, les oreilles, les mains, les pieds et le corps afin de réduire les risques de blessures lors de l'utilisation de cet appareil.

- Assurez-vous que la chaîne tourne à pleine vitesse avant de toucher la branche à couper
- Pour couper les branches, maintenez l'élagueuse sur un angle de 0 à 60° afin d'éviter d'être heurté(e) par une branche qui tombe. La scie ne doit jamais être utilisée directement au-dessus de votre tête.
- Sciez d'abord les branches les plus basses de l'arbre. En procédant ainsi, il est plus facile pour les branches coupées de tomber au sol.
- En fin de coupe, le poids de la scie augmente brutalement pour l'utilisateur, car la scie n'est plus en appui sur la branche. Il y a un risque de perdre le contrôle de la scie.
- Ne sortez la scie de la coupe qu'avec la chaîne en marche. Ce faisant, vous pouvez l'empêcher de se coincer.
- Ne sciez jamais avec l'extrémité du guide-chaîne.
- IMPORTANT! Utilisez la bandoulière ! Utilisez toujours la bandoulière lorsque vous travaillez avec l'équipement. Éteignez l'équipement avant de retirer la bandoulière (risque de blessure). Et tenez fermement la scie à perche avec les deux mains.
- Si un objet étranger est heurté ou si des vibrations se produisent, arrêtez immédiatement la machine. Débranchez la batterie. Vérifiez que la machine n'est pas endommagée. Réparez tout dommage.
- Pour scier les petites branches, placez la face d'arrêt de la scie sur la branche. Cela empêchera les mouvements indésirables de la scie au début de la coupe. Tout en appliquant une légère pression, guidez la scie à travers la branche de haut en bas.
- Pour scier des branches plus grosses, effectuez d'abord une coupe en relief. Sciez à travers 1/3 du diamètre de la branche du bas vers le haut en utilisant le côté supérieur du guide-chaîne. Puis, sciez de haut en bas pour les autres 2/3 restants en utilisant le côté inférieur du guide-chaîne.
- Sciez les branches plus longues par sections afin de garder le contrôle de l'emplacement de l'impact.



AVERTISSEMENT :

Retirez toujours la batterie et laissez le produit refroidir complètement avant d'effectuer des travaux de nettoyage et d'entretien !

Portez toujours des équipements de protection tels que des gants et des lunettes de protection pour réduire le risque de blessure lors de l'utilisation de cet appareil.

N'effectuez les travaux de nettoyage et d'entretien que conformément à ces instructions ! Tous les autres travaux doivent être effectués par un spécialiste qualifié !

En cas d'entretien, n'utilisez que des pièces de rechange identiques. L'utilisation de tout autre accessoire ou fixation peut augmenter le risque de blessure ;

REPLACEMENT DE LA CHAÎNE DE SCIE ET DU GUIDE-CHAÎNE



AVERTISSEMENT :

Ne manipulez jamais la chaîne sans mettre des gants de protection.

Remplacez la chaîne lorsque les dents sont trop usées pour être affûtées ou lorsque la chaîne se casse. Utilisez uniquement la chaîne de remplacement indiquée dans ce manuel. N'utilisez AUCUNE autre combinaison guide / chaîne. Utilisez toujours un nouveau pignon lors du remplacement de la chaîne. Cela maintiendra une conduite correcte de la chaîne.

1. Placez le boîtier de la scie élagueuse sur une surface ferme et plane.
2. Desserrez l'écrou du couvercle du pignon pour retirer le couvercle du pignon de chaîne.
3. En portant des gants de protection, enlevez la chaîne de scie cassée ou le guide-chaîne.
4. Enroulez la nouvelle chaîne de scie autour du nouveau guide-chaîne en veillant à ce que les dents soient orientées dans le sens de rotation. La chaîne doit être correctement placée dans la fente qui s'étend le long du bord extérieur du guide-chaîne.
5. Enroulez la chaîne de scie autour du pignon et localisez le guide-chaîne en faisant correspondre son trou avec le boulon de fixation sur la scie.
6. Mettez le couvercle du pignon sur l'emplacement d'origine.
7. Vissez l'écrou du couvercle de pignon, mais sans serrer.

8. Réglez la tension de la chaîne conformément au chapitre « RÉGLAGE DE LA TENSION DE LA CHAÎNE DE SCIE ».
9. Serrez complètement l'écrou du couvercle du pignon pour fixer le couvercle du pignon.
10. Vérifiez le bon mouvement de la chaîne de scie.

AFFÛTAGE DE LA CHAÎNE

Veillez à ce que votre chaîne reste bien affûtée. Votre scie coupera plus efficacement et en toute sécurité. Une chaîne émoussée causera une usure excessive du pignon, du guide-chaîne, de la chaîne et du moteur.

Ne forcez pas la chaîne dans le bois pour éviter que la chaîne de la scie ne s'é mouisse.



REMARQUE :

N'affûtez pas la chaîne de scie par vous-même, sauf si vous êtes expérimenté(e). Il est recommandé de faire affûter la scie élagueuse par un service agréé.



AVERTISSEMENT :

Éteignez et retirez la batterie avant l'entretien. Les bords de la chaîne sont tranchants. Utilisez des gants de protection lors de la manipulation de la chaîne.

Comment aiguiser la chaîne :

1. Avec des gants de protection, assurez-vous que la chaîne est correctement tendue sur le guide-chaîne.
 2. Utilisez une lime ronde dont le diamètre est égal à 1,1 fois la hauteur des dents de coupe. Assurez-vous que 20% du diamètre de la lime dépasse du haut des dents de coupe (schéma 19).
 3. Limez perpendiculairement au guide-chaîne, selon un angle de 25° par rapport au sens du déplacement (schéma 20).
 4. Limez chacune des dents, en frottant toujours de l'intérieur vers l'extérieur. Limez d'abord l'un des côtés de la chaîne, puis retournez l'appareil et répétez l'opération de l'autre côté.
- Aiguiser chaque dent de manière uniforme, en frottant le même nombre de fois chacune d'entre elles.
 - Gardez toutes les dents de la même longueur. Chaque fois que la pointe de coupe est affûtée, la longueur de coupe est réduite. Lorsque la longueur de la fraise est réduite à 0,16 pouce (4 mm), la chaîne est usée et doit être remplacée.
 - Le réglage de la jauge de profondeur est également réduit à chaque affûtage. Tous les 5 affûtages, utilisez un instrument de mesure de profondeur pour vérifier la hauteur entre la pointe de coupe et la crête. Si nécessaire,

utilisez une lime plate pour limer la crête afin d'obtenir le réglage de la jauge de profondeur de 0,25 pouce. Ces instruments de mesure sont disponibles dans la plupart des magasins d'outillage (schéma 21).

- Si la scie ne fonctionne pas correctement, apportez-la à un centre de service qualifié pour faire inspecter la tronçonneuse. Les réparations ne doivent être effectuées qu'avec les pièces de rechange identiques listées dans ce manuel d'utilisation.

NETTOYAGE

- Retirez les débris de la chaîne et du guide-chaîne.
- Nettoyez toujours les copeaux de bois, la sciure et la saleté de la rainure du guide-chaîne lors du remplacement de la chaîne.
- Assurez-vous que le tendeur de chaîne est exempt de copeaux de bois et d'autres débris.
- Utilisez une petite brosse pour nettoyer l'extérieur de l'appareil.
- Essuyez le bloc moteur avec un chiffon propre imbibé d'une solution savonneuse douce. N'utilisez jamais de nettoyeurs ou de solvants agressifs.
- Retirez les copeaux de bois et autres débris des bouches d'aération.
- Nettoyez les contacts sales avec un chiffon doux et sec. La saleté ou l'huile peuvent provoquer une mauvaise connexion électrique, entraînant une perte de puissance.

TRANSPORT

- Retirez la batterie de la scie à perche.
- Nettoyez le produit comme décrit ci-dessus.
- Installez un couvercle de barre de guidage.
- Transportez toujours le produit par sa poignée.
- Protégez le produit de tout impact important ou de fortes vibrations pouvant survenir lors du transport dans des véhicules.
- Fixez le produit pour éviter qu'il ne glisse ou ne tombe.

ENTREPOSAGE

- Retirez la batterie de la scie à perche.
- Nettoyez le produit comme décrit ci-dessus.
- Stockez le produit et ses accessoires dans un endroit sombre, sec, à l'abri du gel et bien aéré.
- Stockez toujours le produit dans un endroit inaccessible aux enfants.
- Nous vous recommandons d'utiliser l'emballage d'origine pour le stockage ou de couvrir le produit avec un chiffon ou un boîtier approprié pour le protéger de la poussière.



REMARQUE :

Pour prolonger la durée de vie de la batterie, ne stockez jamais la batterie dans un état complètement déchargé. Assurez-vous que la batterie est chargée une fois par an ou lorsque l'indicateur LED n'affiche qu'un seul voyant.

MISE AU REBUT

Les déchets ne doivent pas être jetés avec les ordures ménagères. Recyclez-les là où des installations existent. Renseignez-vous auprès des autorités locales ou de votre détaillant pour obtenir des conseils en matière de recyclage. Pendant l'opération, les grosses branches ou les plus petites branches peuvent être coupées par l'unité ; les utilisateurs doivent nettoyer ces objets pour protéger l'environnement.



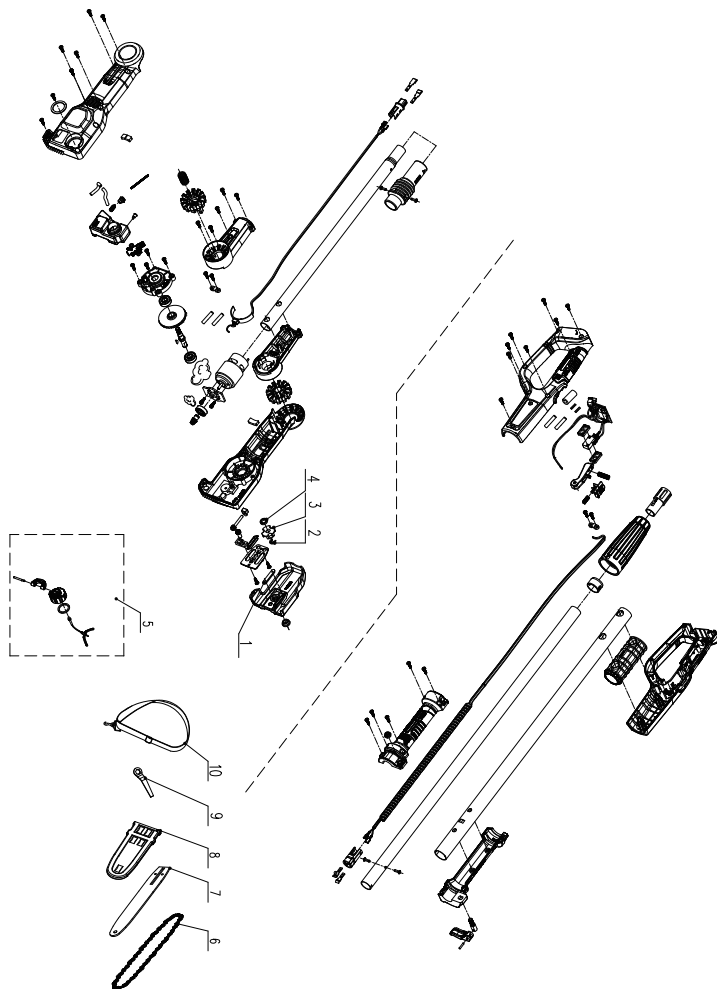
Les produits électriques ne doivent pas être jetés avec les produits ménagers. Les produits électriques d'occasion doivent être collectés séparément et éliminés dans les points de collecte prévus à cet effet. Consultez vos autorités locales ou de votre revendeur pour obtenir des conseils sur le recyclage.

GUIDE DE DÉPANNAGE

Les dysfonctionnements suspectés sont souvent dus à des causes que les utilisateurs peuvent résoudre eux-mêmes. Par conséquent, vérifiez le produit en utilisant ce paragraphe. Dans la plupart des cas, le problème peut être résolu rapidement.

PROBLÈME	CAUSE POSSIBLE	SOLUTION
Le produit ne démarre pas	La batterie n'est pas correctement fixée	Fixez-la correctement
	La capacité de la batterie est trop faible	Retirez et chargez la batterie
	La batterie est endommagée	Faites vérifier par un électricien spécialiste
	L'interrupteur de sécurité n'est pas activé	Reportez-vous à la section « MISE EN MARCHÉ ET ARRÊT ».
Le produit n'atteint pas sa pleine puissance	La capacité de la batterie est trop faible	Chargez la batterie
	Les bouches d'aération sont obstruées	Nettoyez les bouches d'aération
Le résultat n'est pas satisfaisant	L'accessoire de coupe est usé	Remplacez-le par un nouveau
Les vibrations ou le bruit sont excessifs	Les boulons / écrous sont desserrés.	Serrez les boulons / écrous
Le produit s'arrête soudainement	La capacité de la batterie est trop faible	Retirez et chargez la batterie
	La batterie est trop chaude	Retirez la batterie et laissez-la refroidir.

PIÈCES



N°	Pièces #	Description	Qté
1	8208-438801-00	Bague d'étanchéité du couvercle de pignon	1
2	8CE-07B	Anneau de retenue de type E	1
3	8128-462202-00	Pignon	1
4	F022009-019-00	Manchon d'essieu	1
5	199123000462	Assemblage du bouchon du réservoir de carburant	1
6	201001000043	Chaîne de scie	1
7	199140000085	Guide-chaîne	1
8	9331-T10701-0000010	Couvercle du guide-chaîne	1
9	8261-463101-00	Clé	1
10	8214-430802-00	Harnais	1

GARANTIE

GARANTIE LIMITÉE

Garantie limitée de 5 ans sur tous les équipements extérieurs alimentés par batterie de la série Senix X2. Garantie limitée de 3 ans sur toutes les batteries et chargeurs Senix X2.*

PENDANT CINQ ANS à compter de la date d'achat d'origine, ce produit Senix est garanti contre les défauts de matériaux ou de fabrication des outils électriques. Le produit défectueux recevra une réparation gratuite.*

PENDANT TROIS ANS à compter de la date d'achat originale, ce produit Senix est garanti contre les défauts de matériaux ou de fabrication des batteries et des chargeurs. Le produit défectueux recevra une réparation gratuite.*

Cette garantie ne couvre pas l'usure normale des pièces et des composants tels que la chaîne de coupe, le fil ou les lames, et cette garantie ne couvre pas les frais de transport du produit pour la garantie ou l'entretien.

La garantie est sujette aux deux conditions suivantes :

- La garantie s'applique à l'acheteur original au détail et n'est pas transférable *
- Enregistrement de la garantie sur www.senixtools.com
- L'outil n'a pas été utilisé incorrectement, abusé, négligé, altéré, modifié ou réparé par quiconque d'autre qu'un centre d'entretien autorisé.
- Seuls les accessoires Senix authentiques ont été utilisés avec ou sur ce produit.
- L'outil a été soumis à une usure normale.
- L'outil n'a pas été utilisé à des fins commerciales ou professionnelles
- L'outil n'a pas été utilisé à des fins locatives.
- Cette garantie ne couvre que les défauts résultant d'une utilisation normale et ne couvre pas les dysfonctionnements, défaillances ou défauts résultant d'une utilisation incorrecte, d'un abus (surcharge du produit, exposition à l'eau ou à la pluie), d'une négligence ou d'un défaut d'installation, d'entretien ou de stockage. .

Pour localiser votre fournisseur de services Senix le plus proche, appelez gratuitement le 800-261-3981 ou envoyez-nous un e-mail sur service@senixtools.com.

Limitations supplémentaires

Toute garantie implicite accordée en vertu de la législation en vigueur, y compris les garanties de qualité marchande ou d'adéquation à un usage particulier, est limitée à trois ans à compter de la date d'achat pour les outils électriques et les chargeurs et à sept ans pour les batteries. Le fabricant n'est pas responsable des dommages directs, indirects, accessoires ou consécutifs. Certains états et provinces n'autorisent pas les limitations sur la durée d'une garantie implicite et / ou n'autorisent pas l'exclusion ou la limitation des dommages accessoires, et dans ce cas, les restrictions décrites précédemment ne s'appliquent pas. Cette garantie vous donne des droits légaux spécifiques, et vous pouvez également avoir d'autres droits qui varient d'un état à l'autre ou d'une province à l'autre.

YAT USA décline toute responsabilité en matière de responsabilité civile résultant d'une utilisation abusive ou non conforme à une utilisation et une maintenance correctes de la machine telles que décrites dans le manuel de l'utilisateur.

YAT USA n'est pas responsable des dommages directs, indirects, accessoires ou consécutifs.

Après l'achat, le fabricant recommande un entretien approprié de la machine et de lire le manuel de l'utilisateur avant d'utiliser la machine.

* Un reçu d'achat original peut être exigé comme preuve d'achat.

Pour le service à la clientèle, contactez-nous gratuitement au 1-800-261-3981 ou sur Senixtools.com.

10506 Bryton Corporate Center Dr, #500 Huntersville, NC 28078