



OPERATOR'S MANUAL

MODEL #201108



POWER STATION PARALLEL KIT



REGISTER YOUR PRODUCT ONLINE

at championpowerequipment.com



1-877-338-0999

or visit championpowerequipment.com

SAVE THESE INSTRUCTIONS. This manual contains important safety precautions which should be read and understood before operating the product. Failure to do so could result in serious injury. This manual should remain with the product.

Specifications, descriptions and illustrations in this manual are as accurate as known at the time of publication, but are subject to change without notice.

TABLE OF CONTENTS

Introduction **3**
Safety Definitions **3**
Important Safety Instructions **4**
 Safety Symbols 5
Controls and Features **7**
 Control Panel 7

Assembly and Operation **8**
 Paralleling Two Power Stations 8
Cable Storage **10**
Specifications **10**
 Specifications 10

INTRODUCTION

Congratulations on your purchase of a Champion Power Equipment (CPE) product. CPE designs, builds, and supports all of our products to strict specifications and guidelines. With proper product knowledge, safe use, and regular maintenance, this product should bring years of satisfying service.

Every effort has been made to ensure the accuracy and completeness of the information in this manual at the time of publication, and we reserve the right to change, alter and/or improve the product and this document at any time without prior notice.

CPE highly values how our products are designed, manufactured, operated, and serviced as well as providing safety to the operator and those around the generator. Therefore, it is **IMPORTANT** to review this product manual and other product materials thoroughly and be fully aware and knowledgeable of the assembly, operation, dangers and maintenance of the product before use. Fully familiarize yourself, and make sure others who plan on operating the product fully familiarize themselves too, with the proper safety and operation procedures before each use. Please always exercise common sense and always err on the side of caution when operating the product to ensure no accident, property damage, or injury occurs. We want you to continue to use and be satisfied with your CPE product for years to come.

When contacting CPE about parts and/or service, you will need to supply the complete model and serial numbers of your product. Transcribe the information found on your product's nameplate label to the table below

CPE TECHNICAL SUPPORT TEAM
1-877-338-0999
MODEL NUMBER
201108
SERIAL NUMBER
DATE OF PURCHASE
PURCHASE LOCATION

SAFETY DEFINITIONS

The purpose of safety symbols is to attract your attention to possible dangers. The safety symbols, and their explanations, deserve your careful attention and understanding. The safety warnings do not by themselves eliminate any danger. The instructions or warnings they give are not substitutes for proper accident prevention measures.

DANGER

DANGER indicates a hazardous situation which, if not avoided, will result in death or serious injury.

WARNING

WARNING indicates a hazardous situation which, if not avoided, could result in death or serious injury.

CAUTION

CAUTION indicates a hazardous situation which, if not avoided, could result in minor or moderate injury.

NOTICE

NOTICE indicates information considered important, but not hazard-related (e.g., messages relating to property damage).

IMPORTANT SAFETY INSTRUCTIONS

⚠ WARNING

Cancer and Reproductive Harm – www.P65Warnings.ca.gov

⚠ WARNING

Read all safety warnings and all instructions. Failure to follow the warnings and instruction may result in electric shock, fire and cause serious injury. Save all warnings and instruction.

⚠ DANGER

Parallel kit generates powerful voltage.

Keep your parallel kit in a dry, well-ventilated area when in use.

Do not operate the parallel kit with a damaged cord, plug, or a damaged output cable. Use only Champion electrical cords for proper application.

Do not allow children or unqualified persons to operate or service the parallel kit.

Do not operate parallel kit in wet conditions. To avoid short circuits or electric shock do not allow unit to get wet. In the event the unit does get wet, let the unit dry completely before using.

Always use a ground fault circuit interrupter (GFCI) in damp areas and areas containing conductive material such as metal decking.

Do not allow fluids to flow into parallel kit. Corrosive or conductive fluids, such as seawater, industrial chemicals, bleach or bleach containing products can cause a short circuit.

This equipment has internal arcing or sparking parts which should not be exposed to flammable vapors or liquids.

⚠ WARNING

To avoid fire or electrical shock hazard, observe all ratings on the parallel kit and accessory products you intend to use.

⚠ CAUTION

This device is intended for temporary use outdoors and reasonable care should be exercised when using this device in damp conditions.

⚠ WARNING

Do not use parallel kit for medical and life support uses.

In case of emergency, call 911 immediately.

NEVER use this product to power life support devices or life support appliances.

NEVER use this product to power medical devices or medical appliances.

Inform your electricity provider immediately if you or anyone in your household depends on electrical equipment to live.

Inform your electrical provider immediately if a loss of power would cause you or anyone in your household to experience a medical emergency.

⚠ WARNING

Parallel kit produces heat. Skin burns can occur on contact.

Do not touch hot surfaces.

Allow equipment to cool before touching.

⚠ WARNING

Exceeding the parallel kit's running capacity can damage the parallel kit and/or electrical devices connected to it.

DO NOT overload the parallel kit.

DO NOT tamper or modify the parallel kit in any way.

⚠ WARNING

Improper treatment or use of the parallel kit can damage it, shorten its life or void the warranty.

Use the parallel kit only for intended uses.

DO NOT expose parallel kit to moisture, dust, or dirt.

DO NOT allow any material to block the cooling slots.








If connected devices overheat, turn them off and disconnect them from the parallel kit.



DO NOT use the parallel kit if:

- Electrical output is lost
- Equipment sparks, smokes or emits flames
- Equipment vibrates excessively

Safety Symbols

Some of the following symbols may be used on this product. Please study them and learn their meaning. Proper interpretation of these symbols will allow you to more safely operate the product.

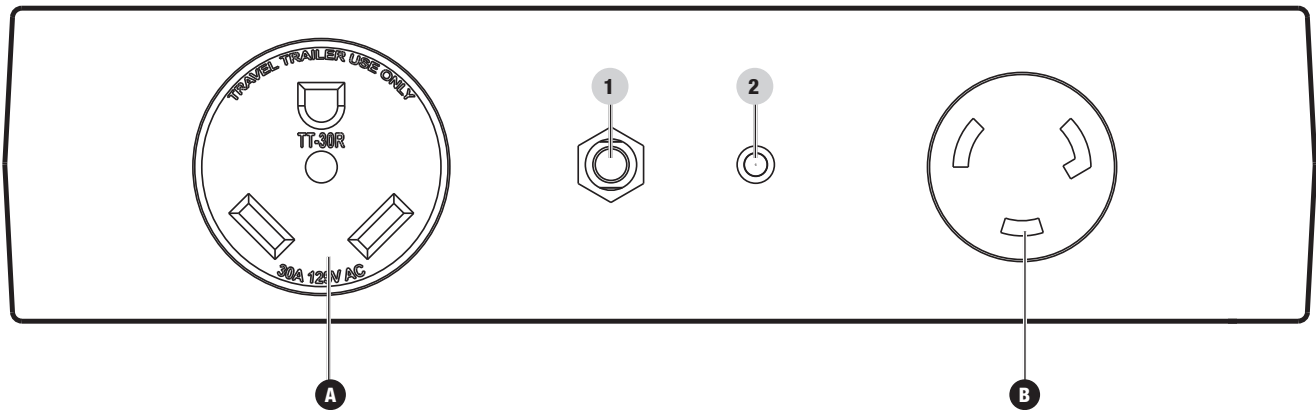
SYMBOL	MEANING
	Read Operator's Manual. To reduce the risk of injury, user must read and understand operator's manual before using this product.
	Eye protection. Always wear eye protection with side shields marked to comply with ANSI Z87.1.
	Ground. Consult with local electrician to determine grounding requirements before operation.
	Electric Shock. Failure to use in dry conditions and to observe safe practices can result in electric shock.
	Shield eyes. Explosive gases can cause blindness or injury. If damaged, battery may emit hazardous fumes. If fumes present, move battery to a well-ventilated area.
	Fire/Explosion. Batteries and its vapors are extremely flammable and explosive. Fire or explosion can cause severe burns or death. Keep parallel kit at least 5 feet (1.5m) from all objects to prevent combustion.
	Blindness or severe burns. Electrolyte solution can cause blindness or severe burns.

SYMBOL	MEANING
	Open Flame Alert. Keep away from fuel, smoking, open flames, sparks, pilot lights, heat, and other ignition sources.
	Wet Conditions Alert. Do not operate parallel kit in wet or damp conditions.

CONTROLS AND FEATURES

Read this operator’s manual before operating your parallel kit. Familiarize yourself with the location and function of the controls and features. Save this manual for future reference.

Control Panel



1. **Circuit Breakers (Push Reset)** – Protects the generator against electrical overloads.
2. **Power Indicator** – Illuminates green when power is being supplied to the parallel kit.

RECEPTACLES		
A		120V AC, 30A RV (NEMA TT-30R) May be used to supply electrical power for operation of 120 Volt AC, 30 Amp, single phase, 60 Hz electrical loads.
B		120V AC, 30A Locking (NEMA L5-30R) May be used to supply electrical power for operation of 120 Volt AC, 30 Amp, single phase, 60 Hz electrical loads.

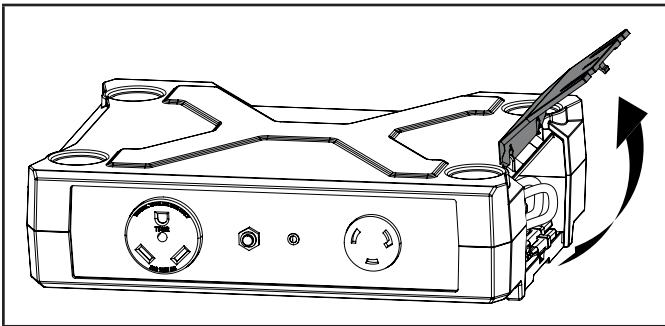
ASSEMBLY AND OPERATION

This parallel kit is intended for use with Champion Power Equipment Power Stations. Please refer to your Power Stations Operator's Manuals for safety rules, start up and shut down procedures, specifications, and troubleshooting.

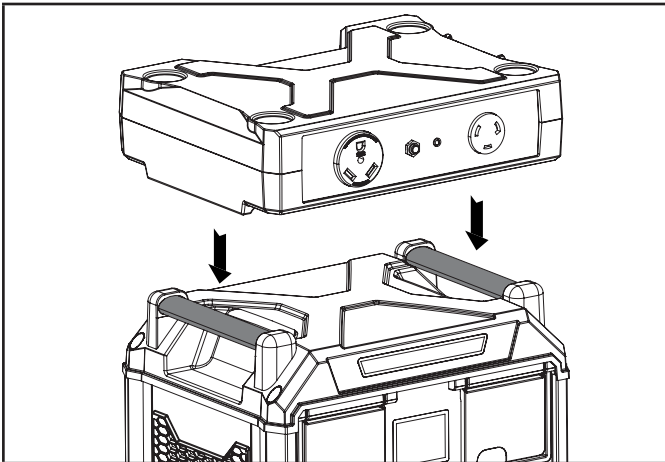
The total output of this kit will depend on the rated wattage of the Power Stations connected to it. The maximum output of the parallel kit is the amperage rating of the circuit breakers.

Paralleling Two Power Stations

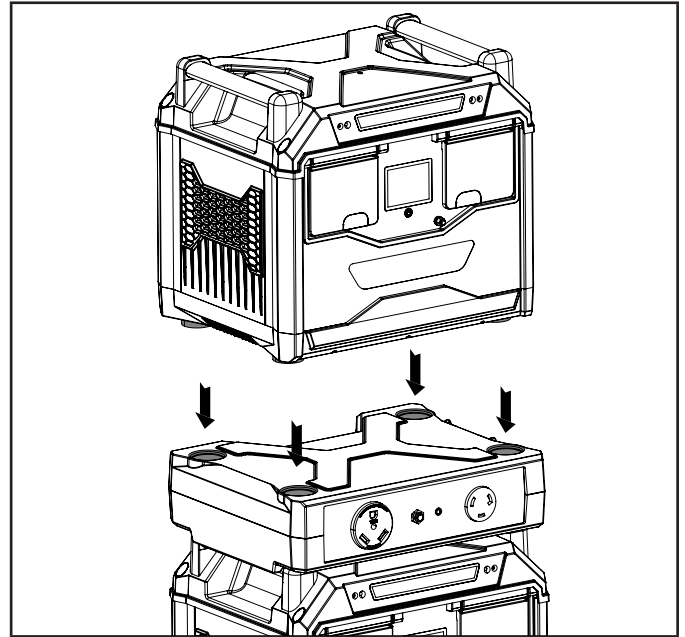
1. Ensure both Power Stations are turned off and all electrical loads are disconnected before installing parallel kit.
2. Lift open the parallel kit storage cover and remove the cables.



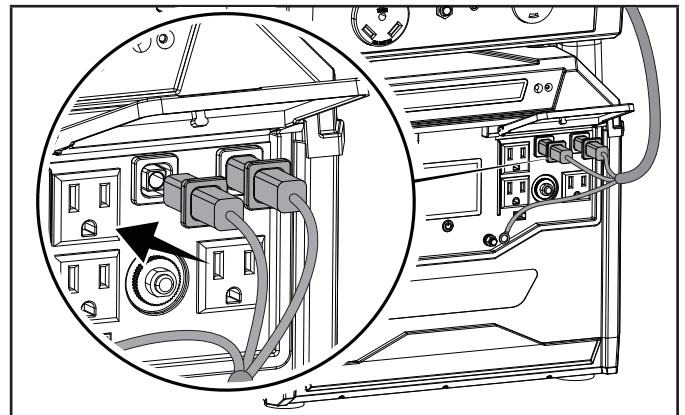
3. Place the parallel kit on top of the heaviest Power Station being paralleled so that the handles on the Power Station fit securely into the slots on the bottom of the parallel kit.



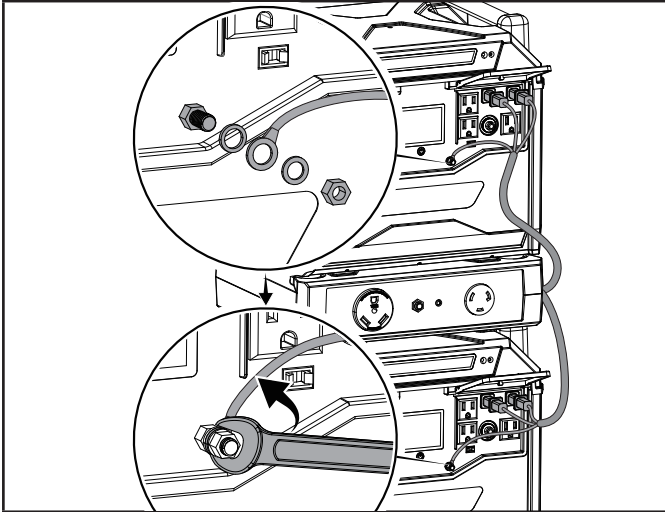
4. Place the second Power Station on top of the parallel kit so that the Power Stations feet fit securely into the slots on top of the parallel kit.



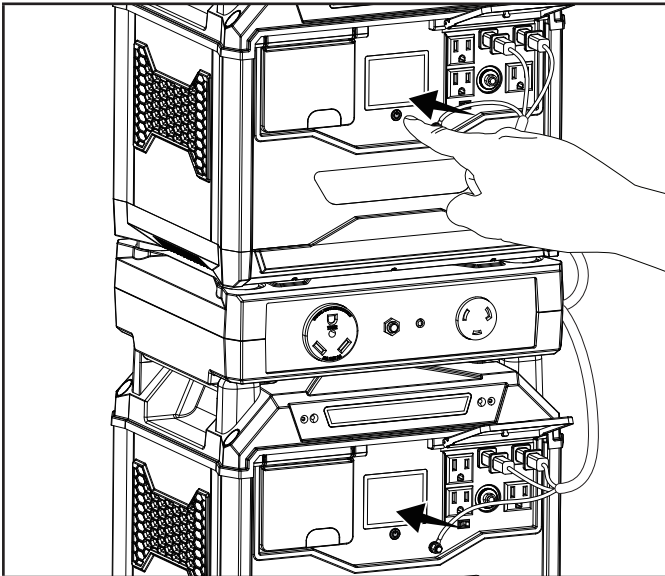
5. Lift Power Stations AC input side cover and insert the RED power lead into the RED receptacle and the BLACK power lead into the BLACK receptacle.



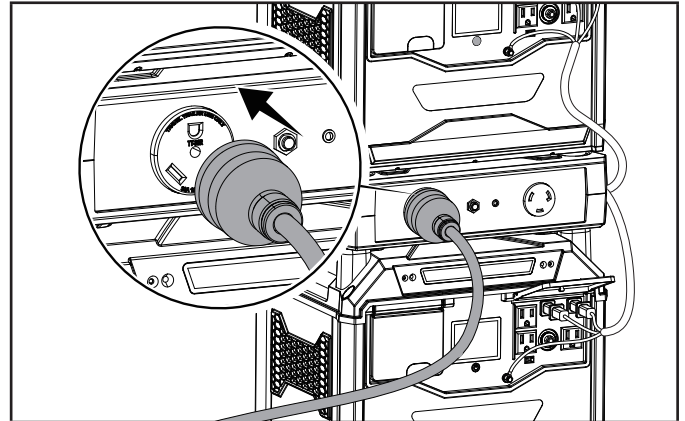
- 6. Connect one green and yellow grounding wire from the parallel kit to each Power Station by securing the ring terminal of the grounding wire between the nuts of the Power Stations grounding lug. Tighten the connection with a wrench.



- 7. Turn on both Power Stations and power on the AC input side outlets if applicable.



- 8. Connect devices to the parallel kit and/or Power Stations up to the receptacles' rated amperages. Never exceed the specified rated capacity of the receptacle.



- 9. Turn off and unplug connected devices before turning the Power Stations off.

⚠ CAUTION

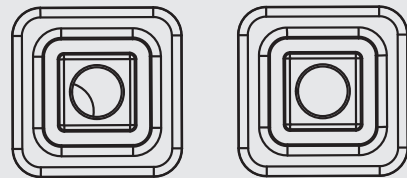
Do not exceed the Power Stations wattage rating. Always connect devices with the largest load first.

🗨 NOTICE

If the parallel kit has been overloaded and the circuit breaker has been tripped, reduce the load and press the Power Station reset button to restore power.

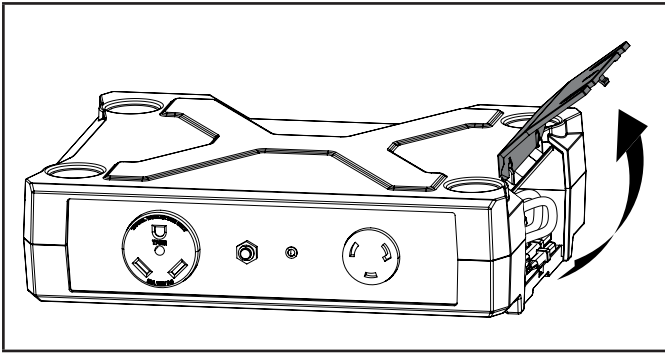
🗨 NOTICE

This parallel kit is meant to parallel two ParaLINK compatible Power Stations together. Both Power Stations must have ParaLINK parallel receptacles as shown below:



CABLE STORAGE

When not in use, neatly wrap the cables and store them in the parallel kit's storage compartment.



SPECIFICATIONS

Specifications

Model	201108
Volts AC	120
Frequency	60 Hz
Phase	Single
Weight	4.6 lb. (2.1 kg)
Length	13.7 in. (34.8 cm)
Width	10.9 in. (27.7 cm)
Height	3.97 in. (10.1 cm)

WARRANTY*

CHAMPION POWER EQUIPMENT
1 YEAR LIMITED WARRANTY

Warranty Qualifications

To register your product for warranty and FREE lifetime call center technical support please visit:

<https://www.championpowerequipment.com/register>

To complete registration you will need to include a copy of the purchase receipt as proof of original purchase. Proof of purchase is required for warranty service. Please register within ten (10) days from date of purchase.

Repair/Replacement Warranty

CPE warrants to the original purchaser that the mechanical and electrical components will be free of defects in material and workmanship for a period of one year (parts and labor) from the original date of purchase and 90 days (parts and labor) for commercial and industrial use. Transportation charges on product submitted for repair or replacement under this warranty are the sole responsibility of the purchaser. This warranty only applies to the original purchaser and is not transferable.

Do Not Return The Unit To The Place Of Purchase

Contact CPE's Technical Service and CPE will troubleshoot any issue via phone or e-mail. If the problem is not corrected by this method, CPE will, at its option, authorize evaluation, repair or replacement of the defective part or component at a CPE Service Center. CPE will provide you with a case number for warranty service. Please keep it for future reference. Repairs or replacements without prior authorization, or at an unauthorized repair facility, will not be covered by this warranty.

Warranty Exclusions

This warranty does not cover the following repairs and equipment:

Normal Wear

Products with mechanical and electrical components need periodic parts and service to perform well. This warranty does not cover repair when normal use has exhausted the life of a part or the equipment as a whole.

Installation, Use and Maintenance

This warranty will not apply to parts and/or labor if the product is deemed to have been misused, neglected, involved in an accident, abused, loaded beyond the product's limits, modified, installed improperly or connected incorrectly to any electrical component. Normal maintenance is not covered by this warranty and is not required to be performed at a facility or by a person authorized by CPE.

Other Exclusions

This warranty excludes:

- Cosmetic defects such as paint, decals, etc.
- Wear items such as filter elements, o-rings, etc.
- Accessory parts such as starting batteries, and storage covers.
- Failures due to acts of God and other force majeure events beyond the manufacturer's control.
- Problems caused by parts that are not original Champion Power Equipment parts.

Limits of Implied Warranty and Consequential Damage

Champion Power Equipment disclaims any obligation to cover any loss of time, use of this product, freight, or any incidental or consequential claim by anyone from using this product. THIS WARRANTY IS IN LIEU OF ALL OTHER WARRANTIES, EXPRESS OR IMPLIED, INCLUDING WARRANTIES OF MERCHANTABILITY OR FITNESS FOR A PARTICULAR PURPOSE.

A unit provided as an exchange will be subject to the warranty of the original unit. The length of the warranty governing the exchanged unit will remain calculated by reference to the purchase date of the original unit.

This warranty gives you certain legal rights which may change from state to state or province to province. Your state or province may also have other rights you may be entitled to that are not listed within this warranty.

Contact Information

Address

Champion Power Equipment, Inc.
6370 S Pioneer Way, Unit 101
Las Vegas, NV 89113 USA
www.championpowerequipment.com

Customer Service

Toll Free: 1-877-338-0999
info@championpowerequipment.com
Fax no.: 1-562-236-9429

Technical Service

Toll Free: 1-877-338-0999
tech@championpowerequipment.com
24/7 Tech Support: 1-562-204-1188