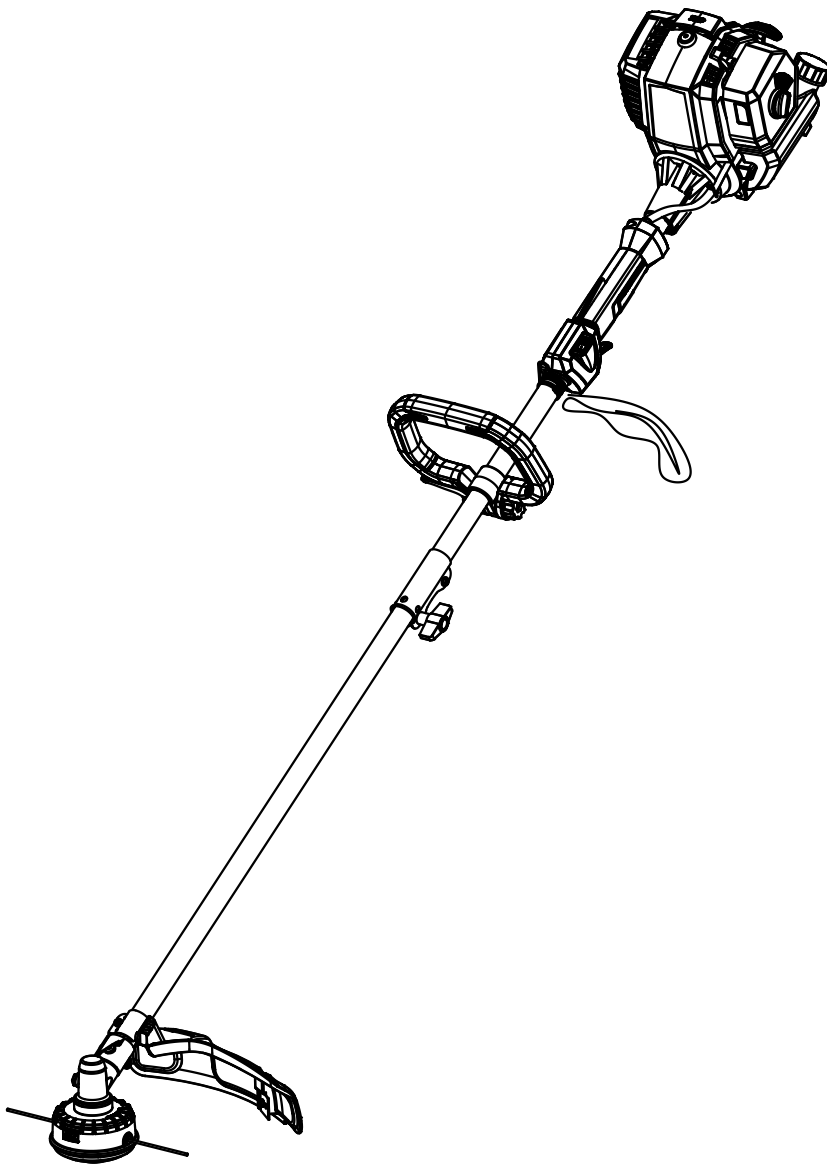




---

# 4-Cycle 1.9 cu in. (31 cc) Engine Gasoline Powered Trimmer

Operator's manual  
Model: GTS4QL-M2



For customer support, please call 1-800-261-3981 or send email to:

[Service@senixtools.com](mailto:Service@senixtools.com)

SAVE THIS MANUAL FOR FUTURE REFERENCE.

8458-9022010-001

# TABLE OF CONTENTS

- SAFETY.....2
- KNOW YOUR UNIT.....5
- SPECIFICATIONS\* .....5
- ASSEMBLY.....6
- OIL AND FUEL.....8
- STARTING AND STOPPING.....9
- OPERATION.....11
- MAINTENANCE.....13
- CLEANING AND STORAGE.....17
- TROUBLESHOOTING.....18
- PARTS.....19
- WARRANTY.....20

## SAFETY

### **DANGER:**

Signals an **EXTREME** hazard.  
 Failure to obey a safety **DANGER** symbol **WILL** result in serious injury or death to yourself or to others.

### **WARNING:**

Crude oil, gasoline, diesel fuel and other petroleum products can expose you to chemicals including toluene and benzene, which are known to the State of California to cause cancer and birth defects or other reproductive harm. These exposures can occur in and around oil fields, refineries, chemical plants, transport and storage operations such as pipelines, marine terminals, tank trucks and other facilities and equipment. For more information go to: [www.P65Warnings.ca.gov/petroleum](http://www.P65Warnings.ca.gov/petroleum).

### **WARNING:**

Signals a **SERIOUS** hazard.  
 Failure to obey a safety **WARNING** symbol **CAN** result in serious injury to yourself or to others.

### **CAUTION:**

Signals a **MODERATE** hazard.  
 Failure to obey a safety **CAUTION** symbol **MAY** result in property damage or injury to yourself or to others.

**NOTE:** Advises you of information or instructions vital to the operation or maintenance of the equipment.

### **WARNING:**

#### **CALIFORNIA PROPOSITION 65**

This product contains a chemical known to the state of California to cause cancer, birth defects or other reproductive harm.

**Read the operator’s manual and follow all warnings and safety instructions. Failure to do so can result in serious injury to the operator and/or bystanders.**

### • SAFETY & INTERNATIONAL SYMBOLS •

This operator’s manual describes safety and international symbols and pictographs that may appear on this product. Read the operator’s manual for complete safety, assembly, operating and maintenance and repair information.

SYMBOL	NAME	MEANING
	Safety Alert	This graphic accompanied by the words <b>WARNING, DANGER OR CAUTION</b> calls attention to an act of a condition which can lead to <b>SERIOUS INJURY</b> .
	Read Operator's Manual	Read the operator’s manual(s) and follow all warnings and safety instructions. Failure to do so can result in serious injury to the operator and/or bystanders.
	Wear eye and hearing protection	Always wear eye protection, ear protection and head protection meeting ANSI Z87.1 standards.
	Wear foot protection	Wear foot protection.
	Wear gloves	Wear gloves.
		Beware of foot injury by cutting attachment.
		Beware of objects flung by cutting attachments. Never use without properly mounted protection guard.
		Keep 15 meters away from any other person.
		Beware of objects flung by cutting attachments. Never use without properly mounted protection guard.
		Don't install or use any type of blade on the unit displaying this symbol.
<b>72dB(A)</b> <small>MEASURED AT 50FT. (15M) PER ANSI B175.3</small>		Bystander sound pressure level: 72dB(A).

## SAFETY WARNINGS

1. Proper safety precautions must be observed. Like all power equipment this unit must be handled carefully. **DO NOT EXPOSE YOURSELF OR OTHERS TO DANGER.** Follow these general rules. Do not permit others to use this unit unless they are thoroughly responsible and have read, and understood the string trimmer manual and are trained in its operation.
2. Always wear safety goggles for eye protection. Dress properly. Do not wear loose clothing or jewelry that could become caught in moving parts of the unit. Safe, sturdy, nonskid footwear should always be worn. Secure hair so it is above shoulder level. It is recommended that legs and feet be covered to protect from flying debris during operation.
3. Inspect the entire unit for loose parts (nuts, bolts, screws, etc.) and any damage before start and operation. Repair or replace as necessary before using the machine.
4. **DO NOT USE** any attachment with this power head other than the ones recommended by the manufacturer. Serious injury to the operator or bystanders could result as well as damage to the machine.
5. Keep the handles free from oil and fuel.
6. Do not operate the unit in insufficient lighting conditions.
7. Do not operate the unit when you are tired, when your concentration is impaired and/or under the influence of drugs, medication, or alcohol.
8. Always use proper handles when trimming.
9. Do not smoke while filling tank.
10. Do not fill fuel in an enclosed room or near open flames. Ensure adequate ventilation.
11. Always store fuel in a properly marked container that is approved by local codes and ordinances for such usage.
12. Never remove the fuel tank cap while the engine is running.
13. Never start or run the product inside a closed room or building. Fumes from the exhaust contain dangerous carbon monoxide.
14. Never attempt to make engine adjustments while the unit is running. Always make engine adjustments with the unit resting on a flat, clear surface.
15. Do not use the unit if it is damaged or poorly adjusted. Never remove the unit's guard. Serious injury to the operator or bystanders could result as well as damage to the machine.
16. Inspect the area to be cut and remove all debris that could become entangled in the nylon cutting head. Also remove any objects that the unit may throw during cutting.
17. Keep children away. Onlookers should be kept at a safe distance from the work area, at least 15 METERS (50 FEET) away.
18. Never leave the unit unattended while the engine is running.
19. Do not use this unit for any job other than those for which it is intended as described in this manual.
20. Do not overreach. Keep proper footing and balance at all times. Do not use the unit while standing on a ladder or on any other unstable footing location.
21. Keep hands and feet a safe distance from the nylon cutting line while unit is in use.
22. Do not use this type of unit for sweeping away debris.
23. Use nylon cutting head which is free of damage. If a stone or any other obstacle is hit, stop the engine and check the nylon cutting head. A broken or unbalanced nylon cutting head must never be used.
24. **FOLLOW INSTRUCTIONS** for assembling and operation.
25. Do not store the unit in a closed area where fuel vapors can reach an open flame from hot water heaters, furnaces, etc. Store in a locked, well ventilated area only.
26. Ensure safe and proper performance of your unit. Please only use original accessories. The use of any other accessories or attachments may cause a potential hazard or injury to the user, damage to the unit, and void the warranty.
27. If the unit will not be used for a long time, clean the unit completely, especially the fuel/oil tank, its surroundings, and the air filter.
28. When refueling, stop the engine and confirm that it is cooled down. Never refuel when the engine is running or hot. When gasoline spills, be sure to wipe it up completely and dispose of those materials before starting the engine.
29. Stay clear of other workers or bystanders by at least 15 meters/50 feet.
30. Whenever approaching an operator of the unit, carefully call their attention and confirm that the operator stops the engine. Be careful not to startle or distract the operator which can cause an unsafe situation.
31. Never touch the nylon cutting head whenever the engine is running. If it is necessary to adjust the protector or nylon cutting head, make sure to stop the engine and confirm that the nylon cutting head has stopped running.
32. The engine should be turned off when the unit is moved between work areas.
33. Be careful not to hit the nylon cutting head against stones, or the ground. Unreasonable rough operation will shorten the life of the unit as well as create an unsafe environment for yourself and those around you.
34. Pay attention to loosening and overheating parts. If there is any abnormality of the unit, stop operation immediately and check the unit carefully. If necessary, have the unit serviced by customer support. Never continue to operate a unit which may be malfunctioning.
35. In start-up or during operation of the engine, never touch hot parts such as the muffler, the high voltage wire, or the spark plug.
36. After the engine has stopped, the muffler is still hot. Never place the unit in any places where there are flammable materials (dry grass, etc.), combustible gasses, or combustible liquids.
37. Pay special attention to operation in the rain or just after the rain as the ground may be slippery.

38. If you slip or fall to the ground, release the throttle lever immediately.
39. Be careful not to drop the unit or hit it against obstacles.
40. Before proceeding to adjust or repair the unit, be sure to stop the engine and detach the spark plug.
41. When the machine is placed in storage for a long time, drain fuel/oil from the fuel/oil tank and carburetor, clean the parts, and move the machine to a safe place.
42. Make periodic inspections to ensure safe and efficient operation. For a thorough inspection of your unit, contact customer support.
43. Keep the unit away from fire or sparks.
44. Keep your body warm, especially the head, neck, feet, ankles, hands, and wrists.
45. Maintain good blood circulation by performing vigorous arm exercises during frequent work breaks and also by not smoking.
46. Limit the hours of operation.
47. If you experience discomfort, redness and swelling of the fingers followed by whitening and loss of feeling, consult your physician before further exposing yourself to cold and vibration.
48. Always wear ear protection. Loud noises for long periods can cause hearing loss, even permanent deafness.
49. Wear no-slip heavy duty work gloves to improve your grip on the handle. Gloves also reduce the transmission of machine vibration to your hands.

## **WARNING:**

The string head is still dangerous while the machine is coasting to a stop.

50. Do not lay the machine on the side; otherwise the fuel could spill out.
51. Fuel evaporation during refueling and exhaust gases are harmful to the operator and people around the unit.
52. Make sure that the fuel evaporation and exhaust gases will not drift to the face of operator and keep other people away from your working area.
53. Do not allow children or untrained individuals to use this unit.

## **RESIDUAL RISKS**

### **WARNING:**

Even when the unit is used as prescribed it is not possible to eliminate all residual risk factors. The following hazards may arise in connection with the unit's construction and design:

- Damage to lungs if an effective dust mask is not worn.
- Damage to hearing if effective hearing protection is not worn.
- Health defects resulting from vibration emission if the unit is being used over long periods of time or not adequately managed and properly maintained.

## **WARNING:**

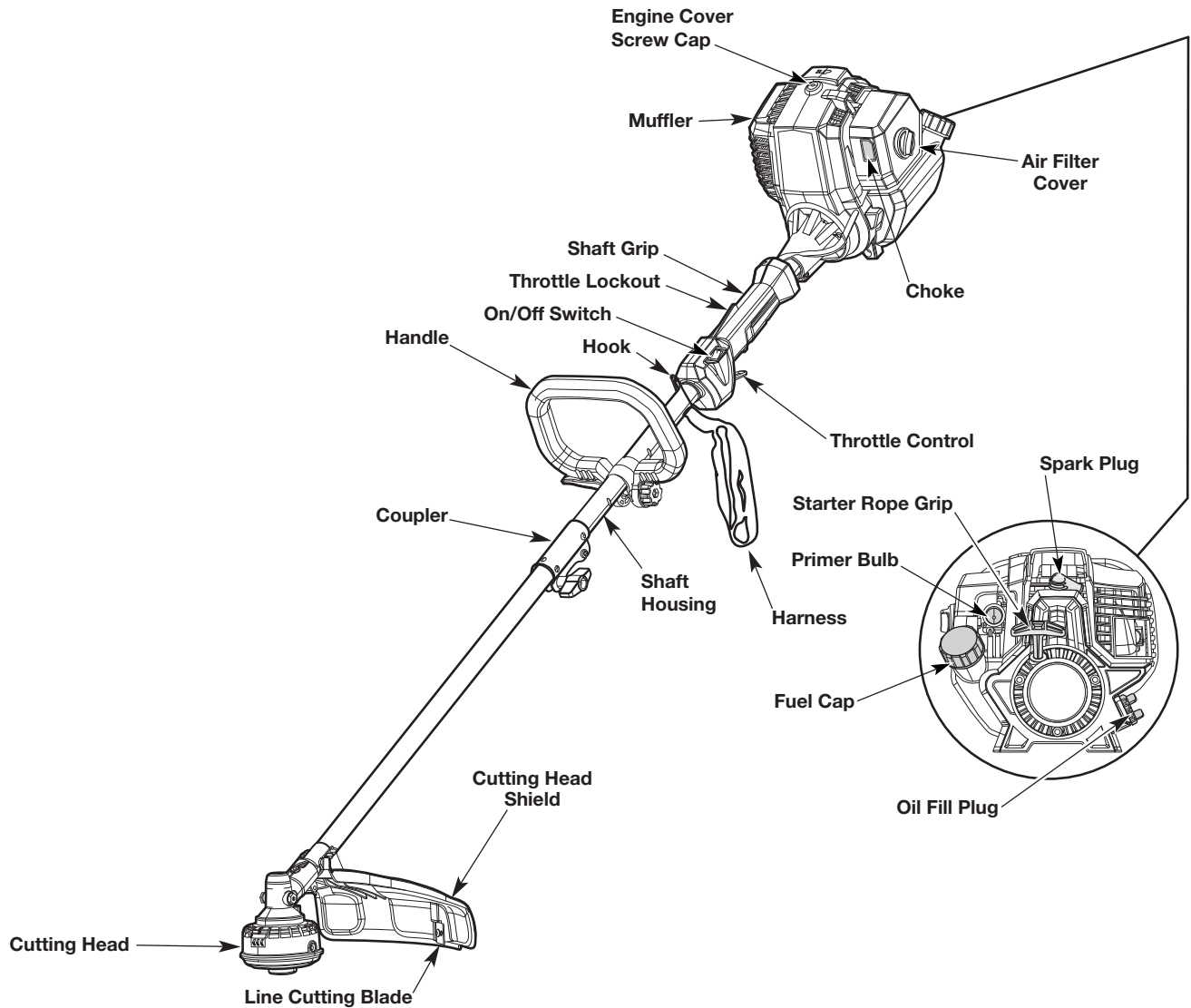
This unit produces an electromagnetic field during operation. This field may, under some circumstances, interfere with active or passive medical implants. To reduce the risk of serious or fatal injury, we recommend persons with medical implants to consult their physician and the medical implant manufacturer before operating this unit.

# KNOW YOUR UNIT

## APPLICATIONS

As a trimmer:

- Cutting grass and light weeds
  - Edging
  - Decorative trimming around trees, fences, etc.
- Other optional attachments may be used with this unit.



## SPECIFICATIONS\*

Engine type.....	Air-Cooled, 4-Cycle
Displacement.....	1.9 cu in. (31 cc)
Spark plug gap .....	0.025 in. - 0.31 in. (0.6 - 0.8 mm)
Lubrication .....	SAE 30 Oil
Crankcase lubrication capacity.....	2.01 oz. (60 ml)
Fuel tank capacity.....	10.93 oz. (320 ml)
Approximate unit weight (no fuel) .....	11.84 lbs. (5.37 kg)
Trimmer mechanism .....	Bump Head or Fixed Line Head
Trimming line .....	Spiral Trimming line
Trimming line diameter .....	0.095 in. (2.4 mm)
Cutting path diameter (Model No. 74098*) .....	17.7 in. (450 mm)

\* All specifications are based on the latest product information available at the time of printing. We reserve the right to make changes at any time without notice.



## ASSEMBLY

This product requires assembly. Carefully remove the product and any accessories from the box. Make sure that all items listed in the packing list are included. Inspect the product carefully to make sure no breakage or damage occurred during shipping. Do not discard the packing material until you have carefully inspected and satisfactorily operated the product. If any parts are damaged or missing, please call 1-800-261-3981 for assistance.

### **WARNING:**

Do not use this product if any parts on the packing list are already assembled to your product when you unpack it. Parts on this list are not assembled to the product by the manufacturer and require customer installation. Use of a product that may have been improperly assembled could result in serious personal injury.

### INCLUDED PARTS

Quantity	Item
1	Fast Start Guide
1	Operator's Manual
1	Bump head (installed)
1	Harness
1	Fixed line head
1	Black .130 in. line
1	Cutting head shield and mounting screw
1	Torx wrench
1	Spark plug wrench
1	60 ml bottle of oil
1	Warranty statement
1	EPA warranty letter

### **WARNING:**

To prevent an accidental start that could cause serious personal injury, always disconnect the engine spark plug wire from the spark plug when assembling parts.

### **WARNING:**

Never install, remove, or adjust any attachments while power head is running. Failure to stop the engine can cause serious personal injury.

### INSTALLING THE CUTTING HEAD SHIELD

1. Remove the screw from the cutting head shield.
2. Insert the tab on the mount bracket into the slot in the cutting head shield (Fig. 1).
3. Rotate the cutting head shield until the hole on the mount bracket aligns with the screw hole on the cutting head shield.
4. Insert the screw and tighten until the cutting head shield is firmly in place.

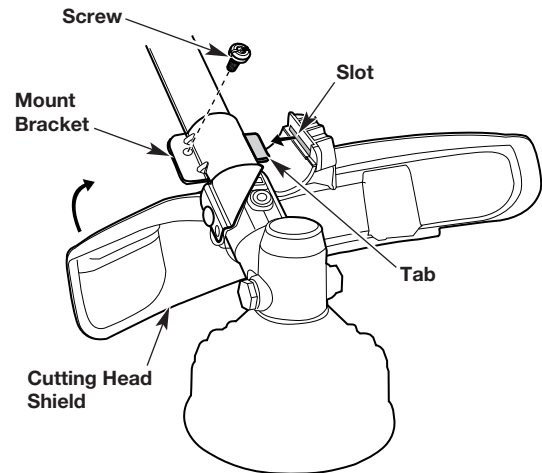


Fig. 1

### ADJUSTING THE HANDLE

The handle can be adjusted for location on the shaft and for angle of grip. To adjust handle:

1. Flip the lever down and turn the nut counterclockwise to loosen the handle (Fig. 2).
2. Hold the unit in the operating position. Move the handle up or down the shaft housing to a comfortable location. Make sure the handle is positioned beyond the end of the safety label.
3. Tilt the handle to the preferred grip angle.
4. Tighten the knob clockwise and flip the lever up to secure the handle.

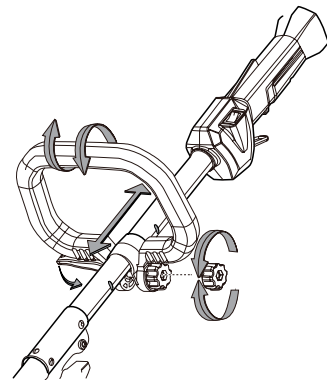


Fig. 2

### INSTALLING AND REMOVING THE ATTACHMENT

In addition to the supplied line trimmer lower shaft, the coupler on the upper shaft enables the use of various other lower shaft attachments, available for separate purchase.

### **WARNING:**

Before using any attachment, read and understand the manual that came with the attachment. Follow all safety information contained within.

### **WARNING:**

To avoid serious personal injury and damage to the unit, shut the unit off before removing or installing an attachment.

## Installing the Attachment

1. If present, remove the gray spacer from the coupler opening.
2. Set the unit on a flat, level surface.
3. Turn the knob counterclockwise to loosen the coupler (Fig. 3).
4. Align the release button with the guide recess (Fig. 4).
5. Push the attachment straight into the coupler until the release button snaps firmly into the primary hole (Fig. 5).
6. Turn the knob clockwise to tighten the coupler.

### **CAUTION:**

Before operating the unit, make sure the release button is fully snapped into the primary hole and the knob is securely tightened.

### **CAUTION:**

Unless specified otherwise, the release button should be snapped into the primary hole only. Using the wrong hole could lead to personal injury or damage to the unit.

## Removing the Attachment

1. Set the unit on a flat, level surface.
2. Turn the knob counterclockwise to loosen the coupler (Fig. 3).
3. Press and hold the release button (Fig. 4).
4. Pull the attachment straight out of the coupler (Fig. 5).

## INSTALL THE HARNESS

The harness with quick release function can be hooked behind the rear hand if needed (Fig. 5a).

NOTE: Harness use is optional.

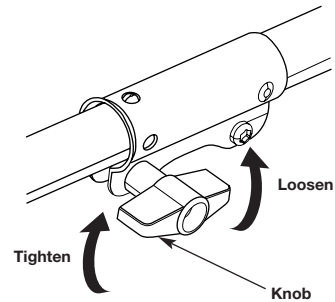


Fig. 3

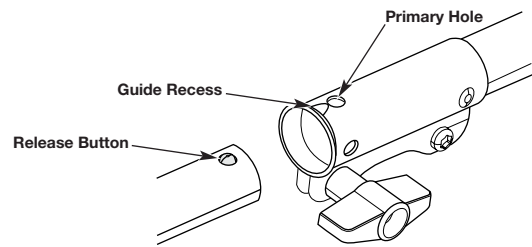


Fig. 4

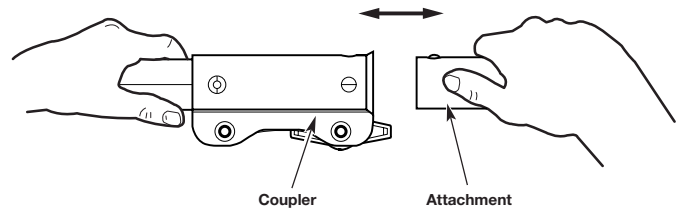


Fig. 5

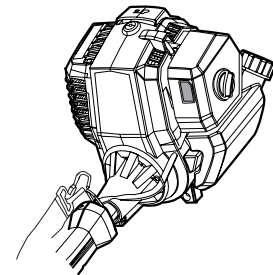


Fig. 5a

## USING THE RIGHT OIL

Use a high-quality SAE 30 weight oil. DO NOT use dirty oil. Failure to use clean oil of the correct type can cause premature engine wear and failure.

## ADDING OIL: INITIAL USE

### CAUTION:

Attempting to start the engine before it has been properly filled with lubricant will result in equipment failure not covered by the warranty.

### WARNING:

OVERFILLING THE CRANKCASE MAY CAUSE SERIOUS PERSONAL INJURY. Check the oil level before each use. The importance of maintaining the proper oil level cannot be overemphasized. Change the oil according to the Maintenance Schedule.

### CAUTION:

Do not overfill. Overfilling the crankcase may cause excessive smoke, oil loss, and engine damage.

**NOTE:** This unit was shipped without oil in the crankcase. Oil must be added before starting the unit.

**NOTE:** This unit comes with a 2.03 fluid oz. (60 ml) container of oil.

1. Set the unit on a flat, level surface.
2. Unscrew the oil fill plug (Fig. 6).
3. Pour the entire container of oil into the oil fill hole. DO NOT overfill. Refer to Checking the Oil Level.

**NOTE:** Never add oil to the fuel tank. This unit has a four-cycle engine. DO NOT mix oil with gasoline.

4. Wipe up any oil that may have spilled.
5. Reinstall the oil fill plug. Make sure the O-ring is in place on the oil fill plug (Fig. 6).

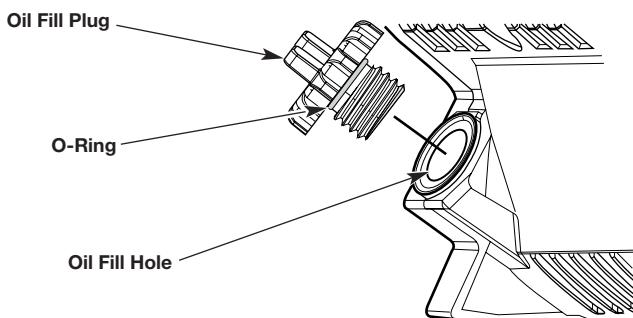


Fig. 6

## FUELING THE UNIT

### WARNING:

Gasoline is extremely flammable. Ignited vapors may explode. Always stop the engine and allow it to cool before filling the fuel tank. Do not smoke while filling the tank. Keep sparks and open flames at a distance from the area.

### WARNING:

Remove the fuel cap slowly to avoid injury from fuel spray. Never operate the unit without the fuel cap securely in place.

### WARNING:

Add fuel in a clean, well-ventilated outdoor area. Wipe up any spilled fuel immediately. Avoid creating a source of ignition for spilled fuel. Do not start the engine until fuel vapors dissipate.

### WARNING:

Gasoline and its vapors are highly flammable and explosive. To prevent serious personal injury and property damage, handle it with care. Keep away from ignition sources and open flames, handle outdoors only. Pour fuel outdoors where there are no sparks or flames. Slowly remove the fuel cap after stopping the engine. Do not smoke while fueling. Wipe spilled fuel from unit. Move at least 3 m (10 ft) away from the fueling source before starting engine.

### WARNING:

Always wear heavy, long pants, boots, gloves, and a long-sleeve shirt. Do not wear loose clothing, jewelry, short pants, sandals, or go barefoot. Secure hair so it is above shoulder level.

1. Position the unit with the fuel cap facing up.
2. Slowly remove the fuel cap.
3. Place the fuel container spout into the fuel tank fill hole and fill the tank. Stop adding gas when you see that the level reaches the base of the tank spout (Fig. 6a).

**NOTE:** Do not overfill the tank.

4. Wipe up any fuel that may have spilled.
5. Reinstall the fuel cap.
6. Move the unit at least 30 ft. (9.1 m) from the fuel container and the fueling site before starting the engine.

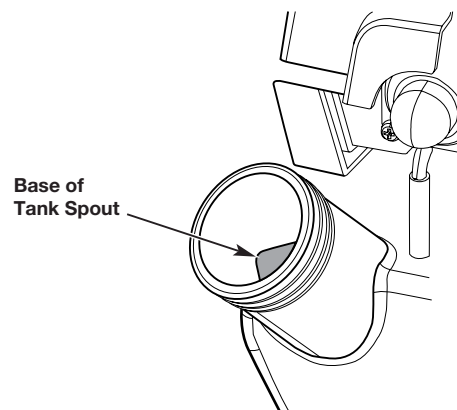


Fig. 6a



## STARTING AND STOPPING

### **WARNING:**

Do not allow familiarity with this product to make you careless. Remember that a careless fraction of a second is sufficient to inflict serious injury.

### **WARNING:**

Always wear eye protection with side shields marked to comply with ANSI Z87.1, along with hearing protection. Failure to do so could result in objects being thrown into your eyes and other possible serious injuries.

### **WARNING:**

Do not use any attachments or accessories not recommended by the manufacturer of this product. The use of attachments or accessories not recommended can result in serious personal injury.

### **WARNING:**

Operation of this equipment could create sparks that can start fires around dry vegetation. A spark arrestor may be required. The operator should contact local fire agencies for laws or regulations relating to fire prevention requirements.

### **USING THE RIGHT FUEL**

The use of old fuel is the most common cause of performance problems. Use only fresh, clean unleaded gaso- line.

**NOTE:** This unit has a four-cycle engine. DO NOT mix oil with gasoline.

### **Definition of Blended Fuels**

Today's fuels are often a blend of gasoline and oxygenates such as ethanol, methanol or MTBE (ether). Alcohol-blended fuel ab- sorbs water. As little as 1% water in the fuel can make fuel and oil separate, forming acids when stored. ALWAYS use fresh fuel (less than 30 days old) with less than 10% ethanol.

**NOTE:** Dispose of old fuel according to federal, state and local regulations.

### **Using Blended Fuels**

If using a blended fuel:

- Always use fresh unleaded gasoline
- Use the fuel additive STA-BIL® or an equivalent

### **WARNING:**

#### **DO NOT USE E85 FUEL IN THIS UNIT.**

It has been proven that fuel containing greater than 10% ethanol will likely damage this engine and void the warranty.

### **Using Fuel Additives**

Use a fuel additive, such as STA-BIL Fuel Stabilizer or an equivalent, to inhibit corrosion and minimize gum deposits. Add 0.8 oz. (23 ml) of fuel additive per gallon of fuel, according to the instructions on the container. NEVER add fuel additives directly to the unit's fuel tank.

### **WARNING:**

Operate this unit only in a well-ventilated outdoor area. Carbon monoxide exhaust fumes can be lethal in a confined area.

### **WARNING:**

Avoid accidentally starting the unit. To avoid serious injury, the operator and the unit must be in a stable position when pulling the starter rope (Fig. 10).

### **WARNING:**

Do not operate the unit inside a closed environment, such as a room or building; breathing carbon monoxide from exhaust fumes can kill.

### **CAUTION:**

Inspect unit before each use. Replace damaged parts. Check for fuel leaks. Make sure all fasteners are in place and secure. Replace cutting attachment parts that are cracked, chipped, or damaged in any way. Make sure the cutting attachment is properly installed and securely fastened. Make sure the cutting attachment shield is properly attached and in the position recommended by the manufacturer. Use only flexible, nonmetallic line recommended by the manufacturer. Never use, for example, wire or wire-rope, which can break off and become a dangerous projectile.

### **CAUTION:**

Clear the area to be cut before each use. Remove all objects such as rocks, broken glass, nails, wire, or string which can be thrown or become entangled in the cutting attachment. Clear the area of children, bystanders, and pets outside a 50 ft (15 m) radius: there is still a risk of injury from thrown objects outside the 50 ft (15 m) zone. Bystanders should be encouraged to wear eye protection.

If you are approached, stop the engine and cutting attachment. In the case of bladed units, there is the added risk of injury to bystanders from being struck with the moving blade in the event of a blade thrust or other unexpected reaction of the saw.

### **STARTING INSTRUCTIONS**

1. Check the oil level. Refer to Checking the Oil Level.
2. Fill the fuel tank. Refer to Fueling the Unit.

**NOTE:** There is no need to turn the unit on. The On/Off switch is in the On ( I ) position at all times (Fig. 7).

3. Slowly press and release the primer bulb 10 times (Fig. 8).
4. Push the choke button in until it clicks (Fig. 9).
5. Crouch in the starting position (Fig. 10).

**NOTE:** The choke automatically disengages when the throttle lockout and throttle are pressed.

6. Pull the starter rope with a controlled and steady motion 5 times to start the engine (Fig. 10). Allow the

engine to warm up for 30 to 60 seconds at idle speed before increasing cutting speed.

7. To increase trimmer cutting speed, press and hold the throttle lockout with one hand, and then squeeze the throttle control with the other. The further you squeeze the throttle control, the more the cutting speed will increase (Fig. 7).

**NOTE:** The lockout will remain engaged as long as the throttle control is being squeezed.

**NOTE:** To prevent the throttle control from being squeezed accidentally, this unit has a throttle lockout. The throttle control cannot be squeezed unless the throttle lockout is also engaged.

**IF...** the engine does not start, begin the starting procedure with step 3.

**IF...** the engine fails to start after 3 attempts: Press and hold the throttle lockout. Squeeze and hold the throttle control. Pull the starter rope with a controlled and steady motion until the unit starts.

**IF...** the engine stops while the throttle control is squeezed, begin the starting procedure with step 3.

**IF THE ENGINE IS HOT...** begin the starting procedure with step 4.

## STOPPING INSTRUCTIONS

1. Release the throttle control and allow the engine to idle.
2. Press and hold the On/Off switch in the Off (O) position until the engine comes to a complete stop (Fig. 7). Make sure the cutting attachment has stopped before the unit is set down.

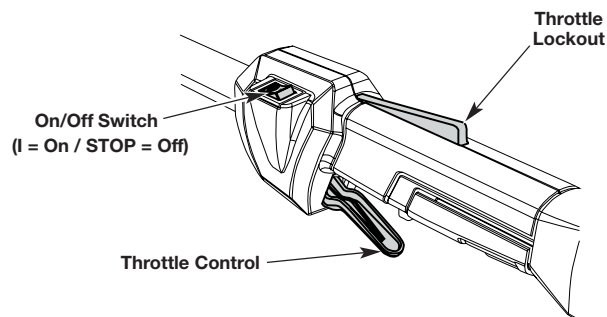


Fig. 7

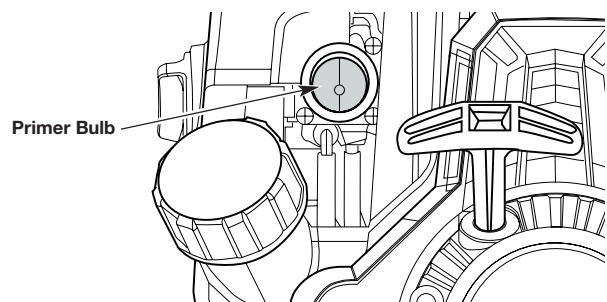


Fig. 8

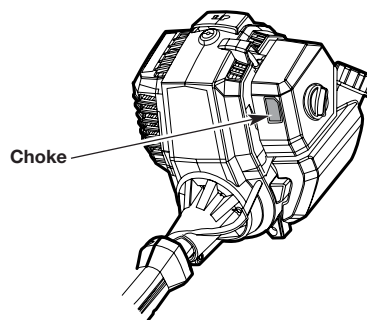


Fig. 9



Fig. 10

## HOLDING THE UNIT

### ⚠️ WARNING:

Always wear eye, hearing, hand, foot and body protection to reduce the risk of injury when operating this unit. Keep all parts of your body away from the rotating cutting attachment and hot surfaces.

### ⚠️ WARNING:

To prevent serious personal injury, avoid arm contact with the engine while operating the unit. The engine may be extremely hot.

- Stand in the operating position (Fig. 11). Stand up straight. Do not bend over.
- Keep feet apart and firmly planted.
- Hold the shaft grip with the right hand. Keep the right arm slightly bent.
- Hold the handle with the left hand. Keep the left arm straight.
- Hold the unit at waist level.
- Position the cutting head a few inches above the ground.
- Do not over-reach; Keep all parts of your body away from the rotating cutting attachment and hot surfaces.
- To direct clippings away from you, whenever possible swing the trimmer in a left to right cutting motion. There is an embossed arrow on the top of the safety guard indicating the preferred left to right direction of trimmer operation.

## DECORATIVE TRIMMING

When trimming around trees, posts, fences, etc., rotate the whole unit so that the cutting head is at a 30° angle to the ground (Fig. 12).

## Maintaining the Trimming Line

Hard surfaces, such as sidewalks, can cause the trimming line to wear down quickly or break.

- Frequently check the trimming line length. Replace the trimming line as needed. Refer to Replacing the Trimming Line.
- DO NOT force the unit. Make shallow cuts in as many passes as are necessary to achieve the desired depth. Cut at a slow, even pace.

## TRIMMING TIPS

- Avoid hot surfaces by always keeping the tool away from your body.
- Cut all grass from top to down. This will prevent grass from wrapping around the shaft housing and string head which could cause damage from overheating.
- If grass becomes wrapped around the string head, STOP THE ENGINE, disconnect the spark plug wire, and remove the grass.
- Use the tip of line to trim grass; do not force string head into uncut grass.
- Avoid trees, flowers, stones, walls and other objects which can cause the line to break.
- Check and feed the line regularly to maintain full cutting width and performance.



Fig. 11

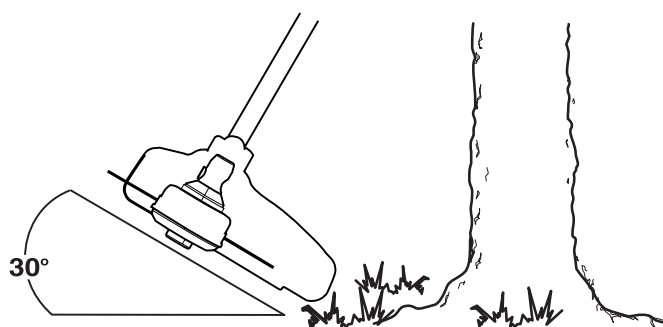


Fig. 12

## ADJUSTING THE TRIMMING LINE

This unit is equipped with a bump head. Trimming line can be released from the cutting head without stopping the engine. To release more line, lightly tap the bump knob on the ground (Fig. 13) while operating the unit at high speed. For best results, tap the bump knob on bare ground or hard soil. Attempting to release line in tall grass may stall the engine.

**NOTE:** Do not rest the cutting head on the ground while the unit is running.

Each time the bump knob is tapped, about 1 inch (25.4 mm) of trimming line is released.

**NOTE:** Always keep the trimming line fully extended. Line release becomes more difficult when the cutting line gets shorter.

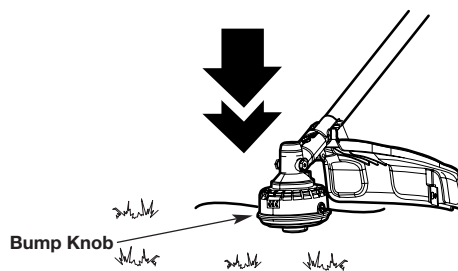


Fig. 13

## **CAUTION:**

Do not remove or alter the line cutting blade assembly. Excessive line length will make the unit overheat. This may lead to serious personal injury or damage to the unit.

### **TIPS FOR BEST RESULTS**

- To direct clippings away from the operator, tilt the cutting head slightly down to the right; whenever possible swing the trimmer in a left to right cutting motion. There is an embossed arrow on the top of the safety guard indicating the preferred left to right direction of trimmer operation.
- Do not trim wet grass or weeds.

**NOTE:** Some line breakage will occur from:

- Entanglement with foreign matter
- Normal line fatigue
- Attempting to cut thick vegetation
- Forcing the line into objects such as walls or fence posts

## **! WARNING:**

To avoid serious personal injury, always stop the engine and allow it to cool before cleaning or maintaining the unit. Never perform cleaning or maintenance while the unit is running. Disconnect the spark plug wire to prevent the unit from starting accidentally.

## **! WARNING:**

Wear protective clothing and observe all safety instructions to prevent serious personal injury.

## **! WARNING:**

Never use metal-reinforced line, wire, chain or rope. These can break off and become dangerous projectiles.

Only use the trimming line described in the Specifications section.

Other types of trimming line may cause the unit to overheat or fail.

### **REPLACING THE SPOOL (BUMP HEAD)**

1. Push in the tabs on the side of the spool retainer and pull to remove (Fig. 14).
2. Install the spring, washer, and rewind spool, making sure that the lines are captured in the holding slots on the new spool.

**NOTE:** Make sure that the ends of the lines extend approximately 6 in. (152 mm).

3. Install the new spool so that the line ends align with the eyelets in the cutting head, and thread the line ends through the eyelets.
4. Pull the lines extending from the cutting head so that the strings release from the slots in the spool.
5. Install the spool retainer by pressing the tabs into the slots and pushing down on the spool until the spool retainer clicks into place (Fig. 14).

### **REPLACING THE TRIMMING LINE (BUMP HEAD)**

1. Remove the spool from the cutting head.
2. Remove any old line from the spool. Use a clean cloth to clean the surface of the cutting head.
3. Cut a 15 ft. (4.5 m) length of 0.095 in. (2.4 mm) diameter trimming line.
4. Bend the line at the midpoint and insert the bend into the holding slot on the spool (Fig. 15).
5. Wrap the line evenly and firmly around the spool (Fig. 16).
6. Position the lines in the spool holding slots (Fig. 14).
7. Install the spool in the cutting head. See Replacing the Spool.

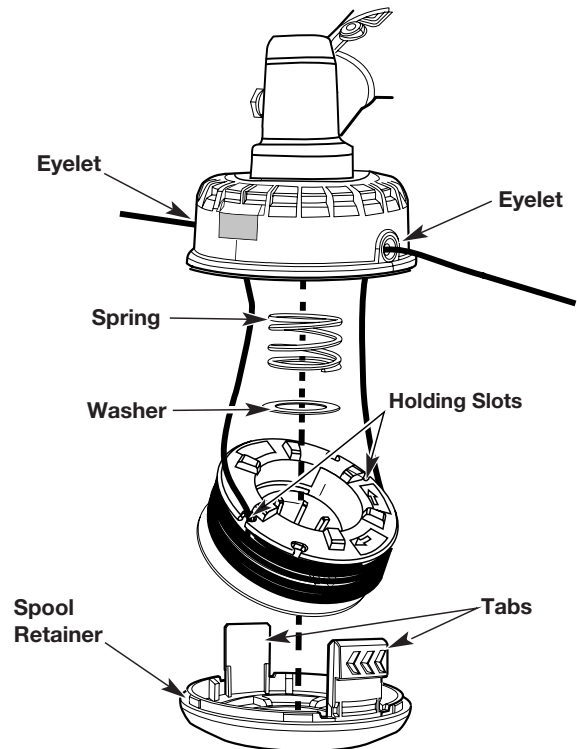


Fig. 14

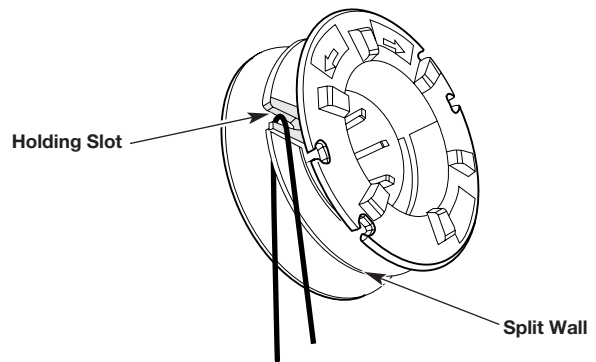


Fig. 15

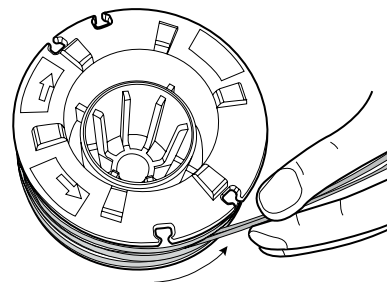


Fig. 16

## REPLACING THE TRIMMING LINE (FIXED LINE)

Cut a 16.25 in. length of 0.095 in. (2.4 mm) diameter line and thread it through the trimmer head (Fig. 17).

**NOTE:** To avoid vibration, make sure that equal lengths of line protrude through each side of the trimmer head.

**NOTE:** Several 16.25 in. lengths of black 0.130 in. (3.3 mm) spiral Line are supplied with this trimmer. This line is designed for cutting larger weeds and light brush.

## CHANGING THE CUTTING HEAD FROM BUMP TO FIXED

1. Insert the Torx wrench into the locking hole on the top of the gear box (Fig. 18).
2. Apply light pressure on the wrench while turning the bump head clockwise. At a certain point you will feel the head catch on the wrench when the wrench tip slips into the notch on the head collar.
3. Continue turning head clockwise to unscrew and remove the head from the arbor.
4. Screw the fixed head counterclockwise onto the arbor until securely tightened (Fig. 18a). Remove the Torx wrench from the locking hole.
5. To reinstall the bump head, perform the preceding instructions in the opposite order and manner.

## MAINTENANCE SCHEDULE

Perform these required maintenance procedures at the frequency stated in the table. These procedures should also be a part of any seasonal tune-up.

**NOTE:** Some maintenance procedures may require special tools or skills. If you are unsure about these procedures, take the unit to a qualified service dealer.

**NOTE:** Maintenance, replacement, or repair of the emission control devices and system may be performed by a qualified service dealer.

**NOTE:** Please read the California/EPA statement that came with the unit for a complete listing of terms and coverage for the emissions control devices, such as the spark arrestor, muffler, carburetor, etc.

FREQUENCY	MAINTENANCE REQUIRED
Every 10 hours	<ul style="list-style-type: none"> <li>• Clean and re-oil the air filter. Refer to Maintaining the Air Filter.</li> </ul>
Every 20 hours	<ul style="list-style-type: none"> <li>• Change the oil. Refer to Changing the Oil.</li> </ul>
After the first 10 hours and at 38 hours	<ul style="list-style-type: none"> <li>• Have the rocker arm clearance checked by a qualified service dealer.</li> <li>• Check the spark plug condition and gap. Refer to Maintaining the Spark Plug.</li> </ul>

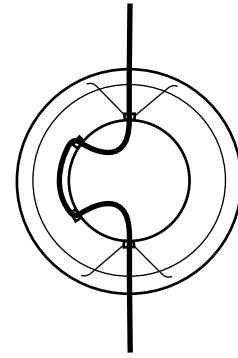


Fig. 17

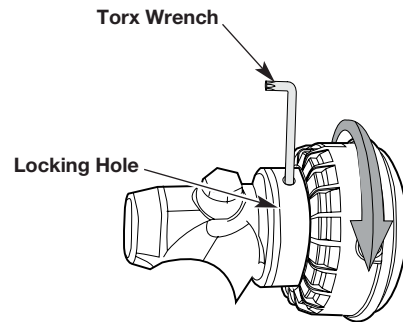


Fig. 18

## CHECKING THE OIL LEVEL

### **! WARNING:**

Check the oil level before each use. The importance of maintaining the proper oil level cannot be overemphasized.

### Inspecting the Oil Level

1. Stop the engine and allow it to cool.
2. Set the unit on a flat, level surface, such as a workbench or table. The cutting head shield should hang over the edge so that the engine is level (Fig. 19).

**NOTE:** Failure to keep the engine level may result in a faulty oil level reading.

3. Unscrew the oil fill plug. The oil level should be visible on the first thread of the oil reservoir (Fig. 20). If the oil level is too low, add oil. Refer to Adding Oil.

### Adding Oil

1. Clean the area around the oil fill plug (Fig. 20) to prevent debris from entering the oil fill hole.
2. Unscrew the oil fill plug.
3. Add oil to the oil fill hole until the oil level is visible on the first thread of the oil reservoir (Fig. 20).

### **! WARNING:**

DO NOT overfill the oil level. Overfilling will result in too much oil in the engine crankcase, and may cause smoke or fumes that can injure the user.

- If the oil level is too high, tip the unit and drain the excess oil into an appropriate container.
4. Wipe up any oil that may have spilled.
  5. Make sure the O-ring is in place on the oil fill plug (Fig. 21).
  6. Reinstall the oil fill plug.



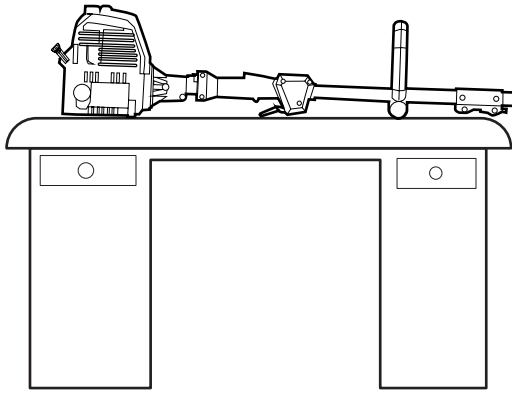


Fig. 19

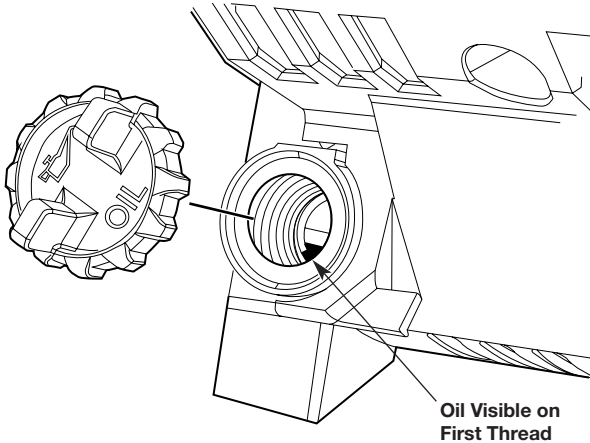


Fig. 20

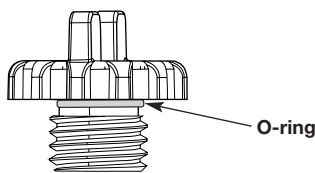


Fig. 21

## CHANGING THE OIL

### **⚠️ WARNING:**

Old engine oil is considered special waste and has to be disposed according to your local environment protection regulation. Do not pour the oil into a garbage can, sewer, soil etc.

Change the oil while the engine is still warm. The oil will flow freely and carry away more impurities.

1. Clean the area around the oil fill plug (Fig. 20) to prevent debris from entering the oil fill hole.
2. Unscrew the oil fill plug.
3. Tip the unit vertically to pour the oil out of the oil fill hole and into a container (Fig. 22). Allow ample time for complete drainage.

**NOTE:** Dispose of the old oil according to federal, state and local regulations.

4. Wipe up any oil that may have spilled.
5. Pour 2.03 fl.oz. (60 ml) of SAE 30 oil into the oil fill hole.

### **⚠️ WARNING:**

DO NOT overfill the oil level. Overfilling will result in too much oil in the engine crankcase, and may cause smoke or fumes that can injure the user.

6. Wipe up any oil that may have spilled.
7. Make sure the O-ring is in place on the oil fill plug (Fig. 21).
8. Reinstall the oil fill plug.

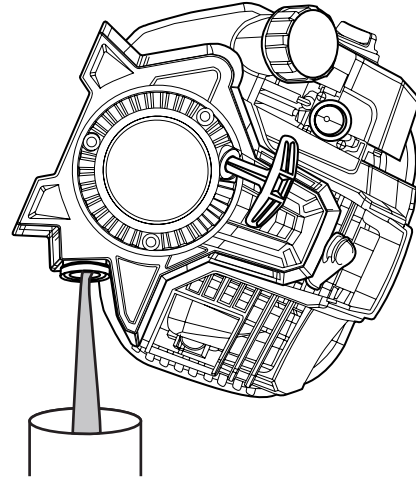


Fig. 22

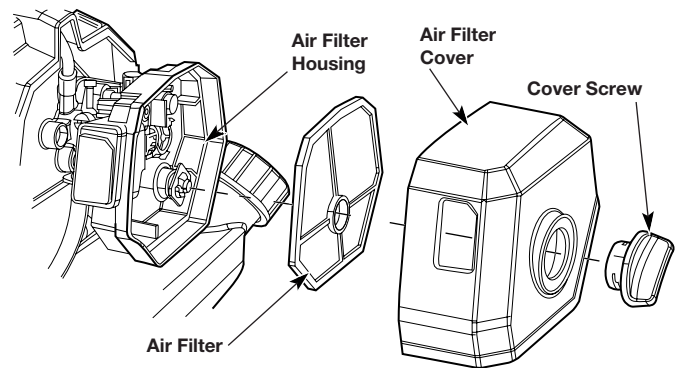


Fig. 23

## MAINTAINING THE AIR FILTER

Failure to maintain the air filter can result in poor performance or can cause permanent damage to the engine. Engine failure due to improper air filter maintenance is not covered by the product warranty.

### Cleaning the Air Filter

1. Unscrew the cover screw completely. Remove the air filter cover from the air filter housing (Fig. 23).
2. Remove the air filter from the air filter housing.
3. Wash the air filter in detergent and water. Rinse the air filter thoroughly and allow it to dry.
4. Reinstall the air filter in the air filter housing (Fig. 23).

**NOTE:** Operating the unit without the air filter and air filter cover will VOID the warranty.

5. Insert the tab on the air filter cover into the hole in the air filter housing. Push the air filter cover back onto the air filter housing. Insert the cover screw into the air filter cover. Tighten the cover screw to secure the air filter cover (Fig. 23).

**NOTE:** Do not overtighten as this may strip the screw.

## ADJUSTING THE IDLE SPEED

### **⚠️ WARNING:**

The cutting head will move when adjusting the idle speed. Wear all protective clothing and keep all bystanders, children, and pets at least 50 ft. away. Make adjustments with the unit supported by hand so that the cutting head does not contact the ground or any object. Keep all parts of your body away from the cutting head and muffler. Failure to follow these instructions could result in serious personal injury.

If the engine will not idle properly:

1. Start the engine. Refer to Starting and Stopping.
  2. Release the throttle control and let the engine idle.
- If the engine stops, increase the idle speed. Use a small Phillips screwdriver to turn the idle speed screw clockwise, 1/8 of a turn at a time, until the engine idles smoothly (Fig. 24).
  - If the cutting head spins when the engine idles, reduce the idle speed. Turn the idle speed screw counterclockwise, 1/8 of a turn at a time, until the cutting head stops moving (Fig. 24).

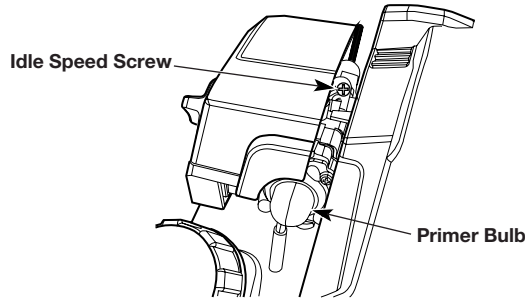


Fig. 24

### **⚠️ WARNING:**

The cutting attachment should never turn at idle. Turn the idle speed screw counterclockwise to reduce the idle RPM and stop the cutting attachment, or contact customer support for adjustment and discontinue use until the repair is made. Serious personal injury could result from the cutting attachment turning at idle.

## MAINTAINING THE SPARK PLUG

1. Stop the engine and allow it to cool. Grasp the spark plug boot firmly and pull it from the spark plug.
2. Clean around the spark plug. Remove the spark plug from the cylinder head with a 5/8-inch socket, turning counterclockwise.

**NOTE:** A 5/8-inch spark plug wrench is supplied with this trimmer.

### **⚠️ CAUTION:**

Do not remove the spark plug when the engine is hot.

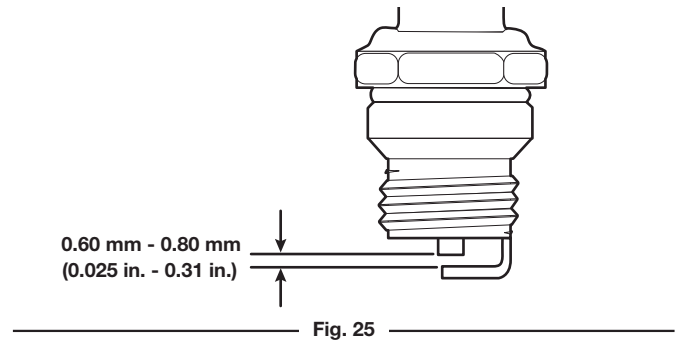
### **⚠️ CAUTION:**

Do not sand blast, scrape or clean spark plug electrodes. Grit in the engine could damage the cylinder.

3. Inspect the spark plug. If the spark plug is cracked, fouled or dirty, replace it with replacement part #AM5RC or an equivalent spark plug.
4. Use a feeler gauge to set the air gap at 0.6 mm - 0.8 mm (0.025 in. - 0.31 in.) (Fig. 25).
5. Install the spark plug in the cylinder head. Tighten the spark plug with a 5/8-inch socket, turning it clockwise until snug.

**NOTE:** If using a torque wrench, torque to 18 N•m (159 in.•lb.). Do not over tighten.

6. Reattach the spark plug boot.



## CLEANING

### **WARNING:**

To avoid serious personal injury, always stop the engine and allow it to cool before cleaning or maintaining the unit.

Use a small brush to clean the outside of the unit. Do not use strong detergents. Household cleaners that contain aromatic oils such as pine and lemon, and solvents such as kerosene, can damage plastic. Wipe off any moisture with a soft cloth.

## STORAGE

- Never store a fueled unit where fumes may reach an open flame or spark.
- Allow the engine to cool before storing.
- Lock up the unit to prevent unauthorized use or damage.
- Store the unit in a dry, well-ventilated area.
- Store the unit out of the reach of children.

### **Short-term Storage (1-2 weeks)**

Store the unit in a horizontal position. If not possible, store the unit vertically with the engine at the top.

### **Long-term Storage**

1. Remove the fuel cap, tip the unit and drain the fuel into an approved container. Reinstall the fuel cap.
2. Start the engine and allow it to run until it stalls. This ensures that all fuel has been drained from the carburetor.
3. Allow the engine to cool. Remove the spark plug and put 5 drops of any high quality motor oil into the cylinder. Pull the starter rope slowly to distribute the oil. Reinstall the spark plug.
4. Thoroughly clean the unit and inspect it for any loose or damaged parts. Repair or replace damaged parts and tighten loose screws, nuts or bolts.
5. Store the unit in a horizontal position. If horizontal storage is not possible, store unit vertically with engine at top.

### **Preparing the Unit for Use after Long-term Storage**

1. Remove the spark plug. Tip the unit and drain all of the oil from the cylinder into an approved container. Reinstall the spark plug.
2. Change the oil. Refer to Changing the Oil.

**NOTE:** Do not use fuel that has been stored for more than 30 days. Dispose of old fuel and oil according to federal, state and local regulations.

## TRANSPORTATION

Transport the unit in a horizontal position. If not possible, transport the unit vertically with the engine at the top. Secure the trimmer shaft to prevent damage during transport.

## TROUBLESHOOTING

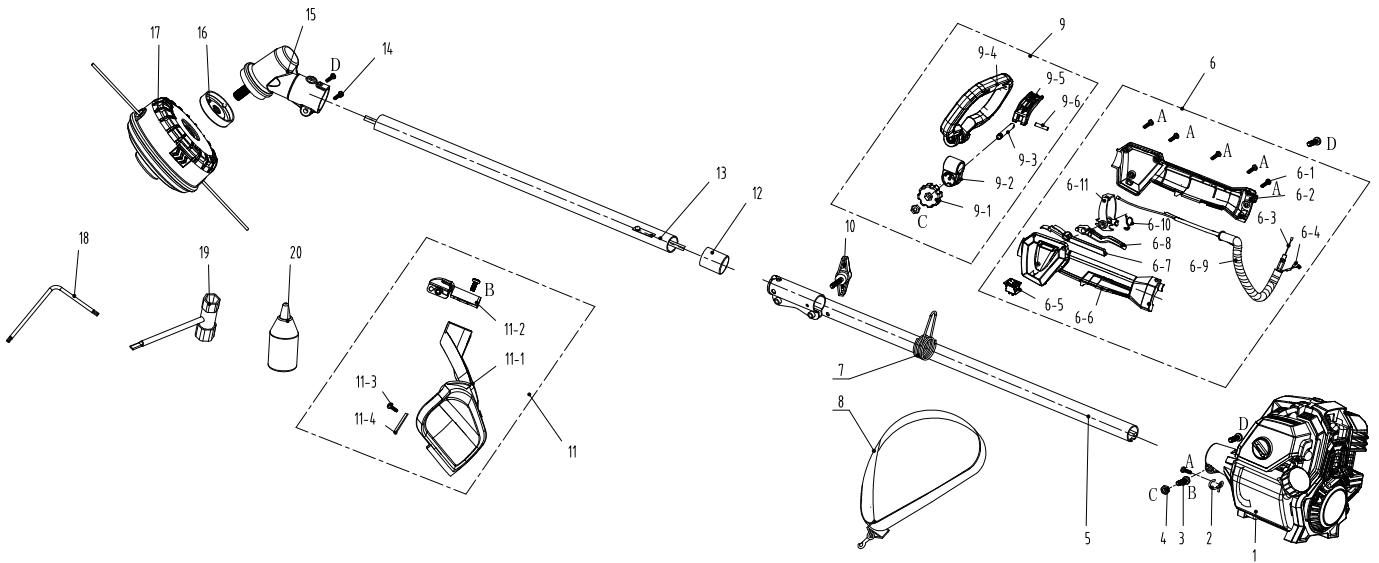
### PROBLEM

### SOLUTION

<b>PROBLEM</b>	<b>SOLUTION</b>
<b>THE ENGINE WILL NOT START</b>	
The fuel tank is empty	Fill the fuel tank with fresh fuel
The primer bulb was not pressed enough	Press the primer bulb 10 times
The fuel is old (over 30 days)	Drain the fuel tank and add fresh fuel
The spark plug is fouled	Replace the spark plug
<b>THE ENGINE WILL NOT IDLE</b>	
The air filter is dirty	Clean or replace the air filter
The fuel is old (over 30 days)	Drain the fuel tank and add fresh fuel
<b>THE ENGINE WILL NOT ACCELERATE</b>	
The fuel is old (over 30 days)	Drain the fuel tank and add fresh fuel
The cutting head is bound with grass	Stop the engine and clean the cutting head
The air filter is dirty	Clean or replace the air filter
<b>THE ENGINE LACKS POWER OR STALLS</b>	
The fuel is old (over 30 days)	Drain the fuel tank and add fresh fuel
The air filter is dirty	Clean or replace the air filter
The spark plug is fouled	Replace the spark plug

If further assistance is required, take the unit to a qualified service dealer.

# PARTS



No.	Part #	Description	Qty.
1	103001000297	Engine head	1
2	201999001337	Tube fixed circle	1
3	207310100743	Screw	1
4	207320100013	Hexagon nut	2
5	199999001314	-	1
6	199004000604	Handle assembly	1
6-1	207310100263	Screw	6
6-2	202024002102	Hand shank	1
6-3	199081000107	Cable assembly	1
6-4	199999001152	Stopping wire	1
6-5	207180200023	Switch	1
6-6	202024002101	Hand shank	1
6-7	202042000207	Driving lever	1
6-8	202004000897	Trigger	1
6-9	303000003	Wire cover	1
6-10	207019900345	Return spring	1
6-11	202999001491	Control circle	1
7	201024000009	Harness ring	1
8	208008000051	Harness	1
9	199004000605	Handle assembly	1
9-1	202028000109	Knob	1

No.	Part #	Description	Qty.
9-2	202999001665	Front handle seat	1
9-3	201026000343	Shaft	1
9-4	202024002114	Hand shank	1
9-5	202004000898	Trigger	1
9-6	207199900105	Center support pin	1
10	202028000102	Knob	1
11	199048000132	Shield screen assy'	1
11-1	202012000417	Shield	1
11-2	201057000219	Clamp	1
11-3	207310101121	Screw	1
11-4	201045000165	Blade	1
12	202023000077	Plug	1
13	199999001284	Front straight pipe assembly	1
14	207310100738	Screw	1
15	199999001283	Gear box assembly	1
16	201999001339	Fixed tray	1
17	199023000066	Grass head assy'	1
18	208008000040	Wrench	1
19	207179900014	Trigger	1
20	202999001673	Oil pot	1

For replacement parts, email: [parts@SENIXtools.com](mailto:parts@SENIXtools.com).

# WARRANTY

## LIMITED THREE-YEAR WARRANTY

3-year limited warranty on all Senix 4QL series gasoline powered equipment. FOR THREE YEARS from the original date of retail purchase this Senix product is warranted against defects in materials or workmanship on power tools. Defective product will receive free repair.\*

This warranty does not cover normal wear of parts and components such as cutting chain, line or blades nor does this warranty cover product transportation cost for warranty or service.

Warranty is subject to the following conditions:

- Warranty applies to the original purchaser at retail and is not transferrable\*
- Warranty Registration at [www.senixtools.com](http://www.senixtools.com)
- The tool has not been misused, abused, neglected, altered, modified or repaired by anyone other than an authorized service center
- Only genuine Senix accessories have been used with or on this product
- The tool has been subjected to normal wear and tear
- The tool has not been used for trade or professional purposes
- The tool has not been used for rental purposes
- This warranty only covers defects arising under normal usage and does not cover any malfunction, failure or defect resulting from misuse, abuse (including overloading the product, exposure to water or rain) accidents, neglect or lack of proper installation and improper maintenance or storage.

To locate your nearest Senix service provider call toll free at 800-261-3981 or email us at [service@senixtools.com](mailto:service@senixtools.com).

## Additional Limitations

Any implied warranty granted under state law, including warranties of merchantability or fitness for a particular purpose, are limited to three years from the date of purchase on power tools and chargers and seven years on batteries. The manufacturer is not responsible for direct, indirect, incidental or consequential damages. Some states and provinces do not allow limitations on how long an implied warranty lasts and/or do not allow the exclusion or limitation of incidental damages, so the above limitations and exclusions may not apply to you. This warranty gives you specific legal rights, and you may also have other rights which vary from state to state or province to province.

The YAT USA declines any responsibility in regard to civil liability arising from abusive use or not in conformity with proper use and maintenance of the machine as described in the operator's manual.

YAT USA is not responsible for direct, indirect, incidental or consequential damages.

After the purchase, the manufacturer recommends proper maintenance of the machine and to read the operator's manual before using the machine.

\*Original purchase receipt may be required for proof of purchase

For customer service contact us toll free at 1-800-261-3981 or [Senixtools.com](http://Senixtools.com).

YAT USA, Inc. 9048 E Bahia Dr, suite 105, Scottsdale, AZ 85260

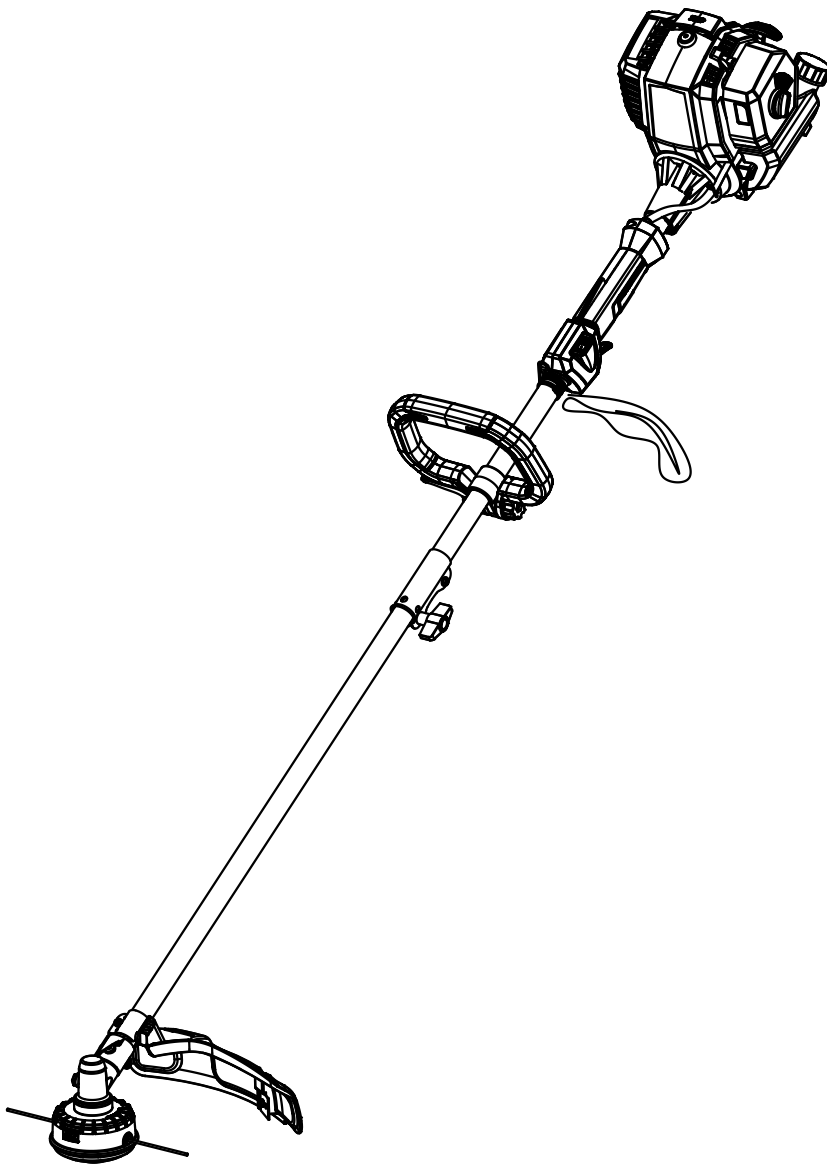




---

# Cortador a gasolina con motor de 4 ciclos de 1.9 pulg. cúb. (31 cc)

Manual del operador  
Modelo: GTS4QL-M2



Para el servicio de asistencia al cliente, llame al 1-800-261-3981 o envíe un correo electrónico a:

[Service@senixtools.com](mailto:Service@senixtools.com)

CONSERVE ESTE MANUAL PARA REFERENCIA EN EL FUTURO.

## NDICE

SEGURIDAD.....	22
CONOZCA SU UNIDAD.....	25
ESPECIFICACIONES*.....	25
ENSAMBLAJE.....	26
ACEITE Y COMBUSTIBLE.....	28
PUESTA EN MARCHA Y DETENCIÓN.....	30
OPERACIÓN.....	32
MANTENIMIENTO.....	34
LIMPIEZA Y ALMACENAMIENTO.....	38
DETECCIÓN Y SOLUCIÓN DE PROBLEMAS.....	39
PIEZAS.....	40
GARANTÍA.....	41

## SEGURIDAD

### ⚠ PELIGRO:

Indica un peligro EXTREMO.

Si no sigue el símbolo de seguridad de PELIGRO, se producirá una lesión grave o la muerte, lo que dará como resultado una lesión graves o la muerte tanto para usted como para los demás.

### ⚠ ADVERTENCIA:

El petróleo crudo, la gasolina, el combustible diésel y otros derivados del petróleo pueden exponerlo a sustancias químicas, incluyendo tolueno y benceno, cuyos efectos son reconocidos por el Estado de California por causar cáncer y defectos de nacimiento u otros daños reproductivos. Estas exposiciones pueden ocurrir cerca de campos petrolíferos, refinerías, plantas químicas, operaciones de transporte y almacenamiento, como tuberías, terminales marítimos, camiones cisterna y otras instalaciones y equipos. Para mayor información, visite:

[www.P65Warnings.ca.gov/petroleum](http://www.P65Warnings.ca.gov/petroleum).

### ⚠ ADVERTENCIA:

Indica un peligro GRAVE. Si no sigue el símbolo de seguridad de ADVERTENCIA se PUEDE producir una lesión grave, tanto para usted como para los demás.

### ⚠ PRECAUCIÓN:

Indica un peligro MODERADO.

Si no sigue el símbolo de seguridad de PRECAUCIÓN se PODRÍA producir un daño a la propiedad o una lesión, tanto para usted como para los demás.

**NOTA:** Le avisa que hay información o instrucciones vitales para la operación o el mantenimiento de los equipos.

### ⚠ ADVERTENCIA:

#### PROPUESTA 65 DE CALIFORNIA

Este producto contiene un químico, cuyos efectos son reconocidos por el Estado de California por causar cáncer, defectos de nacimiento u otros daños reproductivos.

**Lea el manual del operador y siga todas las advertencias e instrucciones de seguridad. Si no lo hace, puede producirse una lesión grave que afecte al operador y/o a los transeúntes.**

### • SÍMBOLOS DE SEGURIDAD E INTERNACIONALES •

El presente manual del operador describe los símbolos de seguridad e internacionales, así como los pictogramas que pueden aparecer en este producto. Lea el manual del operador para consultar la información completa sobre seguridad, ensamblaje, operación, mantenimiento y reparación.

SÍMBOLO	NOMBRE	SIGNIFICADO
	Manténgase alerta	Este gráfico acompañado por las palabras ADVERTENCIA, PELIGRO O PRECAUCIÓN llama la atención hacia una acción de una condición que puede conllevar a una LESIÓN GRAVE.
	Lea el Manual del operador	Lea el manual del operador (6) y siga todas las advertencias e instrucciones de seguridad. Si no lo hace, puede producirse una lesión grave que afecte al operador y/o a los transeúntes.
	Use protección para la vista y la audición.	Siempre use protección para la vista, protección para la audición y protección para la cabeza que cumpla con las normas ANSI Z87.1.
	Use protección para los pies	Use protección para los pies
	Use guantes	Use guantes
		Tenga cuidado de las lesiones a los pies causadas por los aditamentos de corte.
		Tenga cuidado de los objetos proyectados por los aditamentos de corte. Nunca use la unidad sin una protección correctamente montada.
		Manténgase a 15 metros de distancia de cualquier otra persona.
		Tenga cuidado de los objetos proyectados por los aditamentos de corte. Nunca use la unidad sin una protección correctamente montada.
		No instale ningún tipo de cuchilla en la unidad que muestre este símbolo.
<b>72dB(A)</b> <small>MEASURED AT 50FT. (15M) PER ANSI B175.3</small>		Nivel de presión acústica para los transeúntes: 72dB(A)

## ADVERTENCIAS DE SEGURIDAD

1. Se deben observar las precauciones de seguridad adecuadas. Como con todos los equipos eléctricos, esta unidad se debe manipular cuidadosamente. **NO SE EXPONGA NI USTED MISMO NI A LOS DEMÁS AL PELIGRO.** Siga estas reglas generales. No permita que otra personas usen esta unidad a menos que sean muy responsables y que hayan leído y comprendido el manual del cortador de hilo que estén capacitados en su operación.
2. Siempre use gafas de seguridad para la protección a la vista. Vístase correctamente. No vista ropa suelta ni use joyas que pudieran enredarse en las partes móviles de la unidad. Siempre debe usarse un calzado seguro, sólido y antideslizante. Átase el cabello para que esté por encima del nivel del hombro. Se recomienda cubrir las patas y piernas para protegerse de los escombros que vuelen durante la operación.
3. Inspeccione toda la unidad en busca de piezas sueltas (tuercas, pernos, tornillos, etc.) y cualquier daño antes de comenzar y de operar. Repare o reemplace según sea necesario antes de usar la máquina.
4. **NO USE** ningún aditamento con este cabezal de energía que no sean los recomendados por el fabricante. Como resultado, se podría producir una lesión grave al operador o a los transeúntes, así como un daño a la máquina.
5. Mantenga las asas sin aceite ni combustible.
6. No opere la unidad bajo condiciones de iluminación deficientes.
7. No opere la unidad cuando esté cansado, cuando su concentración se hay deteriorado y/o esté bajo la influencia de drogas, medicamentos o alcohol.
8. Siempre use las asas adecuadas cuando corte.
9. No fume mientras llene el tanque.
10. No llene el combustible en una habitación cerrada o cerca de llamas abiertas. Asegúrese que haya ventilación adecuada.
11. Siempre guarde en un contenedor correctamente marcado que sea aprobado por códigos y ordenanzas locales para dicho uso.
12. Nunca retire el tapón del tanque de combustible cuando el motor esté encendido.
13. Nunca arranque u opere el producto dentro de una habitación o edificio cerrado. Los vapores del escape contienen el peligroso monóxido de carbono.
14. Nunca intente hacer ajustes al motor mientras la unidad esté encendida. Siempre realice ajustes al motor con la unidad descansando sobre una superficie plana y despejada.
15. No use la unidad si está dañada o mal ajustada. Nunca retire la protección de la unidad. Como resultado, se podría producir una lesión grave al operador o a los transeúntes, así como un daño a la máquina.
16. Inspeccione el área a cortar y retire todos los escombros que pudieran atascarse en el cabezal de corte de nylon. También retire cualquier objeto que la unidad pueda arrojar durante el corte.
17. Mantenga a los niños alejados. Los observadores deben estar a una distancia segura del área de trabajo, al menos a 15 METROS (50 PIES) de distancia.
18. Nunca deje la unidad desatendida mientras el motor esté encendido.
19. No use esta unidad para ningún otro trabajo para el que ha sido previsto, como se describe en este manual.
20. No se estire demasiado. Mantenga su posición de pie y su equilibrio en todo momento. No use la unidad mientras esté parado sobre una escalera de tijera o sobre cualquier otro lugar inestable.
21. Mantenga las manos y pies a una distancia segura de la línea de corte de nylon mientras la unidad esté en uso.
22. No use este tipo de unidad para limpiar los escombros.
23. Use un cabezal de corte de nylon que no presente daños. Si se golpea una piedra o algún otro obstáculo, detenga el motor y verifique el cabezal de corte de nylon. Nunca debe usarse un cabezal de corte de nylon roto o desequilibrado.
24. **SIGA LAS INSTRUCCIONES** para el ensamblaje y la operación.
25. No guarde la unidad en un área cerrada donde los vapores del combustible puedan alcanzar una llama abierta de calderos de agua, hornos, etc. Guárdela solamente en un área bien ventilada y asegurada.
26. Asegure el rendimiento seguro y adecuado de su unidad. Solo use accesorios originales. El uso de otros accesorios o aditamentos puede causar un peligro o lesión potencial al usuario, daños a la unidad e invalidar la garantía.
27. Si la unidad no va a ser utilizada por largo tiempo, limpie la unidad completamente, especialmente el tanque de combustible/aceite, sus alrededores y el filtro de aire.
28. Cuando reabastezca de combustible, detenga el motor y confirme que se haya enfriado. Nunca reabastezca de combustible cuando el motor esté encendido o caliente. Cuando haya una fuga de gasolina, asegúrese de limpiarla completamente y deseché esos materiales antes de arrancar el motor.
29. Permanezca alejado de los demás trabajadores o transeúntes al menos a una distancia de 15 metros/50 pies.
30. Cuando usted se acerque a un operador de la unidad, llame su atención cuidadosamente y confirme que haya detenido el motor. Tenga cuidado de no sorprender o distraer al operador, lo que podría causar una situación insegura.
31. Nunca toque el cabezal de corte de nylon cuando el motor esté en marcha. Si es necesario ajustar el protector o el cabezal de corte de nylon, asegúrese de detener el motor y confirme que el cabezal de corte de nylon se ha detenido.
32. El motor tiene que apagarse cuando se mueve la unidad a distintas áreas de trabajo.
33. Tenga cuidado de no golpear el cabezal de corte de nylon contra las piedras o el suelo. Una operación irrazonable y descuidada acortará la vida de la

- unidad, además de crear un entorno inseguro para usted o para quienes se encuentran a su alrededor.
34. Preste atención a las piezas sueltas o sobrecalentadas. Si se produce alguna anomalía de la unidad, detenga la operación inmediatamente y verifique la unidad cuidadosamente. De ser necesario, que la unidad sea revisada por el servicio de asistencia al cliente. Nunca siga operando una unidad que pudiera estar defectuosa.
  35. Al momento del arranque o durante la operación del motor, nunca toque las piezas calientes, como el amortiguador, al alambre de alta tensión o la bujía.
  36. Luego que el motor se ha detenido, el amortiguador sigue caliente. Nunca coloque la unidad en lugares donde haya materiales inflamables (césped seco, etc.), gases combustibles o líquidos combustibles.
  37. Preste particular atención a la operación en la lluvia o justo después de la lluvia, ya que el suelo podría estar resbaloso.
  38. Si se resbala o cae al suelo, suelte la palanca del acelerador inmediatamente.
  39. Tenga cuidado de no dejar caer la unidad o de golpearla contra los obstáculos.
  40. Antes de proceder a ajustar o reparar la unidad, asegúrese de detener el motor y desenganchar la bujía.
  41. Cuando la máquina se coloca en el almacenamiento durante un largo tiempo, drene el combustible/aceite del tanque de combustible/aceite y del carburador, limpie las piezas y mueva la máquina a un lugar seguro.
  42. Realice inspecciones periódicas para garantizar una operación segura y eficiente. Para una inspección minuciosa de su unidad, contacte el servicio de asistencia al cliente.
  43. Mantenga la unidad lejos del fuego o de las chispas.
  44. Mantenga su cuerpo caliente, especialmente la cabeza, el cuello, los pies, los tobillos, las manos y las muñecas.
  45. Mantenga una buena circulación de la sangre realizando ejercicios vigorosos con los brazos durante los descansos frecuentes en el trabajo y también no fumando.
  46. Limite las horas de operación.
  47. Si sufre molestias, enrojecimiento e hinchazón de los dedos, seguido de decoloración y pérdida de sensibilidad, consulte a su médico antes de exponerse aún más al frío y a las vibraciones.
  48. Siempre use protección para la audición. Los ruidos fuertes durante períodos prolongados pueden causar pérdida de la audición, incluso sordera permanente.
  49. Use guantes de trabajo resistentes y antideslizantes para mejorar su agarre en el asa. Los guantes también reducen la transmisión de las vibraciones de la máquina a sus manos.

## **ADVERTENCIA:**

El cabezal de hilo es todavía peligroso mientras la máquina avanza sin esfuerzo hasta detenerse.

50. No coloque la máquina de costado; de lo contrario el combustible puede derramarse.
51. La evaporación del combustible durante el reabastecimiento de combustible y los gases de escape son perjudiciales para el operador y la gente alrededor de la unidad.
52. Asegúrese que la evaporación del combustible y los gases de escape no se desplacen a la cara del operador y mantenga a otras personas fuera de su área de trabajo.
53. No permita que niños o personas no capacitadas usen esta unidad.

## **RIESGOS RESIDUALES**

### **ADVERTENCIA:**

Incluso cuando la unidad sea utilizada como se indica, no es posible eliminar todos los factores de riesgo residuales. Los siguientes peligros pueden surgir en conexión con la construcción y el diseño de la unidad.

- Los pulmones pueden dañarse si no se usa una mascarilla antipolvo efectiva.
- La audición puede dañarse si no se usa una protección contra los oídos efectiva.
- Los defectos de salud que sean resultado de la emisión de vibraciones si la unidad se usa por largos períodos de tiempo o si no se maneja o mantiene adecuadamente.

### **ADVERTENCIA:**

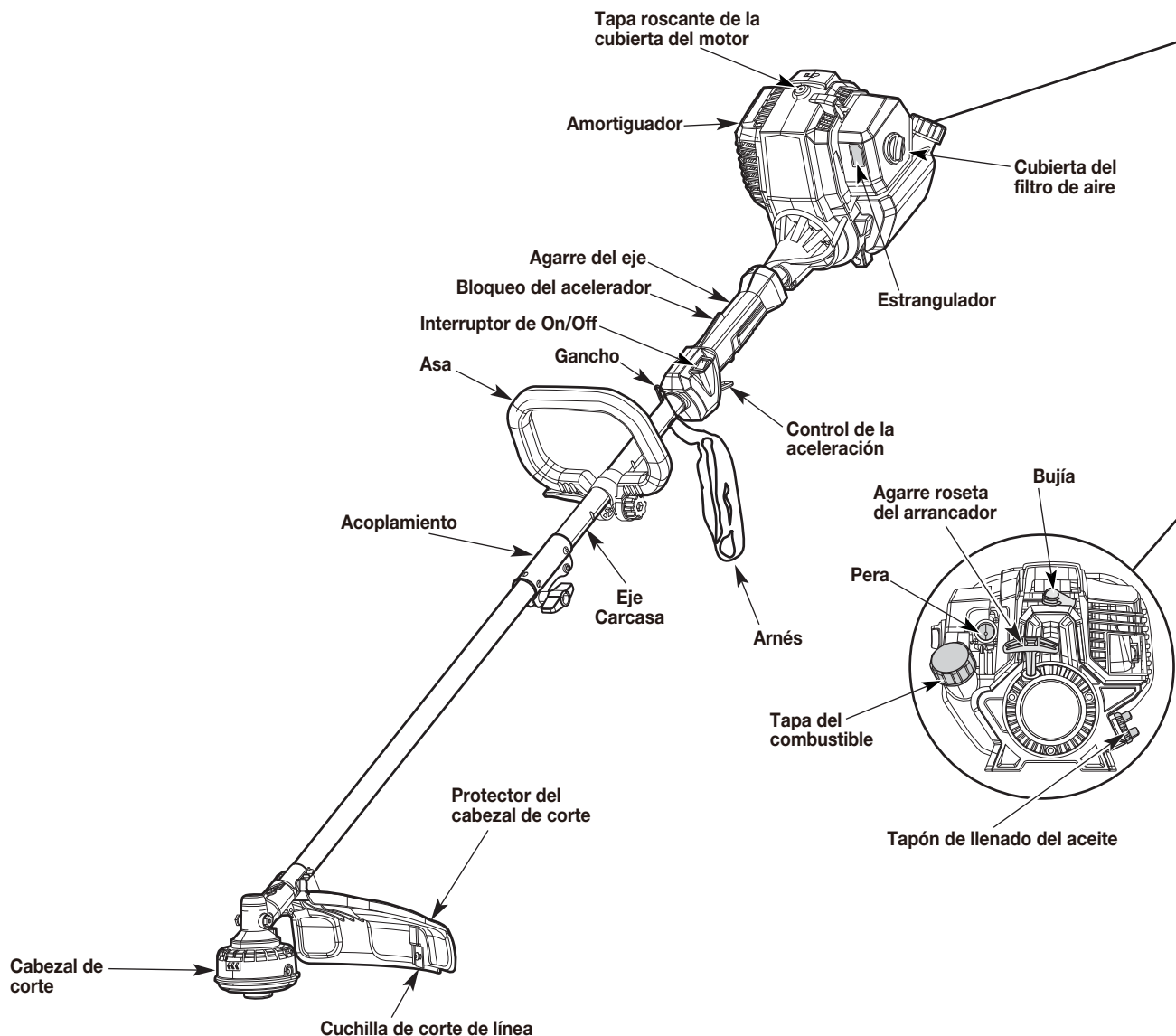
Esta unidad produce un campo electromagnético durante su operación. Este campo puede interferir, bajo ciertas circunstancias, con implantes médicos activos o pasivos. Para reducir el riesgo de lesión seria o mortal, recomendamos que las personas con implantes médicos consulten primero con su doctor y el fabricante del implante antes de operar esta unidad.

## CONOZCA SU UNIDAD

### APLICACIONES

Como cortador:

- Corte de césped y mala hierba leve.
  - Corte de bordes
  - Recorte decorativo alrededor de árboles, cercas, etc.
- Se puede usar otros aditamentos opcionales con esta unidad.



## ESPECIFICACIONES\*

Tipo de motor.....	Refrigerado por aire, 4 ciclos
Cilindrada.....	1.9 pulg. cúb. (31 cc)
Brecha de la bujía.....	0.025 pulg. - 0.31 pulg. (0.6 - 0.8 mm)
Lubricación.....	Aceite SAE 30
Capacidad de lubricación del cárter.....	2.01 oz. (60 ml)
Capacidad del tanque de aceite.....	10.93 oz. (320 ml)
Peso aproximado de la unidad (sin combustible).....	11.84 lbs. (5.37 kg)
Mecanismo de corte.....	Alimentador de cabezal o Cabezal de la línea fija
Línea de corte.....	Línea de corte en espiral
Diámetro de la línea de corte.....	0.095 pulg. (2.4 mm)
Diámetro del recorrido de corte (N.º de modelo 74098*).....	17.7 pulg. (450 mm)

\* Todas las especificaciones se basan en la información más reciente del producto que se encuentra disponible al momento de la impresión. Nos reservamos el derecho a realizar modificaciones en cualquier momento y sin previo aviso.



## ENSAMBLAJE

Este producto requiere ensamblaje. Retire cuidadosamente el producto y los accesorios de la caja. Asegúrese que todos los artículos que figuran en la lista del paquete estén incluidos. Inspeccione el producto cuidadosamente para asegurarse que no se hayan producido roturas o daños durante el envío. No deseche el material de embalaje hasta que haya inspeccionado cuidadosamente y operado satisfactoriamente el producto. Si hay partes dañadas o faltantes, llame al 1-800-261-3981 para obtener ayuda.

### **⚠️ ADVERTENCIA:**

No utilice este producto si alguna pieza en la lista de empaque ya está ensamblada a su producto cuando lo desempaque. Las piezas de esta lista no están ensambladas al producto por parte del fabricante y requieren la instalación por parte del cliente. El uso de un producto que pueda haber sido ensamblado incorrectamente podría causar lesiones personales graves.

### PIEZAS INCLUIDAS

Cantidad	Ítem
1	Guía de inicio rápido
1	Manual del operador
1	Alimentador de cabezal (instalado)
1	Arnés
1	Cabezal de la línea fija
1	Línea negra de .130 pulg.
1	Protector del cabezal de corte y tornillo de montaje
1	Llave Torx
1	Llave de la bujía
1	Botella de aceite de 60 ml
1	Declaración de garantía
1	Carta de garantía de la EPA

### **⚠️ ADVERTENCIA:**

Para evitar un arranque accidental que podría causar lesiones personales graves, siempre desconecte el alambre de la bujía del motor de la bujía al ensamblar las piezas.

### **⚠️ ADVERTENCIA:**

Nunca instale, retire o ajuste ningún aditamento mientras el cabezal de energía esté funcionando. Si no detiene el motor, se pueden causar graves lesiones personales.

### INSTALACIÓN DEL PROTECTOR DEL CABEZAL DE CORTE

1. Retire el tornillo del protector del cabezal de corte.
2. Inserte la pestaña en la abrazadera de montaje en la ranura del protector del cabezal de corte. (Fig. 1).
3. Gire el protector del cabezal de corte hasta que el orificio de la abrazadera de montaje se alinee con el orificio del tornillo del protector del cabezal de corte.
4. Inserte el tornillo y ajuste hasta que el protector del cabezal de corte esté firme en su lugar.

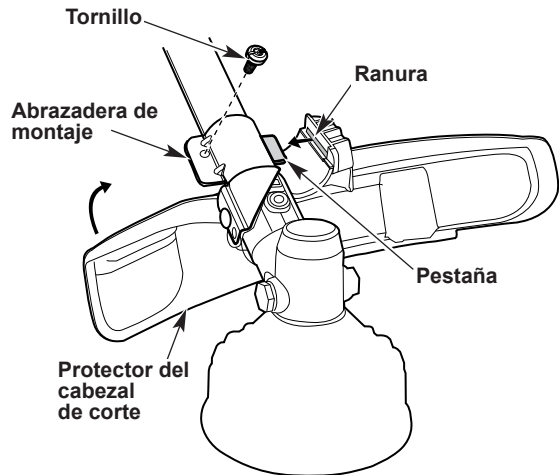


Fig. 1

### AJUSTE DEL ASA

El asa puede ajustarse para su ubicación en el eje y para el ángulo de agarre. Para ajustar el asa:

1. Voltee la palanca y gire la tuerca hacia la izquierda para aflojar el asa (Fig. 2).
2. Sujete la unidad en la posición de operación. Mueva el asa hacia arriba o abajo de la carcasa del eje hasta una posición cómoda. Asegúrese que el asa esté posicionada más allá de la etiqueta de seguridad.
3. Incline el asa al ángulo de agarre preferido.
4. Ajuste la perilla hacia la derecha y voltee la palanca hacia arriba para asegurar el asa.

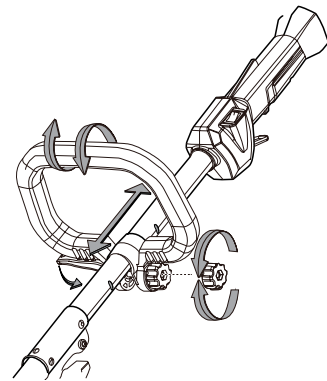


Fig. 2

### INSTALACIÓN Y REMOCIÓN DEL ADITAMENTO

Además del eje inferior del cortador de línea suministrado, el acoplamiento en el eje superior permite el uso de diversos aditamentos más del eje inferior, los que se venden por separado.

### **⚠️ ADVERTENCIA:**

Antes de usar cualquier aditamento, lea y comprenda el manual que venga incluido con el aditamento. Siga toda la información de seguridad allí contenida.



## **⚠️ ADVERTENCIA:**

Para evitar lesiones personales graves, así como daños a la unidad, apague la unidad antes de retirar o instalar un aditamento.

### **Instalación del accesorio**

1. Si se encuentra presente, retire el espaciador gris de la abertura del acoplamiento.
2. Coloque la unidad sobre una superficie plana y nivelada.
3. Gire la perilla hacia la izquierda para aflojar el acoplamiento (Fig. 3).
4. Alinee el botón de liberación con el rebajo de la guía (Fig. 4).
5. Presione el aditamento directo en el acoplamiento hasta que el botón de liberación se enganche firmemente en el orificio principal (Fig. 5).
6. Gire la perilla hacia la derecha para ajustar el acoplamiento.

## **⚠️ PRECAUCIÓN:**

Antes de operar la unidad, asegúrese que el botón de liberación esté completamente enganchado en el orificio principal y que la perilla esté bien ajustada.

## **⚠️ PRECAUCIÓN:**

A menos que se especifique lo contrario, el botón de liberación se debe encajar solamente en el orificio principal. Utilizar el orificio incorrecto podría provocar lesiones personales o daños a la unidad.

### **Retiro del aditamento**

1. Coloque la unidad sobre una superficie plana y nivelada.
2. Gire la perilla hacia la izquierda para aflojar el acoplamiento (Fig. 3).
3. Presione y mantenga presionado el botón de liberación (Fig. 4).
4. Tire de forma recta el aditamento del acoplamiento (Fig. 5).

### **INSTALACIÓN DEL ARNÉS**

El arnés con función de liberación rápida se puede enganchar detrás de la mano posterior si es necesario (Fig. 5a).

**NOTA:** El uso del arnés es opcional.

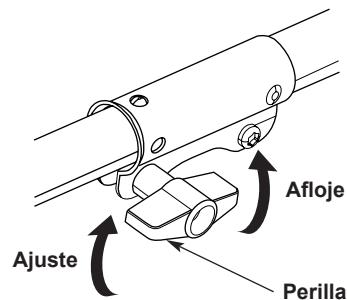


Fig. 3

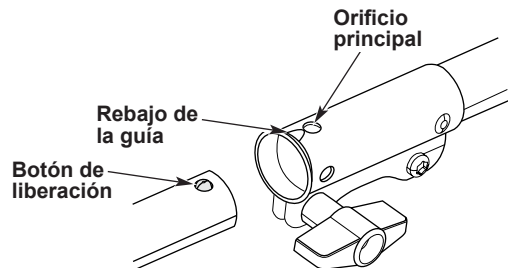


Fig. 4

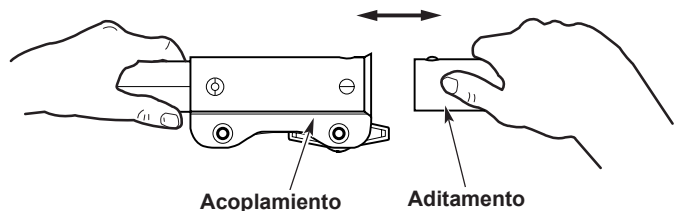


Fig. 5

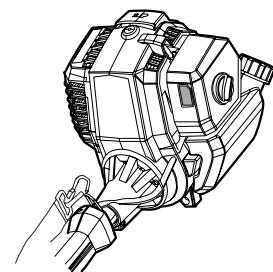


Fig. 5a

## UTILIZACIÓN DEL ACEITE APROPIADO

Utilice un aceite SAE 30 de alta calidad. NO utilice aceite sucio. Si no usa aceite limpio del tipo correcto, se puede producir la falla y desgaste prematuros del motor.

## ADICIÓN DEL ACEITE: USO INICIAL

### ⚠️ PRECAUCIÓN:

El intento de arrancar el motor antes que se haya llenado correctamente con el lubricante dará como resultado la falla de los equipos no cubiertos por la garantía.

### ⚠️ ADVERTENCIA:

LLENAR DEMASIADO EL CÁRTER PUEDE CAUSAR UNA LESIÓN PERSONAL GRAVE. Verifique el nivel de aceite antes de cada uso. Es muy importante mantener el nivel adecuado de aceite. Cambie el aceite conforme al Cronograma de mantenimiento.

### ⚠️ PRECAUCIÓN:

No lo llene demasiado. El llenado excesivo del cárter puede causar un exceso de humo, pérdida de aceite y daños en el motor.

**NOTA:** Esta unidad fue despachada sin aceite en el cárter. Se debe añadir el aceite antes de arrancar la unidad.

**NOTA:** Esta unidad viene con un un contenedor de aceite de 2.03 onzas líquidas (60 ml) de aceite.

1. Coloque la unidad sobre una superficie plana y nivelada.
2. Destornille el tapón de llenado del aceite (Fig. 6).
3. Vierta todo el contenedor de aceite en el orificio de llenado de aceite. NO lo llene demasiado. Consulte 'Verifique el nivel de aceite'.

**NOTA:** Nunca añada aceite al tanque de combustible. Esta unidad tiene un motor de 4 ciclos. NO mezcle aceite con gasolina.

4. Limpie cualquier aceite que se haya derramado.
5. Reinstale el tapón de llenado del aceite. Asegúrese que el anillo en O esté en su lugar en el tapón de llenado del aceite (Fig. 6).

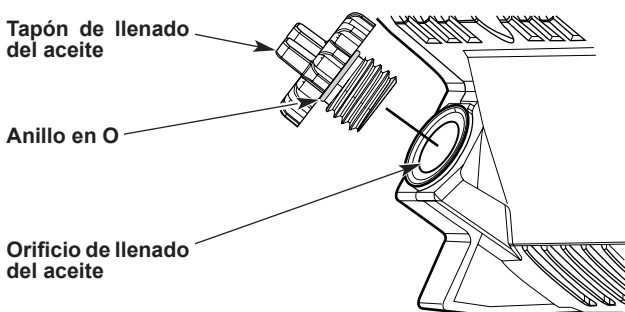


Fig. 6

## REABASTECIMIENTO DE LA UNIDAD

### ⚠️ ADVERTENCIA:

La gasolina es extremadamente inflamable. Los vapores encendidos pueden explotar. Siempre detenga el motor y déjelo enfriarse antes de llenar el tanque de combustible. No fume mientras llene el tanque. Mantenga las chispas y las llamas abiertas a cierta distancia del área.

### ⚠️ ADVERTENCIA:

Retire la tapa del combustible lentamente para evitar lesiones provocadas por el combustible rociado. Nunca opere la unidad sin la tapa de combustible asegurada en su lugar.

### ⚠️ ADVERTENCIA:

Añada el combustible en un área limpia y bien ventilada, en exteriores. Limpie cualquier derrame de combustible inmediatamente. Evite crear una fuente de ignición con derrames de combustible. No arranque el motor hasta que los vapores del combustible se hayan disipado.

### ⚠️ ADVERTENCIA:

La gasolina y sus vapores son altamente inflamables y explosivos. Para evitar lesiones graves y daños a la propiedad personal, manipúlela con cuidado. Manténgala alejada de fuentes de ignición y llamas abiertas, manipule solamente en exteriores. Vierta el combustible al aire libre, donde no haya chispas ni llamas. Retire lentamente el tapón de combustible después de detener el motor. No fume mientras abastezca de combustible. Limpie el combustible que se haya derramado de la unidad. Aléjese al menos 3 m (10 pies) de la fuente de carga de combustible antes de arrancar el motor.

### ⚠️ ADVERTENCIA:

Siempre use pantalones pesados y largos, botas, guantes y una camisa de manga larga. No use ropa suelta, joyas, pantalones cortos, sandalias ni esté descalzo. Átese el cabello para que esté por encima del nivel del hombro.

1. Coloque la unidad con la tapa del combustible mirando hacia arriba.
2. Retire lentamente la tapa del combustible.
3. Coloque el pico del contenedor de combustible en el orificio de llenado del tanque de combustible y llene el tanque. Deje de añadir gasolina cuando observe que el nivel alcanza la base del pico del tanque (Fig. 6a).

**NOTA:** No llene demasiado el tanque.

4. Limpie cualquier combustible que se haya derramado.
5. Reinstale la tapa del combustible.
6. Mueva la unidad al menos 30 pies (9.1 m) desde

el contenedor de combustible y el lugar de abastecimiento antes de arrancar el motor.

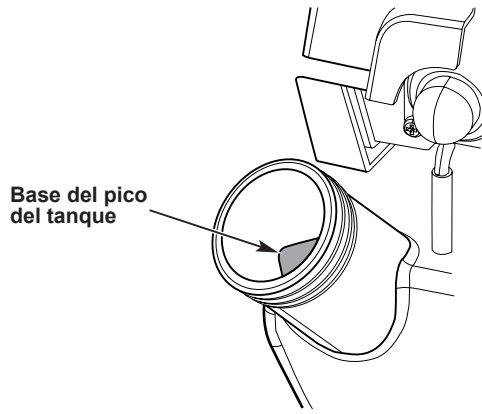


Fig. 6a

### **ADVERTENCIA:**

No permita que su familiarización con este producto lo vuelva descuidado. Recuerde que una fracción de segundo descuidada es suficiente para causar una lesión grave.

### **ADVERTENCIA:**

Siempre use protección para la vista con protectores laterales marcados para cumplir con la norma ANSI Z87.1, junto con protección auditiva. No hacerlo podría resultar en objetos proyectados hacia sus ojos y otras posibles lesiones graves.

### **ADVERTENCIA:**

No utilice ningún aditamento no recomendado por el fabricante de este producto. El uso de aditamentos o accesorios no recomendados puede resultar en lesiones personales graves.

### **ADVERTENCIA:**

El funcionamiento de estos equipos podría producir chispas que pueden iniciar incendios alrededor de la vegetación seca. Podría ser necesario usar un supresor de chispa. El operador debe ponerse en contacto con las estaciones de bomberos locales para revisar las leyes o reglamentos relativos a los requerimientos para la prevención de incendios.

### **UTILIZACIÓN DEL COMBUSTIBLE APROPIADO**

El uso de combustible antiguo es la causa más común de los problemas de rendimiento. Use sólo gasolina fresca, limpia y sin plomo.

**NOTA:** Esta unidad tiene un motor de 4 ciclos. NO mezcle aceite con gasolina.

### **Definición de combustibles mezclados**

Los combustibles actuales con frecuencia son una mezcla de gasolina y oxigenados, como etanol, metanol o MTBE (éter). El combustible mezclado con alcohol absorbe el agua. Tan sólo un 1% de agua en el combustible puede hacer que el combustible y el aceite de separen, formando ácidos cuando se almacene. SIEMPRE use combustible fresco (con menos de 30 días de antigüedad) con menos del 10% de etanol.

**NOTA:** Deseche el combustible antiguo conforme a las regulaciones federales, estatales y locales.

### **Utilización de combustibles mezclados**

Si utiliza un combustible mezclado

- Siempre use gasolina fresca sin plomo
- Use el aditivo de combustible STA-BIL® o un equivalente

### **ADVERTENCIA:**

**NO UTILICE COMBUSTIBLE E85 EN ESTA UNIDAD.**

Se ha comprobado que hay probabilidades de que el combustible que contiene más de 10% de etanol dañe este motor e invalide la garantía.

### **Uso de aditivos de combustible**

Use un aditivo de combustible, como el estabilizador de combustible STA-BIL o un equivalente para inhibir la corrosión y minimizar los depósitos de resina. Añada 0.8 oz. (23 ml) de aditivo de combustible por galón, conforme a las instrucciones del contenedor. NUNCA añada los aditivos de combustible directamente al tanque de combustible de la unidad.

### **ADVERTENCIA:**

Opere esta unidad sólo en un área bien ventilada en exteriores. Los humos de escape de monóxido de carbono pueden ser letales en un área confinada.

### **ADVERTENCIA:**

Evite arrancar accidentalmente la unidad. Para evitar lesiones graves, el operador y la unidad deben estar en una posición estable cuando tire de la cuerda del arrancador (Fig. 10).

### **ADVERTENCIA:**

No opere la unidad dentro de un entorno cerrado, como una habitación o edificio; respirar el monóxido de carbono de los gases de escape puede matarlo.

### **PRECAUCIÓN:**

Inspeccione la unidad antes de cada uso.

Reemplace las piezas dañadas. Verifique para ver si hay fugas de combustible. Asegúrese que todos los sujetadores estén en su lugar y asegurados. Reemplazar las piezas de aditamentos de corte que estén fisuradas, rotas o dañadas de alguna manera. Asegúrese que el aditamento de corte esté correctamente instalado y bien asegurado. Asegúrese que el protector del aditamento de corte esté correctamente fijado y en la posición recomendada por el fabricante. Utilice solo una línea flexible y no metálica recomendada por el fabricante. Nunca utilice, por ejemplo, alambre o cable metálico, los cuales pueden romperse y convertirse en un proyectil peligroso.

### **PRECAUCIÓN:**

Despeje el área a cortar antes de cada uso. Retire todos los objetos, como rocas, vidrio roto, clavos, alambres o cuerdas que podrían estar presentes o atascarse en el aditamento de corte. Despeje el área de los niños, transeúntes y mascotas fuera de un radio de 50 pies (15 m): todavía hay un riesgo de lesión por objetos proyectados fuera de la zona de los 50 pies (15 m). Se debe animar a los transeúntes a usar protección para la vista.

Si alguien se le acerca, detenga el motor y el aditamento de corte. En el caso de unidades con cuchilla, existe el riesgo adicional de lesión a los transeúntes por ser golpeados por la cuchilla en movimiento en caso de un impulso de la cuchilla u otra reacción inesperada de la sierra.

## INSTRUCCIONES DE ARRANQUE

1. Verifique el nivel de aceite. Consulte 'Verifique el nivel de aceite'.
2. Llene el tanque de combustible. Consulte 'Reabastecimiento de la unidad'.

**NOTA:** No hay necesidad de encender la unidad. El interruptor de On/Off está en la posición de On o encendido (I) en todo momento (Fig. 7).

3. Presione lentamente y libere la pera 10 veces (Fig. 8).
4. Presione el botón del estrangulador hasta que suene un clic (Fig. 9).
5. Agáchese a la posición de arranque (Fig. 10).

**NOTA:** El estrangulador automáticamente se desengancha cuando el bloqueo del acelerador y el acelerador se presionan.

6. Tire de la cuerda del arrancador con un movimiento consistente y controlado 5 veces para arrancar el motor (Fig. 10). Deje que el motor se caliente por unos 30 a 60 segundos a velocidad de marcha lenta antes de aumentar a la velocidad de corte.
7. Para aumentar la velocidad de corte del cortador, presione y sostenga el bloqueo del acelerador con una mano y luego apriete el control de la aceleración con la otra. Mientras más aprieta el control de la aceleración, más aumentará la velocidad de corte (Fig. 7).

**NOTA:** El bloqueo permanecerá enganchado todo el tiempo que se apriete el control de la aceleración.

**NOTA:** Para evitar que el control de la aceleración se apriete accidentalmente, esta unidad viene equipada con un bloqueo del acelerador. El control de la aceleración no puede apretarse hasta que el bloqueo del acelerador también se enganche.

**SI...** el motor no arranca, comience el procedimiento de arranque desde el paso 3. **SI...** el motor fracasa en arrancar luego de 4 intentos: Presione y mantenga presionado el bloqueo del acelerador. Aprieta y sostenga el control de la aceleración. Tire de la cuerda del arrancador con un movimiento consistente y controlado hasta que el motor arranque (Fig. 10).

**SI...** el motor se detiene mientras el control de la aceleración está apretado, comience el procedimiento de arranque desde el paso 3.

**SI EL MOTOR ESTÁ CALIENTE...** comience el procedimiento de arranque desde el paso 4.

## INSTRUCCIONES DE DETENCIÓN

1. Libere el control de aceleración y permita que el motor funcione en marcha lenta.
2. Presione y sostenga el interruptor On/Off en la posición de Off o apagado (O) hasta que el motor llegue hasta una detención total (Fig. 7). Asegúrese que el aditamento de corte se haya detenido antes de poner a descansar la unidad.

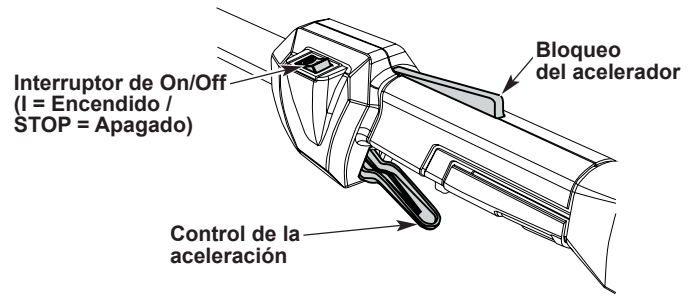


Fig. 7

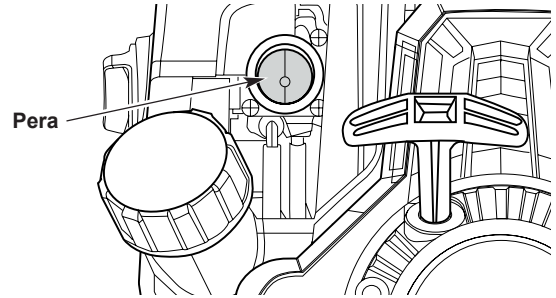


Fig. 8

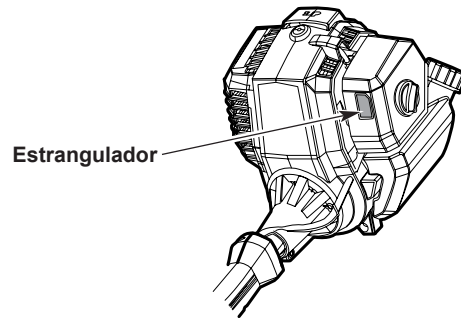


Fig. 9



Fig. 10



## CÓMO SUJETAR LA UNIDAD

### ⚠️ ADVERTENCIA:

Siempre use protección para los ojos, oídos, manos, pies y cuerpo para reducir el riesgo de lesión al operar esta unidad. Mantenga todas las partes de su cuerpo lejos del aditamento de corte giratorio y las superficies calientes.

### ⚠️ ADVERTENCIA:

Para evitar lesiones personales graves, evite el contacto del brazo con el motor al operar la unidad. El motor puede estar extremadamente caliente.

- Párese en la posición de operación (Fig. 11). Párese derecho. No se doble.
- Mantenga los pies aparte y firmemente apoyados.
- Sostenga el agarre del eje con la mano derecha. Mantenga el brazo derecho ligeramente flexionado.
- Sostenga el asa con la mano izquierda. Mantenga el brazo izquierdo recto.
- Sostenga la unidad a nivel de la cintura.
- Coloque el cabezal de corte a unas cuantas pulgadas por encima del suelo.
- No se estire demasiado; mantenga todas las partes de su cuerpo lejos del aditamento de corte giratorio y las superficies calientes.
- Para dirigir los cortes lejos de usted, siempre que pueda, oscile el cortador con un movimiento de corte de izquierda a derecha. Hay una flecha grabada en la parte superior de la protección de seguridad que indica la dirección de operación preferida de izquierda a derecha.

## CORTE DECORATIVO

Al cortar alrededor de árboles, postes, cercas, etc., gire toda la unidad para que el cabezal de corte esté en un ángulo de 30° con relación al suelo (Fig. 12).

## Mantenimiento de la línea de corte

Las superficies duras, como las aceras, pueden hacer que la línea de corte se desgaste rápidamente o se rompa.

- Compruebe con frecuencia la longitud de la línea de corte. Reemplace la línea de corte según sea necesario. Consulte el Reemplazo de la línea de corte.
- NO fuerce la unidad. Haga cortes poco profundos en los pases que sean necesarios para lograr la profundidad deseada. Corte a un ritmo lento y uniforme.

## CONSEJOS DE CORTE

- Evite las superficies calientes manteniendo siempre la herramienta alejada de su cuerpo.
- Corte todo el césped de arriba a abajo. Esto evitará que el césped se envuelva alrededor de la carcasa del eje y del cabezal de la cuerda, lo que podría provocar daños por sobrecalentamiento.
- Si el césped llega a envolverse alrededor del cabezal de la cuerda, DETENGA EL MOTOR, desconecte el

alambre de la bujía y retire el césped.

- Utilice la punta de línea para recortar el césped; no fuerce el cabezal de la cuerda en el césped sin cortar.
- Evite los árboles, flores, piedras, paredes y otros objetos que puedan causar que la línea se rompa.
- Compruebe y alimente la línea con regularidad para mantener la anchura de corte completa, así como el rendimiento.



Fig. 11

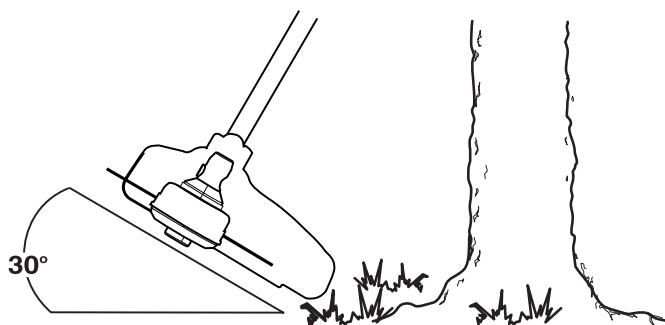


Fig. 12

## AJUSTE DE LA LÍNEA DE CORTE

Esta unidad viene equipada con un alimentador de cabezal. La línea de corte puede ser liberada del cabezal de corte sin detener el motor. Para liberar más línea, golpee suavemente la perilla del alimentador sobre el suelo (Fig. 13) mientras opera la unidad a alta velocidad. Para lograr mejores resultados, golpee la perilla del alimentador sobre suelo despejado o suelo duro. Intentar liberar línea cuando hay césped de gran largo puede detener el motor.

**NOTA:** No apoye el cabezal de corte en el suelo mientras la unidad esté funcionando.

Cada vez que la perilla del alimentador se toca, se libera aproximadamente 1 pulgada (25.4 mm) de línea de corte.

**NOTA:** Siempre mantenga la línea de corte completamente extendida. La liberación de la línea se vuelve más difícil cuando la línea de corte se hace más corta.



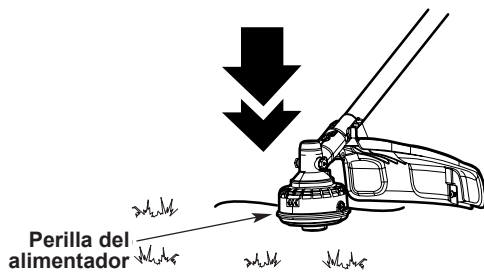


Fig. 13

## **⚠ PRECAUCIÓN:**

No retire o modifique ensamblaje de la cuchilla de corte de la línea. Una longitud de línea excesiva hará que la unidad se sobrecaliente. Esto puede provocar graves lesiones personales o daños a la unidad.

### **CONSEJOS PARA OBTENER LOS MEJORES RESULTADOS**

- Para dirigir los cortes lejos del operador, incline el cabezal de corte ligeramente hacia abajo a la derecha; siempre que sea posible, oscile el cortador en un movimiento de corte de izquierda a derecha. Hay una flecha grabada en la parte superior de la protección de seguridad que indica la dirección de operación preferida de izquierda a derecha.
- No corte el césped o la mala hierba cuando estén mojados.

**NOTA:** Puede ocurrir la ruptura de la línea si:

- Se enreda con materia extraña
- Hay un desgaste normal de la línea
- Se intenta cortar vegetación gruesa
- Se fuerza la línea contra objetos como paredes o postes de cercas

## ⚠️ ADVERTENCIA:

Para evitar lesiones personales graves, siempre apague el motor y deje que se enfríe antes de limpiar o mantener la unidad. Nunca lleve a cabo la limpieza o mantenimiento mientras la unidad esté en funcionamiento. Desconecte el alambre de la bujía para evitar que la unidad arranque accidentalmente.

## ⚠️ ADVERTENCIA:

Use ropa protectora y observe todas las instrucciones de seguridad para evitar lesiones personales graves.

## ⚠️ ADVERTENCIA:

Nunca use una línea, alambre, cadena o cuerda reforzada con metal. Estos pueden desprenderse y convertirse en proyectiles peligrosos.

Use solamente la línea de corte descrita en la sección Especificaciones. Otros tipos de línea de corte pueden hacer que la unidad se sobrecaliente o malogre.

### REEMPLACE LA BOBINA

1. Presione las lengüetas hacia adentro en la parte lateral del retenedor de la bobina y tire para retirar (Fig. 14).
2. Instale el resorte, la arandela y la bobina rebobinada, asegurándose de que las líneas queden capturadas en las ranuras de sujeción de la nueva bobina.

**NOTA:** Asegúrese que los extremos de las líneas se extiendan aproximadamente 6 pulg. (152 mm).

3. Instale la nueva bobina para que los extremos de la línea se alineen con los ojales del cabezal de corte, y pase los extremos de la línea a través de los ojales.
4. Tire de las líneas que se extienden desde el cabezal de corte para que las cuerdas se liberen de las ranuras de la bobina.
5. Instales el retenedor de la bobina presionando las lengüetas dentro de las ranuras y empujando hacia abajo en la bobina hasta que el retenedor de la bobina encaje con un clic en su lugar. (Fig. 14).

### REEMPLAZO DE LA LÍNEA A CORTE (CABEZAL DEL ALIMENTADOR)

1. Retire la bobina del cabezal de corte.
2. Retire cualquier línea antigua de la bobina. Use un paño húmedo para limpiar la superficie del cabezal de corte.
3. Corte una longitud de 15 pies (4.5 m) de línea de corte con diámetro de 0.095 pulg. (2.4 mm).
4. Doble la línea a la mitad e inserte el doblé en la ranura de sujeción en la bobina (Fig. 15).
5. Envuelva la línea uniforme y firmemente alrededor de la bobina (Fig. 16).
6. Coloque las líneas en las ranuras de sujeción de la bobina (Fig. 14).
7. Instale la bobina en el cabezal de corte. Consulte Reemplazo de la bobina.

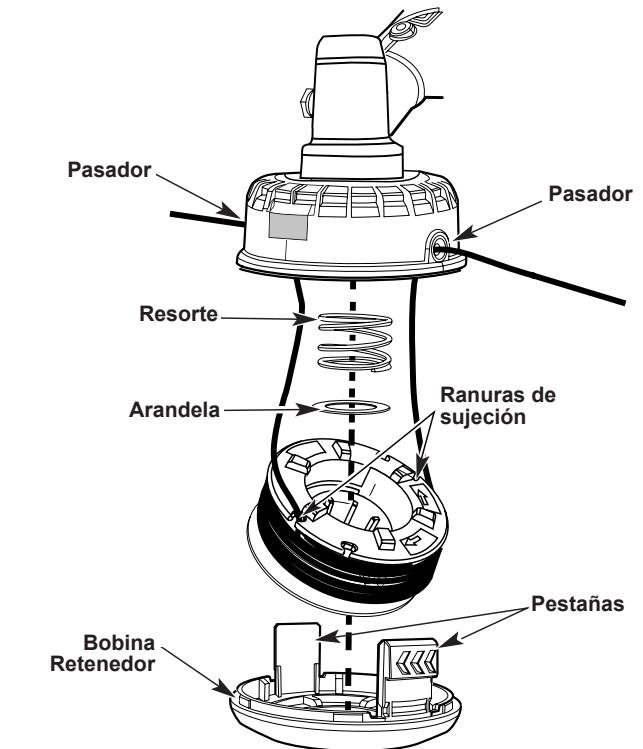


Fig. 14

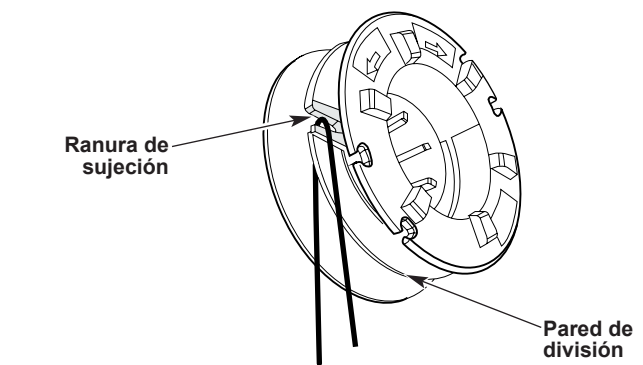


Fig. 15

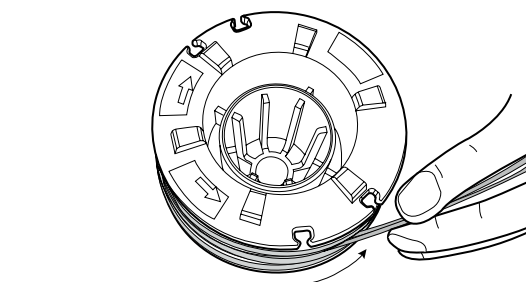


Fig. 16

## REEMPLAZO DE LA LÍNEA A CORTE (LÍNEA FIJA)

Corte una longitud de 16.25 pulg. de línea con diámetro de 0.095 pulg. (2.4 mm) y enrósquela por el cabezal del cortador (Fig. 17).

**NOTA:** Para evitar vibraciones, asegúrese que iguales longitudes de línea sobresalgan de cada lado del cabezal del cortador.

**NOTA:** Muchas longitudes de 16.25 pulg. de línea negra en espiral de 0.130 pulg. (3.3 mm) vienen suministradas con este cortador. Esta línea ha sido diseñada para cortar mala hierba más larga y maleza delgada.

## CAMBIO DEL CABEZAL DE CORTE DE ALIMENTADOR A FIJO

1. Inserte la llave Torx en el orificio de bloqueo en la parte superior de la caja de engranajes (Fig. 18).
2. Aplique poca presión a la llave mientras va girando el cabezal del alimentador hacia la derecha. En cierto punto, sentirá el pestillo del cabezal en la llave cuando punta de la llave se deslice a la ranura en la anilla del cabezal.
3. Siga girando el cabezal hacia la derecha para destornillarlo y retire el cabezal del husillo.
4. Atornille el cabezal fijo hacia la izquierda en el husillo hasta que esté bien ajustado (Fig. 18a). Retire la llave Torx del orificio de bloqueo.
5. Para reinstalar el cabezal del alimentador, realice las instrucciones anteriores en el orden y de la forma inversos.

## CRONOGRAMA DE MANTENIMIENTO

Realice estos procedimientos de mantenimiento requeridos según la frecuencia establecida en la tabla. Estos procedimientos también deben ser parte de cualquier ajuste estacional.

**NOTA:** Algunos procedimientos de mantenimiento pueden requerir herramientas o habilidades especiales. Si no está seguro acerca de estos procedimientos, lleve la unidad donde un distribuidor de servicio calificado.

**NOTA:** El mantenimiento, reemplazo o la reparación de los dispositivos y sistema de control de emisiones puede efectuarse mediante un distribuidor de servicio calificado.

**NOTA:** Lea la declaración de California/EPA que ha venido incluida con la unidad para ver una lista completa de términos y cobertura para los dispositivos de control de emisiones, como el supresor de chispas, amortiguador, carburador, etc.

FRECUENCIA	MANTENIMIENTO REQUERIDO
Cada 10 horas	• Limpie y vuelva a aceitar el filtro de aire. Consulte el Mantenimiento del filtro de aire.
Cada 20 horas	• Cambie el aceite. Consulte Cambio del aceite.
Luego de las primeras 10 horas y a las 38 horas	• Que un distribuidor de servicio calificado revise el despeje del brazo oscilante. • Verifique la condición y brecha de la bujía. Consulte el Mantenimiento de la bujía.

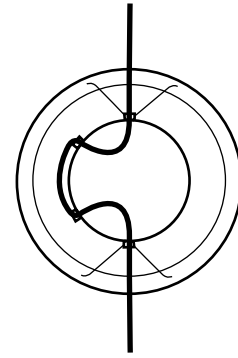


Fig. 17

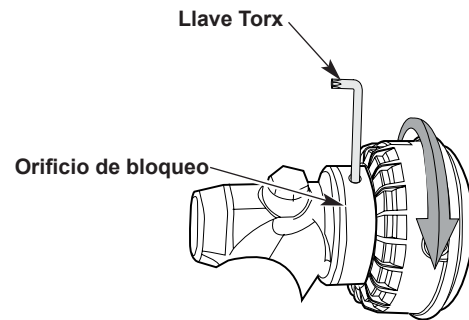


Fig. 18

## VERIFICACIÓN DEL NIVEL DE ACEITE

### ⚠ ADVERTENCIA:

Verifique el nivel de lubricante antes de cada uso. Es muy importante mantener el nivel adecuado de aceite.

### Inspección del nivel de aceite

1. Detenga el motor y deje que se enfríe.
2. Coloque la unidad sobre una superficie plana y nivelada, como una estación o mesa de trabajo. El protector del cabezal de corte debe colgar del borde para que el motor esté nivelado (Fig. 19).

**NOTA:** Si no se mantiene el nivel del motor, puede producirse una lectura errónea del nivel de aceite.

3. Destornille el tapón de llenado del aceite. El nivel de aceite debe ser visible en la primera rosca del reservorio de aceite (Fig. 20). Si el nivel de aceite está demasiado bajo, añada aceite. Consulte Adición del aceite.

### Adición del aceite

1. Limpie el área alrededor del tapón de llenado de aceite (Fig. 20) para evitar que los desechos ingresen al orificio de llenado del aceite.
2. Destornille el tapón de llenado del aceite.
3. Añada aceite al orificio de llenado del aceite hasta que el nivel de aceite sea visible en la primera rosca del reservorio (Fig. 20).

### ⚠ ADVERTENCIA:

NO llene demasiado el nivel de aceite.

Llenar demasiado dará como resultado demasiado aceite en el cárter del motor, y esto puede causar humo o vapores que pueden lesionar al usuario.

- Si el nivel de aceite es demasiado alto, incline la unidad y drene el exceso de aceite en un recipiente

adecuado.

4. Limpie cualquier aceite que se haya derramado.
5. Asegúrese que el anillo en O esté en su lugar en el tapón de llenado del aceite (Fig. 21).
6. Reinstale el tapón de llenado del aceite.

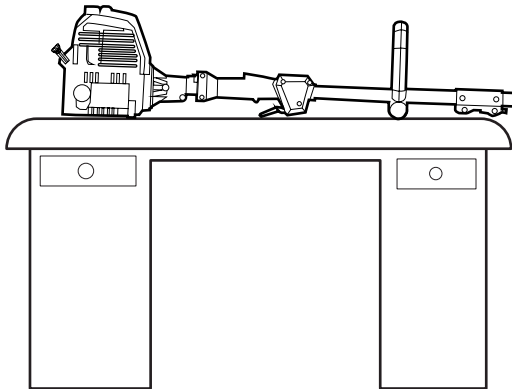


Fig. 19

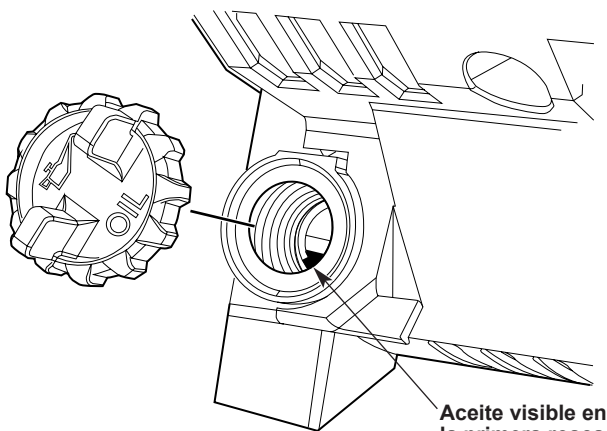


Fig. 20

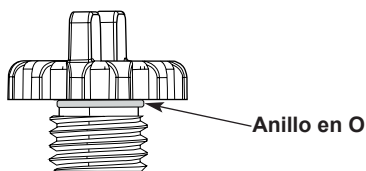


Fig. 21

## CAMBIO DE ACEITE

### **⚠️ ADVERTENCIA:**

El aceite de motor antiguo se considera como residuo especial y tiene que ser eliminado de acuerdo a su regulación de protección medioambiental local. No vierta el aceite en un cubo de basura, alcantarilla, suelo, etc.

Cambie el aceite mientras el motor esté aún tibio. El aceite fluirá libremente y se llevará consigo más impurezas.

1. Limpie el área alrededor del tapón de llenado de aceite (Fig. 20) para evitar que los desechos ingresen al orificio de llenado del aceite.
2. Destornille el tapón de llenado del aceite.
3. Inclíne la unidad verticalmente para verter el aceite fuera del orificio de llenado del aceite en un recipiente (Fig. 22). Deje tiempo suficiente para el drenaje completo.

**NOTA:** Deseche el aceite antiguo conforme a las regulaciones federales, estatales y locales.

4. Limpie cualquier aceite que se haya derramado.
5. Vierta 2.03 onzas líquidas (60 ml) de aceite SAE 30 en el orificio de llenado del aceite.

### **⚠️ ADVERTENCIA:**

NO llene demasiado el nivel de aceite. Llenar demasiado dará como resultado demasiado aceite en el cárter del motor, y esto puede causar humo o vapores que pueden lesionar al usuario.

6. Limpie cualquier aceite que se haya derramado.
7. Asegúrese que el anillo en O esté en su lugar en el tapón de llenado del aceite (Fig. 21).
8. Reinstale el tapón de llenado del aceite.

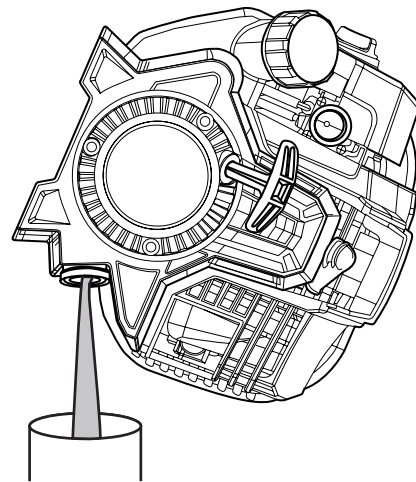


Fig. 22

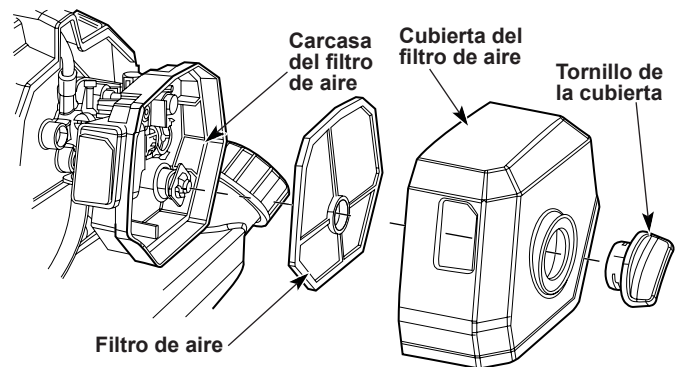


Fig. 23

## MANTENIMIENTO DEL FILTRO DE AIRE

La falta de mantenimiento del filtro de aire puede resultar en un funcionamiento inadecuado o puede causar daños permanentes en el motor. Los daños en el motor debido a un mantenimiento inadecuado del filtro de aire inadecuada no están cubiertos por la garantía del producto.

### **Limpieza del filtro de aire**

1. Destornille completamente el tornillo de la cubierta. Retire la cubierta del filtro de la carcasa del filtro de aire (Fig. 23).
2. Retire el filtro de aire de la carcasa del filtro de aire.
3. Lave el filtro de aire en agua con detergente.

Enjuague bien el filtro de aire y déjelo secar.

4. Vuelva a instalar el filtro de aire en la carcasa del filtro de aire (Fig. 23).

**NOTA:** Operar la unidad sin el filtro de aire y sin la cubierta del filtro de aire INVALIDARÁ la garantía.

5. Inserte la lengüeta de la cubierta del filtro de aire en la carcasa del filtro de aire. Presione la cubierta del filtro de aire de vuelta en la carcasa del filtro de aire. Inserte el tornillo de la cubierta en la cubierta del filtro de aire. Ajuste el tornillo de la cubierta para asegurar la cubierta del filtro de aire (Fig. 23).

**NOTA:** No ajuste demasiado ya que esto puede raspar el tornillo.

## AJUSTE DE LA VELOCIDAD EN MARCHA LENTA

### ⚠️ ADVERTENCIA:

El cabezal de corte se moverá al ajustar la velocidad de marcha lenta. Use ropa protectora y mantenga a todos los transeúntes, niños y mascotas al menos a 50 pies de distancia. Realice ajustes con la unidad apoyada por la mano para que el cabezal de corte no haga contacto con el suelo o ningún otro objeto.

Mantenga todas las partes de su cuerpo lejos del cabezal de corte y del amortiguador. El no seguir estas instrucciones podría producir lesiones personales graves.

Si el motor no anda correctamente en marcha lenta:

1. Arranque el motor. Consulte Puesta en marcha y detención.
2. Libere el control de aceleración y permita que el motor funcione en marcha lenta.
- Si el motor se detiene, aumente la velocidad de marcha lenta. Use un pequeño destornillador Phillips para girar el tornillo de marcha lenta hacia la derecha, 1/8 de vuelta a la vez, hasta que el motor pase suavemente a marcha lenta (Fig. 24).
- Si el cabezal de corte gira cuando el motor funciona en marcha lenta, reduzca la velocidad en marcha lenta. Gire el tornillo a la velocidad de marcha lenta hacia la izquierda, 1/8 de vuelta a la vez, hasta que el cabezal de corte deje de moverse (Fig. 24).

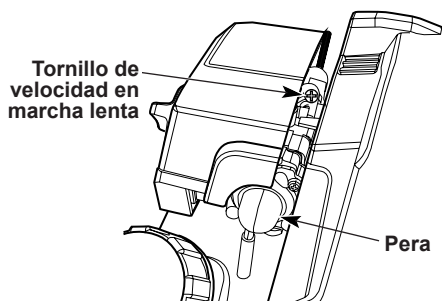


Fig. 24

### ⚠️ ADVERTENCIA:

El aditamento de corte nunca debe girar en marcha lenta. Gire el tornillo en velocidad de marcha lenta hacia la izquierda para reducir las revoluciones por minuto de la marcha lenta y así detener el aditamento de corte, o sino contacte al servicio de atención al cliente para que realice un ajuste y suspenda el uso hasta que se haga la reparación. Podría producirse lesiones personales graves como resultado del aditamento de corte girando en marcha lenta.

## MANTENIMIENTO DE LA BUJÍA

1. Detenga el motor y deje que se enfríe. Tome la cubierta de la bujía firmemente y tire de la bujía.
2. Limpie alrededor de la bujía. Retire la bujía del cabezal del cilindro con una toma de 5/8 de pulgada, girando hacia la izquierda.

**NOTA:** Una llave de bujía de 5/8 de pulgada se suministra con este cortador.

### ⚠️ PRECAUCIÓN:

No retire la bujía cuando el motor esté caliente.

### ⚠️ PRECAUCIÓN:

No realice un chorro de arena, raspe o limpie los electrodos de la bujía. La arenilla en el motor podría dañar el cilindro.

3. Inspeccione la bujía. Si la bujía está fisurada, contaminada o sucia, cámbiela por una pieza de repuesto #AM5RC o una bujía equivalente.
4. Utilice un calibre de espesor para ajustar la brecha de aire a 0.6 mm - 0.8 mm (0.025 pulg. - 0.31 pulg.) (Fig. 25).
5. Instale la bujía en el cabezal del cilindro. Ajuste la bujía con una toma de 5/8 de pulgada, girándola hacia la derecha hasta que quede firme.

**NOTA:** Si se utiliza una llave de torque, ajuste el torque a 18 Nm (159 lb. pulg.). No ajuste demasiado.

6. Vuelva a fijar la cubierta de la bujía.

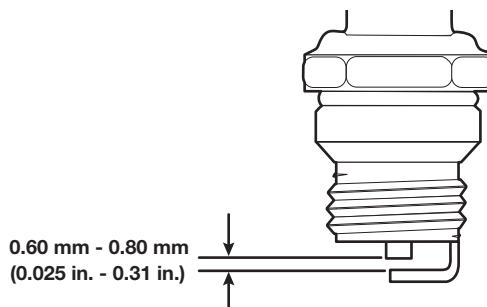


Fig. 25



## LIMPIEZA

### **ADVERTENCIA:**

Para evitar lesiones personales graves, siempre apague el motor y deje que se enfríe antes de limpiar o mantener la unidad.

Use un cepillo suave para limpiar la parte externa de la unidad. No use detergentes fuertes. Los limpiadores domésticos que contienen aceites aromáticos tales como el pino y limón, los y disolventes tales como el kerosene, pueden dañar el plástico. Seque toda humedad con un paño suave.

## ALMACENAMIENTO

- Nunca almacene una unidad con combustible donde los vapores puedan alcanzar una llama abierta o chispa.
- Deje que el motor se enfríe antes de guardarla.
- Guarde bajo seguro la unidad para evitar el uso no autorizado o daños.
- Guarde la unidad en un área seca y bien ventilada.
- Guarde la unidad lejos del alcance de los niños.

### **Almacenamiento por corto tiempo (1-2 semanas)**

Guarde la unidad en posición horizontal. Si no es posible, guarde la unidad en posición vertical con el motor en la parte superior.

### **Almacenamiento por largo tiempo**

1. Retire el tapón de combustible, incline la unidad y drene el combustible en un recipiente aprobado. Reinstale la tapa del combustible.
2. Arranque el motor y déjelo funcionar hasta que se pare. Esto asegura que todo el combustible haya sido drenado del carburador.
3. Deje que el motor se enfríe. Retire la bujía y coloque 5 gotas de cualquier aceite de motor de alta calidad en el cilindro. Tire de la cuerda de arranque lentamente para distribuir el aceite. Vuelva a instalar la bujía.
4. Limpie a fondo la unidad e inspecciónela para ver que no haya piezas sueltas o dañadas. Repare o reemplace las partes dañadas y ajuste los tornillos, tuercas o pernos sueltos.
5. Guarde la unidad en posición horizontal. Si el almacenamiento horizontal no es posible, almacene la unidad en posición vertical con el motor en la parte superior.

### **Preparación de la unidad para su uso luego de un almacenamiento por largo tiempo**

1. Retire la bujía. Incline la unidad y drene todo el aceite del cilindro en un recipiente aprobado. Vuelva a instalar la bujía.
2. Cambie el aceite. Consulte Cambio del aceite.

**NOTA:** No utilice combustible que ha sido almacenado por más de 30 días. Deseche el combustible y el aceite antiguos conforme a las regulaciones federales, estatales y locales.

## TRANSPORTE

Transporte la unidad en posición horizontal. Si no es posible, transporte la unidad verticalmente con el motor en la parte superior. Asegure el eje del cortador para evitar daños durante el transporte.



## DETECCIÓN Y SOLUCIÓN DE PROBLEMAS

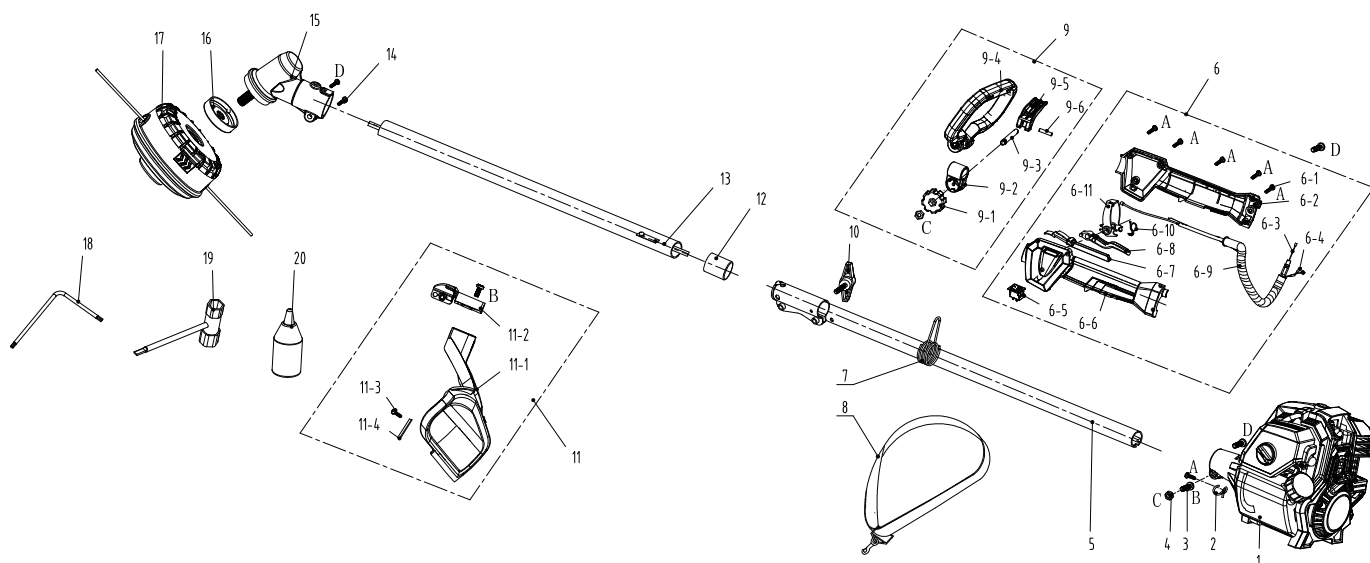
### PROBLEMA

### SOLUCIÓN

PROBLEMA	SOLUCIÓN
<b>EL MOTOR NO ARRANCA</b>	
El tanque de agua está vacío	Llene el tanque de combustible con combustible fresco
La pera no se presionó lo suficiente	Presione la pera 10 veces
El combustible es antiguo (tiene más de 30 días)	Drene el tanque de combustible y agregue combustible fresco
La bujía está dañada	Reemplace la bujía
<b>EL MOTOR NO FUNCIONA EN MARCHA LENTA</b>	
El filtro de aire está sucio	Limpie o reemplace el filtro de aire
El combustible es antiguo (tiene más de 30 días)	Drene el tanque de combustible y agregue combustible fresco
<b>EL MOTOR NO ACELERA</b>	
El combustible es antiguo (tiene más de 30 días)	Drene el tanque de combustible y agregue combustible fresco
El cabezal de corte está atascado con césped	Detenga el motor y limpie el cabezal de corte
El filtro de aire está sucio	Limpie o reemplace el filtro de aire
<b>AL MOTOR LE FALTA POTENCIA O SE PARA</b>	
El combustible es antiguo (tiene más de 30 días)	Drene el tanque de combustible y agregue combustible fresco
El filtro de aire está sucio	Limpie o reemplace el filtro de aire
La bujía está dañada	Reemplace la bujía

Si necesita más asistencia, lleve la unidad donde un distribuidor de servicio calificado.

# PARTES



No.	N.º de parte	Descripción	Cant.
1	103001000297	Cabezal del motor	1
2	201999001337	Círculo fijo del tubo	1
3	207310100743	Tornillo	1
4	207320100013	Tuerca hexagonal	2
5	199999001314	-	1
6	199004000604	Ensamblaje del asa	1
6-1	207310100263	Tornillo	6
6-2	202024002102	Mango de mano	1
6-3	199081000107	Ensamblaje del cable	1
6-4	199999001152	Alambre de detención	1
6-5	207180200023	Interruptor	1
6-6	202024002101	Mango de mano	1
6-7	202042000207	Palanca de accionamiento	1
6-8	202004000897	Arrancador	1
6-9	303000003	Cubierta de alambre	1
6-10	207019900345	Resorte de retorno	1
6-11	202999001491	Círculo de control	1
7	201024000009	Anillo del arnés	1
8	208008000051	Arnés	1
9	199004000605	Ensamblaje del asa	1
9-1	202028000109	Perilla	1

No.	N.º de parte	Descripción	Cant.
9-2	202999001665	Asiento del asa delantera	1
9-3	201026000343	Eje	1
9-4	202024002114	Mango de mano	1
9-5	202004000898	Arrancador	1
9-6	207199900105	Pin de soporte central	1
10	202028000102	Perilla	1
11	199048000132	Ensamblaje de la pantalla de protección	1
11-1	202012000417	Protector	1
11-2	201057000219	Abrazadera	1
11-3	207310101121	Tornillo	1
11-4	201045000165	Cuchilla	1
12	202023000077	Tapón	1
13	199999001284	Ensamblaje de la tubería recta delantera	1
14	207310100738	Tornillo	1
15	199999001283	Ensamblaje de la caja de engranajes	1
16	201999001339	Bandeja fija	1
17	199023000066	Ensamblaje del cabezal de césped	1
18	208008000040	Llave	1
19	207179900014	Arrancador	1
20	202999001673	Tazón de aceite	1

Para pedir repuestos, envíe un correo electrónico a: [parts@SENIXtools.com](mailto:parts@SENIXtools.com).

## GARANTÍA

### GARANTÍA LIMITADA DE TRES AÑOS

Garantía limitada de 3 años para todos los equipos a gasolina de la serie Senix 4QL.

DURANTE TRES AÑOS a partir de la fecha original de compra, este producto Senix está garantizado contra defectos de materiales o mano de obra en herramientas alimentadas. Los productos defectuosos serán reparados de modo gratuito.\* Esta garantía no cubre el desgaste normal de piezas y componentes tales como, la sierra de corte, línea o cuchillas, ni cubre el costo de transporte bajo garantía o servicio.

La garantía está sujeta a las condiciones siguientes:

- La garantía es aplicable al comprador original al por menor y no es transferible\*
- Registre la garantía en [www.senixtools.com](http://www.senixtools.com)
- La herramienta no ha sido mal utilizada, maltratada, descuidada, alterada, modificada o reparada por nadie que no sea un centro de servicio autorizado.
- Solo se han utilizado accesorios originales Senix con este producto o en el mismo.
- La herramienta ha sufrido un desgaste normal.
- La herramienta no se ha utilizado con fines comerciales o profesionales.
- La herramienta no se ha utilizado con fines comerciales o profesionales.
- Esta garantía solo cubre defectos que aparecen durante el uso normal y no cubre ningún mal funcionamiento, falla o defecto resultante de un mal uso, abuso (incluyendo sobrecarga del producto, exposición al agua o lluvia) accidentes, negligencia o falta de instalación adecuada y mantenimiento o almacenamiento incorrectos.

Para conocer la ubicación de su servicio Senix más cercano, llame gratis al número 800-261-3981 o envíe un email a [service@senixtools.com](mailto:service@senixtools.com).

### Limitaciones adicionales

Cualquier garantía implícita otorgada bajo la ley estatal, incluidas las garantías de comerciabilidad o idoneidad para un propósito particular, está limitada a tres años desde la fecha de compra en herramientas eléctricas y cargadores y siete años en baterías. El fabricante no es responsable por daños directos, indirectos, incidentales o consecuentes. Algunos estados y provincias no permiten limitaciones sobre la duración de una garantía implícita y/o no permiten la exclusión o limitación de daños incidentales, por lo que es posible que las limitaciones y exclusiones anteriores no sean aplicables en su caso. Esta garantía le proporciona derechos legales específicos sin perjuicio de otros derechos que les sea aplicables, los cuales varían entre estados o provincias.

YAT USA declina toda responsabilidad con respecto a la responsabilidad civil derivada de un uso abusivo o que no esté en conformidad con el uso y el mantenimiento adecuados de la herramienta según se describe en el manual del operador.

YAT USA no es responsable por daños directos, indirectos, incidentales o consecuentes.

Después de la compra, el fabricante recomienda el mantenimiento adecuado de la herramienta y leer el manual del operador antes de usarla.

\*El recibo original de compra puede ser requerido como prueba de compra

Para obtener servicio al cliente, llame al número de teléfono gratuito 1-800-261-3981 o entre a [Senixtools.com](http://Senixtools.com).

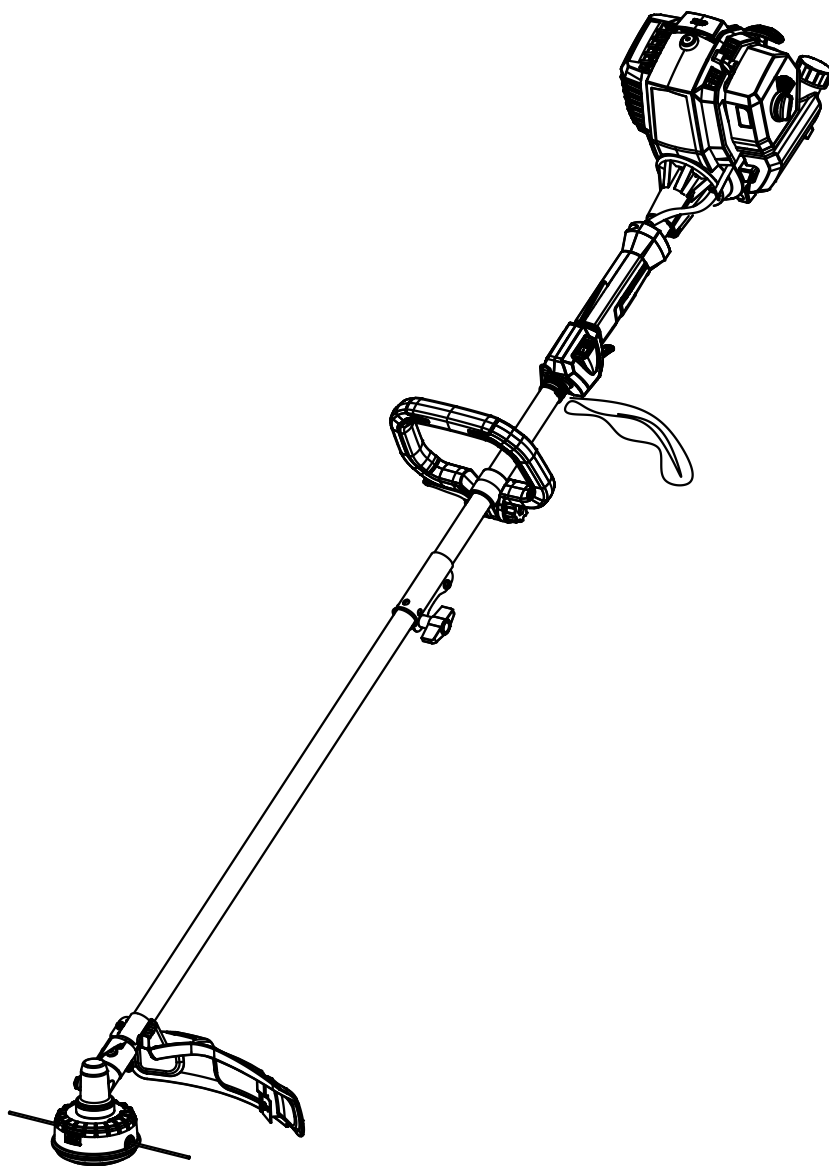
YAT USA, Inc. 9048 E Bahia Dr, suite 105, Scottsdale, AZ 85260



---

# Moteur 4 temps 31 cc (1.9 pouces cubiques) Taille-haie à essence

Manuel d'instructions  
Modèle: GTS4QL-M2



Pour joindre l'assistance aux consommateurs, veuillez appeler au 1-800-261-3981 ou envoyez un e-mail à :  
[Service@senixtools.com](mailto:Service@senixtools.com)

CONSERVEZ CE MANUEL POUR TOUTE CONSULTATION ULTÉRIEURE.

## TABLE DES MATIÈRES

SÉCURITÉ.....	43
DESCRIPTION DE VOTRE APPAREIL.....	46
SPÉCIFICATIONS* .....	46
ASSEMBLAGE.....	47
HUILE ET CARBURANT.....	49
DÉMARRAGE ET ARRÊT.....	51
FONCTIONNEMENT.....	53
ENTRETIEN.....	55
NETTOYAGE ET RANGEMENT.....	59
GUIDE DE DÉPANNAGE.....	60
DESCRIPTION DES PIÈCES.....	61
GARANTIE.....	62

## SÉCURITÉ

### DANGER:

Signale un danger EXTRÊME. Le non-respect du symbole de sécurité DANGER entraînera des blessures graves ou la mort pour vous-même ou pour autrui.

### AVERTISSEMENT:

Le pétrole brut, l'essence, le carburant diesel et d'autres produits pétroliers peuvent vous exposer à des produits chimiques, dont le toluène et le benzène, qui sont connus de l'État de Californie pour causer le cancer et des malformations congénitales. Ces expositions peuvent se produire dans et autour des champs de pétrole, des raffineries, des usines chimiques, des installations de transport et de stockage telles que les pipelines, les terminaux maritimes, les camions-citernes et autres installations et équipements. Pour plus d'informations, veuillez consulter : [www.P65Warnings.ca.gov/petroleum](http://www.P65Warnings.ca.gov/petroleum).

### AVERTISSEMENT:

Signale un risque GRAVE. Le non-respect du symbole de sécurité AVERTISSEMENT PEUT entraîner des blessures graves sur vous-même ou sur autrui.

### ATTENTION :

Signale un risque MODÉRÉ. Le non-respect du symbole de sécurité ATTENTION symbol PEUT entraîner des dommages matériels ou des blessures sur vous-même ou sur autrui.

**REMARQUE :** Les informations et les instructions sont essentielles pour savoir comment utiliser ou entretenir l'équipement.

### AVERTISSEMENT:

#### PROPOSITION DE LA CALIFORNIE 65

Ce produit contient des produits chimiques reconnus par l'État de Californie pouvant causer des cancers, des anomalies congénitales ou pouvant nuire à la reproduction.

**Lisez le manuel d'instructions et respectez tous les avertissements et les consignes de sécurité ! Le non-respect de ces instructions peut entraîner des blessures graves sur l'opérateur et / ou sur les personnes présentes.**

### • SYMBOLES INTERNATIONAUX DE SÉCURITÉ •

Ce manuel d'instructions décrit les symboles et pictogrammes de sécurité et internationaux susceptibles d'apparaître sur ce produit. Lisez le manuel d'instructions pour obtenir des informations complètes sur la sécurité, le montage, l'utilisation, l'entretien et les réparations.

SYMBOL	NOM	SIGNIFICATION
	Alerte de sécurité	Ce graphique, accompagné des mots AVERTISSEMENT, DANGER OU ATTENTION, attire l'attention sur un acte susceptible de provoquer des BLESSURES GRAVES.
	Lisez le manuel d'instructions	Lisez le manuel d'instructions(6) et respectez tous les avertissements et les consignes de sécurité. Le non-respect de ces instructions peut entraîner des blessures graves sur l'opérateur et / ou sur les personnes présentes.
	Portez des protections oculaires et auditives.	Portez toujours des lunettes de protection, des protections auditives et une protections sur la tête conformes aux normes ANSI Z87.1.
	Portez des chaussures adéquates	Portez des chaussures adéquates
	Portez des gants.	Portez des gants.
		Assurez-vous de ne pas blesser vos pieds avec l'accessoire de coupe.
		Méfiez-vous des objets pouvant être projetés par l'accessoire de coupe. N'utilisez jamais l'appareil sans le carter de protection correctement monté.
		Gardez une distance de 15 mètres de toute autre personne.
		Méfiez-vous des objets pouvant être projetés par l'accessoire de coupe. N'utilisez jamais l'appareil sans le carter de protection correctement monté.
		N'installez ni n'utilisez aucun type de lame sur l'appareil portant ce symbole.
<b>72dB(A)</b> <small>MEASURED AT 50FT. (15M) PER ANSI B175.3</small>		Niveau de pression acoustique mesuré: 72 dB(A)

## AVERTISSEMENTS DE SÉCURITÉ

1. Les précautions de sécurité appropriées doivent être observées. Comme tout équipement électrique, cet appareil doit être manipulé avec soin. **NE VOUS EXPOSEZ PAS VOUS-MÊME OU D'AUTRES PERSONNES AU DANGER** Suivez ces règles générales. Ne laissez pas d'autres personnes utiliser cet appareil, à moins qu'elles ne soient pleinement responsables, qu'elles aient lu et compris le manuel du taille-haie et qu'elles soient formées à son fonctionnement.
2. Pour votre sécurité, portez toujours des lunettes de sécurité. Habillez-vous de manière appropriée. Ne portez pas de vêtements amples, ni de bijoux, car ils risquent d'être entraînés dans les pièces mobiles. Portez toujours des chaussures sûres, solides et antidérapantes. Attachez vos cheveux pour qu'ils soient au-dessus des épaules. Il est recommandé de vous couvrir les jambes et les pieds afin de les protéger des débris volants en cours de fonctionnement.
3. Inspectez l'ensemble de l'appareil pour rechercher des pièces desserrées (écrous, boulons, vis, etc.) et tout dommage avant de commencer et d'utiliser l'appareil. Réparez ou remplacez les pièces endommagées, si nécessaire, avant d'utiliser l'appareil.
4. **N'UTILISEZ PAS** d'accessoires ou des pièces non recommandés par le fabricant. Vous risqueriez de vous blesser gravement ou de blesser d'autres personnes, ou d'endommager l'appareil.
5. Veillez à ce que les poignées restent exemptes d'huile et de graisse.
6. N'utilisez pas l'appareil sous des conditions d'éclairage insuffisantes.
7. N'utilisez pas cet appareil si vous êtes fatigué(e), quand votre concentration est altérée ou que vous êtes sous l'influence d'alcool, de drogues ou de médicaments.
8. Utilisez toujours les poignées appropriées lors de la coupe.
9. Ne fumez pas lors du remplissage du réservoir.
10. Ne remplissez pas de carburant dans une pièce fermée ou à proximité de flammes nues. Assurez une ventilation adéquate.
11. Conservez toujours le carburant dans un récipient correctement identifié et approuvé par les ordonnances et les codes locaux.
12. Ne débouchez jamais le réservoir de carburant tant que le moteur est en marche.
13. Ne démarrez jamais et ne faites jamais fonctionner le produit dans une pièce ou un bâtiment fermé. Les vapeurs d'échappement contiennent du monoxyde de carbone dangereux.
14. N'essayez jamais de régler le moteur tant que le moteur tourne. Effectuez toujours les réglages du moteur lorsque l'unité repose sur une surface plane et non obstruée.
15. N'utilisez pas l'appareil s'il est endommagé ou mal ajusté. Ne retirez jamais le carter de protection de l'unité. Vous risqueriez de vous blesser gravement ou de blesser d'autres personnes, ou d'endommager l'appareil.
16. Inspectez la zone à couper et enlevez tous les débris susceptibles de se coincer dans la tête de coupe en nylon. Retirez également tous les objets que l'unité pourrait projeter pendant la coupe.
17. Veillez à ce que les enfants restent à distance. Les spectateurs doivent être tenus à une distance de sécurité de la zone de travail, à au moins 15 mètres (50 pieds).
18. Ne laissez jamais l'appareil sans surveillance lorsqu'il est en marche.
19. N'utilisez pas cet appareil pour tout autre usage que celui auquel il est destiné.
20. Ne vous penchez pas au-dessus de l'appareil. Restez toujours d'aplomb et gardez constamment un bon équilibre. N'utilisez pas l'appareil en vous tenant debout sur une échelle ou sur tout autre objet où vous pourriez être instable.
21. Gardez les mains et les pieds à une distance de sécurité de la ligne de coupe en nylon pendant l'utilisation de l'appareil.
22. N'utilisez pas ce type d'appareil pour balayer les débris.
23. Utilisez une tête de coupe en nylon non endommagée. Si une pierre ou toute autre obstruction est heurtée, arrêtez le moteur et vérifiez la tête de coupe. Une tête de coupe en nylon cassée ou désaxée ne doit jamais être utilisée.
24. **SUIVEZ LES INSTRUCTIONS** d'assemblage et d'utilisation.
25. Ne rangez pas l'appareil dans un endroit fermé où les vapeurs de carburant peuvent atteindre une flamme nue provenant d'un chauffe-eau, d'une chaudière, etc. Conservez-le uniquement dans un endroit verrouillé et bien ventilé.
26. Assurez-vous que votre appareil fonctionne correctement et en toute sécurité. Utilisez exclusivement les accessoires originaux. L'utilisation de pièces ou d'accessoires non autorisés pourrait entraîner des blessures graves sur l'utilisateur ou endommager l'appareil et annuler la garantie.
27. Si vous prévoyez de ne pas utiliser l'appareil pendant une longue période, nettoyez-le complètement, en particulier le réservoir de carburant / huile, les pièces environnantes et le filtre à air.
28. Assurez-vous d'arrêter le moteur et de le laisser refroidir avant de remplir à nouveau le réservoir. Ne versez jamais de carburant dans le réservoir lorsque le moteur est en marche ou chaud. En cas de débordement d'essence, assurez-vous de bien l'essuyer et d'éliminer ces substances avant de démarrer le moteur.
29. Restez éloigné(e) des autres travailleurs ou des passants d'au moins 15 mètres / 50 pieds.
30. À chaque fois que vous vous approchez d'un opérateur de l'appareil, appelez-le avec précaution et assurez-vous que l'opérateur arrête le moteur. Veillez à ne pas surprendre ou distraire l'opérateur, car cela pourrait créer une situation dangereuse.
31. Ne touchez jamais la tête de coupe en nylon lorsque le moteur tourne. S'il est nécessaire de



- régler le protecteur ou la tête de coupe en nylon, veillez à arrêter le moteur et assurez-vous que la tête de coupe en nylon a cessé de fonctionner.
32. Le moteur doit être éteint lorsque l'unité est déplacée entre les zones de travail.
  33. Veillez à ne pas heurter la tête de coupe en nylon contre les pierres ou le sol. Des manœuvres déraisonnables réduiront la durée de vie de l'appareil et créeront un environnement dangereux pour vous et votre entourage.
  34. Prenez garde à ce que des pièces ne se desserrent pas et ne surchauffent pas. En cas d'anomalie, arrêtez immédiatement le fonctionnement de l'appareil et vérifiez soigneusement l'appareil. Si nécessaire, faites réparer l'appareil par le service d'assistance à la clientèle. Ne continuez jamais à faire fonctionner l'appareil si une anomalie se produit.
  35. Au démarrage ou pendant le fonctionnement du moteur, ne touchez jamais des pièces chaudes telles que le silencieux, le fil haute tension ou la bougie.
  36. Une fois le moteur arrêté, le silencieux reste encore chaud. Ne placez jamais l'appareil dans des endroits où il y a des matières inflammables (herbe sèche, etc.), des gaz ou des liquides combustibles.
  37. Prenez des précautions particulières si vous faites fonctionner l'appareil sous la pluie ou juste après, car le sol peut être glissant.
  38. Si vous glissez ou tombez au sol, relâchez immédiatement le levier d'alimentation.
  39. Veillez à ne pas laisser tomber l'unité ou à la frapper contre des obstacles.
  40. Avant de procéder à un réglage ou à une réparation sur l'unité, assurez-vous d'arrêter le moteur et de détacher la bougie.
  41. Lorsque l'unité est entreposée pour une longue période, vidangez le carburant / l'huile du réservoir de carburant / d'huile et du carburateur, nettoyez les pièces et placez la machine dans un endroit sûr.
  42. Procédez à des inspections périodiques pour assurer un fonctionnement sûr et efficace. Pour une inspection approfondie de votre appareil, contactez le service d'assistance aux consommateurs.
  43. Gardez l'appareil éloigné du feu et des étincelles.
  44. Gardez votre corps échauffé, en particulier la tête, le cou, les pieds, les chevilles, les mains et les poignets.
  45. Maintenez une bonne circulation sanguine en effectuant des mouvements vigoureux des bras pendant les pauses fréquentes et en évitant de fumer.
  46. Limitez les heures d'utilisation.
  47. Si vous ressentez une gêne, une rougeur et un gonflement des doigts, suivis d'un blanchiment et d'une perte de sensibilité, consultez votre médecin avant de vous exposer davantage au froid et aux vibrations.
  48. Portez toujours une protection auditive. Les bruits forts pendant de longues périodes peuvent entraîner une perte auditive, voire une surdité permanente.
  49. Portez des gants de travail résistants et

antidérapants pour améliorer votre préhension sur la poignée. Les gants réduisent également la transmission des vibrations de l'appareil à vos mains.

## **AVERTISSEMENT:**

La tête de coupe est toujours dangereuse avant que l'appareil ne s'arrête complètement.

50. Ne posez pas l'appareil sur le côté; sinon le carburant pourrait s'écouler.
51. L'évaporation du carburant pendant le ravitaillement et les gaz d'échappement sont nocifs pour l'opérateur et les personnes présentes autour de l'appareil.
52. Assurez-vous que l'évaporation du carburant et les gaz d'échappement ne s'échapperont pas devant l'opérateur et éloignez les autres personnes de votre zone de travail.
53. Ne laissez pas des enfants ou des personnes non entraînées utiliser cet appareil.

## **RISQUES RÉSIDUELS**

### **AVERTISSEMENT:**

Il est impossible d'éliminer tous les facteurs de risques résiduels, même si les instructions d'utilisation de l'unité sont respectées. Les dangers suivants peuvent exister du fait de la fabrication et de la conception de l'outil:

- Lésions touchant les poumons si aucun masque anti-poussières efficace n'est porté.
- Perte d'acuité auditive si aucune protection auditive efficace n'est portée.
- Des problèmes de santé dus aux émissions vibratoires si l'outil est utilisé pendant une durée trop longue ou s'il n'est pas correctement utilisé et entretenu.

### **AVERTISSEMENT:**

Cet outil génère un champ électromagnétique quand il est en fonctionnement. Dans certaines circonstances, ce champ magnétique peut interférer avec les implants médicaux actifs ou passifs! Pour réduire le risque de blessure grave ou mortelle, nous recommandons aux personnes portant des implants médicaux de consulter leur médecin et le fabricant de l'implant médical avant d'utiliser cet appareil.

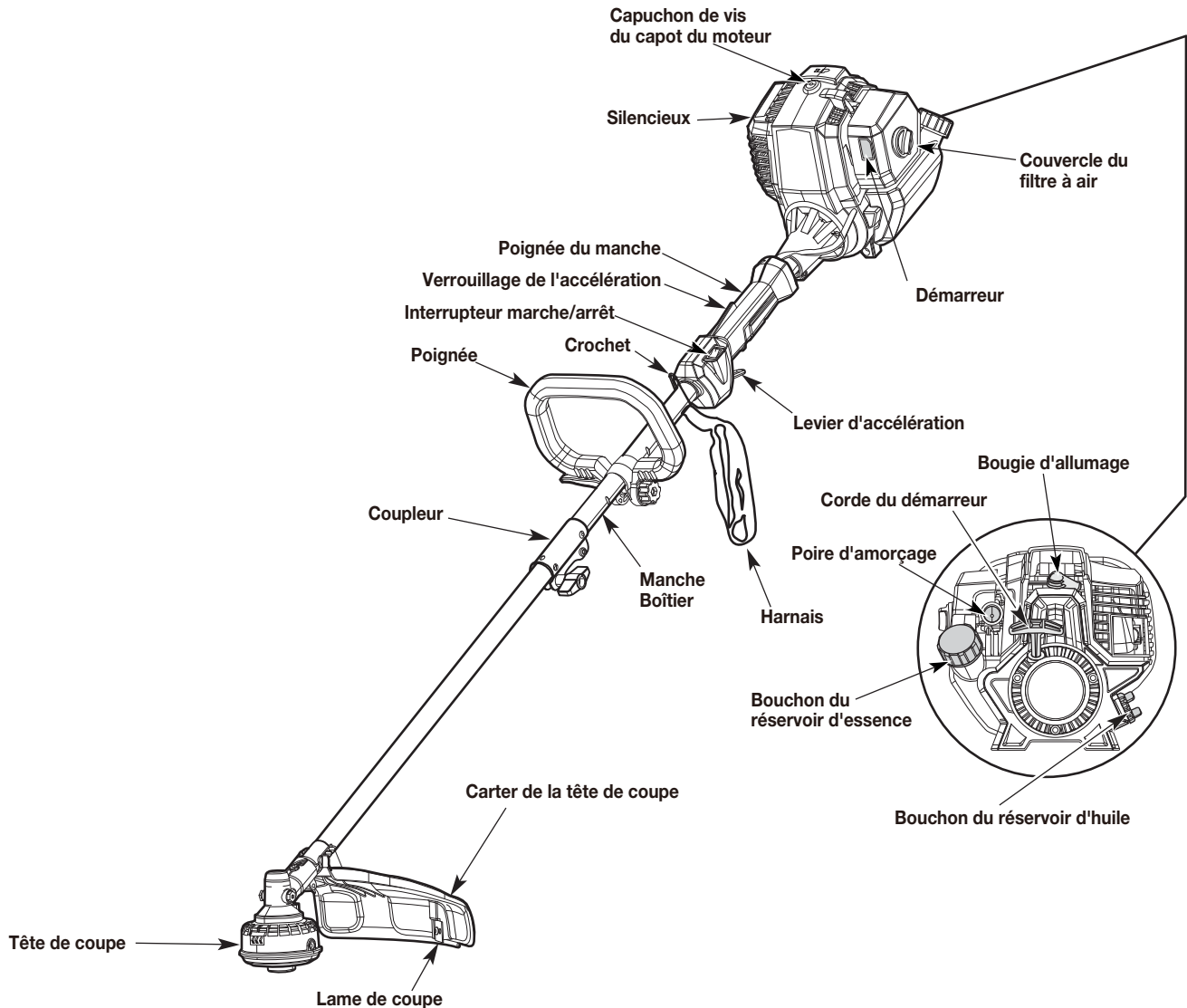
## DESCRIPTION DE VOTRE APPAREIL

### APPLICATIONS

Comme taille-haie :

- Pour couper les herbes et les mauvaises herbes fines
- Comme coupe-bordures :
- Pour couper de manière décorative autour des arbres, des clôtures, etc.

D'autres accessoires optionnels peuvent être utilisés avec cet appareil.



### SPÉCIFICATIONS\*

Type de moteur.....	Refroidi à l'air, 4 temps
Cylindrée.....	1.9 pouces cubiques (31 cc)
Écartement de la bougie.....	0,025 pouce - 0,31 pouce (0,6 - 0,8 mm)
Lubrification.....	Huile SAE 30
Capacité de lubrification du carter.....	2.01 oz. (60 ml)
Capacité du réservoir de carburant.....	10,93 oz. (320 ml)
Poids approximatif (sans carburant).....	11,84 livres (5,37 kg)
Mécanisme de coupe.....	Bobine à avancement du fil par secousse ou tête à fil fixe
Fil de coupe.....	Fil de coupe en spirale
Diamètre du fil de coupe.....	0,095 pouce (2,4 mm)
Diamètre du chemin de coupe (modèle n° 74098*).....	17,7 pouce (450 mm)

\* Toutes les spécifications sont basées sur les dernières informations disponibles sur le produit au moment de l'impression.. Nous nous réservons le droit d'apporter des modifications à tout moment sans préavis.

## ASSEMBLAGE

Ce produit doit être assemblé. Retirez délicatement le produit et tous les accessoires hors de l'emballage. Assurez-vous que toutes les pièces énumérées dans la liste de l'emballage sont incluses. Inspectez soigneusement le produit pour vous assurer qu'il n'y a pas eu de cassure ou de dommage pendant le transport.

Ne jetez pas les matériaux d'emballage avant d'avoir soigneusement inspecté et utilisé le produit de manière satisfaisante. Si des pièces sont endommagées ou manquantes, veuillez appeler le centre d'assistance à la clientèle 1-800-261-3981.

### **AVERTISSEMENT:**

N'utilisez pas ce produit si des pièces de la liste d'emballage sont déjà assemblées à votre produit lorsque vous le déballez. Les pièces de cette liste ne sont pas assemblées au produit par le fabricant et nécessitent un assemblage par le consommateur. L'utilisation d'un produit dont les pièces sont endommagées ou manquantes pourrait provoquer de graves dommages corporels.

### PIÈCES INCLUSES

Quantité	Élément
1	Guide rapide de démarrage
1	Manuel d'instructions
1	Bobine à avancement du fil par secousse (installée)
1	Harnais
1	Tête à fil fixe
1	Fil noir de 130 pouces (4 m)
1	Carter de la tête de coupe et vis de montage
1	Clé Torx
1	Clé à bougie
1	Bouteille d'huile de 60 ml
1	Déclaration de garantie
1	Lettre de garantie EPA

### **AVERTISSEMENT:**

Pour éviter un démarrage accidentel qui pourrait causer des blessures graves, débranchez toujours le fil de la bougie du moteur lors de l'assemblage des pièces.

### **AVERTISSEMENT:**

N'installez, ne retirez et ne réglez jamais aucun accessoire lorsque la tête motrice est en marche. Ne pas arrêter le moteur peut causer des blessures graves.

### INSTALLATION DU CARTER DE LA TÊTE DE COUPE

1. Retirez la vis du carter de la tête de coupe.
2. Insérez la languette du support de montage dans la fente du carter de la tête de coupe (schéma 1).
3. Faites pivoter la tête de coupe jusqu'à ce que le trou du support de montage s'aligne avec le trou de vis du carter de la tête de coupe.
4. Insérez la vis et serrez jusqu'à ce que le carter de la tête de coupe soit fermement verrouillée en place.

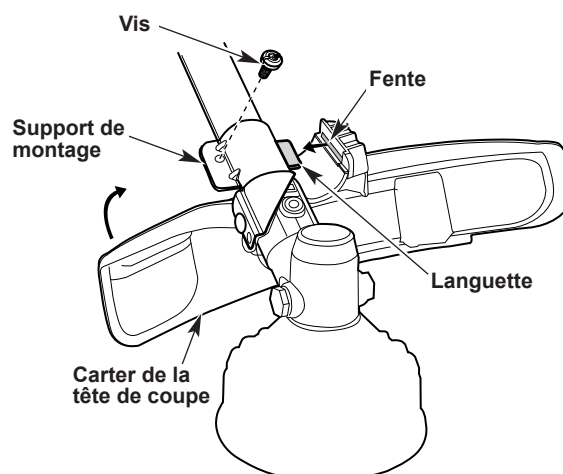


Fig. 1

### REGLAGE DE LA POIGNÉE

La poignée peut être ajustée pour être positionnée sur le manche sous un angle de préhension approprié. Pour régler la poignée :

1. Abaissez le levier et tournez l'écrou dans le sens inverse des aiguilles d'une montre pour desserrer la poignée (schéma 2).
2. Maintenez l'unité en position de fonctionnement. Déplacez la poignée vers le haut ou vers le bas du boîtier de l'arbre jusqu'à obtenir une orientation confortable. Assurez-vous que la poignée est positionnée au-delà de l'extrémité de l'étiquette de sécurité.
3. Inclinez la poignée jusqu'à l'angle de préhension désiré.
4. Tournez la molette dans le sens des aiguilles d'une montre et relevez le levier pour fixer la poignée.

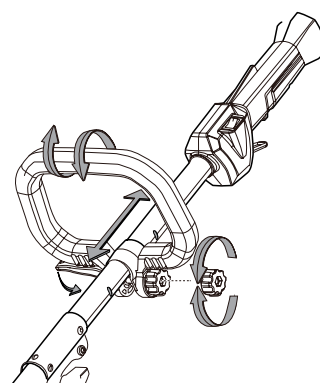


Fig. 2

### INSTALLATION ET DÉMONTAGE DES ACCESSOIRES

En plus du manche inférieur du taille-haie fourni, le coupleur situé sur le manche supérieur permet d'utiliser divers autres accessoires inférieurs, disponibles à la vente.

### **AVERTISSEMENT:**

Avant d'utiliser un accessoire, lisez et comprenez le manuel fourni avec cet accessoire. Suivez toutes les informations de sécurité incluses.

## **⚠️ AVERTISSEMENT:**

Pour éviter des blessures graves et des dommages matériels, mettez l'appareil hors tension avant de retirer ou d'installer un accessoire.

### **Installation de l'accessoire**

1. Le cas échéant, retirez l'entretoise grise de l'ouverture du coupleur.
2. Placez l'appareil sur une surface plane et nivelée.
3. Tournez la molette dans le sens inverse des aiguilles d'une montre pour desserrer le coupleur (schéma 3).
4. Alignez le bouton de déverrouillage avec le renforcement du guide (schéma 4).
5. Poussez l'accessoire directement dans le coupleur jusqu'à ce que le bouton de dégagement s'enclenche fermement dans le trou principal (schéma 5).
6. serrer le coupleur.

## **⚠️ ATTENTION:**

Avant d'utiliser l'appareil, assurez-vous que le bouton de déverrouillage est complètement enclenché dans le trou principal et que la molette est bien serrée.

## **⚠️ ATTENTION:**

Sauf indication contraire, le bouton de déverrouillage ne doit être enclenché que dans le trou principal. L'utilisation du trou incorrect pourrait causer des blessures ou endommager l'appareil.

### **Retrait de l'accessoire**

1. Placez l'appareil sur une surface plane et nivelée.
2. Tournez la molette dans le sens inverse des aiguilles d'une montre pour desserrer le coupleur (schéma 3).
3. Appuyez sur le bouton de déverrouillage et maintenez-le enfoncé (schéma 4).
4. Tirez l'accessoire verticalement pour le sortir hors du coupleur (schéma 5).

### **INSTALLATION DU HARNAIS**

Le harnais avec fonction de dégagement rapide peut être accroché derrière la poignée arrière si nécessaire.

**REMARQUE:** L'utilisation du harnais est facultative.

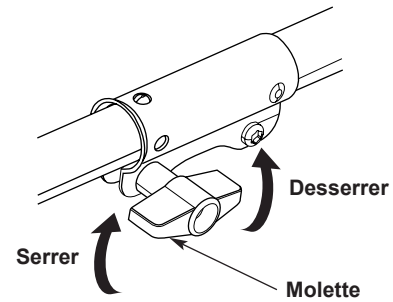


Fig. 3

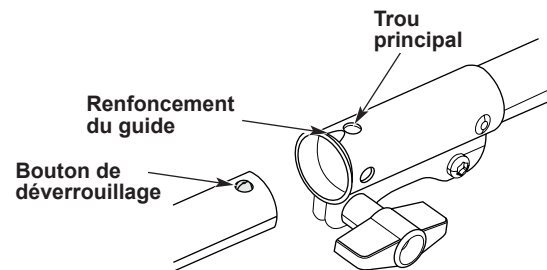


Fig. 4

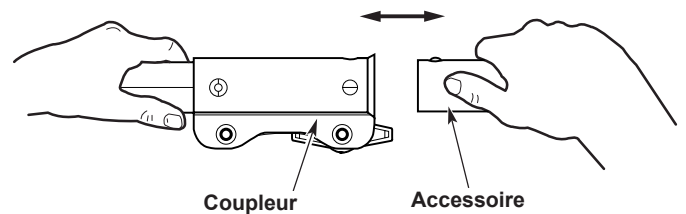


Fig. 5

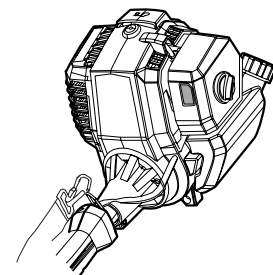


Fig. 5a

## UTILISATION DE L'HUILE APPROPRIÉE

Utilisez une huile de qualité SAE 30. N'utilisez PAS d'huile sale. Si vous n'utilisez pas d'huile propre du type approprié, vous risquez de provoquer une usure prématurée et une défaillance du moteur.

## AJOUTER DE L'HUILE : PREMIÈRE UTILISATION

### ⚠ ATTENTION:

Tenter de démarrer le moteur avant qu'il ait été correctement rempli de lubrifiant entraînera une défaillance de l'équipement non couvert par la garantie.

### ⚠ AVERTISSEMENT:

TROP REMPLIR LE CARTER PEUT CAUSER DES BLESSURES GRAVES. Vérifiez le niveau d'huile avant chaque utilisation. Il est très important de maintenir le bon niveau d'huile. Changez l'huile selon le programme d'entretien.

### ⚠ ATTENTION:

Ne remplissez pas trop le réservoir. Un remplissage excessif du carter peut provoquer une fumée excessive, une perte d'huile et des dommages sur le moteur.

**REMARQUE :** Cet appareil est expédié sans huile dans le carter. L'huile doit être ajoutée avant de commencer à utiliser l'appareil.

**REMARQUE :** Cet appareil est livré avec un bidon d'huile de 2,03 oz. (60 ml).

1. Placez l'appareil sur une surface plane et nivelée.
2. Dévissez le bouchon du réservoir à huile (schéma 6).
3. Versez tout le bidon d'huile dans l'orifice de remplissage d'huile. NE remplissez PAS trop le réservoir. Référez-vous au paragraphe "Vérification du niveau d'huile".

**REMARQUE :** Ne versez jamais d'huile dans le réservoir d'essence. Cet appareil est équipé d'un moteur à quatre temps. NE mélangez PAS l'huile avec l'essence.

4. Essuyez toute huile qui pourrait avoir été renversée.
5. Remplacez le bouchon sur le réservoir d'huile. Assurez-vous que le joint torique est en place sur le bouchon du réservoir d'huile (schéma 6).

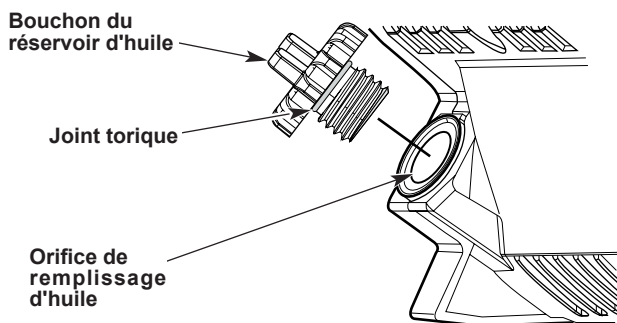


Fig. 6

## REPLISSAGE DU CARBURANT

### ⚠ AVERTISSEMENT:

Le carburant est inflammable. Les vapeurs allumées peuvent exploser. Arrêtez toujours le moteur et laissez-le refroidir avant de remplir le réservoir. Ne fumez pas lors du remplissage du réservoir. Éloignez-vous des étincelles et des flammes nues lors du remplissage du réservoir.

### ⚠ AVERTISSEMENT:

Retirez lentement le bouchon du réservoir d'essence pour éviter les blessures dues à toute pulvérisation du carburant. N'utilisez jamais l'appareil sans le bouchon du réservoir en place.

### ⚠ AVERTISSEMENT:

Ajoutez du carburant dans un espace extérieur propre et bien ventilé. Essuyez immédiatement tout déversement de carburant. Évitez de créer une source d'ignition pour le carburant déversé. Ne démarrez pas le moteur avant que les vapeurs de carburant ne se soient dissipées.

### ⚠ AVERTISSEMENT:

L'essence et ses vapeurs sont hautement inflammables et explosives. Pour éviter des blessures graves et des dommages matériels importants, manipulez le carburant avec précaution. Éloignez-vous des sources d'inflammation et des flammes nues, manipulez le carburant à l'extérieur uniquement.

Versez le carburant à l'extérieur là où il n'y a pas d'étincelles ni de flammes. Ne débouchez jamais le réservoir de carburant tant que le moteur est en marche. Ne fumez pas lors du remplissage du réservoir. Essuyez le carburant déversé sur l'appareil. Éloignez-vous d'au moins 10 pieds (3 m) de la source d'alimentation et du lieu de mélange et remplissage avant de démarrer le moteur.

### ⚠ AVERTISSEMENT:

Portez toujours des pantalons longs et épais, des bottes, des gants et une chemise à manches longues. Ne portez pas de vêtements amples, de bijoux, de pantalons courts, de sandales et ne travaillez pas pieds nus. Attachez vos cheveux pour qu'ils soient au-dessus des épaules.

1. Placez l'appareil avec le bouchon du réservoir d'essence orienté vers le haut.
2. Retirez lentement le bouchon du réservoir d'essence.
3. Placez le bec du récipient de carburant dans l'orifice de remplissage du réservoir d'essence et remplissez le réservoir. Arrêtez d'ajouter du carburant lorsque vous voyez que le niveau atteint la base du bec de réservoir (schéma 6a).

**REMARQUE :** Ne remplissez pas excessivement le réservoir.

4. Essuyez le carburant qui aurait pu être renversé.

5. Remettez le bouchon du réservoir d'essence.
6. Déplacez l'appareil à au moins 30 pieds (9,1 mètre) de distance de l'endroit où vous avez rempli le réservoir avant de démarrer le moteur.

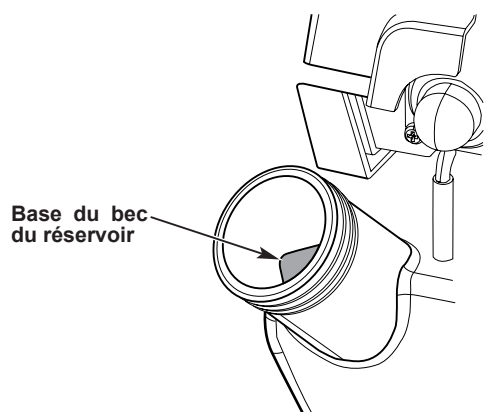


Fig. 6a



### **AVERTISSEMENT:**

Tâchez d'éviter qu'une bonne connaissance de ce produit vous rende négligent. Rappelez-vous qu'il ne suffit qu'une fraction de seconde d'inattention pour provoquer de graves blessures.

### **AVERTISSEMENT:**

Portez toujours des lunettes de sécurité avec des protections latérales marquées conformes à la norme ANSI Z87.1 lorsque vous utilisez cet équipement. Ne pas respecter cette consigne pourrait avoir pour conséquence l'éjection d'objets dans vos yeux, provoquant de possibles blessures graves.

### **AVERTISSEMENT:**

N'utilisez pas des accessoires ou des pièces non recommandés par le fabricant de ce produit. L'utilisation d'équipements ou d'accessoires qui ne sont pas recommandés peut provoquer de graves dommages corporels.

### **AVERTISSEMENT:**

L'utilisation de cet équipement pourrait créer des étincelles pouvant déclencher des incendies autour d'une végétation sèche. Un pare-étincelles peut être requis. L'opérateur doit contacter les services d'incendie locaux pour connaître les lois ou règlements relatifs aux exigences de prévention des incendies.

### **UTILISATION DU CARBURANT APPROPRIÉ**

L'utilisation d'un vieux carburant est la cause la plus fréquente de problèmes de performance. Utilisez uniquement de l'essence sans plomb fraîche et propre.

**REMARQUE:** Cet appareil est équipé d'un moteur à quatre temps. NE mélangez PAS l'huile avec l'essence.

### **Définition des carburants mélangés**

Les carburants actuels sont souvent un mélange d'essence et de composés oxygénés tels que l'éthanol, le méthanol ou le MTBE (éther). Le carburant mélangé à l'alcool absorbe l'eau. Une quantité aussi faible que 1% d'eau dans le carburant peut séparer le carburant et l'huile, formant des acides une fois l'appareil stocké. Utilisez TOUJOURS de l'essence fraîche (de moins de 30 jours).

**REMARQUE :** Jetez le vieux carburant conformément aux réglementations fédérales, provinciales et locales.

### **Utilisation des carburants mélangés**

Si vous utilisez un carburant mélangé

- Utilisez toujours de l'essence sans plomb
- Utilisez l'additif pour carburant STA-BIL® ou un type équivalent

### **AVERTISSEMENT:**

**N'UTILISEZ PAS DE CARBURANT E85 DANS CE PRODUIT.** Il a été prouvé qu'un carburant contenant plus de 10% d'éthanol peut endommager ce moteur et annuler la garantie.

### **Utilisation d'additifs de carburant**

Utilisez un additif pour carburant, tel que le stabilisateur de carburant STA-BIL ou un type équivalent, pour empêcher la corrosion et minimiser les dépôts de gomme. Ajoutez 0,8 oz. (23 ml) d'additif de carburant par gallon de carburant, conformément aux instructions figurant sur le récipient. N'ajoutez JAMAIS d'additifs de carburant directement dans le réservoir d'essence de l'appareil.

### **AVERTISSEMENT:**

Faites fonctionner cet appareil uniquement dans un espace extérieur bien ventilé. Les gaz d'échappement de monoxyde de carbone peuvent être mortels dans un espace confiné.

### **AVERTISSEMENT:**

Évitez de démarrer accidentellement l'appareil. Pour éviter des blessures graves, l'opérateur et l'appareil doivent être dans une position stable lorsque vous tirez la corde du démarreur (schéma 10).

### **AVERTISSEMENT:**

Ne démarrez et ne faites jamais fonctionner l'unité dans une pièce ou un bâtiment fermé; respirer du monoxyde de carbone provenant des gaz d'échappement peut tuer.

### **ATTENTION:**

Inspectez le produit avant chaque utilisation. Remplacez les pièces endommagées. Vérifiez s'il n'y a pas de fuite de carburant. Vérifiez que toutes les attaches sont en place et sécurisées. Remplacez les pièces fissurées, ébréchées ou endommagées de quelque façon que ce soit. Vérifiez que l'accessoire de coupe est correctement installé et solidement fixé. Assurez-vous que la protection de l'accessoire de coupe est correctement fixé et dans la position recommandée par le fabricant. Utilisez exclusivement le type de fil flexible et non métallique recommandé par le fabricant. N'utilisez jamais, par exemple, un fil métallique ou un câble métallique qui pourrait se détacher et devenir un projectile dangereux.

### **ATTENTION :**

Vérifiez la zone de travail avant chaque utilisation. Enlevez tous les objets tels que les pierres, le verre brisé, les clous, les fils métalliques ou les ficelles qui pourraient être projetés ou coincés dans l'appareil. Dégagez la zone en éloignant les enfants, les passants et les animaux domestiques à l'extérieur d'un rayon de 15 m: il existe toujours un risque de blessure par projection d'objets en dehors de la zone de 15 m. Demandez aux spectateurs de porter des lunettes de protection.

Si quelqu'un approche, arrêtez immédiatement le moteur. Dans le cas des appareils à lames, il y a un risque supplémentaire que des personnes soient

blessées par la lame en mouvement en cas de coup brusque de la lame ou de toute autre réaction inattendue de la scie.

## INSTRUCTIONS DE DÉMARRAGE

1. Vérifiez le niveau d'huile. Référez-vous au paragraphe "Vérification du niveau d'huile".
2. Remplissez le réservoir d'essence. Reportez-vous au paragraphe "Remplissage du carburant"

**REMARQUE:** Il n'est pas nécessaire de mettre l'appareil en marche. L'interrupteur marche / arrêt est en position ON (I) à tout moment (schéma 7).

3. Appuyez et relâchez lentement la poire d'amorçage 10 fois (schéma 8).
4. Appuyez sur le bouton d'étranglement jusqu'à ce que vous entendiez un déclic (schéma 9).
5. Accroupissez-vous pour vous mettre en position de démarrage (schéma 10).

**REMARQUE:** Le starter se désengage automatiquement lorsque le déverrouillage et le levier d'accélération sont actionnés.

6. Tirez la corde du démarreur avec un mouvement contrôlé et régulier 5 fois pour démarrer le moteur (schéma 10). Laissez le moteur chauffer pendant 30 à 60 secondes au ralenti avant d'augmenter la vitesse de coupe.
7. Pour augmenter la vitesse de coupe du taille-haie, maintenez le verrouillage de l'accélérateur enfoncé d'une main, puis appuyez sur le levier d'accélération avec l'autre main. Plus vous appuyez sur le levier d'accélération, plus la vitesse de coupe sera augmentée (schéma 7).

**REMARQUE:** Le déverrouillage restera activé tant que le levier d'accélération sera pressé.

**REMARQUE:** Pour éviter que le levier d'accélération ne soit pressé accidentellement, cette unité dispose d'un système de verrouillage. Le levier d'accélération ne peut être pressé que si le verrouillage est également désactivé.

**SI...** le moteur ne démarre pas, recommencez la procédure de démarrage à l'étape 3.

**SI...** le moteur ne démarre pas après 3 tentatives : Appuyez et maintenez le verrouillage d'accélération. Pressez et maintenez appuyé le levier d'accélération. Tirez la corde du démarreur avec un mouvement contrôlé et régulier jusqu'à ce que le moteur démarre.

**SI...** le moteur s'arrête alors que le levier d'accélération est pressé, recommencez la procédure de démarrage à l'étape 3.

**SI LE MOTEUR EST CHAUD...** recommencez la procédure de démarrage à l'étape 4.

## INSTRUCTIONS D'ARRÊT

1. Relâchez le levier d'accélération et laissez le moteur reprendre son régime de ralenti.
2. Appuyez et maintenez l'interrupteur Marche / Arrêt en position d'arrêt (O) jusqu'à ce que le moteur s'arrête complètement (schéma 7). Assurez-vous que le système de coupe est arrêté avant de poser l'unité.

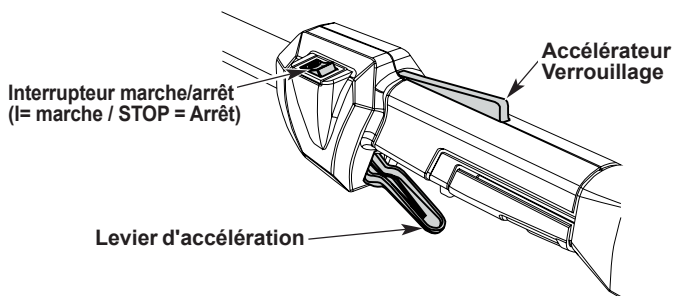


Fig. 7

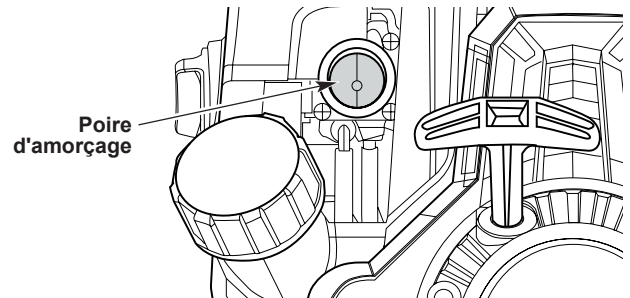


Fig. 8

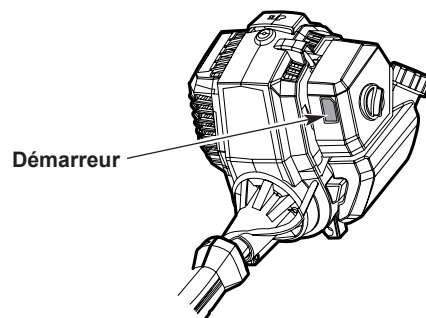


Fig. 9



Fig. 10

## MAINTIEN DE L'APPAREIL

### ⚠️ AVERTISSEMENT:

Portez toujours une protection pour les yeux, les oreilles, les mains, les pieds et le corps afin de réduire les risques de blessures lors de l'utilisation de cet appareil. Veillez à maintenir toutes les parties de votre corps éloignées du mécanisme de coupe et des surfaces chaudes.

### ⚠️ AVERTISSEMENT:

Pour éviter des blessures graves, évitez tout contact du moteur avec le bras lors de l'utilisation de l'appareil. Le moteur peut devenir extrêmement chaud.

- Placez-vous en position de travail (schéma 11). Tenez-vous droit(e). Ne vous penchez pas.
- Gardez les pieds écartés et fermes sur le sol.
- Tenez la poignée du manche de la main droite. Gardez le bras droit légèrement plié.
- Tenez la poignée avec la main gauche. Gardez le bras gauche tendu.
- Tenez l'appareil au niveau de la taille.
- Positionnez la tête de coupe à quelques pouces du sol.
- Veillez à maintenir toutes les parties de votre corps éloignées du mécanisme de coupe en rotation et des surfaces chaudes.
- Pour éloigner les débris coupés de votre corps, faites pivoter, si possible, le taille-haie dans un mouvement de coupe de gauche à droite. Il y a une flèche en relief sur le dessus du carter de protection indiquant la direction de gauche à droite du taille-haie.

## COUPE DECORATIVE

Lors de la coupe autour d'arbres, de poteaux, de clôtures, etc., faites pivoter l'appareil de sorte que la tête de coupe soit positionnée sur un angle de 30° par rapport au sol (schéma 12).

### Entretien du fil de coupe

- Les surfaces dures, telles que les trottoirs, peuvent provoquer l'usure rapide ou la rupture du fil de coupe.
- Vérifiez fréquemment la longueur du fil de coupe. Remplacez le fil de coupe si nécessaire. Référez-vous au paragraphe "Remplacement du fil de coupe".
  - NE forcez PAS l'appareil. Procédez à des coupes peu profondes avec autant de passages que nécessaire pour atteindre la profondeur souhaitée. Coupez à un rythme lent et régulier.

## CONSEILS DE COUPE

- Évitez les surfaces chaudes en gardant toujours l'outil éloigné de votre corps.
- Coupez toutes les herbes de haut en bas. Cela empêchera l'herbe de s'enrouler autour du boîtier du manche et de la tête, car cela pourrait causer des dommages dus à une surchauffe.
- Si de l'herbe s'enroule autour de la tête de coupe, **ARRÊTEZ LE MOTEUR**, débranchez le fil de la bougie et retirez l'herbe.
- Utilisez la pointe pour couper l'herbe; ne forcez pas la

tête dans l'herbe non coupée.

- Évitez les arbres, les fleurs, les pierres, les murs et autres objets qui pourraient casser le fil.
- Vérifiez et alimentez le fil régulièrement pour maintenir la largeur de coupe et des performances optimales.



Fig. 11

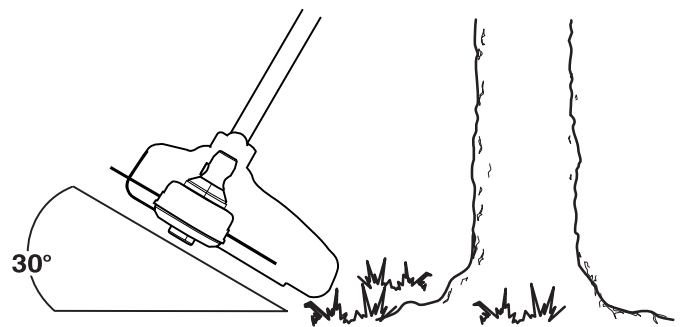


Fig. 12

## RÉGLAGE DU FIL DE COUPE

Cet appareil est muni d'une bobine à avancement du fil par secousse. Le fil de coupe peut être libéré de la bobine sans arrêter le moteur. Pour libérer plus de fil, tapez légèrement le bouton de déclenchement du fil sur le sol (schéma 13) tout en faisant fonctionner l'appareil à grande vitesse. Pour de meilleurs résultats, tapez le bouton de déclenchement sur un sol nu ou dur. Tenter de libérer le fil dans des hautes herbes peut faire caler le moteur.

**REMARQUE :** Ne posez pas la tête de coupe sur le sol lorsque l'appareil est en marche.

Chaque fois que vous tapez sur le bouton de déclenchement, un fil de coupe d'environ 1 pouce (25,4 mm) est relâché.

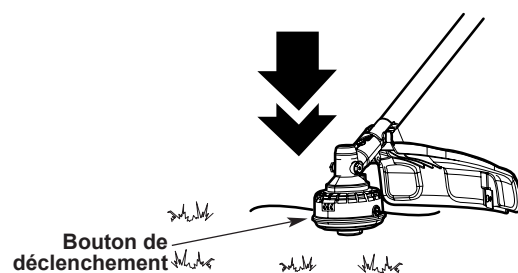


Fig. 13

**REMARQUE:** Gardez toujours le fil de coupe complètement étiré. La libération du fil devient plus difficile lorsque le fil de coupe est plus court.

## **ATTENTION:**

N'enlevez pas et ne modifiez pas l'assemblage du fil de coupe. Une longueur excessive de fil entraînera une surchauffe de l'unité. Cela pourrait entraîner des blessures graves ou endommager l'appareil.

## **CONSEILS POUR OBTENIR DE MEILLEURS RÉSULTATS**

- Pour éloigner les débris, inclinez légèrement la tête de coupe vers la droite. Si possible, balancez le taille-haie dans un mouvement de coupe de gauche à droite. Il y a une flèche en relief sur le dessus du carter de protection indiquant la direction de gauche à droite du taille-haie.
- Ne coupez pas des herbes humides ou mouillées.

**REMARQUE :** Une rupture du fil se produira :

- lorsque des matières étrangères se coincent dans la tête de coupe
- lorsque le fil devient usé
- si vous tentez de couper une végétation épaisse
- si la tête de coupe heurte des objets tels que des murs ou des poteaux de clôture

## **⚠️ AVERTISSEMENT:**

Pour éviter de graves blessures, arrêtez toujours le moteur et laissez-le refroidir avant de nettoyer ou de procéder à un entretien sur l'appareil. N'effectuez jamais de nettoyage ou d'entretien lorsque l'appareil est en marche. Débranchez le fil de la bougie pour éviter que l'appareil ne démarre accidentellement.

## **⚠️ AVERTISSEMENT:**

Portez des vêtements de protection et respectez toutes les consignes de sécurité pour éviter des blessures graves.

## **⚠️ AVERTISSEMENT:**

N'utilisez jamais de fils, chaînes ou câbles renforcés de métal. Ceux-ci pourraient se détacher et devenir des projectiles dangereux.

Utilisez le fil de coupe uniquement de la façon décrite dans les spécifications. L'utilisation d'autres types de fils de coupe pourraient provoquer une surchauffe ou une panne de l'unité.

### REEMPLACEMENT DE LA BOBINE

1. Poussez les languettes sur le côté du porte-bobine et tirez pour l'enlever. (Fig. 14).
2. Installez le ressort, la rondelle et la bobine rembobinée, en vous assurant que les fils sont capturés dans les fentes de maintien de la nouvelle bobine.

**REMARQUE :** Assurez-vous que les extrémités des fils s'étendent sur environ 152 mm (6 po).

3. Installez la nouvelle bobine de sorte que les extrémités des fils s'alignent avec les œillets dans la tête de coupe puis insérez extrémités des fils dans les œillets.
4. Tirez sur les fils sortant de la tête de coupe pour libérer les cordes des fentes de la bobine.
5. Installez le porte-bobine en appuyant sur les languettes dans les fentes et en poussant la bobine vers le bas jusqu'à ce que le porte-bobine s'enclenche. (Fig. 14).

### REEMPLACEMENT DU FIL DE COUPE (BOBINE A AVANCEMENT)

1. Retirez la bobine de la tête de coupe.
2. Retirez le fil usé de la bobine. Utilisez un chiffon propre pour nettoyer la surface de la tête de coupe.
3. Coupez une longueur de 15 pieds (4,5 m) du fil de coupe de 0,095 pouces (2,4 mm) de diamètre.
4. Pliez le fil au milieu et insérez le coude dans la fente de maintien de la bobine (schéma 15).
5. Enroulez le fil uniformément et fermement autour de la bobine (schéma 16).
6. Positionnez les fils dans les fentes de maintien de la bobine (schéma 14).
7. Installez la bobine dans la tête de coupe. Référez-vous au paragraphe "Remplacement de la bobine"

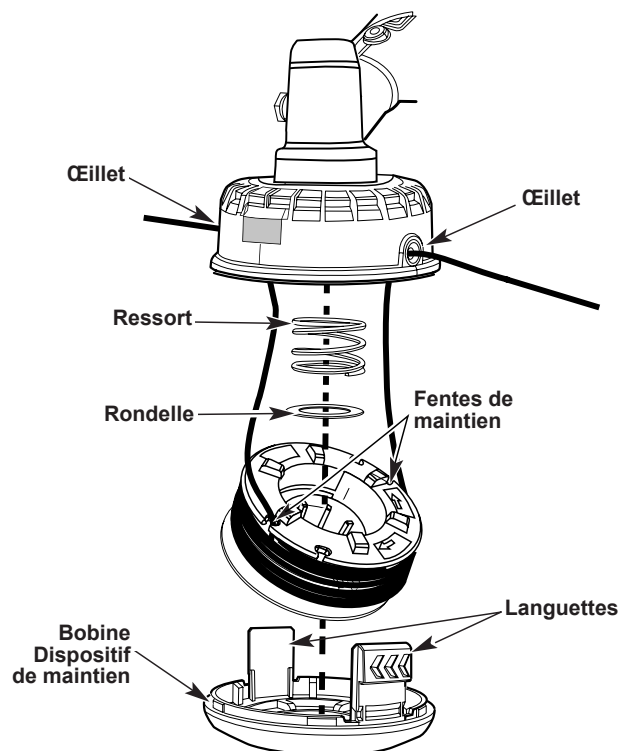


Fig. 14

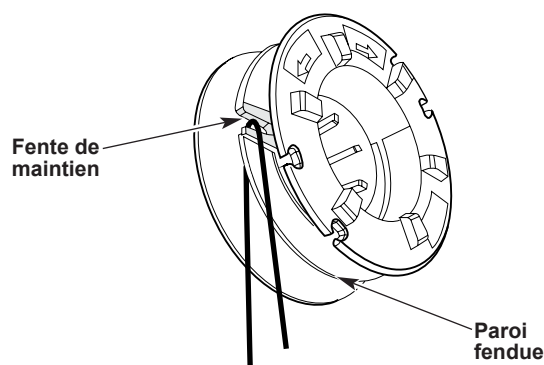


Fig. 15

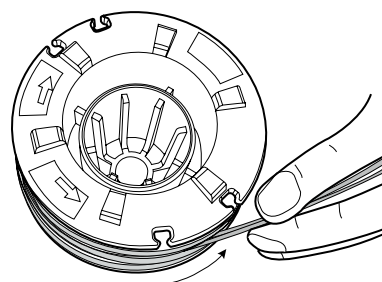


Fig. 16



## REPLACEMENT DU FIL DE COUPE (FIL FIXE)

Coupez un fil de 16,25 pouces de longueur et de 0,095 pouces (2,4 mm) de diamètre et insérez-le à travers la tête de coupe (schéma 17).

**REMARQUE:** Pour éviter les vibrations, assurez-vous que les fils soient de longueur égale quand ils ressortent de chaque côté de la tête de coupe.

**REMARQUE:** Plusieurs fils noirs en spirale d'une longueur de 16,25 pouces et 0,130 pouces (3,3 mm) de diamètre sont fournis avec ce taille-haie. Ce fil est conçu pour couper les mauvaises herbes plus grandes et les broussailles légères.

## CHANGEMENT DE LA TÊTE DE COUPE D'AVANCEMENT DU FIL À FIL FIXE

1. Insérez la clé Torx dans le trou de verrouillage situé en haut de la boîte de vitesses (schéma 18).
2. Appliquez une légère pression sur la clé tout en tournant la tête d'avancement du fil dans le sens des aiguilles d'une montre. À un moment donné, vous allez sentir la tête s'enclencher dans la clé lorsque l'extrémité de la clé se glisse dans l'encoche du collier.
3. Continuez à tourner la tête dans le sens des aiguilles d'une montre pour dévisser et retirer la tête de l'arbre.
4. Vissez la tête fixe dans le sens contraire des aiguilles d'une montre sur l'arbre jusqu'à ce qu'elle soit bien serrée (schéma 18a). Retirez la clé Torx du trou de verrouillage.
5. Pour réinstaller la tête d'avancement du fil, suivez les instructions précédentes dans l'ordre inverse.

## PROGRAMME D'ENTRETIEN

Effectuez ces procédures d'entretien requises selon la fréquence indiquée dans le tableau. Ces procédures devraient également faire partie de toute mise au point saisonnière.

**REMARQUE:** Certaines procédures d'entretien peuvent nécessiter des outils ou des compétences spécifiques. Si vous avez besoin d'une assistance supplémentaire, apportez l'appareil chez un revendeur qualifié.

**REMARQUE:** L'entretien, le remplacement ou la réparation des dispositifs et du système antipollution peuvent être effectués par un revendeur qualifié.

**REMARQUE:** Veuillez lire la déclaration de la Californie / EPA fournie avec l'unité pour obtenir une liste complète des termes et de la couverture des dispositifs de contrôle des émissions, tels que le pare-étincelles, le silencieux, le carburateur, etc.

FRÉQUENCE	ENTRETIEN REQUIS
Toutes les 10 heures	• Nettoyez et huilez à nouveau le filtre à air. Reportez-vous au paragraphe "Entretien du filtre à air"
Toutes les 20 heures	• Changez l'huile. Reportez-vous au paragraphe "Changement de l'huile".
Après les 10 premières heures puis après 38 heures	• Faites vérifier le dégagement du bras oscillant par un revendeur qualifié. • Vérifiez l'état et l'écartement de la bougie. Reportez-vous au paragraphe "Entretien de la bougie d'allumage".

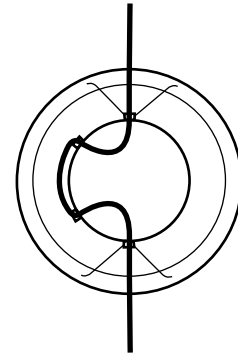


Fig. 17

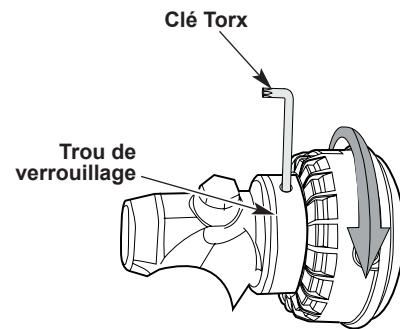


Fig. 18

## VERIFICATION DU NIVEAU D'HUILE

### ⚠ AVERTISSEMENT:

Vérifiez le niveau d'huile avant chaque utilisation. Il est très important de maintenir le bon niveau d'huile.

#### Vérifier le niveau d'huile

1. Arrêtez le moteur et laissez-le refroidir.
2. Placez l'appareil sur une surface plane et horizontale, telle qu'un établi ou une table. Le carter de la tête de coupe doit pendre sur le côté afin que le moteur reste nivelé (schéma 19).

**REMARQUE:** Si vous ne maintenez pas le moteur nivelé, cela pourrait entraîner une lecture incorrecte du niveau d'huile.

3. Dévissez le bouchon du réservoir d'huile. Le niveau d'huile doit être visible sur le premier filetage du réservoir d'huile (schéma 20). Si le niveau d'huile est trop bas, ajoutez de l'huile. Reportez-vous au paragraphe "Ajouter de l'huile".

#### Ajouter de l'huile

1. Nettoyez la zone autour du bouchon de remplissage d'huile (schéma 20) pour empêcher les débris de pénétrer dans l'orifice de remplissage d'huile.
2. Dévissez le bouchon du réservoir d'huile.
3. Ajoutez de l'huile dans l'orifice de remplissage d'huile jusqu'à ce que le niveau d'huile soit visible sur le premier filetage du réservoir d'huile (schéma 20).

### ⚠ AVERTISSEMENT:

NE remplissez PAS trop le réservoir d'huile. Un remplissage excessif entraînera une trop grande quantité d'huile dans le carter du moteur et pourrait générer de la fumée ou des émanations pouvant blesser l'utilisateur.



- Si le niveau d'huile est trop élevé, renversez l'appareil et vidangez l'excès d'huile dans un récipient approprié.
- 4. Essuyez toute huile qui pourrait avoir été renversée.
- 5. Assurez-vous que le joint torique est en place sur le bouchon du réservoir d'huile (schéma 21).
- 6. Remplacez le bouchon sur le réservoir d'huile.

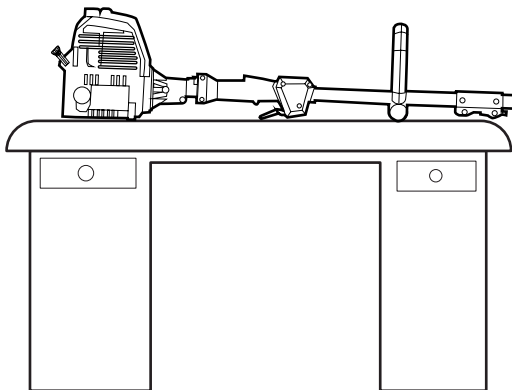


Fig. 19

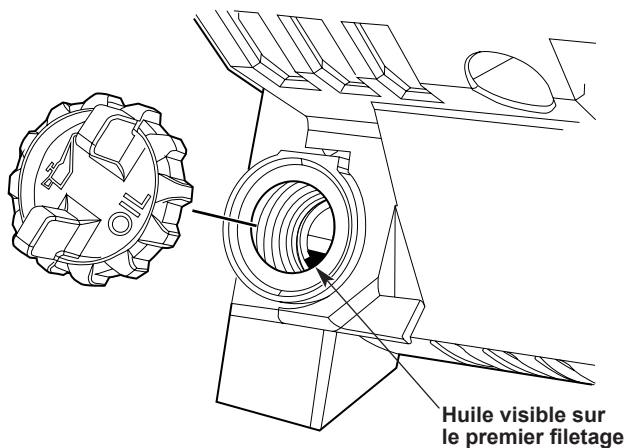


Fig. 20

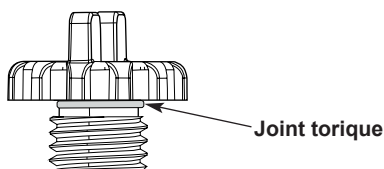


Fig. 21

## CHANGEMENT D'HUILE

### **AVERTISSEMENT:**

L'huile de moteur usée est considérée comme un déchet spécial et doit être éliminée conformément à la réglementation locale sur la protection de l'environnement. Ne jetez pas l'huile dans une poubelle, un égout, la terre, etc.

Changez l'huile lorsque le moteur est encore chaud. L'huile s'écoulera librement et emportera plus d'impuretés.

1. Nettoyez la zone autour du bouchon de remplissage d'huile (schéma 20) pour empêcher les débris de pénétrer dans l'orifice de remplissage d'huile.
2. Dévissez le bouchon du réservoir d'huile.
3. Inclinez l'appareil verticalement pour verser l'huile hors de l'orifice de remplissage d'huile dans un

récipient (schéma 22). Laissez suffisamment de temps pour tout vidanger.

- REMARQUE:** Jetez l'huile usée conformément aux réglementations fédérales, provinciales et locales.
4. Essuyez toute huile qui pourrait avoir été renversée.
  5. Versez 2,03 fl. oz. (60 ml) d'huile SAE 30 dans l'orifice de remplissage du réservoir.

### **AVERTISSEMENT:**

NE remplissez PAS trop le réservoir d'huile.

Un remplissage excessif entraînera une trop grande quantité d'huile dans le carter du moteur et pourrait générer de la fumée ou des émanations pouvant blesser l'utilisateur.

6. Essuyez toute huile qui pourrait avoir été renversée.
7. Assurez-vous que le joint torique est en place sur le bouchon du réservoir d'huile (schéma 21).

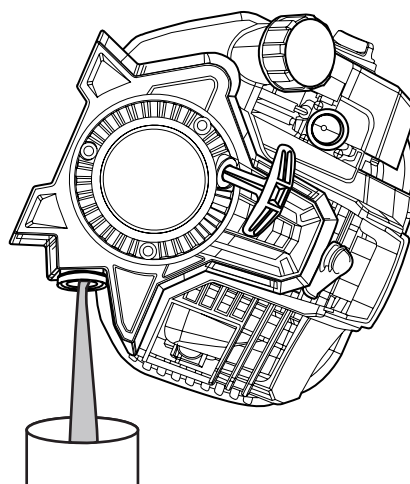


Fig. 22

## ENTRETIEN DU FILTRE À AIR

Si le filtre à air n'est pas entretenu, les performances peuvent être médiocres ou le moteur endommagé de manière permanente. La défaillance du moteur due à un mauvais entretien du filtre à air n'est pas couverte par la garantie du produit.

### Nettoyage du filtre à air

1. Refermez le couvercle du réservoir. Retirez le couvercle du filtre à air hors du boîtier du filtre (schéma 23).
2. Retirez le filtre à air hors du boîtier du filtre.
3. Lavez le filtre à air dans du détergent et de l'eau. Rincez soigneusement le filtre à air et laissez-le sécher.
4. Réinstallez le filtre à air dans son boîtier (schéma 23).

**REMARQUE:** L'utilisation de l'unité sans le filtre à air et le couvercle du filtre à air ANNULERA la garantie.

5. Insérez la languette du couvercle du filtre à air dans le trou du boîtier du filtre à air. Repoussez le couvercle du filtre à air sur le boîtier du filtre à air. Insérez la vis du couvercle dans le couvercle du filtre à air. Serrez la vis du couvercle pour fixer le couvercle du filtre à air (schéma 23).

**REMARQUE:** Ne serrez pas trop car cela pourrait dénuder la vis.

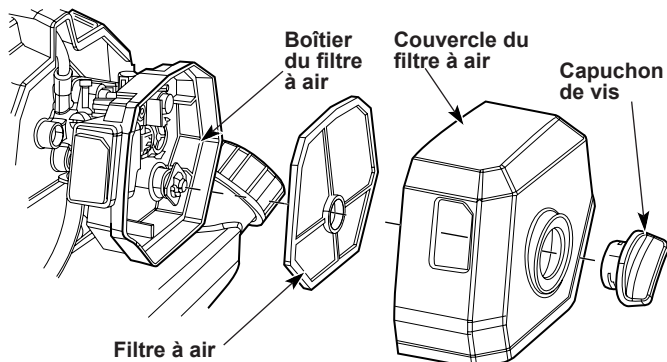


Fig. 23

## RÉGLAGE DE LA VITESSE AU RALENTI

### ⚠️ AVERTISSEMENT:

La tête de coupe bouge lors du réglage du ralenti. Portez un équipement de protection et éloignez tous les passants, les enfants et les animaux domestiques de plus de 15 mètres. Effectuez les réglages avec l'appareil soutenu d'une main afin que la tête de coupe ne touche pas le sol ni aucun objet. Gardez toutes les parties de votre corps éloignées de la tête de coupe et du silencieux. Si ces instructions ne sont pas respectées, cela pourrait entraîner des blessures graves.

Si le moteur ne tourne pas correctement au ralenti :

1. Démarrez le moteur. Reportez-vous au paragraphe "Démarrage et arrêt".
  2. Relâchez le levier d'accélération et laissez le moteur reprendre son régime de ralenti.
- Si le moteur s'arrête, augmentez la vitesse du ralenti. Utilisez un petit tournevis cruciforme pour faire tourner la vis de ralenti dans le sens des aiguilles d'une montre, 1/8 de tour à la fois, jusqu'à ce que le moteur tourne au ralenti (schéma 24).
  - Si la tête de coupe tourne lorsque le moteur tourne au ralenti, réduisez le régime du ralenti. Tournez la vis de ralenti dans le sens inverse des aiguilles d'une montre, 1/8 de tour à la fois, jusqu'à ce que la tête de coupe s'arrête de bouger (schéma 24).

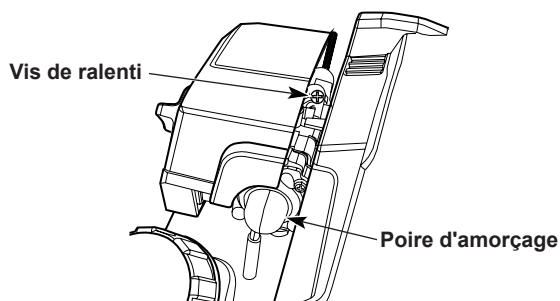


Fig. 24

### ⚠️ AVERTISSEMENT:

L'accessoire de coupe ne doit pas bouger lorsque l'appareil est en vitesse ralentie. Tournez la vis de vitesse de ralenti dans le sens inverse des aiguilles d'une montre pour réduire le régime du ralenti et arrêter l'accessoire de coupe, ou contactez le service

client pour effectuer les réglages et cesser l'utilisation jusqu'à ce que la réparation soit effectuée. Si l'outil de coupe tourne au ralenti, vous risquez de vous blesser gravement.

## ENTRETIEN DE LA BOUGIE D'ALLUMAGE

1. Arrêtez le moteur et laissez-le refroidir. Saisissez fermement le soufflet de la bougie et retirez-le de la culasse.
2. Nettoyez autour de la bougie. Retirez la bougie de la culasse avec une douille de 5/8 pouces, en la tournant dans le sens inverse des aiguilles d'une montre.

**REMARQUE:** Une clé à bougie 5/8-pouce est fournie avec ce taille-haie.

### ⚠️ ATTENTION:

Ne retirez pas la bougie quand le moteur est chaud.

### ⚠️ ATTENTION:

Ne sablez pas, ne grattez pas et ne nettoyez pas les électrodes des bougies. Les grains dans le moteur pourraient endommager le cylindre.

3. Inspectez la bougie d'allumage. Si la bougie est fissurée, encrassée ou sale, remplacez-la par une pièce de rechange #AM5RC ou une bougie de type équivalent.
4. Utilisez une jauge d'épaisseur pour régler l'entrefer à 0,025 pouce - 0,31 pouce (0,6 mm - 0,8 mm) (schéma 25).
5. Installez la bougie dans la culasse. Serrez la bougie avec une douille de 5/8 pouces, en la tournant dans le sens des aiguilles d'une montre jusqu'à ce qu'elle soit bien ajustée.

**REMARQUE :** Si vous utilisez une clé dynamométrique, serrez-la à : 18 N m (159 in. lb.). Ne la vissez pas trop.

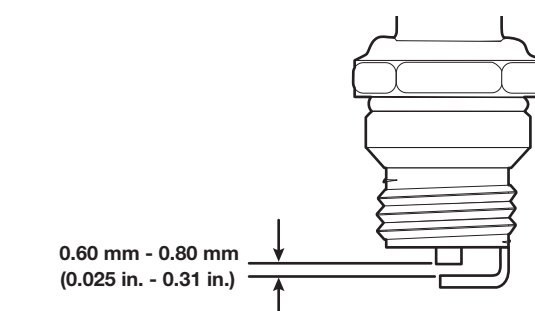


Fig. 25

## NETTOYAGE



### AVERTISSEMENT:

Pour éviter de graves blessures, arrêtez toujours le moteur et laissez-le refroidir avant de nettoyer ou de procéder à un entretien sur l'appareil.

Utilisez une petite brosse pour nettoyer l'extérieur de l'appareil. N'utilisez pas de détergents puissants. Les nettoyeurs ménagers contenant des huiles aromatiques comme le pin et le citron et les solvants tels que le kérosène peuvent endommager le plastique. Essuyez toute humidité avec un chiffon doux.

## ENTREPOSAGE

- Ne stockez jamais l'appareil s'il est encore alimenté en carburant dans un endroit où les vapeurs peuvent atteindre une flamme nue ou une étincelle.
- Laissez le moteur refroidir avant de ranger l'appareil.
- Verrouillez l'unité pour éviter toute utilisation non autorisée ou des dommages.
- Rangez l'appareil dans un endroit sec et bien ventilé.
- Rangez l'appareil hors de portée des enfants.

### Entreposage à court terme (1 à 2 semaines)

L'appareil doit toujours être rangé en position horizontale. Si ce n'est pas possible, rangez l'appareil verticalement avec le moteur en haut.

### Entreposage à long terme

1. Retirez le bouchon du réservoir, inclinez l'appareil et vidangez le carburant dans un récipient approuvé. Remettez le bouchon du réservoir d'essence.
2. Démarrez le moteur et laissez-le tourner jusqu'à ce qu'il cale. Cela garantit que tout le carburant a été vidé du carburateur.
3. Laissez le moteur refroidir. Retirez la bougie et versez 5 gouttes d'huile moteur de haute qualité dans le cylindre. Tirez lentement sur la corde du démarreur pour distribuer l'huile. Réinstallez la bougie.
4. Nettoyez soigneusement l'appareil et inspectez-le pour vous assurer qu'il ne contient pas de pièces desserrées ou endommagées. Réparez ou remplacez les pièces endommagées et resserrez les vis, écrous ou boulons desserrés.
5. L'appareil doit toujours être rangé en position horizontale. S'il n'est pas possible de le placer horizontalement, rangez l'appareil verticalement avec le moteur en haut.

### Préparation de l'appareil pour une utilisation après une longue période d'entreposage

1. Enlevez la bougie d'allumage. Inclinez l'appareil et vidangez toute l'huile du cylindre dans un récipient approuvé. Réinstallez la bougie.
2. Changez l'huile. Reportez-vous au paragraphe "Changement de l'huile".

**REMARQUE:** N'utilisez pas de carburant stocké depuis plus de 30 jours. Jetez le vieux carburant conformément aux réglementations fédérales, provinciales et locales.

## TRANSPORT

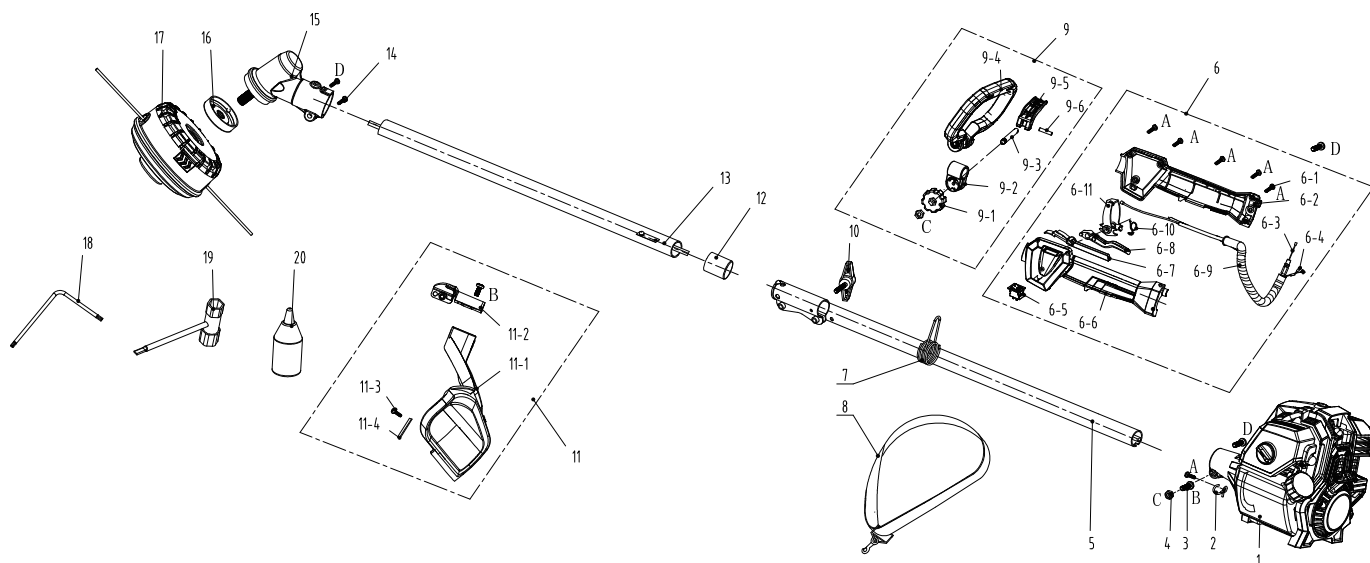
L'appareil doit toujours être transporté en position horizontale. Si ce n'est pas possible, transportez l'unité verticalement avec le moteur en haut. Sécurisez le manche du taille-haie pour éviter tout dommage pendant le transport.

## GUIDE DE DÉPANNAGE

PROBLÈME	SOLUTION
<b>LE MOTEUR NE DEMARRE PAS</b>	
Le réservoir de carburant est vide.	Fill the fuel tank with fresh fuel
La poire d'amorçage n'a pas été pressée suffisamment.	Appuyez 10 fois sur la poire d'amorçage.
Le carburant est vieux (plus de 30 jours)	Videz le réservoir de carburant et ajoutez du carburant frais.
La bougie est encrassée.	Remplacez la bougie.
<b>LE MOTEUR NE TOURNE PAS AU RALENTI</b>	
Le filtre à air est encrassé.	Lavez ou remplacez le filtre à air.
Le carburant est vieux (plus de 30 jours)	Videz le réservoir de carburant et ajoutez du carburant frais.
<b>LE MOTEUR N'ACCELERE PAS</b>	
Le carburant est vieux (plus de 30 jours)	Videz le réservoir de carburant et ajoutez du carburant frais.
La tête de coupe est obstruée d'herbes	Arrêtez le moteur et nettoyez la tête de coupe
Le filtre à air est encrassé.	Lavez ou remplacez le filtre à air.
<b>LE MOTEUR MANQUE DE PUISSANCE OU CALE</b>	
Le carburant est vieux (plus de 30 jours)	Videz le réservoir de carburant et ajoutez du carburant frais.
Le filtre à air est encrassé.	Lavez ou remplacez le filtre à air.
La bougie est encrassée.	Remplacez la bougie.

Si une assistance supplémentaire est requise, apportez l'appareil à un revendeur qualifié.

## DESCRIPTION DES PIÈCES



N°	Pièce #	Description	Qté
1	103001000297	Tête du moteur	1
2	201999001337	Tube fixe	1
3	207310100743	Vis	1
4	207320100013	Écrou hexagonal	2
5	199999001314	-	1
6	199004000604	Assemblage de la poignée	1
6-1	207310100263	Vis	6
6-2	202024002102	Manche à main	1
6-3	199081000107	Assemblage du câble	1
6-4	199999001152	Fil d'arrêt	1
6-5	207180200023	Interrupteur	1
6-6	202024002101	Manche à main	1
6-7	202042000207	Levier de conduite	1
6-8	202004000897	Gâchette	1
6-9	3030000003	Couvercle du fil	1
6-10	207019900345	Ressort de rappel	1
6-11	202999001491	Cercle de contrôle	1
7	201024000009	Bague de harnais	1
8	208008000051	Harnais	1
9	199004000605	Assemblage de la poignée	1
9-1	202028000109	Molette	1

N°	Pièce #	Description	Qté
9-2	202999001665	Poignée avant	1
9-3	201026000343	Manche	1
9-4	202024002114	Manche à main	1
9-5	202004000898	Gâchette	1
9-6	207199900105	Goupille de support central	1
10	202028000102	Molette	1
11	199048000132	Assemblage de l'écran du carter	1
11-1	202012000417	Carter	1
11-2	201057000219	Loquet	1
11-3	207310101121	Vis	1
11-4	201045000165	Lame	1
12	202023000077	Prise	1
13	199999001284	Assemblage du tuyau de connexion avant	1
14	207310100738	Vis	1
15	199999001283	Assemblage du boîtier de vitesse	1
16	201999001339	Plateau fixe	1
17	199023000066	Assemblage de la tête du coupe-bordures	1
18	208008000040	Clé	1
19	207179900014	Gâchette	1
20	202999001673	Cuve à huile	1

Pour obtenir des pièces de rechange, envoyez un e-mail à: [parts@SENIXtools.com](mailto:parts@SENIXtools.com).

# GARANTIE

## GARANTIE LIMITÉE À TROIS ANS

Garantie limitée de 3 ans sur tous les équipements à essence de la série Senix 4QL.

Ce produit Senix est garanti DURANT TROIS ANS à compter de la date d'achat d'origine, contre les défauts de matériaux ou de fabrication sur les outils. Le produit défectueux sera réparé gratuitement. \* Cette garantie ne couvre pas l'usure normale des pièces et des composants tels que la chaîne de coupe, la ligne ou les lames, et cette garantie ne couvre pas les frais de transport du produit pour la garantie ou l'entretien.

La garantie est sujette aux conditions suivantes :

- La garantie s'applique à l'acheteur original au détail et n'est pas transférable \*

Enregistrement de la garantie sur [www.senixtools.com](http://www.senixtools.com)

- L'outil n'a pas été utilisé incorrectement, abusé, négligé, altéré, modifié ou réparé par quiconque autre qu'un centre d'entretien autorisé.
  - Seuls les accessoires Senix authentiques ont été utilisés avec ou sur ce produit.
  - L'outil a été soumis à une usure normale
  - L'outil n'a pas été utilisé à des fins commerciales ou professionnelles
  - L'outil n'a pas été utilisé à des fins locatives
  - Cette garantie ne couvre que les défauts résultant d'une utilisation normale et ne couvre pas les dysfonctionnements, défaillances ou défauts résultant d'une utilisation incorrecte, d'un abus (surcharge du produit, exposition à l'eau ou à la pluie), d'une négligence ou d'un défaut d'installation, d'entretien ou de stockage.
- Pour localiser votre fournisseur de services Senix le plus proche, appelez gratuitement le 800-261-3981 ou envoyez-nous un e-mail sur [service@senixtools.com](mailto:service@senixtools.com).

### Limitations supplémentaires

Toute garantie implicite accordée en vertu de la loi de l'État, y compris les garanties de qualité marchande ou d'adéquation à un usage particulier, est limitée à trois ans à compter de la date d'achat des outils électriques et des chargeurs et à sept ans à compter de la date d'achat des batteries. Le fabricant n'est pas responsable des dommages directs, indirects, accessoires ou consécutifs. Certains états et provinces n'autorisent pas les limitations sur la durée d'une garantie implicite et / ou n'autorisent pas l'exclusion ou la limitation des dommages accessoires, et dans ce cas, les restrictions décrites précédemment ne s'appliquent pas. Cette garantie vous donne des droits légaux spécifiques, et vous pouvez également avoir d'autres droits qui varient d'un état à l'autre ou d'une province à l'autre.

YAT USA décline toute responsabilité en matière de responsabilité civile résultant d'une utilisation abusive ou non conforme à une utilisation et une maintenance correctes de la machine telles que décrites dans le manuel d'instructions.

YAT USA n'est pas responsable des dommages directs, indirects, accessoires ou consécutifs.

Après l'achat, le fabricant recommande un entretien approprié de la machine et de lire le manuel d'instructions avant d'utiliser la machine.

\* Un reçu d'achat original peut être exigé comme preuve d'achat.

Pour le service à la clientèle, contactez-nous gratuitement au 1-800-261-3981 ou sur [Senixtools.com](http://Senixtools.com).

YAT USA, Inc. 9048 E Bahia Dr, suite 105, Scottsdale, AZ 85260





