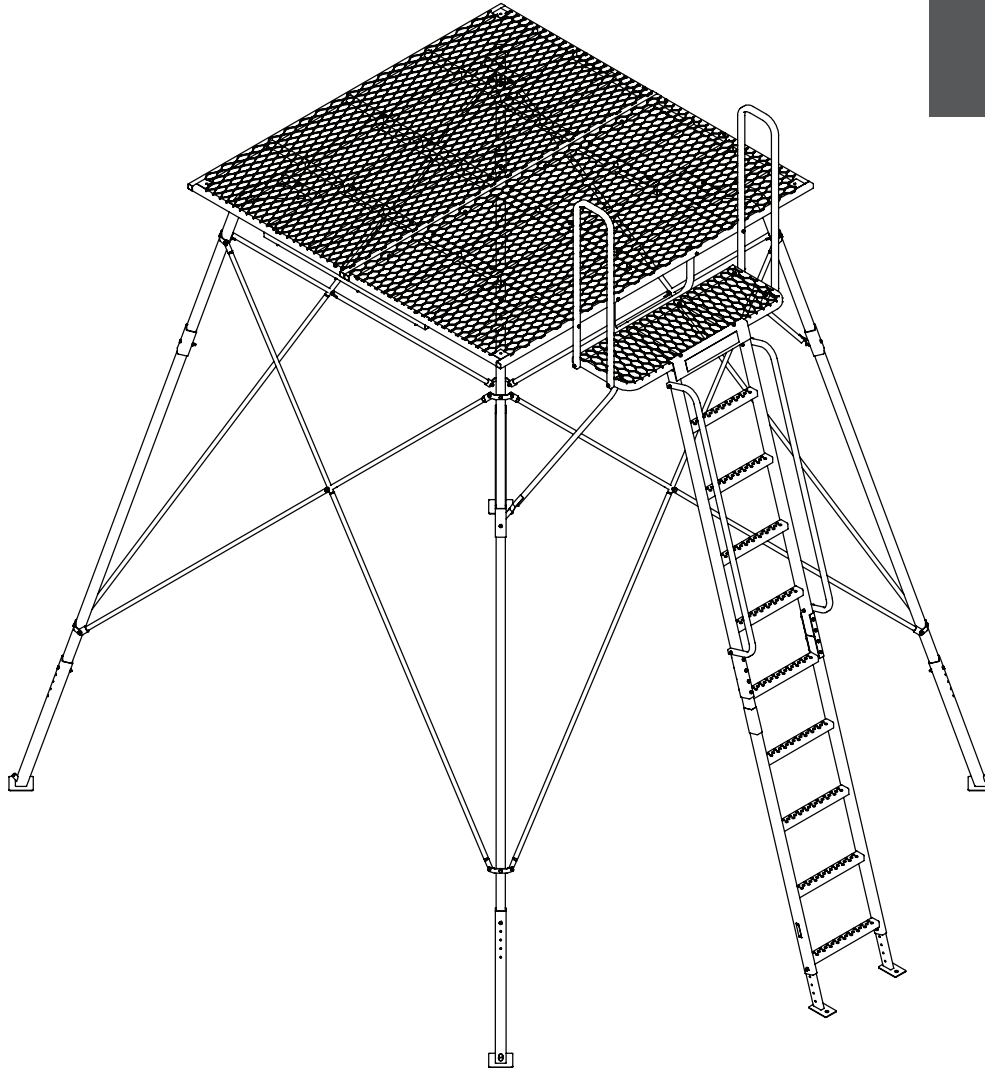


LANDMARK™
 PERMANENT BLINDS
 RIVERS EDGE

Operator's Manual

LANDMARK™
10' 600 TOWER

MODEL LM623



Maximum Height

12' 1" to Rail
 10' 0" to Platform

Maximum Field Rating

800 lbs
 (300 lbs per person max)



ATTENTION

YOU MUST READ ALL WRITTEN INSTRUCTIONS AND WATCH THIS SAFETY VIDEO BEFORE USING!



WATCH THIS SAFETY VIDEO BEFORE USING!

Scan →



or Visit →

www.standsafety.com/r5

Scan the QR code with your smart phone, tablet or similar device.

OR

Type the website address into your web browser to view an important safety video before using this product.

TRIPOD STAND SAFETY

PRODUCT MEETS
 INDUSTRY STANDARDS
 RECOGNIZED BY



Get parts online at
www.HuntRiversEdge.com

© 2022 RETI
 All Rights Reserved

P/N: 40575
 C/N: 40567
 REV3: 02/22/22



INTRODUCTION

We appreciate your purchase of one of our world class products. Follow these few simple instructions and this product will provide you many years of trouble-free pleasure. Instructions should be kept in a safe place and reviewed at least annually.

If for any reason you have a problem with your product, **DO NOT return to the retailer**, contact the Rivers Edge® customer service department at 800-345-6007 for assistance.

CONTENTS

Introduction/Warranty	2
Warnings.....	3-4
Warnings/Inspection and Maintenance Schedule	5
Hardware Identification Chart	6-7
Assembly Instructions	8-16
Illustrated Parts Breakdown.....	17-19
Finished Tower.....	20
Parts List.....	21
Notes.....	22-23

WARRANTY

RETI offers a one year warranty for all components of the treestand. These warranties apply to the original owner with a proof of purchase. These warranties begin on the date of purchase by the first retail consumer and continue for the period specified above. These warranties apply to products that are not modified, abused or used in a manner that deviates from the product's intended usage. Minor fading in color is normal and is not covered by warranty. Any corrosion of painted surfaces that occurs as a result of paint being removed or damaged is also not covered by warranty. RETI offers no other warranty service expressed or implied. Products for which warranty work has been approved must be sent directly to RETI and performed by RETI. **To obtain warranty service and/or replacement instructions, you must obtain prior approval from RETI before shipping your package to us by calling our customer service department at 800-345-6007 or by writing to: Ardisam, Inc., P.O. Box 755, 1730 Industrial Avenue, Cumberland, WI 54829 for a return material authorization number (RMA#).** All items must be shipped prepaid. RETI will, at no charge, repair or replace, in RETI's sole discretion, any product that satisfies the conditions stated above. RETI retains the right to change models, specifications and price without notice.

This equipment has been manufactured under strict quality and safety guidelines. As with any equipment of this type, full understanding of the instructions and its use is mandatory and imperative for the safety of its user. RETI is not responsible for any damages or injuries sustained due to improper use or modification of any of its products, or resulting from any use which deviates from the product's intended usage. RETI is not responsible for any injuries sustained due to failure to read and adhere to the instructions for use. Any misunderstanding or questions regarding the products of their use should be directed to RETI prior to any use. It is the owner's sole responsibility to inspect the product regularly for damage, improper installation, or conditions that could jeopardize the ultimate safety of the product. **Owner is responsible to understand and follow product field weight rating and must never exceed maximum weight rating.** RETI is not responsible for any malfunction or injury resulting from normal wear and tear, damage caused by improper use, improper maintenance, negligence or accidents. This product, if used safely as intended, will provide trouble free service for the useful life of the product. We hope you will enjoy the quality of our products for years to come, and have a safe hunt.

If you choose to attach a blind type structure on this product, only use RETI original designed structures to do so.*Using man-made structures or structures not manufactured by RETI will void your warranty and waive any and all claims for liability against the manufacturer RETI.



STOP

READ AND UNDERSTAND THE FOLLOWING WARNINGS BEFORE ASSEMBLY

MODEL LM623

MAXIMUM USE HEIGHT - 12' 1" TO RAIL

TOTAL WEIGHT LIMIT - 800 LB (300 LB PER PERSON MAX)

! WARNING

- ▲ This product carries strict height and weight restrictions. **Do Not** use this product if you exceed the total weight limit. Please note that the total weight limit includes the user(s) and their equipment.

! WARNING

- ▲ **When using a tripod or tower stand the risk of a fall can occur anytime after leaving the ground. Falling from a tripod or tower stand can result in serious injury or death.**
- ▲ **Read and understand** all of the manufacturer's Warnings and Instructions and use all safety devices provided by the manufacturer. Contact the manufacturer for any questions. Failure to do so could result in injury or death.
- ▲ **Never** exceed the total weight limit of the treestand, tripod or tower.
- ▲ **Never** use a treestand, tripod or tower during inclement weather such as rain, lightning, windstorms or icy conditions and end your hunt and return to the ground if inclement conditions arise.
- ▲ **Never** use a treestand, tripod or tower while using drugs (even prescription drugs) or alcohol.
- ▲ **Never** use a treestand, tripod or tower while feeling ill, nauseous or dizzy, or if you have a prior medical condition that could cause a problem, that is, heart condition, joints that lock-up, spinal fusions, etc., or if you are not well rested. **Never** sleep in stand.
- ▲ **Never** rely on a tree branch for support.
- ▲ **Never** jump or bounce on a treestand, tripod or tower to seat it to the tree or ground.
- ▲ Pull up a bow, backpack, or firearm or other equipment only after being secure in the treestand, tripod or tower and a firearm must be pulled up with it unloaded, chamber open, and muzzle down.
- ▲ **Always** inform someone of the hunting location, where the treestand, tripod or tower will be located and the expected duration of the hunt.

! WARNING

- ▲ A signal device such as a mobile phone, radio, whistle, signal flare or personal locator device (PLD) must be on your person and readily available at all times.
- ▲ **Never** leave a tripod or tower out in the elements for more than two weeks since weather or animals could cause damage.
- ▲ Inspect the treestand, tripod or tower and all safety devices each time before use and **Do Not** store a treestand or free standing platform stand outdoors.
- ▲ **Never** modify your treestand, tripod or tower in any way by making repairs, replacing parts, or altering it except if explicitly authorized in writing by the manufacturer.
- ▲ Practice installing, adjusting and using your treestand, tripod or tower at ground level prior to using it at elevated positions. Study your new stand to become familiar with all of its features and design. Doing so will confirm that the product is manufactured, assembled and installed correctly.
- ▲ Instructions (written and video) shall be kept in a safe place and reviewed at least annually. It is the responsibility of the treestand, tripod or tower owner to furnish the complete instructions to any person who borrows or purchases the treestand, tripod or tower.
- ▲ When installing, taking down or moving a tripod or tower stand you must strictly follow the manufacturer's instructions to determine the appropriate number of people required to perform these tasks.
- ▲ **Always** use at least four (4) people to install or take down a tripod or tower.
- ▲ A fall arrest system/full body harness (FAS/FBH) that meets industry standards for treestands is not included with tripods and tower stands. FAS/FBH designed for treestands require that the tether be anchored/attached to the tree. Never attach a FAS/FBH to a tripod or tower stand or any part of its structure as this could lead to an unsafe condition. Failure to follow this warning could result in serious injury or death!
- ▲ Prior to setting up your tripod or tower stand inspect the ground surface area. The ground must be firm, level and free of any debris. Soft or sloping ground and debris can cause the platform to become unstable and lead to unsafe conditions such as tilting, shifting or tipping. Never attempt to climb a tripod or tower stand that is leaning, unstable or slanted.



STOP

READ AND UNDERSTAND THE FOLLOWING WARNINGS BEFORE SETUP AND USE

WARNING

- ▲ Never erect a tripod or tower stand near overhead electrical power lines and/or buried utilities that can cause electrocution, explosion and/or fire. You must always contact appropriate authorities prior to installing any structure on or near right of ways or underground utilities.
- ▲ Check every ladder section connection every time you use the stand before you leave the ground. If ladder sections are separating, do not use the stand.
- ▲ For towers and tripods designed for two or more people, never allow more than one person at a time to ascend or descend the ladder. Be certain first person is fully off the ladder/entry platform and positioned safely on tower platform or ground before second person ascends or descends ladder.
- ▲ Always maintain three (3) points of contact when climbing a tripod or tower stand. Proper three-point contact means having either two feet with one hand or one foot with two hands on the step portion of the ladder at all times. Never lean backward when climbing as this could cause the tripod or tower stand to become unstable.
- ▲ Tripod and tower stands must be properly secured and/or anchored to the ground according to manufacturer's instructions. Avoid using tripod and tower stands during windy conditions which could cause the free standing platform to tip over and result in damage to equipment and also serious injury or death to the users.
- ▲ Inspect tripod and tower stands before each use. Leaving equipment exposed to rain, sunlight, changing temperatures, snow and extreme weather conditions for extended periods of time can cause dangerous conditions not visible to the naked eye. Do not attempt to use any product if damage is detected or suspected. For your personal safety and also the safety of others, the product should be removed from service immediately.
- ▲ **Never** exceed the stated maximum use height.

WARNING

- ▲ **Do Not** use this product until you have watched the safety video, understand it, and practiced the techniques for safe hunting discussed in this video. The video can be found with the QR code and/or URL shown on front cover of this manual.
- ▲ Read and perform all inspection and maintenance tasks before each and every use. Replace any questionable components immediately with RETI original replacement parts.
- ▲ **Do Not** crush tubing when tightening bolt assemblies! Identify and familiarize yourself with all parts before you start. Bolt identification chart can be found in the back.
- ▲ Double check assembly steps to be certain you have correctly assembled this product.
- ▲ **Never** use any product that has not been maintained or inspected properly - Your life depends on it!
- ▲ Do not position this product on a slope, unlevel, or wet ground. It may tip over and serious injury or death may occur.
- ▲ Ground must be free of rocks and debris so stakes can be driven into ground through holes provided in foot pads. This will help prevent tower from tipping over in strong winds.
- ▲ Contacting buried utilities may result in serious injury or death! Before digging always call 811 or you local One-Call system to prevent person injury, interruption of service, environmental accidents or project delays.
- ▲ Heavy product, **Always** use at least four (4) people to install or take down a tripod or tower. **Do Not** let someone with a history of back problems help.

WARNING

- ▲ **Only** use approved RETI parts. Failure to do so may result in serious injury or death!



WARNING

- ▲ Be sure only one person ascends or descends ladder at a time. Be certain first person is fully off of the ladder and positioned safely on tower platform or ground before second person ascends or descends ladder.
- ▲ **Never** have two people on one side of the platform. Keep weight evenly distributed on platform.
- ▲ **Always** be aware of the other person's position. Use extreme caution when weapons are used to prevent personal injury.
- ▲ **Always** lean forward as you climb ladder or climbing aid.
- ▲ **Always** wear the appropriate footwear when using a free standing platform stand. A good non-slip safety boot is important to your personal safety. Be especially careful that boot laces do not get hooked on the stand or any of its components (tuck shoelaces into boots before climbing).



WARNING

- ▲ Double check assembly steps to be certain you have correctly assembled this product.
- ▲ Study your new stand to become familiar with all of its features and design. Save these instructions for future reference.
- ▲ **Be Sure** assembly area is open, flat, level, and dry with no power lines near!
- ▲ **Always** use at least four (4) people to install or take down a tripod or tower.
- ▲ **Do Not** use any type of motorized vehicle to upright/assemble this free standing platform stand. You could cause unnecessary damage to this product. Upright by hand only using four (4) people.
- ▲ Some models include a shooting rail. **Never** lean against, lean over, or sit on shooting rail. It is designed as a shooting rest only. On models that have a non-fixed shooting rail, be sure shooting rail is flipped back or swung to the side when ascending or descending ladder.

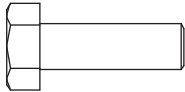
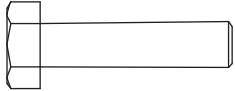
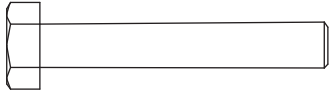


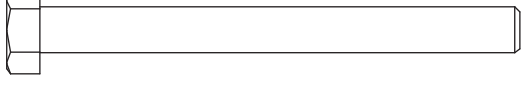



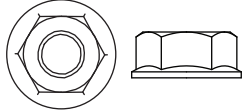
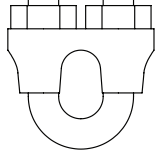
INSPECTION AND MAINTENANCE

BEFORE EACH USE PERFORM THE FOLLOWING:

- Inspect all webbing, rope, cord, and strap assemblies for wear or damage.
- Inspect cables and/or cable ends for damage or kinking.
- Inspect all hardware and chain components for damage.
- Inspect for any structural damage to product. (If any exists call customer service.)
- Inspect all nut and bolt assemblies to be certain none are loose.
- Inspect for any missing parts.
- Lubricate all pivot and slide together points with powder graphite, petroleum jelly or silicone spray to prevent noise, wear and rust.
- Inspect entire product for any rust, corrosion, cracks, freezing, excessive heat or rotting damage that may effect the safety of your product. Discard any questionable product.
- Inspect entire product for any structural damage - pay close attention to all weld locations. (Return to factory for repair or discard product if any damage is found.)
- Using correct wrenches inspect all nut & bolt assembly locations and snug up any that may be loose. Be careful not to crush tubing when tightening!
- Inspect and check operation of all cables, cable ends, cord, rope, webbing, and strap or chain assemblies. Replace with factory new any item or assembly that shows signs of wear, damage, kinking, or functions incorrectly.
- Inspect seat. Replace any seat with factory new that shows signs of structural damage or wear.
- Inspect all hardware for wear or damage, also be sure you have no missing parts.
- Never modify your stand in any way by making repairs, replacing parts, or altering adding or attaching anything to it except if explicitly authorized in writing by the manufacturer.

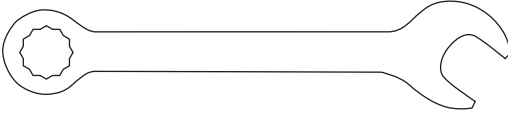
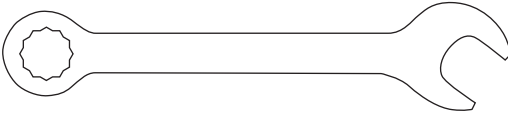
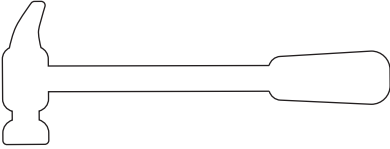


HARDWARE LIST

Item	Part No.	Description	Image	Qty
21	8930B	BOLT 1/4 X 3/4 IN		16
32	63282	BOLT 1/4 X 1 IN		4
22	48240B	BOLT 1/4 X 1-1/2 IN		2
23	48153B	BOLT 1/4 X 2 IN		10
24	48271B	BOLT 1/4 X 2-1/4 IN		16
25	48270B	BOLT 1/4 X 2-1/2 IN		28
26	67540B	BOLT 1/4 X 2-3/4 IN		8
27	48280B	BOLT 1/4 X 3 IN		16
28	48261B	WASHER 1/4 IN		12
29	48752B	NUT 1/4 IN		100
31	48650	1/8 IN CABLE CLAMP		4



TOOLS REQUIRED

-	32563	7/16 IN WRENCHES		2
-	-	5/16 IN WRENCH		1
-	-	HAMMER		1



ASSEMBLY INSTRUCTIONS

IMPORTANT ASSEMBLY TIP:

Do not tighten any nut and bolt combinations completely until instructions indicate to. Finger tighten plus one turn of a wrench only! This will temporarily hold the lock-nut on the bolt while helping alignment of all parts!

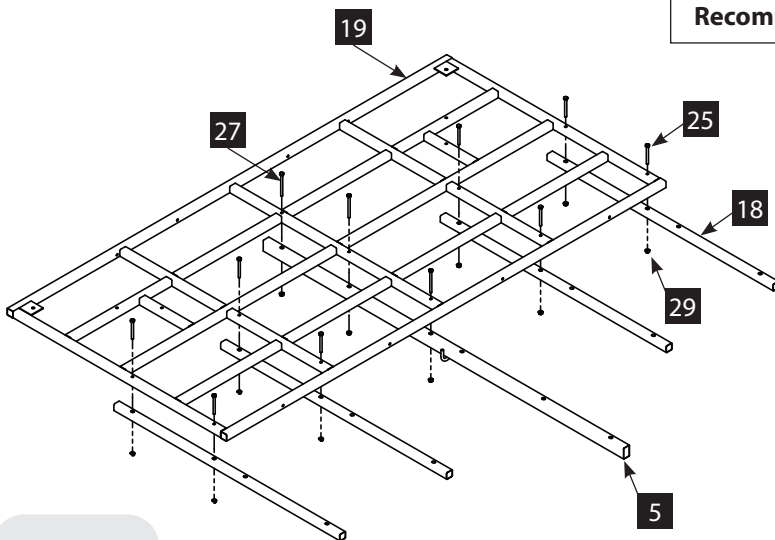
All assembly must be done completely in this order before use.

Measure out assembly/intended use location, assembled footprint of product is 10' x 12'. Allow additional room for assembly.

Do not remove labels/warnings from product, they are there for your safety.

Recommended for adult use only.

STEP 1



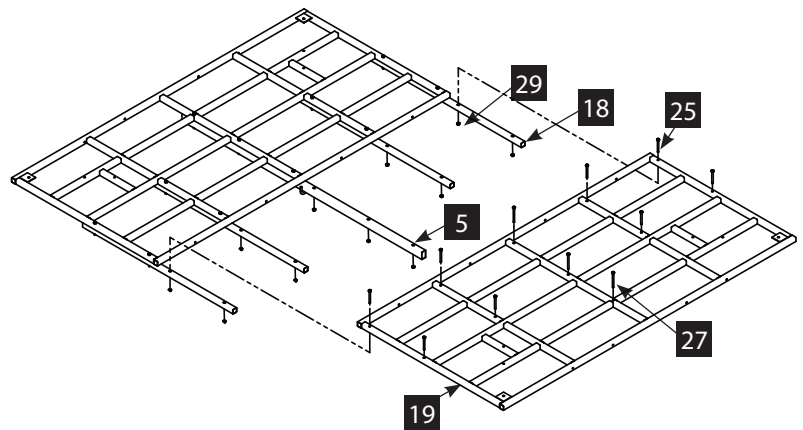
mesh hidden for clarity

1. Attach the four short platform braces (18) to one of the platform sections (19) using two 1/4-20 X 2-1/2 IN bolts (25) and 1/4-20 nuts (29) for each brace.

Attach the long center platform brace (5) to the platform section (19) using three 1/4-20 X 3 IN bolts (27) and 1/4-20 nuts (29).

2. Attach the remaining platform section (19) to the four short platform braces (18) using two 1/4-20 X 2-1/2 IN bolts (25) and 1/4-20 nuts (29) for each brace.

Attach the platform section (19) to the long center platform brace (5) using three 1/4-20 X 3 IN bolts (27) and 1/4-20 nuts (29).

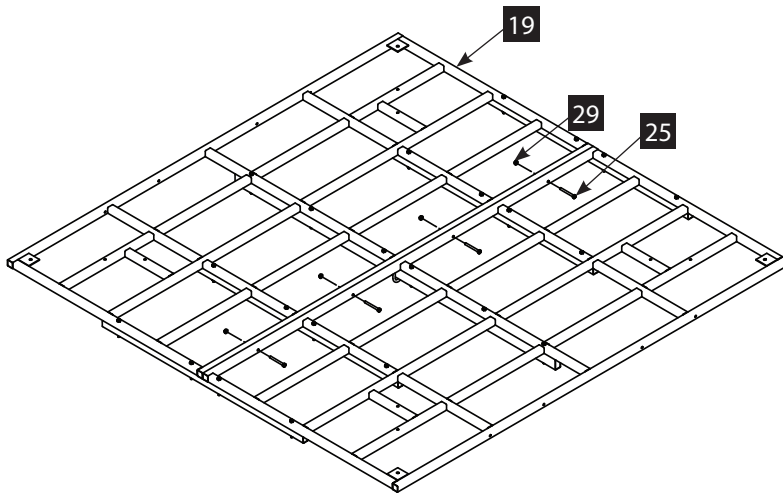


mesh hidden for clarity

STEP 2



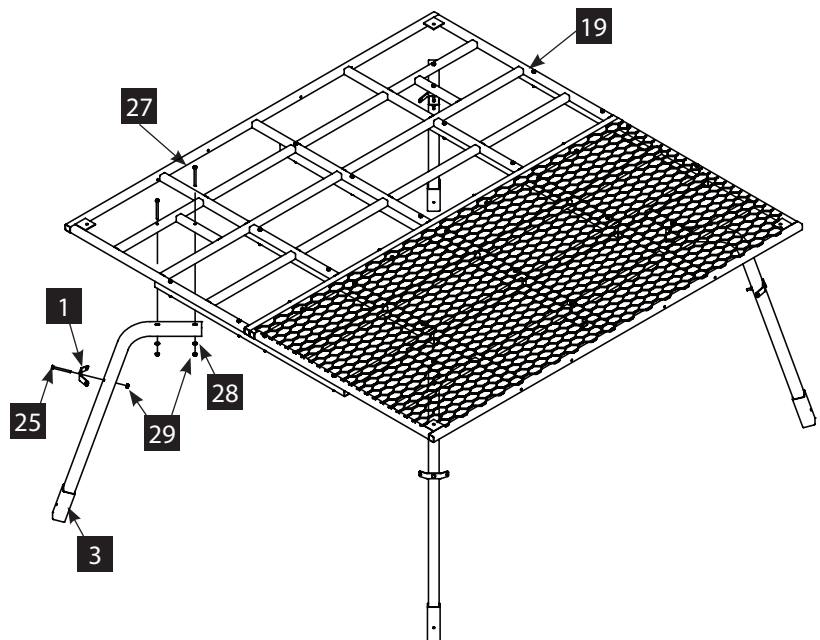
STEP 3



- Secure the two platforms (19) together using four 1/4-20 X 2-1/2 IN bolts (25) and 1/4-20 nuts (29).

*mesh hidden
for clarity*

- Attach the four leg-to-platform attachment parts (3) to the assembled platform using two 1/4-20 X 3 IN bolts (27), two 1/4 IN steel washers (28) and 1/4-20 nuts (29) for each part. Then attach four brace-to-leg attachment brackets (1) to leg-to-platform attachment parts (3) using four 1/4-20 X 2-1/2 IN bolts (25) and 1/4-20 nuts (29) for each part.

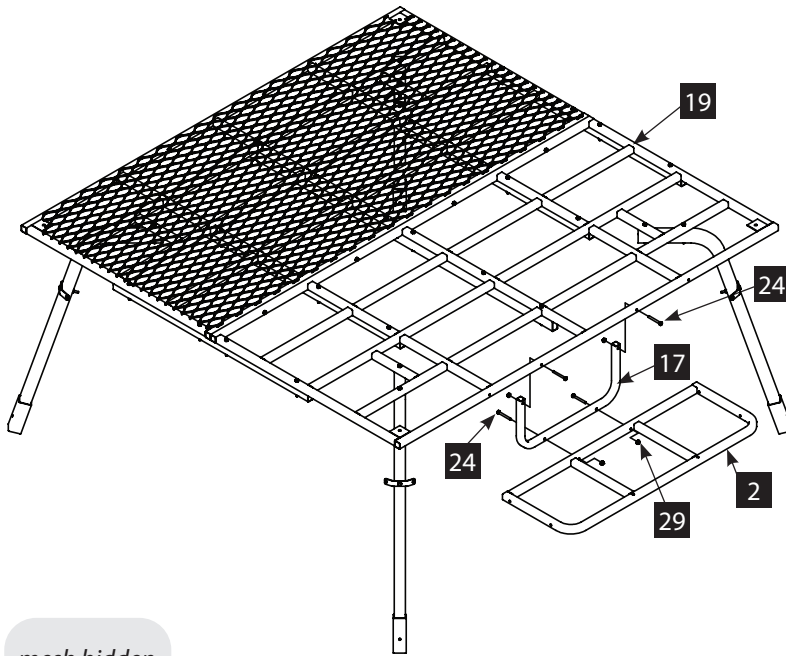


STEP 4

*mesh hidden
for clarity*



STEP 5

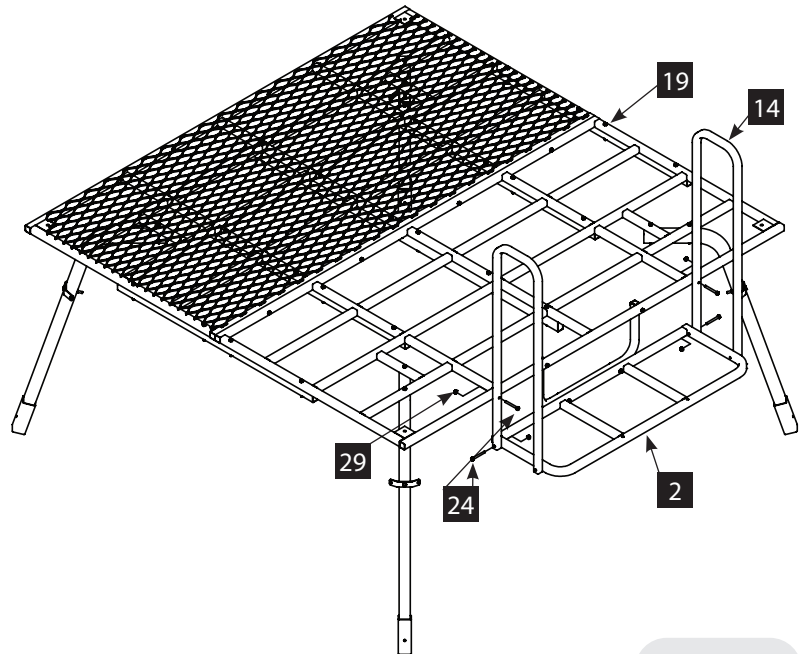


*mesh hidden
for clarity*

5. Attach the entry platform brace (17) to one of the platform sections (19) using two 1/4-20 X 2-1/4 IN bolts (24) and 1/4-20 nuts (29).

Attach the entry platform (2) to the entry platform brace (17) using two 1/4-20 X 2-1/4 IN bolts (24) and 1/4-20 nuts (29).

6. Attach the two entry platform hand rails (14) to the entry platform (2) and platform section (19) using four 1/4-20 X 2-1/4 IN bolts (24) and 1/4-20 nuts (29).

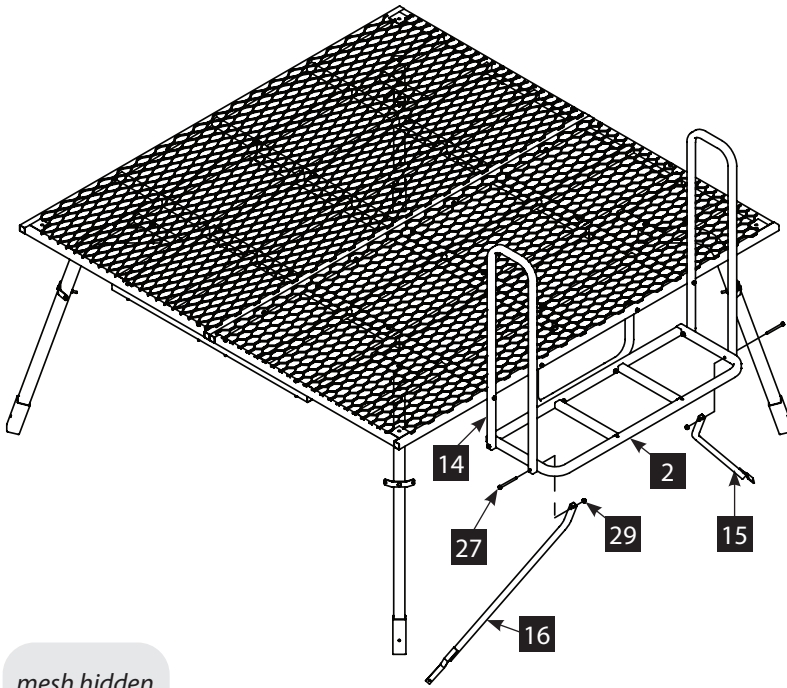


*mesh hidden
for clarity*

STEP 6



STEP 7

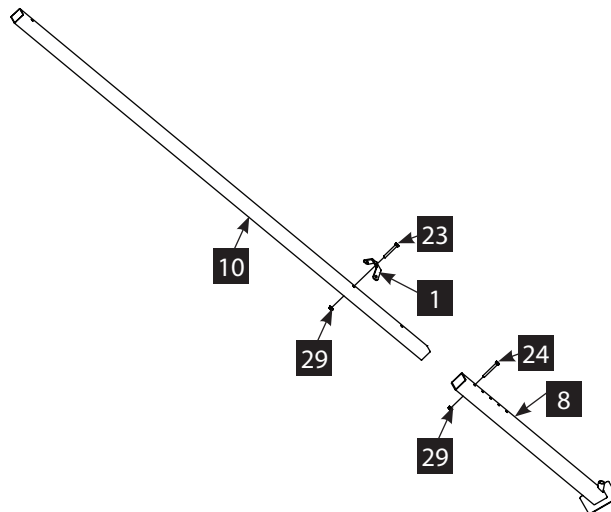


mesh hidden
for clarity

- Attach the right and left entry platform braces (15, 16) to the entry platform (2) and entry platform hand rails (14) using two 1/4-20 X 3 IN bolts (27) and 1/4-20 nuts (29).
Securely tighten all loose hardware at this time.

- Assemble each of the four legs by attaching an adjustable foot (8) to a leg (10) using a 1/4-20 X 2-1/4 IN bolt (24) and 1/4-20 nut (29). It is easiest to adjust the tower level later if you use the top adjustment hole now as shown.

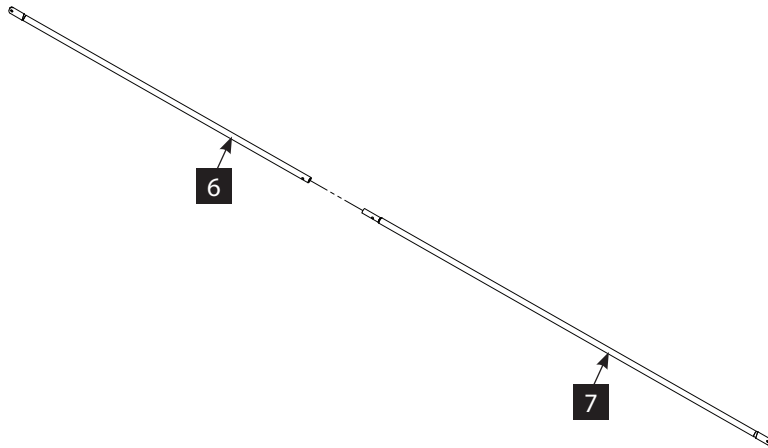
Attach a brace-to-leg attachment bracket (1) to each leg (10) using a 1/4-20 X 2 IN bolt (23) and 1/4-20 nut (29).
Securely tighten all loose hardware at this time.



STEP 8

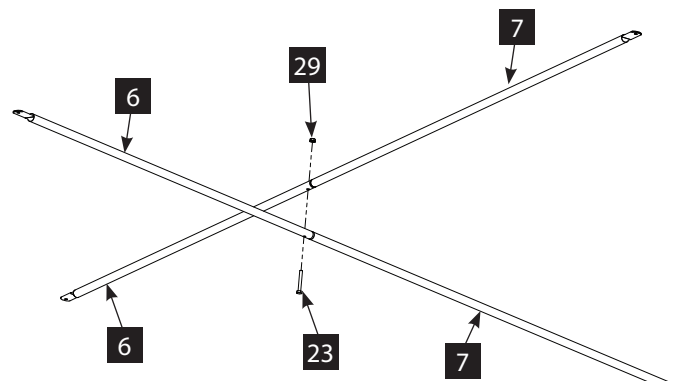


STEP 9



9. Start assembly of the cross braces by inserting a male cross brace (7) into each female cross brace (6).

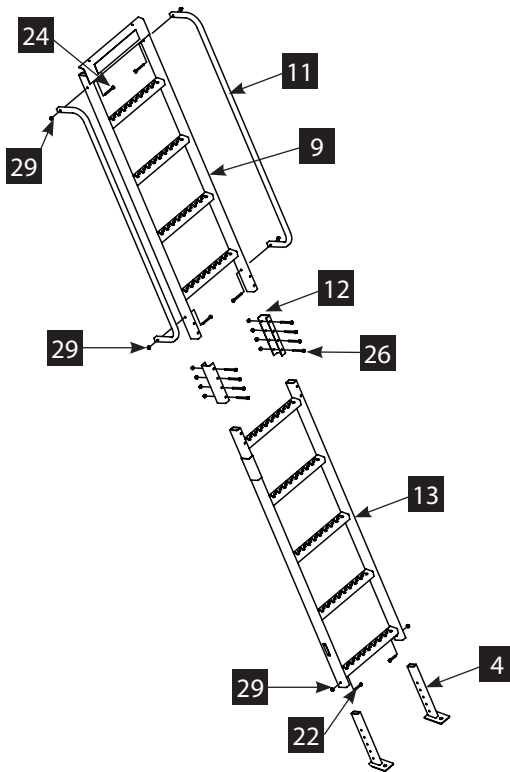
10. Complete assembly of the cross braces by attaching two cross brace assemblies together using a 1/4-20 X 2 IN bolt (23) and 1/4-20 nut (29) to make four separate cross brace assemblies.
Securely tighten all loose hardware at this time.



STEP 10



STEP 11



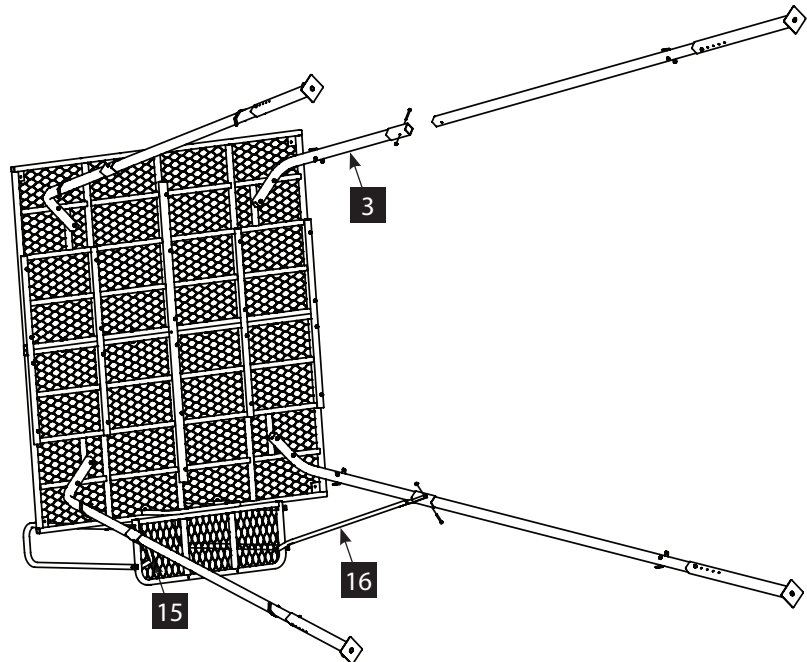
11. Attach the top ladder (9), bottom ladder (13) and ladder connector brackets (12) together using eight 1/4-20 X 2-3/4 IN bolts (26) and 1/4-20 nuts (29). **SEE FIGURE 11.**

Attach two ladder feet (4) by sliding inside bottom ladder (13) and secure using two 1/4-20 X 1-1/2 IN (22) bolts and 1/4-20 nuts (29). It is easiest to adjust the ladder level later if you use the top adjustment hole now as shown.

Attach two hand rails (11) to ladder assembly using four 1/4-20 X 2-1/4 IN bolts (24) and 1/4-20 nuts (29).

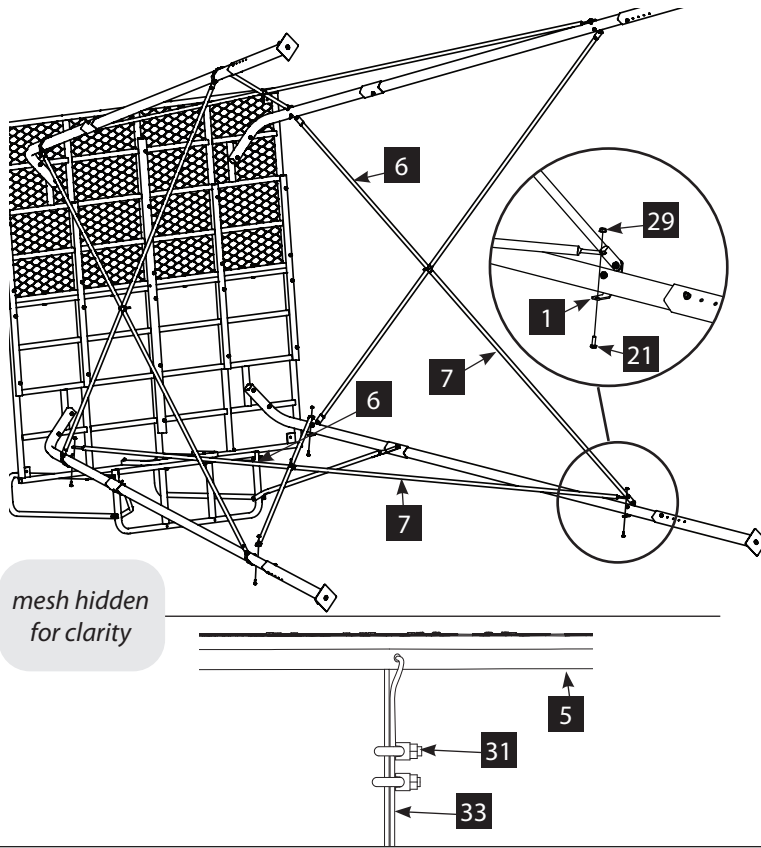
Securely tighten all loose hardware at this time.

12. Tip the platform on edge as shown and insert the four leg assemblies into the leg-to-platform attachment parts (3). Pay attention to the orientation of the leg so that the foot plate is angled correctly to sit flat on the ground. For the two lower legs, the right and left entry platform braces (15,16) must be attached to the bolts in this step.



STEP 12

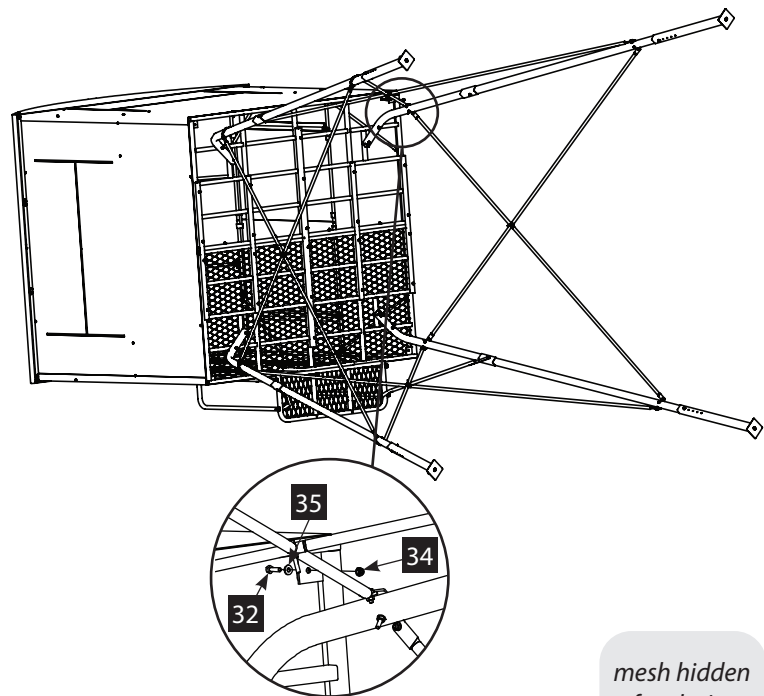
STEP 13



13. While paying attention to the orientation of the cross braces, attach the cross brace assemblies to the inside of the brace-to-leg attachment brackets (1) using a 1/4-20 X 3/4 IN bolt (21) and 1/4-20 nut (29) on each end. The female cross braces (6) should be closer to the platform side of the tower as shown. *Securely tighten all loose hardware at this time.*

Attach one end of the cable (33) to the loop in the center platform brace (5) using two cable clamps (31).

14. While the tower is on its side, it is now time to attach the Landmark™ 600 Blind (***sold separately***) to the tower. With the help of two other people, carefully tip the blind onto the door side and position it in place on the platform. While two people hold it in place, the third person should bolt the blind and tower together by reaching under the wall panels of the blind and using a 1/4-20 X 1 IN bolt (32), 1/4 IN steel washer (35) and 1/4-20 nut (34) in each corner. *Securely tighten all loose hardware at this time.*



STEP 14



STEP 15

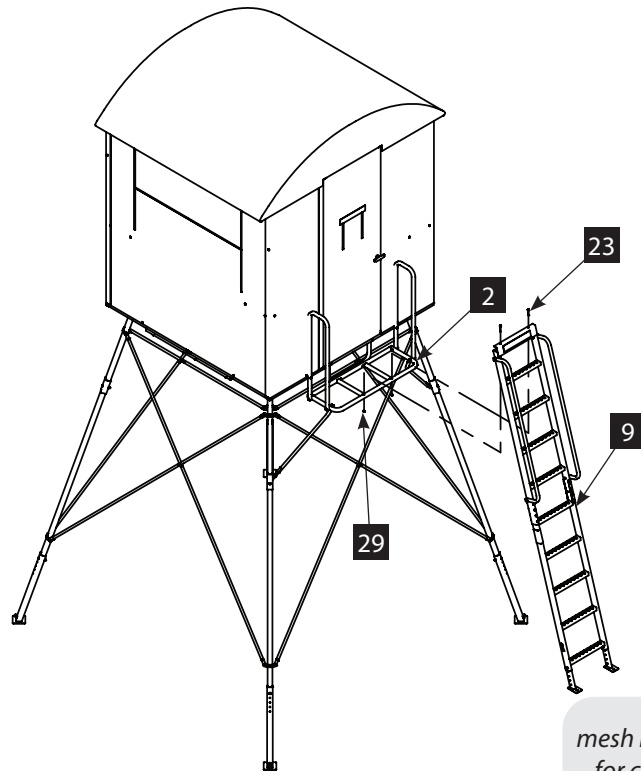


15. With **at least four people**, carefully lift on the platform side of the tower and tilt onto its feet. **DO NOT** lift only on the blind!

16. Using a step ladder, attach the ladder assembly to the entry platform (2) by positioning the attachment plate on the top ladder section (9) on top of the entry platform (2) and by using two 1/4-20 X 2 IN bolts (23) and 1/4-20 nuts (29). **DO NOT** climb the tower's ladder to bolt it to the entry platform!

Securely tighten all loose hardware at this time.

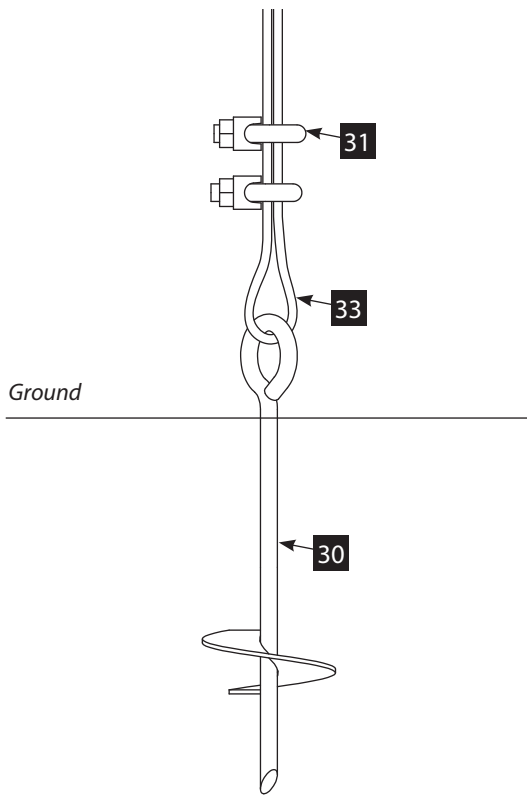
At this time you should level the platform by adjusting the leg and ladder feet.



STEP 16



STEP 17

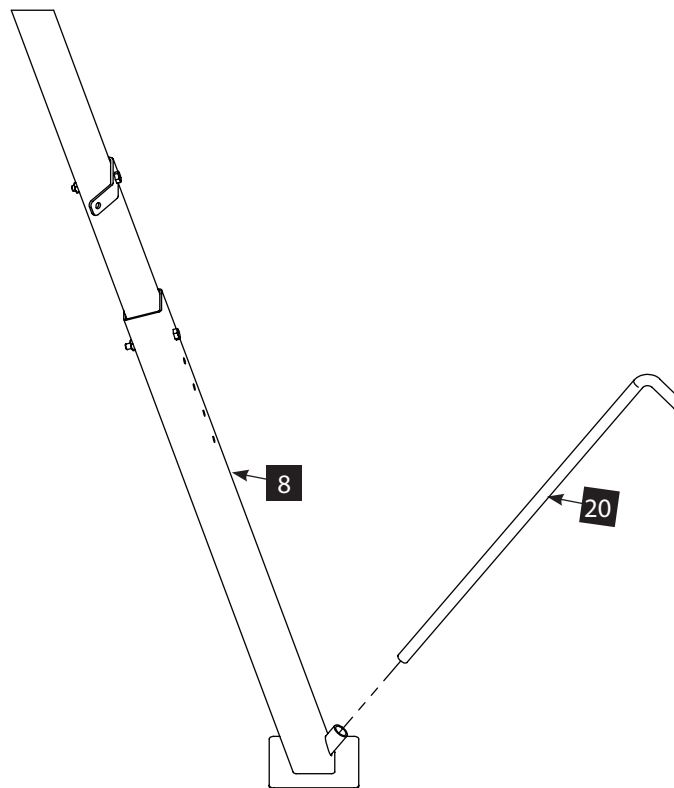


17. After the platform has been leveled, to secure the tower to the ground, first start the auger (30) into the ground directly under the center of the platform by using one of the ground stakes (20) as a "T" handle through the loop in the top of the auger to help partially screw it in. Leave approximately 6" of the auger above the ground at this time.

Attach cable (33) to the auger with two cable clamps (31) as shown. Screw the auger further into the ground until the cable is pulling down tightly on the platform.

NOTE: DO NOT over-tighten cable, damage or distortion to the platform may occur.

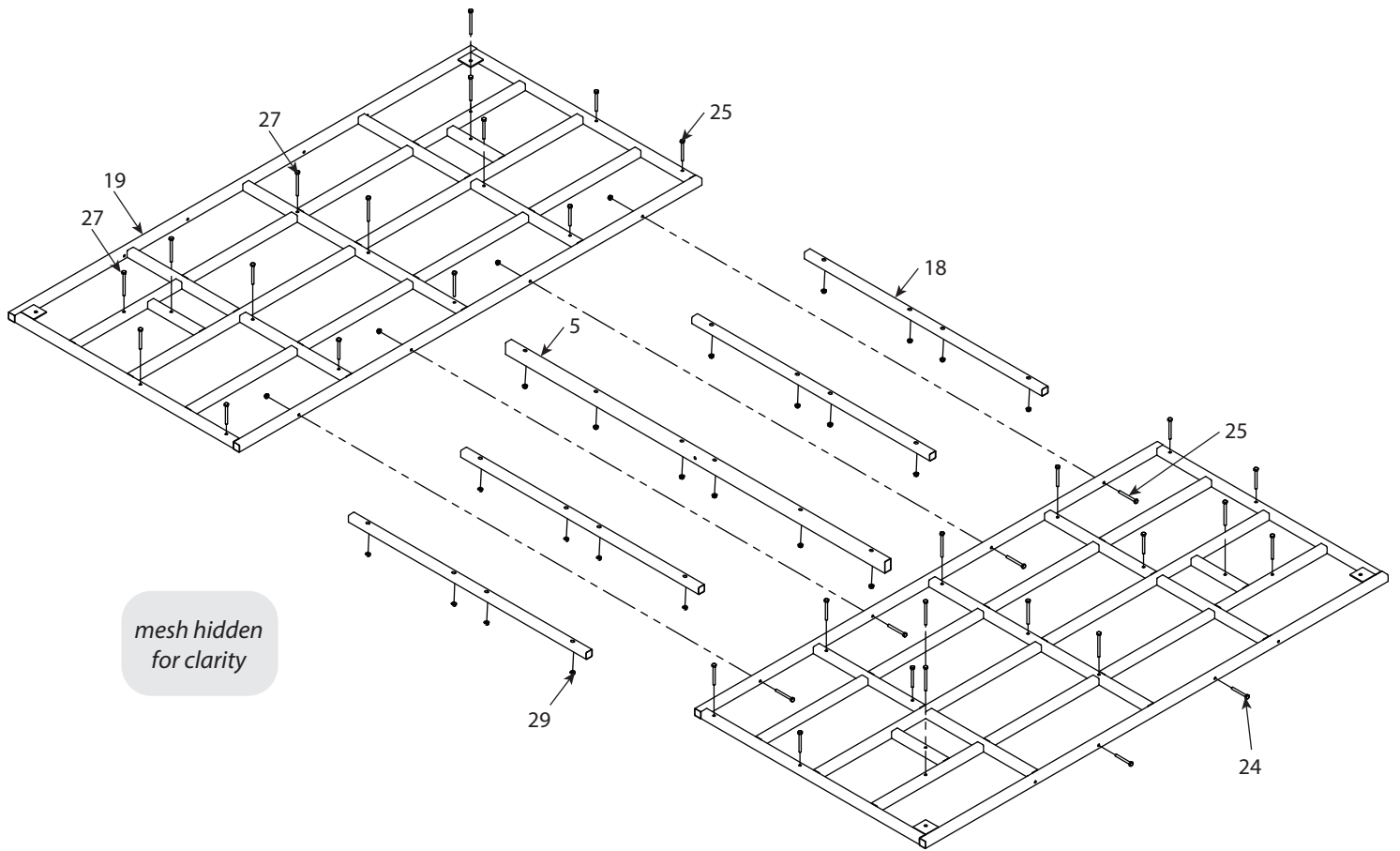
18. Using a hammer, drive the four ground stakes (20) through the holes in the tower feet (8).



STEP 18

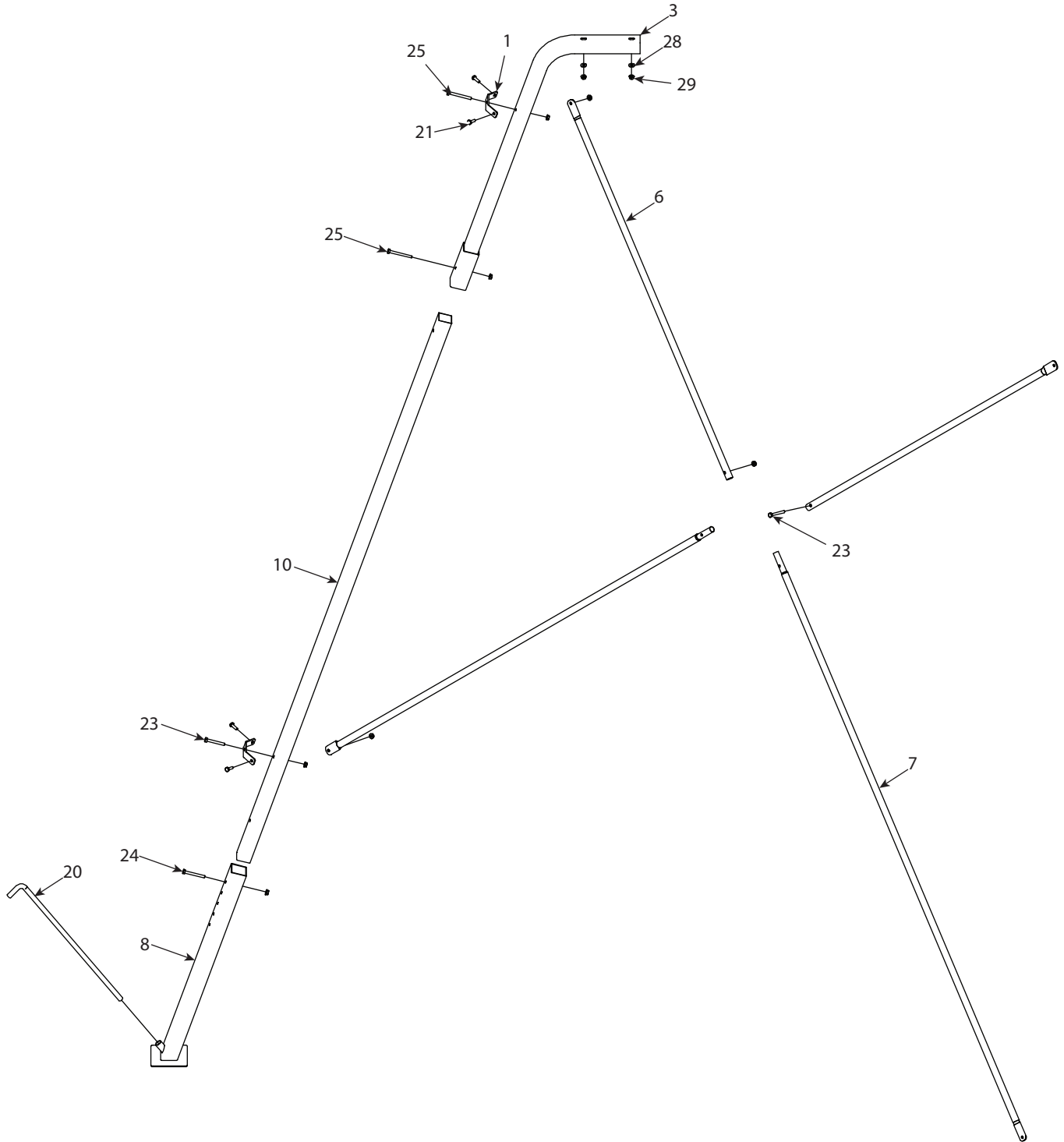


ILLUSTRATED PARTS BREAKDOWN - PLATFORM



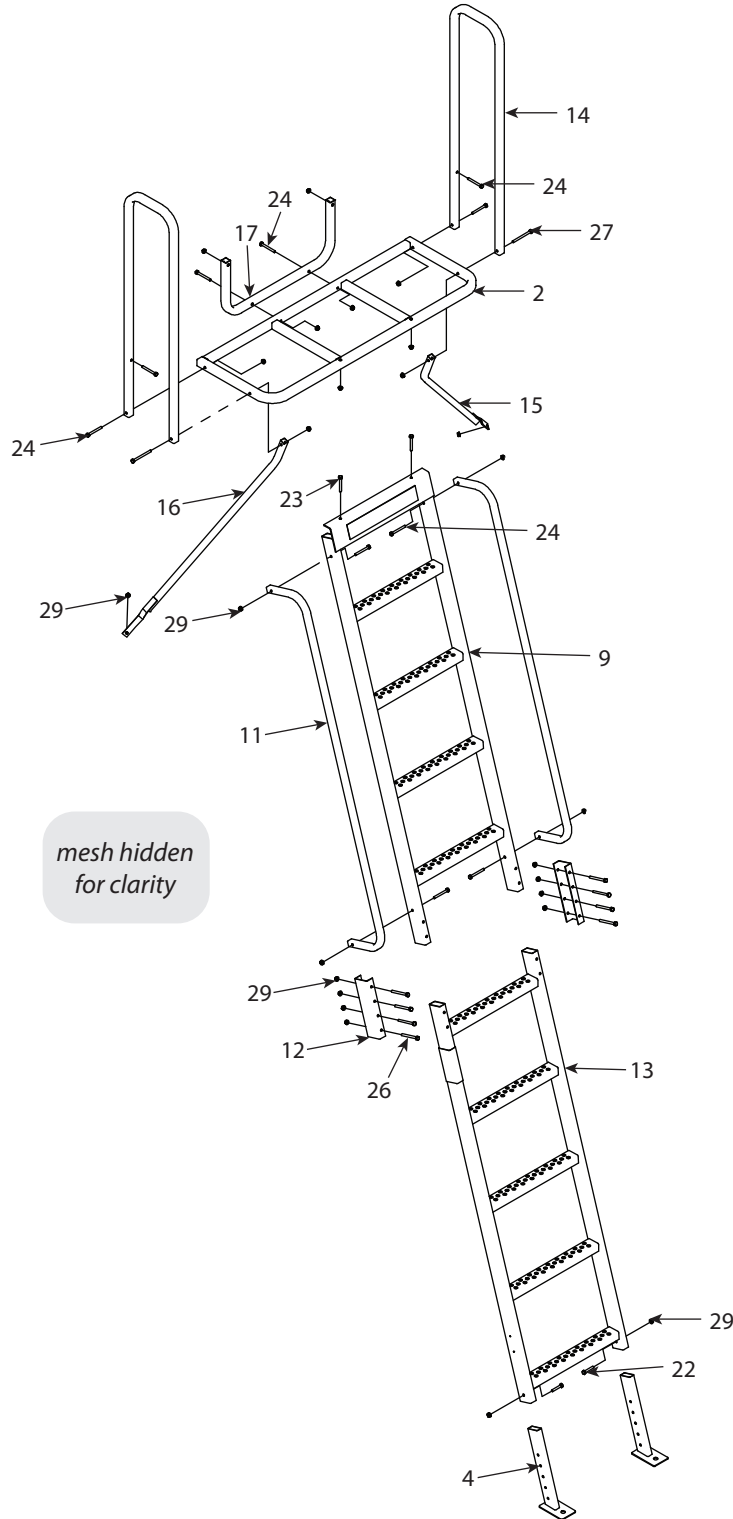


ILLUSTRATED PARTS BREAKDOWN - TOWER LEGS



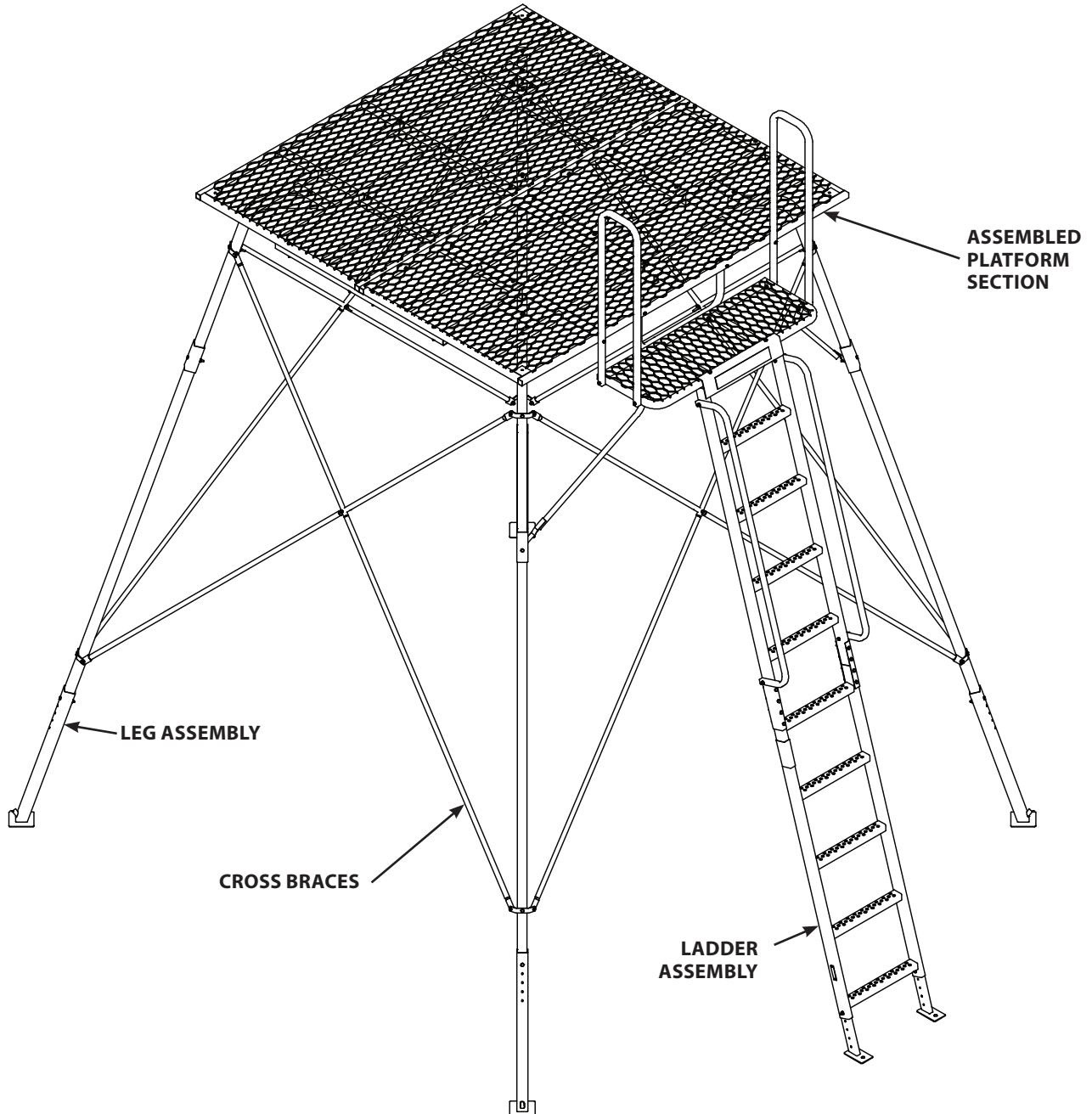


ILLUSTRATED PARTS BREAKDOWN - LADDER





FINISHED TOWER





PARTS LIST

ITEM #	PART #	DESCRIPTION	QTY.
1	35511	BRACKET BRACE TO LEG ATT	8
2	40458	ENTRY PLATFORM	1
3	40460	LEG TO PLATFORM ATTACH	4
4	40461	LADDER FOOT ADJUSTABLE	2
5	40464	CENTER BRACE PLATFORM	1
6	40480	CROSS BRACE FEMALE 45 IN	8
7	40481	CROSS BRACE MALE 70 IN	8
8	40493	FOOT ADJUST W/STAKE GUIDE	4
9	40515	TOP LADDER SECTION	1
10	40516	LEG	4
11	40552	LADDER HAND RAIL	2
12	40554	LADDER CONNECTOR BRACKET	2
13	40556	BOTTOM LADDER SECTION	1
14	40557	ENTRY PLATFORM HAND RAIL	2
15	40558	ENTRY PLATFORM BRACE RIGHT	1
16	40559	ENTRY PLATFORM BRACE LEFT	1
17	40560	ENTRY PLATFORM BRACE REAR	1
18	40561	PLATFORM BRACE	4
19	40562	PLATFORM	2
20	24099	GROUND STAKE	4
21	8930B	BOLT 1/4-20 X 3/4 IN	16

ITEM #	PART #	DESCRIPTION	QTY.
22	48240B	BOLT 1/4-20 X 1-1/2 IN	2
23	48153B	BOLT 1/4-20 X 2 IN	10
24	48271B	BOLT 1/4-20 X 2-1/4 IN	16
25	48270B	BOLT 1/4-20 X 2-1/2 IN	28
26	67540B	BOLT 1/4-20 X 2-3/4 IN	8
27	48280B	BOLT 1/4-20 X 3 IN	16
28	48261B	WASHER 1/4 IN	8
29	48752B	1/4-20 NUT	96
ITEMS BELOW NOT SHOWN			
30	24100	GROUND STAKE AUGER 24 IN	1
31	48650	CABLE CLAMP 1/8 IN	4
32	63282	BOLT 1/4-20 X 1 IN	4
33	24103	TIE DOWN CABLE	1
34	48752B	1/4-20 NUT	4
35	48261B	WASHER 1/4 IN	4

**NO EXTENSIONS AVAILABLE FOR THIS MODEL.
NEVER MODIFY OR EXCEED ORIGINAL STATED USE HEIGHT!**



LANDMARKTM
PERMANENT BLINDS

RIVERS EDGE[®]

WE ARE HUNTERS

Ardisam, Inc.
1730 Industrial Ave.
Cumberland, WI 54829

Phone: 800-345-6007
Fax: 715-822-2124
www.HuntRiversEdge.com

*All weights, specifications and features are approximate and are subject to change without notice. Due to continuous product improvements, product images may not be exact. Warning labels in some product images may have been removed for photography purposes only. Props shown in photos not included. Some assembly may be required.