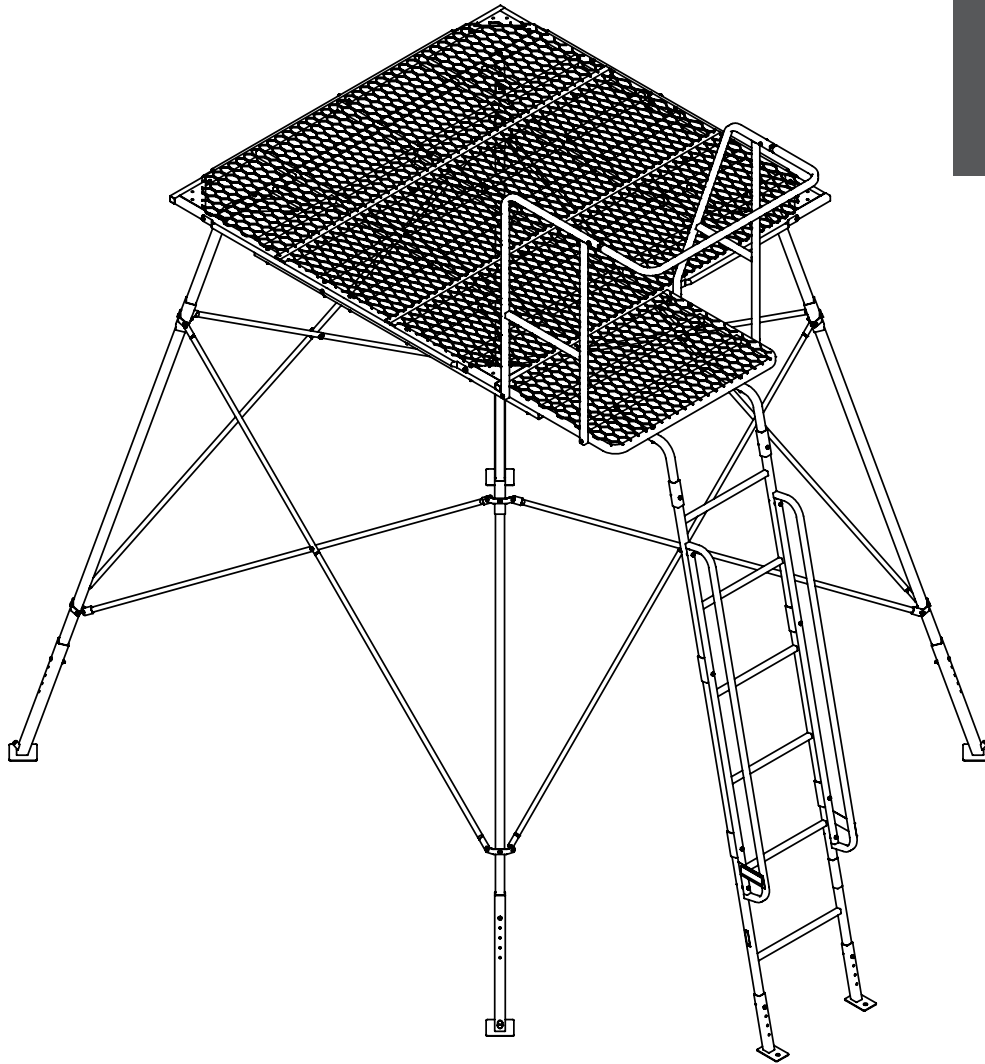


CAGE™

PERMANENT HUB BLINDS



Operator's Manual

CAGE™
8 FT TOWER

MODEL CTR3008

Maximum Height
11' to rail

Maximum Field Rating
800 lbs; no more than
300 lbs per person.



ATTENTION

**YOU MUST READ ALL WRITTEN INSTRUCTIONS
AND WATCH THIS SAFETY VIDEO BEFORE USING!**



WATCH THIS SAFETY VIDEO BEFORE USING!

Scan →



or Visit →

www.standsafety.com/r5

Scan the QR code with your smart phone, tablet or similar device.

OR

Type the website address into your web browser to view an important safety video before using this product.

TRIPOD STAND SAFETY

PRODUCT MEETS
INDUSTRY STANDARDS
RECOGNIZED BY



PARTICIPATING MEMBER

Get parts online at
www.cageblinds.com

© 2023 Ardisam
All Rights Reserved

P/N: 38543
C/N: 38521, 40168
REV3: 02/07/2023

INTRODUCTION

CAGE™ Permanent Hub Blinds and Towers are engineered with you the hunter in mind. We appreciate your purchase of one of our world class products. Follow these few simple instructions and your tower will provide you many years of trouble-free pleasure. Instructions should be kept in a safe place and reviewed at least annually.

If for any reason you have a problem with your product, **DO NOT return to the retailer**, contact the CAGE™ customer service department at 800-345-6007 for assistance.

CONTENTS

Introduction/Warranty	2
Warnings.....	3-5
Tools Required.....	6
Hardware Identification Chart.....	6-7
Assembly Instructions	8-16
Blind Attachment	17-18
Inspection and Maintenance	19
Finished Tower.....	20
Illustrated Parts Breakdown.....	21-23
Parts List.....	24

WARRANTY

Ardisam offers a **one year warranty** for all components of the tower. (For CAGE™ blind warranty please refer to the CAGE™ blind manual). These warranties apply to the original owner with a proof of purchase. These warranties begin on the date of purchase by the first retail consumer and continue for the period specified above. These warranties apply to products that are not modified, abused or used in a manner that deviates from the product's intended usage. Any corrosion of painted surfaces that occurs as a result of paint being removed or damaged is also not covered by warranty. Ardisam offers no other warranty expressed or implied. Products for which warranty work has been approved must be sent directly to Ardisam and performed by Ardisam. **To obtain warranty service and/or replacement instructions, you must obtain prior approval from Ardisam before shipping your package to us by calling our customer service department at 800-345-6007 or by writing to: Ardisam, Inc., P.O. Box 755, 1730 Industrial Avenue, Cumberland, WI 54829 for a return material authorization number (RMA #).** All items must be shipped prepaid. Ardisam will, at no charge, repair or replace, in Ardisam's sole discretion, any product that satisfies the conditions stated above. Ardisam retains the right to change models, specifications and price without notice.

This equipment has been manufactured under strict quality and safety guidelines. As with any equipment of this type, full understanding of the instructions and its use is mandatory and imperative for the safety of its user. Ardisam is not responsible for any damages or injuries sustained due to improper use or modification of any of its products, or resulting from any use which deviates from the product's intended usage. Ardisam is not responsible for any injuries sustained due to failure to read and adhere to the instructions for use. Any misunderstanding or questions regarding the products of their use should be directed to Ardisam prior to any use. It is the owner's sole responsibility to inspect the product regularly for damage, improper installation, or conditions that could jeopardize the ultimate safety of the product. **Owner is responsible to understand and follow product field weight rating and must never exceed maximum weight rating.** Ardisam is not responsible for any malfunction or injury resulting from normal wear and tear, damage caused by improper use, improper maintenance, negligence or accidents. This product, if used safely as intended, will provide trouble free service for the useful life of the product. We hope you will enjoy the quality of our products for years to come, and have a safe hunt.

If you choose to attach a blind type structure on this product, only use Ardisam original designed structures to do so. *Using man-made structures or structures not manufactured by Ardisam will void your warranty and waive any and all claims for liability against the manufacturer Ardisam.

STOP**READ AND UNDERSTAND THE FOLLOWING WARNINGS BEFORE ASSEMBLY****MODEL CTR3008****MAXIMUM USE HEIGHT - 11' TO RAIL****TOTAL WEIGHT LIMIT - 800 LB (300 LB PER PERSON MAX)****! WARNING**

- ▲ This product carries strict height and weight restrictions. **Do Not** use this product if you exceed the total weight limit. Please note that the total weight limit includes the user(s) and their equipment.

! WARNING

- ▲ **When using a tripod or tower stand the risk of a fall can occur anytime after leaving the ground. Falling from a tripod or tower stand can result in serious injury or death.**
- ▲ **Read and understand** all of the manufacturer's Warnings and Instructions and use all safety devices provided by the manufacturer. Contact the manufacturer for any questions. Failure to do so could result in injury or death.
- ▲ **Never** exceed the total weight limit of the treestand, tripod or tower.
- ▲ **Never** use a treestand, tripod or tower during inclement weather such as rain, lightning, windstorms or icy conditions and end your hunt and return to the ground if inclement conditions arise.
- ▲ **Never** use a treestand, tripod or tower while using drugs (even prescription drugs) or alcohol.
- ▲ **Never** use a treestand, tripod or tower while feeling ill, nauseous or dizzy, or if you have a prior medical condition that could cause a problem, that is, heart condition, joints that lock-up, spinal fusions, etc., or if you are not well rested. **Never** sleep in stand.
- ▲ **Never** rely on a tree branch for support.
- ▲ **Never** jump or bounce on a treestand, tripod or tower to seat it to the tree or ground.
- ▲ Pull up a bow, backpack, or firearm or other equipment only after being secure in the treestand, tripod or tower and a firearm must be pulled up with it unloaded, chamber open, and muzzle down.
- ▲ **Always** inform someone of the hunting location, where the treestand, tripod or tower will be located and the expected duration of the hunt.

! WARNING

- ▲ A signal device such as a mobile phone, radio, whistle, signal flare or personal locator device (PLD) must be on your person and readily available at all times.
- ▲ **Never** leave a tripod or tower out in the elements for more than two weeks since weather or animals could cause damage.
- ▲ Inspect the treestand, tripod or tower and all safety devices each time before use and **Do Not** store a treestand or free standing platform stand outdoors.
- ▲ **Never** modify your treestand, tripod or tower in any way by making repairs, replacing parts, or altering it except if explicitly authorized in writing by the manufacturer.
- ▲ Practice installing, adjusting and using your treestand, tripod or tower at ground level prior to using it at elevated positions. Study your new stand to become familiar with all of its features and design. Doing so will confirm that the product is manufactured, assembled and installed correctly.
- ▲ Instructions (written and video) shall be kept in a safe place and reviewed at least annually. It is the responsibility of the treestand, tripod or tower owner to furnish the complete instructions to any person who borrows or purchases the treestand, tripod or tower.
- ▲ When installing, taking down or moving a tripod or tower stand you must strictly follow the manufacturer's instructions to determine the appropriate number of people required to perform these tasks.
- ▲ **Always** use at least four (4) people to install or take down a tripod or tower.
- ▲ A fall arrest system/full body harness (FAS/FBH) that meets industry standards for treestands is not included with tripods and tower stands. FAS/FBH designed for treestands require that the tether be anchored/attached to the tree. Never attach a FAS/FBH to a tripod or tower stand or any part of its structure as this could lead to an unsafe condition. Failure to follow this warning could result in serious injury or death!
- ▲ Prior to setting up your tripod or tower stand inspect the ground surface area. The ground must be firm, level and free of any debris. Soft or sloping ground and debris can cause the platform to become unstable and lead to unsafe conditions such as tilting, shifting or tipping. Never attempt to climb a tripod or tower stand that is leaning, unstable or slanted.

STOP**READ AND UNDERSTAND THE FOLLOWING WARNINGS BEFORE SETUP AND USE** **WARNING**

- ▲ Never erect a tripod or tower stand near overhead electrical power lines and/or buried utilities that can cause electrocution, explosion and/or fire. You must always contact appropriate authorities prior to installing any structure on or near right of ways or underground utilities.
- ▲ Check every ladder section connection every time you use the stand before you leave the ground. If ladder sections are separating, do not use the stand.
- ▲ For towers and tripods designed for two or more people, never allow more than one person at a time to ascend or descend the ladder. Be certain first person is fully off the ladder/entry platform and positioned safely on tower platform or ground before second person ascends or descends ladder.
- ▲ Always maintain three (3) points of contact when climbing a tripod or tower stand. Proper three-point contact means having either two feet with one hand or one foot with two hands on the step portion of the ladder at all times. Never lean backward when climbing as this could cause the tripod or tower stand to become unstable.
- ▲ Tripod and tower stands must be properly secured and/or anchored to the ground according to manufacturer's instructions. Avoid using tripod and tower stands during windy conditions which could cause the free standing platform to tip over and result in damage to equipment and also serious injury or death to the users.
- ▲ Inspect tripod and tower stands before each use. Leaving equipment exposed to rain, sunlight, changing temperatures, snow and extreme weather conditions for extended periods of time can cause dangerous conditions not visible to the naked eye. Do not attempt to use any product if damage is detected or suspected. For your personal safety and also the safety of others, the product should be removed from service immediately.
- ▲ **Never** exceed the stated maximum use height.

 **WARNING**

- ▲ **Do Not** use this product until you have watched the safety video, understand it, and practiced the techniques for safe hunting discussed in this video. The video can be found with the QR code and/or URL shown on front cover of this manual.
- ▲ Read and perform all inspection and maintenance tasks before each and every use. Replace any questionable components immediately with RETI original replacement parts.
- ▲ **Do Not** crush tubing when tightening bolt assemblies! Identify and familiarize yourself with all parts before you start. Bolt identification chart can be found in the back.
- ▲ Double check assembly steps to be certain you have correctly assembled this product.
- ▲ **Never** use any product that has not been maintained or inspected properly - Your life depends on it!
- ▲ Do not position this product on a slope, unlevel, or wet ground. It may tip over and serious injury or death may occur.
- ▲ Ground must be free of rocks and debris so stakes can be driven into ground through holes provided in foot pads. This will help prevent tower from tipping over in strong winds.
- ▲ Contacting buried utilities may result in serious injury or death! Before digging always call 811 or you local One-Call system to prevent person injury, interruption of service, environmental accidents or project delays.
- ▲ Heavy product, **Always** use at least four (4) people to install or take down a tripod or tower. **Do Not** let someone with a history of back problems help.

 **WARNING**

- ▲ **Only** use approved RETI parts. Failure to do so may result in serious injury or death!

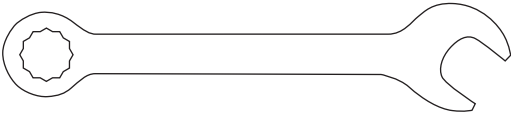
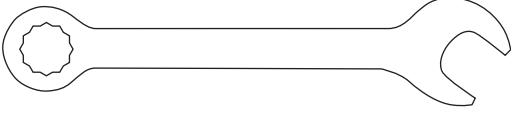
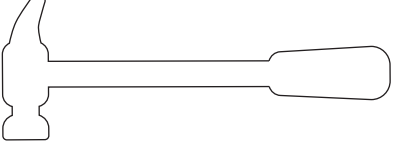
STOP**READ AND UNDERSTAND THE FOLLOWING WARNINGS BEFORE SETUP AND USE****⚠ WARNING**

- ▲ Be sure only one person ascends or descends ladder at a time. Be certain first person is fully off of the ladder and positioned safely on tower platform or ground before second person ascends or descends ladder.
- ▲ **Never** have two people on one side of the platform. Keep weight evenly distributed on platform.
- ▲ **Always** be aware of the other person's position. Use extreme caution when weapons are used to prevent personal injury.
- ▲ **Always** lean forward as you climb ladder or climbing aid.
- ▲ **Always** wear the appropriate footwear when using a free standing platform stand. A good non-slip safety boot is important to your personal safety. Be especially careful that boot laces do not get hooked on the stand or any of its components (tuck shoelaces into boots before climbing).

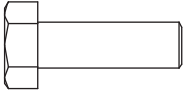
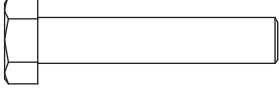
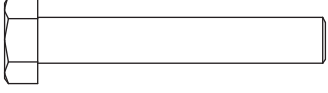



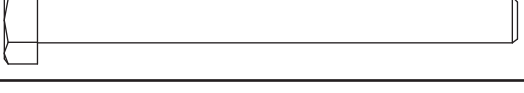
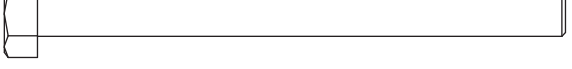
⚠ WARNING

- ▲ Double check assembly steps to be certain you have correctly assembled this product.
- ▲ Study your new stand to become familiar with all of its features and design. Save these instructions for future reference.
- ▲ **Be Sure** assembly area is open, flat, level, and dry with no power lines near!
- ▲ **Always** use at least four (4) people to install or take down a tripod or tower.
- ▲ **Do Not** use any type of motorized vehicle to upright/assemble this free standing platform stand. You could cause unnecessary damage to this product. Upright by hand only using four (4) people.
- ▲ Some models include a shooting rail. **Never** lean against, lean over, or sit on shooting rail. It is designed as a shooting rest only. On models that have a non-fixed shooting rail, be sure shooting rail is flipped back or swung to the side when ascending or descending ladder.

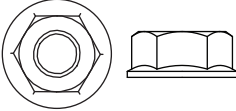
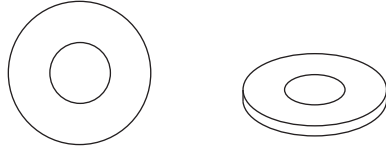
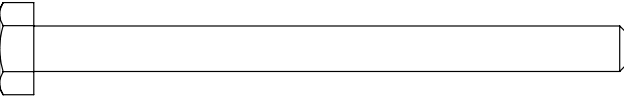
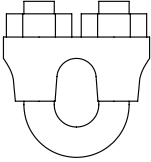
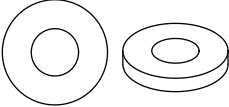
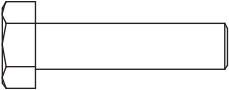
TOOLS REQUIRED

-	-	7/16 IN WRENCHES		2
-	-	5/16 IN WRENCH		1
-	-	HAMMER		1

HARDWARE LIST

Item	Part No.	Description	Image	Qty
27	8930B	BOLT 1/4 X 3/4 IN		16
28	8909B	BOLT 1/4 X 1-1/4 IN		2
29	48240B	BOLT 1/4 X 1-1/2 IN		8
30	48250B	BOLT 1/4 X 1-3/4 IN		4
31	48153B	BOLT 1/4 X 2 IN		16
32	48271B	BOLT 1/4 X 2-1/4 IN		15
33	48270B	BOLT 1/4 X 2-1/2 IN		32
34	67540B	BOLT 1/4 X 2-3/4 IN		8

HARDWARE LIST (CONTINUED)

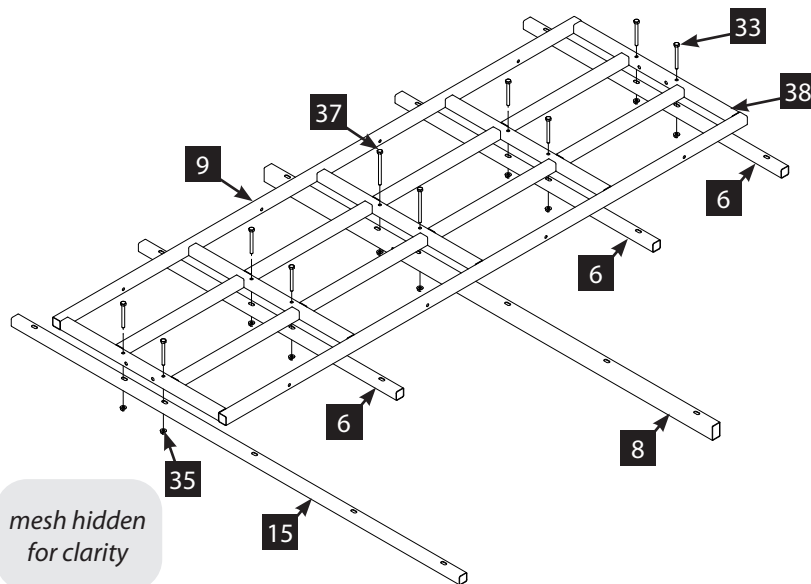
Item	Part No.	Description	Image	Qty
35	48752B	NUT 1/4 IN		115
36	WN516	PLASTIC WASHER 1.6 MM		4
37	48273B	BOLT 1/4 X 3-1/4 IN		6
39	48650	1/8 IN CABLE CLAMP		4
40	48261B	WASHER 1/4 IN		8
42	63282	BOLT 1/4 X 1 IN		8

ASSEMBLY INSTRUCTIONS

IMPORTANT ASSEMBLY TIP:

Do not tighten any nut and bolt combinations completely until instructions indicate to. Finger tighten plus one turn of a wrench only! This will temporarily hold the locknut on the bolt while helping alignment of all parts!

STEP 1

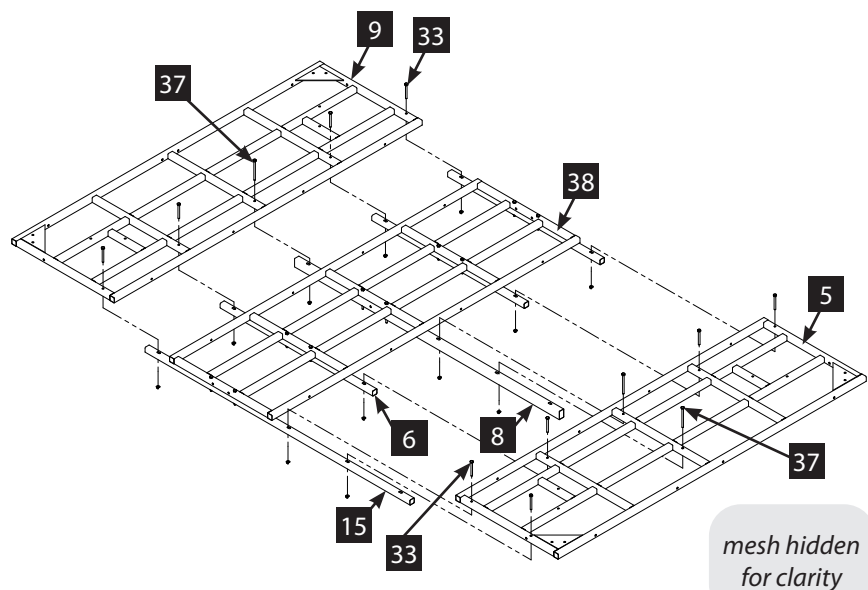


Note: If you plan to pre-assemble much of the tower in your garage or another convenient location before hauling to the final set-up location, it is easiest to assemble from Step 1 to Step 11, then move to the final set-up location to complete assembly.

1. Attach the three short platform braces (6) and the long platform brace (15) to the middle platform (38) using two 1/4-20 X 2-1/2 IN bolts (33) and 1/4-20 nuts (35). Attach the long center platform brace (8) to the middle platform (38) using two 1/4-20 X 3-1/4 IN bolts (37) and 1/4-20 nuts (35). **SEE FIGURE 1.**

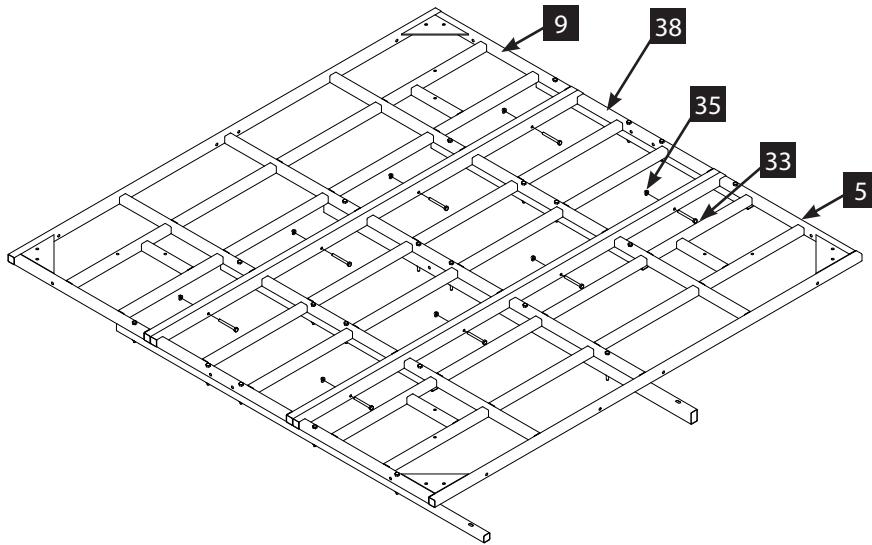
2. Attach the rear platform (9) to the three short platform braces (6) and the long platform brace (15) using one 1/4-20 X 2-1/2 IN bolts (33) and 1/4-20 nuts (35). Attach the rear platform (9) to the long center platform brace (8) using one 1/4-20 X 3-1/4 IN bolts (37) and 1/4-20 nuts (35). **SEE FIGURE 2.**

Attach the front platform (5) to the three short platform braces (6) using one 1/4-20 X 2-1/2 IN bolt (33) and 1/4-20 nut (35). Attach the front platform (9) to the long platform brace (15) using two 1/4-20 X 2-1/2 IN bolts (33) and 1/4-20 nuts (35). Attach the front platform (5) to the long center platform brace (8) using two 1/4-20 X 3-1/4 IN bolts (37) and 1/4-20 nuts (35) **SEE FIGURE 2.**



STEP 2

STEP 3



- Secure the three platforms together (5, 9, 38) using eight 1/4-20 X 2-1/2 in bolts (33) and 1/4-20 nuts (35). **SEE FIGURE 3.**

mesh hidden for clarity

- Attach the entry platform (1) to the long platform brace (15) using one 1/4-20 X 2-1/2 in bolt (33) and 1/4-20 nut (35). Attach the entry platform (1) to the long center platform brace (8) using one 1/4-20 X 3-1/4 in bolt (37) and 1/4-20 nut (35). **SEE FIGURE 4A.**

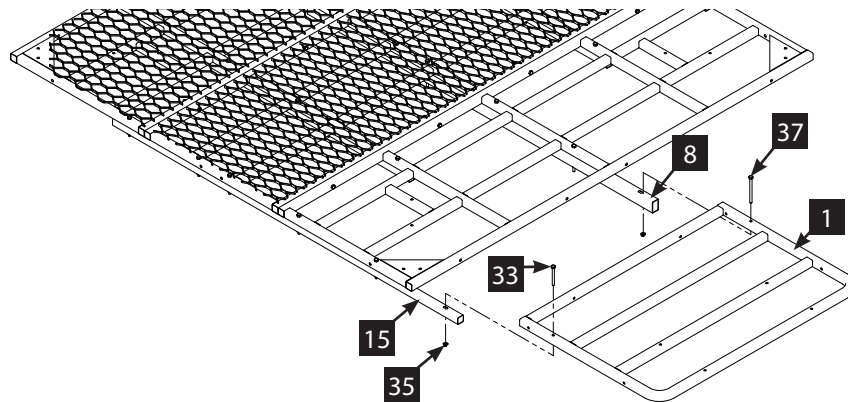
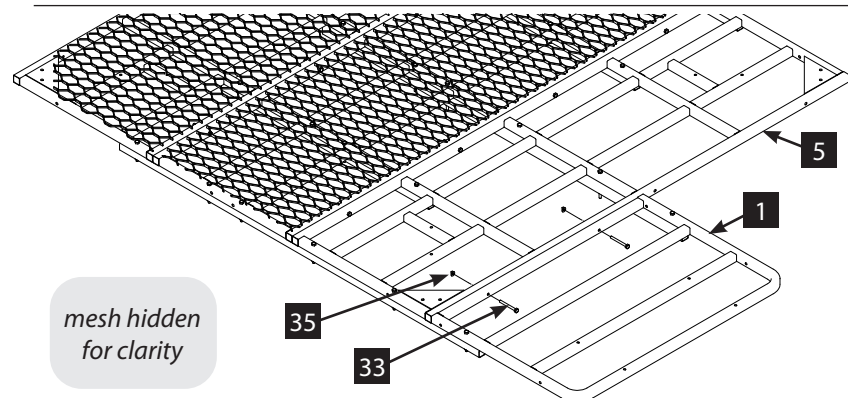


FIGURE 4A

Secure the entry platform (1) to the front platform (5) using two 1/4-20 X 2-1/2 IN bolts (33) and 1/4-20 nuts (35). **SEE FIGURE 4B.**

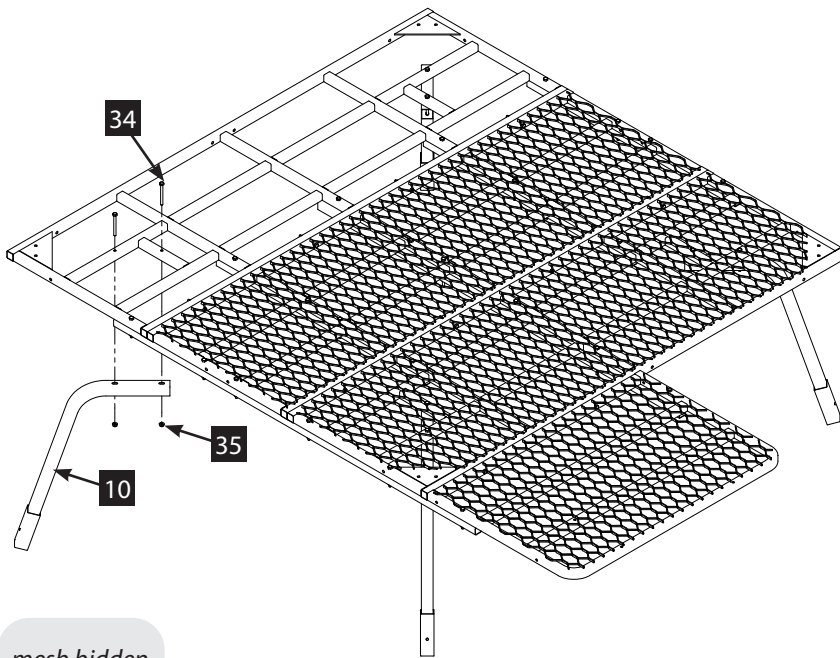


mesh hidden for clarity

STEP 4

FIGURE 4B

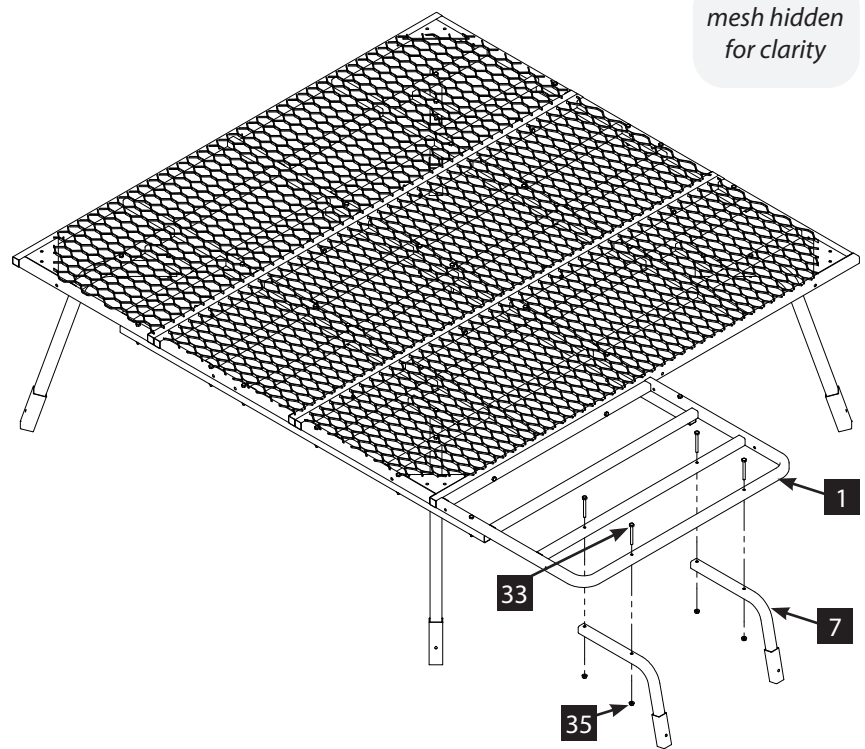
STEP 5



*mesh hidden
for clarity*

5. Attach the four leg-to-platform attachment parts (10) to the assembled platform using two 1/4-20 X 2-3/4 IN bolts (34) and 1/4-20 nuts (35) for each part. **SEE FIGURE 5.**

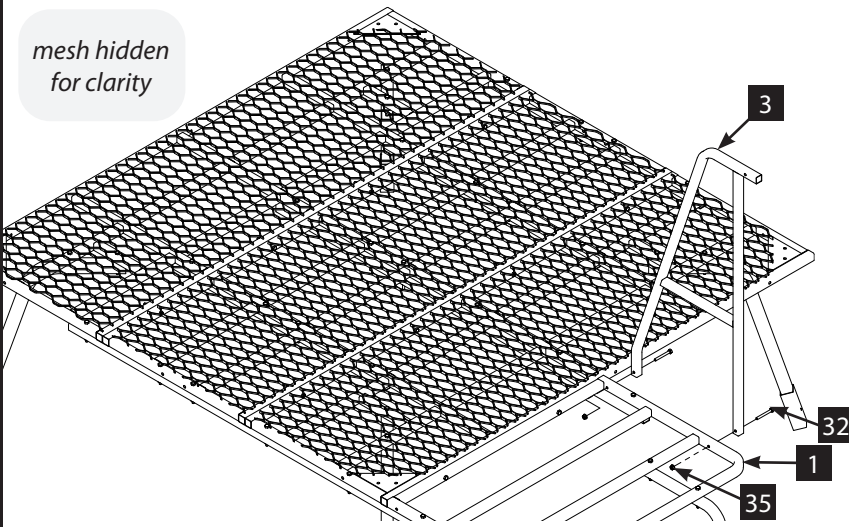
6. Attach the two entry platform J-tubes (7) to the entry platform (1) using two 1/4-20 X 2-1/2 IN bolts (33) and 1/4-20 nuts (35) for each part. **SEE FIGURE 6.**



*mesh hidden
for clarity*

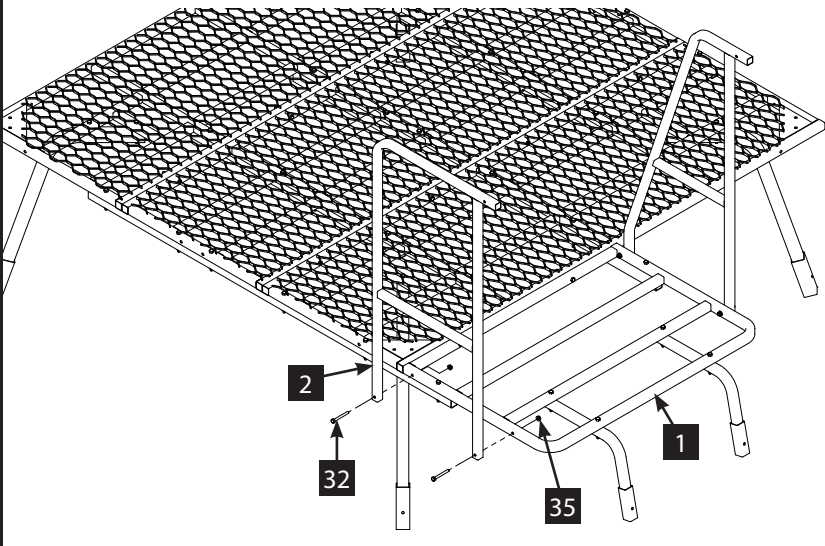
STEP 6

FIGURE 7A



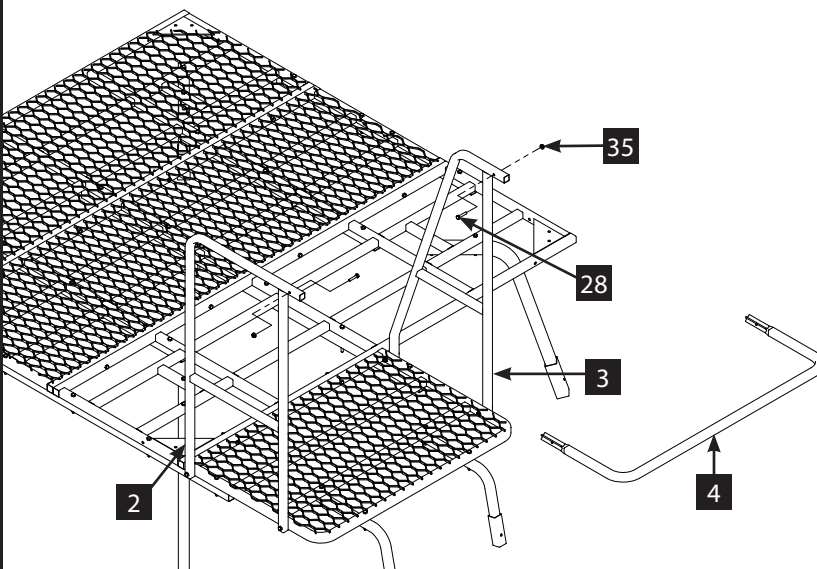
7. Attach the angled entry railing (3) to the entry platform (1) using two 1/4-20 X 2-1/4 IN bolts (32) and 1/4-20 nuts (35). **SEE FIGURE 7A.**

FIGURE 7B



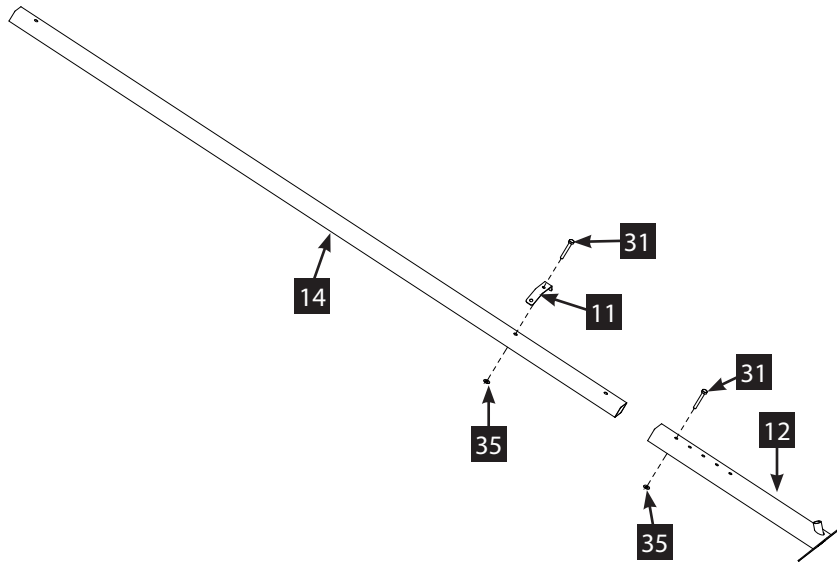
Attach the straight entry railing (2) to the entry platform (1) using two 1/4-20 X 2-1/4 IN bolts (32) and 1/4-20 nuts (35). **SEE FIGURE 7B.**

FIGURE 7C



Insert the entry railing connector (4) into the ends of the angled entry railing (3) and straight entry railing (2) and secure together using two 1/4-20 X 1-1/4 IN bolts (28) and 1/4-20 nuts (35). **SEE FIGURE 7C.** *Securely tighten all loose hardware at this time.*

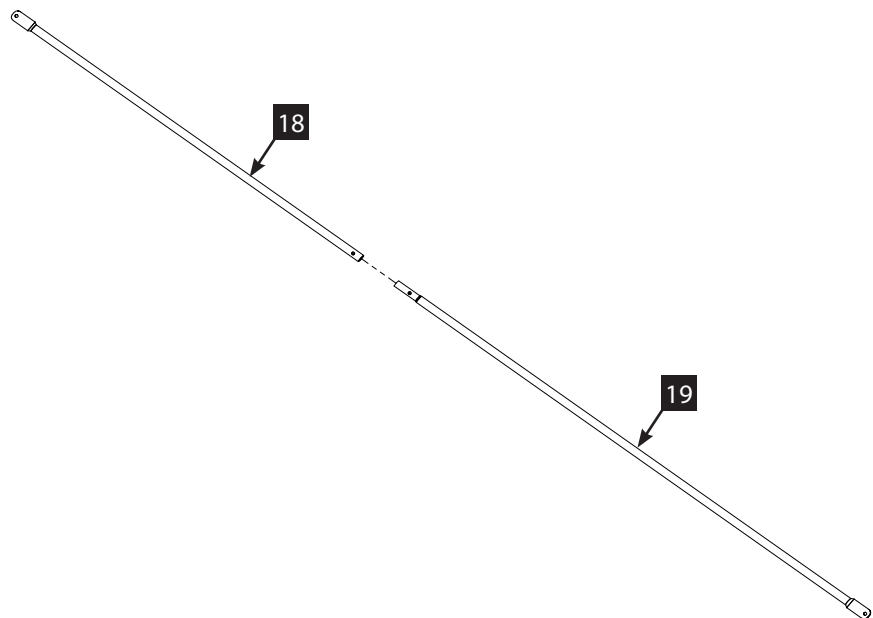
STEP 7

STEP 8

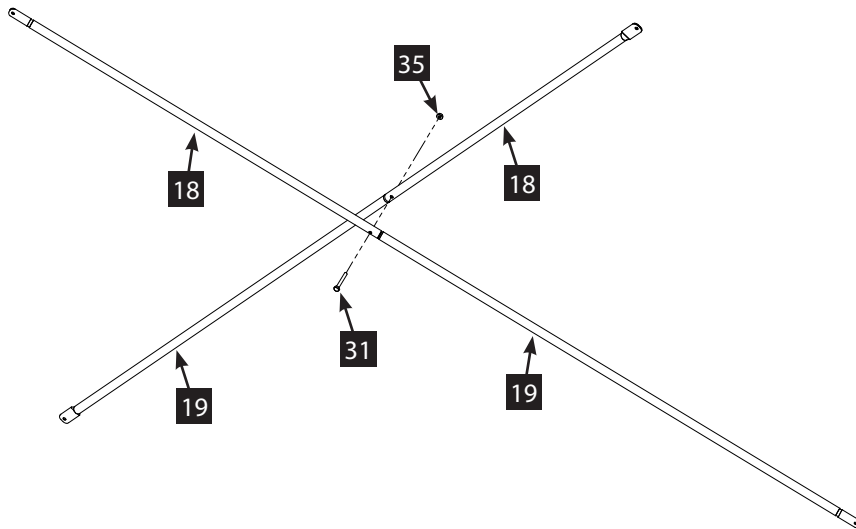
8. Assemble each of the four legs by attaching an adjustable foot (12) to a leg (14) using a 1/4-20 X 2 IN bolt (31) and 1/4-20 nut (35). It is easiest to adjust the tower level later if you use the top adjustment hole now as shown. **SEE FIGURE 8.**

Attach a brace-to-leg attachment bracket (11) to each leg (14) using a 1/4-20 X 2 IN bolt (31) and 1/4-20 nut (35). **SEE FIGURE 8.** *Securely tighten all loose hardware at this time.*

9. Start assembly of the cross braces by inserting a male cross brace (19) into each female cross brace (18). **SEE FIGURE 9.**

**STEP 9**

STEP 10



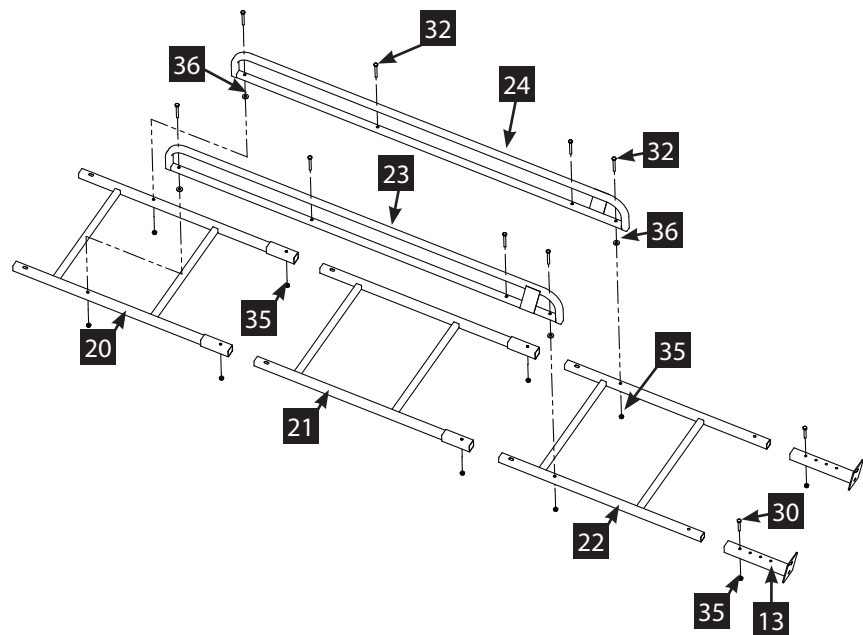
10. Complete assembly of the cross braces by attaching two cross brace assemblies (18, 19) together using a 1/4-20 X 2 IN bolt (31) and 1/4-20 nut (35) to make four separate cross brace assemblies. **SEE FIGURE 10.** *Securely tighten all loose hardware at this time.*

11. Begin assembly of the ladder by first sliding together the three ladder sections (20, 21, 22) in the order shown. **SEE FIGURE 11.**

Secure the ladder sections together by attaching the ladder hand rails (23, 24) to the four holes on each side of the ladder using four 1/4-20 X 2-1/4 IN bolts (32), two plastic washers (36) and 1/4-20 nuts (35) for each hand rail. The plastic washers are placed between the hand rail and ladder to act as a spacer. **SEE FIGURE 11.**

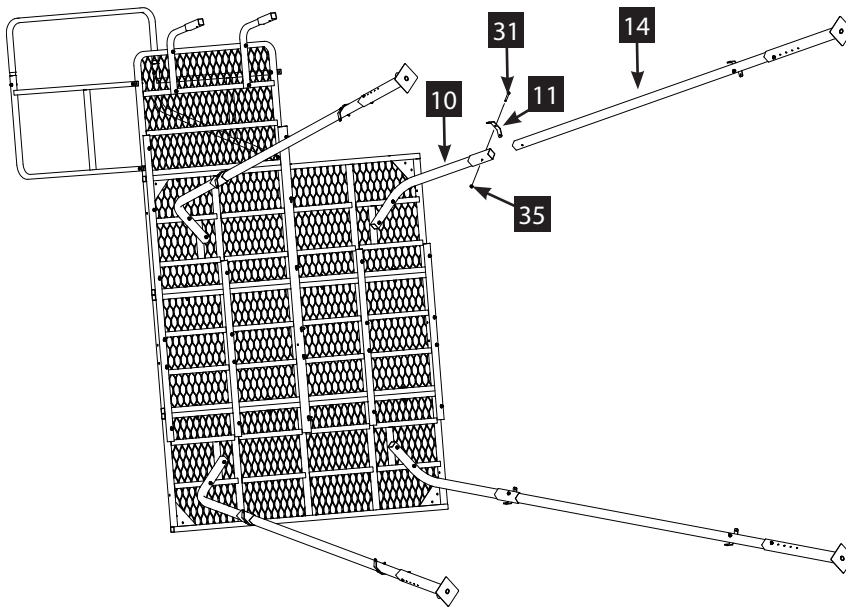
Attach the adjustable ladder feet (13) to the bottom ladder section (22) using a 1/4-20 X 1-3/4 IN bolt (30) and 1/4-20 nut (35) for each foot. It is easiest to adjust the ladder level later if you use the top adjustment hole now as shown.

SEE FIGURE 11. *Securely tighten all loose hardware at this time.*



STEP 11

STEP 12



12. Tip the platform on edge as shown and insert the four leg assemblies into the leg-to-platform attachment parts (10). Pay attention to the orientation of the leg so that the foot plate is angled correctly to sit flat on the ground. Then attach a brace-to-leg attachment bracket (11) to each leg and secure the parts together using a 1/4-20 X 2 IN bolt (31) and 1/4-20 nut (35). **SEE FIGURE 12.**

13. While paying attention to the orientation of the cross braces, attach the cross brace assemblies to the inside of the brace-to-leg attachment brackets (11) using a 1/4-20 X 3/4 IN bolt (27) and 1/4-20 nut (35) on each end. The female cross braces (18) should be closer to the platform side of the tower as shown. **SEE FIGURE 13A.** *Securely tighten all loose hardware at this time.*

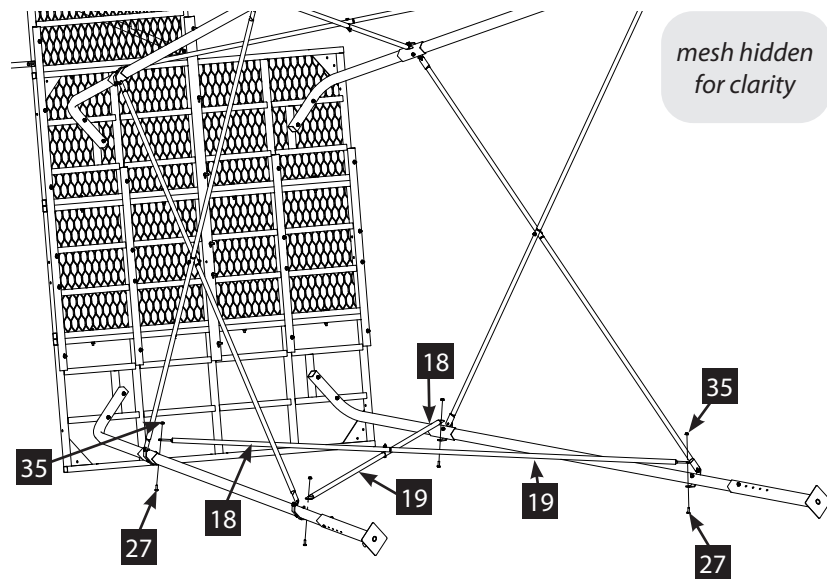


FIGURE 13A

STEP 13

Attach one end of the cable (26) to the hole in the center platform brace (8) using two cable clamps (39). **SEE FIGURE 13B.**

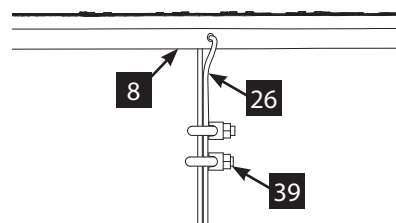
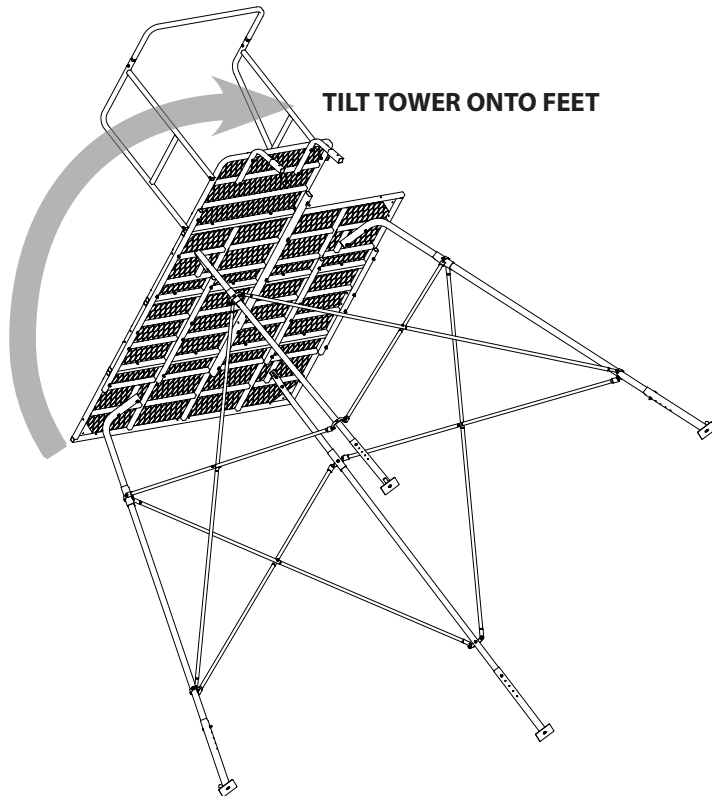


FIGURE 13B

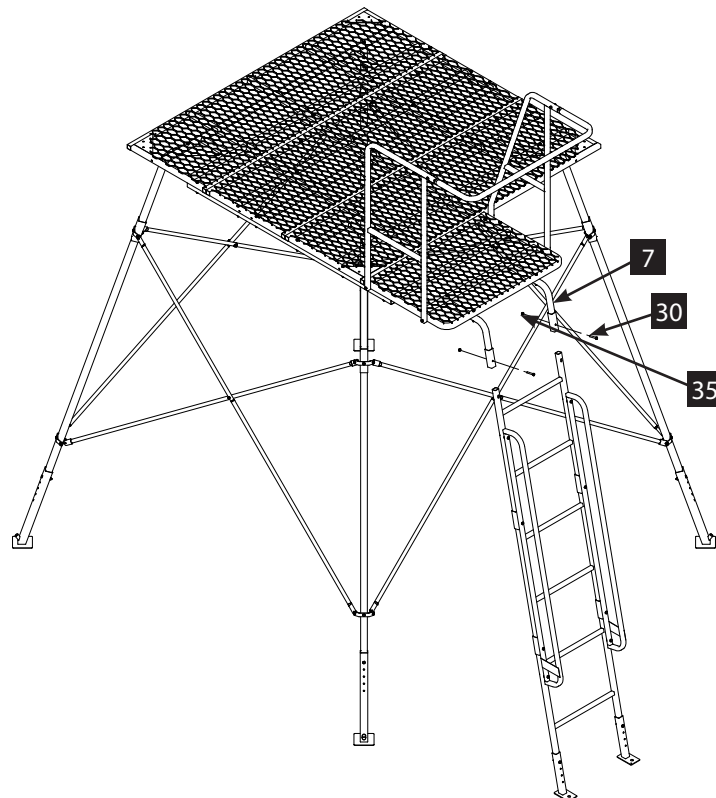
STEP 14



14. With at least four people, carefully lift on the platform side of the tower and tilt onto its feet. **SEE FIGURE 14.**

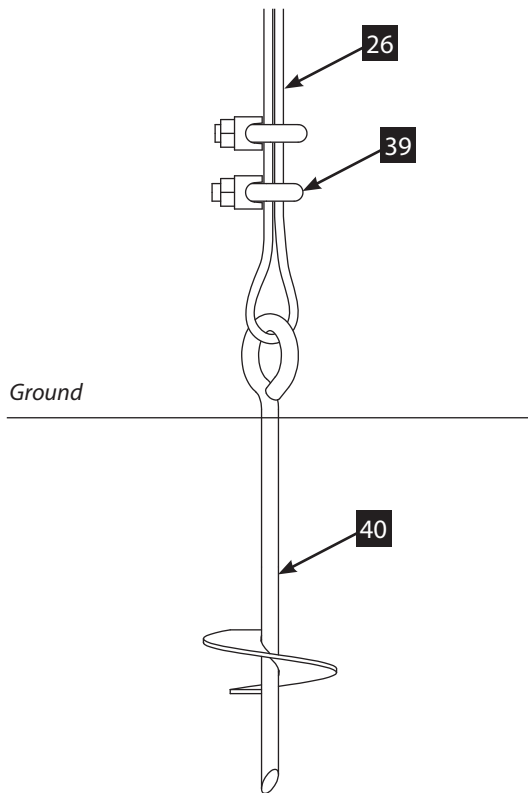
15. Slide the ladder assembly up into the entry platform J-tubes (7) and secure together using two 1/4-20 X 1-3/4 IN bolts (30) and 1/4-20 nuts (35). **SEE FIGURE 15.** *Securely tighten all loose hardware at this time.*

At this time you should level the platform by adjusting the leg and ladder feet.



STEP 15

STEP 16



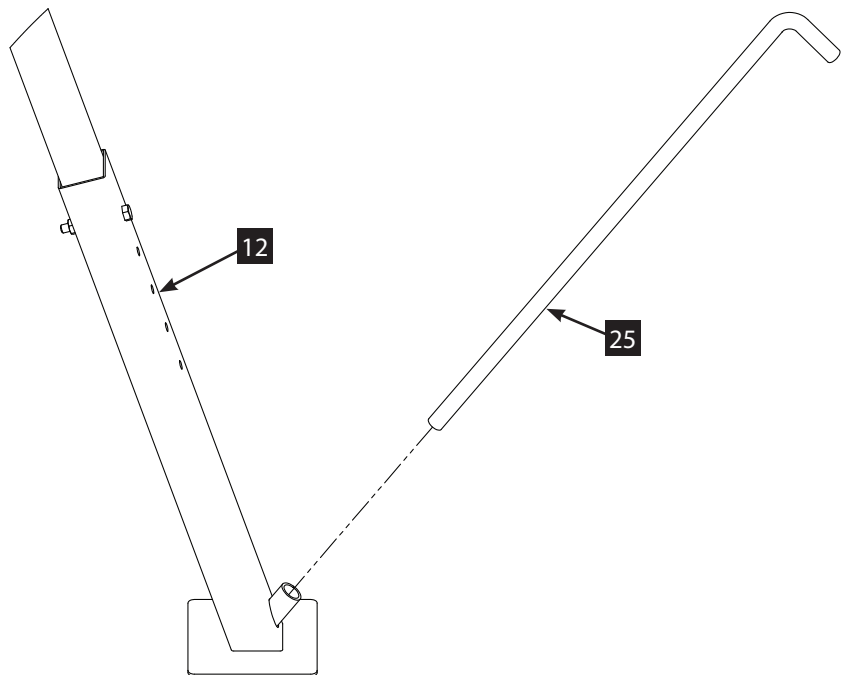
16. After the platform has been leveled, to secure the tower to the ground, first start the auger (40) into the ground directly under the center of the platform by using one of the ground stakes (25) as a "T" handle through the loop in the top of the auger to help partially screw it in. Leave approximately 6" of the auger above the ground at this time. **SEE FIGURE 16.**

Attach cable (26) to the auger with two cable clamps (39) as shown. **SEE FIGURE 16.**

Screw the auger further into the ground until the cable is pulling down tightly on the platform.

NOTE: DO NOT over tighten cable, damage or distortion to the platform may occur.

17. Using a hammer, drive the four ground stakes (25) through the angled stake guides in the ladder feet (12). **SEE FIGURE 17.**



STEP 17

BLIND ATTACHMENT STEPS

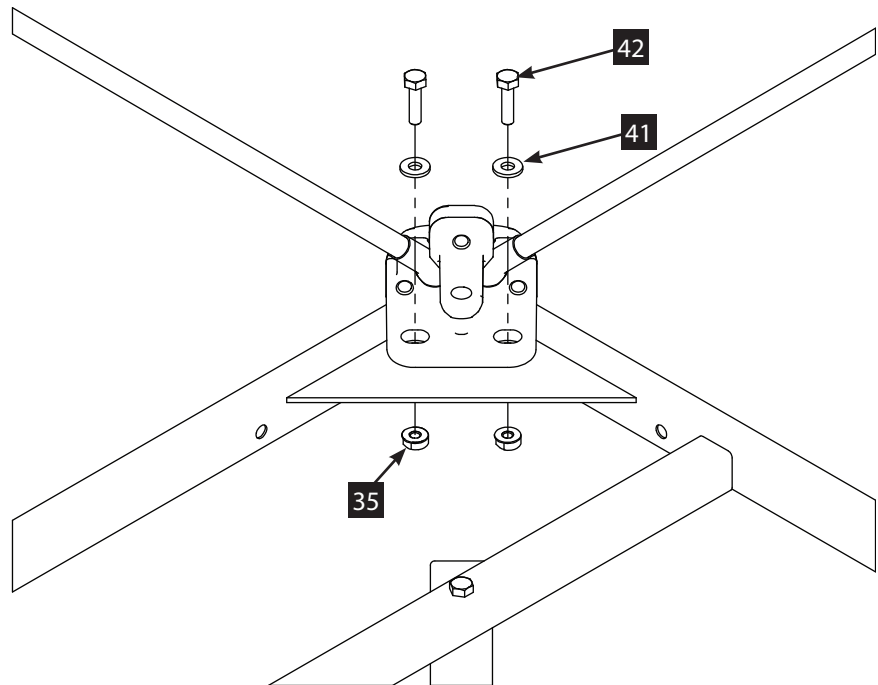
STEP 18



18. If you have purchased a Cage Permanent Hub Blind, you can now attach it to the tower. Begin by popping up and assembling the blind on the ground per the instructions provided with the blind.

Once the blind is assembled, using a minimum of three people, carefully lift it up and onto the platform on the side opposite the ladder. **SEE FIGURE 18.**

19. Align the blind with the tower platform and attach each corner of the blind by using two 1/4-20 X 1 IN bolts (42), two 1/4 IN washers (41), and 1/4-20 nuts (35) for each corner. **SEE FIGURE 19.** *Securely tighten all loose hardware at this time.*



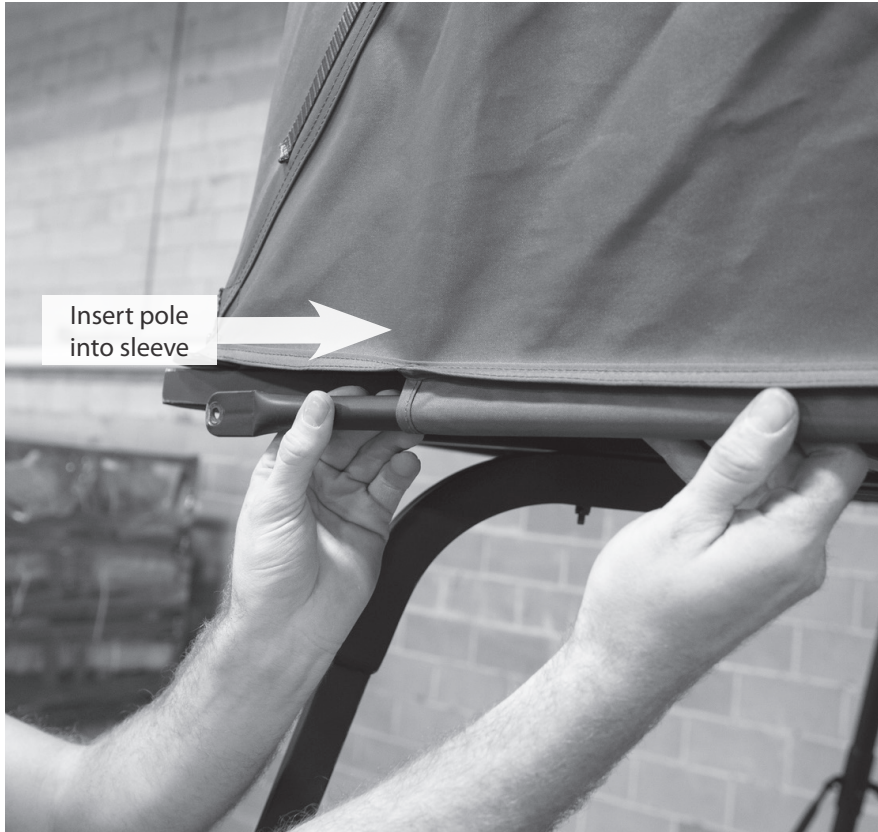
STEP 19



IMPORTANT

- ▲ Reverse the set-up and blind attachment instructions to take the blind/tower down.

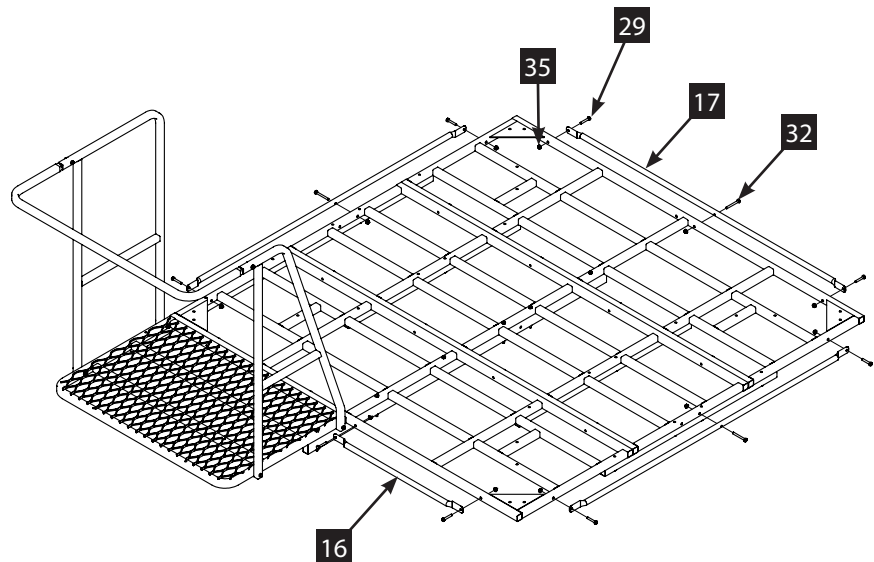
STEP 20



20. To attach the bottom of each wall of the blind to the platform, begin by sliding the three long blind attachment parts (17) and one short blind attachment part (16) through the fabric sleeves on the bottom of each wall. **SEE FIGURE 20.**

21. Bolt the long blind attachment parts (17) to the platform using a 1/4-20 X 1-1/2 IN bolt (29) on each end, a 1/4-20 X 2-1/4 IN bolt (32) in the middle, and 1/4-20 nuts (35). **SEE FIGURE 21.**

Bolt the short blind attachment part (16) to the platform using a 1/4-20 X 1-1/2 IN bolt (29) and 1/4-20 nut (35) on each end. **SEE FIGURE 21.** *Securely tighten all loose hardware at this time.*



*mesh hidden
for clarity*

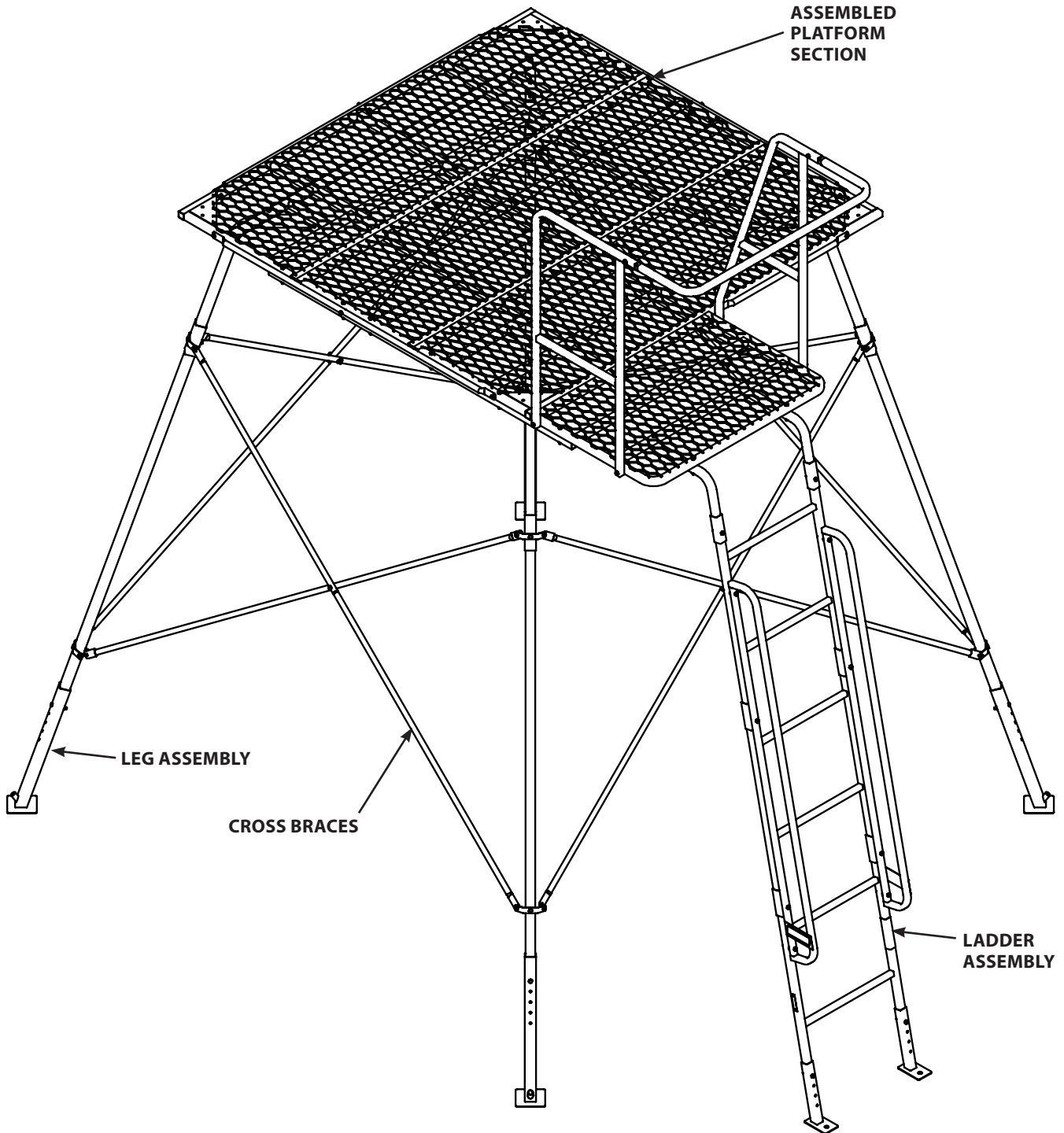
STEP 21

INSPECTION AND MAINTENANCE

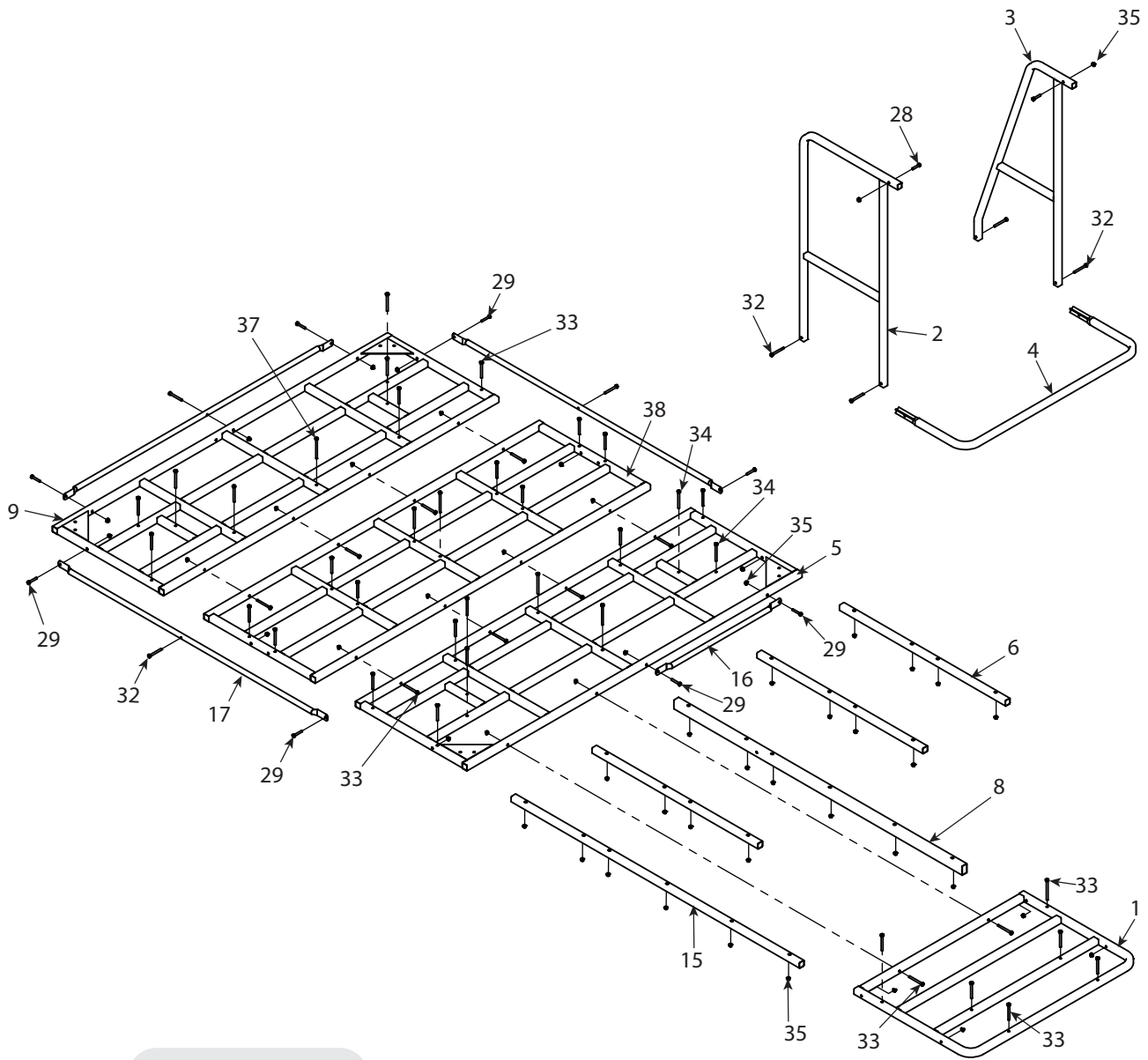
BEFORE EACH USE PERFORM THE FOLLOWING:

- Inspect all webbing, rope, cord, and strap assemblies for wear or damage.
- Inspect cables and/or cable ends for damage or kinking.
- Inspect all hardware and chain components for damage.
- Inspect for any structural damage to product. (If any exists call customer service.)
- Inspect all nut and bolt assemblies to be certain none are loose.
- Inspect for any missing parts.
- Lubricate all pivot and slide together points with powder graphite, petroleum jelly or silicone spray to prevent noise, wear and rust.
- Inspect entire product for any rust, corrosion, cracks, freezing, excessive heat or rotting damage that may effect the safety of your product. Discard any questionable product.
- Inspect entire product for any structural damage - pay close attention to all weld locations. (Return to factory for repair or discard product if any damage is found.)
- Using correct wrenches inspect all nut & bolt assembly locations and snug up any that may be loose. Be careful not to crush tubing when tightening!
- Inspect and check operation of all cables, cable ends, cord, rope, webbing, and strap or chain assemblies. Replace with factory new any item or assembly that shows signs of wear, damage, kinking, or functions incorrectly.
- Inspect seat. Replace any seat with factory new that shows signs of structural damage or wear.
- Inspect all hardware for wear or damage, also be sure you have no missing parts.
- Never modify your stand in any way by making repairs, replacing parts, or altering adding or attaching anything to it except if explicitly authorized in writing by the manufacturer.

FINISHED TOWER

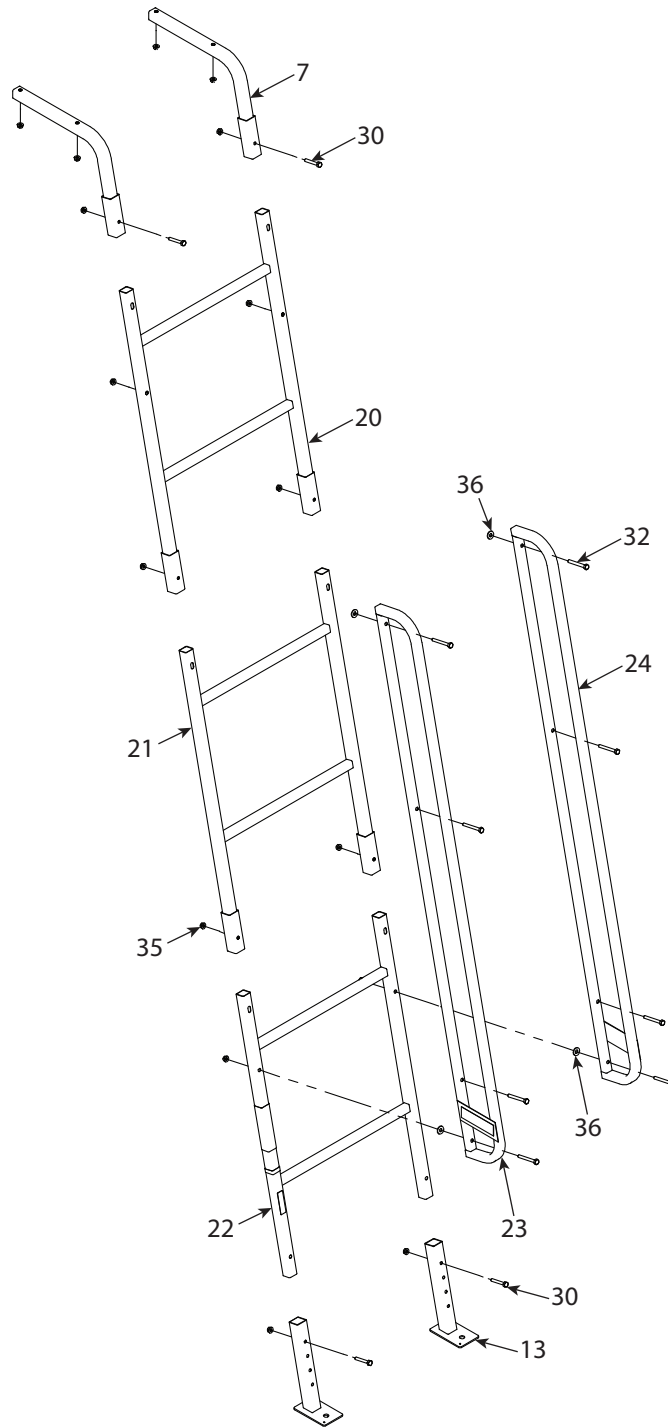


ILLUSTRATED PARTS BREAKDOWN - PLATFORM

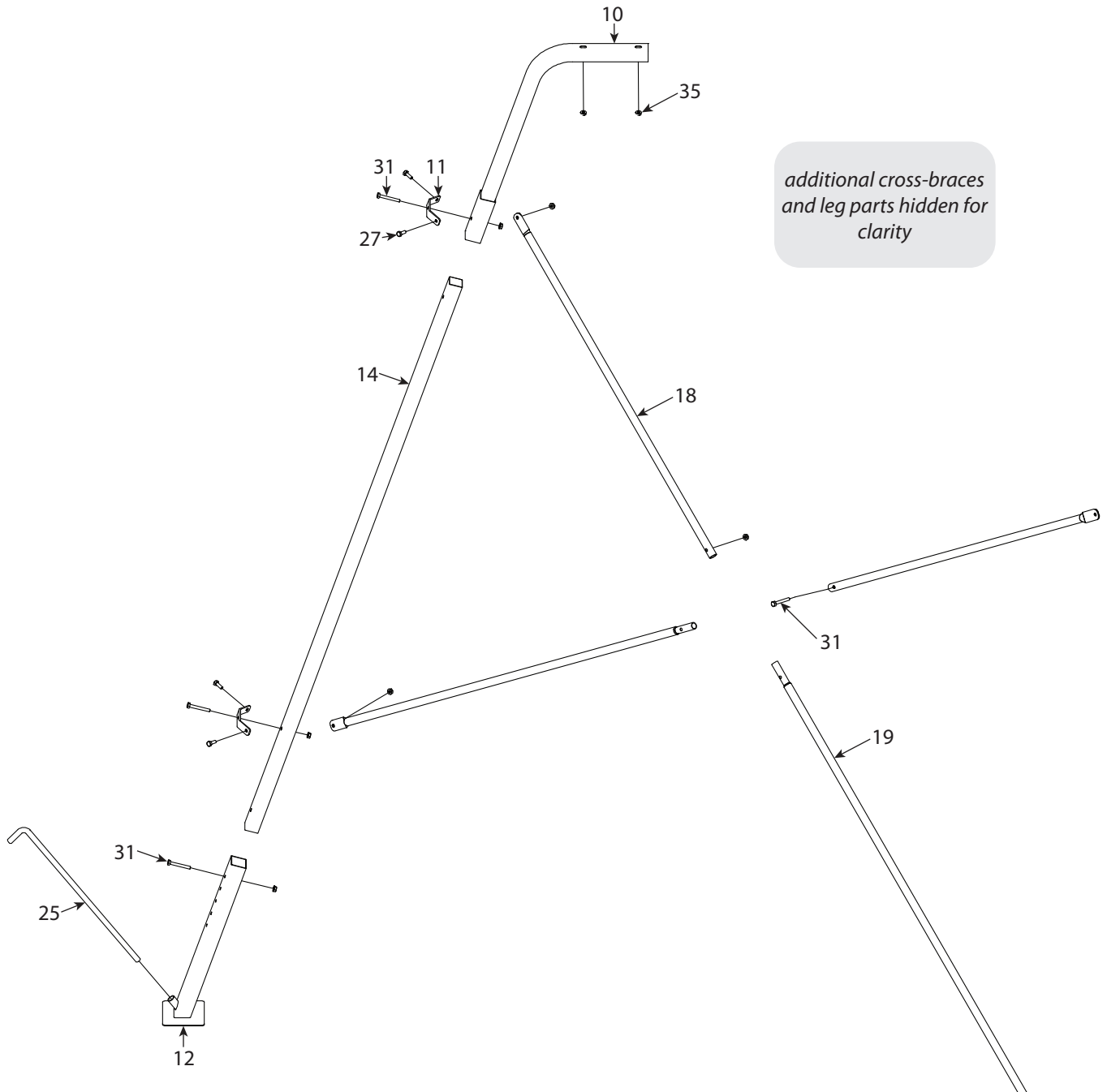


mesh hidden for clarity

ILLUSTRATED PARTS BREAKDOWN - LADDER



ILLUSTRATED PARTS BREAKDOWN - LEGS AND CROSS BRACES



PARTS LIST

ITEM #	PART #	DESCRIPTION	QTY.
1	35522	ENTRY PLATFORM	1
2	35525	ENTRY RAILING STRAIGHT	1
3	35526	ENTRY RAILING ANGLED	1
4	35527	ENTRY RAILING CONNECTOR	1
5	40172	FRONT PLATFORM	1
6	37556	PLATFORM BRACE SHORT	3
7	37557	J TUBE ENTRY PLATFORM	2
8	37569	PLATFORM CENTER BRACE	1
9	40169	REAR PLATFORM	1
10	35512	LEG TO PLATFORM ATTACHMENT	4
11	35511	BRACKET BRACE TO LEG ATTACHMENT	8
12	35499	FOOT ADJUST W/STAKE GUIDE	4
13	35535	LADDER FOOT ADJUSTABLE	2
14	37554	BOTTOM LEG	4
15	38511	LONG BRACE	1
16	38512	BLIND ATTACHMENT TUBE SHORT	1
17	38513	BLIND ATTACHMENT TUBE LONG	3
18	38514	CROSS BRACE ROUND FEMALE	8
19	38515	CROSS BRACE ROUND MALE	8
20	38568	TOP LADDER SECTION	1
21	38569	MIDDLE LADDER SECTION	1
22	38570	BOTTOM LADDER SECTION	1
23	38738	HAND RAIL LADDER LEFT	1
24	38739	HAND RAIL LADDER RIGHT	1
25	24099	STAKE GROUND	4
26	24103	TIE DOWN CABLE	1

ITEM #	PART #	DESCRIPTION	QTY.
27	8930B	BOLT 1/4-20 X 3/4 IN	16
28	8909B	BOLT 1/4-20 X 1-1/4 IN	2
29	48240B	BOLT 1/4-20 X 1-1/2 IN	8
30	48250B	BOLT 1/4-20 X 1-3/4 IN	4
31	48153B	BOLT 1/4-20 X 2 IN	16
32	48271B	BOLT 1/4-20 X 2-1/4 IN	15
33	48270B	BOLT 1/4-20 X 2-1/2 IN	32
34	67540B	BOLT 1/4-20 X 2-3/4 IN	8
35	48752B	NUT 1/4-20	107
36	WN516	PLASTIC WASHER 1.6 MM	4
37	48273B	BOLT 1/4 X 3-1/4 IN	6
38	40171	MIDDLE PLATFORM	1
ITEMS BELOW NOT SHOWN			
39	48650	1/8 IN CABLE CLAMP	4
40	24100	STAKE GROUND AUGER	1
ITEMS USED FOR BLIND ATTACHMENT (NOT SHOWN)			
35	48752B	NUT 1/4-20	8
41	48261B	WASHER 1/4 IN	8
42	63282	BOLT 1/4-20 X 1 IN	8

CAGE™

PERMANENT HUB BLINDS

Rivers Edge® Treestands,
A Division of Ardisam, Inc.
1730 Industrial Avenue, PO Box 755
Cumberland, WI 54829

Phone: 800-345-6007
Fax: 715-822-2124
www.cageblinds.com



*All weights, specifications and features are approximate and are subject to change without notice. Due to continuous product improvements, product images may not be exact. Warning labels in some product images may have been removed for photography purposes only. Props shown in photos not included. Some assembly may be required.