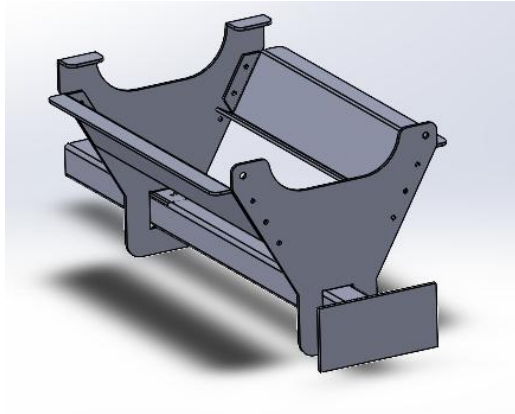




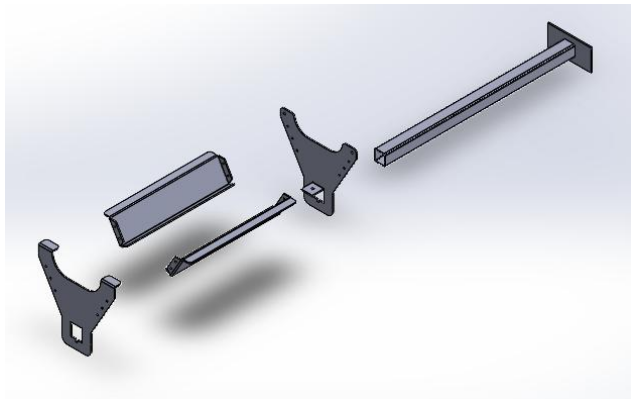
Hitch Attachment Assembly Instructions



www.kahunaoutfitters.com

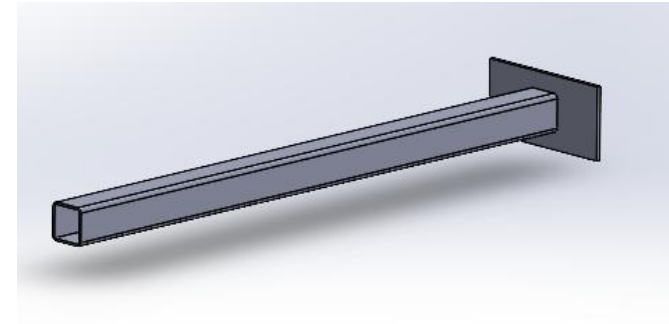
Phone Support: (772) 675-2158

NOTE: Please match parts according to the color coded dots for easier assembly. Do not tighten down bolts until all components are fully assembled.

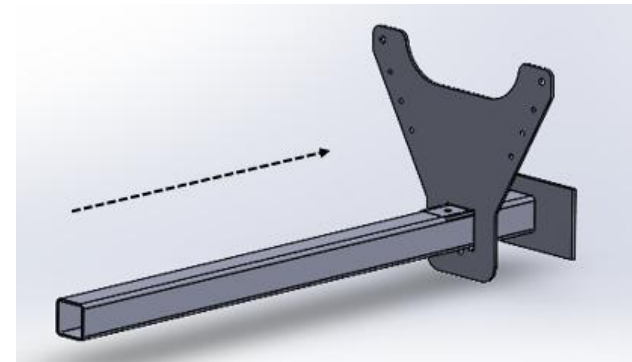


Overview of Exploded Assembly

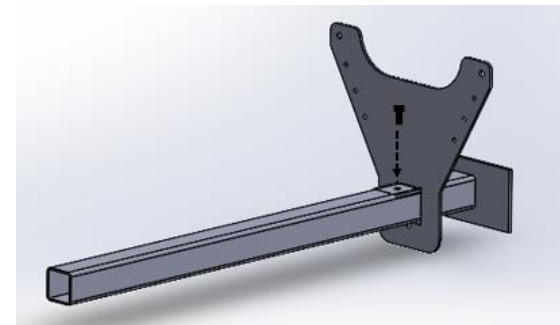
Assembly Instructions:



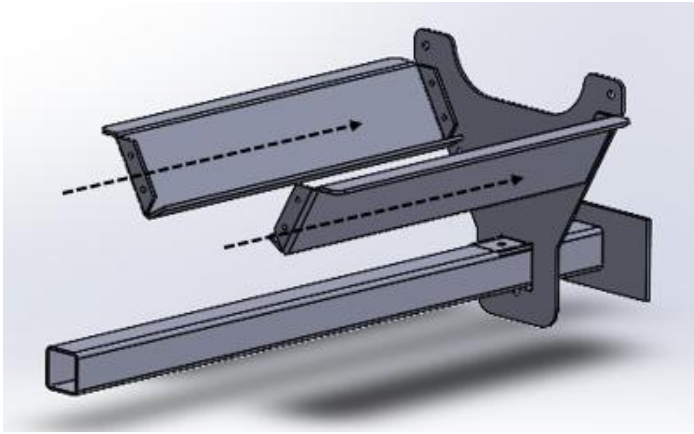
1. Lay out hitch attachment in upright position, with the electronics access hole facing downward.



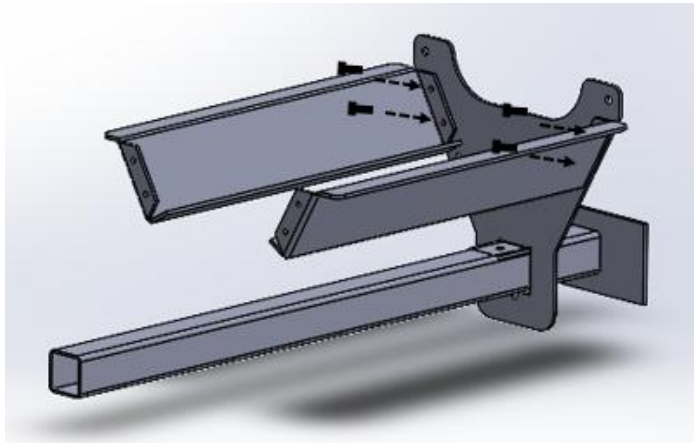
2. Slide 1x Front End Frame onto the hitch attachment



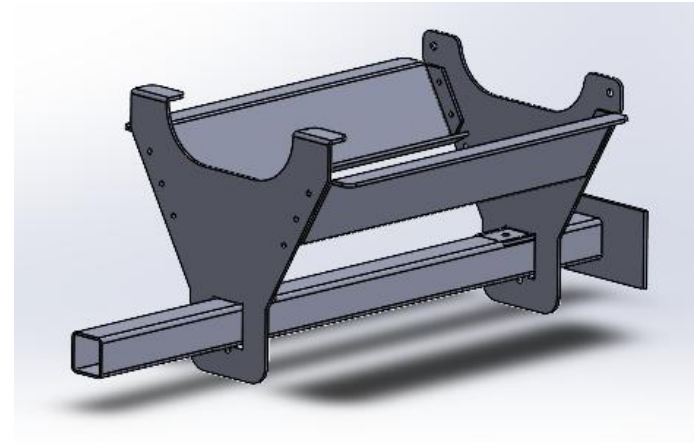
3. Use 1x Bolt to secure the Front End Frame onto the hitch attachment.



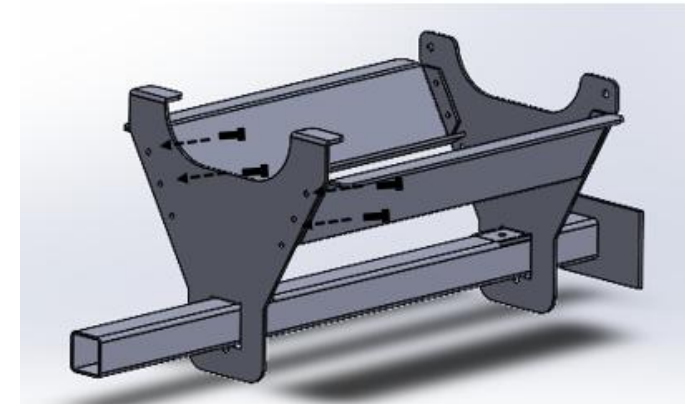
4. Align the 2x Stiffeners to the Front End Frame. For the Small and Large frames, align to the top two holes. For the UV frame, align to the bottom two holes.



5. Insert 4x Bolts, 8x Washers, and 4x Nuts to secure the Stiffeners to the frame.



6. Slide the Back End Frame onto the hitch attachment.



7. Insert 4x Bolts, 8x Washers, and 4x Nuts to secure the Back End Frame to the Stiffeners. Use 1x Bolt to secure Back End Frame onto the hitch attachment.