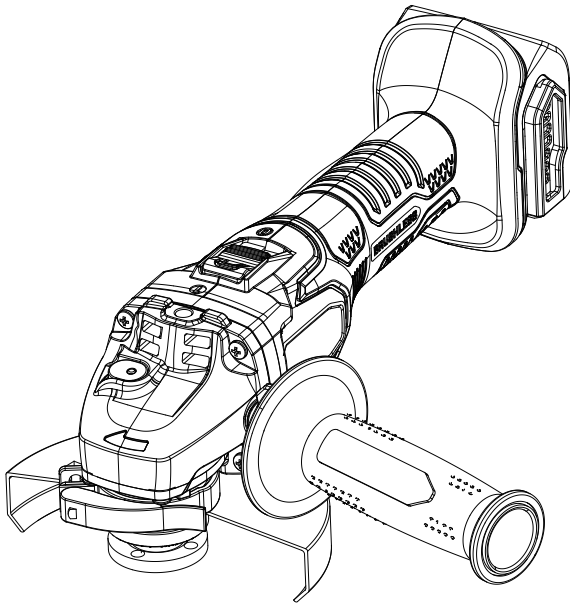




20V MAX LITHIUM ION CORDLESS ANGLE GRINDER(5")

Operator's manual
Model: PAX2125-M2
PAX2125-M2-0



For customer support, please call 1-800-261-3981 or send email to:
Service@senixtools.com
SAVE THIS MANUAL FOR FUTURE REFERENCE.

ORIGINAL INSTRUCTIONS

TABLE OF CONTENTS

SAFETY & INTERNATIONAL SYMBOLS	2
SAFETY INSTRUCTIONS.....	3
KNOW YOUR UNIT.....	13
SPECIFICATIONS*	14
ASSEMBLY.....	15
OPERATION.....	17
MAINTENANCE.....	19
TROUBLESHOOTING.....	20
WARRANTY.....	21

SAFETY & INTERNATIONAL SYMBOLS

Explanation of Safety & international symbols describes safety and international symbols and pictographs that may appear on this product. Read the operator's manual for complete safety, assembly, operating and maintenance and repair information.



Caution / Warning.



Use and store the battery within an temperature below 122°F(50°C).



To reduce the risk of injury, user must read instruction manual.



Do not disassemble, crush, heat above 212°F(100°C); Never expose the battery to microwaves or high pressures.



Wear eye protection.



Keep bystanders a safe distance away from the work area.



Wear a dust mask.



Wear safety footwear.



Indoor use only. Only use battery charger indoors.



Wear protective gloves.



Do not dispose of battery packs in rivers or immerse in water.



Do not dispose of battery packs in fire. They will explode and cause injury.

SAFETY INSTRUCTIONS

GENERAL POWER TOOL SAFETY WARNINGS

WARNING!

Read all safety warnings, instructions, illustrations and specifications, provided with this power tool. Failure to follow all instructions listed below may result in electric shock, fire and/or serious injury.

Save all warnings and instructions for future reference.

The term "power tool" in the warnings refers to your mains-operated (corded) power tool or battery-operated (cordless) power tool.

1) Work Area Safety

- a) **Keep work area clean and well lit. Cluttered or dark areas invite accidents.**
- b) **Do not operate power tools in explosive atmospheres, such as in the presence of flammable liquids, gases or dust.** Power tools create sparks which may ignite the dust or fumes.
- c) **Keep children and bystanders away while operating a power tool.** Distractions can cause you to lose control.

2) Electrical Safety

- a) **Power tool plugs must match the outlet. Never modify the plug in any way. Do not use any adapter plugs with earthed (grounded) power tools.** Unmodified plugs and matching outlets will reduce risk of electric shock.
- b) **Avoid body contact with earthed or grounded surfaces, such as pipes, radiators, ranges and refrigerators.** There is an increased risk of electric shock if your body is earthed or grounded.
- c) **Do not expose power tools to rain or wet conditions.** Water entering a power tool will increase the risk of electric shock.
- d) **Do not abuse the cord. Never use the cord for carrying, pulling or unplugging the power tool. Keep cord away from heat, oil, sharp edges or moving parts.** Damaged or entangled cords increase the risk of electric shock.
- e) **When operating a power tool outdoors, use an extension cord suitable for outdoor use.** Use of a cord suitable for

outdoor use reduces the risk of electric shock.

- f) **If operating a power tool in a damp location is unavoidable, use a residual current device (RCD) protected supply.** Use of an RCD reduces the risk of electric shock.

3) Personal Safety

- a) **Stay alert, watch what you are doing and use common sense when operating a power tool. Do not use a power tool while you are tired or under the influence of drugs, alcohol or medication.** A moment of inattention while operating power tools may result in serious personal injury.
- b) **Use personal protective equipment. Always wear eye protection.** Protective equipment such as a dust mask, non-skid safety shoes, hard hat or hearing protection used for appropriate conditions will reduce personal injuries.
- c) **Prevent unintentional starting. Ensure the switch is in the off-position before connecting to power source and/or battery pack, picking up or carrying the tool.** Carrying power tools

with your finger on the switch or energising power tools that have the switch on invites accidents.

- d) **Remove any adjusting key or wrench before turning the power tool on.** A wrench or a key left attached to a rotating part of the power tool may result in personal injury.
- e) **Do not overreach. Keep proper footing and balance at all times.** This enables better control of the power tool in unexpected situations.
- f) **Dress properly. Do not wear loose clothing or jewellery. Keep your hair and clothing away from moving parts.** Loose clothes, jewellery or long hair can be caught in moving parts.
- g) **If devices are provided for the connection of dust extraction and collection facilities, ensure these are connected and properly used.** Use of dust collection can reduce dust-related hazards.
- h) **Do not let familiarity gained from frequent use of tools allow you to become complacent and ignore tool safety principles.** A careless action can cause severe injury within a fraction of a second.

4) Power Tool Use And Care

- a) **Do not force the power tool.**
Use the correct power tool for your application. The correct power tool will do the job better and safer at the rate for which it was designed.
- b) **Do not use the power tool if the switch does not turn it on and off.** Any power tool that cannot be controlled with the switch is dangerous and must be repaired.
- c) **Disconnect the plug from the power source and/or remove the battery pack, if detachable, from the power tool before making any adjustments, changing accessories, or storing power tools.** Such preventive safety measures reduce the risk of starting the power tool accidentally.
- d) **Store idle power tools out of the reach of children and do not allow persons unfamiliar with the power tool or these instructions to operate the power tool.** Power tools are dangerous in the hands of untrained users.
- e) **Maintain power tools and accessories.** Check for misalignment or binding of

moving parts, breakage of parts and any other condition that may affect the power tool's operation. If damaged, have the power tool repaired before use. Many accidents are caused by poorly maintained power tools.

- f) **Keep cutting tools sharp and clean.** Properly maintained cutting tools with sharp cutting edges are less likely to bind and are easier to control.
- g) **Use the power tool, accessories and tool bits etc. in accordance with these instructions, taking into account the working conditions and the work to be performed.** Use of the power tool for operations different from those intended could result in a hazardous situation.
- h) **Keep handles and grasping surfaces dry, clean and free from oil and grease.** Slippery handles and grasping surfaces do not allow for safe handling and control of the tool in unexpected situations.

5) Battery Tool Use And Care

- a) **Recharge only with the charger specified by the manufacturer.** A charger that is

- suitable for one type of battery pack may create a risk of fire when used with another battery pack.
- b) **Use power tools only with specifically designated battery packs.** Use of any other battery packs may create a risk of injury and fire.
 - c) **When battery pack is not in use, keep it away from other metal objects, like paper clips, coins, keys, nails, screws or other small metal objects, that can make a connection from one terminal to another.** Shorting the battery terminals together may cause burns or a fire.
 - d) **Under abusive conditions, liquid may be ejected from the battery; avoid contact. If contact accidentally occurs, flush with water. If liquid contacts eyes, additionally seek medical help.** Liquid ejected from the battery may cause irritation or burns.
 - e) **Do not use a battery pack or tool that is damaged or modified.** Damaged or modified batteries may exhibit unpredictable behaviour resulting in fire, explosion or risk of injury.
 - f) **Do not expose a battery pack or tool to fire or excessive temperature.** Exposure to fire or temperature above 266°F(130 °C) may cause explosion.
 - g) **Follow all charging instructions and do not charge the battery pack or tool outside the temperature range specified in the instructions.** Charging improperly or at temperatures outside the specified range may damage the battery and increase the risk of fire.
- ## 6) Service
- a) **Have your power tool serviced by a qualified repair person using only identical replacement parts.** This will ensure that the safety of the power tool is maintained.
 - b) **Never service damaged battery packs.** Service of battery packs should only be performed by the manufacturer or authorized service providers.
- ## SAFETY WARNINGS COMMON FOR GRINDING OR ABRASIVE CUTTING-OFF OPERATIONS
- a) **This power tool is intended to function as a grinder or cut-off**

- tool. Read all safety warnings, instructions, illustrations and specifications provided with this power tool.** Failure to follow all instructions listed below may result in electric shock, fire and/or serious injury.
- b) **Operations such as sanding, wire brushing, polishing are not recommended to be performed with this power tool.** Operations for which the power tool was not designed may create a hazard and cause personal injury.
 - c) **Do not use accessories which are not specifically designed and recommended by the tool manufacturer.** Just because the accessory can be attached to your power tool, it does not assure safe operation.
 - d) **The rated speed of the accessory must be at least equal to the maximum speed marked on the power tool.** Accessories running faster than their rated speed can break and fly apart.
 - e) **The outside diameter and the thickness of your accessory must be within the capacity rating of your power tool.**
 - f) **Threaded mounting of accessories must match the grinder spindle thread. For accessories mounted by flanges, the arbour hole of the accessory must fit the locating diameter of the flange.** Accessories that do not match the mounting hardware of the power tool will run out of balance, vibrate excessively and may cause loss of control.
 - g) **Do not use a damaged accessory. Before each use inspect the accessory such as abrasive wheels for chips and cracks, backing pad for cracks, tear or excess wear, wire brush for loose or cracked wires. If power tool or accessory is dropped, inspect for damage or install an undamaged accessory. After inspecting and installing an accessory, position yourself and bystanders away from the plane of the rotating accessory and run the power tool at maximum no-load speed for one minute.** Damaged accessories will

normally break apart during this test time.

- h) **Wear personal protective equipment. Depending on application, use face shield, safety goggles or safety glasses. As appropriate, wear dust mask, hearing protectors, gloves and workshop apron capable of stopping small abrasive or workpiece fragments. The eye protection must be capable of stopping flying debris generated by various operations.** The dust mask or respirator must be capable of filtrating particles generated by your operation. Prolonged exposure to high intensity noise may cause hearing loss.
- i) **Keep bystanders a safe distance away from work area. Anyone entering the work area must wear personal protective equipment.** Fragments of workpiece or of a broken accessory may fly away and cause injury beyond immediate area of operation.
- j) **Hold the power tool by insulated gripping surfaces only, when performing an operation where the cutting tool may contact hidden wiring.** Contact with a "live" wire will also make exposed metal parts of the power tool "live" and could give the operator an electric shock.
- k) **Position the cord clear of the spinning accessory.** If you lose control, the cord may be cut or snagged and your hand or arm may be pulled into the spinning accessory.
- m) **Never lay the power tool down until the accessory has come to a complete stop.** The spinning accessory may grab the surface and pull the power tool out of your control.
- m) **Do not run the power tool while carrying it at your side.** Accidental contact with the spinning accessory could snag your clothing, pulling the accessory into your body.
- n) **Regularly clean the power tool's air vents.** The motor's fan will draw the dust inside the housing and excessive accumulation of powdered metal may cause electrical hazards.
- o) **Do not operate the power tool near flammable materials.** Sparks could ignite these materials.

- p) **Do not use accessories that require liquid coolants.** Using water or other liquid coolants may result in electrocution or shock.

KICKBACK AND RELATED WARNINGS

Kickback is a sudden reaction to a pinched or snagged rotating wheel, backing pad, brush or any other accessory. Pinching or snagging causes rapid stalling of the rotating accessory which in turn causes the uncontrolled power tool to be forced in the direction opposite of the accessory's rotation at the point of the binding.

For example, if an abrasive wheel is snagged or pinched by the workpiece, the edge of the wheel that is entering into the pinch point can dig into the surface of the material causing the wheel to climb out or kick out. The wheel may either jump toward or away from the operator, depending on direction of the wheel's movement at the point of pinching. Abrasive wheels may also break under these conditions.

Kickback is the result of power tool misuse and/or incorrect operating procedures or conditions and can be avoided by taking proper

precautions as given below.

- a) **Maintain a firm grip on the power tool and position your body and arm to allow you to resist kickback forces. Always use auxiliary handle, if provided, for maximum control over kickback or torque reaction during start-up.** The operator can control torque reactions or kickback forces, if proper precautions are taken.
- b) **Never place your hand near the rotating accessory.** Accessory may kickback over your hand.
- c) **Do not position your body in the area where power tool will move if kickback occurs.** Kickback will propel the tool in direction opposite to the wheel's movement at the point of snagging.
- d) **Use special care when working corners, sharp edges etc. Avoid bouncing and snagging the accessory.** Corners, sharp edges or bouncing have a tendency to snag the rotating accessory and cause loss of control or kickback.
- e) **Do not attach a saw chain**

woodcarving blade or toothed saw blade. Such blades create frequent kickback and loss of control.

SAFETY WARNINGS SPECIFIC FOR GRINDING AND ABRASIVE CUTTING OFF OPERATIONS

- a) **Use only wheel types that are recommended for your power tool and the specific guard designed for the selected wheel.** Wheels for which the power tool was not designed cannot be adequately guarded and are unsafe.
- b) **The guard must be securely attached to the power tool and positioned for maximum safety, so the least amount of wheel is exposed towards the operator.** The guard helps to protect the operator from broken wheel fragments, accidental contact with wheel and sparks that could ignite clothing.
- c) **Wheels must be used only for recommended applications. For example: do not grind with the side of cut-off wheel.** Abrasive cut-off wheels are intended for peripheral grinding, side forces applied to these wheels may cause them to

shatter.

- d) **Always use undamaged wheel flanges that are of correct size and shape for your selected wheel.** Proper wheel flanges support the wheel thus reducing the possibility of wheel breakage. Flanges for cut-off wheels may be different from grinding wheel flanges.
- e) **Do not use worn down wheels from larger power tools.** Wheel intended for larger power tool is not suitable for the higher speed of a smaller tool and may burst.

SAFETY WARNING FOR BATTERY PACK AND BATTERY CHARGER

- Recharge only with the charger specified by the manufacturer. A charger that is suitable for one type of battery pack may create a risk of fire when used with another battery pack.
- Use appliances only with specifically designated battery packs. Use of any other battery packs may create a risk of injury and fire.

WARNING!

Use only the following type and size battery: B25X2/B50X2.

- When battery pack is not in use, keep it away from other metal objects, like paper clips, coins, keys, nails, screws or other small metal objects, that can make a connection from one terminal to another. Shorting the battery terminals together may cause burns or a fire.
- Under abusive conditions, liquid may be ejected from the battery; avoid contact. If contact accidentally occurs, flush with water. If liquid contacts eyes, additionally seek medical help. Liquid ejected from the battery may cause irritation or burns. (This advice is considered correct for conventional NiMh, NiCd, lead acid and lithium-ion cell types. If this advice is incorrect for a cell design that differs from these, then the correct advice may be substituted.)
- Do not use a battery pack or appliance that is damaged or modified. Damaged or modified batteries may exhibit unpredictable behavior resulting in fire, explosion or risk of injury.
- Do not expose a battery pack or appliance to fire or excessive temperature. Exposure to fire or temperature above 266°F(130°C) may cause explosion.
- Follow all charging instructions and do not charge the battery pack or appliance outside of the temperature range specified in the instructions. Charging improperly or at temperatures outside of the specified range may damage the battery and increase the risk of fire.
- Do not modify or attempt to repair the appliance or the battery pack (as applicable) except as indicated in the instructions for use and care.

VIBRATION + NOISE REDUCTION

To reduce the impact of noise and vibration emission, limit the time of operation, use low-vibration and low-noise operating modes as well as wear personal protective equipment. Take the following points into account to minimise the vibration and noise exposure risks.

- Only use the product as intended by its design and these instructions.
- Ensure that the product is in good condition and well maintained.
- Use correct attachments for the

product and ensure they are in good condition.

- Keep tight grip on the handles/ grip surface.
- Maintain this product in accordance with these instructions and keep it well lubricated (where appropriate).
- Plan your work schedule to spread any high vibration tool use across a longer period of time.

EMERGENCY

Familiarize yourself with the use of this product by means of this instruction manual. Memorize the safety directions and follow them to the letter. This will help to prevent risks and hazards.

- Always be alert when using this product, so that you can recognize and handle risks early. Fast intervention can prevent serious injury and damage to property.
- Switch off the product and remove the battery pack if there are malfunctions. Have the product checked by a qualified professional and repaired, if necessary, before you operate it again.

KNOW YOUR UNIT

APPLICATIONS

Model: PAX2125-M2

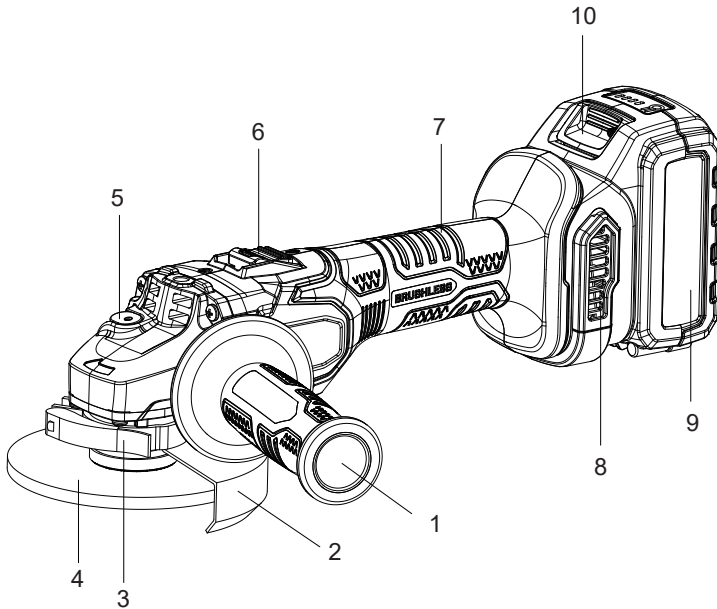
As an angle grinder:

Cutting and grinding metal, concrete or tiles.





NOTE:

PAX2125-M2-0 does not include charger and battery pack.



- | | |
|-------------------------|-------------------|
| 1. Auxiliary Handle | 6. On/off Switch |
| 2. Guard | 7. Handle |
| 3. Guard Clamping Lever | 8. Air Vent |
| 4. Grinding Wheel | 9. Battery Pack |
| 5. Spindle Lock | 10. Unlock Button |

SPECIFICATIONS*

Model	PAX2125-M2	
Rated voltage	18 V d.c.	
Rated speed	8500 rpm	
Max. Disc Diameter	5 " (125mm)	
Max. Disc Thickness	1/4 "	
Spindle thread	5/8 "	
Weight (without battery)	3.7 lbs	
Battery model	B25X2	B50X2
Rated voltage	18V 	18V 
Rated capacity	2.5Ah	5.0Ah
Weight	0.74lbs	1.43lbs
Charger model	CHX2	
Rated input	100-240 V ~ 50/60 Hz	
Rated output	21V, 2000 mA	
Charging time (with 2.5 Ah battery)	85 mins	
Charging time (with 5.0 Ah battery)	130 mins	
Protection class(for charger)	□ / II	
Weight	0.75 lbs	

Model	PAX2125-M2-0
Rated voltage	18 V d.c.
Rated speed	8500 rpm
Max. Disc Diameter	5 " (125mm)
Max. Disc Thickness	1/4 "
Spindle thread	5/8 "
Weight (without battery)	3.7 lbs
Battery model	Not included
Charger model	Not included

ASSEMBLY

1. Unpack all parts and lay them on a flat, stable surface:
2. Remove all packing materials and shipping devices, if applicable.
3. The scope of delivery varies depending on the country and purchased variant:
Model of PAX2125-M2

- Angle grinder x1
- Auxiliary handle x1
- Guard x1
- Grinding wheel x1
- Battery pack x1
- Charger x1
- Instruction manual x1

4. If you find that parts are missing or show damage do not use the product but contact your dealer. Using an incomplete or damaged product represents a hazard to people and property.
5. Ensure that you have all the accessories and tools needed for assembly and operation. This also includes suitable personal protective equipment.



NOTE:

PAX2125-M2 includes charger and battery pack.
PAX2125-M2-0 does not include charger and battery pack.



WARNING:



Wear protective gloves for this assembly work and always lay the product on a flat and stable surface while assembling.



Follow the assembly instructions step-by-step and use the pictures provided as a visual guide to easily assemble the product!

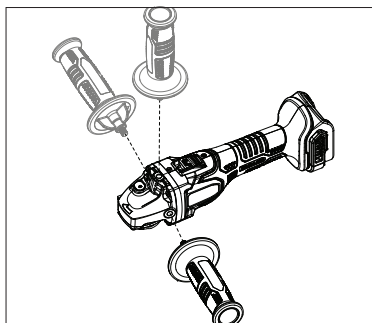
Do not insert the battery pack before the power tool is completely assembled or adjusted!

AUXILIARY HANDLE



WARNING:

Always work with auxiliary handle attached to prevent loss of control and possible serious injury.



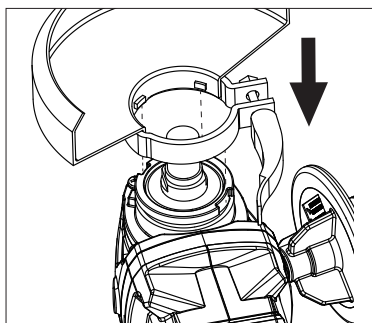
Manually screw the auxiliary handle securely in the left, centre or right threaded hole. Take working requirement or using habit into account for best performance.

GUARD



WARNING:

Attach guard specifically for the work to be performed. The supplied guard is only for grinding. Do not use it for cutting.



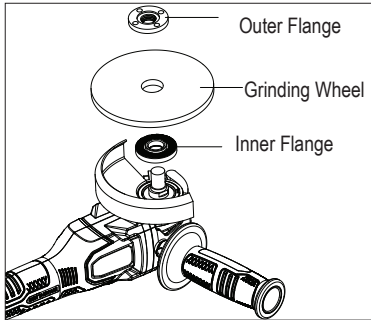
1. Open the guard clamping lever. Align and seat the guard on the spindle.
2. Turn the guard clockwise to where it always protect user from being hurt.
3. Close the guard clamping lever. If necessary, further tighten the screw to improve its clamping capacity.

GRINDING WHEEL



WARNING:

To reduce the risk of injury, use only accessories rated at least equal to the maximum speed marked on the tool.



1. Fit the inner flange on spindle.
2. Lay the grinding wheel flat on the inner flange.
3. Attach the convex side of outer flange to the grinding wheel and secure it with assistance of wrench while pressing the spindle lock.



NOTE:

For cutting, match concave surface to the cutting wheel.

4. Remove wrench and release the spindle lock when the outer flange get enough tightened.



WARNING:

Never press the spindle lock when the spindle is running.

BATTERY PACK

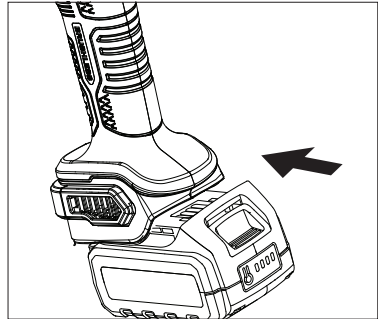


WARNING:

Make sure the on/off switch is off before mounting the battery pack.

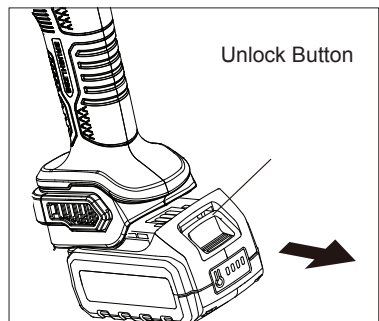
To install:

Align and slide the battery pack to the docking port until it is locked in place.



To remove:

Press the unlock button on battery pack and slide the battery pack out.



OPERATION



WARNING:

Always wear eye, hearing, hand protection to reduce the risk of injury when operating the tool. Keep all parts of your body away from the rotating wheel.



WARNING:

Sparks generated when grinding metal. Take care that no combustible materials presented in working area.

SWITCHING ON/OFF



WARNING:

Only start the tool when its wheel is not contacting with workpiece.

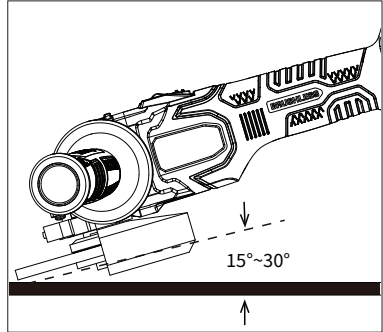
1. Turn the on/off switch to "1". The tool will accelerate gradually until it reaches a full speed.
2. Turn the on/off switch to "0". The tool will slow down until it comes to a complete stop.

GENERAL OPERATION

1. Test the machine for a minute at the maximum speed before applying to workpieces.
2. Abandon accessories suffered from a drop before. Out-of-balance or damaged accessories can mar workpiece, damage the tool, and cause stress that may cause accessory failure.
3. Always guide the grinder with both hands. Grip the main handle with one hand and another on the auxiliary handle.
4. Use cutting wheel for cutting and use grinding wheel for grinding.
5. Fit a proper guard for the purpose of cutting or grinding to provide maximum protection. Use unsuitable guard during operation will cause serious injury.
6. Secure workpiece in a vise or clamp to a workbench to ensure a safe operation.
7. Allow accessories to come to full speed before start.
8. Properly apply the pressure and control the contact between accessory and workpiece.
9. Lift the grinder away from the workpiece before turning off the grinder.
10. Turn off the tool and make sure it comes to a complete stop before laying it down.

GRINDING

1. Fit a grinding wheel and a guard for grinding recommended by the manufacturer.
2. Position the tool at an angel of 15° to 30° for a best working results.



3. Do not over force the tool. Slightly and evenly press down and lead the machine forward or backward.

CUTTING

1. Replace a cutting wheel and a wheel guard for cutting recommended by manufacturer.
2. Insert the cutting wheel vertically into the surface of objects.
3. Do not give any lateral pressure to the wheel or sway from side to side.
4. Begin cutting with minimum cross-sections.
5. Only work against the run of the wheel.
6. When the wheel become very hot and sparks flash around, stop cutting and cool down at no-load speed for several minutes.

HOW TO CHARGE THE BATTERY PACK



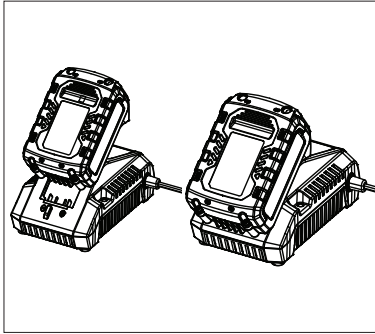
WARNING:

This Lithium-Ion battery pack is shipped partially charged. Fully charge the battery pack before using it for the first time.



NOTE:

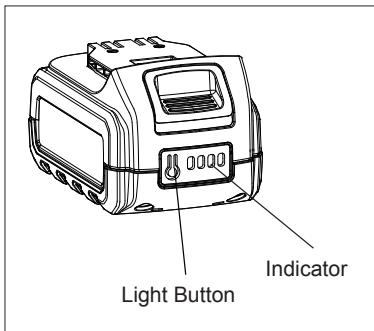
Charging batteries at a ambient temperature of 32°F(0°C)-104°F(40°C).



1. Charge the Lithium-Ion battery pack only with the correct charger.
2. Connect the charger to a power supply, the light indicator of the charger turns red.
3. Align the raised ribs of the battery pack with the slot in the charger.
4. Insert the battery pack into the charger, the light indicator of the charger turns green and it flashes.
5. The charger will communicate with the battery pack to evaluate the condition of the battery pack.
6. It is fully charged that the four lights of the battery turn on. Disconnect the power supply from the charger. Remove battery pack from the charger.

CHARGING INDICATOR

Press the light button on the battery pack to check whether it needs to charge.



Light Indicator			Status
Lighted	Off	Blinking	
			The battery is at full capacity.
			The battery is at 75% capacity.
			The battery is at 50% capacity and requires charging.
			The battery is at 25% capacity and requires charging soon.
			The battery is less than 5% capacity and requires charging immediately.



WARNING:

Malfunctions may occur when the four lights blinking in turns.

OVERHEAT PROTECTION

When the tool/battery is overheated, the tool stops automatically. In this situation, let the power tool/battery cool before turning the tool on again.

OVERDISCHARGE PROTECTION

When the battery capacity is not enough, the tool stops automatically. In this case, remove the battery from the tool and charge the battery.

MAINTENANCE



WARNING:

Only perform cleaning and maintenance work according to these instructions!

All further works must be performed by a qualified specialist!



WARNING:

TO PREVENT SERIOUS INJURY FROM ACCIDENTAL OPERATION:

Make sure the on/off switch is turned to "0" and battery pack is removed before performing any procedure in this section.

TO PREVENT SERIOUS INJURY FROM TOOL FAILURE:

Do not use damaged equipments.

If abnormal noise or vibration occurs, have the problem corrected before further use.

There are no user-serviceable parts in your power tool. If any of following condition are found, stop using it and send it to the authorized service center for repair.

- leaking, swollen, or cracked battery pack
- loose hardware
- misalignment or binding of accessories.
- cracked or broken parts.
- any other condition that may affect its safe operation.

CLEANING

1. Clean dust and debris from air vents.
2. Keep handle clean, dry and free of oil or grease.
3. Wipe debris and particles off the wheel.
4. Remove stubborn dirt from housing with high pressure air (max. 3 bar).



NOTE:

Do not use chemical, alkaline, abrasive or other aggressive detergents or disinfectants to clean this product as they might be harmful to its surfaces.

TRANSPORTATION

1. Only carry by its handle.
2. Protect from any heavy impact or strong vibrations which may occur during transportation in vehicles.
3. Secure to prevent it from slipping or falling over.

STORAGE

1. Clean thoroughly as described above.
2. Store in a dark, dry, frost-free and well-ventilated area that is inaccessible to children. The ideal storage temperature is between 50°F(10°C) and 86°F(30°C).
3. Use original package for storage or cover with a suitable cloth to protect it against dust.



NOTE:

To prolong battery life, store the battery pack separately from the tool in a 30%-50% charged condition. It's recommended to have your battery pack charged at least every 6 months.

DISPOSAL

Waste product should not be disposed of with household waste. Please recycle where facilities exist. Check with your local authority or retailer for recycling advice.

Debris or dust may produced by the tool during operation, users should clean these objects to protect environment.



Electrical products should not be discarded with household products. Used electrical products must be collected separately and disposed of at collection points provided for this purpose. Talk with your local authorities or dealer for advice on recycling.

TROUBLESHOOTING

Suspected malfunctions are often due to causes that the users can fix themselves. Therefore, check the product using this section. In most cases the problem can be solved quickly.

PROBLEM	POSSIBLE CAUSE	SOLUTION
Product does not start	Direction selector at centre lock position	Push direction selector to proper side
	Battery pack is not properly attached	Attach properly
	Battery pack is completely discharged	Charge the battery pack
Product does not reach full power	Battery power is too low	Charge the battery pack
	Battery pack reaches its life cycle	Replace with new battery pack
Unsatisfactory result	Drill/driver bit is dull/damaged	Replace with new one
	Driver bit/ socket bit not suitable for intended operation	Use proper one

WARRANTY

LIMITED WARRANTY

5-year limited warranty on all Senix X2 series outdoor battery powered equipment. 3-year limited warranty on all Senix X2 batteries and chargers.*

FOR FIVE YEARS from the original date of retail purchase this Senix product is warranted against defects in materials or workmanship on power tools. Defective product will receive free repair.*

FOR THREE YEARS from the original date of retail purchase this Senix product is warranted against defects in materials or workmanship on batteries and chargers. Defective product will receive free repair.*

This warranty does not cover normal wear of parts and components such as cutting chain, line or blades nor does this warranty cover product transportation cost for warranty or service.

Warranty is subject to the following conditions:

- Warranty applies to the original purchaser at retail and is not transferrable*
- Warranty Registration at www.senixtools.com
- The tool has not been misused, abused, neglected, altered, modified or repaired by anyone other than an authorized service center
- Only genuine Senix accessories have been used with or on this product
- The tool has been subjected to normal wear and tear
- The tool has not been used for trade or professional purposes
- The tool has not been used for rental purposes
- This warranty only covers defects arising under normal usage and does not cover any malfunction, failure or defect resulting from misuse, abuse (including overloading the product, exposure to water or rain) accidents, neglect or lack of proper installation and improper maintenance or storage.

To locate your nearest Senix service provider call toll free at 800-261-3981 or email us at service@senixtools.com.

Additional Limitations

Any implied warranty granted under state law, including warranties of merchantability or fitness for a particular purpose, are limited to three years from the date of purchase on power tools and chargers and seven years on batteries. The manufacturer is not responsible for direct, indirect, incidental or consequential damages. Some states and provinces do not allow limitations on how long an implied warranty lasts and/or do not allow the exclusion or limitation of incidental damages, so the above limitations and exclusions may not apply to you. This warranty gives you specific legal rights, and you may also have other rights which vary from state to state or province to province.

The YAT USA declines any responsibility in regard to civil liability arising from abusive use or not in conformity with proper use and maintenance of the machine as described in the operator's manual.

YAT USA is not responsible for direct, indirect, incidental or consequential damages.

After the purchase, the manufacturer recommends proper maintenance of the machine and to read the operator's manual before using the machine.

*Original purchase receipt may be required for proof of purchase

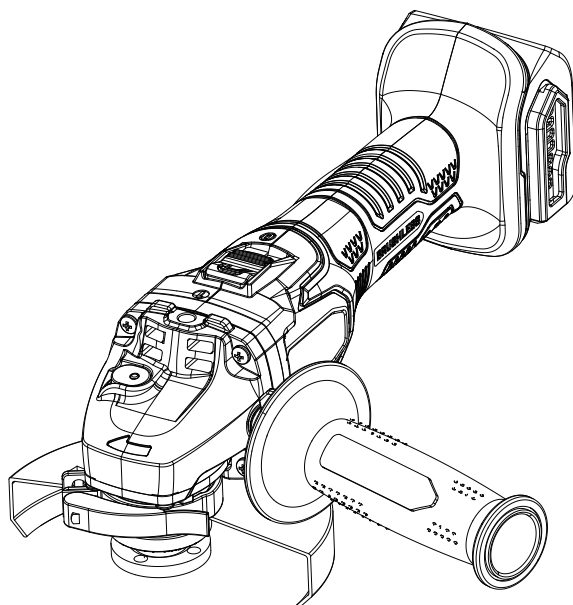
For customer service contact us toll free at 1-800-261-3981 or Senixtools.com.

10506 Bryton Corporate Center Dr, #500 Huntersville, NC 28078



AMOLADORA ANGULAR SIN CABLE CON IONES DE LITIO DE 20V MÁX(5")

Manual del operador
Modelo: PAX2125-M2
PAX2125-M2-0



Para el servicio de atención al cliente, llame al 1-800-261-3981 o envíe un email a:
Service@senixtools.com
GUARDE ESTE MANUAL PARA FUTURAS CONSULTAS.

INSTRUCCIONES ORIGINALES

ÍNDICE

SÍMBOLOS INTERNACIONALES Y DE SEGURIDAD.....	23
INSTRUCCIONES DE SEGURIDAD.....	24
CONOZCA SU UNIDAD.....	35
ESPECIFICACIONES*.....	36
ENSAMBLAJE.....	37
OPERACIÓN.....	39
MANTENIMIENTO.....	42
SOLUCIÓN DE PROBLEMAS.....	43
GARANTÍA.....	44

SEGURIDAD Y SÍMBOLOS INTERNACIONALES

Este manual del operador describe la seguridad y los símbolos y pictogramas internacionales que pueden aparecer en este producto. Lea el manual del operador para obtener información completa sobre seguridad, montaje, operación y mantenimiento y reparación.



Precaución / Advertencia.



Use y guarde la batería a una temperatura inferior a los 122 °F (50 °C).



Para reducir el riesgo de lesiones, el usuario debe leer y entender el manual de instrucciones.



No desensamble, aplaste o caliente por encima de los 212 °F (100 °C). Nunca exponga la batería a microondas o altas presiones.



Use protección para los ojos.



Mantenga a los transeúntes a una distancia segura de la zona de trabajo.



Use una mascarilla antipolvo.



Para uso solo en interiores. Utilice el cargador de batería únicamente en interiores.



Use calzado de seguridad.



Use guantes de protección.



No deseche los paquetes de baterías en los ríos ni los sumerja en agua.



No arroje los paquetes de baterías al fuego. Explotarán y causarán lesiones.

INSTRUCCIONES DE SEGURIDAD

ADVERTENCIAS DE SEGURIDAD GENERALES PARA HERRAMIENTAS ELÉCTRICAS



¡ADVERTENCIA!

Lea todas las advertencias de seguridad, instrucciones, ilustraciones y especificaciones que se ofrecen con esta herramienta eléctrica. Si no se cumple con todas las instrucciones enumeradas a continuación, se pueden provocar descargas eléctricas, incendios y/o lesiones personales graves.

Guarde todas las advertencias e instrucciones para su consulta futura.

El término "herramienta eléctrica" que aparece en las advertencias se refiere a sus herramientas alimentadas por la red eléctrica (con cable) o a sus herramientas alimentadas por batería (sin cable o inalámbricas).

1) Seguridad en el área de trabajo

- a) **Conserve el área de trabajo limpia y bien iluminada. Las áreas desordenadas invitan a los accidentes.**
- b) **No opere herramientas eléctricas en ambientes explosivos, como ante la presencia de líquidos, gases o polvos inflamables.** Las herramientas

eléctricas generan chispas que pueden hacer arder el polvo o los vapores.

- c) **Mantenga a los niños y espectadores alejados mientras esté operando una herramienta eléctrica.** Las distracciones pueden hacer que pierda el control.

2) Seguridad eléctrica

- a) **Los enchufes de las herramientas eléctricas deben coincidir con el tomacorriente. Nunca modifique el enchufe de ninguna manera. No utilice enchufes adaptadores con herramientas eléctricas conectadas a tierra.** Los enchufes sin modificar y los tomacorrientes coincidentes reducirán el riesgo de descarga eléctrica.
- b) **Evite el contacto con superficies puestas a tierra, como tuberías, radiadores, cocinas o refrigeradores.** Hay un riesgo mayor de descarga eléctrica si su cuerpo está a tierra.
- c) **No exponga las herramientas eléctricas a la lluvia o a condiciones húmedas.** El agua que ingresa a una herramienta eléctrica aumentará el riesgo de descarga eléctrica.

- d) **No maltrate el cable. Nunca use el cable para transportar, desenchufar o tirar de la herramienta eléctrica. Mantenga el cable alejado del calor, el aceite, los bordes afilados o las piezas móviles.** Los cables dañados o enredados aumentan el riesgo de descarga eléctrica.
- e) **Cuando opere una herramienta eléctrica al aire libre, use un cable de extensión para uso en exteriores.** El uso de un cable para exteriores reduce el riesgo de descarga eléctrica.
- f) **Si no puede evitar operar una herramienta eléctrica en un lugar húmedo, use un suministro eléctrico protegido mediante un dispositivo de corriente residual (DCR)** El uso de un DCR reduce el riesgo de descarga eléctrica.
- 3) Seguridad personal**
- a) **Manténgase alerta, preste atención a lo que está haciendo y use el sentido común cuando opere una herramienta eléctrica. No utilice una herramienta eléctrica cuando esté cansado o bajo la influencia de drogas, alcohol o medicamentos.** Un momento de descuido durante la operación de herramientas eléctricas puede provocar una lesión personal seria.
- b) **Use los equipos de protección personal. Use siempre protección para los ojos.** Los equipos de protección que utilice para las condiciones adecuadas, como mascarillas antipolvo, zapatos de seguridad antideslizantes o protección auditiva, reducirán las lesiones personales.
- c) **Evite arranques accidentales. Asegúrese que el interruptor esté en la posición de OFF (apagado) antes de conectar la fuente de energía y/o el bloque de baterías, recoger la herramienta o transportarla.** Transportar herramientas eléctricas con el dedo en el interruptor o energizar herramientas eléctricas con el interruptor encendido, invita a accidentes.
- d) **Retire cualquier llave de ajuste antes de encender la herramienta eléctrica.** Una llave que se haya dejado fijada a una parte giratoria de la herramienta eléctrica puede dar como resultado una lesión personal.
- e) **No extienda el cuerpo en exceso. Mantenga su posición de pie y su equilibrio en todo mo-**

mento. Esto permite un mejor control de la herramienta eléctrica en situaciones inesperadas.

f) **Vístase correctamente. No use ropa suelta ni joyas. Mantenga su cabello y ropa alejados de las piezas móviles.** La ropa suelta, las joyas o el cabello largo pueden atascarse en las piezas móviles.

g) **Si se suministran dispositivos para la conexión de instalaciones de extracción y colección de polvo, asegúrese que estén conectadas y que se usen correctamente.** El uso del colector de polvo puede reducir los peligros relacionados con el polvo.

h) **Cuide que por la familiaridad obtenida con el uso frecuente de herramientas no le haga volverse complaciente y termine ignorando los principios de seguridad de la herramienta.** Una acción descuidada puede llegar a causar lesiones severas en una fracción de segundo.

4) Uso y cuidado de la herramienta eléctrica

a) **No fuerce la herramienta eléctrica. Use la herramienta eléctrica para su aplicación.**

La herramienta eléctrica correcta hará mejor y más seguro el trabajo a la velocidad para la que ha sido diseñada.

b) **NO use la herramienta eléctrica si el interruptor no lo enciende y apaga.** Cualquier herramienta eléctrica que no pueda ser controlada con el interruptor es peligrosa y debe repararse.

c) **Desconecte el enchufe de la fuente de energía y/o retire el bloque de baterías, si es desmontable, de la herramienta eléctrica antes de hacer cualquier ajuste, cambiar accesorios o guardar la herramienta eléctrica.** Tales medidas de seguridad preventivas reducen el riesgo de que la herramienta eléctrica se encienda accidentalmente.

d) **Guarde las herramientas eléctricas inactivas fuera del alcance de los niños y no permita el uso de la herramienta eléctrica por parte de personas que no estén familiarizadas con esta o con sus instrucciones.** Las herramientas eléctricas son peligrosas en manos de usuarios sin capacitación.

e) **Mantenga las herramientas eléctricas y los accesorios.**

Compruebe que no hayan piezas móviles desalineadas, atoradas o rotas ni ninguna otra condición que pueda afectar el funcionamiento de la herramienta eléctrica. Si la herramienta eléctrica está dañada, asegúrese de que la reparen antes de usarla. Muchos accidentes son causados por herramientas eléctricas con mal mantenimiento.

- f) **Conserve limpias y afiladas las herramientas de corte.** Las herramientas de corte con un mantenimiento adecuado son menos propensas a trabarse y son más fáciles de controlar.
- g) **Use la herramienta eléctrica, los accesorios y las brocas de la herramienta, etc. en conformidad con estas instrucciones, tomando en cuenta las condiciones del trabajo y la tarea a realizar.** El uso de la herramienta eléctrica para operaciones distintas de las previstas, podría dar como resultado una situación peligrosa.
- h) **Mantenga las asas y las superficies de agarre secas, limpias y sin aceite o grasa.** Con asas y superficies de agarre resbalosas, no es posible tener un manejo seguro y un control de la

herramienta en situaciones inesperadas.

5) **Uso y cuidado de la herramienta de batería**

- a) **Recargue solo con el cargador especificado por el fabricante.** Un cargador adecuado para un tipo de paquete de batería podría crear un riesgo de incendio si se usa con otro paquete de batería distinto.
- b) **Use herramientas eléctricas solo con los paquetes de batería específicamente designados.** El uso de cualquier otro paquete de batería puede generar riesgo de lesiones e incendio.
- c) **Cuando el paquete de batería no esté en uso, manténgalo alejado de otros objetos metálicos como clips, monedas, llaves, clavos, tornillos u otros objetos pequeños de metal, que puedan hacer una conexión entre una terminal y otra.** Un cortocircuito en las terminales de la batería podría causar quemaduras o incendios.
- d) **En condiciones extremas, el líquido podría ser eyectado de la batería; en ese caso, evite el contacto. Si hay contacto accidental, enjuague con agua. Si**

el líquido entrara en los ojos, **busque ayuda médica**. El líquido eyectado de la batería puede causar irritación o quemaduras.

- e) **No use el paquete de batería o la herramienta si esté dañada o modificada.** Las baterías dañadas o modificadas pueden tener un comportamiento impredecible que puede resultar en incendios, explosiones o riesgo de lesiones.
- f) **No exponga el paquete de batería o la herramienta al fuego o a temperaturas excesivas.** La exposición al fuego o a temperaturas superiores a 266 °F (130 °C) puede causar explosiones.
- g) **Siga todas las instrucciones de carga y no cargue el paquete de batería o la herramienta fuera del rango de temperatura especificado en las instrucciones.** La carga inadecuada o a temperaturas que excedan el rango especificado puede dañar la batería e incrementar el riesgo de incendio.

6) Servicio

- a) **Haga reparar su herramienta eléctrica con un reparador calificado, utilizando solamente**

piezas de repuesto idénticas. Esto asegurará que se mantenga la seguridad de la herramienta eléctrica.

- b) **Nunca mande paquetes de batería dañados a mantenimiento.** El mantenimiento o reparación de los paquetes de baterías lo deben realizar únicamente el fabricante o los proveedores autorizados de servicio.

ADVERTENCIAS DE SEGURIDAD COMUNES PARA OPERACIONES DE MOLIENDA O CORTE ABRASIVO

- a) **Esta herramienta eléctrica está destinada a funcionar como una amoladora o herramienta de corte. Lea todas las advertencias de seguridad, instrucciones, ilustraciones y especificaciones que se ofrecen con esta herramienta eléctrica.** Si no se cumple con todas las instrucciones mencionadas a continuación, se pueden producir descargas eléctricas, incendios y/o lesiones graves.
- b) **No se recomienda realizar operaciones como lijado, cepillado de alambre, pulido con esta herramienta eléctrica. Las**

operaciones para las que la herramienta eléctrica no fue diseñada pueden crear un peligro y causar lesiones personales.

- c) **No utilice accesorios que no estén específicamente diseñados y recomendados por el fabricante de la herramienta.**

Sólo por el hecho de que el accesorio se pueda conectar a su herramienta eléctrica, no le garantiza un funcionamiento seguro.

- d) **La velocidad nominal del accesorio debe ser al menos igual a la velocidad máxima marcada en la herramienta eléctrica.** Los accesorios que funcionan más rápido que su velocidad nominal pueden romperse y salir disparados.

- e) **El diámetro exterior y el grosor de su accesorio deben estar dentro de la capacidad nominal de su herramienta eléctrica.** Los accesorios de tamaño incorrecto no se pueden proteger o controlar adecuadamente.

- f) **El montaje roscado de los accesorios debe coincidir con la rosca del husillo de la amoladora. Para los accesorios montados por bridas, el**

agujero del accesorio debe ajustarse al diámetro de localización de la brida. Los accesorios que no coincidan con el hardware de montaje de la herramienta eléctrica se desequilibrarán, vibrarán excesivamente y pueden causar la pérdida del control.

- g) **No utilice un accesorio dañado. Antes de cada uso, inspeccione el accesorio, como las ruedas abrasivas en busca de astillas y grietas, la almohadilla de respaldo en busca de grietas, desgarros o exceso de desgaste, el cepillo de alambre en busca de cables sueltos o agrietados. Si se cae una herramienta o accesorio eléctrico, inspeccione si hay daños o instale un accesorio no dañado. Después de inspeccionar e instalar un accesorio, colóquese a sí mismo y a los transeúntes lejos del plano del accesorio giratorio y ejecute la herramienta eléctrica a la velocidad máxima sin carga durante un minuto. Los accesorios dañados normalmente se romperán durante este tiempo de prueba.**
- h) **Use el equipo de protección**

personal. Dependiendo de la aplicación, use protector facial, gafas de seguridad o guantes de seguridad. Según corresponda, use una máscara antipolvo, protectores auditivos, guantes y delantal de taller, capaces de detener pequeños fragmentos abrasivos o de piezas de trabajo. La protección ocular debe ser capaz de detener los escombros voladores generados por diversas operaciones. La máscara antipolvo o el respirador deben ser capaces de filtrar las partículas generadas por su operación. La exposición prolongada al ruido de alta intensidad puede causar pérdida de la audición.

- i) Mantenga a los transeúntes a una distancia segura de la zona de trabajo. Cualquier persona que ingrese al área de trabajo debe usar equipo de protección personal. Los fragmentos de la pieza de trabajo o de un accesorio roto pueden salir disparados y causar lesiones más allá del área inmediata de operación.**
- j) Sujete la herramienta eléctrica por las superficies de agarre**

aisladas, cuando realice una operación en la que la herramienta de corte pueda entrar en contacto con cables ocultos. El contacto con un cable "vivo" o cargado, puede hacer que las partes metálicas expuestas de la herramienta eléctrica se carguen y ocasionarle al operador una descarga eléctrica.

- k) Coloque el cable libre del accesorio giratorio. Si pierde el control, el cable puede cortarse o engancharse y su mano o brazo pueden ser arrastrados hacia el accesorio giratorio.**
- m) Nunca descance la herramienta eléctrica hasta que el accesorio se haya detenido por completo. El accesorio giratorio puede tocar la superficie y sacar la herramienta eléctrica de su control.**
- m) No haga funcionar la herramienta eléctrica mientras la lleve consigo. El contacto accidental con el accesorio giratorio podría enganchar su ropa, tirando del accesorio hacia su cuerpo.**
- n) Limpie con regularidad las salidas de aire de los ductos de la herramienta eléctrica. El**

ventilador del motor atraerá el polvo dentro de la carcasa y la acumulación excesiva del metal en polvo puede causar riesgos eléctricos.

- o) **No opere la herramienta eléctrica cerca de materiales inflamables.** Las chispas podrían encender estos materiales.
- p) **No utilice accesorios que requieran refrigerantes líquidos.** El uso de agua u otros refrigerantes líquidos puede provocar electrocución o descargas.

CONTRAGOLPES Y ADVERTENCIAS RELACIONADAS

El contragolpe es una reacción repentina a una rueda giratoria pellizcada o enganchada, almohadilla de respaldo, cepillo o cualquier otro accesorio. El pellizco o enganche causa un rápido estancamiento del accesorio giratorio, lo que a su vez hace que la herramienta eléctrica incontrolada se fuerce en la dirección opuesta a la rotación del accesorio en el punto de la unión.

Por ejemplo, si una rueda abrasiva está enganchada o pellizcada por la pieza de trabajo, el borde de la rueda que está entrando en el punto de pellizco puede cavar en la superficie del material haciendo que la rueda

se salga o cause un contragolpe. La rueda puede saltar hacia o lejos del operador, dependiendo de la dirección del movimiento de la rueda en el punto de pellizco. Las ruedas abrasivas también pueden romperse bajo estas condiciones.

El contragolpe es el resultado de un mal uso de la herramienta y/o de procedimientos o condiciones de operación incorrectos, los que pueden evitarse tomando las precauciones adecuadas que se indican a continuación:

- a) **Mantenga un agarre firme en la herramienta eléctrica y coloque su cuerpo y brazo para permitirle resistir las fuerzas del contragolpe. Utilice siempre el mango auxiliar, si se proporciona, para obtener el máximo control sobre el contragolpe o la reacción del torque durante el arranque.** El operador puede controlar las reacciones del torque o las fuerzas del contragolpe, si se toman las precauciones adecuadas.
- b) **Nunca coloque su mano cerca del accesorio giratorio.** El accesorio puede causar un contragolpe sobre su mano.
- c) **No coloque su cuerpo en el área donde se moverá la**

- herramienta eléctrica si se produce un contragolpe.** El contragolpe impulsará la herramienta en dirección opuesta al movimiento de la rueda en el punto de enganche.
- d) **Tenga especial cuidado al trabajar esquinas, bordes afilados, etc. Evite rebotar y enganchar el accesorio.** Las esquinas, los bordes afilados o el rebote tienden a enganchar el accesorio giratorio y causar pérdida de control o contragolpe.
 - e) **No coloque una hoja de talla de madera para cadena de sierra o una hoja de sierra dentada.** Tales hojas crean frecuentes contragolpes y pérdida de control.

ADVERTENCIAS DE SEGURIDAD ESPECÍFICAS PARA OPERACIONES DE MOLIENDA Y DE CORTE ABRASIVO

- a) **Utilice solo los tipos de ruedas que se recomiendan para su herramienta eléctrica y el protector específico diseñado para la rueda seleccionada.** Las ruedas para las que no se diseñó la herramienta eléctrica no pueden protegerse adecuadamente y no son seguras.
- b) **El protector debe estar bien unido a la herramienta eléctrica y colocado en máxima seguridad, de modo que la menor cantidad de rueda esté expuesta hacia el operador.** El protector ayuda a proteger al operador de fragmentos de rueda rotos, contacto accidental con la rueda y chispas que podrían encender la ropa.
- c) **Las ruedas deben utilizarse únicamente para las aplicaciones recomendadas. Por ejemplo: no moler con el lado de la rueda de corte.** Las ruedas de corte abrasivas están destinadas a la molienda periférica, las fuerzas laterales aplicadas a estas ruedas pueden hacer que se rompan en pedazos.
- d) **Utilice siempre bridas de rueda no dañadas que sean del tamaño y la forma correctos para la rueda seleccionada.** Las bridas de rueda adecuadas soportan la rueda, reduciendo así la posibilidad de ruptura de la rueda. Las bridas para ruedas de corte pueden ser diferentes de las bridas de la rueda de molienda.
- e) **No utilice ruedas desgastadas**

de herramientas eléctricas más grandes. La rueda destinada a una herramienta eléctrica más grande no es adecuada para la mayor velocidad de una herramienta más pequeña y puede estallar.

ADVERTENCIAS DE SEGURIDAD DEL PAQUETE DE BATERÍAS Y DEL CARGADOR DE BATERÍAS

- Recargue solo con el cargador especificado por el fabricante. Un cargador adecuado para un tipo de paquete de batería podría crear un riesgo de incendio si se usa con otro paquete de batería distinto.
- Use los aparatos solo con los paquetes de batería específicamente designados. El uso de cualquier otro paquete de batería puede generar riesgo de lesiones e incendio.

¡ADVERTENCIA!

Utilice solo el siguiente tipo y tamaño de batería: B25X2/B50X2.

- Cuando el paquete de batería no esté en uso, manténgalo alejado de otros objetos metálicos como clips, monedas, llaves, clavos, tornillos u otros objetos pequeños de metal, que puedan hacer una conexión entre un

terminal y otro. Un cortocircuito en las terminales de la batería podría causar quemaduras o incendios.

- En condiciones extremas, el líquido podría ser eyectado de la batería; en ese caso, evite el contacto. Si hay contacto accidental, enjuague con agua. Si el líquido entrara en los ojos, busque ayuda médica. El líquido eyectado de la batería puede causar irritación o quemaduras. (Este consejo se considera correcto para los tipos de pilas de iones de litio, plomo, ácido y NiMh, NiCd convencionales. Si este consejo es incorrecto para un diseño de celda que difiere de estos, entonces se puede sustituir por el consejo correcto).
- No use el paquete de batería o la herramienta si está dañada o modificada. Las baterías dañadas o modificadas pueden tener un comportamiento impredecible que puede resultar en incendios, explosiones o riesgo de lesiones.
- No exponga el paquete de batería o la herramienta al fuego o a temperaturas excesivas. La exposición al fuego o a temperaturas superiores a 266 °F (130 °C) puede causar explosiones.
- Siga todas las instrucciones de carga y no cargue el paquete de

- batería el aparato fuera del rango de temperatura especificado en las instrucciones. La carga inadecuada o a temperaturas que excedan el rango especificado puede dañar la batería e incrementar el riesgo de incendio.
- No modifique ni intente reparar el aparato o el paquete de baterías (según corresponda) excepto como se indica en las instrucciones de uso y cuidado.

VIBRACIÓN + REDUCCIÓN DE RUIDO

Para reducir el impacto de las emisiones de ruido y vibración, limite el tiempo de funcionamiento, utilice modos de funcionamiento de poca vibración y poco ruido y use equipos de protección personal. Tenga en cuenta los siguientes aspectos para minimizar los riesgos de exposición a la vibración y al ruido.

- Utilice el producto únicamente según lo previsto en su diseño y según estas instrucciones.
- Asegúrese de que el producto esté en buenas condiciones y reciba el mantenimiento correcto.
- Utilice los accesorios correctos para el producto y asegúrese de que estén en buenas condiciones.
- Mantenga un agarre firme de las asas y de la superficie de agarre.

- Realice el mantenimiento de este producto de acuerdo con estas instrucciones y manténgalo bien lubricado (cuando corresponda).
- Planifique su horario de trabajo para distribuir cualquier uso de la herramienta a alta vibración a lo largo de un período de tiempo más largo.

EMERGENCIA

Familiarícese con el uso de este producto mediante este manual de instrucciones. Memorice las instrucciones de seguridad y sígalas al pie de la letra. Esto ayudará a prevenir riesgos y peligros.

- Siempre esté alerta cuando utilice este producto para que pueda reconocer y manejar los riesgos a tiempo. Una intervención rápida puede prevenir lesiones graves y daños a la propiedad.
- Apague el producto y retire el paquete de batería si hay cualquier mal funcionamiento. Asegúrese de que el producto sea revisado por un profesional calificado y que sea reparado, si es necesario, antes de volver a operarlo.

CONOZCA SU UNIDAD

APLICACIONES

Modelo: PAX2125-M2

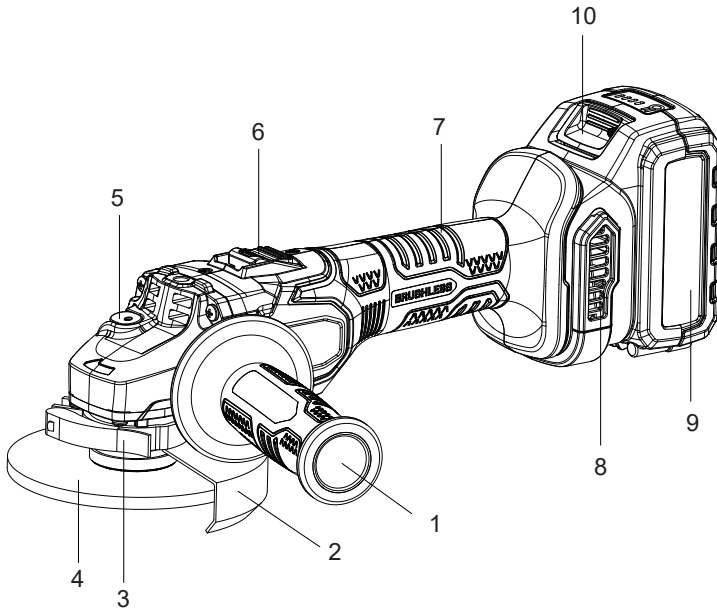
Como una amoladora angular:

Corte y molienda de metal, hormigón o baldosas.






NOTA:

La PAX2125-M2-0 no incluye cargador ni paquete de batería.



- | | |
|--------------------------------------|-------------------------------------|
| 1. Mango auxiliar | 6. Interruptor de encendido/apagado |
| 2. Protector | 7. Mango |
| 3. Palanca de sujeción del protector | 8. Ventilación de aire |
| 4. Muela | 9. Paquete de batería |
| 5. Bloqueo del husillo | 10. Botón de desbloqueo |

ESPECIFICACIONES*

Modelo	PAX2125-M2	
Tensión nominal	18 V c.c.	
Velocidad nominal	8500 rpm	
Máx. Diámetro del disco	5" (125mm)	
Máx. Grosor del disco	1/4 "	
Rosca del husillo	5/8"	
Peso (sin batería)	3.7 lbs	
Modelo de batería	B25X2	B50X2
Tensión nominal	18V 	18V 
Capacidad nominal	2.5Ah	5.0Ah
Peso	336 gramos	649 gramos
Modelo del cargador	CHX2	
Entrada nominal	100-240 V ~ 50/60 Hz	
Salida nominal	21V, 2000 mA	
Tiempo de carga (con batería de 2.5 Ah)	85 min	
Tiempo de carga (con batería de 5.0 Ah)	130 min	
Clase de protección (para cargador)	 / II	
Peso	0.75 lbs	

Modelo	PAX2125-M2-0	
Tensión nominal	18 V c.c.	
Velocidad nominal	8500 rpm	
Máx. Diámetro del disco	5" (125mm)	
Máx. Grosor del disco	1/4 "	
Rosca del husillo	5/8"	
Peso (sin batería)	3.7 lbs	
Modelo de batería	No incluido	
Modelo del cargador	No incluido	

ENSAMBLAJE

1. Desempaque todas las piezas y colóquelas en una superficie llana y estable:
2. Retire todos los materiales de embalaje y dispositivos de envío, si corresponde.
3. El alcance de la entrega varía en función del país y la variante adquirida:

Modelo de PAX2125-M2

- Amoladora angular x1
 - Mango auxiliar x1
 - Protector x1
 - Muela x1
 - Paquete de batería x1
 - Cargador x1
 - Manual de instrucciones x1
4. Si ve que faltan partes o se ve dañado, no use el producto y póngase en contacto con el distribuidor. El uso de un producto incompleto o dañado representa un peligro para las personas y la propiedad.
 5. Asegúrese de que tiene todos los accesorios y herramientas necesarios para el ensamblaje y la operación. Esto también incluye el uso de equipos de protección personal adecuados.



NOTA:

La PAX2125-M2 incluye cargador y paquete de batería.
La PAX2125-M2-0 no incluye cargador ni paquete de batería.



ADVERTENCIA:



Póngase guantes de protección para este trabajo de ensamblaje y coloque siempre el producto sobre una superficie plana y estable cuando lo esté montando.



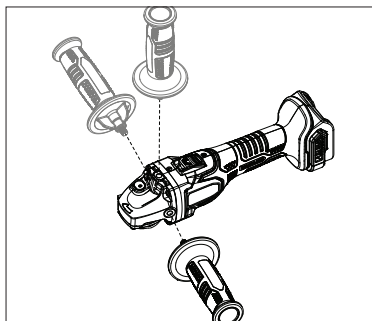
Siga las instrucciones de ensamblaje paso a paso y use las imágenes que se indican como guía visual para ensamblar fácilmente el producto.

¡No inserte la batería antes de que la herramienta eléctrica esté completamente ensamblada o ajustada!



ADVERTENCIA:

Trabaje siempre con el mango auxiliar conectado para evitar la pérdida de control y posibles lesiones graves.



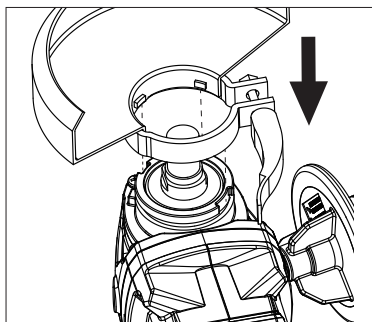
Atornille manualmente el mango auxiliar de forma segura en el orificio roscado izquierdo, central o derecho. Tenga en cuenta los requisitos de trabajo o el hábito de uso para obtener el mejor rendimiento.

ADVERTENCIA



DEL PROTECTOR:

Coloque un protector específico para el trabajo a realizar. El protector suministrado es solo para molienda. No lo use con otros fines.



1. Abra la palanca de sujeción del protector. Alinee y coloque el protector en el husillo.
2. Gire el protector en el sentido de las agujas del reloj hacia donde siempre protege al usuario de ser lastimado.

MANGO AUXILIAR

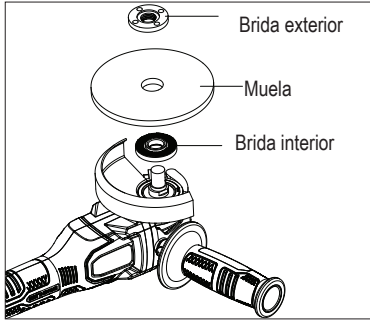
3. Cierre la palanca de sujeción del protector. Si es necesario, ajuste aún más el tornillo para mejorar su capacidad de fijación.

ADVERTENCIA



DE LA MUELA:

Para reducir el riesgo de lesiones, use solo accesorios clasificados al menos igual a la velocidad máxima marcada en la herramienta.



1. Ajuste la brida interna en el husillo.
2. Coloque la rueda de molineta plana sobre la brida interior.
3. Fije el lado convexo de la brida externa a la muela y asegúrelo con la ayuda de una llave inglesa mientras presiona el bloqueo del husillo.



NOTA:

Para el corte, haga coincidir la superficie cóncava con la rueda de corte.

4. Retire la llave inglesa y suelte el bloqueo del husillo cuando la brida externa se ajuste lo suficiente.



ADVERTENCIA:

Nunca presione el bloqueo del husillo cuando el husillo esté funcionando.

ADVERTENCIA

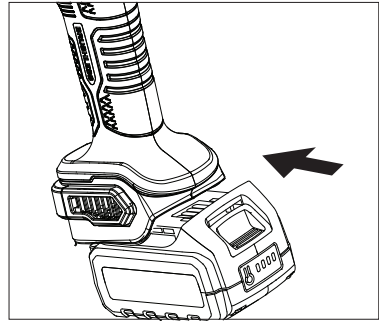


DEL PAQUETE DE BATERÍA:

Asegúrese de que el interruptor de encendido/apagado esté apagado antes de montar el paquete de batería.

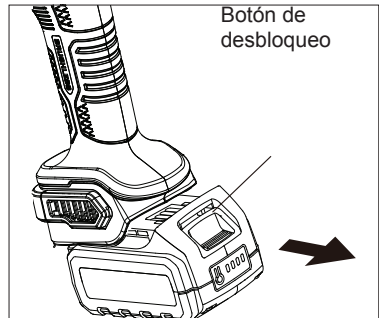
Para instalar:

Alinee y deslice la batería en el puerto de acoplamiento de la batería hasta que esté bloqueada en su posición.



Para retirar:

Presione el botón de desbloqueo en el paquete de batería y deslice el paquete de batería hacia afuera.



ADVERTENCIA



DE LA OPERACIÓN:

Use siempre protección para los ojos, oídos y manos, y reduzca así el riesgo de lesiones a la hora de operar la herramienta.

Mantenga todas las partes de su cuerpo alejadas de la broca giratoria.



ADVERTENCIA:

Chispas generadas al moler metal. Tenga cuidado de que no se presenten materiales combustibles en el área de trabajo.

APAGAR Y ENCENDER



ADVERTENCIA:

Solo encienda la herramienta cuando su rueda no esté en contacto con la pieza de trabajo.

1. Gire el interruptor de encendido/apagado a "1". La herramienta acelerará gradualmente hasta que alcance una velocidad máxima.
2. Gire el interruptor de encendido/apagado a "0". La herramienta se ralentizará hasta que se detenga por completo.

FUNCIONAMIENTO GENERAL

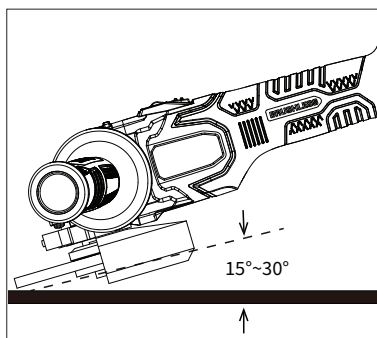
1. Pruebe la máquina durante un minuto a la velocidad máxima antes de aplicarla a las piezas de trabajo.
2. Los accesorios abandonados sufrieron una caída anteriormente. Los accesorios desequilibrados o dañados pueden estropear la pieza de trabajo, dañar la herramienta y causar estrés, lo que puede causar fallas en los accesorios.
3. Siempre guíe la amoladora con ambas manos. Agarre el mango principal con una mano y con la otra en el mango auxiliar.
4. Use la rueda de corte para cortar y use la muela para moler.
5. Ajuste un protector adecuado para el propósito de cortar o moler, para proporcionar la máxima protección. El uso de un protector inadecuado durante la operación causará lesiones graves.
6. Asegure la pieza de trabajo con un tornillo o sujétela a una mesa de trabajo para garantizar una operación segura.
7. Permita que los accesorios lleguen a toda velocidad

antes del inicio.

8. Aplique correctamente presión y controle el contacto entre el accesorio y la pieza de trabajo.
9. Levante la amoladora lejos de la pieza de trabajo antes de apagar la amoladora.
10. Apague la herramienta y asegúrese de que se detenga por completo antes de dejarla descansar.

MOLIENDA

1. Coloque una muela y un protector para molienda recomendado por el fabricante.
2. Coloque la herramienta en un ángulo de 15° a 30° para obtener los mejores resultados de trabajo.



3. No fuerce demasiado la herramienta. Presione hacia abajo y de manera uniforme y conduzca la máquina hacia adelante o hacia atrás.

CORTE

1. Reemplace una rueda de corte y un protector de rueda para el corte recomendado por el fabricante.
2. Inserte la rueda de corte verticalmente en la superficie de los objetos.
3. No haga ninguna presión lateral a la rueda ni se balancee de lado a lado.
4. Comience a cortar con secciones transversales mínimas.
5. Solo trabaje contra la carrera de la rueda.
6. Cuando la rueda se calienta mucho y las chispas parpadean, deje de cortar y enfríe a una velocidad sin carga durante varios minutos.

CÓMO CARGAR EL PAQUETE DE BATERÍA



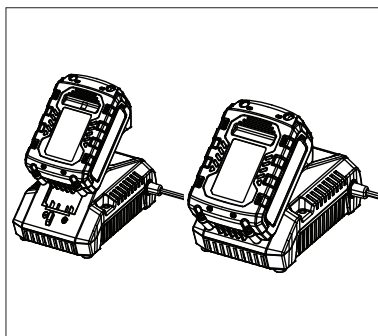
ADVERTENCIA:

Este paquete de batería de iones de litio se envía parcialmente cargado. Cargue completamente la batería antes de usarla por primera vez.

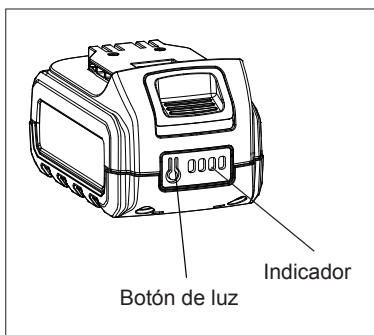


NOTA:

Carga de baterías a una temperatura ambiente de 32 °F (0 °C) -104 °F (40 °C).



1. Cargue el paquete de batería de iones de litio solo con el cargador indicado.
2. Conecte el cargador a una fuente de alimentación; el indicador luminoso del cargador se pondrá en rojo.
3. Alinee las ranuras levantadas del paquete de batería con la ranura en el cargador.
4. Inserte el paquete de batería en el cargador, la luz indicadora del cargador se enciende en verde y parpadea.
5. El cargador comunica con el paquete de batería para evaluar su condición.
6. Está completamente cargado cuando se encienden las cuatro luces de la batería. Desconecte el cargador del suministro de energía. Retire el paquete de batería del cargador.



Indicador luminoso			Estatus
Iluminado	Apagado	Parpadeo	
			La batería está al máximo de capacidad.
			La batería está al 75% de capacidad.
			La batería está al 50% de capacidad y necesita cargarse.
			La batería está al 25% de capacidad y requiere cargarse pronto.
			La batería tiene menos del 5% de capacidad y requiere carga inmediata.

INDICADOR DE CARGA

Presione el botón de luz en el paquete de batería para comprobar si necesita cargarse.



ADVERTENCIA:

Pueden ocurrir averías cuando las cuatro luces parpadean por turnos.

PROTECCIÓN CONTRA EL SOBRECALENTAMIENTO

Cuando la herramienta/batería se sobrecalienta, la herramienta se detiene automáticamente. En esta situación, deje que la herramienta eléctrica/batería se enfríe antes de volver a encenderla.

PROTECCIÓN CONTRA SOBRECARGA

Cuando la capacidad de la batería no es suficiente, la herramienta se detiene automáticamente. En este caso, retire la batería de la herramienta y cárguela.



ADVERTENCIA:

Realice los trabajos de limpieza y mantenimiento conforme a estas instrucciones únicamente. Cualquier otro trabajo debe ser realizado por un especialista cualificado.



ADVERTENCIA:

PARA PREVENIR LESIONES GRAVES A CAUSA DE UNA OPERACIÓN ACCIDENTAL:

Asegúrese de que el interruptor de encendido/apagado esté girado a "0" y que la batería se retire antes de realizar cualquier procedimiento en esta sección.

PARA PREVENIR LESIONES GRAVES A CAUSA DE

FALLAS DE LA HERRAMIENTA:

No utilice equipos dañados.

Si se producen ruidos o vibraciones anormales, corrija el problema antes de seguir utilizándola.

No hay piezas reparables por el usuario en su herramienta eléctrica.

Si se encuentra alguna de las siguientes condiciones, deje de usarla y envíela al centro de servicio autorizado para su reparación.

- batería con fugas, hinchada o agrietada
- accesorios sueltos
- desalineación o fijación de accesorios
- piezas agrietadas o rotas
- cualquier otra condición que pueda afectar su funcionamiento seguro.

LIMPIEZA

1. Limpie el polvo y los escombros de los ductos de ventilación.
2. Mantenga el mango limpio, seco y libre de aceite o grasa.
3. Limpie los escombros y las partículas de la rueda.
4. Retire la suciedad persistente de la carcasa con aire a alta presión (máx. 3 bar).



NOTA:

No use detergentes o desinfectantes químicos alcalinos o abrasivos, ni ningún otro tipo de detergente agresivo, para limpiar este producto, ya que estos pueden dañar sus superficies.

TRANSPORTE

1. Solo cargar del asa.
2. Proteja el producto contra cualquier impacto o vibración intensa que pueda ocurrir durante el transporte en un vehículo.
3. Fije la unidad para evitar que resbale o se caiga.

ALMACENAMIENTO

1. Limpie a fondo como se describió anteriormente.
2. Almacene en un área oscura, seca, libre de heladas y bien ventilada que sea inaccesible para los niños. La temperatura ideal de almacenamiento está entre 50 °F (10 °C) y 86 °F (30 °C).
3. Use el paquete original para el almacenamiento o cúbralo con un paño adecuado para protegerlo contra el polvo.



NOTA:

Para prolongar la duración de la batería, guarde el paquete de batería por separado de la herramienta en una condición de carga del 30% al 50%. Se recomienda tener la batería cargada al menos cada 6 meses.

ELIMINACIÓN

El producto residual no se debe eliminar con los residuos domésticos del hogar. Recíclelos en las instalaciones disponibles. Consulte a sus autoridades locales o al minorista para asesorarse sobre el reciclaje.

Los escombros o polvo pueden ser producidos por la herramienta durante la operación, los usuarios deben limpiar estos objetos para proteger el medio ambiente.



Los productos eléctricos no deben desecharse con los productos domésticos. Los productos eléctricos usados deben recogerse por separado y eliminarse en los puntos de recogida previstos a tal efecto. Consulte con sus autoridades locales o con el distribuidor para asesorarse sobre el reciclaje.

SOLUCIÓN DE PROBLEMAS

Las sospechas de mal funcionamiento a menudo se deben a causas que el usuario puede corregir por sí mismo. Por tanto, use esta sección para verificar el producto. En la mayoría de los casos el problema se puede resolver rápidamente.

PROBLEMA	POSIBLE CAUSA	SOLUCIÓN
El producto no se enciende	Selector de dirección en la posición de bloqueo central	Presione el selector de dirección hacia el lado adecuado
	El paquete de batería no está correctamente fijado	Fíjelo correctamente
	El paquete de batería está completamente descargado	Cargue el paquete de batería
El producto no alcanza su potencia total	La energía de la batería es demasiado baja	Cargue el paquete de batería
	El paquete de baterías alcanza su ciclo de vida	Reemplazar con un nuevo paquete de batería
Resultado insatisfactorio	La broca de taladro/atornillador está desafilada/dañada	Reemplazar por uno nuevo
	La broca del destornillador/broca de la ranura no es adecuada para el funcionamiento previsto.	Use una adecuada

GARANTÍA

GARANTÍA LIMITADA

Garantía limitada de 5 años en todos los equipos alimentados por batería para exteriores de la serie Senix X2. Garantía limitada de 3 años en todas las baterías y cargadores Senix X2.*

DURANTE CINCO AÑOS a partir de la fecha original de compra minorista, este producto Senix está garantizado contra defectos en materiales o mano de obra en herramientas eléctricas. El producto defectuoso recibirá reparación gratuita.*

DURANTE TRES AÑOS a partir de la fecha original de compra minorista, este producto Senix está garantizado contra defectos de materiales o mano de obra en baterías y cargadores. El producto defectuoso recibirá reparación gratuita.*

La presente garantía no cubre el desgaste normal de las partes y los componentes, como la cadena de corte, la línea o las hojas ni tampoco cubre esta garantía el costo de transporte del producto para garantía o servicio.

La garantía está sujeta a las siguientes condiciones:

- La garantía se aplica al comprador original en comercio minorista y no es transferible*
- Registro de garantía en www.senixtools.com
- La herramienta no se ha sometido a uso incorrecto, abuso, negligencia, alteración o modificación y no ha sido reparada fuera de un centro de servicio autorizado
- Solo se han utilizado accesorios originales de Senix con o en este producto
- La herramienta presenta un desgaste normal
- La herramienta no se ha utilizado con fines comerciales o profesionales
- La herramienta no se ha utilizado con fines de alquiler
- Esta garantía solo cubre defectos que ocurran bajo el uso normal y no cubre casos de mal funcionamiento, fallo o defecto que emanen de un uso incorrecto, abuso (incluyendo sobrecarga del producto, exposición al agua o la lluvia), accidentes, negligencia e instalación, mantenimiento o almacenamiento inadecuados.

Para localizar a su proveedor de servicios de Senix más cercano, llame gratis al 800-261-3981 o envíenos un correo electrónico a service@senixtools.com.

Limitaciones adicionales

Cualquier garantía implícita otorgada en virtud de las leyes estatales, incluidas las garantías de comerciabilidad o idoneidad para un propósito particular, se limita a tres años a partir de la fecha de compra para herramientas eléctricas y cargadores y siete años para baterías. El fabricante no asume ninguna responsabilidad por daños directos, indirectos, incidentales o consecuentes. Algunos estados y provincias no permiten limitaciones en cuanto a la duración de una garantía implícita o no permiten la exclusión o limitación de daños incidentales, por lo que es posible que las limitaciones y exclusiones anteriores no se apliquen a usted. Esta garantía le otorga derechos legales específicos, y usted también puede tener otros derechos que varían de un estado a otro o de una provincia a otra.

YAT USA no asume ninguna responsabilidad con respecto a la responsabilidad civil que emane de un uso abusivo o no conforme al uso y mantenimiento adecuados de la máquina, descritos en el manual del operador.

YAT USA no asume ninguna responsabilidad por daños directos, indirectos, incidentales o consecuentes.

Después de la compra, el fabricante recomienda el mantenimiento adecuado de la máquina y leer el manual del operador antes de utilizar la máquina.

*Se puede exigir un recibo de compra original como justificante de compra

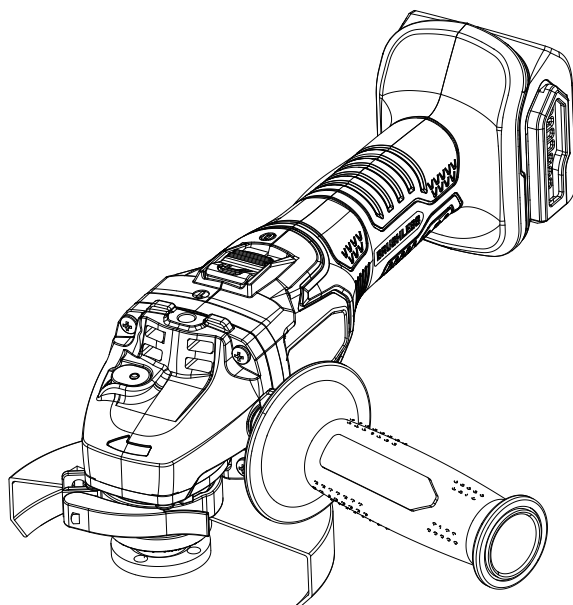
Para acceder al servicio de atención al cliente, póngase en contacto con nosotros llamando al número gratuito 1-800-261-3981 o visitando Senixtools.com.

10506 Bryton Corporate Center Dr, #500 Huntersville, NC 28078



20 V MAX AU LITHIUM-ION MEULEUSE D'ANGLE SANS FIL (5")

Manuel d'utilisation
Model: PAX2125-M2
PAX2125-M2-0



Pour obtenir une assistance à la clientèle, veuillez appeler le 1-800-261-3981 ou envoyer un e-mail à :
Service@senixtools.com
CONSERVEZ CE MANUEL POUR TOUTE CONSULTATION ULTÉRIEURE.

INSTRUCTIONS ORIGINALES

TABLE DES MATIÈRES

SYMBOLES DE SÉCURITÉ ET INTERNATIONAUX	46
INSTRUCTIONS DE SÉCURITÉ.....	47
DESCRIPTION DE VOTRE APPAREIL.....	58
SPÉCIFICATIONS*	59
ASSEMBLAGE.....	60
FONCTIONNEMENT.....	62
ENTRETIEN.....	65
GUIDE DE DÉPANNAGE.....	66
GARANTIE.....	67

SÉCURITÉ ET SYMBOLES INTERNATIONAUX

L'explication des symboles de sécurité et internationaux décrit les symboles et pictogrammes de sécurité et internationaux susceptibles d'apparaître sur ce produit. Lisez le manuel de l'utilisateur pour obtenir des informations complètes sur la sécurité, l'assemblage, le fonctionnement, l'entretien et les réparations.



Attention / Avertissement.



Utilisez et rangez la batterie à une température inférieure à 122 °F (50 °C).



Pour réduire le risque de blessures, l'utilisateur doit lire le manuel d'instructions.



Ne démontez pas la batterie, ne l'écrasez pas, ne la chauffez pas à une température supérieure à 212 °F (100 °C); n'exposez jamais la batterie aux micro-ondes ou à des pressions élevées.



Portez des lunettes de protection.



Portez un masque anti-poussière.



Gardez les passants à une distance sécuritaire de la zone de travail.



Portez des chaussures de sécurité.



Utilisation en intérieur uniquement. Utilisez uniquement le chargeur de batterie à l'intérieur.



Portez des gants de protection.



Ne jetez pas les batteries dans les rivières et ne les immergez pas dans l'eau.



Ne jetez pas les blocs-batteries au feu. Ils exploseront et causeront des blessures.

INSTRUCTIONS DE SÉCURITÉ

AVERTISSEMENTS GÉNÉRAUX SUR LA SÉCURITÉ DES OUTILS ÉLECTRIQUES



AVERTISSEMENT !

Lisez tous les avertissements de sécurité, instructions, illustrations et spécifications fournis avec cet outil électrique. Le non-respect de toutes les instructions énumérées ci-dessous peut entraîner un choc électrique, un incendie et/ou des blessures graves.

Conservez tous les avertissements et les instructions pour pouvoir vous y référer ultérieurement.

Le terme « outil électrique » dans les avertissements fait référence à votre outil électrique (avec fil) fonctionnant sur secteur ou à votre outil électrique (sans fil) fonctionnant sur batterie.

1) Sécurité de la zone de travail

- a) **Gardez la zone de travail propre et bien éclairée. Les endroits sombres ou désordonnés augmentent les risques d'accident.**
- b) **N'utilisez pas d'outils électriques dans des atmosphères explosives, par exemple en présence de liquides, de gaz**

ou de poussières inflammables. Les outils électriques produisent des étincelles qui peuvent enflammer la poussière ou les fumées.

- c) **Veillez à ce que les enfants et les autres personnes restent à distance lors de l'utilisation d'un outil électrique. Un moment d'inattention peut vous faire perdre le contrôle de l'outil.**
- ### 2) Sécurité électrique
- a) **La fiche de l'outil électrique doit être adaptée à la prise de courant. Ne modifiez jamais la fiche de quelque façon que ce soit. N'utilisez pas d'adaptateurs avec des outils électriques nécessitant une mise à terre.** Les prises non modifiées et les prises électriques appropriées réduisent le risque de choc électrique.
 - b) **Évitez tout contact physique avec des surfaces mises à la terre ou mises à la masse, telle que les tuyaux, les radiateurs, les fours et les réfrigérateurs.** Il y a un risque accru de choc électrique si votre corps est relié à la terre ou à la masse.
 - c) **N'exposez pas les outils électriques à la pluie ou à l'humidité.**

té. L'eau qui pénètre dans un outil électrique augmente le risque de choc électrique.

- d) **Prenez soin du câble d'alimentation. N'utilisez jamais le câble d'alimentation pour porter, tirer ou débrancher l'outil électrique. Maintenez le câble d'alimentation éloigné de la chaleur, de l'huile, des arêtes tranchantes ou des pièces mobiles.** Les cordons endommagés ou emmêlés augmentent le risque d'électrocution.
- e) **Lorsque vous utilisez un outil électrique à l'extérieur, utilisez une rallonge adaptée à une utilisation extérieure.** L'utilisation d'une rallonge conçue pour un usage en extérieur réduit le risque de choc électrique.
- f) **Si vous êtes obligé(e) d'utiliser un outil électrique dans un endroit humide, utilisez une alimentation protégée par un dispositif différentiel à courant résiduel (DDR).** L'utilisation d'un DDR réduit le risque de choc électrique.

3) Sécurité personnelle

- a) **Restez vigilant, soyez attentif à ce que vous faites et faites preuve de bon sens lors de**

l'utilisation d'un outil électrique. N'utilisez pas d'outil électrique si vous êtes fatigué(e) ou sous l'influence de drogues, d'alcool ou de médicaments. Un moment d'inattention lors de l'utilisation d'un outil électrique peut entraîner des blessures graves.

- b) **Utilisez des équipements de protection individuelle. Portez toujours des lunettes de protection.** Des équipements de protection tels qu'un masque anti-poussière, des chaussures de sécurité antidérapantes, un casque ou des protections auditives utilisés dans des conditions appropriées réduiront les blessures.
- c) **Évitez tout démarrage accidentel. Assurez-vous que l'interrupteur est en position d'arrêt avant de brancher la source d'alimentation et/ou le bloc-piles, de ramasser ou de transporter l'outil.** Le fait de porter des outils électriques avec le doigt sur l'interrupteur ou de mettre sous tension des outils électriques dont l'interrupteur est activé provoque des accidents.
- d) **Retirez toute clé de réglage ou clé de serrage avant de mettre**

l'outil électrique sous tension.

Une clé de réglage ou de serrage restée sur une pièce en rotation d'un outil électrique peut provoquer des blessures.

- e) **Ne tenez pas d'atteindre des endroits éloignés de votre corps. Restez toujours d'aplomb et gardez bien l'équilibre.** Ceci permet de mieux contrôler l'outil électrique dans des situations inattendues.
- f) **Portez des vêtements appropriés. Ne portez pas de vêtements amples ni de bijoux. Gardez vos cheveux et vos vêtements à l'écart des pièces mobiles.** Les vêtements amples, les bijoux et les cheveux longs peuvent se coincer dans les pièces en rotation.
- g) **Si des dispositifs sont prévus pour le raccordement des installations d'extraction et de collecte des poussières, assurez-vous qu'ils sont raccordés et utilisés correctement.** L'utilisation d'un système de collecte des poussières peut réduire les risques liés à la poussière.
- h) **Ne laissez pas la familiarité acquise grâce à l'utilisation fréquente des outils vous permettre de devenir négligent(e)**

et d'ignorer les principes de sécurité des outils. Un geste imprudent peut provoquer une blessure grave en une fraction de seconde.

- 4) **Utilisation et entretien des outils électriques**
 - a) **Ne forcez pas sur l'outil électrique. Utilisez l'outil électrique approprié pour votre application.** Un outil électrique adapté permet d'effectuer le travail plus efficacement, avec une sécurité accrue, et au rythme pour lequel l'outil a été conçu.
 - b) **N'utilisez pas l'outil électrique si l'interrupteur ne permet pas de le mettre en marche et de l'arrêter.** Tout outil électrique qui ne peut pas être contrôlé par son interrupteur marche/arrêt est dangereux et doit être réparé.
 - c) **Débranchez la fiche de la source d'alimentation et/ou retirez la batterie, si elle est détachable, de l'outil électrique avant d'effectuer tout réglage, de changer d'accessoire ou de ranger l'outil.** Cette mesure de sécurité préventive réduit le risque de démarrage accidentel de l'outil électrique.
 - d) **Rangez les outils électriques hors de portée des enfants et**

ne laissez pas des personnes ne connaissant pas l'outil électrique ou ces instructions utiliser l'outil électrique. Les outils électriques sont dangereux dans les mains de personnes inexpérimentées.

- e) **Entretenez les outils électriques et les accessoires.** Vérifiez l'alignement et le mouvement des pièces mobiles, si des pièces sont cassées, et toute autre condition qui pourrait affecter l'utilisation de l'outil électrique. En cas de dommage, faites réparer l'outil électrique avant de l'utiliser. De nombreux accidents sont dus à des outils électriques mal entretenus.
- f) **Maintenez les accessoires de coupe affûtés et propres.** Des outils de coupe correctement entretenus et bien affûtés risquent moins de se coincer et sont plus faciles à contrôler.
- g) **Utilisez l'outil électrique, les accessoires et les embouts, etc. conformément à ces instructions, en tenant compte des conditions de travail et du travail à effectuer.** L'utilisation de l'outil électrique pour des opérations différentes de celles prévues peut entraîner une situation

dangereuse.

- h) **Maintenez les poignées et les surfaces de préhension sèches, propres et exemptes d'huile et de graisse.** Des poignées et les surfaces de préhension glissantes ne permettent pas de manipuler et de contrôler l'outil en toute sécurité dans des situations imprévues.
- 5) Utilisation et entretien de l'outil à batterie**
- a) **Rechargez l'outil uniquement avec le chargeur spécifié par le fabricant.** Un chargeur adapté à un type de batterie peut présenter un risque d'incendie lorsqu'il est utilisé avec un autre type de batterie.
 - b) **Utilisez les outils électriques uniquement avec les blocs de batteries spécifiquement désignés.** L'utilisation de toute autre batterie peut créer un risque de blessures et d'incendie.
 - c) **Lorsque la batterie n'est pas utilisée, elle doit être rangée loin de tout objet métallique, tel que trombone, pièce de monnaie, clef, clou, vis et tout autre petit objet métallique qui risquerait de mettre en contact ses bornes.** La mise

en court-circuit des bornes de la batterie peut provoquer des brûlures ou un incendie.

- d) **Dans des conditions abusives, un liquide peut être éjecté de la batterie ; évitez tout contact. En cas de contact accidentel, rincez à grande eau. En cas de contact avec les yeux, vous devez en outre consulter un médecin.** Le liquide éjecté de la batterie peut provoquer des irritations ou des brûlures.
- e) **N'utilisez pas un bloc-piles ou un outil endommagé ou modifié.** Les batteries endommagées ou modifiées peuvent présenter un comportement imprévisible entraînant un incendie, une explosion ou un risque de blessure.
- f) **N'exposez pas un bloc-piles ou un outil au feu ou à une température excessive.** L'exposition au feu ou à une température supérieure à 266°F(130°C) peut provoquer une explosion.
- g) **Suivez toutes les instructions de charge et ne chargez pas la batterie ou l'outil en dehors de la plage de température spécifiée dans les instructions.** Une charge inadéquate ou à des températures hors de la plage spécifiée peut endommager la

batterie et augmenter le risque d'incendie.

6) Réparations

- a) **Faites réparer votre outil électrique par un réparateur qualifié n'utilisant que des pièces de rechange identiques.** Cela garantira le maintien de la sécurité de l'outil électrique.
- b) **Ne réparez jamais une batterie endommagée.** L'entretien des batteries ne doit être effectué que par le fabricant ou des prestataires de services agréés.

AVERTISSEMENTS DE SÉCURITÉ COMMUNS AUX OPÉRATIONS DE MEULAGE OU DE COUPE ABRASIVE

- a) **Cet outil électrique est destiné à fonctionner comme une meuleuse ou un outil de tronçonnage. Lisez tous les avertissements, instructions, illustrations et spécifications de sécurité fournis avec cet outil électrique.** Le non-respect de toutes les instructions énumérées ci-dessous peut entraîner un choc électrique, un incendie et/ou des blessures graves.
- b) **Les opérations telles que le ponçage, le brossage métal-**

- lique, le polissage ne sont pas recommandées avec cet outil électrique. Les opérations pour lesquelles l'outil électrique n'a pas été conçu peuvent créer un danger et causer des blessures.
- c) **N'utilisez pas d'accessoires qui ne sont pas spécifiquement conçus et recommandés par le fabricant de l'outil.** Le fait que l'accessoire puisse être fixé à votre outil électrique ne garantit pas un fonctionnement sûr.
- d) **La vitesse nominale de l'accessoire doit être au moins égale à la vitesse maximale indiquée sur l'outil électrique.** Les accessoires fonctionnant à une vitesse supérieure à leur vitesse nominale peuvent se briser et voler en éclats.
- e) **Le diamètre extérieur et l'épaisseur de votre accessoire doivent correspondre à la capacité nominale de votre outil électrique.** Les accessoires de taille incorrecte ne peuvent pas être protégés ou contrôlés de manière adéquate.
- f) **Le montage fileté des accessoires doit correspondre au filetage de la broche de la meuleuse. Pour les accessoires montés par des brides, le trou de l'axe de l'accessoire**
- doit correspondre au diamètre de positionnement de la bride.** Les accessoires qui ne correspondent pas au matériel de montage de l'outil électrique se déséquilibreront, vibreront excessivement et risquent de provoquer une perte de contrôle.
- g) **N'utilisez pas un accessoire endommagé. Avant chaque utilisation, inspectez les accessoires tels que les roues abrasives pour vérifier qu'elles ne sont pas ébréchées ou fissurées, le tampon d'appui pour vérifier qu'il n'y a pas de fissures, de déchirures ou d'usure excessive, la brosse métallique pour vérifier que les fils ne sont pas lâches ou fissurés. En cas de chute d'un outil électrique ou d'un accessoire, vérifiez qu'il n'est pas endommagé ou installez un accessoire non endommagé. Après avoir inspecté et installé un accessoire, placez-vous, ainsi que les personnes présentes, à l'écart du plan de l'accessoire en rotation et faites fonctionner l'outil électrique à la vitesse maximale à vide pendant une minute. Les accessoires endommagés se briseront**

normalement pendant ce temps d'essai.

- h) **Portez un équipement de protection individuelle. Selon l'application, utilisez un écran facial, des lunettes de protection ou des lunettes de sécurité. Le cas échéant, portez un masque anti-poussière, des protections auditives, des gants et un tablier d'atelier capables d'arrêter les petits fragments d'abrasifs ou de pièces. La protection oculaire doit être capable d'arrêter les débris volants générés par les différentes opérations.** Le masque anti-poussière ou le respirateur doit être capable de filtrer les particules générées par votre activité. Une exposition prolongée à un bruit de haute intensité peut entraîner une perte d'audition.
- i) **Gardez les personnes présentes à une distance sûre de la zone de travail. Toute personne entrant dans la zone de travail doit porter un équipement de protection individuelle.** Des fragments de la pièce ou d'un accessoire cassé peuvent être projetés et causer des blessures au-delà de la zone d'utilisation immédiate.
- j) **Tenez l'outil électrique uniquement par les surfaces de préhension isolées, lorsque vous effectuez une opération où l'outil de coupe peut entrer en contact avec des câbles cachés.** Le contact avec un fil sous tension rendra également sous tension les parties métalliques exposées de l'outil électrique et pourrait causer une décharge électrique à l'opérateur.
- k) **Positionnez le cordon à l'écart de l'accessoire en rotation.** Si vous perdez le contrôle, le cordon peut être coupé ou accroché et votre main ou votre bras peut être tiré dans l'accessoire en rotation.
- m) **Ne posez jamais l'outil électrique avant l'arrêt complet de l'accessoire.** L'accessoire en rotation peut s'accrocher à la surface et vous faire perdre le contrôle de l'outil électrique.
- m) **Ne faites pas tourner l'outil électrique lorsque vous le portez à votre côté.** Un contact accidentel avec l'accessoire en rotation pourrait accrocher vos vêtements, entraînant l'accessoire vers votre corps.
- n) **Nettoyez régulièrement les bouches d'aération de l'outil électrique.** Le ventilateur du

moteur aspirera la poussière à l'intérieur du boîtier et une accumulation excessive de métal pulvérisé peut entraîner des risques électriques.

- o) **N'utilisez pas l'outil électrique à proximité de matériaux inflammables.** Des étincelles pourraient enflammer ces matériaux.
- p) **N'utilisez pas d'accessoires nécessitant des liquides de refroidissement.** L'utilisation d'eau ou d'autres liquides de refroidissement peut entraîner une électrocution ou un choc.

REBOND ET AVERTISSEMENTS CONNEXES

Le rebond est une réaction soudaine à une roue rotative, un plateau de support, une brosse ou tout autre accessoire pincé ou accroché. Le pincement ou l'accrochage provoque un blocage rapide de l'accessoire en rotation, ce qui a pour effet de forcer l'outil électrique non contrôlé dans le sens opposé à la rotation de l'accessoire au point de pincement.

Par exemple, si une meule abrasive est accrochée ou pincée par la pièce, le bord de la meule qui pénètre dans le point de pincement peut s'enfoncer dans la surface du matériau, ce qui fait sortir la

meule ou la fait rebondir. La roue peut se rapprocher ou s'éloigner de l'opérateur, selon la direction du mouvement de la roue au point de pincement. Les roues abrasives peuvent également se briser dans ces conditions.

Les rebonds résultent d'une mauvaise utilisation de l'outil et/ou de procédures d'utilisation incorrectes et/ou de conditions d'utilisation inadéquates. Il est possible de les éviter en prenant les précautions suivantes :

- a) **Maintenez une prise ferme sur l'outil électrique et positionnez votre corps et votre bras de manière à pouvoir résister aux forces de rebond. Utilisez toujours la poignée auxiliaire, si elle est fournie, pour contrôler au maximum le rebond ou la réaction du couple au démarrage.** L'opérateur peut contrôler les réactions de couple ou les forces de rebond, si les précautions appropriées sont prises.
- b) **Ne placez jamais votre main près de l'accessoire en rotation.** L'accessoire peut rebondir sur votre main.
- c) **Ne placez pas votre corps dans la zone où l'outil électrique se**

déplacera en cas de rebond.

Le rebond propulsera l'outil dans la direction opposée au mouvement de la roue au point d'accrochage.

- d) **Soyez particulièrement prudent lorsque vous travaillez dans des coins, sur des arêtes vives, etc. Évitez de faire rebondir et d'accrocher l'accessoire.** Les coins, les arêtes vives ou les rebonds ont tendance à accrocher l'accessoire en rotation et à provoquer une perte de contrôle ou un rebond.
- e) **Ne fixez pas une lame de scie à chaîne pour sculpter le bois ou une lame de scie dentée.** De telles lames provoquent fréquemment des rebonds et une perte de contrôle.

AVERTISSEMENTS DE SÉCURITÉ SPÉCIFIQUES AUX OPÉRATIONS DE MEULAGE ET DE COUPE ABRASIVE

- a) **Utilisez uniquement les types de meules recommandés pour votre outil électrique et le protecteur spécifique conçu pour la meule sélectionnée.** Les roues pour lesquelles l'outil électrique n'a pas été conçu ne peuvent pas être protégées de manière adéquate et sont dan-

gereuses.

- b) **La protection doit être solidement fixée à l'outil électrique et positionnée pour une sécurité maximale, de manière à exposer le moins possible la roue à l'opérateur.** La protection permet de protéger l'opérateur contre les fragments de roue brisés, le contact accidentel avec la roue et les étincelles qui pourraient enflammer les vêtements.
- c) **Les roues ne doivent être utilisées que pour les applications recommandées. Par exemple : ne meulez pas avec le côté de la roue de coupe.** Les disques à tronçonner abrasifs sont destinés au meulage périphérique, les forces latérales appliquées à ces disques peuvent les faire éclater.
- d) **Utilisez toujours des boudins de roues non endommagés, de taille et de forme correctes pour la roue choisie.** Des boudins de roue appropriés soutiennent la roue, ce qui réduit le risque de rupture de la roue. Les boudins des meules de tronçonnage peuvent être différents des boudins des meules de rectification.
- e) **N'utilisez pas de meules usées**

provenant d'outils électriques plus grands. La roue destinée à un outil électrique plus grand n'est pas adaptée à la vitesse plus élevée d'un outil plus petit et peut éclater.

AVERTISSEMENT DE SÉCURITÉ CONCERNANT LA BATTERIE ET LE CHARGEUR DE BATTERIE

- Rechargez uniquement avec le chargeur spécifié par le fabricant. Un chargeur adapté à un type de batterie peut créer un risque d'incendie lorsqu'il est utilisé avec une autre batterie.
- N'utilisez les outils électriques qu'avec les batteries spécifiquement désignées. L'utilisation de toute autre batterie peut créer un risque de blessures et d'incendie.



AVERTISSEMENT !

Utilisez uniquement le type et la taille de batterie suivants : B25X2/ B50X2.

- Lorsque la batterie n'est pas utilisée, rangez-la à l'écart d'autres objets métalliques comme des trombones, des pièces de monnaie, des clés, des clous, des vis ou d'autres petits objets

métalliques qui peuvent établir une connexion d'une borne à l'autre. La mise en court-circuit des bornes de la batterie peut provoquer des brûlures ou un incendie.

- Dans des conditions abusives, un liquide peut être éjecté de la batterie ; évitez tout contact. En cas de contact accidentel, rincez à grande eau. En cas de contact avec les yeux, vous devez en outre consulter un médecin. Le liquide éjecté de la batterie peut provoquer des irritations ou des brûlures. (Ces conseils sont considérés comme corrects pour les types de cellules classiques NiMH, NiCd, plomb-acide et lithium-ion. Si ce conseil est incorrect pour une conception de cellule qui diffère de celles-ci, alors le conseil correct peut être substitué).
- N'utilisez pas une batterie ou un outil qui est endommagé ou modifié. Les batteries endommagées ou modifiées peuvent présenter un comportement imprévisible entraînant un incendie, une explosion ou un risque de blessure.
- N'exposez pas une batterie ou un outil au feu ou à une température excessive. L'exposition au feu ou

à une température supérieure à 130 °C (266 °F) peut provoquer une explosion.

- Suivez toutes les instructions de charge et ne chargez pas la batterie ou l'outil en dehors de la plage de température spécifiée dans les instructions. Une charge inadéquate ou à des températures hors de la plage spécifiée peut endommager la batterie et augmenter le risque d'incendie.
- Ne modifiez pas et n'essayez pas de réparer l'appareil ou la batterie (le cas échéant), sauf si cela est indiqué dans les instructions d'utilisation et d'entretien.

VIBRATIONS ET RÉDUCTION DU BRUIT

Afin de réduire l'impact des émissions sonores et vibratoires, limitez la durée d'utilisation, utilisez des modes à basses vibrations et à faibles bruits et portez des équipements de protection individuelle. Prenez en compte les facteurs suivants afin de minimiser l'exposition aux bruits et aux vibrations:

- Utilisez l'outil exclusivement tel que prévu par sa conception et ces instructions.
- Veillez à ce que le produit soit en bon état et bien entretenu.
- Utilisez des accessoires adé-

quats avec cet outil et veillez à ce qu'ils soient en bon état.

- Tenez fermement les poignées/surfaces de préhension.
- Entretenez cet outil conformément aux présentes instructions et maintenez-le bien lubrifié (si applicable).
- Planifiez votre travail avec un outil générant de fortes vibrations de façon à en étaler l'utilisation sur une longue période.

URGENCE

À l'aide du présent mode d'emploi, familiarisez-vous avec l'utilisation de cet appareil. Mémorisez les consignes de sécurité et suivez-les à la lettre. Cela vous permettra de prévenir les risques et les dangers.

- Soyez toujours vigilant(e) lorsque vous utilisez ce produit, afin de pouvoir reconnaître et traiter les risques à temps. Une intervention rapide peut permettre d'éviter des blessures graves et des dommages matériels.
- Éteignez le produit et retirez le bloc-batterie en cas de mauvais fonctionnement. Faites examiner l'outil par un professionnel qualifié et faites-le réparer si nécessaire, avant de le réutiliser.

DESCRIPTION DE VOTRE APPAREIL

APPLICATIONS

Modèle : PAX2125-M2

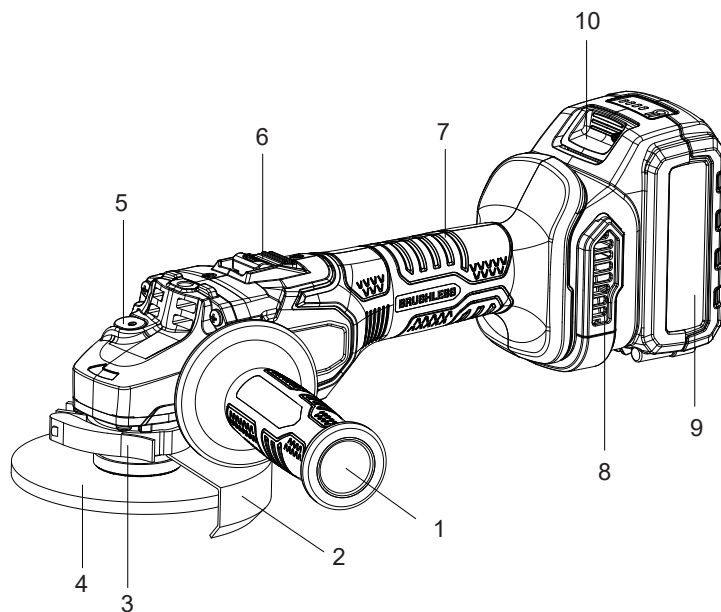
En tant que meuleuse d'angle:

Découpe et meulage de métal, de béton ou de carrelage.



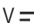


REMARQUE :

Le PAX2125-M2-0 n'inclut pas le chargeur ni la batterie.



- | | |
|--------------------------------|--------------------------------|
| 1. Poignée auxiliaire | 6. Interrupteur marche / arrêt |
| 2. Carter | 7. Poignée |
| 3. Levier de serrage du carter | 8. Orifice d'aération |
| 4. Roue de meulage | 9. Batterie |
| 5. Verrouillage de la broche | 10. Bouton de verrouillage |

SPÉCIFICATIONS*

Modèle	PAX2125-M2	
Tension nominale	18 V CC	
Vitesse nominale	8500 tr / min	
Max. Diamètre du disque	5 " (125mm)	
Max. Épaisseur du disque	1/4 "	
Filetage de la broche	5/8 "	
Poids (sans batterie)	3,7 livres	
Modèle de batterie	B25X2	B50X2
Tension nominale	18 V 	18 V 
Capacité nominale	2,5 Ah	5,0 Ah
Poids	0,74 livre	1,43 livres
Modèle de chargeur	CHX2	
Puissance nominale d'entrée	100-240 V ~ 50/60 Hz	
Puissance nominale de sortie	21 V, 2000 mA	
Durée de charge (avec batterie de 2,5 Ah)	85 minutes	
Durée de charge (avec batterie de 5,0 Ah)	130 minutes	
Classe de protection (pour le chargeur)	 / II	
Poids	0,75 livres	

Modèle	PAX2125-M2-0
Tension nominale	18 V CC
Vitesse nominale	8500 tr / min
Max. Diamètre du disque	5 " (125mm)
Max. Épaisseur du disque	1/4 "
Filetage de la broche	5/8 "
Poids (sans batterie)	3,7 livres
Modèle de batterie	Non inclus
Modèle de chargeur	Non inclus

ASSEMBLAGE

1. Déballez toutes les pièces et posez-les sur une surface plane et stable.
2. Retirez tous les matériaux d'emballage et les dispositifs d'expédition, le cas échéant.
3. L'étendue de la livraison varie en fonction du pays et de la variante achetée :
Modèle de PAX2125-M2

- Meuleuse d'angle x 1
- • Poignée auxiliaire x 1
- • Carter x 1
- Roue de meulage x 1
- Batterie x 1
- Chargeur x 1
- Manuel d'instructions x 1

4. Si vous constatez que des pièces sont manquantes ou présentent des dommages, n'utilisez pas le produit mais contactez votre revendeur. L'utilisation d'un produit incomplet ou endommagé représente un danger pour les personnes et les biens.
5. Assurez-vous que vous disposez de tous les accessoires et outils nécessaires à l'assemblage et à l'utilisation. Cela comprend également un équipement de protection individuelle approprié.



REMARQUE :

PAX2125-M2 comprend un chargeur et une batterie.
PAX2125-M2-0 n'inclut pas le chargeur ni la batterie.



AVERTISSEMENT :



Portez des gants de protection pour ce travail d'assemblage et posez toujours le produit sur une surface plane et stable lors de l'assemblage.



Suivez les instructions d'assemblage étape par étape et utilisez les photos fournies comme guide visuel pour assembler facilement le produit !

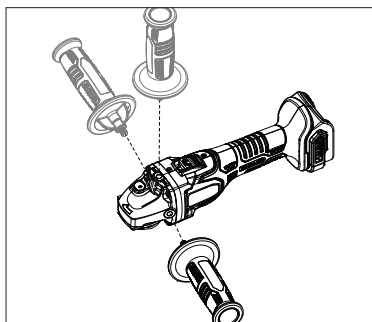
N'insérez pas la batterie avant que l'outil électrique ne soit complètement assemblé ou réglé !

POIGNÉE AUXILIAIRE



AVERTISSEMENT :

Travaillez toujours avec la poignée auxiliaire attachée pour éviter une perte de contrôle et d'éventuelles blessures graves.



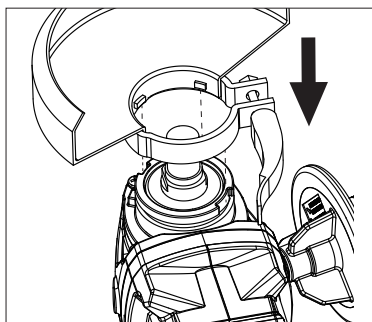
Vissez manuellement la poignée auxiliaire en toute sécurité dans le trou fileté de gauche, du centre ou de droite. Tenez compte des exigences de travail ou des habitudes d'utilisation pour obtenir les meilleures performances.

CARTER



AVERTISSEMENT :

Fixez le carter spécifique au travail à effectuer. Le carter fourni est uniquement destiné au meulage. Ne l'utilisez pas pour couper.



1. Ouvrez le levier de serrage du carter. Aligned et placez le carter sur la broche.
2. Tournez le carter dans le sens des aiguilles d'une montre jusqu'à ce qu'il protège toujours l'utilisateur

contre les blessures.

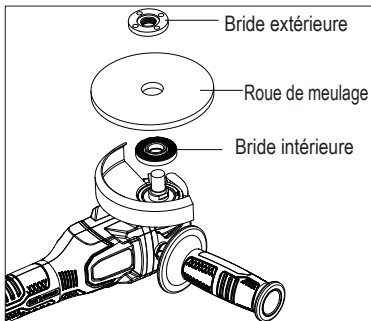
3. Fermez le levier de serrage du carter. Si nécessaire, serrez davantage la vis pour améliorer sa capacité de serrage.

ROUE DE MEULAGE



AVERTISSEMENT :

Pour réduire le risque de blessure, n'utilisez que des accessoires dont la vitesse nominale est au moins égale à la vitesse maximale indiquée sur l'outil.



1. Assemblez le boudin intérieur sur la broche.
2. Posez la meule à plat sur la boudin intérieur.
3. Fixez le côté convexe du boudin extérieur à la meule et fixez-le à l'aide de la clé tout en appuyant sur le verrouillage de la broche.



REMARQUE :

Pour la coupe, faites correspondre la surface concave à la meule de coupe.

4. Retirez la clé et relâchez le verrouillage de la broche lorsque le boudin extérieur est suffisamment serré.



AVERTISSEMENT :

N'appuyez jamais sur le verrouillage de la broche lorsque la broche est en marche.

BATTERIE

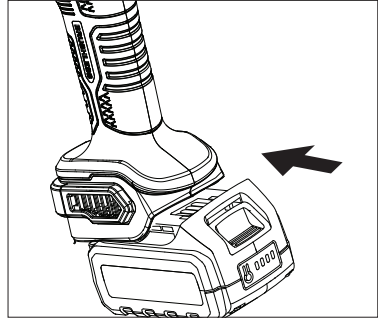


AVERTISSEMENT :

Assurez-vous que l'interrupteur marche/arrêt est éteint avant de monter la batterie.

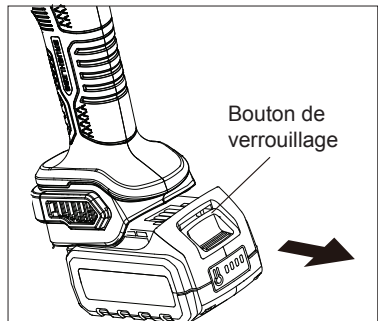
Pour installer la batterie :

Alignez et faites glisser la batterie dans le port d'accueil jusqu'à ce qu'elle soit verrouillée en place.



Pour retirer la batterie :

Appuyez sur le bouton de déverrouillage de la batterie et faites glisser la batterie vers l'extérieur.





AVERTISSEMENT :

Portez toujours une protection pour les yeux, les oreilles et les mains afin de réduire le risque de blessure lorsque vous utilisez l'outil. Gardez toutes les parties de votre corps éloignées de la roue en rotation.



AVERTISSEMENT :

Des étincelles sont produites lors du meulage du métal. Veillez à ce qu'aucun matériau combustible ne se trouve dans la zone de travail.

MISE EN MARCHÉ / ARRÊT



AVERTISSEMENT :

Ne démarrez l'outil que lorsque sa roue n'est pas en contact avec la pièce.

1. Mettez l'interrupteur marche/arrêt en position « 1 ». L'outil accélère progressivement jusqu'à ce qu'il atteigne sa vitesse maximale.
2. Mettez l'interrupteur marche/arrêt en position « 0 ». L'outil ralentit jusqu'à ce qu'il s'arrête complètement.

FONCTIONNEMENT GÉNÉRAL

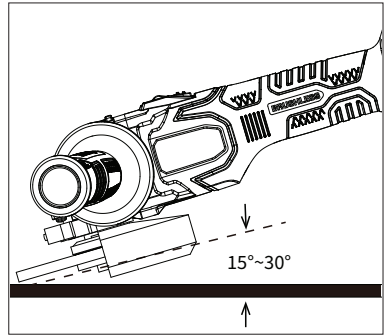
1. Testez la machine pendant une minute à la vitesse maximale avant de l'appliquer sur les pièces à usiner.
2. Cessez d'utiliser les accessoires ayant subi une chute. Les accessoires déséquilibrés ou endommagés peuvent abîmer la pièce, endommager l'outil et provoquer des contraintes susceptibles d'entraîner la défaillance de l'accessoire.
3. Guidez toujours la meuleuse avec les deux mains. Saisissez la poignée principale d'une main et une autre sur la poignée auxiliaire.
4. Utilisez la roue de coupe pour couper et la roue de meulage pour meuler.
5. Installez un carter approprié pour la coupe ou le meulage afin d'assurer une protection maximale. L'utilisation d'un carter inadapté pendant l'utilisation peut entraîner des blessures graves.
6. Fixez la pièce dans un étau ou sur un établi pour garantir la sécurité de l'opération.
7. Laissez les accessoires atteindre leur vitesse maximale avant de commencer.
8. Appliquez une pression adaptée et contrôlez le contact

entre l'accessoire et la pièce.

9. Soulevez la meuleuse pour l'éloigner de la pièce à travailler avant d'éteindre la meuleuse.
10. Éteignez l'outil et assurez-vous qu'il s'arrête complètement avant de le poser.

MEULAGE

1. Installez une roue de meulage et un carter pour le meulage recommandé par le fabricant.
2. Positionnez l'outil sur un angle de 15° à 30° pour obtenir les meilleurs résultats.



3. Ne forcez pas trop sur l'outil. Appuyez légèrement et régulièrement sur l'outil et faites-le avancer ou reculer.

COUPE

1. Placez une roue de coupe et un carter de roue de coupe recommandé par le fabricant.
2. Insérez la roue de coupe verticalement dans la surface des objets.
3. N'exercez aucune pression latérale sur la roue et ne la balancez pas d'un côté à l'autre.
4. Commencez la coupe avec des sections minimales.
5. Ne travaillez que dans le sens contraire de la course de la roue.
6. Lorsque la roue devient très chaude et que des étincelles jaillissent, arrêtez de couper et laissez refroidir à vitesse nulle pendant plusieurs minutes.

COMMENT CHARGER LA BATTERIE



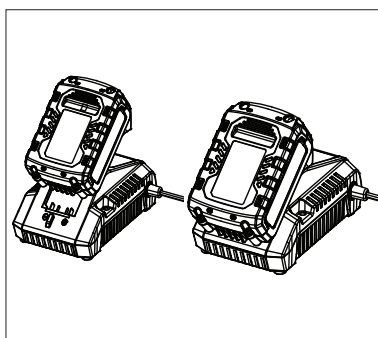
AVERTISSEMENT :

Cette batterie au lithium-ion est expédiée partiellement chargée. Chargez complètement la batterie avant de l'utiliser pour la première fois.



REMARQUE :

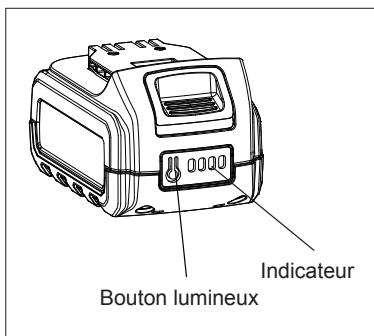
Chargez les batteries à une température ambiante comprise entre 32 °F (0 °C) - 104 °F (40 °C).



1. Chargez la batterie au lithium-ion uniquement avec le chargeur approprié.
2. Connectez le chargeur à une source d'alimentation ; l'indicateur lumineux du chargeur devient rouge.
3. Alignez les nervures surélevées de la batterie avec la fente du chargeur.
4. Insérez la batterie dans le chargeur, l'indicateur lumineux du chargeur devient vert et clignote.
5. Le chargeur communiquera avec la batterie pour évaluer le statut de charge de la batterie.
6. Il est complètement chargé lorsque les quatre lumières de la batterie s'allument. Débranchez l'alimentation électrique du chargeur. Retirez la batterie du chargeur.

INDICATEUR DE CHARGE

Appuyez sur le bouton lumineux de la batterie pour vérifier si elle doit être chargée.



Indicateur lumineux			Statut
Éclairage	Désactivé	Clignotant	
			La batterie est à pleine capacité.
			La batterie est à 75% de sa capacité.
			La batterie a une capacité de 50% et doit être rechargée.
			La batterie a une capacité de 25% et doit être rechargée rapidement.
			La batterie a moins de 5% de capacité et nécessite une charge immédiate.



AVERTISSEMENT :

Des dysfonctionnements peuvent survenir lorsque les quatre indicateurs clignotent à tour de rôle.

PROTECTION CONTRE LA SUR-CHAUFFE

Lorsque l'outil / la batterie est surchauffé, l'outil s'arrête automatiquement. Dans ce cas, laissez refroidir l'outil électrique / la batterie avant de rallumer l'outil.

PROTECTION CONTRE LA SUR-DÉCHARGE

Lorsque la capacité de la batterie n'est pas suffisante, l'outil s'arrête automatiquement. Dans ce cas, retirez la batterie de l'outil et chargez-la.



AVERTISSEMENT :

N'effectuez les travaux de nettoyage et d'entretien que conformément à ces instructions !
Tous les autres travaux doivent être effectués par un spécialiste qualifié !



AVERTISSEMENT :

POUR ÉVITER DE GRAVES BLESSURES DUES À UN FONCTIONNEMENT ACCIDENTEL :
Assurez-vous que l'interrupteur marche/arrêt est en position « 0 » et que la batterie est retirée avant d'effectuer toute procédure de cette section.
POUR ÉVITER TOUTE BLESSURE GRAVE DUE À UNE DÉFAILLANCE DE L'OUTIL :
N'utilisez pas d'équipements endommagés. Si des bruits ou des vibrations anormaux se produisent, faites corriger le problème avant de poursuivre l'utilisation.

Votre outil électrique ne contient aucune pièce pouvant être réparée par l'utilisateur.

Si l'une des conditions suivantes est constatée, cessez d'utiliser l'outil et envoyez-le au centre de service agréé pour réparation.

- batterie qui fuit, gonfle ou se fissure
- matériel desserré
- désalignement ou fixation des accessoires.
- pièces fissurées ou cassées.
- toute autre condition susceptible d'affecter son fonctionnement en toute sécurité.

NETTOYAGE

1. Nettoyez la poussière et les débris des orifices d'aération.
2. Gardez la poignée propre, sèche et exempte d'huile ou de graisse.
3. Essuyez les débris et les particules sur la roue.
4. Enlevez la saleté tenace du boîtier avec de l'air à haute pression (3 bars maximum).



REMARQUE :

N'utilisez pas de détergents ou de désinfectants chimiques, alcalins, abrasifs ou autres détergents agressifs pour

nettoyer ce produit, car ils pourraient être nocifs pour ses surfaces.

TRANSPORT

1. Ne transportez l'outil que par sa poignée.
2. Protégez le produit de tout impact important ou de fortes vibrations pouvant survenir lors du transport dans des véhicules.
3. Fixez l'appareil pour éviter qu'il ne glisse ou ne tombe.

ENTREPOSAGE

1. Nettoyez soigneusement l'outil comme décrit ci-dessus.
2. Rangez l'appareil dans un endroit sombre, sec, à l'abri du gel, bien ventilé et inaccessible aux enfants. La température de stockage idéale se situe entre 10 ° C (50 ° F) et 30 ° C (86 ° F).
3. Utilisez l'emballage d'origine pour l'entreposage ou couvrez-le d'un tissu approprié pour le protéger de la poussière.



REMARQUE :

Pour prolonger la durée de vie de la batterie, rangez-la séparément de l'outil, dans un état de charge de 30 à 50 %. Il est recommandé de charger votre batterie au moins tous les 6 mois.

MISE AU REBUT

Les déchets ne doivent pas être éliminés avec les déchets ménagers. Recyclez-les là où des installations existent.

Renseignez-vous auprès des autorités locales ou de votre détaillant pour obtenir

des conseils en matière de recyclage.

Des débris ou de la poussière peuvent être produits par l'outil pendant son fonctionnement, les utilisateurs doivent nettoyer ces objets pour protéger l'environnement.



Les produits électriques ne doivent pas être jetés avec les produits ménagers. Les produits électriques usagés doivent être recueillis séparément et éliminés dans des points de collecte prévus à cette fin. Consultez les autorités locales ou votre revendeur pour obtenir des conseils sur le recyclage.

GUIDE DE DÉPANNAGE

Les dysfonctionnements suspectés sont souvent dus à des causes que les utilisateurs peuvent résoudre eux-mêmes. Par conséquent, vérifiez le produit en utilisant ce paragraphe. Dans la plupart des cas, le problème peut être résolu rapidement.

PROBLÈME	CAUSE POSSIBLE	SOLUTION
Le produit ne démarre pas	Sélecteur de direction en position de verrouillage central	Poussez le sélecteur de direction du bon côté
	La batterie n'est pas correctement fixée	Fixez-la correctement
	La batterie est complètement déchargée	Chargez la batterie.
Le produit n'atteint pas sa pleine puissance	La batterie est trop faible	Chargez la batterie.
	La batterie a atteint son cycle de vie	Remplacez-la par une nouvelle batterie
Résultat non satisfaisant	L'embout de la perceuse ou du tournevis est émoussé ou endommagé.	Remplacez-le par un nouvel embout
	L'embout du tournevis / de la douille ne convient pas à l'utilisation prévue.	Utilisez un embout approprié

GARANTIE

GARANTIE LIMITÉE

Garantie limitée de 5 ans sur tous les équipements extérieurs alimentés par batterie de la série Senix X2. Garantie limitée de 3 ans sur toutes les batteries et chargeurs Senix X2.*

PENDANT CINQ ANS à compter de la date d'achat d'origine, ce produit Senix est garanti contre les défauts de matériaux ou de fabrication des outils électriques. Le produit défectueux recevra une réparation gratuite.*

PENDANT TROIS ANS à compter de la date d'achat originale, ce produit Senix est garanti contre les défauts de matériaux ou de fabrication des batteries et des chargeurs. Le produit défectueux recevra une réparation gratuite.*

Ce produit Senix est garanti PENDANT DEUX ANS à compter de la date d'achat d'origine, contre les défauts de matériaux ou de fabrication de la batterie. Le produit défectueux sera réparé gratuitement.*

Cette garantie ne couvre pas l'usure normale des pièces et des composants tels que la chaîne de coupe, le fil ou les lames, et cette garantie ne couvre pas les frais de transport du produit pour la garantie ou l'entretien.

La garantie est sujette aux deux conditions suivantes :

- La garantie s'applique à l'acheteur original au détail et n'est pas transférable *
- Enregistrement de la garantie sur www.senixtools.com
- L'outil n'a pas été utilisé incorrectement, abusé, négligé, altéré, modifié ou réparé par quiconque d'autre qu'un centre d'entretien autorisé.
- Seuls les accessoires Senix authentiques ont été utilisés avec ou sur ce produit.
- L'outil a été soumis à une usure normale.
- L'outil n'a pas été utilisé à des fins commerciales ou professionnelles
- L'outil n'a pas été utilisé à des fins locatives.
- Cette garantie ne couvre que les défauts résultant d'une utilisation normale et ne couvre pas les dysfonctionnements, défaillances ou défauts résultant d'une utilisation incorrecte, d'un abus (surcharge du produit, exposition à l'eau ou à la pluie), d'une négligence ou d'un défaut d'installation, d'entretien ou de stockage. .

Pour localiser votre fournisseur de services Senix le plus proche, appelez gratuitement le 800-261-3981 ou envoyez-nous un e-mail sur service@senixtools.com.

Limitations supplémentaires

Toute garantie implicite accordée en vertu de la législation en vigueur, y compris les garanties de qualité marchande ou d'adéquation à un usage particulier, est limitée à trois ans à compter de la date d'achat pour les outils électriques et les chargeurs et à sept ans pour les batteries. Le fabricant n'est pas responsable des dommages directs, indirects, accessoires ou consécutifs. Certains états et provinces n'autorisent pas les limitations sur la durée d'une garantie implicite et / ou n'autorisent pas l'exclusion ou la limitation des dommages accessoires, et dans ce cas, les restrictions décrites précédemment ne s'appliquent pas. Cette garantie vous donne des droits légaux spécifiques, et vous pouvez également avoir d'autres droits qui varient d'un état à l'autre ou d'une province à l'autre.

YAT USA décline toute responsabilité en matière de responsabilité civile résultant d'une utilisation abusive ou non conforme à une utilisation et une maintenance correctes de la machine telles que décrites dans le manuel de l'utilisateur.

YAT USA n'est pas responsable des dommages directs, indirects, accessoires ou consécutifs.

Après l'achat, le fabricant recommande un entretien approprié de la machine et de lire le manuel de l'utilisateur avant d'utiliser la machine.

* Un reçu d'achat original peut être exigé comme preuve d'achat.

Pour le service à la clientèle, contactez-nous gratuitement au 1-800-261-3981 ou sur Senixtools.com.

10506 Bryton Corporate Center Dr, #500 Huntersville, NC 28078