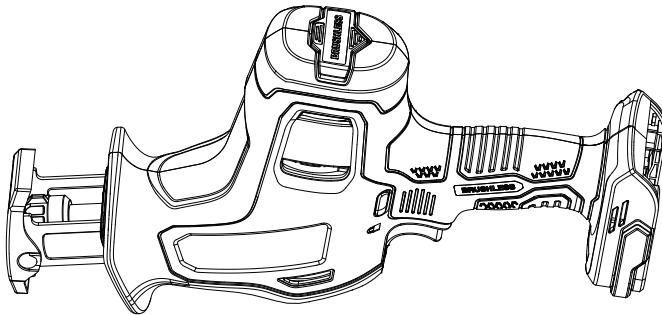




20V MAX LITHIUM ION CORDLESS RECIPROCATING SAW (7/8")

Operator's manual
Model: PSRX2-M2
PSRX2-M2-0



For customer support, please call 1-800-261-3981 or send email to:
Service@senixtools.com
SAVE THIS MANUAL FOR FUTURE REFERENCE.

ORIGINAL INSTRUCTIONS

TABLE OF CONTENTS

SAFETY & INTERNATIONAL SYMBOLS	2
SAFETY INSTRUCTIONS.....	3
KNOW YOUR UNIT.....	10
SPECIFICATIONS*.....	11
ASSEMBLY.....	12
OPERATION.....	13
MAINTENANCE.....	16
TROUBLESHOOTING.....	17
WARRANTY.....	18

SAFETY & INTERNATIONAL SYMBOLS

Explanation of Safety & international symbols describes safety and international symbols and pictographs that may appear on this product. Read the operator's manual for complete safety, assembly, operating and maintenance and repair information.



Caution / Warning.



Use and store the battery within an temperature below 122°F(50°C).



To reduce the risk of injury, user must read instruction manual.



Do not disassemble, crush, heat above 212°F(100°C); Never expose the battery to microwaves or high pressures.



Wear eye protection.



Keep bystanders a safe distance away from the work area.



Wear a dust mask.



Indoor use only. Only use battery charger indoors.



Wear safety footwear.



Wear protective gloves.



Do not dispose of battery packs in rivers or immerse in water.



Do not dispose of battery packs in fire. They will explode and cause injury.

SAFETY INSTRUCTIONS

GENERAL POWER TOOL SAFETY WARNINGS

WARNING!

Read all safety warnings, instructions, illustrations and specifications, provided with this power tool. Failure to follow all instructions listed below may result in electric shock, fire and/or serious injury.

Save all warnings and instructions for future reference.

The term "power tool" in the warnings refers to your mains-operated (corded) power tool or battery-operated (cordless) power tool.

1) Work Area Safety

- a) **Keep work area clean and well lit.** Cluttered or dark areas invite accidents.
- b) **Do not operate power tools in explosive atmospheres, such as in the presence of flammable liquids, gases or dust.** Power tools create sparks which may ignite the dust or fumes.
- c) **Keep children and bystanders away while operating a power tool.** Distractions can cause you to lose control.

2) Electrical Safety

- a) **Power tool plugs must match the outlet. Never modify the plug in any way. Do not use any adapter plugs with earthed (grounded) power tools.** Unmodified plugs and matching outlets will reduce risk of electric shock.
- b) **Avoid body contact with earthed or grounded surfaces, such as pipes, radiators, ranges and refrigerators.** There is an increased risk of electric shock if your body is earthed or grounded.
- c) **Do not expose power tools to rain or wet conditions.** Water entering a power tool will increase the risk of electric shock.
- d) **Do not abuse the cord. Never use the cord for carrying, pulling or unplugging the power tool. Keep cord away from heat, oil, sharp edges or moving parts.** Damaged or entangled cords increase the risk of electric shock.
- e) **When operating a power tool outdoors, use an extension cord suitable for outdoor use.** Use of a cord suitable for

outdoor use reduces the risk of electric shock.

- f) **If operating a power tool in a damp location is unavoidable, use a residual current device (RCD) protected supply.** Use of an RCD reduces the risk of electric shock.

3) Personal Safety

- a) **Stay alert, watch what you are doing and use common sense when operating a power tool. Do not use a power tool while you are tired or under the influence of drugs, alcohol or medication.** A moment of inattention while operating power tools may result in serious personal injury.
- b) **Use personal protective equipment. Always wear eye protection.** Protective equipment such as a dust mask, non-skid safety shoes, hard hat or hearing protection used for appropriate conditions will reduce personal injuries.
- c) **Prevent unintentional starting. Ensure the switch is in the off-position before connecting to power source and/or battery pack, picking up or carrying the tool.** Carrying power tools

with your finger on the switch or energising power tools that have the switch on invites accidents.

- d) **Remove any adjusting key or wrench before turning the power tool on.** A wrench or a key left attached to a rotating part of the power tool may result in personal injury.
- e) **Do not overreach. Keep proper footing and balance at all times.** This enables better control of the power tool in unexpected situations.
- f) **Dress properly. Do not wear loose clothing or jewellery. Keep your hair and clothing away from moving parts.** Loose clothes, jewellery or long hair can be caught in moving parts.
- g) **If devices are provided for the connection of dust extraction and collection facilities, ensure these are connected and properly used.** Use of dust collection can reduce dust-related hazards.
- h) **Do not let familiarity gained from frequent use of tools allow you to become complacent and ignore tool safety principles.** A careless action can cause severe injury within a fraction of a second.

4) Power Tool Use And Care

- a) **Do not force the power tool.** Use the correct power tool for your application. The correct power tool will do the job better and safer at the rate for which it was designed.
- b) **Do not use the power tool if the switch does not turn it on and off.** Any power tool that cannot be controlled with the switch is dangerous and must be repaired.
- c) **Disconnect the plug from the power source and/or remove the battery pack, if detachable, from the power tool before making any adjustments, changing accessories, or storing power tools.** Such preventive safety measures reduce the risk of starting the power tool accidentally.
- d) **Store idle power tools out of the reach of children and do not allow persons unfamiliar with the power tool or these instructions to operate the power tool.** Power tools are dangerous in the hands of untrained users.
- e) **Maintain power tools and accessories. Check for misalignment or binding of**

moving parts, breakage of parts and any other condition that may affect the power tool's operation. If damaged, have the power tool repaired before use. Many accidents are caused by poorly maintained power tools.

- f) **Keep cutting tools sharp and clean.** Properly maintained cutting tools with sharp cutting edges are less likely to bind and are easier to control.
- g) **Use the power tool, accessories and tool bits etc. in accordance with these instructions, taking into account the working conditions and the work to be performed.** Use of the power tool for operations different from those intended could result in a hazardous situation.
- h) **Keep handles and grasping surfaces dry, clean and free from oil and grease.** Slippery handles and grasping surfaces do not allow for safe handling and control of the tool in unexpected situations.

5) Battery Tool Use And Care

- a) **Recharge only with the charger specified by the**

- manufacturer.** A charger that is suitable for one type of battery pack may create a risk of fire when used with another battery pack.
- b) **Use power tools only with specifically designated battery packs.** Use of any other battery packs may create a risk of injury and fire.
 - c) **When battery pack is not in use, keep it away from other metal objects, like paper clips, coins, keys, nails, screws or other small metal objects, that can make a connection from one terminal to another.** Shorting the battery terminals together may cause burns or a fire.
 - d) **Under abusive conditions, liquid may be ejected from the battery; avoid contact. If contact accidentally occurs, flush with water. If liquid contacts eyes, additionally seek medical help.** Liquid ejected from the battery may cause irritation or burns.
 - e) **Do not use a battery pack or tool that is damaged or modified.** Damaged or modified batteries may exhibit unpredictable behaviour resulting in fire, explosion or risk of injury.
 - f) **Do not expose a battery pack or tool to fire or excessive temperature.** Exposure to fire or temperature above 266°F(130 °C) may cause explosion.
 - g) **Follow all charging instructions and do not charge the battery pack or tool outside the temperature range specified in the instructions.** Charging improperly or at temperatures outside the specified range may damage the battery and increase the risk of fire.
- ## 6) Service
- a) **Have your power tool serviced by a qualified repair person using only identical replacement parts.** This will ensure that the safety of the power tool is maintained.
 - b) **Never service damaged battery packs.** Service of battery packs should only be performed by the manufacturer or authorized service providers.
- ## SAFETY WARNINGS FOR RECIPROCATING SAWS
- a) **Hold the power tool by insulated gripping surfaces,**

- when performing an operation where the cutting accessory may contact hidden wiring or its own cord. Cutting accessory contacting a “live” wire may make exposed metal parts of the power tool “live” and could give the operator an electric shock.
- b) **Use clamps or another practical way to secure and support the workpiece to a stable platform.** Holding the workpiece by hand or against your body leaves it unstable and may lead to loss of control.
 - c) **Keep hands away from moving parts.** Never place your hands near the cutting area.
 - d) **Use extra caution when cutting overhead and pay particular attention to overhead wires which may be hidden from view.** Anticipate the path of falling branches and debris ahead of time.
 - e) **Do not operate this tool for long periods of time.** Vibration caused by the operating action of this tool may cause permanent injury to fingers, hands, and arms. Use gloves to provide extra cushion, take frequent rest periods, and limit daily time of use.
 - f) **Avoid prolonged contact with dust from power sanding, sawing, grinding, drilling, and other construction activities. Wear protective clothing and wash exposed areas with soap and water.** Allowing dust to get into your mouth, eyes, or lay on the skin may promote absorption of harmful chemicals.
 - g) **Avoid unintentional starting.** Prepare to begin work before turning on the tool.
 - h) **Do not lay the tool down until it has come to a complete stop.** Moving parts can grab the surface and pull the tool out of your control.
 - i) **When using a handheld power tool, maintain a firm grip on the tool with both hands to resist starting torque.**
 - j) **Do not leave the tool unattended when the Battery Pack is connected.** Turn off the tool, and remove the Battery Pack before leaving.
 - k) **This product is not a toy. Keep it out of reach of children.**

SAFETY WARNING FOR BATTERY PACK AND BATTERY CHARGER

- Recharge only with the charger specified by the manufacturer. A

charger that is suitable for one type of battery pack may create a risk of fire when used with another battery pack.

- Use appliances only with specifically designated battery packs. Use of any other battery packs may create a risk of injury and fire.

WARNING!

Use only the following type and size battery: B25X2/B50X2.

- When battery pack is not in use, keep it away from other metal objects, like paper clips, coins, keys, nails, screws or other small metal objects, that can make a connection from one terminal to another. Shorting the battery terminals together may cause burns or a fire.
- Under abusive conditions, liquid may be ejected from the battery; avoid contact. If contact accidentally occurs, flush with water. If liquid contacts eyes, additionally seek medical help. Liquid ejected from the battery may cause irritation or burns. (This advice is considered correct for conventional NiMh, NiCd, lead acid and lithium-ion cell types. If this advice

is incorrect for a cell design that differs from these, then the correct advice may be substituted.)

- Do not use a battery pack or appliance that is damaged or modified. Damaged or modified batteries may exhibit unpredictable behavior resulting in fire, explosion or risk of injury.
- Do not expose a battery pack or appliance to fire or excessive temperature. Exposure to fire or temperature above 266°F(130°C) may cause explosion.
- Follow all charging instructions and do not charge the battery pack or appliance outside of the temperature range specified in the instructions. Charging improperly or at temperatures outside of the specified range may damage the battery and increase the risk of fire.
- Do not modify or attempt to repair the appliance or the battery pack (as applicable) except as indicated in the instructions for use and care.

VIBRATION + NOISE REDUCTION

To reduce the impact of noise and vibration emission, limit the time of

operation, use low-vibration and low-noise operating modes as well as wear personal protective equipment. Take the following points into account to minimise the vibration and noise exposure risks.

- Only use the product as intended by its design and these instructions.
- Ensure that the product is in good condition and well maintained.
- Use correct attachments for the product and ensure they are in good condition.
- Keep tight grip on the handles/ grip surface.
- Maintain this product in accordance with these instructions and keep it well lubricated (where appropriate).
- Plan your work schedule to spread any high vibration tool use across a longer period of time.

EMERGENCY

Familiarize yourself with the use of this product by means of this instruction manual. Memorize the safety directions and follow them to the letter. This will help to prevent risks and hazards.

- Always be alert when using

this product, so that you can recognize and handle risks early. Fast intervention can prevent serious injury and damage to property.

- Switch off the product and remove the battery pack if there are malfunctions. Have the product checked by a qualified professional and repaired, if necessary, before you operate it again.

KNOW YOUR UNIT

APPLICATIONS

Model: PSRX2-M2

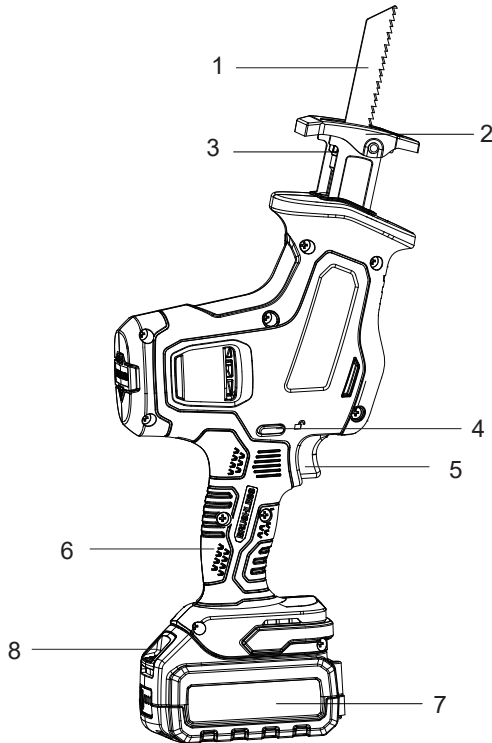
As a cordless reciprocating saw:

Cutting wood, metal and plastic materials.





NOTE:

PSRX2-M2-0 does not include charger and battery pack.



- | | |
|------------------|-------------------|
| 1. Blade | 5. Switch Trigger |
| 2. Pivoting Shoe | 6. Handle |
| 3. Collet | 7. Battery Pack |
| 4. Trigger Lock | 8. Unlock Button |

SPECIFICATIONS*

Model	PSRX2-M2	
Rated Voltage	18V d.c.	
No Load Speed	3000 spm	
Stroke Length	7/8 "	
Cutting Capacity		
Wood	1.58 ""*7.87 "	
(Mild Steel Pipe	2.36 ""*0.12 "	
Weight(Without battery)	3.77 lbs	
Battery model	B25X2	B50X2
Rated voltage	18 V 	18 V 
Rated capacity	2.5 Ah	5.0 Ah
Weight	0.74 lbs	1.43 lbs
Charger model	CHX2	
Rated input	100-240 V ~ 50/60 Hz	
Rated output	21 V, 2000 mA	
Charging time (with 2.5 Ah battery)	85 min	
Charging time (with 5.0 Ah battery)	130 min	
Protection class(for charger)	□ / II	
Weight	0.75 lbs	

Model	PSRX2-M2-0	
Rated Voltage	18V d.c.	
No Load Speed	3000 spm	
Stroke Length	7/8 "	
Cutting Capacity		
Wood	1.58 ""*7.87 "	
Mild Steel Pipe	2.36 ""*0.12 "	
Weight(Without battery)	3.77 lbs	
Battery model	Not included	
Charger model	Not included	

ASSEMBLY

1. Unpack all parts and lay them on a flat, stable surface:
2. Remove all packing materials and shipping devices, if applicable.
3. The scope of delivery varies depending on the country and purchased variant.
Model of PSRX2-M2

- Reciprocating saw x1
- Blade x1
- Battery pack x1
- Charger x1
- Instruction manual x1

4. If you find that parts are missing or show damage do not use the product but contact your dealer. Using an incomplete or damaged product represents a hazard to people and property.
5. Ensure that you have all the accessories and tools needed for assembly and operation. This also includes suitable personal protective equipment.



NOTE:

PSRX2-M2 includes charger and battery pack.

PSRX2-M2-0 does not include charger and battery pack.



WARNING:



Wear protective gloves for this assembly work and always lay the product on a flat and stable surface while assembling.



Follow the assembly instructions step-by-step and use the pictures provided as a visual guide to easily assemble the product!

Do not insert the battery pack before the power tool is completely assembled or adjusted!

BLADE

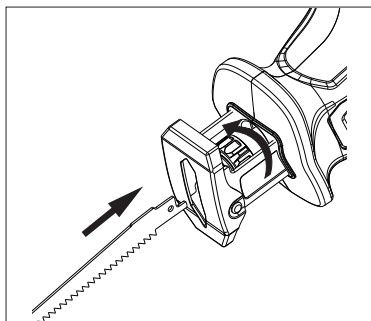


WARNING:

Never attach a bend blade or operate the saw with a loose blade.

To install:

Twist open collet and insert blade as far as into it. Once released, the blade will be firmly held in place. Pull the blade to make sure it is securely clamped.



To remove:
Twist open the collet and pull the blade out.



WARNING:

Blade may be hot after use. Make sure it is completely cooled down before touching.

BATTERY PACK

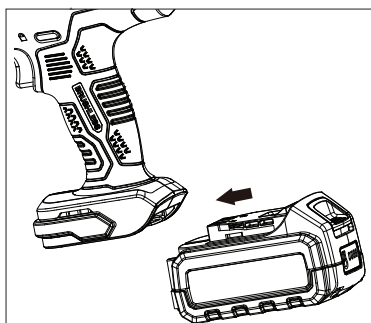


NOTE:

Prior to installation, lock the switch trigger by trigger lock to avoid unintentional start.

To install:

Align and slide the battery pack to the docking port until it is locked in place.



To remove:
Press the unlock button and slide the battery pack out.

OPERATION



WARNING:

Always wear eye, hearing, hand protection to reduce the risk of injury when operating the tool. Keep all parts of your body away from the rotating bit.

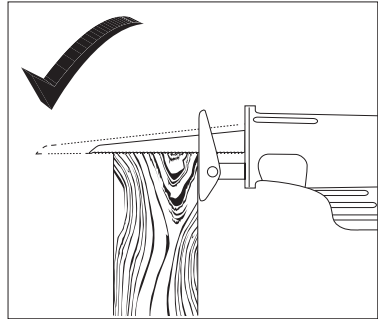
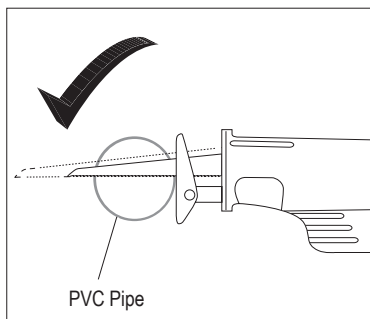


WARNING:

Before cutting any type of material, be sure it is firmly clamped to prevent slipping.

WORKPIECE AND WORK AREA SET UP

1. Designate a work area that is clean and well lit. The work area must not allow access by children or pets to prevent distraction and injury.
2. Secure loose workpieces using a vise or clamps to prevent movement while working.
3. There must not be objects, such as utility lines, nearby that will present a hazard while working. This is especially critical for plunge cuts.
4. Using a glove, push blade holder all the way back. The workpiece must be thinner than the minimum blade extension.

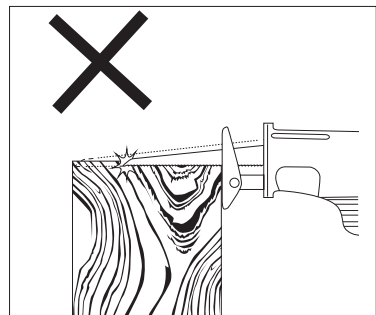
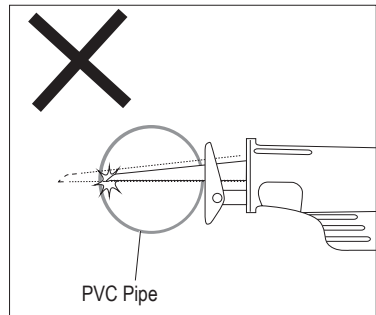


5. Blade breakage may occur if the blade does not extend past the shoe and the workpiece during the cut. Properly sized workpiece is important for operation.



WARNING:

To prevent injury, do not use on workpieces thicker than the minimum blade extension at their maximum thickness. Blade tip can strike workpiece and may shatter.



SWITCHING ON/OFF

Unlock the switch trigger by trigger lock then squeeze the switch trigger to start the saw.

The saw stops once switch trigger is released. When the tool is not in use, turn the trigger lock to "Lock" position in case of unintentional start.

GENERAL INSTRUCTIONS FOR USE

1. Grip saw firmly with both hands, rest the front of the pivoting shoe on workpiece with blade above the work.
2. Rest the pivoting shoe on the workpiece (be sure the blade is not touching the workpiece).
3. Allow saw to reach desired speed before guiding into workpiece.



NOTE:

Use faster speed when cutting softer materials. Use slower speed when cutting harder materials.

4. Do not force the cut. Follow cut and maintain a smooth motion.
5. Keep the pivoting shoe firmly against the workpiece at all times. Never bend the blade.
6. Saw shuts down when the blade is jammed. Remove the blade from cut and restart.
7. Replace blade when it becomes dull.
8. To prevent accidents, turn off the tool and lock the trigger, remove its battery pack after use. Clean, then store the tool indoors out of children's reach.



WARNING:

Prevent dust accumulation at workplace. Dust can easily ignite.

PLUNGE CUTTING



NOTE:

Plunge cut into plywood, sheetrock, and thin board panels. Do not attempt to plunge cut into thick, hard wood or metal panels.

1. Mark cut line on the workpiece.
2. Place pivoting shoe on workpiece with blade parallel to cut line, and not touching workpiece.



WARNING:

To prevent serious injury due to kickback, do not start a plunge cut with saw blade touching workpiece.

3. Start the saw and allow it to reach full speed.
4. Guide the blade into workpiece. Slowly tilt the saw until the blade is perpendicular to the workpiece.
5. Maintain the smooth cut along the line to complete the cut.

METAL CUTTING

1. Install a blade specially designed for metal cutting.
2. Coat the cutting surface with cutting oil to prevent the blade from overheating.
3. Follow GENERAL INSTRUCTION FOR USE.

HOW TO CHARGE THE BATTERY PACK



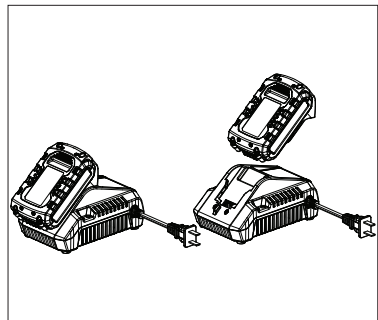
WARNING:

This Lithium-Ion battery pack is shipped partially charged. Fully charge the battery pack before using it for the first time.



NOTE:

Charging batteries at a ambient temperature of 32°F(0°C)-104°F(40°C).



1. Charge the Lithium-Ion battery pack only with the correct charger.

2. Connect the charger to a power supply, the light indicator of the charger turns red.
3. Align the raised ribs of the battery pack with the slot in the charger.
4. Insert the battery pack into the charger, the light indicator of the charger turns green and it flashes.
5. The charger will communicate with the battery pack to evaluate the condition of the battery pack.
6. It is fully charged that the four lights of the battery turn on. Disconnect the power supply from the charger. Remove battery pack from the charger.



WARNING:

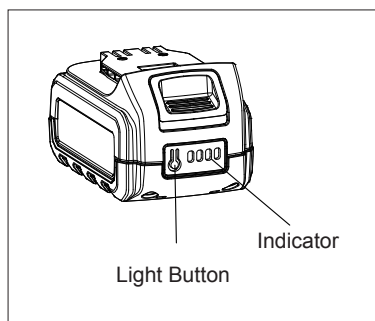
Malfunctions may occur when the four lights blinking in turns.

OVERHEAT PROTECTION

When the tool/battery is overheated, the tool stops automatically. In this situation, let the power tool/battery cool before turning the tool on again.

CHARGING INDICATOR

Press the light button on the battery pack to check whether it needs to charge.



OVERDISCHARGE PROTECTION

When the battery capacity is not enough, the tool stops automatically. In this case, remove the battery from the tool and charge the battery.

Lights			Status
Lighted	Off	Blinking	
█	□	▤	
█ █ █ █			The battery is at full capacity.
█ █ █ □			The battery is at 75% capacity.
█ █ □ □			The battery is at 50% capacity and requires charging.
█ □ □ □			The battery is at 25% capacity and requires charging soon.
▤ □ □ □			The battery is less than 5% capacity and requires charging immediately.



WARNING:

Only perform cleaning and maintenance work according to these instructions!
All further works must be performed by a qualified specialist!



WARNING:

TO PREVENT SERIOUS INJURY FROM ACCIDENTAL OPERATION:

Make sure the trigger is locked and battery pack is removed before performing any procedure in this section.

TO PREVENT SERIOUS INJURY FROM TOOL FAILURE:

Do not use damaged equipments.

If abnormal noise or vibration occurs, have the problem corrected before further use.

There are no user-serviceable parts in your power tool. If any of following condition are found, stop using it and send it to the authorized service center for repair.

- leaking, swollen, or cracked battery pack
- loose hardware
- misalignment or binding of accessories.
- cracked or broken parts.
- any other condition that may affect its safe operation.

CLEANING

1. Clean dust and debris from air vents.
2. Keep handle clean, dry and free of oil or grease.
3. Make sure the collet is free of chips and sawdust.
4. Remove stubborn dirt from housing with high pressure air (max. 3 bar).



NOTE:

Do not use chemical, alkaline, abrasive or other aggressive detergents or disinfectants to clean this product as they might be harmful to its surfaces.

TRANSPORTATION

1. Only carry by its handle.
2. Remove or cover the blade during the transport.
3. Protect from any heavy impact or strong vibrations which may occur during transportation in vehicles.
4. Secure to prevent it from slipping or falling over.

STORAGE

1. Clean thoroughly as described above.
2. Store in a dark, dry, frost-free and well-ventilated area that is inaccessible to children. The ideal storage temperature is between 50°F(10°C) and 86°F(30°C).
3. Use original package for storage or cover with a suitable cloth to protect it against dust.



NOTE:

To prolong battery life, store the battery pack separately from the tool in a 30%-50% charged condition. It's recommended to have your battery pack charged at least every 6 months.

DISPOSAL

Waste product should not be disposed of with household waste. Please recycle where facilities exist. Check with your local authority or retailer for recycling advice.

Chips or sawdust may produced by the tool during operation, users should clean these objects to protect environment.



Electrical products should not be discarded with household products. Used electrical products must be collected separately and disposed of at collection points provided for this purpose. Talk with your local authorities or dealer for advice on recycling.

TROUBLESHOOTING

Suspected malfunctions are often due to causes that the users can fix themselves. Therefore, check the product using this section. In most cases the problem can be solved quickly.

PROBLEM	POSSIBLE CAUSE	SOLUTION
Product does not start.	The switch trigger is locked	Unlock the switch trigger by trigger lock.
	Battery pack not properly attached	Attach properly.
	Battery pack completely discharged	Charge the battery pack.
Tool operates slowly.	Forcing tool to work too fast.	Allow tool to work at its own rate.
	Battery power is too low.	Charge the battery pack.
Performance decreases over time.	Blade is dull or damaged.	Keep blades sharp. Replace with a new one if necessary.
	Battery pack reaches its life cycle.	Replace with a new one.
Excessive noise.	Internal damage or wear. (bearings, for example.)	Have technician service tool.
Overheating	Forcing tool to work too fast.	Allow tool to work at its own rate.
	Blade dull or damaged.	Keep blades sharp. Replace as needed.
	Blocked motor housing vents.	Blow dust out of motor using compressed air.

WARRANTY

LIMITED WARRANTY

5 year limited warranty on all Senix X2 series outdoor battery powered equipment and charger. 3-year limited warranty on all Senix X2 batteries.*

FOR FIVE YEARS from the original date of retail purchase this Senix product is warranted against defects in materials or workmanship on power tools and chargers. Defective product will receive free repair.*

FOR THREE YEARS from the original date of retail purchase this Senix product is warranted against defects in materials or workmanship on batteries. Defective product will receive free repair.*

This warranty does not cover normal wear of parts and components such as cutting chain, line or blades nor does this warranty cover product transportation cost for warranty or service.

Warranty is subject to the following conditions:

- Warranty applies to the original purchaser at retail and is not transferrable*
- Warranty Registration at www.senixtools.com
- The tool has not been misused, abused, neglected, altered, modified or repaired by anyone other than an authorized service center
- Only genuine Senix accessories have been used with or on this product
- The tool has been subjected to normal wear and tear
- The tool has not been used for trade or professional purposes
- The tool has not been used for rental purposes
- This warranty only covers defects arising under normal usage and does not cover any malfunction, failure or defect resulting from misuse, abuse (including overloading the product, exposure to water or rain) accidents, neglect or lack of proper installation and improper maintenance or storage.

To locate your nearest Senix service provider call toll free at 800-261-3981 or email us at service@senixtools.com.

Additional Limitations

Any implied warranty granted under state law, including warranties of merchantability or fitness for a particular purpose, are limited to three years from the date of purchase on power tools and chargers and seven years on batteries. The manufacturer is not responsible for direct, indirect, incidental or consequential damages. Some states and provinces do not allow limitations on how long an implied warranty lasts and/or do not allow the exclusion or limitation of incidental damages, so the above limitations and exclusions may not apply to you. This warranty gives you specific legal rights, and you may also have other rights which vary from state to state or province to province.

The YAT USA declines any responsibility in regard to civil liability arising from abusive use or not in conformity with proper use and maintenance of the machine as described in the operator's manual.

YAT USA is not responsible for direct, indirect, incidental or consequential damages.

After the purchase, the manufacturer recommends proper maintenance of the machine and to read the operator's manual before using the machine.

*Original purchase receipt may be required for proof of purchase

For customer service contact us toll free at 1-800-261-3981 or Senixtools.com.

10506 Bryton Corporate Center Dr, #500 Huntersville, NC 28078

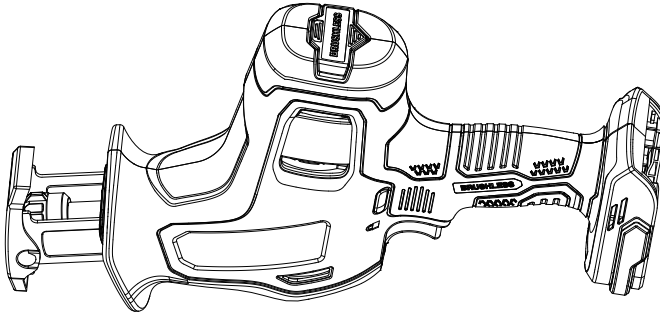


SIERRA DE MOVIMIENTO ALTERNATIVO SIN CABLE CON IONES DE LITIO DE 20V MÁX (7/8")

Manual del operador

Model:PSRX2-M2

PSRX2-M2-0



Para el servicio de atención al cliente, llame al 1-800-261-3981 o envíe un email a:

Service@senixtools.com

GUARDE ESTE MANUAL PARA FUTURAS CONSULTAS.

INSTRUCCIONES ORIGINALES

ÍNDICE

SÍMBOLOS INTERNACIONALES Y DE SEGURIDAD.....	20
INSTRUCCIONES DE SEGURIDAD.....	21
CONOZCA SU UNIDAD.....	29
ESPECIFICACIONES*.....	30
ENSAMBLAJE.....	31
OPERACIÓN.....	32
MANTENIMIENTO.....	35
SOLUCIÓN DE PROBLEMAS.....	36
GARANTÍA.....	37

SEGURIDAD Y SÍMBOLOS INTERNACIONALES

Este manual del operador describe la seguridad y los símbolos y pictogramas internacionales que pueden aparecer en este producto. Lea el manual del operador para obtener información completa sobre seguridad, montaje, operación y mantenimiento y reparación.



Precaución / Advertencia.



Use y guarde la batería a una temperatura inferior a 122°F (50°C).



Para reducir el riesgo de lesiones, el usuario debe leer y entender el manual de instrucciones.



No desensamble, aplaste o caliente por encima de los 212°F (100°C). Nunca exponga la batería a microondas o altas presiones.



Use protección para los ojos.



Mantenga a los transeúntes a una distancia segura de la zona de trabajo.



Use una mascarilla antipolvo.



Para uso solo en interiores. Utilice el cargador de batería únicamente en interiores.



Use calzado de seguridad.



Use guantes de protección.



No deseche los paquetes de baterías en los ríos ni los sumerja en agua.



No arroje los paquetes de baterías al fuego. Explotarán y causarán lesiones.

INSTRUCCIONES DE SEGURIDAD

ADVERTENCIAS DE SEGURIDAD GENERALES PARA HERRAMIENTAS ELÉCTRICAS



¡ADVERTENCIA!

Lea todas las advertencias de seguridad, instrucciones, ilustraciones y especificaciones que se ofrecen con esta herramienta eléctrica. Si no se cumple con todas las instrucciones enumeradas a continuación, se pueden provocar descargas eléctricas, incendios y/o lesiones personales graves.

Guarde todas las advertencias e instrucciones para su consulta futura.

El término "herramienta eléctrica" que aparece en las advertencias se refiere a sus herramientas alimentadas por la red eléctrica (con cable) o a sus herramientas alimentadas por batería (sin cable o inalámbricas).

1) Seguridad en el área de trabajo

- a) **Conserve el área de trabajo limpia y bien iluminada.** Las áreas desordenadas u oscuras propician accidentes.
- b) **No opere herramientas eléctricas en ambientes explosivos, como ante la presencia de líquidos, gases o polvos in-**

flamables. Las herramientas eléctricas generan chispas que pueden hacer arder el polvo o los vapores.

- c) **Mantenga a los niños y espectadores alejados mientras esté operando una herramienta eléctrica.** Las distracciones pueden hacerle que pierda el control.

2) Seguridad eléctrica

- a) **Los enchufes de las herramientas eléctricas deben coincidir con el tomacorriente. Nunca modifique el enchufe de ninguna manera. No utilice enchufes adaptadores con herramientas eléctricas conectadas a tierra.** Los enchufes sin modificar y los tomacorrientes coincidentes reducirán el riesgo de descarga eléctrica.
- b) **Evite el contacto con superficies puestas a tierra, como tuberías, radiadores, cocinas o refrigeradores.** Hay un riesgo mayor de descarga eléctrica si su cuerpo está a tierra.
- c) **No exponga las herramientas eléctricas a la lluvia o a condiciones húmedas.** El agua que ingresa a una herramienta

eléctrica aumentará el riesgo de descarga eléctrica.

- d) **No maltrate el cable. Nunca use el cable para transportar, desenchufar o tirar de la herramienta eléctrica. Mantenga el cable alejado del calor, el aceite, los bordes afilados o las piezas móviles.** Los cables dañados o enredados aumentan el riesgo de descarga eléctrica.
- e) **Cuando opere una herramienta eléctrica al aire libre, use un cable de extensión para uso en exteriores.** El uso de un cable para exteriores reduce el riesgo de descarga eléctrica.
- f) **Si no puede evitar operar una herramienta eléctrica en un lugar húmedo, use un suministro eléctrico protegido mediante un dispositivo de corriente residual (DCR).** El uso de un DCR reduce el riesgo de electrocución.

3) Seguridad personal

- a) **Manténgase alerta, preste atención a lo que está haciendo y use el sentido común cuando opere una herramienta eléctrica. No utilice una herramienta eléctrica cuando esté cansado o bajo la influencia**

de drogas, alcohol o medicamentos. Un momento de descuido durante la operación de herramientas eléctricas puede provocar una lesión personal seria.

- b) **Use los equipos de protección personal. Use siempre protección para los ojos.** Los equipos de protección que utilice para las condiciones adecuadas, como mascarillas antipolvo, zapatos de seguridad antideslizantes o protección auditiva, reducirán las lesiones personales.
- c) **Evite arranques accidentales. Asegúrese que el interruptor esté en la posición de OFF (apagado) antes de conectar la fuente de energía y/o el bloque de baterías, recoger la herramienta o transportarla.** Transportar herramientas eléctricas con el dedo en el interruptor o energizar herramientas eléctricas con el interruptor encendido, invita a accidentes.
- d) **Retire cualquier llave de ajuste antes de encender la herramienta eléctrica.** Cualquier llave de ajuste que se deje acoplada a una pieza giratoria de la herramienta eléctrica puede causar lesiones personales.

- e) **No extienda el cuerpo en exceso. Mantenga su posición de pie y su equilibrio en todo momento.** Esto permite un mejor control de la herramienta eléctrica en situaciones inesperadas.
- f) **Vístase correctamente. No use ropa suelta ni joyas. Mantenga su cabello y ropa alejados de las piezas móviles.** La ropa suelta, las joyas o el cabello largo pueden atascarse en las piezas móviles.
- g) **Si se suministran dispositivos para la conexión de instalaciones de extracción y colección de polvo, asegúrese que estén conectadas y que se usen correctamente.** El uso de la recogida de polvo puede reducir los peligros asociados al polvo.
- h) **Cuide que por la familiaridad obtenida con el uso frecuente de herramientas no le haga volverse complaciente y termine ignorando los principios de seguridad de la herramienta.** Una acción descuidada puede llegar a causar lesiones severas en una fracción de segundo.
- 4) Uso y cuidado de la herramienta eléctrica**
- a) **No fuerce la herramienta eléctrica. Use la herramienta eléctrica para su aplicación.** La herramienta eléctrica correcta hará mejor y más seguro el trabajo a la velocidad para la que ha sido diseñada.
- b) **No use la herramienta eléctrica si el interruptor no lo enciende y apaga.** Cualquier herramienta eléctrica que no pueda ser controlada con el interruptor es peligrosa y debe repararse.
- c) **Desconecte el enchufe de la fuente de energía y/o retire el bloque de baterías, si es desmontable, de la herramienta eléctrica antes de hacer cualquier ajuste, cambiar accesorios o guardar la herramienta eléctrica.** Tales medidas de seguridad preventivas reducen el riesgo de que la herramienta eléctrica se encienda accidentalmente.
- d) **Guarde las herramientas eléctricas inactivas fuera del alcance de los niños y no permita el uso de la herramienta eléctrica por parte de personas que no estén familiarizadas con esta o con sus instrucciones.** Las herramientas eléctricas son peligrosas en manos de

usuarios sin capacitación.

- e) **Mantenga las herramientas eléctricas y los accesorios. Compruebe que no hayan piezas móviles desalineadas, atoradas o rotas ni ninguna otra condición que pueda afectar el funcionamiento de la herramienta eléctrica. Si se daña, repare la herramienta eléctrica antes de usarla.** Muchos accidentes son causados por herramientas eléctricas con mal mantenimiento.
- f) **Conserve limpias y afiladas las herramientas de corte.** Las herramientas de corte con un mantenimiento adecuado son menos propensas a trabarse y son más fáciles de controlar.
- g) **Use la herramienta eléctrica, los accesorios y las brocas de la herramienta, etc. en conformidad con estas instrucciones, tomando en cuenta las condiciones del trabajo y la tarea a realizar.** El uso de la herramienta eléctrica para operaciones distintas de las previstas, podría dar como resultado una situación peligrosa.
- h) **Mantenga las asas y las superficies de agarre secas, limpias y sin aceite o grasa.** Con asas

y superficies de agarre resbalosas, no es posible tener un manejo seguro y un control de la herramienta en situaciones inesperadas.

5) Uso y cuidado de la herramienta de batería

- a) **Recargar solo con el cargador especificado por el fabricante.** Un cargador adecuado para un tipo de paquete de batería podría crear un riesgo de incendio si se usa con otro paquete de batería distinto.
- b) **Use herramientas eléctricas solo con los paquetes de batería específicamente designados.** El uso de cualquier otro paquete de batería puede generar riesgo de lesiones e incendio.
- c) **Cuando el paquete de batería no esté en uso, manténgalo alejado de otros objetos metálicos como clips, monedas, llaves, clavos, tornillos u otros objetos pequeños de metal, que puedan hacer una conexión entre una terminal y otra.** Un cortocircuito en las terminales de la batería podría causar quemaduras o incendios.
- d) **En condiciones extremas, el líquido podría ser eyectado de**

la batería; en ese caso, evite el contacto. Si hay contacto accidental, enjuague con agua. Si el líquido entrara en los ojos, busque ayuda médica. El líquido eyectado de la batería puede causar irritación o quemaduras.

- e) **No use el paquete de batería o la herramienta si está dañada o modificada.** Las baterías dañadas o modificadas pueden tener un comportamiento impredecible que puede resultar en incendios, explosiones o riesgo de lesiones.
- f) **No exponga el paquete de batería o la herramienta al fuego o a temperaturas excesivas.** La exposición al fuego o a temperaturas superiores a 266 °F (130 °C) puede causar explosiones.
- g) **Siga todas las instrucciones de carga y no cargue el paquete de batería o la herramienta fuera del rango de temperatura especificado en las instrucciones.** La carga inadecuada o a temperaturas que excedan el rango especificado puede dañar la batería e incrementar el riesgo de incendio.

6) Servicio

- a) **Haga reparar su herramienta eléctrica con un reparador calificado, utilizando solamente piezas de repuesto idénticas.** Esto asegurará que se mantenga la seguridad de la herramienta eléctrica.
- b) **Nunca mande paquetes de batería dañados a mantenimiento.** El mantenimiento o reparación de los paquetes de baterías lo deben realizar únicamente el fabricante o los proveedores autorizados de servicio.

ADVERTENCIAS DE SEGURIDAD PARA SIERRAS DE MOVIMIENTO ALTERNATIVO

- a) **Sujete la herramienta eléctrica por las superficies de agarre aisladas, cuando realice una operación en la que el accesorio de corte pueda entrar en contacto con cables ocultos o con su propio cable.** Los accesorios de corte que entran en contacto con un cable "vivo" o cargado, pueden hacer que las partes metálicas expuestas de la herramienta eléctrica se carguen y darle al operador una descarga eléctrica.
- b) **Utilice abrazaderas u otra forma práctica de asegurar y**

- apoyar la pieza en una plataforma estable.** Sujetar la pieza con la mano o contra el cuerpo la hace inestable y puede provocar la pérdida de control.
- c) **Mantenga las manos alejadas de las partes móviles.** Nunca coloque las manos cerca de la zona de corte.
- d) **Extreme las precauciones al cortar por encima de la cabeza y preste especial atención a los cables aéreos que puedan estar ocultos a la vista.** Anticipe la trayectoria de la caída de ramas y escombros con antelación.
- e) **No utilice esta herramienta durante períodos prolongados.** Las vibraciones causadas por el funcionamiento de esta herramienta pueden causar lesiones permanentes en los dedos, las manos y los brazos. Utilice guantes para proporcionar una amortiguación adicional, tome períodos de descanso frecuentes y limite el tiempo de uso diario.
- f) **Evite el contacto prolongado con el polvo procedente del lijado, aserrado, amolado, taladrado y otras actividades de construcción. Use ropa de protección y lave las zonas expuestas con agua y jabón.** Permitir que el polvo entre en la boca, los ojos o que se deposite en la piel, puede favorecer la absorción de sustancias químicas nocivas.
- g) **Evite el inicio involuntario.** Prepárese para comenzar a trabajar antes de encender la herramienta.
- h) **No descance la herramienta hasta que se haya detenido por completo.** Las piezas móviles pueden tocar la superficie y sacar la herramienta fuera de su control.
- i) **Cuando use una herramienta eléctrica de mano, mantenga un agarre firme de la herramienta con ambas manos para resistir el torque de arranque.**
- j) **No deje la herramienta desatendida cuando el paquete de batería esté conectado.** Apague la herramienta y retire el paquete de batería antes de salir.
- k) **Este producto no es un juguete. Manténgalo fuera del alcance de los niños.**

ADVERTENCIAS DE SEGURIDAD

DEL PAQUETE DE BATERÍAS Y DEL CARGADOR DE BATERÍAS

- Recargue solo con el cargador especificado por el fabricante. Un cargador adecuado para un tipo de paquete de batería podría crear un riesgo de incendio si se usa con otro paquete de batería distinto.
- Use los aparatos solo con los paquetes de batería específicamente designados. El uso de cualquier otro paquete de batería puede generar riesgo de lesiones e incendio.

¡ADVERTENCIA!

Utilice solo el siguiente tipo y tamaño de batería: B25X2/B50X2.

- Cuando el paquete de batería no esté en uso, manténgalo alejado de otros objetos metálicos como clips, monedas, llaves, clavos, tornillos u otros objetos pequeños de metal, que puedan hacer una conexión entre un terminal y otro. Un cortocircuito en las terminales de la batería podría causar quemaduras o incendios.
- En condiciones extremas, el líquido podría ser eyectado de la batería; en ese caso, evite

el contacto. Si hay contacto accidental, enjuague con agua. Si el líquido entrara en los ojos, busque ayuda médica. El líquido eyectado de la batería puede causar irritación o quemaduras. (Este consejo se considera correcto para los tipos de pilas de iones de litio, plomo, ácido y NiMh, NiCd convencionales. Si este consejo es incorrecto para un diseño de celda que difiere de estos, entonces se puede sustituir por el consejo correcto).

- No use el paquete de batería o la herramienta si está dañada o modificada. Las baterías dañadas o modificadas pueden tener un comportamiento impredecible que puede resultar en incendios, explosiones o riesgo de lesiones.
- No exponga el paquete de batería o la herramienta al fuego o a temperaturas excesivas. La exposición al fuego o a temperaturas superiores a 266 °F (130 °C) puede causar explosiones.
- Siga todas las instrucciones de carga y no cargue el paquete de batería el aparato fuera del rango de temperatura especificado en las instrucciones. La carga inadecuada o a temperaturas que excedan el rango especificado

- puede dañar la batería e incrementar el riesgo de incendio.
- No modifique ni intente reparar el aparato o el paquete de baterías (según corresponda) excepto como se indica en las instrucciones de uso y cuidado.

VIBRACIÓN + REDUCCIÓN DE RUIDO

Para reducir el impacto de las emisiones de ruido y vibración, limite el tiempo de funcionamiento, utilice modos de funcionamiento de poca vibración y poco ruido y use equipos de protección personal. Tenga en cuenta los siguientes aspectos para minimizar los riesgos de exposición a la vibración y al ruido.

- Utilice el producto únicamente según lo previsto en su diseño y según estas instrucciones.
- Asegúrese de que el producto esté en buenas condiciones y reciba el mantenimiento correcto.
- Utilice los accesorios correctos para el producto y asegúrese de que estén en buenas condiciones.
- Mantenga un agarre firme de las asas y de la superficie de agarre.
- Realice el mantenimiento de este producto de acuerdo con estas instrucciones y manténgalo bien

lubricado (cuando corresponda).

- Planifique su horario de trabajo para distribuir cualquier uso de la herramienta a alta vibración a lo largo de un período de tiempo más largo.

EMERGENCIA

Familiarícese con el uso de este producto mediante este manual de instrucciones. Memorice las instrucciones de seguridad y sígalas al pie de la letra. Esto ayudará a prevenir riesgos y peligros.

- Siempre esté alerta cuando utilice este producto para que pueda reconocer y manejar los riesgos a tiempo. Una intervención rápida puede prevenir lesiones graves y daños a la propiedad.
- Apague el producto y retire el paquete de batería si hay cualquier mal funcionamiento. Asegúrese de que el producto sea revisado por un profesional calificado y que sea reparado, si es necesario, antes de volver a operarlo.

CONOZCA SU UNIDAD

APLICACIONES

Modelo: PSRX2-M2

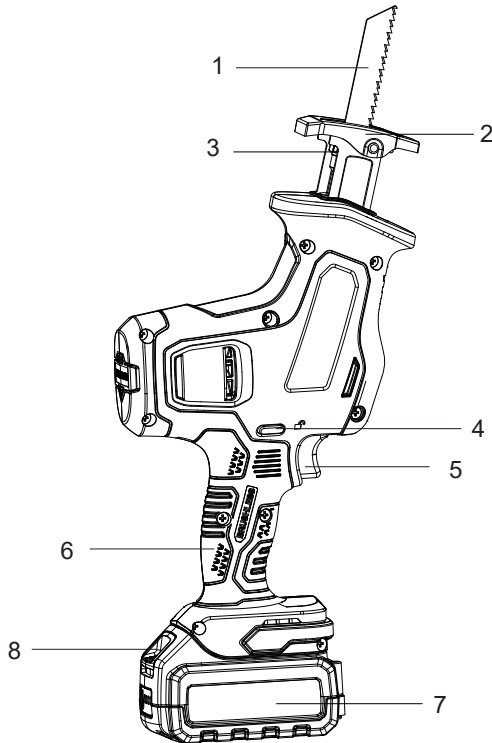
Como una sierra de movimiento alternativo inalámbrica:

Corte de madera, metal y materiales plásticos.






NOTA:

El PSRX2-M2-0 no incluye cargador ni paquete de batería.



- | | |
|------------------------|----------------------------|
| 1. Hoja | 5. Gatillo del interruptor |
| 2. Zapata pivotante | 6. Mango |
| 3. Pinza | 7. Paquete de baterías |
| 4. Bloqueo del gatillo | 8. Botón de desbloqueo |

ESPECIFICACIONES*

Modelo	PSRX2-M2	
Tensión nominal	18V c.c.	
Velocidad sin carga	3000 cpm	
Longitud de la carrera	7/8"	
Capacidad de corte		
Madera	1.58**7.87"	
(Tubo de acero suave	2.36**0.12"	
Peso (sin batería)	3.77 lbs	
Modelo de batería	B25X2	B50X2
Tensión nominal	18 V 	18 V 
Capacidad nominal	2.5 Ah	5.0 Ah
Peso	0.74 lbs	1.43 lbs
Modelo del cargador	CHX2	
Entrada nominal	100-240 V ~ 50/60 Hz	
Salida nominal	21 V, 2000 mA	
Tiempo de carga (con batería de 2.5 Ah)	85 min	
Tiempo de carga (con batería de 5.0 Ah)	130 min	
Clase de protección (para el cargador)	 / II	
Peso	0.75 lbs	

Modelo	PSRX2-M2-0	
Tensión nominal	18V c.c.	
Velocidad sin carga	3000 cpm	
Longitud de la carrera	7/8"	
Capacidad de corte		
Madera	1.58**7.87"	
Tubo de acero suave	2.36**0.12"	
Peso (sin batería)	3.77 lbs	
Modelo de batería	No incluido	
Modelo del cargador	No incluido	

ENSAMBLAJE

1. Desempaque todas las piezas y colóquelas en una superficie llana y estable:
2. Retire todos los materiales de embalaje y dispositivos de envío, si corresponde.
3. El alcance de la entrega varía en función del país y de la variante adquirida:
Modelo de PSRX2-M2

- Sierra de movimiento alternativo x1
- Hoja x1
- Paquete de batería x1
- Cargador x1
- Manual de instrucciones x1

4. Si ve que faltan partes o se ve dañado, no use el producto y póngase en contacto con el distribuidor. El uso de un producto incompleto o dañado representa un peligro para las personas y la propiedad.
5. Asegúrese de que tiene todos los accesorios y herramientas necesarios para el ensamblaje y la operación. Esto también incluye el uso de equipos de protección personal adecuados.



NOTA:

El PSRX2-M2 incluye cargador y paquete de batería.

El PSRX2-M2-0 no incluye cargador ni paquete de batería.



ADVERTENCIA:



Póngase guantes de protección para este trabajo y coloque siempre el producto sobre una superficie plana y estable cuando lo esté montando.



Siga las instrucciones de ensamblaje paso a paso y use las imágenes que se indican como guía visual para ensamblar fácilmente el producto.

¡No inserte la batería antes de que la herramienta eléctrica esté completamente ensamblada o ajustada!

HOJA

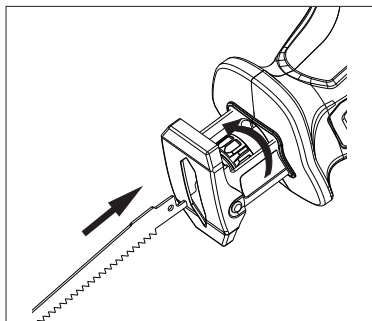


ADVERTENCIA:

Nunca coloque nunca una hoja doblada ni utilice la sierra con una hoja suelta.

Para instalar:

Gire la pinza para abrirla e introduzca la hoja hasta el fondo. Una vez liberada, la hoja quedará firmemente sujeta. Tire de la hoja para asegurarse de que esté bien sujeta.



Para eliminar:

Abra la pinza con un giro y saque la hoja.



ADVERTENCIA:

La hoja puede estar caliente después de su uso. Asegúrese de que se haya enfriado completamente antes de tocarla.

PAQUETE DE BATERÍA

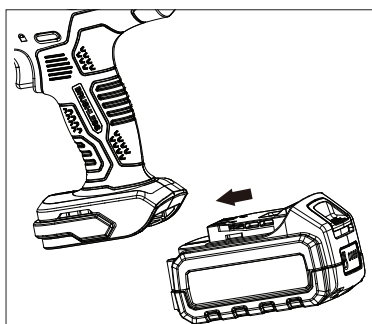


NOTA:

Antes de la instalación, bloquee el interruptor mediante el bloqueo del gatillo para evitar un inicio involuntario.

Para instalar:

Alinee y deslice la batería en el puerto de acoplamiento de la batería hasta que esté bloqueada en su posición.



Para retirar:

Presione el botón de desbloqueo y deslice el paquete de baterías hacia afuera.

OPERACIÓN



ADVERTENCIA:

Use siempre protección para los ojos, oídos y manos, y reduzca así el riesgo de lesiones a la hora de operar la herramienta. Mantenga todas las partes de su cuerpo alejadas de la broca giratoria.

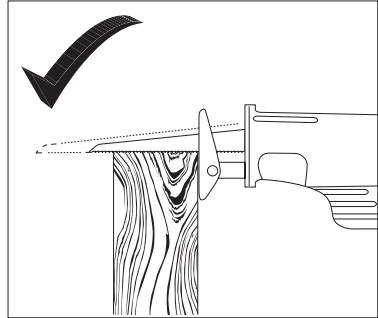
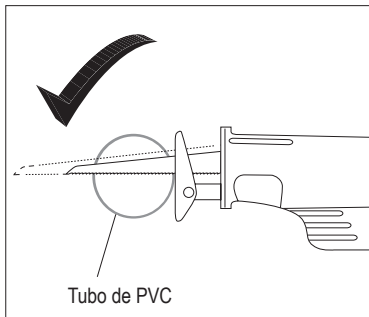


ADVERTENCIA:

Antes de cortar cualquier tipo de material, asegúrese de que esté firmemente sujeto para evitar que se deslice.

CONFIGURACIÓN DE LA PIEZA DE TRABAJO Y EL ÁREA DE TRABAJO

1. Diseñe un área de trabajo que esté limpia y bien iluminada. El área de trabajo no debe permitir el acceso de niños o mascotas para evitar distracciones y lesiones.
2. Asegure las piezas de trabajo sueltas con un tornillo o abrazaderas para evitar el movimiento mientras trabaja.
3. No debe haber objetos, como líneas de servicios públicos, cerca, que presenten un peligro mientras se trabaja. Esto es especialmente crítico para los cortes de inmersión.
4. Con un guante, empuje el soporte de la hoja hacia atrás. La pieza debe ser más fina que la extensión mínima de la hoja.

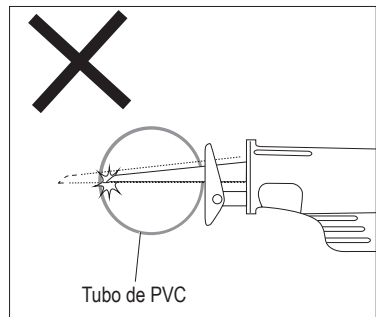


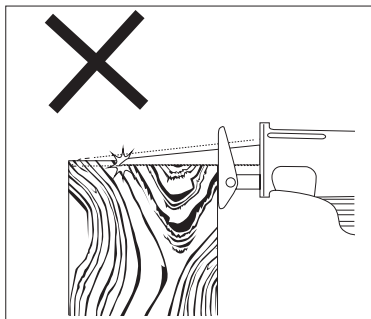
5. Puede producirse la rotura de la hoja si ésta no se extiende más allá de la zapata y la pieza durante el corte. El tamaño adecuado de la pieza es importante para el funcionamiento.



ADVERTENCIA:

Para evitar lesiones, no utilice la máquina en piezas más gruesas que la extensión mínima de la hoja en su espesor máximo. La punta de la hoja puede golpear la pieza de trabajo y puede romperse.





APAGAR Y ENCENDER

Desbloquee el gatillo del interruptor mediante el bloqueo del gatillo y luego apriete el gatillo del interruptor para arrancar la sierra.

La sierra se detiene cuando se suelta el gatillo del interruptor. Cuando la herramienta no esté en uso, gire el bloqueo del gatillo a la posición "Lock" (bloqueo) en caso de arranque no intencional.

INSTRUCCIONES GENERALES DE USO

1. Agarre la sierra firmemente con ambas manos, apoye la parte delantera de la zapata pivotante en la pieza de trabajo con la hoja por encima del trabajo.
2. Apoye la zapata pivotante en la pieza (asegúrese que la hoja no toque la pieza de trabajo).
3. Deje que la sierra alcance la velocidad deseada antes de guiarla hacia la pieza de trabajo.



NOTA:

Utilice una velocidad más rápida cuando corte materiales más blandos. Utilice una velocidad más lenta cuando corte materiales más duros.

4. No fuerce el corte. Siga el corte y mantenga un movimiento suave.
5. Mantenga la zapata pivotante firmemente contra la pieza de trabajo en todo momento. Nunca doble la hoja.
6. La sierra se apaga cuando la hoja se atasca. Retire la hoja del corte y vuelva a empezar.
7. Reemplace la hoja cuando se desafilé.
8. Para evitar accidentes, apague la herramienta y bloquee el gatillo, retire su paquete de batería después del uso. Limpie y guarde el aparato en interiores fuera del alcance de los niños.



ADVERTENCIA:

Evite la acumulación de polvo en el lugar de trabajo. El polvo puede inflamarse fácilmente.

CORTE POR PENETRACIÓN



NOTA:

Corte por penetración en madera contrachapada, tablaroca y paneles de tablero fino. No intente cortar por penetración en paneles gruesos y duros de madera o metal.

1. Marque la línea de corte en la pieza de trabajo.
2. Coloque la zapata pivotante en la pieza de trabajo con la hoja paralela a la línea de corte, y sin tocar la pieza de trabajo.



ADVERTENCIA:

Para evitar lesiones graves debidas al contragolpe, no inicie un corte de penetración con la hoja de sierra tocando la pieza de trabajo.

3. Ponga en marcha la sierra y deje que alcance la velocidad máxima.
4. Guíe la hoja hacia la pieza de trabajo. Incline lentamente la sierra hasta que la hoja esté perpendicular a la pieza.
5. Mantenga el corte suave a lo largo de la línea para completar el corte.

CORTE DE METALES

1. Instale una hoja especialmente diseñada para el corte de metales.
2. Cubra la superficie de corte con aceite de corte para evitar que la hoja se sobrecaliente.
3. Siga las INSTRUCCIONES GENERALES DE USO.

CÓMO CARGAR EL PAQUETE DE BATERÍA



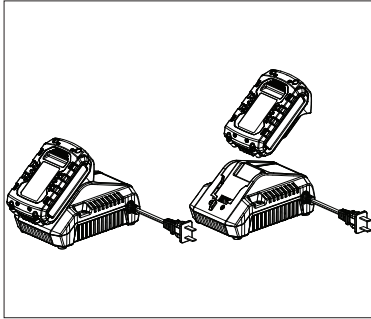
ADVERTENCIA:

Este paquete de batería de iones de litio se envía parcialmente cargado. Cargue por completo el paquete de batería antes de usarlo por primera vez.



NOTA:

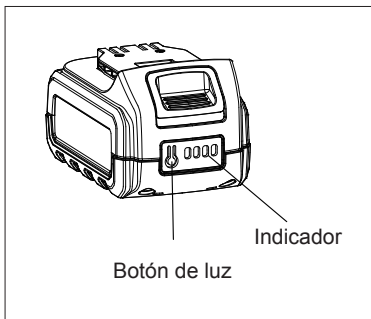
Carga de baterías a una temperatura ambiente de 32 °F (0 °C) -104 °F (40 °C).



1. Cargue el paquete de batería de iones de litio solo con el cargador indicado.
2. Conecte el cargador a una fuente de alimentación; el indicador luminoso del cargador se pondrá en rojo.
3. Alinee las ranuras levantadas del paquete de batería con la ranura en el cargador.
4. Inserte el paquete de batería en el cargador, la luz indicadora del cargador se enciende en verde y parpadea.
5. El cargador comunica con el paquete de batería para evaluar su condición.
6. Está completamente cargado cuando se encienden las cuatro luces de la batería. Desconecte el cargador del suministro de energía. Retire el paquete de batería del cargador.

INDICADOR DE CARGA

Presione el botón de luz en el paquete de batería para comprobar si necesita cargarse.



Luces			Estatus
Iluminado	Apagado	Parpadeo	
			La batería está al máximo de capacidad.
			La batería está al 75% de capacidad.
			La batería está al 50% de capacidad y necesita cargarse.
			La batería está al 25% de capacidad y necesita cargarse pronto.
			La batería tiene menos del 5% de capacidad y requiere carga inmediata.



ADVERTENCIA:

Pueden ocurrir averías cuando las cuatro luces parpadean por turnos.

PROTECCIÓN CONTRA EL SOBRECALENTAMIENTO

Cuando la herramienta/batería se sobrecalienta, la herramienta se detiene automáticamente. En esta situación, deje que la herramienta eléctrica/batería se enfríe antes de volver a encenderla.

PROTECCIÓN CONTRA SOBRECARGA

Cuando la capacidad de la batería no es suficiente, la herramienta se detiene automáticamente. En este caso, retire la batería de la herramienta y cárguela.



ADVERTENCIA:

Realice los trabajos de limpieza y mantenimiento conforme a estas instrucciones únicamente. Cualquier otro trabajo debe ser realizado por un especialista cualificado.



ADVERTENCIA:

PARA PREVENIR LESIONES GRAVES A CAUSA DE

UNA OPERACIÓN ACCIDENTAL:

Asegúrese que el gatillo esté bloqueado y que el paquete de batería se retire antes de realizar cualquier procedimiento en esta sección.

PARA PREVENIR LESIONES GRAVES A CAUSA DE

FALLAS DE LA HERRAMIENTA:

No utilice equipos dañados.

Si se producen ruidos o vibraciones anormales, corrija el problema antes de seguir utilizándola.

No hay piezas reparables por el usuario en su herramienta eléctrica.

Si se encuentra alguna de las siguientes condiciones, deje de usarla y envíela al centro de servicio autorizado para su reparación.

- batería con fugas, hinchada o agrietada
- accesorios sueltos
- desalineación o fijación de accesorios
- piezas agrietadas o rotas
- cualquier otra condición que pueda afectar su funcionamiento seguro.

LIMPIEZA

1. Limpie el polvo y los escombros de los ductos de ventilación.
2. Mantenga el mango limpio, seco y libre de aceite o grasa.
3. Asegúrese que la pinza esté libre de virutas y aserrín.
4. Retire la suciedad persistente de la carcasa con aire a alta presión (máx. 3 bar).



NOTA:

No use detergentes o desinfectantes químicos alcalinos o abrasivos, ni ningún otro tipo de detergente agresivo, para limpiar este producto, ya que estos pueden dañar sus superficies.

TRANSPORTE

1. Solo cargar del asa.
2. Retire o cubra la hoja durante el transporte.
3. Proteja el producto contra cualquier impacto o vibración intensa que pueda ocurrir durante el transporte en un vehículo.
4. Fije la unidad para evitar que resbale o se caiga.

ALMACENAMIENTO

1. Limpie a fondo como se describió anteriormente.
2. Almacene en un área oscura, seca, libre de heladas y bien ventilada que sea inaccesible para los niños. La temperatura ideal de almacenamiento está entre 50 °F (10 °C) y 86 °F (30 °C).
3. Use el paquete original para el almacenamiento o cúbralo con un paño adecuado para protegerlo contra el polvo.



NOTA:

Para prolongar la duración de la batería, guarde el paquete de batería por separado de la herramienta en una condición de carga del 30% al 50%. Se recomienda tener la batería cargada al menos cada 6 meses.

ELIMINACIÓN

El producto residual no se debe eliminar con los residuos domésticos del hogar. Recíclelos en las instalaciones disponibles. Consulte a sus autoridades locales o al minorista para asesorarse sobre el reciclaje.

Las virutas o aserrín pueden ser producidos por la herramienta durante la operación, los usuarios deben limpiar estos objetos para proteger el medio ambiente.



Los productos eléctricos no deben desecharse con los productos domésticos. Los productos eléctricos usados deben recogerse por separado y eliminarse en los puntos de recogida previstos a tal efecto. Consulte con sus autoridades locales o con el distribuidor para asesorarse sobre el reciclaje.

SOLUCIÓN DE PROBLEMAS

Las sospechas de mal funcionamiento a menudo se deben a causas que el usuario puede corregir por sí mismo. Por tanto, use esta sección para verificar el producto. En la mayoría de los casos el problema se puede resolver rápidamente.

PROBLEMA	POSIBLE CAUSA	SOLUCIÓN
El producto no arranca.	El gatillo del interruptor está bloqueado	Desbloquee el gatillo del interruptor mediante el bloqueo del gatillo.
	El paquete de batería no está correctamente acoplado	Fijela correctamente.
	El paquete de batería está completamente descargado	Cargue el paquete de batería.
La herramienta funciona lentamente.	Forzar la herramienta para que trabaje demasiado rápido.	Deje que la herramienta trabaje a su propio ritmo.
	La potencia de la batería es demasiado baja.	Cargue el paquete de batería.
El rendimiento disminuye a lo largo del tiempo.	La hoja está desafilada o dañada.	Mantenga las hojas afiladas. Reemplácela con una nueva si es necesario.
	El paquete de batería alcanza su ciclo de vida.	Cámbielo por uno nuevo
Ruido excesivo.	Daño o desgaste interno (bujes o rodamientos, por ejemplo).	Que un técnico le haga mantenimiento a la herramienta.
Sobrecalentamiento	Forzar la herramienta para que trabaje demasiado rápido.	Deje que la herramienta trabaje a su propio ritmo.
	Hoja desafilada o dañada.	Mantenga las hojas afiladas. Sustitúyalas según sea necesario.
	Ductos de la carcasa del motor obstruidos.	Sople el polvo del motor con aire comprimido.

GARANTÍA

GARANTÍA LIMITADA

Garantía limitada por 5 años en toda la serie Senix X2 de equipos para exteriores que funcionan con batería y cargador.

Garantía limitada de 3 años para todas las baterías Senix X2.*

Este producto Senix se garantiza DURANTE CINCO AÑOS, a partir de la fecha original de compra en un comercio minorista, contra defectos de materiales o mano de obra en herramientas eléctricas y cargadores. El producto defectuoso se reparará gratuitamente.*

Este producto Senix se garantiza DURANTE TRES AÑOS, a partir de la fecha original de compra en un comercio minorista, contra defectos de materiales o mano de obra en baterías. El producto defectuoso se reparará gratuitamente.*

La presente garantía no cubre el desgaste normal de las partes y los componentes, como la cadena de corte, la línea o las hojas ni tampoco cubre esta garantía el costo de transporte del producto para garantía o servicio.

La garantía está sujeta a las siguientes condiciones:

- La garantía se aplica al comprador original en comercio minorista y no es transferible*
- Registro de garantía en www.senixtools.com
- La herramienta no se ha sometido a uso incorrecto, abuso, negligencia, alteración o modificación y no ha sido reparada fuera de un centro de servicio autorizado
- Solo se han utilizado accesorios originales de Senix con o en este producto
- La herramienta presenta un desgaste normal
- La herramienta no se ha utilizado con fines comerciales o profesionales
- La herramienta no se ha utilizado con fines de alquiler
- Esta garantía solo cubre defectos que ocurran bajo el uso normal y no cubre casos de mal funcionamiento, fallo o defecto que emanen de un uso incorrecto, abuso (incluyendo sobrecarga del producto, exposición al agua o la lluvia), accidentes, negligencia e instalación, mantenimiento o almacenamiento inadecuados.

Para localizar a su proveedor de servicios de Senix más cercano, llame gratis al 800-261-3981 o envíenos un correo electrónico a service@senixtools.com.

Limitaciones adicionales*

Cualquier garantía implícita otorgada en virtud de las leyes estatales, incluidas las garantías de comerciabilidad o idoneidad para un propósito particular, se limita a tres años a partir de la fecha de compra para herramientas eléctricas y cargadores y siete años para baterías. El fabricante no asume ninguna responsabilidad por daños directos, indirectos, incidentales o consecuentes. Algunos estados y provincias no permiten limitaciones en cuanto a la duración de una garantía implícita o no permiten la exclusión o limitación de daños incidentales, por lo que es posible que las limitaciones y exclusiones anteriores no se apliquen a usted. Esta garantía le otorga derechos legales específicos, y usted también puede tener otros derechos que varían de un estado a otro o de una provincia a otra.

YAT USA no asume ninguna responsabilidad con respecto a la responsabilidad civil que emane de un uso abusivo o no conforme al uso y mantenimiento adecuados de la máquina, descritos en el manual del operador.

YAT USA no asume ninguna responsabilidad por daños directos, indirectos, incidentales o consecuentes.

Después de la compra, el fabricante recomienda el mantenimiento adecuado de la máquina y leer el manual del operador antes de utilizar la máquina.

*Se puede exigir un recibo de compra original como justificante de compra

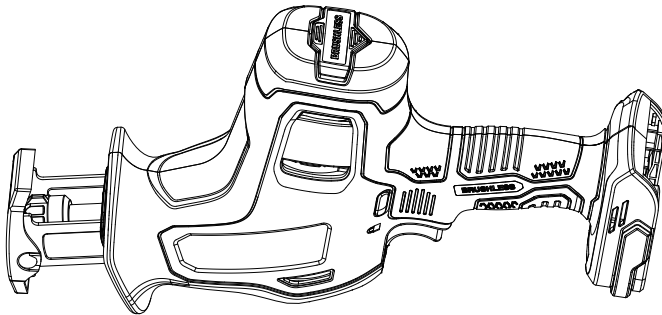
Para acceder al servicio de atención al cliente, póngase en contacto con nosotros llamando al número gratuito 1-800-261-3981 o visitando Senixtools.com.

10506 Bryton Corporate Center Dr, #500 Huntersville, NC 28078



20 V MAX AU LITHIUM-ION SCIE ALTERNATIVE SANS FIL (7/8")

Manuel d'utilisation
Modèle : PSRX2-M2
PSRX2-M2-0



Pour obtenir une assistance à la clientèle, veuillez appeler le 1-800-261-3981 ou envoyer un e-mail à :
Service@senixtools.com
CONSERVEZ CE MANUEL POUR TOUTE CONSULTATION ULTÉRIEURE.

INSTRUCTIONS ORIGINALES

TABLE DES MATIÈRES

SYMBOLES DE SÉCURITÉ ET INTERNATIONAUX	39
INSTRUCTIONS DE SÉCURITÉ.....	40
DESCRIPTION DE VOTRE APPAREIL.....	48
SPÉCIFICATIONS*	49
ASSEMBLAGE.....	50
FONCTIONNEMENT.....	51
ENTRETIEN.....	54
GUIDE DE DÉPANNAGE.....	55
GARANTIE.....	56

SÉCURITÉ ET SYMBOLES INTERNATIONAUX

L'explication des symboles de sécurité et internationaux décrit les symboles et pictogrammes de sécurité et internationaux susceptibles d'apparaître sur ce produit. Lisez le manuel de l'utilisateur pour obtenir des informations complètes sur la sécurité, l'assemblage, le fonctionnement, l'entretien et les réparations.



Attention / Avertissement.



Utilisez et rangez la batterie à une température inférieure à 50 °C (122°F).



Pour réduire le risque de blessures, l'utilisateur doit lire le manuel d'instructions.



Ne démontez pas la batterie, ne l'écrasez pas, ne la chauffez pas à une température supérieure à 212°F (100°C) ; n'exposez jamais la batterie aux micro-ondes ou à des pressions élevées.



Portez des lunettes de protection.



Portez un masque anti-poussière.



Gardez les passants à une distance sécuritaire de la zone de travail.



Portez des chaussures de sécurité.



Utilisation en intérieur uniquement. Utilisez uniquement le chargeur de batterie à l'intérieur.



Portez des gants de protection.



Ne jetez pas les batteries dans les rivières et ne les immergez pas dans l'eau.



Ne jetez pas les blocs-batteries au feu. Ils exploseront et causeront des blessures.

INSTRUCTIONS DE SÉCURITÉ

AVERTISSEMENTS GÉNÉRAUX SUR LA SÉCURITÉ DES OUTILS ÉLECTRIQUES



AVERTISSEMENT !

Lisez tous les avertissements de sécurité, instructions, illustrations et spécifications fournis avec cet outil électrique. Le non-respect de toutes les instructions énumérées ci-dessous peut entraîner un choc électrique, un incendie et/ou des blessures graves.

Conservez tous les avertissements et les instructions pour pouvoir vous y référer ultérieurement.

Le terme « outil électrique » dans les avertissements fait référence à votre outil électrique (avec fil) fonctionnant sur secteur ou à votre outil électrique (sans fil) fonctionnant sur batterie.

1) Sécurité de la zone de travail

- a) **Gardez la zone de travail propre et bien éclairée.** Les zones encombrées ou sombres sont propices aux accidents.
- b) **N'utilisez pas d'outils électriques dans des atmosphères explosives, par exemple en présence de liquides, de gaz**

ou de poussières inflammables. Les outils électriques produisent des étincelles qui peuvent enflammer la poussière ou les fumées.

- c) **Veillez à ce que les enfants et les autres personnes restent à distance lors de l'utilisation d'un outil électrique.** Un moment d'inattention peut vous faire perdre le contrôle de l'outil.

2) Sécurité électrique

- a) **La fiche de l'outil électrique doit être adaptée à la prise de courant. Ne modifiez jamais la fiche de quelque façon que ce soit. N'utilisez pas d'adaptateurs avec des outils électriques nécessitant une mise à terre.** Les prises non modifiées et les prises électriques appropriées réduisent le risque de choc électrique.
- b) **Évitez tout contact physique avec des surfaces mises à la terre ou mises à la masse, telle que les tuyaux, les radiateurs, les fours et les réfrigérateurs.** Il y a un risque accru de choc électrique si votre corps est relié à la terre ou à la masse.
- c) **N'exposez pas les outils**

électriques à la pluie ou à des conditions humides. L'eau qui pénètre dans un outil électrique augmente le risque de choc électrique.

- d) **Prenez soin du câble d'alimentation. N'utilisez jamais le câble d'alimentation pour porter, tirer ou débrancher l'outil électrique. Maintenez le cordon à l'écart de la chaleur, de l'huile, des bords tranchants ou des pièces mobiles.** Le risque d'électrocution augmente si le câble d'alimentation est endommagé ou emmêlé.
- e) **Lorsque vous utilisez un outil électrique à l'extérieur, utilisez une rallonge adaptée à une utilisation extérieure.** L'utilisation d'une rallonge conçue pour un usage en extérieur réduit le risque de choc électrique.
- f) **Si l'utilisation d'un outil électrique dans un endroit humide est inévitable, utilisez une alimentation protégée par un dispositif à courant résiduel (RCD).** L'utilisation d'un RCD réduit le risque de choc électrique.

3) Sécurité personnelle

- a) **Restez vigilant, soyez attentif à ce que vous faites et**

faites preuve de bon sens lors de l'utilisation d'un outil électrique. N'utilisez pas un outil électrique si vous êtes fatigué ou sous l'influence de drogues, d'alcool ou de médicaments . Un simple moment d'inattention lors de l'utilisation d'un outil électrique peut entraîner des blessures graves.

- b) **Utilisez des équipements de protection individuelle. Portez toujours des lunettes de protection.** Des équipements de protection tels qu'un masque anti-poussière, des chaussures de sécurité antidérapantes, un casque ou des protections auditives utilisés dans des conditions appropriées réduiront les blessures.
- c) **Évitez tout démarrage accidentel. Assurez-vous que l'interrupteur est en position d'arrêt avant de brancher la source d'alimentation et/ou le bloc-piles, de ramasser ou de transporter l'outil.** Le fait de porter des outils électriques avec le doigt sur l'interrupteur ou de mettre sous tension des outils électriques dont l'interrupteur est activé provoque des accidents.
- d) **Retirez toute clé de réglage**

ou clé de serrage avant de mettre l'outil électrique sous tension. Une clef de réglage ou de serrage laissée sur une pièce rotative de l'outil électrique peut provoquer des blessures corporelles.

- e) **Ne tenez pas d'atteindre des endroits éloignés de votre corps. Restez toujours d'aplomb et gardez bien l'équilibre.** Ceci permet de mieux contrôler l'outil électrique dans des situations inattendues.
- f) **Portez des vêtements appropriés. Ne portez pas de vêtements amples ni de bijoux. Gardez vos cheveux et vos vêtements à l'écart des pièces mobiles.** Les vêtements amples, les bijoux et les cheveux longs peuvent se coincer dans les pièces en rotation.
- g) **Si des dispositifs sont prévus pour le raccordement d'installations d'extraction et de collecte des poussières, assurez-vous qu'ils sont raccordés et utilisés correctement.** L'utilisation d'un système de collecte des poussières peut réduire les risques liés à la poussière.
- h) **Ne laissez pas la familiarité acquise grâce à l'utilisation**

fréquente des outils vous permettre de devenir négligent(e) et d'ignorer les principes de sécurité des outils. Un geste imprudent peut provoquer une blessure grave en une fraction de seconde.

4) Utilisation et entretien des outils électriques

- a) **Ne forcez pas sur l'outil électrique. Utilisez l'outil électrique approprié au travail que vous voulez effectuer.** Un outil électrique adapté permet d'effectuer le travail plus efficacement, avec une sécurité accrue, et au rythme pour lequel l'outil a été conçu.
- b) **N'utilisez pas l'outil électrique si l'interrupteur ne permet pas de le mettre en marche et de l'arrêter.** Tout outil électrique qui ne peut pas être contrôlé par son interrupteur marche/arrêt est dangereux et doit être réparé.
- c) **Débranchez la fiche de la source d'alimentation et/ou retirez la batterie, si elle est détachable, de l'outil électrique avant d'effectuer tout réglage, de changer d'accessoire ou de ranger l'outil.** Cette mesure de sécurité préventive réduit le

risque de démarrage accidentel de l'outil électrique.

- d) **Rangez les outils électriques hors de portée des enfants et ne laissez pas des personnes ne connaissant pas l'outil électrique ou ces instructions utiliser l'outil électrique.** Les outils électriques sont dangereux dans les mains de personnes inexpérimentées.
- e) **Entretenez les outils électriques et les accessoires. Vérifiez l'alignement et le mouvement des pièces mobiles, si des pièces sont cassées, et toute autre condition qui pourrait affecter l'utilisation de l'outil électrique. En cas de dommage, faites réparer l'outil électrique avant de l'utiliser.** De nombreux accidents sont dus à des outils électriques mal entretenus.
- f) **Maintenez les accessoires de coupe affûtés et propres.** Des accessoires de coupe bien entretenus et bien affûtés risquent moins de se coincer et sont plus faciles à contrôler.
- g) **Utilisez l'outil électrique, les accessoires et les embouts, etc. conformément à ces instructions, en tenant compte**

des conditions de travail et du travail à effectuer. L'utilisation de l'outil électrique pour des opérations différentes de celles prévues peut entraîner une situation dangereuse.

- h) **Maintenez les poignées et les surfaces de préhension sèches, propres et exemptes d'huile et de graisse.** Des poignées et des surfaces de préhension glissantes ne permettent pas une manipulation et un contrôle sûrs de l'outil dans des situations inattendues.

5) Utilisation et entretien de l'outil à batterie

- a) **Rechargez uniquement avec le chargeur spécifié par le fabricant.** Un chargeur adapté à un type de batterie peut créer un risque d'incendie lorsqu'il est utilisé avec une autre batterie.
- b) **N'utilisez les outils électriques qu'avec les blocs de batteries spécifiquement désignés.** L'utilisation de toute autre batterie peut créer un risque de blessures et d'incendie.
- c) **Lorsque la batterie n'est pas utilisée, elle doit être rangée loin de tout objet métallique, tel que trombone, pièce de**

monnaie, clef, clou, vis et tout autre petit objet métallique qui risquerait de mettre en contact ses bornes. La mise en court-circuit des bornes de la batterie peut provoquer des brûlures ou un incendie.

- d) **Dans des conditions abusives, un liquide peut être éjecté de la batterie ; évitez tout contact. En cas de contact accidentel, rincez à grande eau. Si le liquide entre en contact avec les yeux, consultez un médecin.** Le liquide éjecté de la batterie peut provoquer des irritations ou des brûlures.
- e) **N'utilisez pas une batterie ou un outil endommagé ou modifié.** Les batteries endommagées ou modifiées peuvent présenter un comportement imprévisible entraînant un incendie, une explosion ou un risque de blessure.
- f) **N'exposez pas un bloc-piles ou un outil au feu ou à une température excessive.** L'exposition au feu ou à une température supérieure à 266°F(130°C) peut provoquer une explosion.
- g) **Suivez toutes les instructions de charge et ne chargez pas le bloc-piles ou l'outil en dehors de la plage de température**

spécifiée dans les instructions. Une charge incorrecte ou à des températures hors de la plage spécifiée peut endommager la batterie et augmenter le risque d'incendie.

6) Réparations

- a) **Faites réparer votre outil électrique par un réparateur qualifié n'utilisant que des pièces de rechange identiques.** Cela garantira le maintien de la sécurité de l'outil électrique.
- b) **Ne réparez jamais une batterie endommagée.** L'entretien des batteries ne doit être effectué que par le fabricant ou des prestataires de services agréés.

AVERTISSEMENTS DE SÉCURITÉ POUR LES SCIES ALTERNATIVES

- a) **Tenez l'outil électrique par les surfaces de préhension isolées lorsque vous effectuez une opération où l'accessoire de coupe peut entrer en contact avec un câblage caché ou son propre cordon.** En cas de contact de l'accessoire de coupe avec un câble électrique « sous tension », les parties métalliques non carénées de l'outil électrique peuvent

se retrouver « sous tension » et l'opérateur risque de subir un choc électrique.

- b) **Utilisez des pinces ou un autre moyen pratique pour fixer et soutenir la pièce sur une plate-forme stable.** Tenir la pièce à la main ou contre votre corps la rend instable et peut entraîner une perte de contrôle.
- c) **Gardez vos mains éloignées des pièces mobiles.** Ne placez jamais vos mains près de la zone de coupe.
- d) **Prenez des précautions supplémentaires lorsque vous coupez au-dessus de votre tête et faites particulièrement attention aux câbles aériens qui peuvent être cachés.** Anticipez à l'avance la trajectoire des chutes de branches et de débris.
- e) **N'utilisez pas cet outil pendant de longues périodes.** Les vibrations causées par le fonctionnement de cet outil peuvent causer des blessures permanentes aux doigts, aux mains et aux bras. Utilisez des gants pour fournir un coussin supplémentaire, prenez des périodes de repos fréquentes et limitez le temps d'utilisation quotidien.
- f) **Évitez tout contact prolongé avec la poussière provenant du ponçage mécanique, du sciage, du meulage, du perçage et d'autres activités de construction. Portez des vêtements de protection et lavez les zones exposées avec de l'eau et du savon.** Laisser la poussière pénétrer dans votre bouche, vos yeux ou se déposer sur la peau peut favoriser l'absorption de produits chimiques nocifs.
- g) **Évitez tout démarrage accidentel.** Préparez-vous à commencer le travail avant de mettre l'outil en marche.
- h) **Ne posez pas l'outil avant qu'il ne soit complètement arrêté.** Les pièces en mouvement peuvent s'accrocher à la surface et vous faire perdre le contrôle de l'outil.
- i) **Lorsque vous utilisez un outil électrique portatif, maintenez une prise ferme sur l'outil avec les deux mains pour résister au couple de démarrage.**
- j) **Ne laissez pas l'outil sans surveillance lorsque la batterie est connectée.** Éteignez l'outil et retirez la batterie avant de

partir.

- k) **Ce produit n'est pas un jouet. Gardez-le hors de la portée des enfants.**

AVERTISSEMENT DE SÉCURITÉ CONCERNANT LA BATTERIE ET LE CHARGEUR DE BATTERIE

- Rechargez uniquement avec le chargeur spécifié par le fabricant. Un chargeur adapté à un type de batterie peut créer un risque d'incendie lorsqu'il est utilisé avec une autre batterie.
- N'utilisez les outils électriques qu'avec les batteries spécifiquement désignées. L'utilisation de toute autre batterie peut créer un risque de blessures et d'incendie.



AVERTISSEMENT !

Utilisez uniquement le type et la taille de batterie suivants : B25X2/ B50X2.

- Lorsque la batterie n'est pas utilisée, rangez-la à l'écart d'autres objets métalliques, comme des trombones, des pièces de monnaie, des clés, des clous, des vis ou d'autres petits objets métalliques qui peuvent établir une connexion d'une borne à l'autre. La mise en court-circuit

des bornes de la batterie peut provoquer des brûlures ou un incendie.

- Dans des conditions abusives, un liquide peut être éjecté de la batterie ; évitez tout contact. En cas de contact accidentel, rincez à grande eau. En cas de contact avec les yeux, vous devez en outre consulter un médecin. Le liquide éjecté de la batterie peut provoquer des irritations ou des brûlures. (Ces conseils sont considérés comme corrects pour les types de cellules classiques NiMh, NiCd, plomb-acide et lithium-ion. Si ce conseil est incorrect pour une conception de cellule qui diffère de celles-ci, alors le conseil correct peut être substitué).
- N'utilisez pas une batterie ou un outil qui est endommagé ou modifié. Les batteries endommagées ou modifiées peuvent présenter un comportement imprévisible entraînant un incendie, une explosion ou un risque de blessure.
- N'exposez pas une batterie ou un outil au feu ou à une température excessive. L'exposition au feu ou à une température supérieure à 130 °C (266 °F) peut provoquer

une explosion.

- Suivez toutes les instructions de charge et ne chargez pas la batterie ou l'outil en dehors de la plage de température spécifiée dans les instructions. Une charge inadéquate ou à des températures hors de la plage spécifiée peut endommager la batterie et augmenter le risque d'incendie.
- Ne modifiez pas et n'essayez pas de réparer l'appareil ou la batterie (le cas échéant), sauf si cela est indiqué dans les instructions d'utilisation et d'entretien.

VIBRATIONS ET RÉDUCTION DU BRUIT

Afin de réduire l'impact des émissions sonores et vibratoires, limitez la durée d'utilisation, utilisez des modes à basses vibrations et à faibles bruits et portez des équipements de protection individuelle. Prenez en compte les facteurs suivants afin de minimiser l'exposition aux bruits et aux vibrations:

- Utilisez l'outil exclusivement tel que prévu par sa conception et ces instructions.
- Veillez à ce que le produit soit en bon état et bien entretenu.
- Utilisez des accessoires adéquats avec cet outil et veillez à

ce qu'ils soient en bon état.

- Tenez fermement les poignées/surfaces de préhension.
- Entretenez cet outil conformément aux présentes instructions et maintenez-le bien lubrifié (si applicable).
- Planifiez votre travail avec un outil générant de fortes vibrations de façon à en étaler l'utilisation sur une longue période.

URGENCE

À l'aide du présent mode d'emploi, familiarisez-vous avec l'utilisation de cet appareil. Mémorisez les consignes de sécurité et suivez-les à la lettre. Cela vous permettra de prévenir les risques et les dangers.

- Soyez toujours vigilant(e) lorsque vous utilisez ce produit, afin de pouvoir reconnaître et traiter les risques à temps. Une intervention rapide peut permettre d'éviter des blessures graves et des dommages matériels.
- Éteignez le produit et retirez le bloc-batterie en cas de mauvais fonctionnement. Faites examiner l'outil par un professionnel qualifié et faites-le réparer si nécessaire, avant de le réutiliser.

DESCRIPTION DE VOTRE APPAREIL

APPLICATIONS

Modèle : PSRX2-M2

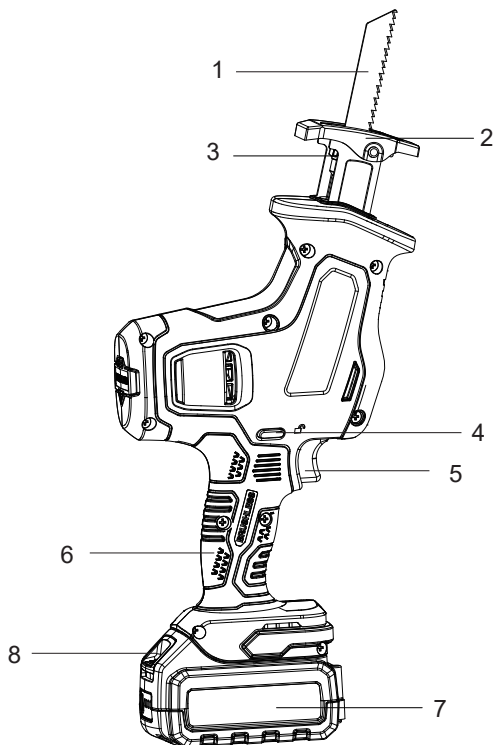
En tant que scie alternative sans fil :

Découpe du bois, du métal et des matières plastiques.






REMARQUE :

Le PSRX2-M2-0 n'inclut pas le chargeur ni la batterie.



- | | |
|--------------------------------|-----------------------------|
| 1. Lame | 5. Interrupteur à gâchette |
| 2. Sabot pivotant | 6. Poignée |
| 3. Collet | 7. Batterie |
| 4. Verrouillage de la gâchette | 8. Bouton de déverrouillage |

SPÉCIFICATIONS*

Modèle	PSRX2-M2	
Tension nominale	18 V CC	
Vitesse à vide	3000 tr/mn	
Longueur de course	7/8 "	
Capacité de coupe :		
Bois	1,58 ""*7,87 "	
(tuyau en acier doux	2,36 ""*0,12 "	
Poids (sans batterie)	3,77 livres	
Modèle de batterie	B25X2	B50X2
Tension nominale	18 V 	18 V 
Capacité nominale	2,5 Ah	5,0 Ah
Poids	0,74 livres	1,43 livre
Modèle de chargeur	CHX2	
Puissance nominale d'entrée	100-240 V ~ 50/60 Hz	
Puissance nominale de sortie	21 V, 2000 mA	
Durée de charge (avec batterie de 2,5 Ah)	85 minutes	
Durée de charge (avec batterie de 5,0 Ah)	130 minutes	
Classe de protection (pour chargeur)	 / II	
Poids	0,75 livres	

Modèle	PSRX2-M2-0	
Tension nominale	18 V CC	
Vitesse à vide	3000 tr/mn	
Longueur de course	7/8 "	
Capacité de coupe :		
Bois	1,58 ""*7,87 "	
Tuyau en acier doux	2,36 ""*0,12 "	
Poids (sans batterie)	3,77 livres	
Modèle de batterie	Non inclus	
Modèle de chargeur	Non inclus	

ASSEMBLAGE

1. Déballez toutes les pièces et posez-les sur une surface plane et stable.
2. Retirez tous les matériaux d'emballage et les dispositifs d'expédition, le cas échéant.
3. L'étendue de la livraison varie en fonction du pays et de la variante achetée.
Modèle de PSRX2-M2
 - Scie alternative x 1
 - Lame x 1
 - Batterie x 1
 - Chargeur x 1
 - Manuel d'instructions x 1
4. Si vous constatez que des pièces sont manquantes ou présentent des dommages, n'utilisez pas le produit mais contactez votre revendeur. L'utilisation d'un produit incomplet ou endommagé représente un danger pour les personnes et les biens.
5. Assurez-vous que vous disposez de tous les accessoires et outils nécessaires à l'assemblage et à l'utilisation. Cela comprend également un équipement de protection individuelle approprié.



REMARQUE :

Le PSRX2-M2 comprend un chargeur et une batterie.

Le PSRX2-M2-0 n'inclut pas le chargeur ni la batterie.



AVERTISSEMENT :



Portez des gants de protection pour ce travail d'assemblage et posez toujours le produit sur une surface plane et stable lors de l'assemblage.



Suivez les instructions d'assemblage étape par étape et utilisez les photos fournies comme guide visuel pour assembler facilement le produit !

N'insérez pas la batterie avant que l'outil électrique ne soit complètement assemblé ou réglé !

LAME

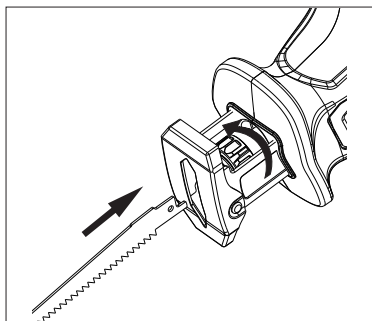


AVERTISSEMENT :

Ne fixez jamais une lame coudée et n'utilisez jamais la scie avec une lame desserrée.

Pour installer la lame :

Tournez le collet ouvert et insérez la lame aussi loin que possible. Une fois relâchée, la lame sera fermement maintenue en place. Tirez sur la lame pour vous assurer qu'elle est bien serrée.



Pour retirer la lame :

Ouvrez le collet en le tournant et retirez la lame.



AVERTISSEMENT :

La lame peut être chaude après l'utilisation. Assurez-vous qu'elle est complètement refroidie avant de la toucher.

BATTERIE

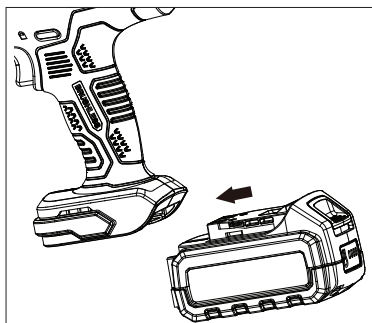


REMARQUE :

Avant l'installation, verrouillez la gâchette de l'interrupteur pour éviter tout démarrage involontaire.

Pour installer la batterie :

Alignez et faites glisser la batterie dans le port d'accueil jusqu'à ce qu'elle soit verrouillée en place.



Pour retirer la batterie :

Appuyez sur le bouton de déverrouillage et retirez la batterie.



AVERTISSEMENT :

Portez toujours une protection pour les yeux, les oreilles et les mains afin de réduire le risque de blessure lorsque vous utilisez l'outil. Gardez toutes les parties de votre corps éloignées de l'embout en rotation.

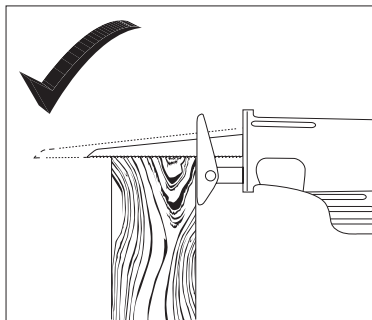
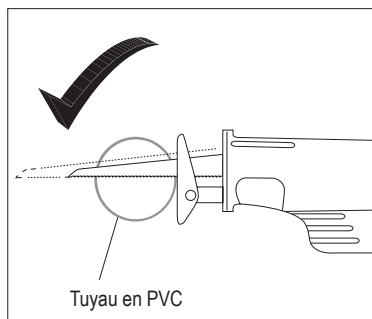


AVERTISSEMENT :

Avant de couper tout type de matériau, assurez-vous qu'il est fermement attaché pour éviter qu'il ne glisse.

INSTALLATION DE LA PIÈCE ET DE LA ZONE DE TRAVAIL

1. Choisissez une zone de travail propre et bien éclairée. La zone de travail ne doit pas être accessible aux enfants ou aux animaux domestiques afin d'éviter toute distraction et toute blessure.
2. Fixez les pièces lâches à l'aide d'un étau ou de pinces pour empêcher tout mouvement pendant le travail.
3. Il ne doit pas y avoir d'objets, tels que des lignes électriques, à proximité qui présenteraient un danger pendant le travail. Ceci est particulièrement important pour les coupes en plongée.
4. Avec un gant, poussez le porte-lame à fond vers l'arrière. La pièce à travailler doit être plus fine que l'extension minimale de la lame.

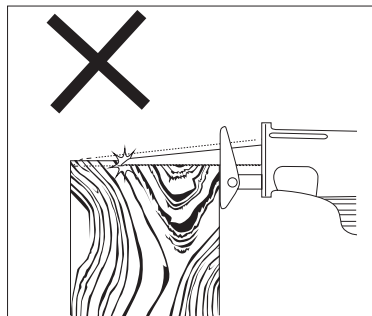
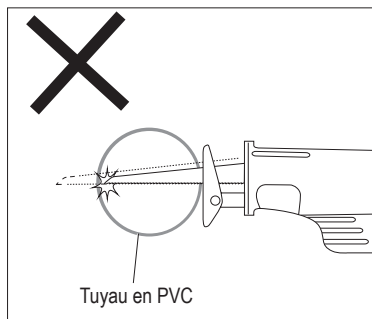


5. La lame peut se briser si elle ne dépasse pas le sabot et la pièce pendant la coupe. Une pièce de taille appropriée est importante pour le fonctionnement.



AVERTISSEMENT :

Pour éviter toute blessure, ne l'utilisez pas sur des pièces plus épaisses que l'extension minimale de la lame à leur épaisseur maximale. La pointe de la lame peut heurter la pièce et se briser.



MISE EN MARCHÉ / ARRÊT

Déverrouillez la gâchette de l'interrupteur, puis appuyez sur la gâchette de l'interrupteur pour démarrer la scie.

La scie s'arrête dès que la gâchette de l'interrupteur est relâchée. Lorsque l'outil n'est pas utilisé, tournez le verrou de la gâchette en position « Lock » (Verrouillage) pour éviter tout démarrage involontaire.

INSTRUCTIONS GÉNÉRALES D'UTILISATION

1. Saisissez fermement la scie des deux mains, posez l'avant du sabot pivotant sur la pièce avec la lame au-dessus de la pièce.
2. Posez le sabot pivotant sur la pièce (assurez-vous que la lame ne touche pas la pièce).
3. Laissez la scie atteindre la vitesse désirée avant de la guider dans la pièce.



REMARQUE :

Utilisez une vitesse plus rapide lors de la coupe de matériaux plus tendres. Utilisez une vitesse plus lente lors de la coupe de matériaux plus durs.

4. Ne forcez pas la coupe. Suivez la coupe et maintenez un mouvement régulier.
5. Maintenez toujours le sabot pivotant fermement contre la pièce. Ne pliez jamais la lame.
6. La scie s'arrête lorsque la lame est bloquée. Retirez la lame de la coupe et redémarrez.
7. Remplacez la lame lorsqu'elle est émoussée.
8. Pour éviter les accidents, éteignez l'outil et verrouillez la gâchette, retirez la batterie après l'utilisation. Nettoyez, puis rangez l'outil en intérieur, hors de portée des enfants.



AVERTISSEMENT :

Empêchez l'accumulation de poussière sur le lieu de travail. La poussière peut facilement s'enflammer.

COUPE EN PLONGÉE



REMARQUE :

Coupez en plongée dans des panneaux de contreplaqué, de plaques de plâtre et de panneaux minces. N'essayez pas de découper en plongée dans des panneaux épais, en bois dur ou en métal.

1. Marquez la ligne de coupe sur la pièce.
2. Placez le sabot pivotant sur la pièce avec la lame parallèle à la ligne de coupe, sans toucher la pièce.



AVERTISSEMENT :

Pour éviter toute blessure grave due au rebond, ne commencez pas une coupe en plongée avec la lame de la scie touchant la pièce.

3. Démarrez la scie et laissez-la atteindre sa pleine vitesse.
4. Guidez la lame dans la pièce. Inclinez lentement la scie jusqu'à ce que la lame soit perpendiculaire à la pièce.
5. Maintenez la coupe régulière le long de la ligne pour terminer la coupe.

COUPE DU MÉTAL

1. Installez une lame spécialement conçue pour la coupe des métaux.
2. Enduisez la surface de coupe d'huile de coupe pour éviter que la lame ne surchauffe.
3. Suivez les INSTRUCTIONS GÉNÉRALES D'UTILISATION.

COMMENT CHARGER LA BATTERIE



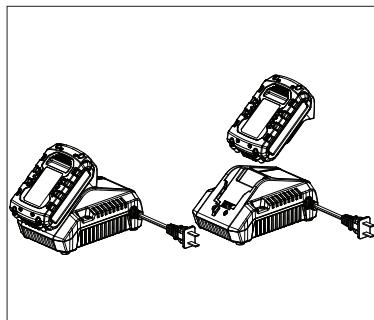
AVERTISSEMENT :

Cette batterie au lithium-ion est expédiée partiellement chargée. Chargez complètement la batterie avant de l'utiliser pour la première fois.



REMARQUE :

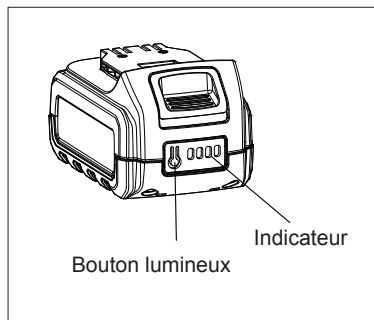
Chargez les batteries à une température ambiante comprise entre 32 °F (0 °C) - 104 °F (40 °C).



1. Chargez la batterie au lithium-ion uniquement avec le chargeur approprié.
2. Connectez le chargeur à une source d'alimentation ; l'indicateur lumineux du chargeur devient rouge.
3. Alignez les nervures surélevées de la batterie avec la fente du chargeur.
4. Insérez la batterie dans le chargeur, l'indicateur lumineux du chargeur devient vert et clignote.
5. Le chargeur communiquera avec la batterie pour évaluer le statut de charge de la batterie.
6. Il est complètement chargé lorsque les quatre lumières de la batterie s'allument. Débranchez l'alimentation électrique du chargeur. Retirez la batterie du chargeur.

INDICATEUR DE CHARGE

Appuyez sur le bouton lumineux de la batterie pour vérifier si elle doit être chargée.



Indicateurs			Statut
Éclairé	Désactivé	Clignotant	
			La batterie est à pleine capacité.
			La batterie est à 75% de sa capacité.
			La batterie a une capacité de 50% et doit être rechargée.
			La batterie a une capacité de 25% et doit être rechargée rapidement.
			La batterie a moins de 5% de capacité et nécessite une charge immédiate.



AVERTISSEMENT :

Des dysfonctionnements peuvent survenir lorsque les quatre indicateurs clignotent à tour de rôle.

PROTECTION CONTRE LA SURCHAUFFE

Lorsque l'outil / la batterie surchauffe, l'outil s'arrête automatiquement. Dans ce cas, laissez refroidir l'outil électrique / la batterie avant de rallumer l'outil.

PROTECTION CONTRE LA SURDÉCHARGE

Lorsque la capacité de la batterie n'est pas suffisante, l'outil s'arrête automatiquement. Dans ce cas, retirez la batterie de l'outil et chargez-la.



AVERTISSEMENT :

N'effectuez les travaux de nettoyage et d'entretien que conformément à ces instructions !
Tous les autres travaux doivent être effectués par un spécialiste qualifié !



AVERTISSEMENT :

POUR ÉVITER DE GRAVES BLESSURES DUES

À UN FONCTIONNEMENT ACCIDENTEL :

Assurez-vous que la gâchette est verrouillée et que la batterie est retirée avant d'effectuer toute procédure de cette section.

POUR ÉVITER TOUTE BLESSURE GRAVE DUE A UNE DÉFAILLANCE DE L'OUTIL :

N'utilisez pas d'équipements endommagés.

Si des bruits ou des vibrations anormaux se produisent, faites corriger le problème avant de poursuivre l'utilisation.

Votre outil électrique ne contient aucune pièce pouvant être réparée par l'utilisateur.

Si l'une des conditions suivantes est constatée, cessez d'utiliser l'outil et envoyez-le au centre de service agréé pour réparation.

- batterie qui fuit, gonfle ou se fissure
- matériel desserré
- désalignement ou fixation des accessoires.
- pièces fissurées ou cassées.
- toute autre condition susceptible d'affecter son fonctionnement en toute sécurité.

NETTOYAGE

1. Nettoyez la poussière et les débris des orifices d'aération.
2. Gardez la poignée propre, sèche et exempte d'huile ou de graisse.
3. Assurez-vous que le collet est exempt de copeaux et de sciure.
4. Enlevez la saleté tenace du boîtier avec de l'air à haute pression (3 bars maximum).



REMARQUE :

N'utilisez pas de détergents ou de désinfectants chimiques, alcalins, abrasifs ou autres détergents agressifs pour nettoyer ce produit, car ils pourraient être nocifs pour ses surfaces.

TRANSPORT

1. Ne transportez l'outil que par sa poignée.
2. Retirez ou couvrez la lame pendant le transport.
3. Protégez le produit de tout impact important ou de fortes vibrations pouvant survenir lors du transport dans des véhicules.
4. Fixez l'appareil pour éviter qu'il ne glisse ou ne tombe.

ENTREPOSAGE

1. Nettoyez soigneusement l'outil comme décrit ci-dessus.
2. Rangez l'appareil dans un endroit sombre, sec, à l'abri du gel, bien ventilé et inaccessible aux enfants. La température de stockage idéale se situe entre 10 ° C (50 ° F) et 30 ° C (86 ° F).
3. Utilisez l'emballage d'origine pour l'entreposage ou couvrez-le d'un tissu approprié pour le protéger de la poussière.



REMARQUE :

Pour prolonger la durée de vie de la batterie, rangez-la séparément de l'outil, dans un état de charge de 30 à 50 %. Il est recommandé de charger votre batterie au moins tous les 6 mois.

MISE AU REBUT

Les déchets ne doivent pas être éliminés avec les déchets ménagers. Recyclez-les là où des installations existent.

Renseignez-vous auprès des autorités locales ou de votre détaillant pour obtenir des conseils en matière de recyclage.

Des copeaux ou de la sciure peuvent être produits par l'outil pendant le fonctionnement ; les utilisateurs doivent nettoyer ces objets pour protéger l'environnement.



Les produits électriques ne doivent pas être jetés avec les produits ménagers. Les produits électriques usagés doivent être recueillis séparément et éliminés dans des points de collecte prévus à cette fin. Consultez les autorités locales ou votre revendeur pour obtenir des conseils sur le recyclage.

GUIDE DE DÉPANNAGE

Les dysfonctionnements suspectés sont souvent dus à des causes que les utilisateurs peuvent résoudre eux-mêmes. Par conséquent, vérifiez le produit en utilisant ce paragraphe. Dans la plupart des cas, le problème peut être résolu rapidement.

PROBLÈME	CAUSE POSSIBLE	SOLUTION
Le produit ne démarre pas.	La gâchette de l'interrupteur est verrouillée	Déverrouillez la gâchette de l'interrupteur
	La batterie n'est pas correctement fixée	Fixez-la correctement
	Batterie complètement déchargée	Rechargez la batterie.
L'outil fonctionne lentement.	L'outil est forcé de fonctionner trop rapidement.	Laissez l'outil fonctionner à son propre rythme.
	La puissance de la batterie est trop faible.	Rechargez la batterie.
Les performances diminuent au fil du temps.	La lame est émoussée ou endommagée.	Maintenez les lames affûtées. Remplacez la lame usée par une neuve si nécessaire.
	La batterie a atteint son cycle de vie.	Remplacez-la par une nouvelle batterie
Bruit excessif.	Dommages internes ou usure (roulements, par exemple.)	Demandez à un technicien de réparer l'outil
Surchauffe	L'outil est forcé de fonctionner trop rapidement.	Laissez l'outil fonctionner à son propre rythme.
	Lame émoussée ou endommagée.	Maintenez les lames affûtées. Remplacez-les au besoin.
	Orifices de ventilations du carter du moteur bloqués.	Expulsez la poussière du moteur à l'aide d'air comprimé.

GARANTIE

GARANTIE LIMITÉE

Garantie limitée de 5 ans sur tous les équipements et chargeurs d'extérieur alimentés par batterie de la série Senix X2.

Garantie limitée de 3 ans sur toutes les batteries Senix X2. *

Ce produit Senix est garanti **PENDANT CINQ ANS** à compter de la date d'achat d'origine, contre les défauts de matériaux ou de fabrication sur les outils électriques et les chargeurs. Le produit défectueux sera réparé gratuitement.*

Ce produit Senix est garanti **PENDANT TROIS ANS** à compter de la date d'achat d'origine, contre les défauts de matériaux ou de fabrication de la batterie. Le produit défectueux sera réparé gratuitement.*

Cette garantie ne couvre pas l'usure normale des pièces et des composants tels que la chaîne de coupe, le fil ou les lames, et cette garantie ne couvre pas les frais de transport du produit pour la garantie ou l'entretien.

La garantie est sujette aux deux conditions suivantes :

- La garantie s'applique à l'acheteur original au détail et n'est pas transférable *
- Enregistrement de la garantie sur www.senixtools.com
- L'outil n'a pas été utilisé incorrectement, abusé, négligé, altéré, modifié ou réparé par quiconque d'autre qu'un centre d'entretien autorisé.
- Seuls les accessoires Senix authentiques ont été utilisés avec ou sur ce produit.
- L'outil a été soumis à une usure normale.
- L'outil n'a pas été utilisé à des fins commerciales ou professionnelles
- L'outil n'a pas été utilisé à des fins locatives.
- Cette garantie ne couvre que les défauts résultant d'une utilisation normale et ne couvre pas les dysfonctionnements, défaillances ou défauts résultant d'une utilisation incorrecte, d'un abus (surcharge du produit, exposition à l'eau ou à la pluie), d'une négligence ou d'un défaut d'installation, d'entretien ou de stockage. .

Pour localiser votre fournisseur de services Senix le plus proche, appelez gratuitement le 800-261-3981 ou envoyez-nous un e-mail sur service@senixtools.com.

Limitations supplémentaires

Toute garantie implicite accordée en vertu de la législation en vigueur, y compris les garanties de qualité marchande ou d'adéquation à un usage particulier, est limitée à trois ans à compter de la date d'achat pour les outils électriques et les chargeurs et à sept ans pour les batteries. Le fabricant n'est pas responsable des dommages directs, indirects, accessoires ou consécutifs. Certains états et provinces n'autorisent pas les limitations sur la durée d'une garantie implicite et / ou n'autorisent pas l'exclusion ou la limitation des dommages accessoires, et dans ce cas, les restrictions décrites précédemment ne s'appliquent pas. Cette garantie vous donne des droits légaux spécifiques, et vous pouvez également avoir d'autres droits qui varient d'un état à l'autre ou d'une province à l'autre.

YAT USA décline toute responsabilité en matière de responsabilité civile résultant d'une utilisation abusive ou non conforme à une utilisation et une maintenance correctes de la machine telles que décrites dans le manuel de l'utilisateur.

YAT USA n'est pas responsable des dommages directs, indirects, accessoires ou consécutifs.

Après l'achat, le fabricant recommande un entretien approprié de la machine et de lire le manuel de l'utilisateur avant d'utiliser la machine.

* Un reçu d'achat original peut être exigé comme preuve d'achat.

Pour le service à la clientèle, contactez-nous gratuitement au 1-800-261-3981 ou sur Senixtools.com.

10506 Bryton Corporate Center Dr, #500 Huntersville, NC 28078