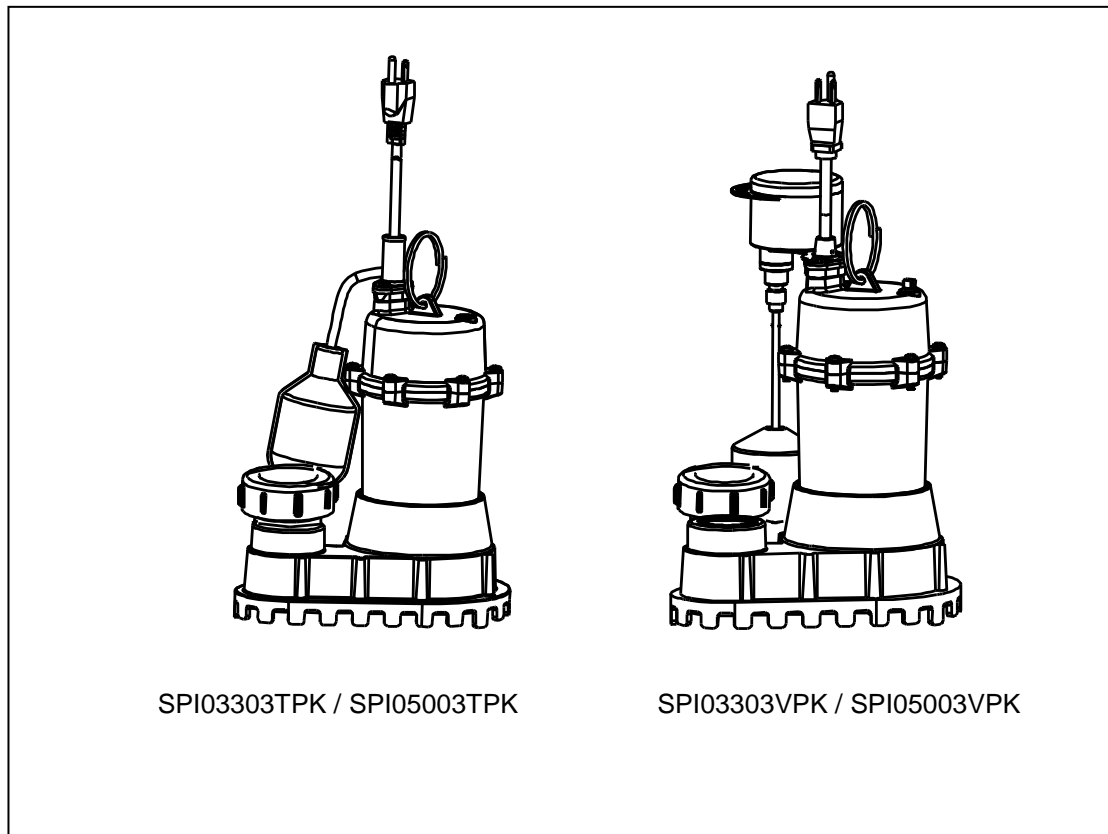




Model: SPI03303TPK/ SPI03303VPK  
SPI05003TPK/ SPI05003VPK

# OWNER'S MANUAL

## SUBMERSIBLE SUMP PUMP



Questions, problems, missing parts? Before returning to the store call

K2 Customer Service 8 a.m. - 6 p.m., EST, Monday-Friday

**1-844-242-2475**

[www.K2pumps.com](http://www.K2pumps.com)

# PERFORMANCE

Model	HP	GPH of Water @ Total Feet Of Lift						Max. Lift
		0 ft.	5 ft.	10 ft.	15 ft.	20 ft.	25 ft.	
SPI03303TPK/ SPI03303VPK	1/3	3800	3400	3000	2500	1800	0	25 ft.
SPI05003TPK/ SPI05003VPK	1/2	4300	3900	3500	3100	2500	1700	30 ft.

# SAFETY INSTRUCTIONS

1. Do not pump flammable or explosive liquids such as oil, gasoline, kerosene, ethanol, etc. Do not use in the presence of flammable or explosive vapors. Using this pump with or near flammable liquids can cause an explosion or fire, resulting in property damage, serious personal injury, and/or death.
2. ALWAYS disconnect the power to the pump before servicing.
3. Do not touch the motor housing during operation. The motor is designed to operate at high temperatures. Do not disassemble the motor housing.
4. Do not handle the pump or pump motor with wet hands or when standing on a wet or damp surface, or in water before disconnect the power.
5. Release all pressure and drain all water from the system before servicing any component.
6. Secure the discharge line before starting the pump. An unsecured discharge line will whip, possibly causing personal injury, and/or property damage.
7. Extension cords may not deliver sufficient voltage to the pump motor. Extension cords present a life threatening safety hazard if the insulation becomes damaged or the connection ends fall into water. The use of an extension cord to power this pump is not permitted.
8. Wear safety goggles at all times when working with pumps.
9. This unit is designed only for use on 115 volts (single phase), 60 Hz, and is equipped with an approved 3-conductor cord and 3-prong grounded plug. Do not remove the ground pin under any circumstances. The 3-prong plug must be directly inserted into a properly installed and grounded 3-prong, grounding-type receptacle. Do not use this pump with a 2-prong wall outlet. Replace the 2-prong outlet with a properly grounded 3-prong receptacle (a GFCI outlet) installed in accordance with the National Electrical Code and local codes and ordinances. All wiring should be performed by a qualified electrician.
10. Protect the electrical cord from sharp objects, hot surfaces, oil, and chemicals. Avoid kinking the cord. Do not use damaged or worn cords.
11. Failure to comply with the instruction and designed operation of this unit may void the warranty. ATTEMPTING TO USE A DAMAGED PUMP can result in property damage, serious personal injury, and/or death.
12. Ensure that the electrical circuit to the pump is protected by a 15 Amp fuse or circuit breaker.
13. Do not lift the pump by the power cord.
14. Know the pump and its applications, limitations, and potential hazards.
15. Secure the pump to a solid base. This will aid in keeping the pump in a vertical orientation. This is critical in keeping the pump operating at maximum efficiency. It will also help prevent the pump from clogging resulting in premature failure.
16. Periodically inspect the pump and system components to ensure the pump suction screen is free of mud, sand, and debris. Disconnect the pump from the power supply before inspecting.
17. Follow all local electrical and safety codes, along with the National Electrical Code (NEC). In addition, all Occupational Safety and Health Administration (OSHA) guidelines must be followed.

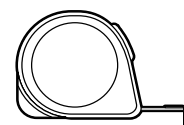
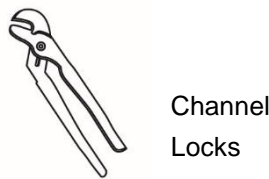
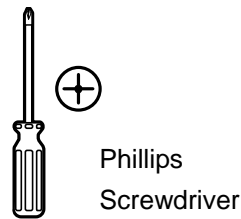
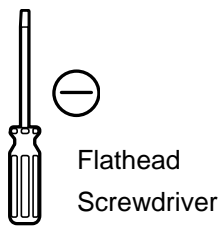
18. The motor of this pump has a thermal protector that will trip if the motor becomes too hot. The protector will reset itself once the motor cools down and an acceptable temperature has been reached. The pump may start unexpectedly if it is plugged in.
19. Ensure the electrical power source is adequate for the requirements of the pump.
20. This pump is made of high-strength, corrosion-resistant materials. It will provide trouble-free service for a long time when properly installed, maintained, and used. However, inadequate electrical power to the pump, dirt, or debris may cause the pump to fail. Please carefully read the manual and follow the instructions regarding common pump problems and remedies.

## PRE-INSTALLATION

### APPLICATION

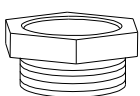
- ❑ This submersible sump pump is designed for home sump applications. Use this pump only for pumping water.
- ❑ This unit is not designed as a waterfall or fountain pump, or for applications involving salt water or brine! Use with waterfalls, fountains, salt water or brine will void warranty.
- ❑ Do not use where water recirculates.
- ❑ Not designed for use as a swimming pool drainer.

### TOOLS REQUIRED



### MATERIALS REQUIRED (NOT INCLUDED)

**NOTE:** Parts shown below not to scale.



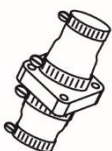
1-1/2" or 1-1/4" with adaptor (if using 1-1/4" discharge pipe)



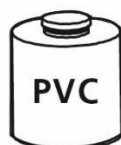
1-1/2" ABS or PVC Pipe



Thread Tape



1-1/2" check valve



ABS or PVC Cement (to match the pipe)



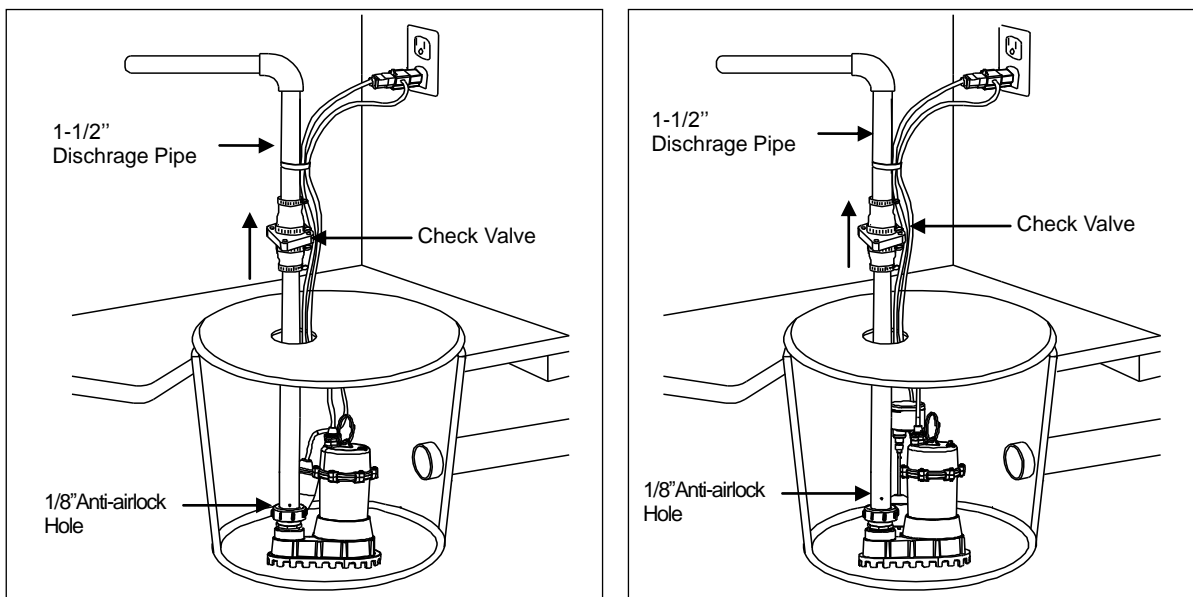
1-1/2" 90° Elbow

# SPECIFICATIONS

<b>Power supply</b>	115V, 60 HZ., 15 Amp Circuit
<b>Liquid temp. range</b>	32°F to 95°F (0°- 35°C)
<b>Discharge size</b>	1-1/2" or 1-1/4" with adaptor (purchased separately if using 1-1/4" discharge pipe)
<b>Sump basin</b>	Min. 14 in. (356 mm) diameter, 18 in. (457 mm) depth for tethered switch Min. 10 in. (254 mm) diameter, 14 in. (356 mm) depth for vertical switch

**NOTE:** Do not reduce size of discharge pipe or hose below 1-1/2 in. diameter. If discharge is too small, pump will overheat and fail prematurely. This pump is designed for use in a residential sump only. Only pump water with this pump.

## INSTALLATION



1. Install the pump in sump pit with minimum diameter of 10 in. (254 mm) for models equipped with vertical switches and 14 in. (356 mm) for tethered float switch models. The sump depth should be 14 in. (356 mm) for vertically switched models and 18 in. (457 mm) for tethered models. Construct the sump pit of tile, concrete, steel or plastic. Check local codes for approved materials and for proper installation.
2. Install the pump in a pit so that the switch operating mechanism has maximum possible clearance.
3. The pump should not be installed on clay, earth or sand surfaces. Clean the sump pit of small stones and gravel which could clog the pump. Keep the pump inlet screen clear.

**NOTE:** Do not use ordinary pipe joint compound on plastic pipe. Pipe joint compound can attack plastics.

4. Insert rigid plastic pipe into the quick connector. Hand tighten the knurling nut of the quick connector as tight as possible.

**CAUTION:** Risk of flooding. Can cause personal injury and/or property damage. If a flexible discharge hose is used, make sure the pump is secured in the sump to prevent movement. Failure to secure the pump may allow pump movement, switch interference and prevent the pump from starting or stopping.

5. To reduce motor noise and vibrations, a short length of rubber hose (1-7/8 in. (47.6 mm) I.D., e.g. radiator hose) can be connected into the discharge line near the pump using suitable clamps.
6. Install an in-line check valve or an in-pump check valve to prevent flow backwards through the pump when the pump shuts off.

**NOTE:** If your check valve is not equipped with an air bleed hole to prevent air locking the pump, drill a 1/8"(3.2mm) hole in discharge pipe about 1"-2"(2.5 -5.1cm) above quick connector. The hole must be in the sump.

- Power Supply: Pump is designed for 115 V, 60 Hz, operation and requires a minimum 15 amp individual branch circuit.

Plug the pump power cord plug into the piggyback switch plug outlet, and then plug the switch plug into a 115V GFCI power outlet for automatic operation. The pump will start operating if the float switch moves over the pump top. The water will be pumped out. When the water lowers to certain level, the float switch will turn off the pump.

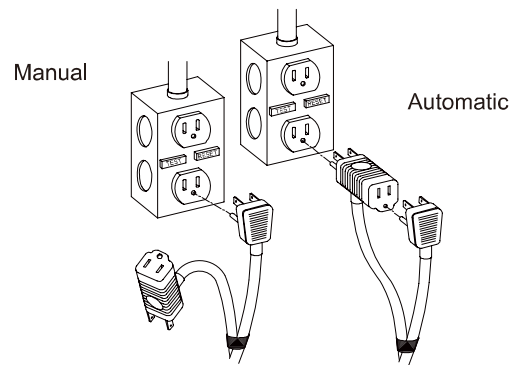
Or plug the pump power cord plug into a 115V GFCI power outlet directly for manual operation. Pump will start operating immediately once it is plugged into the GFCI and drain water out, when the water is moved out, you must unplug the pump immediately.

The following picture shows a typical connection for pumps with the piggy-back plug, for manual and automatic operations.

Automatic - Plug float switch plug into GFCI outlet, then plug pump power cord plug into float switch plug

Manual – Plug pump power cord plug directly into GFCI outlet.

**WARNING:** Risk of electric shock. Can shock, burn or kill. Pump should always be electrically grounded to a suitable electrical ground such as a grounded water pipe or a properly grounded metallic raceway, or ground wire system. Do not cut off the round ground pin.



- If the pump discharge line is exposed to outside subfreezing atmosphere, a portion of line exposed must be installed so any water remaining in the pipe will drain to the outfall by gravity. Failure to do this can cause water trapped in the discharge to freeze which could result in damage to the pump.

- After the piping and check valve have been installed, the unit is ready for operation.

- Check the pump operation by filling the sump with water and observing pump operation through one complete cycle.

**CAUTION:** Risk of flooding. Can cause personal injury and/or property damage. Failure to make this operational check may lead to improper operation, premature failure, and flooding.

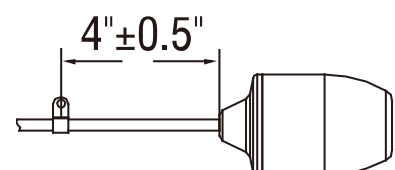
## OPERATION

**WARNING:** Risk of electric shock. Can shock, burn or kill. Do not handle a pump or pump motor with wet hands or when standing on a wet or damp surface, or in water.

- The shaft seal depends on water for lubrication. Do not operate the pump unless it is submerged in water as the seal may be damaged if allowed to run dry.
- The motor is equipped with an automatic reset thermal protector. If temperature in the motor should rise unduly, the switch will cut off all power before damage can be done to the motor. When the motor has cooled sufficiently, the switch will reset automatically and restart the motor. If the protector trips repeatedly, the pump should be removed and checked. Low voltage, long extension cords, clogged impeller, very low head or lift, or a plugged or frozen discharge pipe, etc., could cause the protector to trip.
- The pump will not remove all water. If operating a pump manually, and suddenly no water comes out of the discharge hose, shut off the unit immediately. The water level is probably very low and the unit has broken prime.

**WARNING:** Risk of electric shock. Can shock, burn or kill. Before attempting to check why the unit has stopped operating, disconnect power from the unit.

**CAUTION:** Do Not Change the preset tether length.



## CARE AND CLEANING

**CAUTION:** Always use the handle to lift the pump. Never use the power cord to lift the pump. To avoid skin burns, unplug the pump and allow time for it to cool after periods of extended use.

### Do

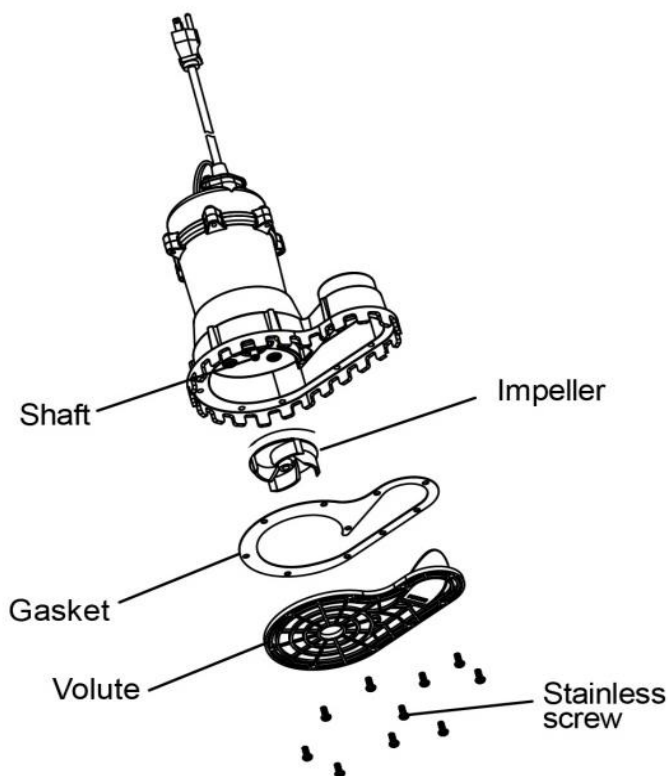
- When the power is disconnected, inspect the pump suction screen and remove all debris, then plug the pump back into the grounded (GFCI) outlet.

### Do Not

- Do not disassemble the motor housing. This motor has NO repairable internal parts, and disassembly may cause leakage or dangerous electrical wiring issues.
- Do not lift up the pump by the power cord.

## To clean a pump clogged with debris:

- Unplug the pump from electrical power.
- Unscrew the stainless screws, and remove the volute & gasket.
- Use a flathead screwdriver to hold the shaft, then turn the impeller counterclockwise to release the impeller.
- Remove debris from around the shaft and on/under the impeller.
- Reassemble the pump.



# TROUBLESHOOTING

Problem	Possible Cause	Corrective Action
The pump does not start or run.	<ol style="list-style-type: none"> <li>1. The fuse is blown.</li> <li>2. The breaker is tripped.</li> <li>3. The plug is disconnected.</li> <li>4. The plug is corroded.</li> <li>5. There is thermal overload.</li> <li>6. The switch failed.</li> <li>7. The motor failed.</li> </ol>	<ol style="list-style-type: none"> <li>1. Replace the fuse.</li> <li>2. Reset the breaker.</li> <li>3. Secure the plug.</li> <li>4. Clean the plug prongs.</li> <li>5. Unplug for 30 minutes and then plug in again.</li> <li>6. Replace the switch.</li> <li>7. Replace the pump.</li> </ol>
The pump operates but pumps little or no water.	<ol style="list-style-type: none"> <li>1. The screen is blocked.</li> <li>2. Debris is caught in the impeller or discharge.</li> <li>3. The impeller is loose on the shaft or the impeller is broken.</li> </ol>	<ol style="list-style-type: none"> <li>1. Clean the screen.</li> <li>2. Remove the debris.</li> <li>3. Reassemble the impeller or replace the impeller.</li> </ol>
The pump starts and stops too often.	<ol style="list-style-type: none"> <li>1. There is a backflow of water from the piping or the check valve is leaking.</li> <li>2. The float switch is stuck.</li> </ol>	<ol style="list-style-type: none"> <li>1. Install a check valve or replace the check valve.</li> <li>2. Clean the float switch to make sure the float moves up and down freely.</li> </ol>
The pump will not shut off.	<ol style="list-style-type: none"> <li>1. The switch is tangled.</li> <li>2. The float switch is faulty.</li> <li>3. The float is obstructed.</li> </ol>	<ol style="list-style-type: none"> <li>1. Reposition the pump and make sure the switch moves freely.</li> <li>2. Replace the switch.</li> <li>3. Remove the obstruction.</li> </ol>

# WARRANTY

## Limited Warranty

### WHAT THIS WARRANTY COVERS

When used and maintained in normal use and in accordance with the Owner's Manual, your K2 product is warranted against original defects in material and workmanship for at least one year (warranty varies depending on model; see box for specific warranty information) from the date of purchase (the "Warranty Period"). During the Warranty Period, K2 will repair or replace at no cost to you, to correct any such defect in products found upon examination by K2 to be defective in materials or workmanship.

**Your dated receipt of purchase is required to make a warranty claim.**

### WHAT THIS WARRANTY DOES NOT COVER

This Warranty does not cover:

Use of the product in a non-residential application, improper installation and/or maintenance of the product, damage due to misuse, acts of God, nature vandalism or other acts beyond control of K2, owner's acts or omissions, use outside the country in which the product was initially purchased and resale of the product by the original owner. This warranty does not cover pick up, delivery, transportation or house calls. However, if you mail your product to a K2 Sales and Service Center for warranty service, cost of shipping will be paid one way. This warranty does not apply to products purchased outside of the United States, including its territories and possessions, outside of U.S. Military Exchange and outside of Canada. This warranty does not cover products purchased from a party that is not an authorized retailer, dealer or distributor of K2 products.

### OTHER IMPORTANT TERMS

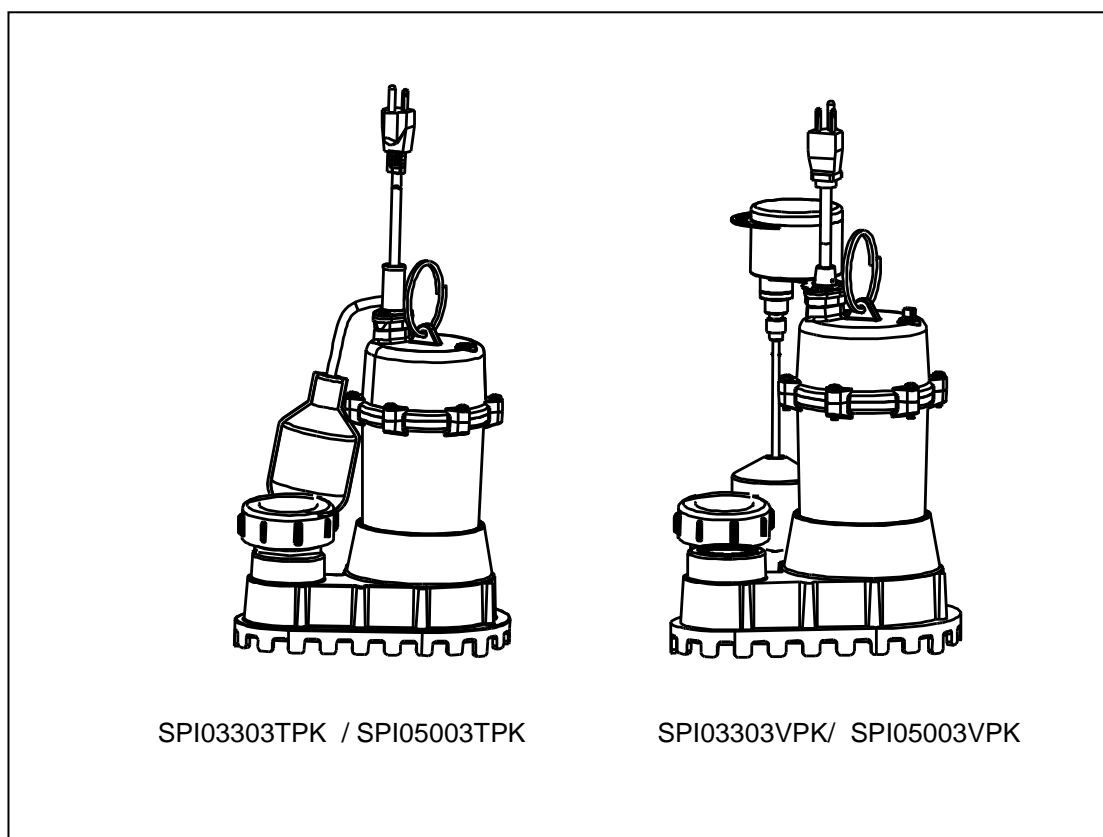
This warranty is not transferable and may not be assigned. This Warranty shall be governed and construed under laws of the state of Michigan. The Warranty Period will not be extended by any replacement or repair performed under this Warranty. THIS WARRANTY IS THE EXCLUSIVE WARRANTY AND REMEDY PROVIDED BY K2. ALL OTHER WARRANTIES, EXPRESSED OR IMPLIED, INCLUDING WARRANTIES OR MERCHANTABILITY OR FITNESS FOR PARTICULAR PURPOSE, ARE DISCLAIMED. IN NO EVENT WILL K2 BE LIABLE FOR ANY SPECIAL, INDIRECT, INCIDENTAL OR CONSEQUENTIAL DAMAGES OF ANY KIND OR NATURE TO OWNER OR ANY PARTY CLAIMING THROUGH OWNER WHETHER BASED IN CONTRACT, NEGLIGENCE, TORT, OR STRICT PRODUCTS LIABILITY OR ARISING FROM ANY CAUSE WHATSOEVER. Some states do not allow for the exclusion of consequential damages, so the above exclusion may not apply to you. This warranty gives you specific rights. You may also have others that vary from state to state.

**Thank you for choosing a K2 product!**



# NOTICE D'UTILISATION

## POMPES SUBMERSIBLES PUISARD



Questions, problèmes, pièces manquantes ? Avant de retourner au magasin,  
appelezle Service à la clientèle K2 du lundi au vendredi, de 8 h à 18 h,

heure normale de l'Est

**1-844-242-2475**

[www.K2pumps.com](http://www.K2pumps.com)

# PERFORMANCE

Modèle	CV	GPH d'eau @ Total de levage en pieds						Levée max.
		0 pi.	5 pi.	10 pi.	15 pi.	20 pi.	25 pi.	
SPI03303TPK/ SPI03303VPK	1/3	3800	3400	3000	2500	1800	0	25 pi.
SPI05003TPK/ SPI05003VPK	1/2	4300	3900	3500	3100	2500	1700	30 pi.

## Consignes de sécurité

1. Ne pas pomper de liquides explosifs ou inflammables tels que de l'huile, de l'essence, du kérosène, de l'éthanol, etc. Ne pas utiliser en présence de vapeurs inflammables ou explosives. Le fait d'utiliser cette pompe avec ou à proximité
2. TOUJOURS débrancher la pompe avant de procéder à l'entretien.
3. Ne pas toucher le boîtier du moteur lorsqu'il fonctionne. Le moteur est conçu pour fonctionner à des températures élevées. Ne pas démonter le boîtier du moteur.
4. Ne pas manipuler la pompe ni le moteur de la pompe lorsque vous avez les mains mouillées ou les pieds dans l'eau ou dans un endroit humide ou détrempé sans couper l'alimentation électrique.
5. Relâcher toute la pression restante et vider toute l'eau de l'appareil avant de procéder à l'entretien de la pompe.
6. Fixer le tuyau de déversement avant de mettre la pompe en marche. Un tuyau de déversement mal fixé peut fouetter, ce qui entraîne un risque de blessures corporelles et/ou de dommages matériels.
7. Les rallonges électriques n'achèment pas toujours une tension suffisante au moteur de la pompe. Les rallonges électriques présentent un risque très grave pour la vie et la sécurité si l'isolant devient effiloché ou si l'extrémité devient mouillée. Il est interdit d'utiliser une rallonge électrique pour faire fonctionner cette pompe.
8. Toujours porter des lunettes de sécurité lorsque vous travaillez avec une pompe.
9. La pompe est conçue pour du 115 V (monophasés) et 60 Hz. Elle est fournie avec un câble à 3 fils métalliques agréé et avec une prise à la masse pour une sortie à la masse à 3 broches. **NE JAMAIS RETIRER, EN AUCUNES CIRCONSTANCES, LE CONTACT À LA MASSE.** La fiche à 3 broches doit être insérée directement dans un réceptacle de type mise à la masse à 3 fiches à la masse et correctement installé. Ne pas utiliser cette pompe avec une prise murale à 2 broches. Remplacer la prise à 2 broches par un réceptacle à 3 broches correctement mis à la masse (prise agréée avec disjoncteur différentiel) installé en conformité avec l'ensemble de la réglementation. L'utilisation de liquides inflammables est susceptible de provoquer une explosion ou un incendie, d'où un risque d'accident corporel et/ou de décès.
10. Protéger le cordon électrique des objets tranchants, des surfaces chaudes, des huiles et des produits chimiques. Éviter d'entortiller le cordon. Ne pas utiliser de cordons endommagés ou usés.
11. Tout manquement à respecter cette notice et l'utilisation prévue de cette unité est susceptible d'invalider la garantie. Toute tentative pour utiliser une pompe endommagée risque d'entraîner un dommage matériel, un accident corporel grave, et/ou un risque de décès.
12. Vérifier que le circuit électrique de la pompe est protégé par un coupe-circuit ou par un fusible de 15 A.
13. Ne soulevez pas la pompe par le cordon d'alimentation.
14. Connaître les applications, limitations et dangers éventuels de la pompe.
15. Fixer la pompe sur une base solide. Cette précaution contribue à maintenir la pompe en position verticale. Cette précaution est essentielle pour maintenir le fonctionnement de la pompe à un niveau d'efficacité optimal. Cette démarche contribue également à éviter un engorgement de la pompe susceptible d'entraîner une panne prématurée.

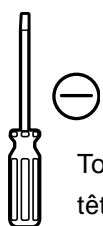
16. Inspecter périodiquement la pompe et les composants du système afin de vérifier que les amenées de la pompe sont dépourvues de boue, de sable et de débris. avant de procéder à une inspection, débrancher la pompe de l'alimentation électrique.
17. Respecter l'ensemble de la réglementation électrique et de sécurité locale, ainsi que le Code national de l'électricité. Il est en outre impératif de respecter l'ensemble des directives de l'administration américaine en charge de l'hygiène et de la sécurité du travail (Occupational Safety and Health Administration, OSHA).
18. Le moteur de cette pompe est muni d'un protecteur thermique qui s'arrête si le moteur surchauffe. Le protecteur se réinitialise automatiquement une fois que le moteur refroidit et qu'une température acceptable est atteinte. La pompe peut démarrer de manière inattendue si l'appareil est branché.
19. Vérifier que l'alimentation électrique correspond bien aux spécifications de la pompe.
20. Cette pompe est composée de matériaux anticorrosion hautement résistants. Correctement installée, entretenue et utilisée, elle offre un fonctionnement sans failles sur une longue durée. Cependant, une alimentation électrique inadéquate de la pompe, la présence de salissures ou de débris peuvent provoquer une panne de la pompe. Lire attentivement le manuel et suivre les instructions relatives aux problèmes courants liés à cette pompe, ainsi que les mesures à prendre pour y remédier.

## AVANT L'INSTALLATION

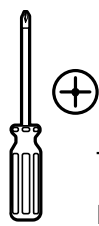
### UTILISATION

- Cette pompe de puisard submersible est conçue pour usage résidentiel. Utiliser cette pompe uniquement pour pomper de l'eau.
- Cette pompe n'est pas conçue pour être utilisée en tant que pompe de fontaine ou de chute d'eau ni dans des eau salées ou de saumure! Son utilisation avec une chute d'eau, une fontaine, de l'eau salée ou de saumure annulera la garantie.
- Ne pas utiliser où de l'eau recircule.
- Cette pompe n'est pas conçue pour vider les piscines.

### HERRAMIENTAS REQUERIDAS



Tournevis à tête



Tournevis Phillips



D'une pince multiprise



Clé à tube



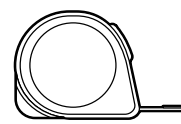
Scie à métaux



De brides de verrouillage



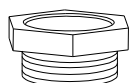
Lunettes de sécurité



Ruban à mesurer

## PIÈCES REQUISES (NON INCLUSES)

**NOTE:** L'adaptateur ci-dessous n'est pas représenté à l'échelle.



Adaptateur de 1-1/2 po à 1-1/4 po (en cas d'utilisation d'un tuyau d'évacuation de 1-1/4 po)



Tuyau en ABS ou PVC de 1-1/2 po



Ruban de filetage



Clapet de non-retour de 1-1/2 po



Ciment pour ABS ou PVC (pour correspondre au tuyau)



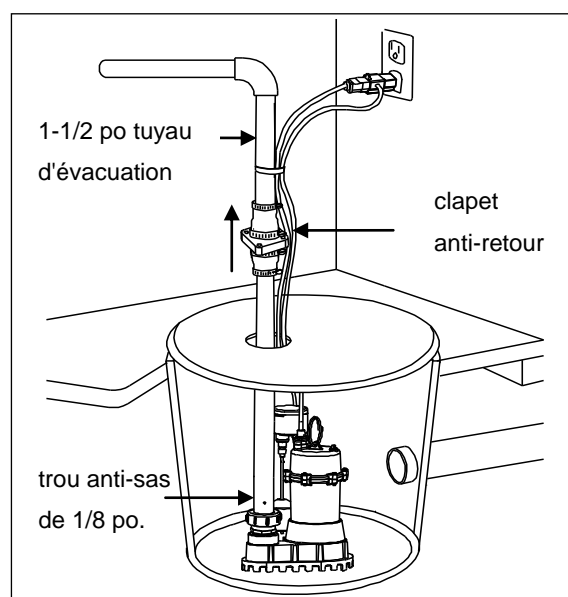
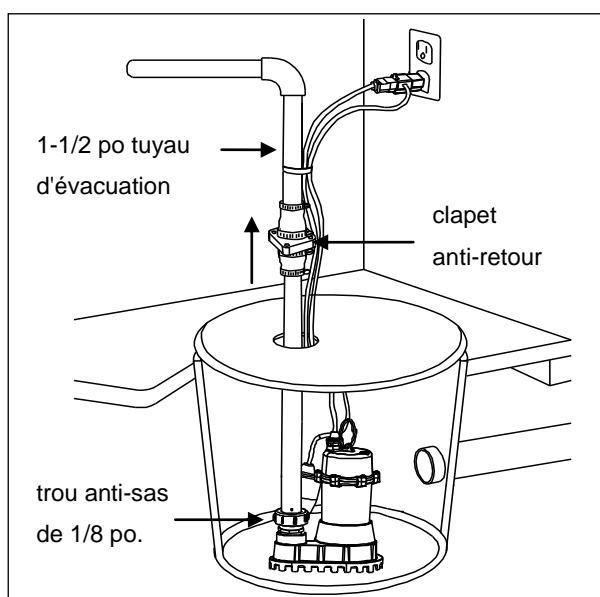
Coude à 90° de 1-1/2 po

## CARACTÉRISTIQUES

<b>Alimentation électrique</b>	Circuit de 115V, 60 HZ., 15 ampères
<b>Plage de températures du liquide</b>	De 32°F à 95° F (de 0° C à 35° C)
<b>Taille de l'entrée de la pompe</b>	Adaptateur de 1-1/2 po à 1-1/4 po (acheté séparément en cas d'utilisation d'un tuyau d'évacuation de 1-1/4 po)
<b>Puisard</b>	Min. 14 in. (356 mm) de diamètre, 18. (457 mm) de profondeur pour interrupteur captif Min. 10. (254 mm) de diamètre, 14 à. (356 mm) de profondeur pour l'interrupteur vertical

**NOTE:** S'assurer que le diamètre du tuyau de refoulement est d'au moins 3,2 cm. Si le refoulement est trop petit, il y aura surchauffement et panne prématurée de la pompe. Cette pompe est conçue pour être utilisée dans un puisard résidentiel. Ne pomper que de l'eau avec cette pompe.

## INSTALLATION



1. Dans le cas de modèles équipés d'un interrupteur vertical, installer la pompe dans un puisard ayant un diamètre minimum de 25,4 cm (10 pouces) et dans un puisard ayant un diamètre minimum de 35,6 cm (14 pouces) dans le cas des pompes équipées d'un interrupteur à flotteur à cordon. Le puisard doit avoir une profondeur minimum de

45,7 cm (18 po) dans le cas des modèles à cordon et de 33,0 cm (13 po) dans le cas des modèles à interrupteur à flotteur vertical. Le puisard peut être construit avec un tuyau en ciment, du béton, en acier ou du plastique. Consulter les codes municipaux pour connaître le matériau approuvé et pour procéder adéquatement à l'installation.

2. Installer la pompe dans le puisard de façon que le mécanisme actionnant l'interrupteur puisse avant le plus grand dégagement possible.
3. Il ne faut pas poser la pompe sur une surface en argile, en terre ou sablonneuse. Enlever les petites pierres et le gravier du puisard qui risqueraient de boucher la pompe. La crépine d'admission d'eau de la pompe doit toujours être dégagée.

**NOTE:** Ne pas utiliser de pâte à joint ordinaire pour tuyaux filetés sur les tuyaux en plastique car cette pâte attaque les plastiques.

4. Insérez un tuyau en plastique rigide dans le connecteur rapide. Serrez à la main l'écrou de moletage du connecteur rapide aussi serré que possible.

**ATTENTION:** Risque d'inondation. Peut causer le mauvais fonctionnement ou une panne prématurée de la pompe. Si l'on utilise un tuyau de refoulement souple, s'assurer que la pompe est bien immobilisée dans le puisard pour empêcher qu'elle se déplace. Si la pompe n'est pas bien immobilisée, elle risque de se déplacer, l'interrupteur risque de se coincer et d'empêcher la pompe de démarrer ou de s'arrêter.

5. Pour minimiser le bruit du moteur et les vibrations, un petit morceau de tuyau en caoutchouc (de 4,76cm [1-7/8 po] de dia. int., une durite de radiateur, par exemple) peut être posé sur la conduite de refoulement à l'aide de colliers, près de la pompe.
6. Poser le clapet antiretour en ligne ou un clapet antiretour logé dans la pompe pour empêcher l'eau de retomber dans la pompe lorsqu'elle est arrêtée.

**NOTE:** Si le clapet de non-retour ne comporte pas un trou de purge d'air pour empêcher les bouchons d'air dans la pompe, Percez un trou de 3,2 mm (1/8 ") dans le tuyau de décharge à environ 2,5 - 5,1 cm (1 "-2") au-dessus du connecteur rapide. Le trou doit être dans le puisard.

7. Courant électrique: La pompe est conçue pour fonctionner sur le courant électrique de 115 V, 60 Hz, et elle doit être branchée sur un circuit de dérivation individuel d'au moins 15 ampères.

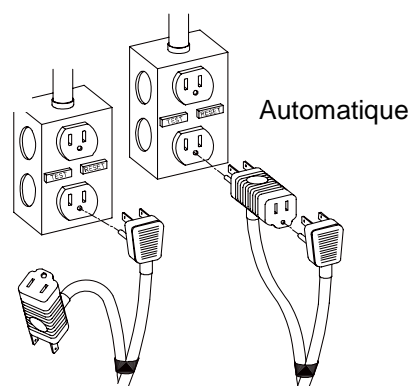
Branchez le cordon d'alimentation de la pompe dans la prise de sortie de commutation de ferroutage, puis branchez la fiche de l'interrupteur dans une prise de courant 115V DDFT pour un fonctionnement automatique. La pompe se met en marche si l'interrupteur à flotteur se déplace sur le dessus de la pompe. L'eau sera pompée. Lorsque l'eau se abaisse pour certain niveau, l'interrupteur flotteur arrête la pompe.

Ou branchez le cordon d'alimentation de la pompe dans une prise de courant 115V DDFT directement pour le fonctionnement manuel. Pompe démarrera immédiatement une fois qu'il brancher le DDFT et drainer l'eau, lorsque l'eau a déménagé, vous devez débrancher immédiatement la pompe.

L'image suivante montre une connexion classique pour les pompes Manuel avec la fiche ferroutage, pour les opérations manuelles et automatiques.

Automatique - Branchez flotteur cordon dans la prise DDFT, puis branchez le cordon dans la pompe flotteur cordon.

Manuel - Branchez la pompe cordon directement dans GFI sortie.



**AVERTISSEMENT:** Risque de secousses électriques. Pouvant causer des brûlures, voire la mort. La pompe doit toujours être raccordée à la terre, sur un tuyau d'eau mis à la terre, une canalisation métallique adéquatement mise à la terre ou un circuit électrique adéquatement mis à la terre, par exemple. Ne jamais couper la broche ronde de mise à la terre de la fiche.

8. Si la conduite de refoulement de la pompe est exposée aux températures de congélation extérieures, la partie exposée doit être installée de façon que l'eau restant dans le tuyau puisse se vidanger en retombant par gravité. Si

l'on ne respecte pas cette recommandation, l'eau emprisonnée dans la conduit de refoulement risque de geler et la pompe risqued'être endommagée.

- Après avoir installé la tuyauterie, le clapet antiretour et l'interrupteur à flotteur, la pompe est prête à fonctionner.
- Vérifier le fonctionnement de la pompe en remplissant le puisard d'eau, puis observer le fonctionnement de la pompe sur un cycle complet.

**AVERTISSEMENT:** Risque d'inondation. Peut causer le mauvais fonctionnement ou une panne prématurée de la pompe. Ne pas procéder à cette vérification de fonctionnement risque de causer un mauvais fonctionnement, une panne prématurée, voire une inondation.

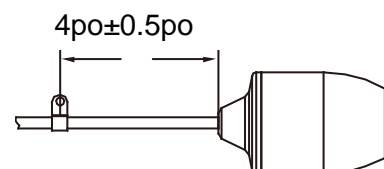
## OPÉRATION

**AVERTISSEMENT:** Risque de secousses électriques. Pouvant causer des brûlures, voire la mort. Ne pas toucher à la pompe ni au moteur de la pompe lorsqu'on a les mains humides ou lorsqu'on se tient debout sur une surface mouillée, humide ou dans l'eau

- Le joint de l'arbre dépend de l'eau pour son graissage. Ne pas utiliser la pompe si elle n'est pas immergée dans l'eau, sinon son joint sera endommagé si la pompe fonctionne à sec.
- Le moteur est équipé d'un protecteur thermique à réarmement automatique. Si la température devait s'élever anormalement, le disjoncteur interrompra automatiquement l'arrivée de courant avant que le moteur soit endommagé. Lorsque le moteur aura suffisamment refroidi, le disjoncteur se réarmera automatiquement et le moteur redémarrera. Si le protecteur se déclenche constamment, sortir la pompe du puisard et en déterminer la cause. Une basse tension, des cordons prolongateurs trop longs, un impulseur bouché, une hauteur de refoulement très basse ou un tuyau de refoulement bouché ou gelé, etc. risquent de causer un fonctionnement intermittent.
- La pompe n'aspirera pas toute l'eau. Si on fait fonctionner la pompe manuellement, et que brusquement l'eau ne coule plus par son tuyau de refoulement, arrêter immédiatement la pompe.. Le niveau d'eau est très faible et probablement le premier appareil a cassé

**AVERTISSEMENT:** Risque de secousses électriques. Pouvant causer des brûlures, voire la mort. Avant de vérifier pourquoi cette pompe a cessé de fonctionner, interrompre le courant parvenant à la pompe.

**MISE EN GARDE:** Ne modifiez pas la longueur attache prédéfini.



## ENTRETIEN

**MISE EN GARDE:** Toujours utiliser la poignée pour soulever la pompe. Ne jamais utiliser le cordon d'alimentation pour la soulever. Pour éviter les brûlures de la peau, débrancher la pompe et la laisser refroidir après une longue période d'utilisation.

### À faire

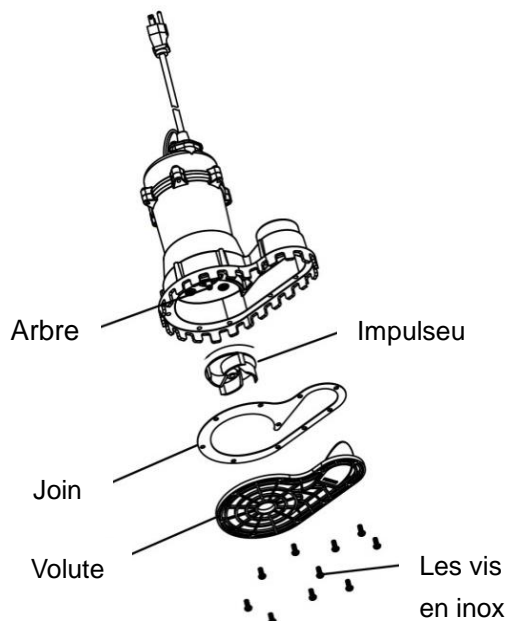
- Lorsque le courant est coupé, vérifier la grille d'aspiration de la pompe et débarasser tous les débris. Rebrancher la pompe dans une prise équipée d'un disjoncteur avec fuite à la terre. (DDFT)

### À ne pas faire

- Ne pas démonter le boîtier du moteur. Les pièces internes du moteur ne sont pas réparables. Le démontage peut entraîner des fuites ou des problèmes dangereux relatifs aux raccordements électriques.
- Ne pas utiliser le cordon d'alimentation pour soulever la pompe.

## Pour nettoyer une pompe obstruée par des débris:

- Débrancher la pompe de la source électrique.
- Dévisser les vis en inox, retirer la volute & joint.
- Utiliser un tournevis à tête plate pour tenir l'arbre, et tourner l'impulseur montre afin de le dégager.
- Retirer les débris autour de l'arbre et sur / sous l'impulseur.
- Assembler la pompe de nouveau.



## DIAGNOSTIC DES PANNES

Problèmes	Cause possibles	Mesures correctives à prendre
La pompe ne démarre pas et ne fonctionne pas.	<ol style="list-style-type: none"> <li>1. Le fusible est brûlé.</li> <li>2. Le disjoncteur a sauté.</li> <li>3. Le disjoncteur a sauté.</li> <li>4. La fiche à 3 broches du cordon d'alimentation est corrodée.</li> <li>5. Il y a une surcharge thermique.</li> <li>6. L'interrupteur à flotteur vertical est défectueux.</li> <li>7. Le moteur est défectueux.</li> </ol>	<ol style="list-style-type: none"> <li>1. Remplacer le fusible.</li> <li>2. Réenclencher le disjoncteur.</li> <li>3. Rebrancher le cordon d'alimentation.</li> <li>4. Nettoyer les broches de la fiche du cordon d'alimentation.</li> <li>5. Débrancher la pompe pendant 30 minutes et rebrancher.</li> <li>6. Remplacer l'interrupteur à flotteur vertical.</li> <li>7. Remplacer la pompe.</li> </ol>
La pompe fonctionne, mais ne pompe que peu ou pas d'eau.	<ol style="list-style-type: none"> <li>1. La grille d'aspiration de la pompe est obstruée.</li> <li>2. Il y a des débris dans l'impulseur ou dans l'entrée de la pompe.</li> <li>3. L'impulseur est détaché de l'arbre de la pompe ou l'impulseur est brisé.</li> </ol>	<ol style="list-style-type: none"> <li>1. Nettoyer la grille.</li> <li>2. Retirer les débris.</li> <li>3. Assembler de nouveau l'impulseur ou remplacer l'impulseur.</li> </ol>
La pompe démarre et s'arrête trop souvent.	<ol style="list-style-type: none"> <li>1. Il y a un refoulement d'eau dans le conduit ou il y a une fuite dans le clapet de non-retour.</li> <li>2. L'interrupteur à flotteur vertical est coincé.</li> </ol>	<ol style="list-style-type: none"> <li>1. Poser un clapet de non-retour ou remplacer le clapet de non-retour.</li> <li>2. Nettoyer la tige de l'interrupteur à flotteur vertical pour permettre au flotteur de monter et de descendre librement.</li> </ol>
La pompe ne s'arrête pas.	<ol style="list-style-type: none"> <li>1. Le flotteur de l'interrupteur à flotteur vertical ne se déplace pas librement.</li> <li>2. L'interrupteur à flotteur vertical est défectueux.</li> <li>3. Le flotteur de l'interrupteur à flotteur vertical est obstrué.</li> </ol>	<ol style="list-style-type: none"> <li>1. Repositionner la pompe de manière à ce que l'interrupteur à flotteur se déplace librement.</li> <li>2. Remplacer l'interrupteur à flotteur.</li> <li>3. Retirer l'obstruction.</li> </ol>

## Garantie Limitée

### CE QUE CETTE GARANTIE COUVRE

Lorsqu'il est utilisé et maintenu en utilisation normale et en conformité avec le manuel du propriétaire, votre produit K2 est garanti contre les défauts de matériaux et de fabrication pendant au moins un an (la garantie varie selon le modèle; voir encadré des informations précises sur la garantie) à partir de la date d'achat (la «Période de garantie»). Pendant la période de garantie, K2 réparera ou remplacera gratuitement votre produit, pour corriger tout défaut de produit, défaut de matériaux ou de fabrication, constaté après examen par K2.

**Votre reçu d'achat daté est requis pour faire une réclamation au titre de la garantie.**

### CE QUE CETTE GARANTIE NE COUVRE PAS

Cette garantie ne couvre pas:

L'utilisation du produit pour une application non-résidentielle, une mauvaise installation et / ou entretien du produit, les dommages dûs à une mauvaise utilisation, les actes de Dieu, les dégâts imputés à la nature ou d'autres actes qui échappent au contrôle d' K2, les actes ou omissions du propriétaire, l'utilisation à l'extérieur du pays où le produit a été initialement acheté et la revente du produit par le propriétaire initial. Cette garantie ne couvre pas la collecte, la livraison, le transport ou les déplacements chez les particuliers. Toutefois, si vous envoyez votre produit à un centre de service après-vente et des garanties K2, le coût de l'expédition (aller simple) sera remboursé. Cette garantie ne couvre pas les produits achetés en dehors des États-Unis, y compris ses territoires et possessions, en dehors des États-Unis la bourse d'échange militaire et à l'extérieur du Canada. Cette garantie ne couvre pas les produits achetés chez un tiers qui n'est pas détaillant, revendeur ou distributeur agréé des produits K2.

### AUTRES TERMES IMPORTANTS

Cette garantie est non transférable et ne peut être cédée. Cette garantie doit être régie et interprétée en vertu des lois de l'État du Michigan. La période de garantie ne sera pas prolongée par un remplacement ou une réparation effectuée(e) en vertu de cette garantie. CETTE GARANTIE EST LA GARANTIE EXCLUSIVE ET LE RECOURS FOURNIS PAR K2. TOUTE AUTRE GARANTIE, EXPLICITE OU IMPLICITE, Y COMPRIS LES GARANTIES DE COMMERCIALISATION OU D'ADAPTATION À UN USAGE PARTICULIER, SONT EXCLUES. EN AUCUN CAS K2 NE SERA RESPONSABLE DES DOMMAGES PARTICULIERS, INDIRECTS, ACCESSOIRES OU INDIRECTS DE QUELQUE NATURE QUE CE SOIT AU PROPRIÉTAIRE OU TOUTE PARTIE DEMANDERESSE PAR L'INTERMÉDIAIRE DU PROPRIÉTAIRE RELATIF À UN CONTRAT, UNE NÉGLIGENCE, UNE ACTION DELICTUELLE, OU UNE STRICT RESPONSABILITE VIS-À-VIS DU PRODUIT, OU PROVENANT DE TOUTE AUTRE CAUSE. Certains états ne permettent pas l'exclusion des dommages indirects et conséquemment l'exclusion ci-dessus peut ne pas vous concerner. Cette garantie vous donne des droits spécifiques. Vous pouvez également en avoir d'autres qui varient d'un état à l'autre.

**Merci d'avoir choisi un produit K2!**

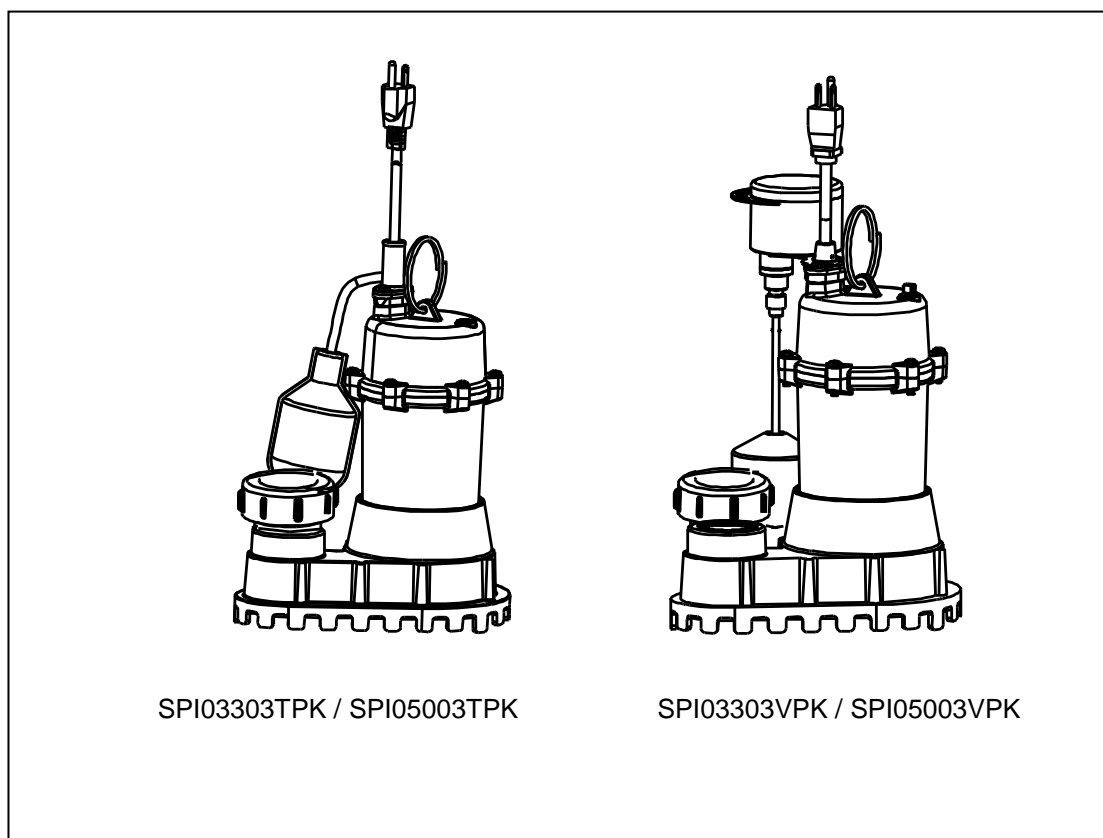




Modelo: SPI03303TPK/ SPI03303VPK  
SPI05003TPK/ SPI05003VPK

# MANUAL DEL USUARIO

## BOMBA DE SUMIDERO SUMERGIBLE



¿Preguntas, problemas, piezas que faltan? Antes de devolverla a la tienda, llame a Servicio al Cliente de 8:00 AM a 6:00 pm EST de Lunes a Viernes.

**1-844-242-2475**

[www.K2pumps.com](http://www.K2pumps.com)

# RENDIMIENTO

Modelo	HP	GPH (Galones por hora) de Agua @ Pies (Metros) de Altura						Máx. Levante
		0 pi.	5 pi.	10 pi.	15 pi.	20 pi.	25 pi.	
SPI03303TPK/ SPI03303VPK	1/3	3800	3400	3000	2500	1800	0	25 pi.
SPI05003TPK/ SPI05003VPK	1/2	4300	3900	3500	3100	2500	1700	30 pi.

# INSTRUCCIONES DE SEGURIDAD

1. No bombee líquidos inflamables o explosivos como aceite, gasolina, queroseno, etc. No lo use cerca o en presencia de vapores inflamables o explosivos. El uso de este producto cerca o con líquidos inflamables puede causar una explosión o un incendio causando daños a su propiedad, lesiones personales, y/o muerte.
2. SIEMPRE desconecte la bomba antes de hacerle mantenimiento.
3. No toque el motor mientras esté funcionando. Este producto está diseñado para funcionar a altas temperaturas. No desmonte motor ni el protector del motor.
4. No use la bomba o el motor de la bomba con las manos mojadas, o cuando esté de pie sobre la superficie mojada o húmeda, o en agua.
5. Descargue toda presión y desagüe toda el agua del sistema antes del mantenimiento de cualquier componente.
6. Asegure el cable de descarga antes de empezar hacer funcionar la bomba. Un cable suelto o no asegurado puede arrebatare causando daños personales o daños a la propiedad.
7. Los cables de extensión no ofrecen suficiente voltaje al motor de la bomba. Los cables de extensión pueden presentar un peligro para la seguridad si el material de aislamiento se daña o si las puntas de conexión caen el agua. El uso de un cable extensión no está con esta bomba NO está permitida.
8. Use gafas de seguridad en todo momento que use la bomba.
9. Esta unidad está diseñada de un uso de 115 voltios (una sola fase), 60 Hz, y está equipada con un cable de 3 conductores y un enchufe de conexión de tierra (3 clavijas). **NO QUITE EL ALFILER BAJO NINGUNA CIRCUNSTANCIA.** El enchufe de conexión de tierra tiene que estar directamente y correctamente instalado en un receptáculo de conexión de tierra (3 clavijas). No use esta bomba en un receptáculo de 2 clavijas. Reemplacé el receptáculo de 2 clavijas con un receptáculo apropiado de 3 clavijas con conexión a tierra (GFCI) de acuerdo al Código Eléctrico Nacional y las ordenanzas locales. Todas las conexiones deben ser hechas por un electricista profesional.
10. Proteja el cable eléctrico de objetos afilados, superficies calientes, aceite, y químicos. Evite enroscar los cables. No use cables dañados o desgastados.
11. El no cumplir con las instrucciones de la operación de esta unidad puede anular la garantía. **EL INTENTO DE USAR UNA BOMBA DAÑADA** puede resultar en daños a la propiedad, serios daños personales y/o muerte.
12. Asegúrese de que el circuito eléctrico a la bomba este protegido por un fusible de 15 amperios o un cortacircuitos.
13. No levante la bomba por el cable eléctrico.
14. Conozca de la bomba las aplicaciones, las limitaciones y los peligros potenciales.
15. Asegúrese de que la bomba esté en una base sólida para mantenerla vertical por encima de barro y tierra durante el funcionamiento para maximizar la eficiencia de la bomba y prevenir que se tape o una falla prematura.
16. Periódicamente inspeccione la bomba y los componentes del sistema para asegurar que las entradas estén libres de barro, arena y mugre. **DESCONECTE DEL ENCHUFE LA BOMBA ANTES DE INSPECCIONARLA.**
17. Siga sus códigos de seguridad eléctrica local, especialmente los del Código Eléctrico Nacional (NEC) y en el lugar de trabajo. El Acta de Seguridad y Salud Ocupacional. (OSHA).

18. El motor de la bomba tiene un protector térmico automático de reajuste que se apaga si la bomba se recalienta. Una vez que el protector térmico detecte que la bomba ha bajado de temperatura permitirá que la bomba funcione normalmente. Si la bomba está conectada puede empezar a funcionar inesperadamente.
19. Asegure que la fuente de electricidad es adecuada para los requisitos que exige la bomba.
20. Esta bomba está hecha de materiales de alta fuerza y resistentes a la corrosión. Cuando ha sido correctamente instalada no tendrá problemas de mantenimiento o de uso por mucho tiempo. Sin embargo, una conexión inadecuada de la bomba mugre o suciedad puede causar que la bomba falle. Lea cuidadosamente las instrucciones y sígalas con respecto a problemas y soluciones más comunes de la bomba.

## PRE-INSTALACIÓN

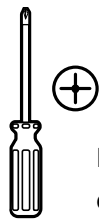
### APLICACIÓN

- ❑ Esta bomba de sumidero sumergible está diseñada para aplicaciones de sumidero de hogar. Únicamente bombee agua con esta bomba.
- ❑ Este aparato no esta disenado como bomba de cascada o fuente, ni para aplicaciones con agua salada o de mar. El uso con cascadas, fuentes, agua salada o de mar anulara la garantia.
- ❑ No usar en donde hay recirculacion de agua.
- ❑ No ha sido disenado para usar como desaguador de piscinas de natacion.

### HERRAMIENTAS REQUERIDAS



Destornillador de Punta Plana



Destornillador de Phillips



Pinzas de Llave



Llave de Tubo



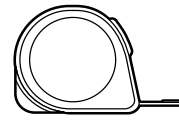
Sierra para Metales



Bridas de Plástico



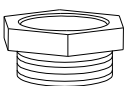
Gafas de Seguridad



Cinta Métrica

### MATERIALES NECESARIOS (NO INCLUIDOS)

**NOTA:** Manguera y equipo de manguera no están mostrados a escala.



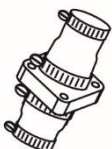
Adaptador de 1-1/2 pulg a 1-1/4 pulg (si utiliza una tubería de descarga de 1-1/4 pulg)



Tubería de ABS o PVC de 1-1/2 pulg



Cinta Sellante



Válvula de Retención de 1-1/2 pulg



Cemento de ABS o PVC (Que concuerde con la tubería)



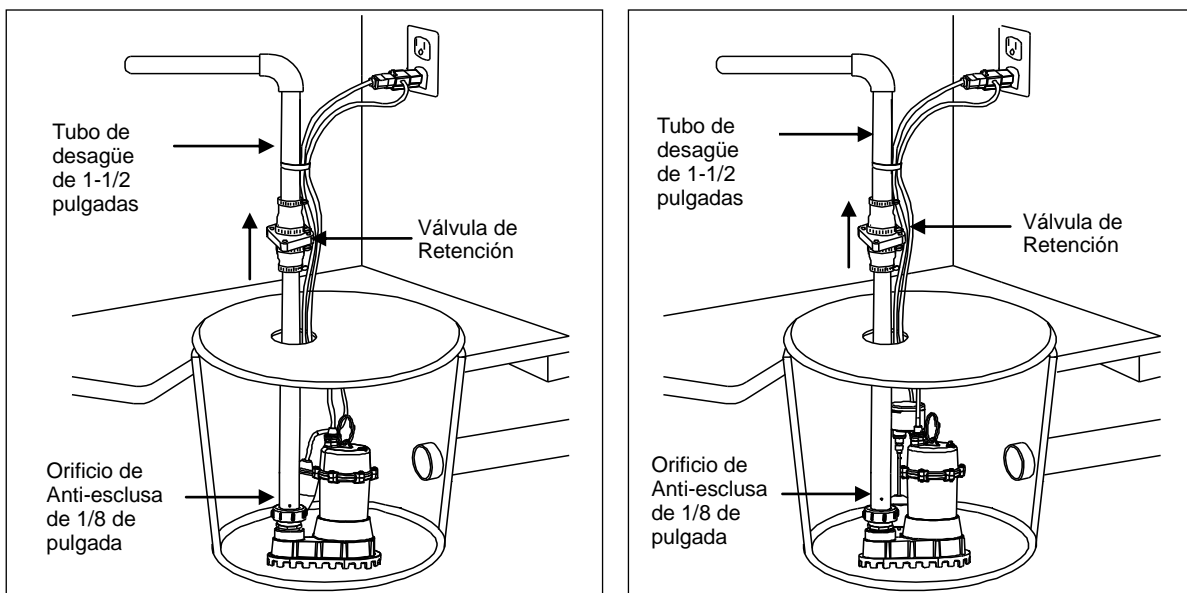
Tubo de Codo de 90° de 1-1/2 pulg

## ESPECIFICACIONES

<b>Fuente de Alimentación</b>	115V, 60 HZ., Circuito de 15 Amperios
<b>Alcance de Temperatura de Líquidos</b>	0 a 35°F (32° a 95°C)
<b>Tamaño del Desagüe</b>	Adaptador de 1-1/2" a 1-1/4" (se compra por separado si utiliza una tubería de descarga de 1-1/4")
<b>Deposito del Pozo</b>	Min. (457 mm) de profundidad para el interruptor tethered 14 pulgadas (356 mm) de diámetro, 18 en. Min. (356 mm) de profundidad para el interruptor vertical de 10 pulgadas. (254 mm) de diámetro, 14 en.

**NOTA:** No reduzca el tamaño de la tubería o de la manguera de descarga a un diámetro menor de 1¼". Si la descarga es demasiado pequeña, la bomba se recalentará y fallará prematuramente.

## INSTALACIÓN



1. Instale la bomba en un foso de recogida con un diámetro mínimo de 10" (254 mm.) para los modelos con interruptores verticales y de 14" (356 mm.) para los modelos con interruptor de flotador anclado. La profundidad del sumidero debe ser de 18" (457 mm.) para los modelos anclados y de 14" (356 mm.) para los modelos con interruptores verticales. Construya el foso de recogida de losetas, hormigón, acero o plástico. Confirme los materiales aprobados y la instalación adecuada requeridos por las normas locales.
2. Instale la bomba en el pozo de manera que el mecanismo de operación del interruptor tenga el mayor juego posible.
3. La bomba no debe ser instalada en arcilla, tierra o superficies arenosas. Saque las piedritas y arenillas que puedan haber en el pozo del sumidero pues pueden obstruir la bomba. Mantenga limpio el filtro de admisión de la bomba.

**NOTA:** No use obturador de juntas de tubería en las tuberías de plástico. El obturador de juntas de tubería puede dañar el plástico.

4. Inserte la tubería de plástico rígido en el conector rápido. Ajuste manualmente la tuerca estriada del conector rápido lo más apretado posible.

**ADVERTENCIA:** Risque d'inondation. Peut causer le mauvais fonctionnement ou une panne prematuree de la pompe.

Si se usa una manguera de descarga flexible, asegúrese de que la bomba este bien inmobilizada para que no pueda moverse dentro del sumidero. Si la bomba no estabien firme puede moverse y causar interferencia con el interruptor e impedir que la bomba se ponga en marcha o se detenga.

- Para reducir el ruido y las vibraciones del motor, se puede conectar un pedazo corto de manguera de goma de un diametro exterior de 47,6 mm (1 7/8"), (por ej. manguera de radiador) a la tubería de descarga cerca de la bomba, utilizando abrazaderas convenientes.
- Instale una valvula de retencion en la linea o una valvula de retencion dentro de la bomba para evitar que el flujo retroceda a traves de la bomba cuando la bomba esta apagada.

**NOTA:** Si su valvula de retencion no viene equipada con un orificio de purga de aire para impedir la creacion de bolsas de aire en la bomba, Perfore un orificio de 1/8" (3,2 mm) en una tubería de descarga de aproximadamente 1"-2" (2,5-5,1 cm) sobre el conector rápido.

- Fuente de Alimentacion: La bomba esta disenada para funcionar con corriente de 115 V., 60 Hz. y requiere un ramal individual minimo de 15 amps.

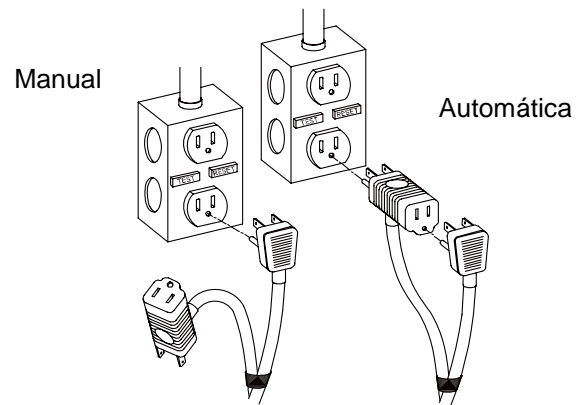
Enchufe el cable de conexión en la toma de corriente del flotador anclado a cuestras y después enchufe al interruptor de 115 voltios con un circuito de falla a tierra GFCI (por sus siglas en inglés) para operación automática. La bomba comenzara a operar si el interruptor de flotación se mueve a la parte superior de la bomba. El agua será bombeada. Cuando el agua baje hasta cierto nivel, el interruptor de flotación apagará la bomba.

O enchufe el cordón de conexión al interruptor de 115 voltios con un circuito de falla a tierra GFCI (por sus siglas en inglés) para operación manual. La bomba comenzara a operar inmediatamente una vez que sea enchufada al circuito de falla a tierra y drenara el agua. Cuando el agua haya sido removida, desenchufe la bomba inmediatamente.

La siguiente fotografía muestra una conexión típica para bombas con el flotador anclado a cuestras de operación manual y automática.

Automática – Enchufe el cable de flotador en la salida del circuito de falla a tierra. Después enchufe el cordón en el cable de flotación.

Manual – Enchufe el cordón de la bomba directamente en la salida del circuito de falla a tierra.



**ADVERTENCIA:** *Risque de secousses électriques. Pouvant causer des brulures, voire la mort. La bomba siempre debe ser puesta a tierra en una tierra electrica adecuada tales como una tubería en el agua que este puesta a tierra o un conducto metalico debidamente puesto a tierra o un sistema de alambre de puesta a tierra. No corte la clavija redonda de puesta a tierra.*

- Si la tubería de descarga de la bomba esta expuesta a temperaturas exteriores inferiores al punto de congelacion, la porcion expuesta de la tubería debe ser instalada de manera que toda agua que quede en la tubería se drene por gravedad hacia la descarga. El incumplimiento de esto puede causar que el agua atrapada en la tubería de descarga se congele, lo cual podria resultar en dano para la bomba.
- Despues de haber instalado la tubería, la valvula de retencion, la unidad esta lista para funcionar.
- Verifique el funcionamiento de la bomba llenando el sumidero con agua y observando el funcionamiento de la bomba por un ciclo completo.

**CAUTELA:** *Risque d'inondation. Peut causer le mauvais fonctionnement ou une panne prematuree de la pompe. El incumplimiento de esta verificacion del funcionamiento puede resultar en funcionamiento impropio, falla prematura e inundacion.*

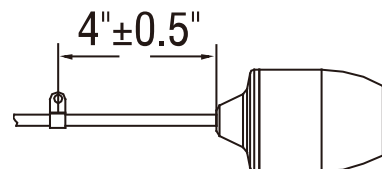
## FUNCIONAMIENTO

**ADVERTENCIA:** *Risque de secousses électriques. Pouvant causer des brulures, voire la mort. No manipule la bomba o el motor de la bomba con las manos mojadas o cuando este parado en suelo humedo, mojado o en el agua.*

1. La junta del eje depende del agua para su lubricacion. No haga funcionar la bomba a menos que este sumergida en agua ya que la junta puede danarse si se hace trabajar en seco.
2. El motor esta equipado con un protector contra sobrecargas termicas de reposicion automatica. Si la temperatura en el motor se elevara indebidamente, el interruptor puede cortar toda la energia antes de que se produzca dano al motor. Cuando el motor se ha enfriado suficientemente, el interruptor se reposicionara automaticamente y el motor volvera a ponerse en marcha. Si el protector se desengancha en forma continua, la bomba debe ser sacada y revisada para verificar cual es el problema. Baja tension, cables de alargue largos, impulsor atascado, muy baja altura de aspiracion o elevacion o una tuberia de descarga tapada o congelada, etc. pueden hacer que se pase por el ciclo.
3. La bomba no sacatoda el agua. La bomba no aspirara toda el agua. Si se esta operando la bomba en forma manual y de repente no sale agua de la manguera de descarga, apague la unidad inmediatamente. Probablemente el nivel del agua es muy bajo y la unidad ha dejado de cebar.

**ADVERTENCIA:** *Risque de secousses électriques. Pouvant causer des brulures, voire la mort. Antes de intentar revisar porque la bomba ha dejado de funcionar, desconecte la energia electrica..*

**CAUTELA:** *No cambiar el largo de la traba preestablecido.*



## CUIDADO Y LIMPIEZA

**CAUTELA:** *Siempre use la manilla para levantar la bomba. Nunca use el cordón o el cable eléctrico para levantar la bomba. Para evitar quemaduras, desconecte la bomba y permita un tiempo para que la bomba se enfríe después de un largo tiempo de uso.*

### Usted Debe Hacer lo Siguiete

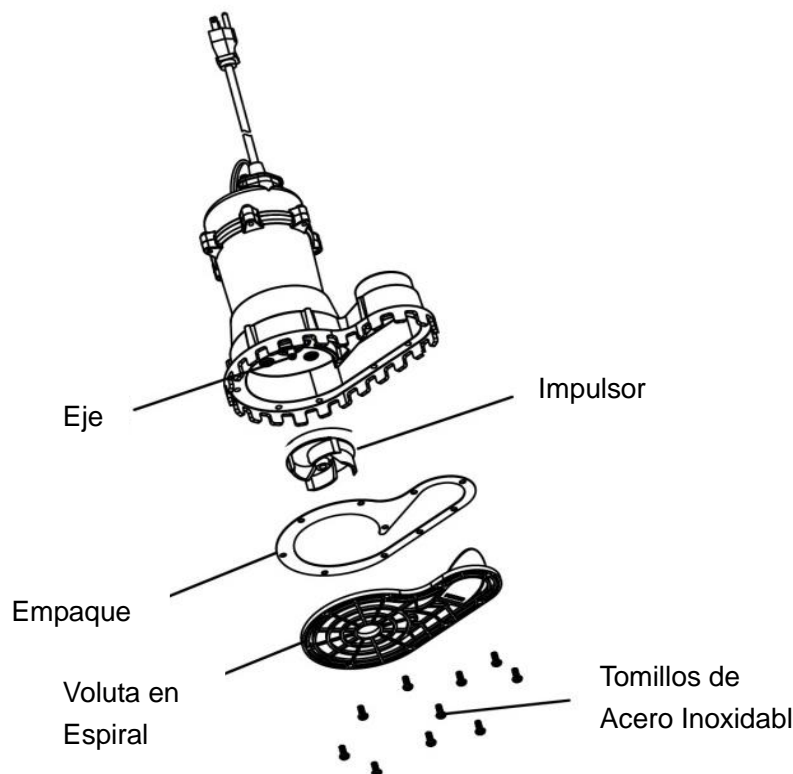
- Cuando el cable esta desconectado, inspeccione la bomba y remueva todo la mugre, en seguida conecte la bomba de nuevo a la toma con conexión a tierra (GFCI).

### Usted NO Debe Hacer lo Siguiete

- Desarme el motor. Este motor NO tiene piezas internas reparables y el desarmarla puede causar fuga o problemas eléctricos peligrosos.
- Levantar la bomba por el cable.

## Como limpiar una bomba bloqueada por deshechos:

- Desconecte la bomba de la energía eléctrica.
- Aflojar los tornillos de acero inoxidable, y retire la volute & gásquet.
- Utilice un destornillador plano para sujetar el eje, gire el impulsor hacia la izquierda para liberar el impulsor.
- Retire los residuos de todo el eje y sobre / debajo del impulsor.
- Volver a montar la bomba.



## RESOLUCIÓN DE PROBLEMAS

Problema	Causa Posible	Acción Correctiva
La bomba no prende o no funciona	<ol style="list-style-type: none"> <li>1. Fusible fundido</li> <li>2. Salto de interruptor</li> <li>3. Enchufe no conectado</li> <li>4. Enchufe oxidado</li> <li>5. Motor recalentado</li> <li>6. Falla con el interruptor de flotador</li> <li>7. Motor falló</li> </ol>	<ol style="list-style-type: none"> <li>1. Reemplace fusible</li> <li>2. Reajuste el interruptor</li> <li>3. Asegure el enchufe</li> <li>4. Limpie las puntas del enchufe</li> <li>5. Desenchufe la bomba por 30 minutos, luego vuelva a enchufar la bomba. Reemplace switch.</li> <li>6. Reemplace la bomba.</li> <li>7. Vuelva a colocar la bomba.</li> </ol>
La bomba prende pero bombea poca agua o no bombea agua en lo más mínimo	<ol style="list-style-type: none"> <li>1. Pantalla bloqueada</li> <li>2. Desechos atrapados en el tubo de descarga o en el impulsor.</li> <li>3. El impulsor se encuentra flojo en el eje. El impulsor está roto.</li> </ol>	<ol style="list-style-type: none"> <li>1. Limpie la pantalla.</li> <li>2. Quite los desechos.</li> <li>3. Arme el impulsor de nuevo.</li> </ol>
La bomba empieza y se apaga muy a menudo	<ol style="list-style-type: none"> <li>1. El retroflujo de agua en el tubo de descarga o la válvula gotea.</li> <li>2. El interruptor flotante está bloqueado.</li> </ol>	<ol style="list-style-type: none"> <li>1. Instale una válvula de chequeo o reemplace la válvula de chequeo.</li> <li>2. Limpie la del interruptor flotante y asegure que el flotador puede mover hacia arriba y hacia abajo.</li> </ol>
La bomba no apaga.	<ol style="list-style-type: none"> <li>1. El interruptor está enredado</li> <li>2. El interruptor de flotador está flojo.</li> <li>3. El flotador está obstruido.</li> </ol>	<ol style="list-style-type: none"> <li>1. Recoloque la bomba y asegure que nada esté enredado.</li> <li>2. Reemplace el interruptor</li> <li>3. Quite cualquier obstrucción</li> </ol>

# GARANTÍA

## Garantía Limitada

### LO QUE CUBRE ESTA GARANTÍA

Cuando se usa y se mantiene de forma normal y de acuerdo con el manual del propietario, su producto K2 está garantizado contra defectos de materiales y de mano de obra durante al menos un año (la garantía varía según el modelo; revise la caja para obtener información específica sobre la garantía) a partir de la fecha de comprar (el "Período de Garantía"). Durante el Período de Garantía, K2 reparará o reemplazará sin costo alguno para usted, para corregir cualquier defecto de materiales o de mano de obra encontrado en los productos al ser examinados por K2.

**Se requiere el recibo de compra fechado para hacer un reclamo de garantía.**

### LO QUE NO CUBRE ESTA GARANTÍA

Esta garantía no cubre:

El uso del producto en un ambiente no residencial, instalación incorrecta y/o mantenimiento incorrecto del producto, daño a causa del uso indebido, actos sobrenaturales, actos de la naturaleza, vandalismo u otros actos fuera del control de K2, acciones u omisiones del propietario, el uso fuera del país en el que el producto fue comprado inicialmente y la reventa del producto por el propietario inicial. Esta garantía no cubre el recogido, el envío, la transportación o las reparaciones en casa. Sin embargo, si usted manda su producto por correo al departamento de ventas y servicios de K2 para servicios que cubre la garantía, el costo del envío será pagado únicamente de ida. Esta garantía no se aplica a productos comprados fuera de los Estados Unidos, incluyendo sus territorios y posesiones, fuera del Intercambio Militar de los Estados Unidos y fuera de Canadá. Esta garantía no cubre productos comprados por distribuidor, comerciante o concesionario no autorizado por K2.

### OTROS TÉRMINOS IMPORTANTES

Esta garantía no es transferible ni podrá ser asignada. Esta garantía será gobernada e interpretada bajo las leyes del estado de Michigan. El Período de Garantía no será extendido por ningún reemplazo ni reparación realizado bajo esta garantía. **ESTA GARANTÍA ES LA GARANTÍA Y RECURSO PROVISTO POR K2. TODAS LAS DEMÁS GARANTÍAS, EXPLÍCITAS O IMPLÍCITAS, INCLUYENDO GARANTÍAS O COMERCIABILIDAD O QUE SEA ACOPLADA PARA ALGÚN PROPOSITO EN PARTICULAR, SON DENEGADAS. EN NINGÚN CASO K2 SERÁ RESPONSABLE POR CUALQUIER DAÑO ESPECIAL, INDIRECTO, INCIDENTAL O CONSECUENTE DE CUALQUIER TIPO O ÍNDOLE AL PROPIETARIO O CUALQUIER INDIVIDUO HACIENDO LA RECLAMACION POR EL PROPIETARIO YA SEA BASADO EN CONTRATO, NEGLIGENCIA, AGRAVIO O ESTRICTA RESPONSABILIDAD DEL PRODUCTO O QUE SE DERIVE DE ALGUN OTRO TIPO DE CAUSA.** Algunos estados no permiten la exclusión de daños consecuentes. Así que la exclusión antes mencionada podría no ser aplicable a usted. Esta garantía le ofrece derechos **específicos**. Usted también podría tener otros que varíen de estado a estado.

**¡Gracias por elegir un producto K2!**