

Cast Iron Convertible Jet Pumps

WPD05001K	1/2 HP	10 GPM
WPD07501K	3/4 HP	20 GPM
WPD10001K	1 HP	24 GPM



- Rugged cast iron construction
- Shallow well application for water at depths up to 25' deep
- Deep well application
WPD05001K - water at depths up to 70' deep
WPD07501K - water at depths up to 90' deep
WPD10001K - water at depths up to 110' deep
- Heavy-duty, dual-voltage 115/230V motor, pre-set at 230V
- Self-priming after pump housing is initially filled
- Ejector kits and pressure regulator included
- Prewired Pressure Switch: preset for 30/50 PSI operation

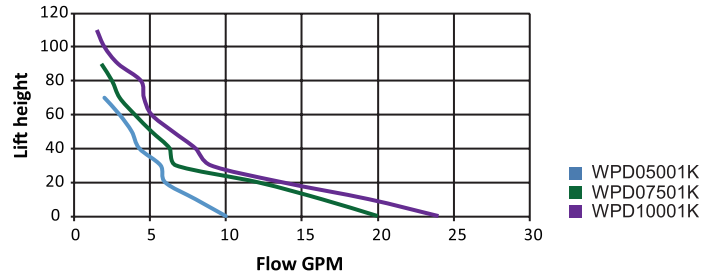


Performance (GPM) at 40 PSI Discharge Pressure

Model No.	HP	Depth to Water												Max pressure shutoff	Voltage	Pressure switch	
		0'	10'	20'	30'	40'	50'	60'	70'	80'	90'	100'	110'			ON	OFF
WPD05001K	1/2	10	8	6	5.7	4.3	3.8	3	2	/	/	/	/	70 PSI	230/115	30	50
WPD07501K	3/4	20	16.3	12.1	6.7	6.3	5.1	4	3	2.5	1.8	/	/	70 PSI	230/115	30	50
WPD10001K	1	24	19.4	13.7	9	8	6.5	5.1	4.6	4.4	2.9	2	1.5	70 PSI	230/115	30	50

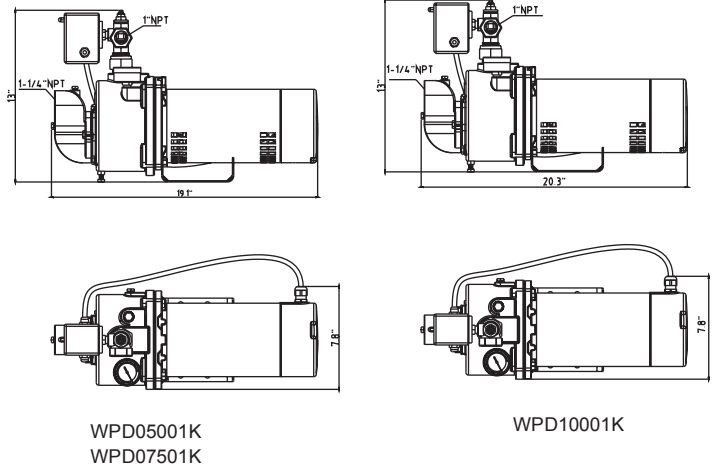
Application	
Convertible Jet pumps For Household Water Applications	
Voltage	115/230V
Hertz	60Hz
Phase	Single
RPM	3450RPM
Motor type	CSIR motor
Insulation	Class B
Circuit requirements	20/10 AMP
Duty rating	Continuous*
Shaft seal	Mechanical seal
Motor Shaft	Stainless steel
Upper motor bearing	Ball bearing
Lower motor bearing	Ball bearing
Cooling	Fan cooled
Motor protection	Auto reset thermal overload protector
Pump Specifications	
Discharge size	1" NPT
Pump Housing	Cast iron
Pump Base	Cast iron
Impeller material	Thermoplastic
Gasket	Rubber
Solids handling	0" spherical
Liquid temp.range	32°-104°F
Operation	Automatic
Fasteners	Cast iron
Automatic Switch Specifications	
Type	Pressure Switch
Switch on point	30psi
Switch off point	50psi
Material	Reinforced thermoplastic

Performance



Performance at 40 PSI Discharge Pressure															
Model	HP	Amps	Lift height	0	10	20	30	40	50	60	70	80	90	100	110
WP-D05001K	1/2	12.4 / 6.2A	GPM	10	8	6	5.7	4.3	3.8	3	2	/	/	/	/
			GPH	600	480	360	342	258	228	180	120	/	/	/	/
WP-D07501K	3/4	15.8 / 7.9A	GPM	20	16.3	12.1	6.7	6.3	5.1	4	3	2.5	1.8	/	/
			GPH	1200	978	726	402	378	306	240	180	150	108	/	/
WP-D10001K	1	17.6 / 8.8A	GPM	24	19.4	13.7	9	8	6.5	5.1	4.6	4.4	2.9	2	1.5
			GPH	1440	1164	822	540	480	390	306	276	264	174	120	90

Dimensions



WPD05001K
WPD07501K

WPD10001K