

Quick-Connect Fittings

AQC150K | **1-1/2" NPT**

Fits most Sump and Effluent pumps

AQC200K | **2" NPT**

Fits most Sewage pumps



- Easily connects PVC pipe to the discharge outlet of sump, effluent or sewage pumps
- Quick-Connect Fitting features a metal ring with teeth that firmly grip PVC pipes
- Eliminates the need for messy PVC primer, glue, adapter or inconvenient plumber's tape



Installation in 3 Easy Steps



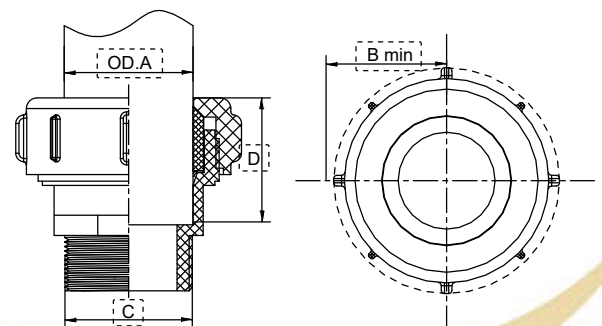
1) Insert the Quick-connect Fitting into the pump's discharge outlet and tighten.



2) Insert PVC pipe into the Quick-Connect Fitting as far as possible.



3) Hand-tighten the Quick-Connect Fitting around the PVC pipe.
Done! Lower the pump into the basin.



Specifications

Model No.	Thread (C)	Pipe (OD.A)	Pipe Insertion Depth (D)	Pump Outlet Distance (B min)	Body Material	Maximum Working Temperature	Maximum Pressure
AQC150K	1-1/2" NPT	1.91"	2.35"	1.75"	Reinforced thermoplastic	140°F	20 psi
AQC200K	2" NPT	2.38"	2.35"	2.25"	Reinforced thermoplastic	140°F	20 psi