

Instruction Manual

3 Pk Lamp Set

Questions?

E-mail our customer service department at customerservice@alltherages.com

IMPORTANT SAFETY INSTRUCTIONS:

This portable lamp has a polarized plug (one blade is wider than the other). As a safety feature to reduce the risk of electrical shock and fire, this plug will fit in a polarized outlet only one way. If the plug does not fit fully in the outlet, reverse the plug. If it still does not fit, contact a qualified electrician. Never use with an extension cord unless the plug can be fully inserted. Do not alter this safety feature. This lamp is for indoor use only. The lamp should not be used near water. Never immerse the lamp in water or other liquids. Never cover the lamp with any object including cloth or paper as this is a fire hazard. Do not handle the bulb immediately after the light is turned off as it will be hot. This is not a toy.

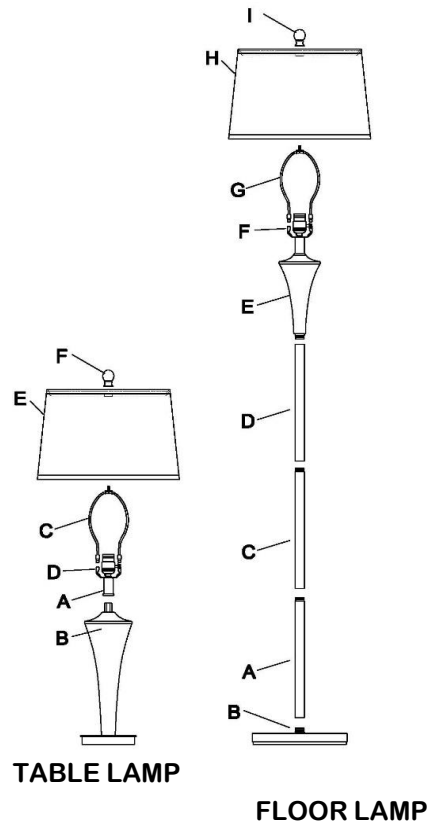
ASSEMBLY INSTRUCTIONS:

TABLE LAMP:

1. Screw socket (A) into Base (B)
2. Squeeze the harp (C) and insert into the harp saddle (D)
3. Remove the protective plastic from the lamp shade (E) and attach to the harp (C) by screwing the finial (F) to the harp (C).
4. Install bulb. Only use bulbs of specified type and maximum rated wattage or less.
5. Plug the electrical supply cord into the wall outlet.

FLOOR LAMP:

1. Screw pole (A) to base (B), then screw pole (C) to pole (A).
2. Screw pole (D) to pole (C), screw lamp body (E) to pole (D),
3. Squeeze the harp (G) and insert into the saddle (F).
4. Remove the protective plastic from the lamp shade (H) and attach to the harp (G) by screwing the finial (I) to the harp (G).
5. Install bulb. Only use bulbs of specified type and maximum rated wattage or less.
6. Plug the electrical supply cord into the wall outlet.



EACH USES 1X 100W MAX MEDIUM BASE TYPE A BULB
(NOT INCLUDED)

CLEANING & MAINTENANCE:

1. Unplug the fixture before cleaning.
2. Use a clean, dry, soft, lint-free cloth.
3. Do not use water or other chemical cleaning agents.

LIMITED WARRANTY

All the Rages Inc, a New Jersey corporation, having its principal place of business at 355 Eisenhower Parkway Suite 101 Livingston, NJ 07039 (All the Rages) warrants its products (the "products") as follows:

1. Limited Warranty.

Manufacturer warrants that the products sold hereunder will be free from defects in material and workmanship for a period of one (1) year from the date of purchase. If the products do not conform to this Limited Warranty during the warranty period (as herein above specified), Buyer shall notify Manufacturer in writing of the claimed defects and demonstrate to Manufacturer's satisfaction that said defects are covered by this Limited Warranty. If the defects and proof of purchase are properly reported to Manufacturer within the warranty period, and the defects are of such type and nature as to be covered by this warranty, Manufacturer shall, as its own expense, furnish replacement products or, at Manufacturer's option, replacement parts for the defective products. Installation of the replacement products or replacement parts shall be at Buyer's expense.

2. Exclusive Obligation:

THIS WARRANTY IS EXCLUSIVE. The sole and exclusive obligation of Manufacturer shall be to repair or replace the defective products in the manner and for the period provided above. Manufacturer shall not have any other obligation with respect to the products or any part thereof, whether based on contract, tort, strict liability or otherwise. Under no circumstances, whether based on this Limited Warranty or otherwise, shall Manufacturer be liable for incidental, special, or consequential damages.

3. Other Statements.

Manufacturer's employees or representatives' oral or other written statements do not constitute warranties, shall not be relied upon by Buyer, and are not part of the contract for sale or this limited warranty.

4. Entire Obligation.

This Limited Warranty states the entire obligation of Manufacturer with respects to the products. If any part of this Limited Warranty is determined to be void or illegal, the remainder shall remain in full force and effect.



ALL THE RAGES INC
355 EISENHOWER PARKWAY
SUITE 101
LIVINGSTON, NJ 07039
WWW.ALLTHERAGES.COM
PRINTED IN CHINA