



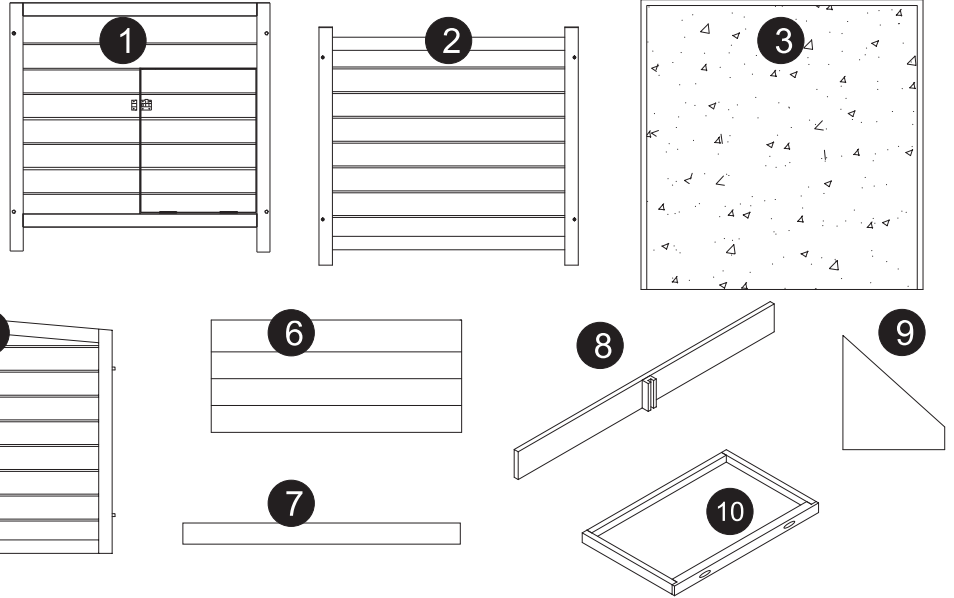


ASSEMBLY INSTRUCTION

DDP-1734

- A  3.5x50mm 2pcs
- B  3.5x45mm 8pcs
- C  3x16mm 4pcs
- R  1pc

PARTS



ASSEMBLY

