


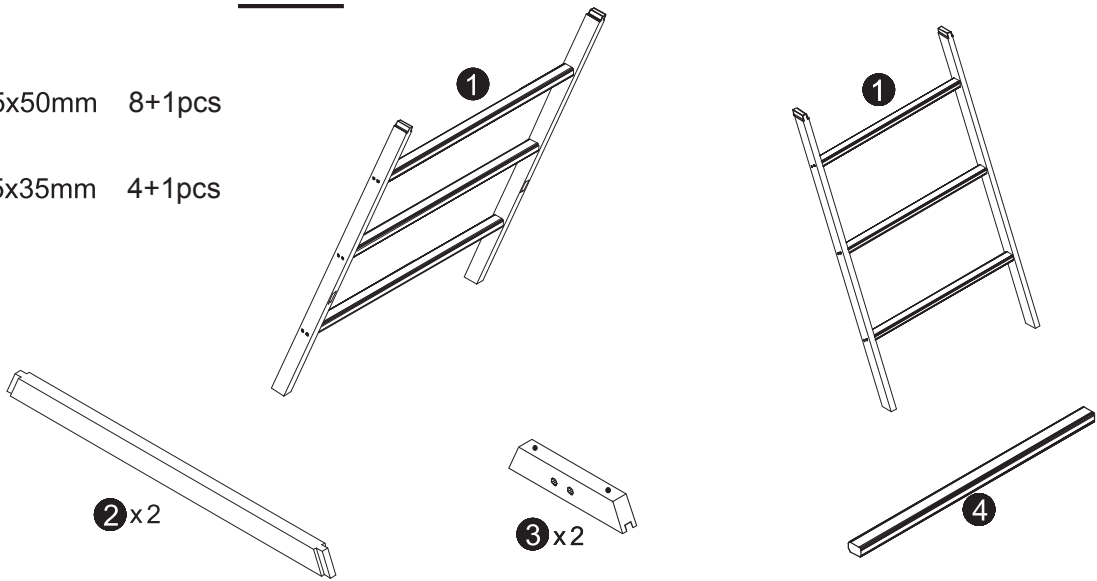
ASSEMBLY INSTRUCTION

DDP-1740L

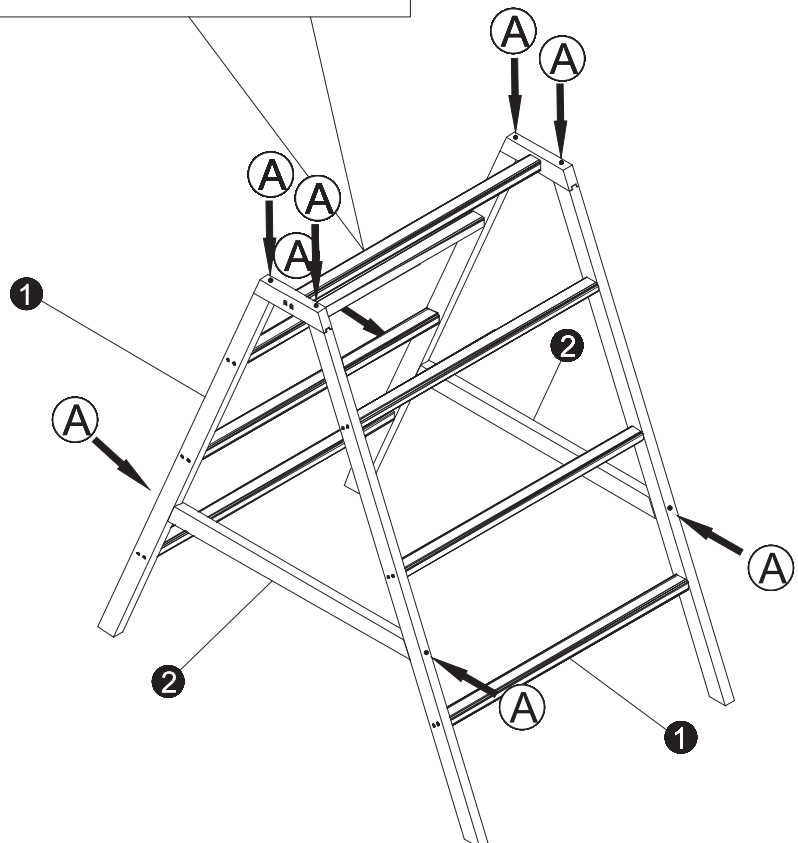
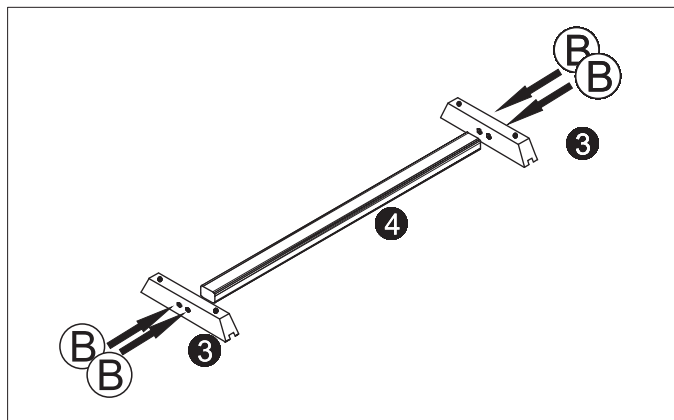
PARTS

Ⓐ  3.5x50mm 8+1pcs

Ⓑ  3.5x35mm 4+1pcs



ASSEMBLY



A  x8

B  x4