




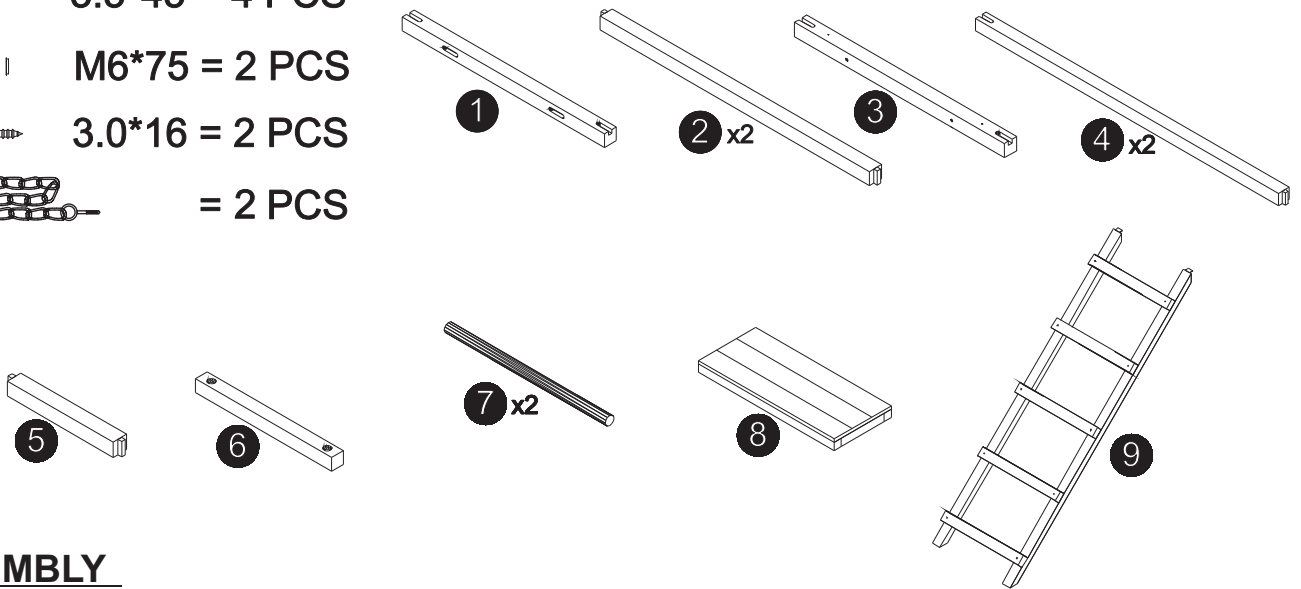


ASSEMBLY INSTRUCTION

DDP-1742



PARTS

- (A)**  3.5*60 = 8 PCS
- (B)**  3.5*45 = 4 PCS
- (C)**  M6*75 = 2 PCS
- (D)**  3.0*16 = 2 PCS
- (E)**  = 2 PCS





ASSEMBLY


1

- (E)**  x2
- (A)**  x4



2

- (A)**  x4
- (B)**  x2

3

- (C)**  x2

4

- (B)**  x2
- (D)**  x2