


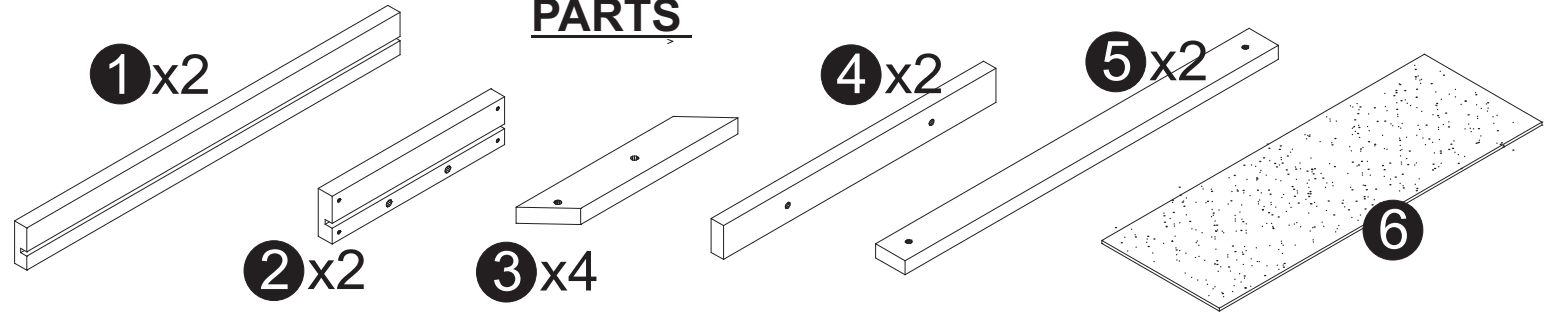
ASSEMBLY INSTRUCTION

DDP-2223

(A)  3.5x35mm 12+1 pcs

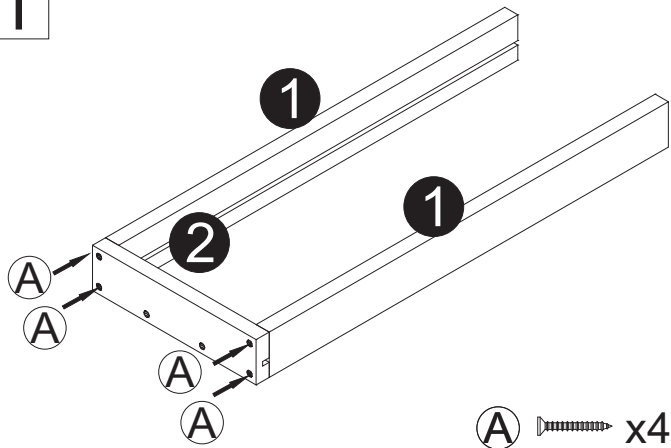
(B)  M6x50mm 8+1 pcs

PARTS

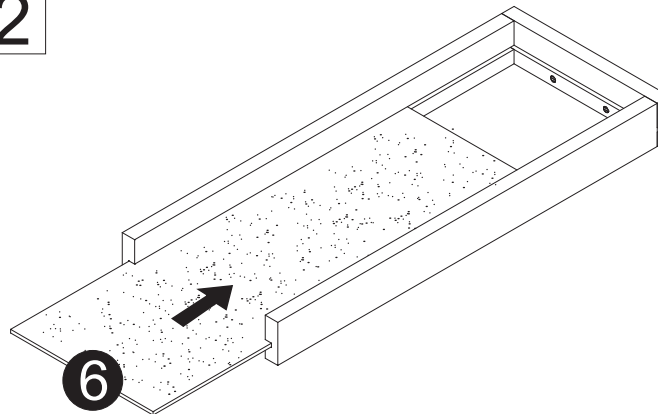


ASSEMBLY

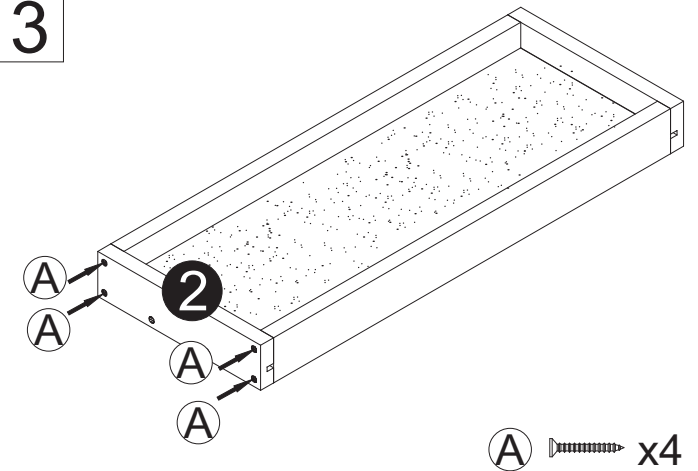
1



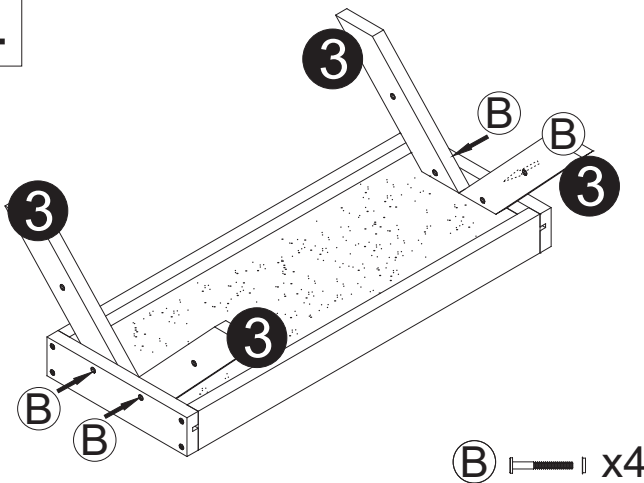
2



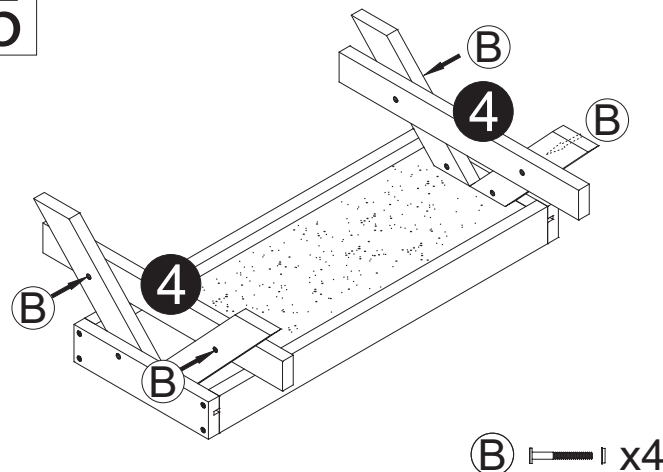
3



4



5



6

