
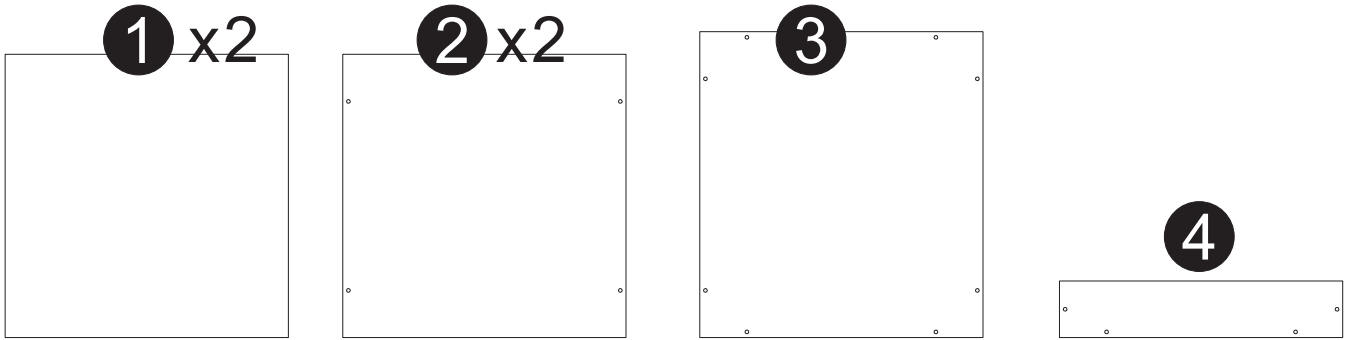


ASSEMBLY INSTRUCTION

DDP-2292S

 3.5x30=20x

PARTS



ASSEMBLY

