

WARRANTY

WHAT IS COVERED

We warrant the product to be free from defects in material or workmanship for a period of one year from the date of original retail purchase. The word "defects" is defined as imperfections that impair the use of the product. Defects resulting from misuse, abuse or customer negligence will void this warranty.

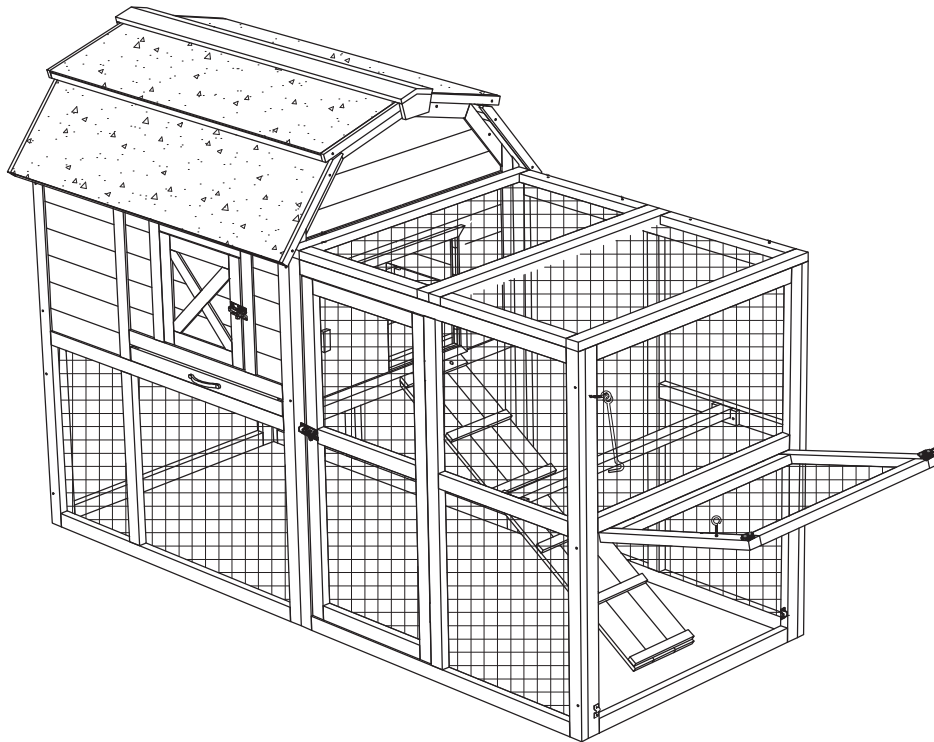
WHAT IS NOT COVERED

This warranty does not cover commercial use, hardware, acts of nature, fire, freezing and abusive use. This warranty does not cover defects due to alteration or accidents. This warranty does not cover scratches, scuffs or other cosmetic damages that may result from normal use of the product.

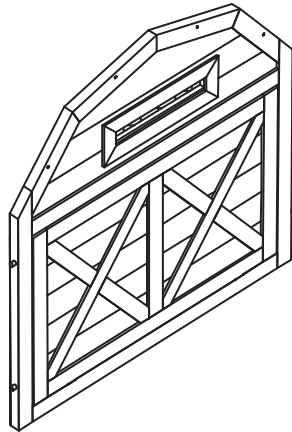
CARE INSTRUCTIONS

Thank you for choosing ZOOVILLAS™ BIG FARM CHICKEN COOP. With a little care and maintenance, the ZOOVILLAS™ BIG FARM CHICKEN COOP will provide you with comfort and enjoyment for many years to come!

- To clean panels, use clean water on a damp cloth. DO NOT pressure wash, this will damage the finish.
- When assembling ZOOVILLAS™ BIG FARM CHICKEN COOP, please handle all panels and/or hardware with care to avoid any possibilities of damages and/or injuries.
- Cover during harsh weather to keep it from weathering.
- It is highly recommended that you treat ZOOVILLAS™ BIG FARM CHICKEN COOP with a weatherproof coating (stain or paint) once a year, to increase life expectancy and maintain the look.



NOTE: Please read all instructions carefully before starting assembly. Also, we recommend that the unit is fully assembled on a level surface. Two people are recommended to assemble this product. DO NOT over torque screws and bolts.

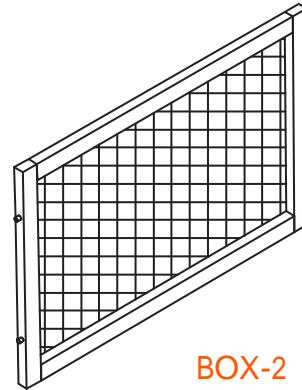


BOX-1

1

BACK PANEL

X 1PC

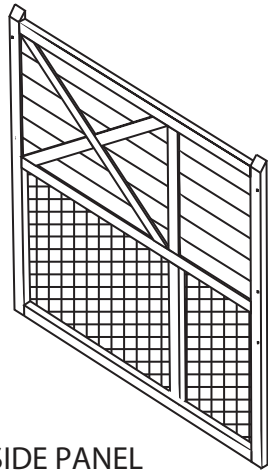


BOX-2

2

CAGE BACK PANEL

X 1PC

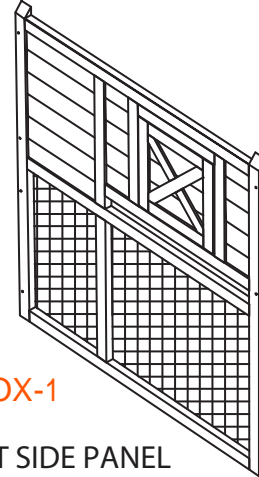


BOX-1

3

LEFT SIDE PANEL

X 1PC

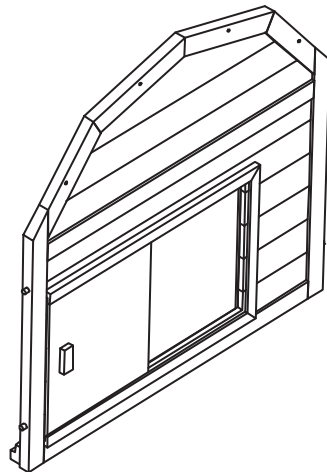


BOX-1

4

RIGHT SIDE PANEL

X 1PC

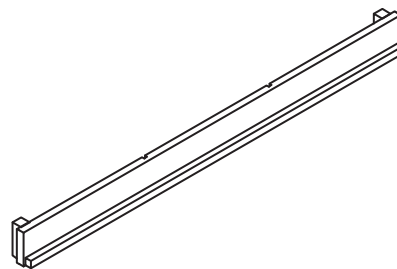


BOX-1

5

MIDDLE PANEL

X 1PC



BOX-1

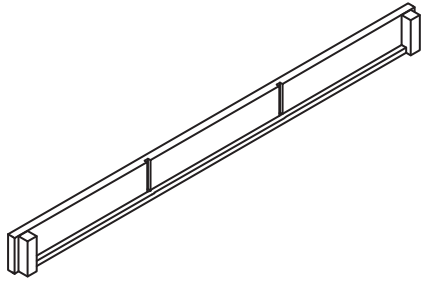
6

NESTING BOX FRONT

X 1PC

NOTE: Please read all instructions carefully before starting assembly.
Also, we recommend that the unit is fully assembled on a level surface.
Two people are recommended to assemble this product.
DO NOT over torque screws and bolts.

BOX-1

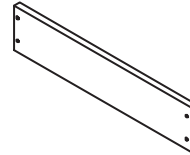


7

NESTING BOX BACK

X 1PC

BOX-1

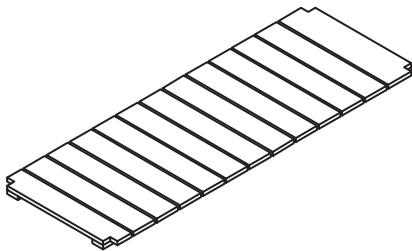


8

NESTING BOX SIDES

X 2PCS

BOX-1

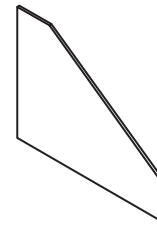


9

NESTING BOX FLOOR

X 1PC

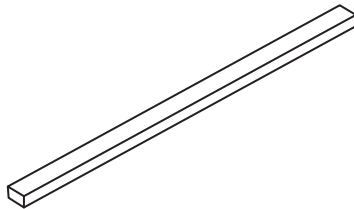
BOX-1



10

NESTING BOX SEPARATORS X 2PCS

BOX-1

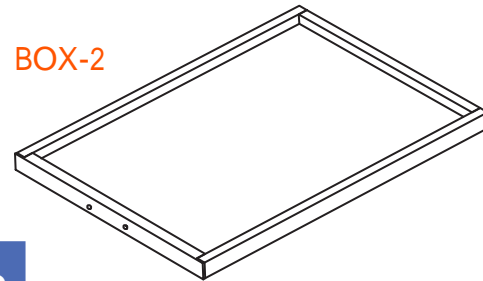


11

CROSSBARS

X 3PCS

BOX-2

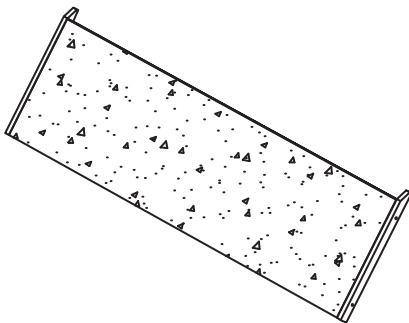


12

TRAY

X 1PC

BOX-2

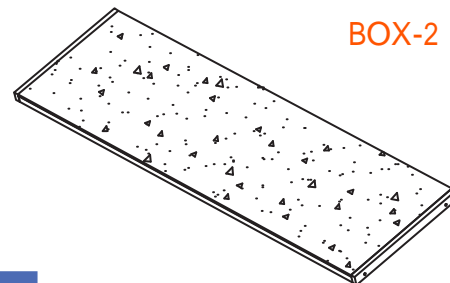


13

OUTER ROOF PANELS

X 2PCS

BOX-2



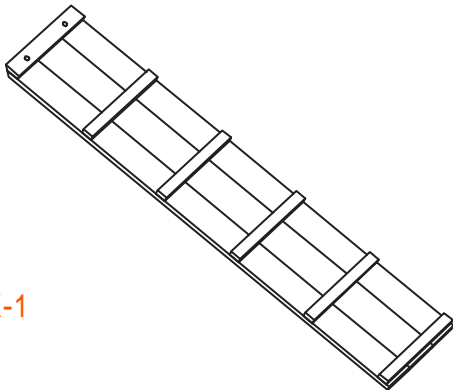
14

INNER ROOF PANELS

X 2PC2

NOTE: Please read all instructions carefully before starting assembly.
 Also, we recommend that the unit is fully assembled on a level surface.
 Two people are recommended to assemble this product.
 DO NOT over torque screws and bolts.

BOX-1

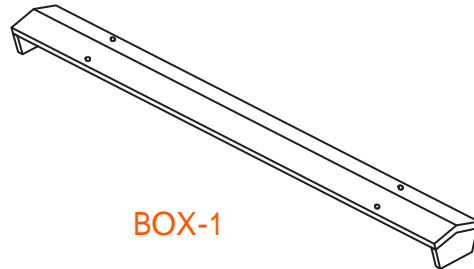


15

RAMP

X 1PC

BOX-1

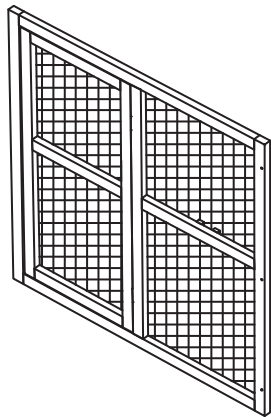


16

ROOF CAP

X 1PC

BOX-1

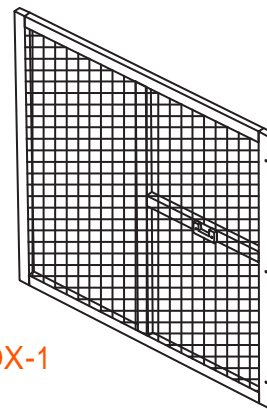


17

CAGE LEFT SIDE PANEL

X 1PC

BOX-1

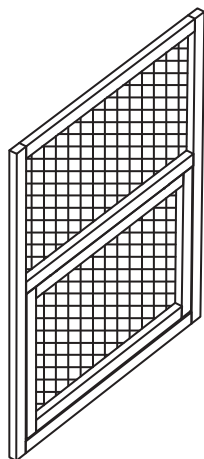


18

CAGE RIGHT SIDE PANEL

X 1PC

BOX-1

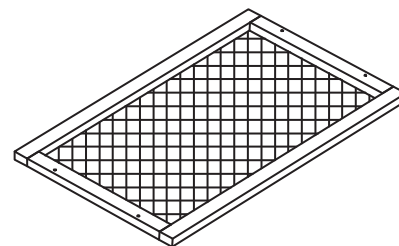


19

CAGE FRONT PANEL

X 1PC

BOX-1

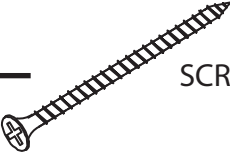
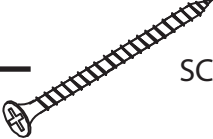
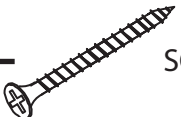
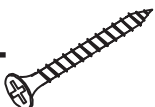



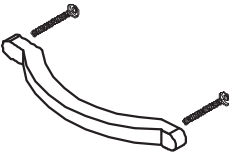



20

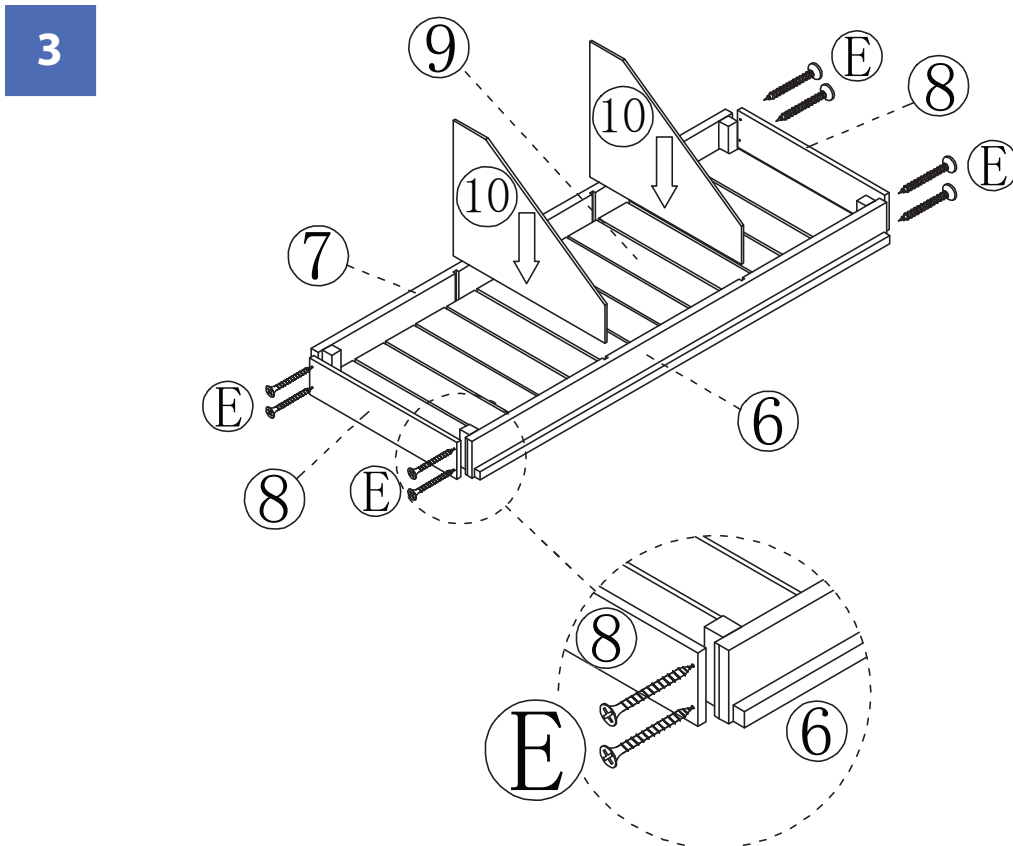
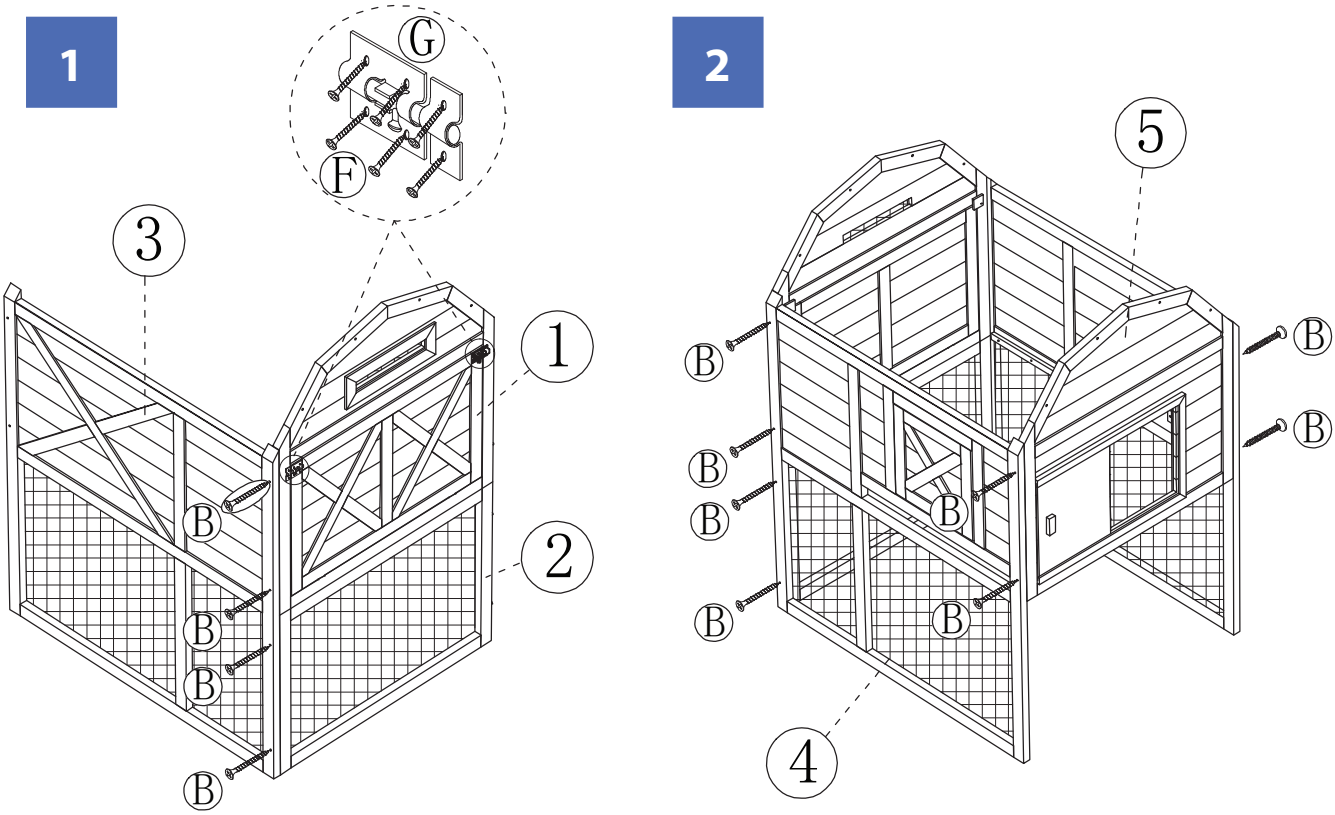
CAGE CEILING PANELS

X 2PCS

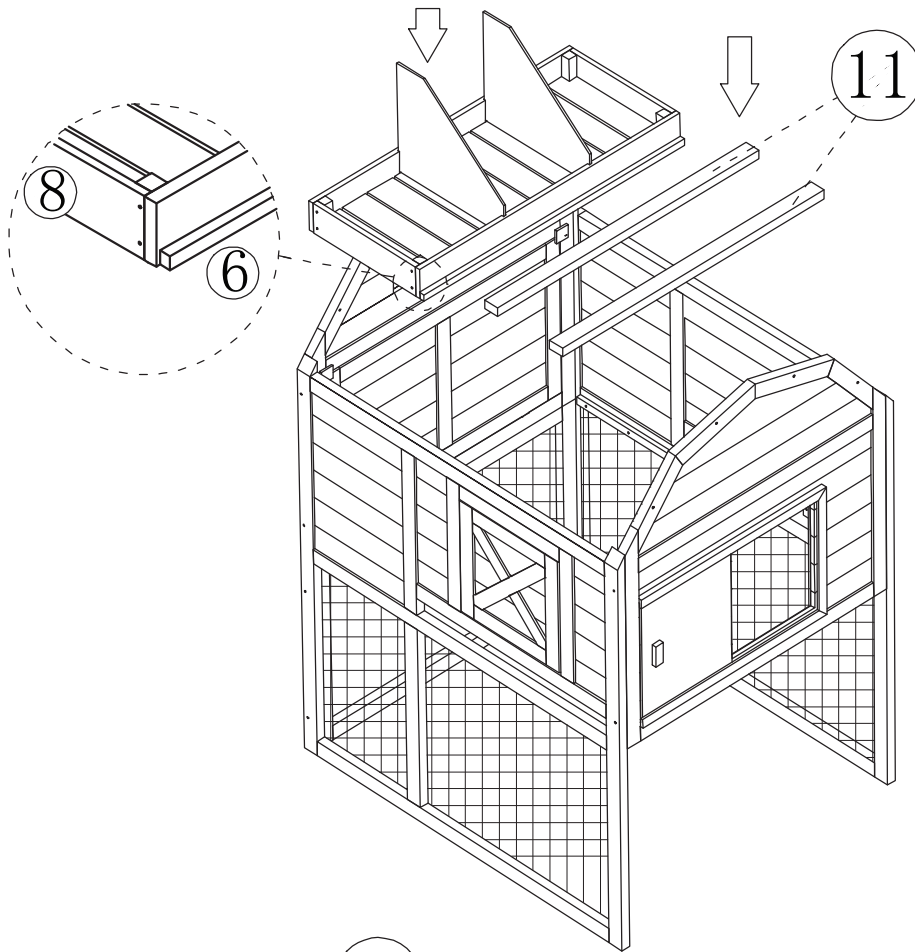
NOTE: Please read all instructions carefully before starting assembly.
Also, we recommend that the unit is fully assembled on a level surface.
Two people are recommended to assemble this product.
DO NOT over torque screws and bolts.

A		SCREW 3.5X60	6 PCS
B		SCREW 3.5X40	26 PCS
C		SCREW 3.5X35	10 PCS
D		SCREW 3.5X25	4 PCS
E		SCREW 3.0X25	8 PCS
F		SCREW 3.0X14	36 PCS
G		LATCH	6 PCS
H		HANDLE	1 PC
I		HOOK AND LOOP	1 PC

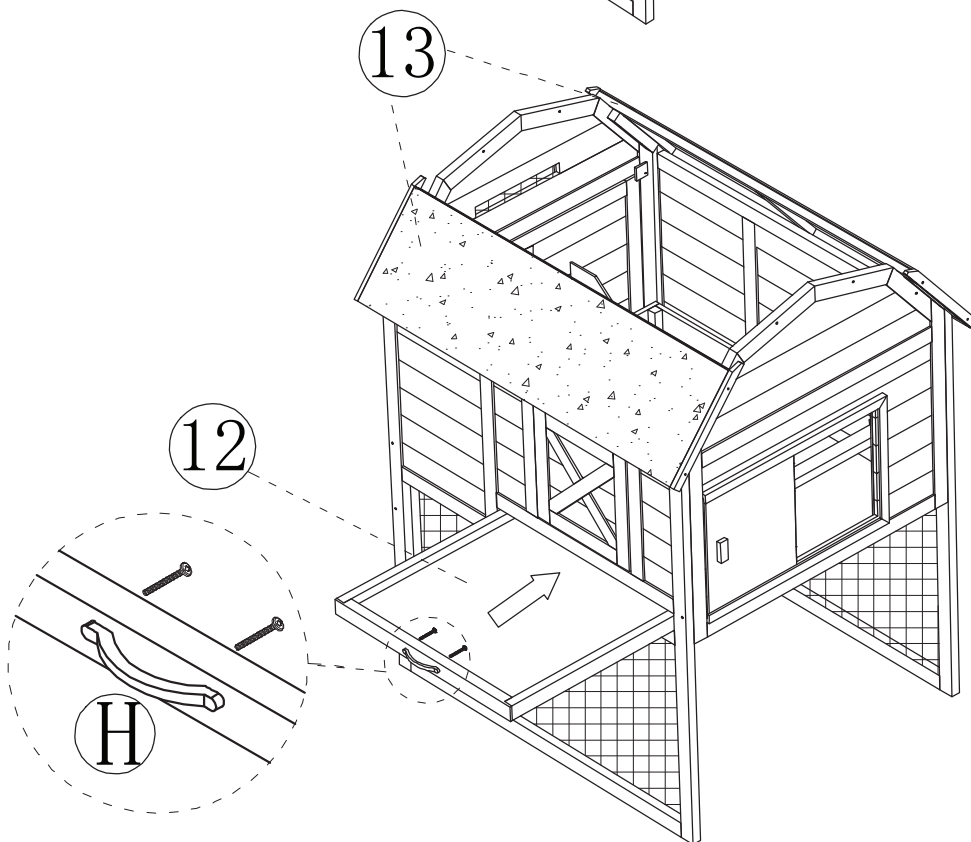
NOTE: Please read all instructions carefully before starting assembly.
 Also, we recommend that the unit is fully assembled on a level surface.
 Two people are recommended to assemble this product.
 DO NOT over torque screws and bolts.



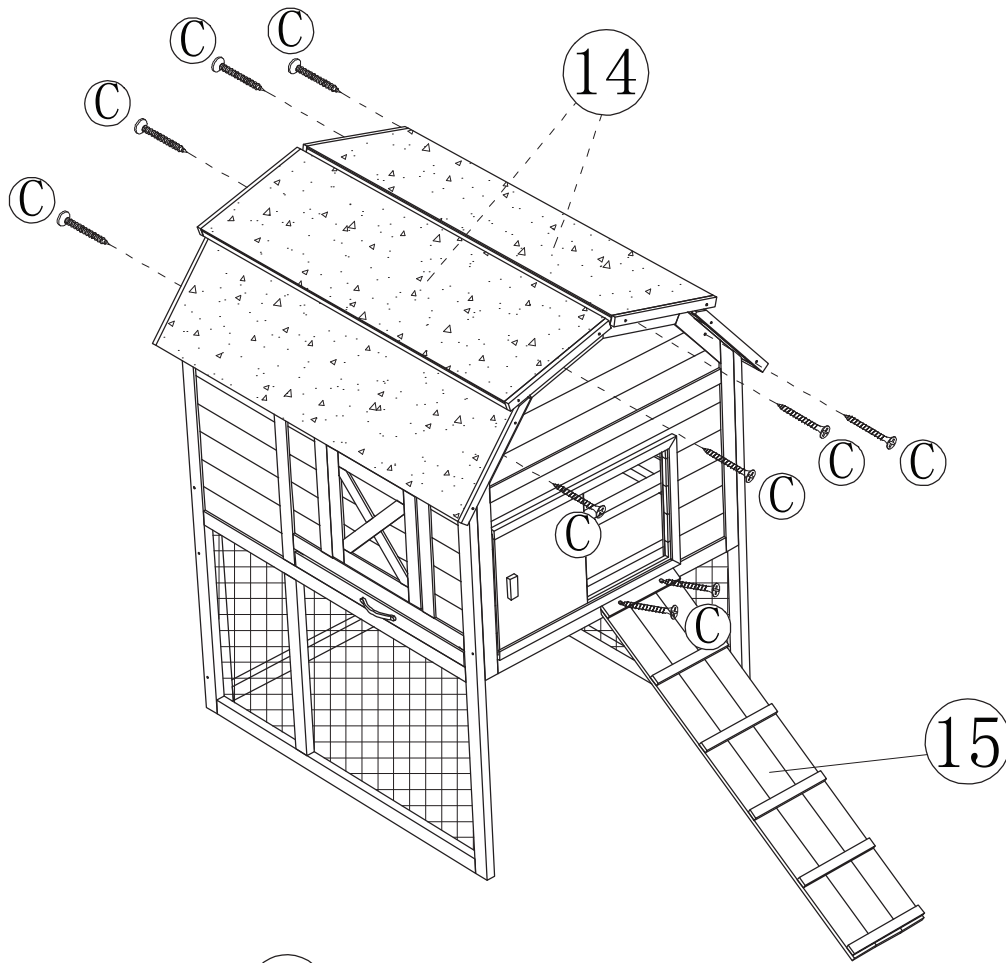
4



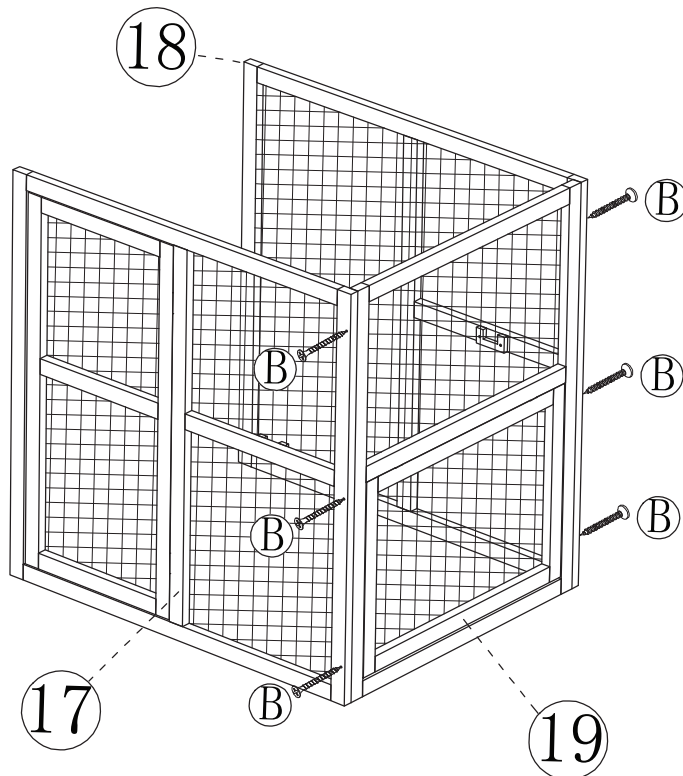
5



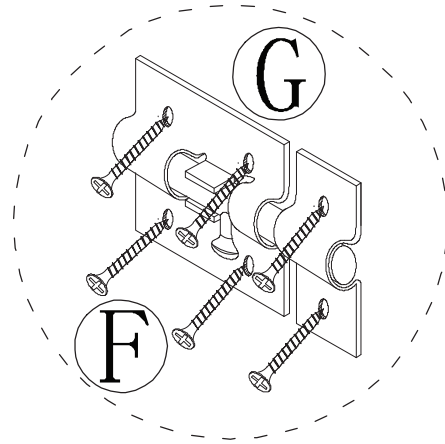
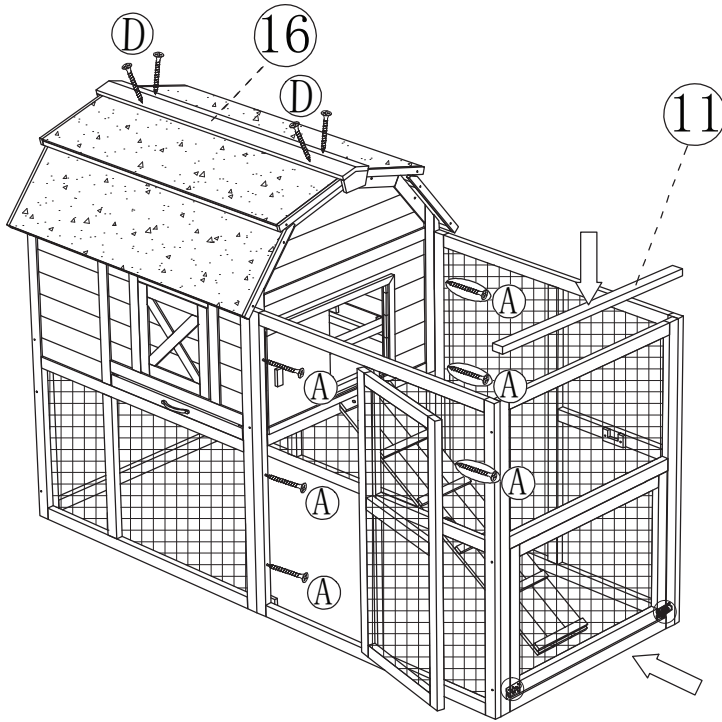
6



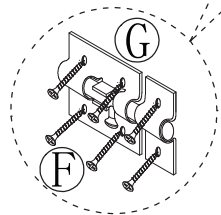
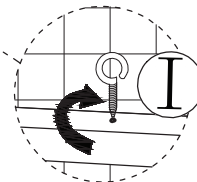
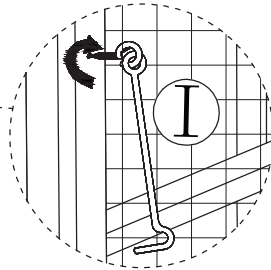
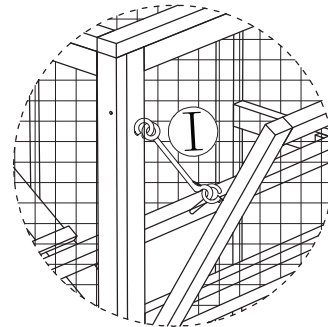
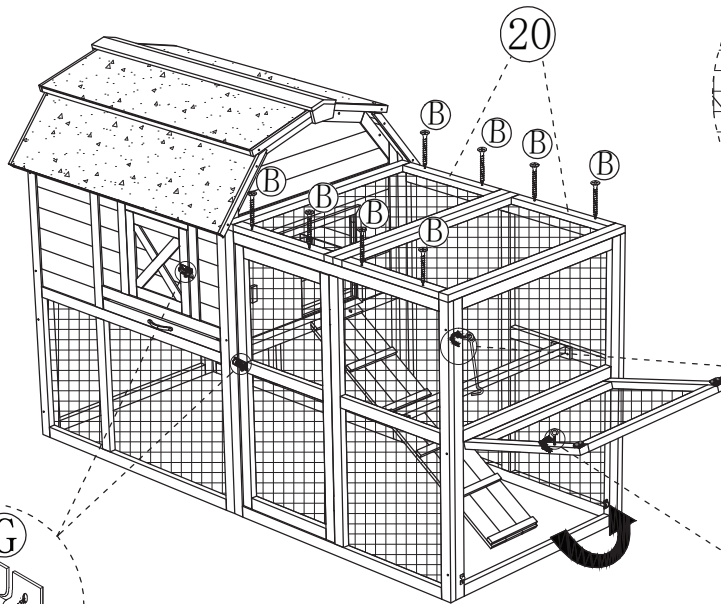
7



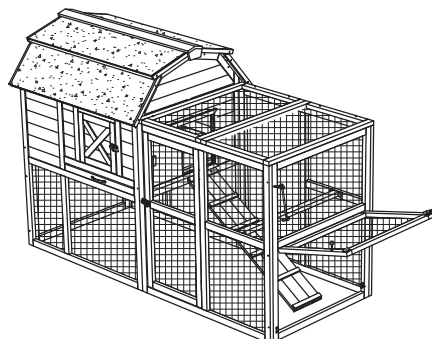
8



9



10



Please check contents before assembly. If any items are missing or damaged, do not take the unit back to the store. Call (775) 629-5029 or email: service@merryproducts.com for customer service and we will save you time by correcting any problems directly for you.

NOTE: Please read all instructions carefully before starting assembly. Also, we recommend that the unit is fully assembled on a level surface. Two people are recommended to assemble this product.
DO NOT over torque screws and bolts.