





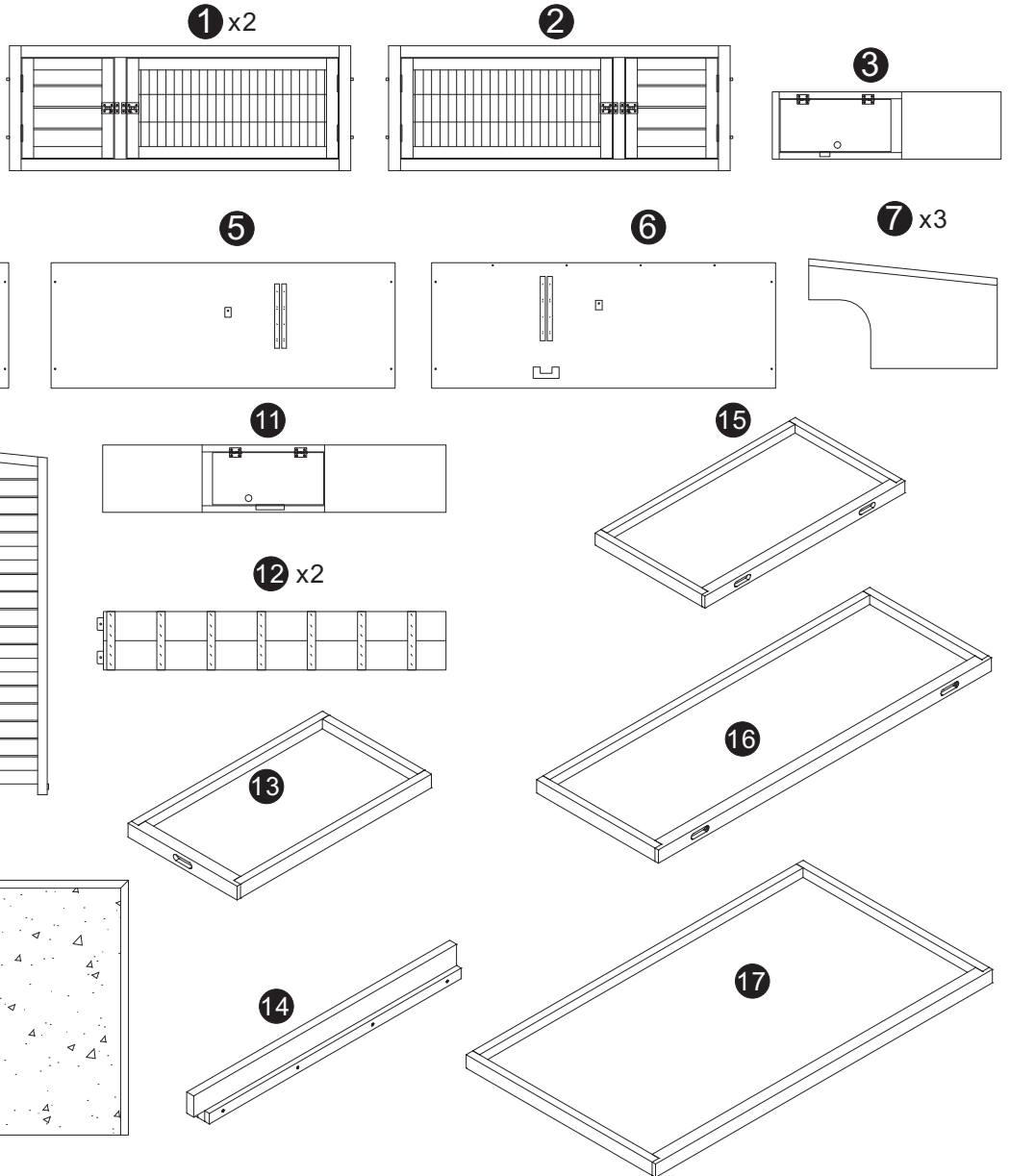


ASSEMBLY INSTRUCTION

DDP-1613C

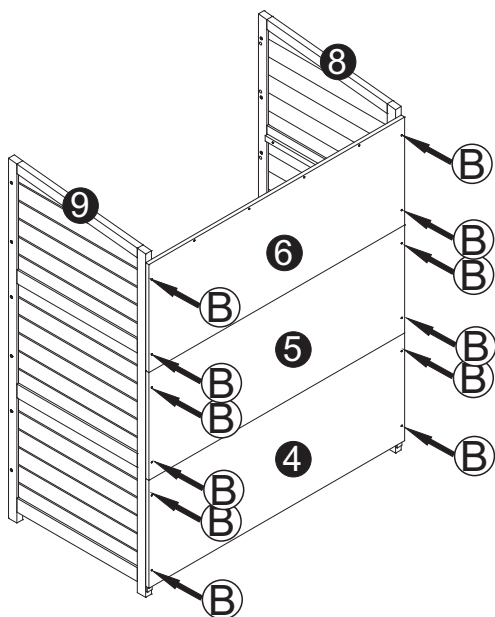
- (A)  3.5x45=12x
- (B)  3.5x35=14x
- (C)  3.5x25=4x
- (D)  3.0x16=12x
- (L)  =1x
- (R)  =1x

PARTS



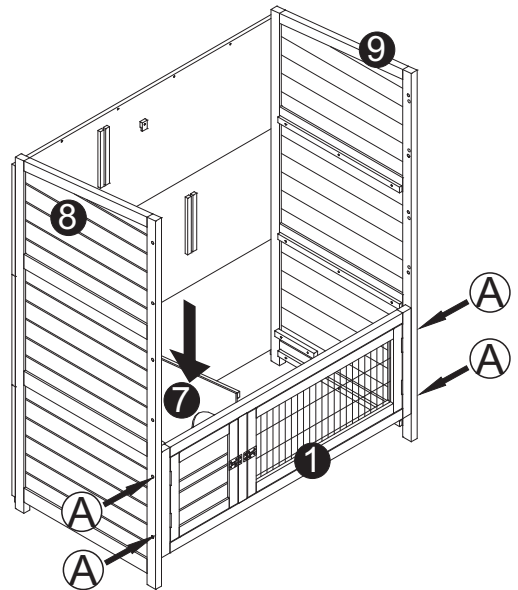
ASSEMBLY

1



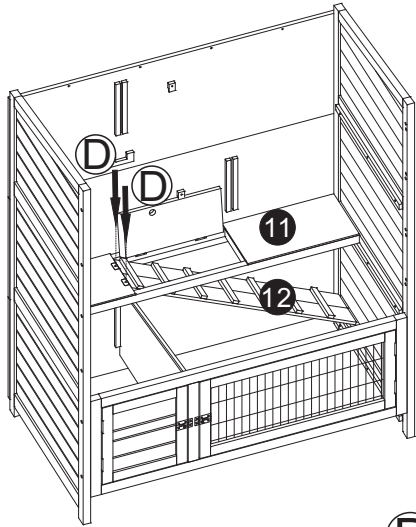
(B)  x12

2



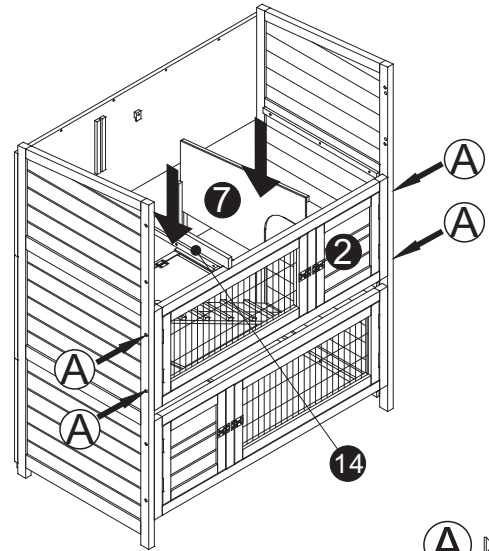
(A)  x4

3



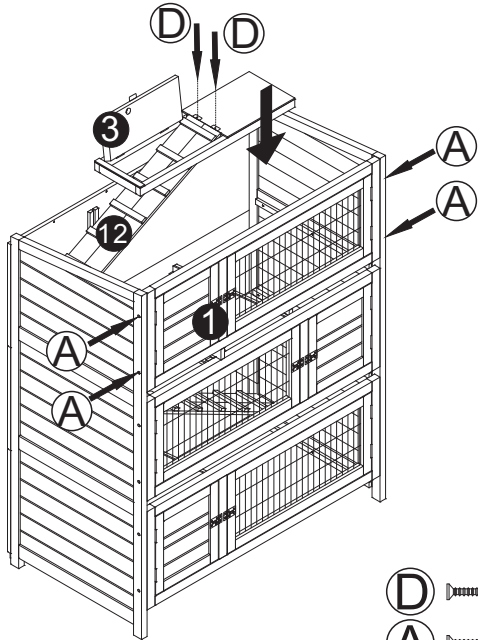
D \rightarrow x2

4



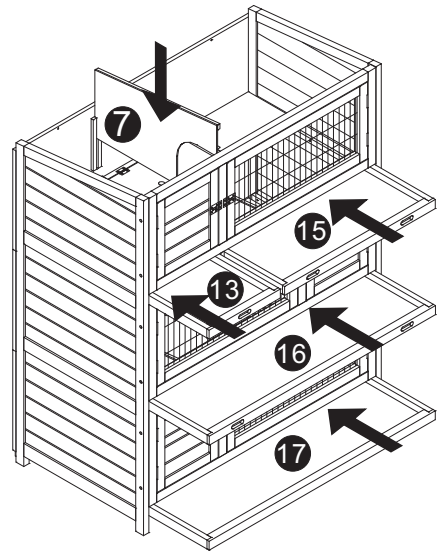
A \rightarrow x4

5

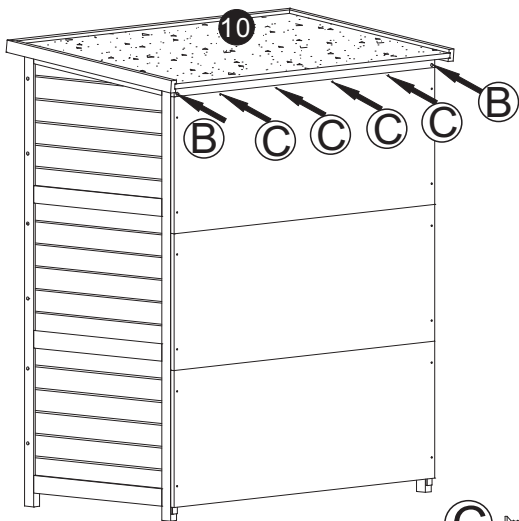


D \rightarrow x2
A \rightarrow x4

6

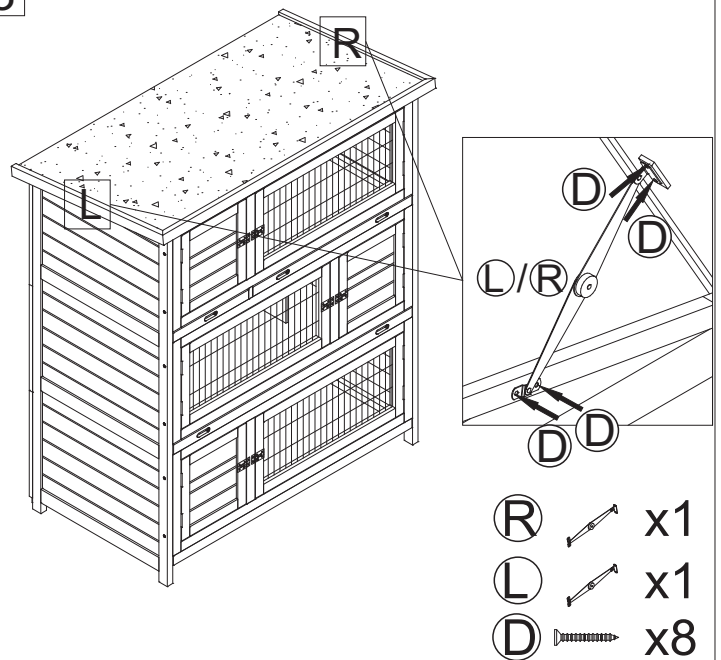


7



C \rightarrow x4
B \rightarrow x2

8



R \rightarrow x1
L \rightarrow x1
D \rightarrow x8