


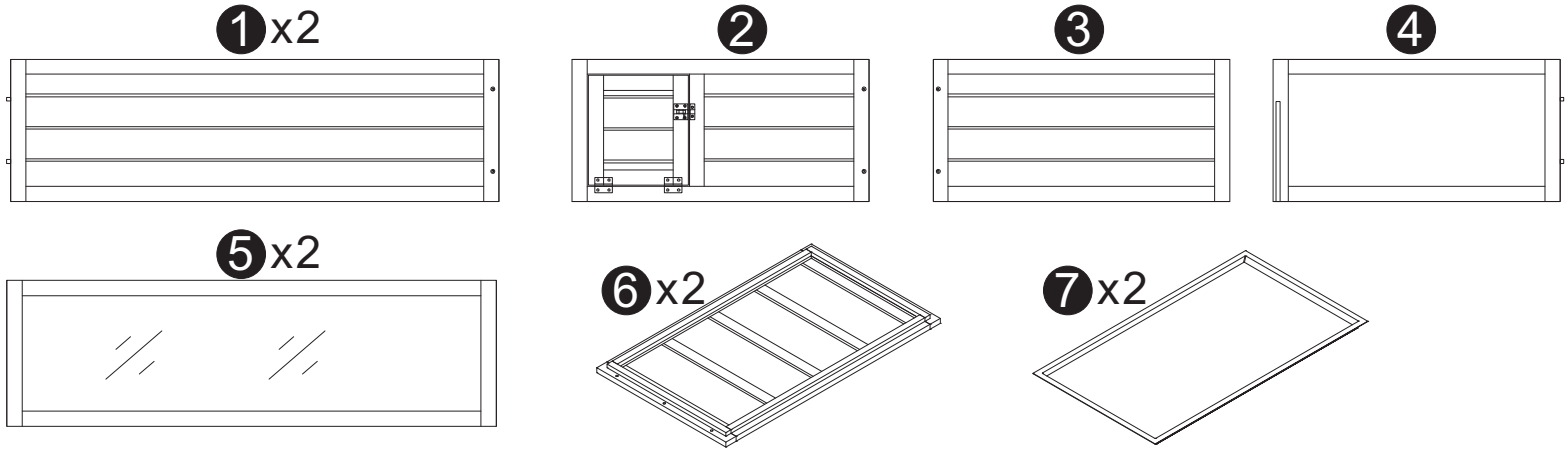


# ASSEMBLY INSTRUCTION

DDP-2291L

- (A)  3.5x40=28x
- (B)  3.0x16=16x
- (C)  =4x

## PARTS



## ASSEMBLY

