

# Lakeland

Model # 5868

## Lakeland 28in Tall Planter



### DESCRIPTION

Create the perfect finishing touch to any patio or porch with our Lakeland Tall Planter. The tall planter is made of high quality polyethylene and a built-in water reservoir system that encourages healthy plant growth by allowing plants to practically water themselves. Our Lakeland Tall Planter has the look of wood without the up-keep.

- Single wall molded design with removable tray
- Self watering tray insert creates sub-irrigation water system
- Weather resistant, low maintenance material
- 100% high-grade polyethylene planter with UV inhibitors
- Warranty: 15-Yr Residential Use / 5-Yr Commercial Use

### PRODUCT DIMENSIONS

Outside Dimensions: 16in L x 16in W x 28in H (40.6cm x 40.6cm x 71.1cm)

Inside Dimensions: 12.2in L x 12.2in W x 12.4in D (31cm x 31cm x 31.5cm)

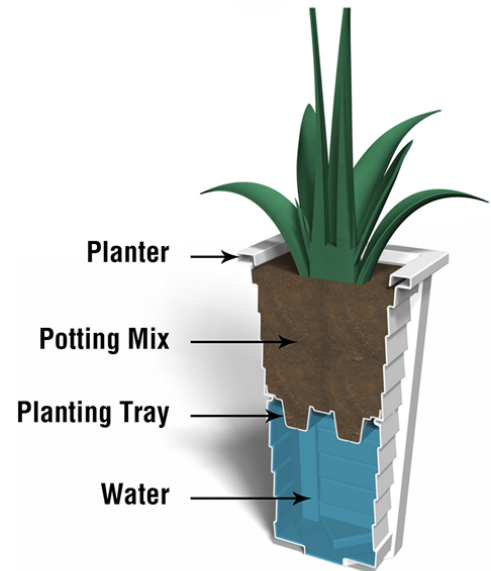
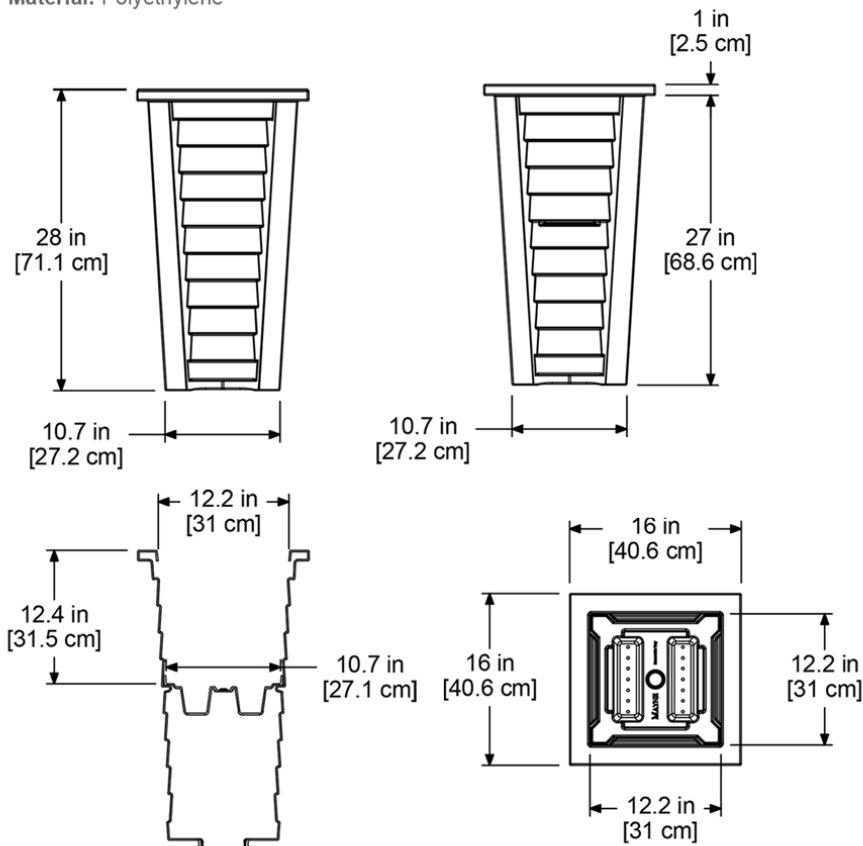
Soil Capacity: 7.4 Gallons (28 Liters)

Water Reservoir Capacity: 6.7 Gallons (25.3 Liters)

Wall Thickness: 0.15in (3.8mm)

Part Weight: 10lbs (4.5kg)

Material: Polyethylene



**MAYNE**<sup>®</sup>  
Outdoor Products of Distinction

7024 Kilbourne Rd - Unit A London, ON N6P 1K6  
Tel: 866-363-8834 | [www.gomayne.com](http://www.gomayne.com)  
[customerservice@gomayne.com](mailto:customerservice@gomayne.com)