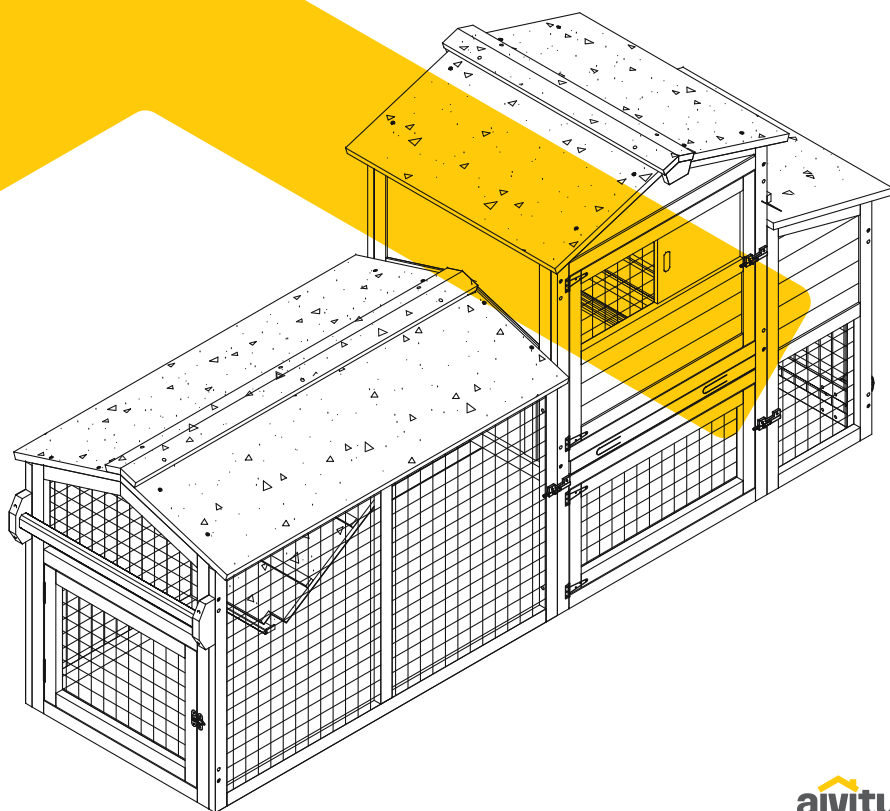


INSTRUCTION MANUAL

AIR 61



aivituvin

www.aivituvin.com



NOTICE

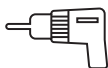
Please retain these instructions for future reference.

- Firmly secure all bolts,screws and knobs before use.
- Reconfirm that all bolts,screws,and knobs are secure every 90 days.
- Fasten screws loosely during initial assembly. Do not fully tighten screws until the item is completely assembled.
- Do not use or store this item in the proximity of open flame or flammable/combustible chemicals.
- Be aware that some parts are heavy and have sharp edges.
- Be aware that moving parts can injure,crush and cut.
- If any parts are missing,broken,damaged,or worn,stop using this product until repairs are made and/or factory replacement parts are installed.
- Do not use this item in a way inconsistent with the manufacturer's instructions as this could void the product warranty.

TOOLS REQUIRED //



PHILLIPS
SCREWDRIVER



DRILL
(RECOMMENDED)



2PERSON
ASSEMBLY



APPROXIMATELY
45MIN. ASSEMBLY

HARDWARE //

M6.0x30mm BOLT
8PCS+1spare



P1

M3.5x60mm SCREW
10PCS+1spare



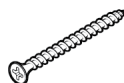
P2

M3.5x40mm SCREW
16PCS+1spare



P3

M3.5x35mm SCREW
22PCS+1spare



P4

M3.5x25mm SCREW
16PCS+1spare



P5

M3.0x16mm SCREW
24PCS+1spare



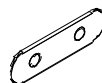
P6

M4.0x30mm BOLT
2PCS



P7

Connect pieces
2PCS

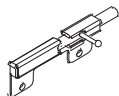


P8

(Only for 2 coops combination.
not available for one coop owner)

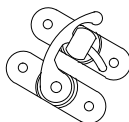
HARDWARE

Spring latch
3PCS

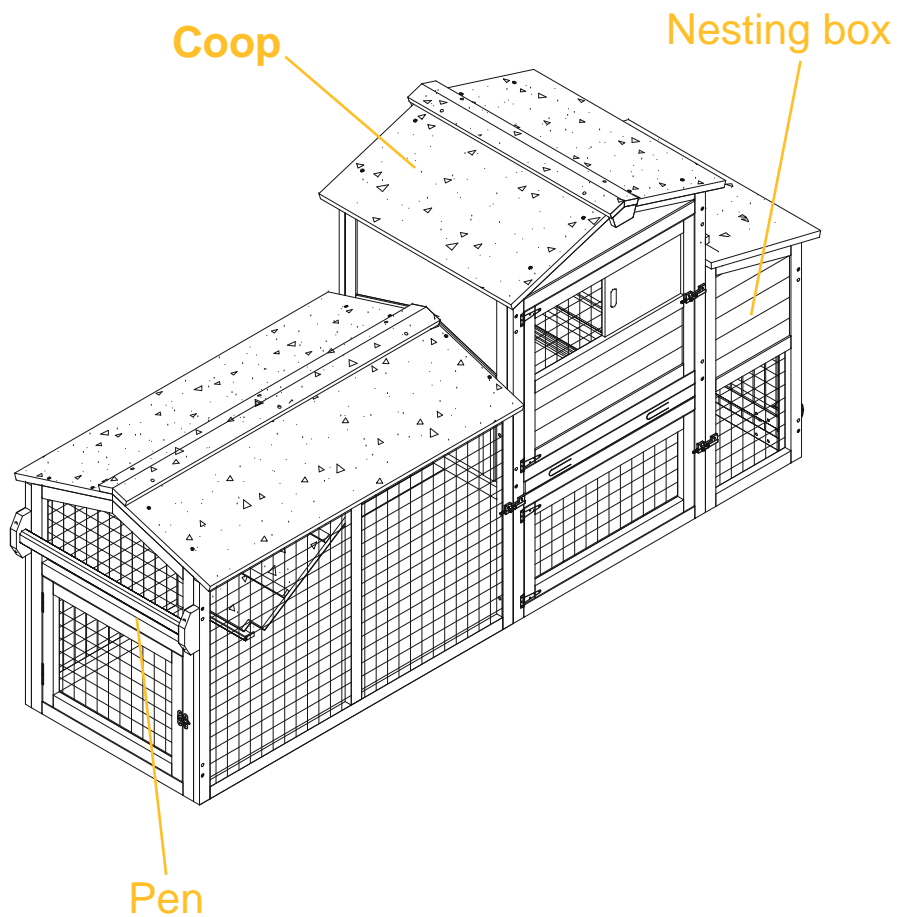


P9

Lock
1PC

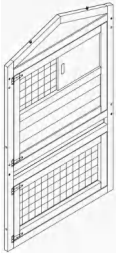


P10



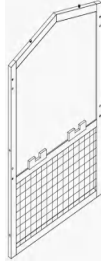
CARTON 1/2

Front panel of coop
1PC



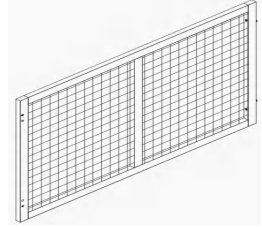
A

Back panel of coop
1PC



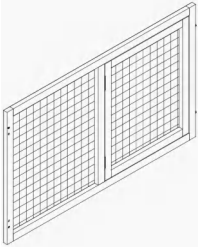
B

Back panel of pen
1PC



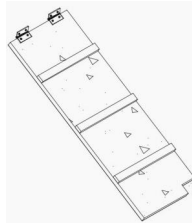
G

Front panel of pen
1PC



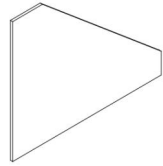
H

Ramp
1PC



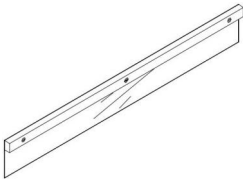
K

Divider
1PC



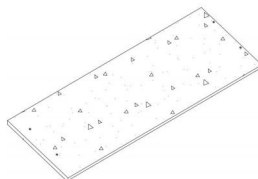
R

PVC Waterproof Strip
1PC



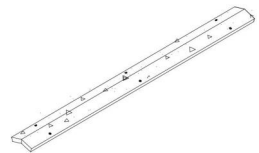
U

Roof of pen
2PCS



W

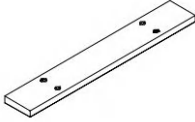
Roof cap of pen
1PC



Y

PARTS

Roof connect slat
1PC



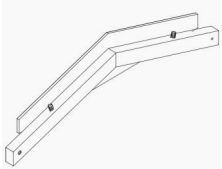
Z

(Only for 2 coops combination.
not available for one coop owner)

Hardware bag



Splayed supporting bar
1PC

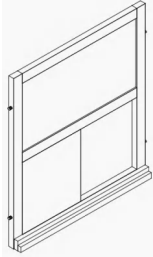


J

PARTS

CARTON 2/2

Left panel of coop
1PC



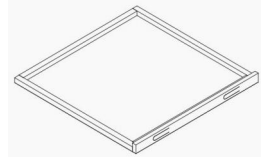
C

Right panel of coop
1PC



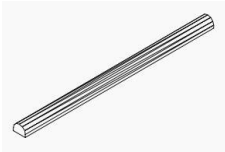
D

Tray
1PC



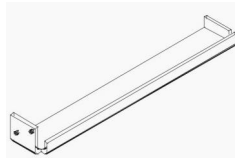
E

Perch
2PCS



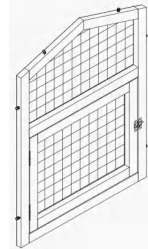
F

Metal ramp support
1PC



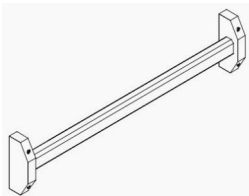
I

Side panel of pen
1PC



L

Push handle
1PC



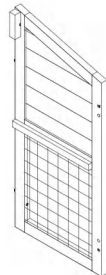
M

Left panel of nesting box
1PC



N

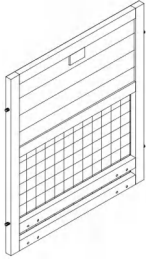
Right panel of nesting box
1PC



O

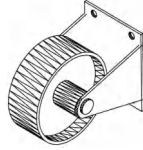
PARTS //

Side panel of nesting box
1PC



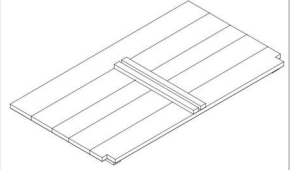
P

Casters
2PCS



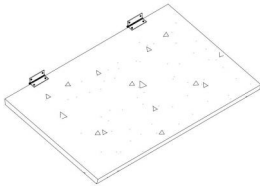
Q

Bottom of nesting box
1PC



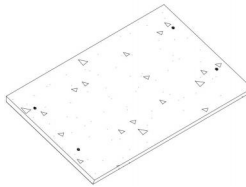
S

Roof of nesting box
1PC



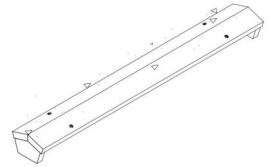
T

Roof of coop
2PCS



V

Roof cap of coop
1PC

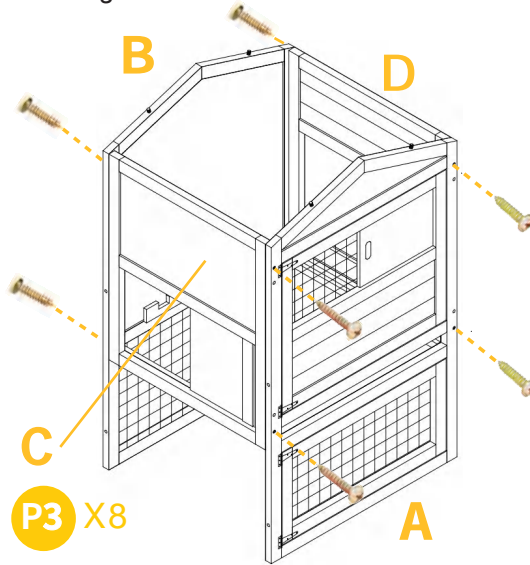


X

PRODUCT ASSEMBLY //

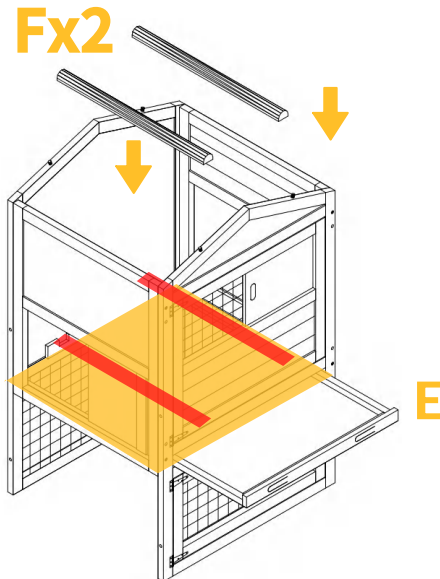
01

Attach the front Part A, the back Part B to the side panels Part C & D by 8xP3 screws. Notice to align with the dowels.



02

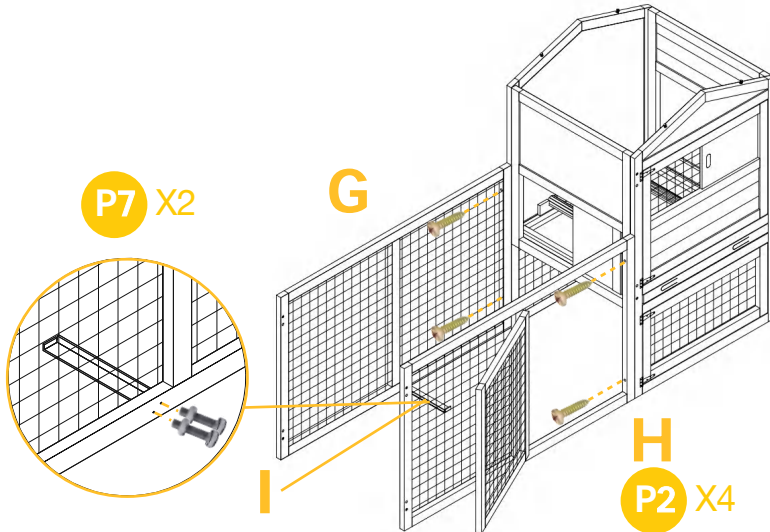
Slide in metal tray Part E. Insert perch Part F into slots inside the front and back panels.



PRODUCT ASSEMBLY //

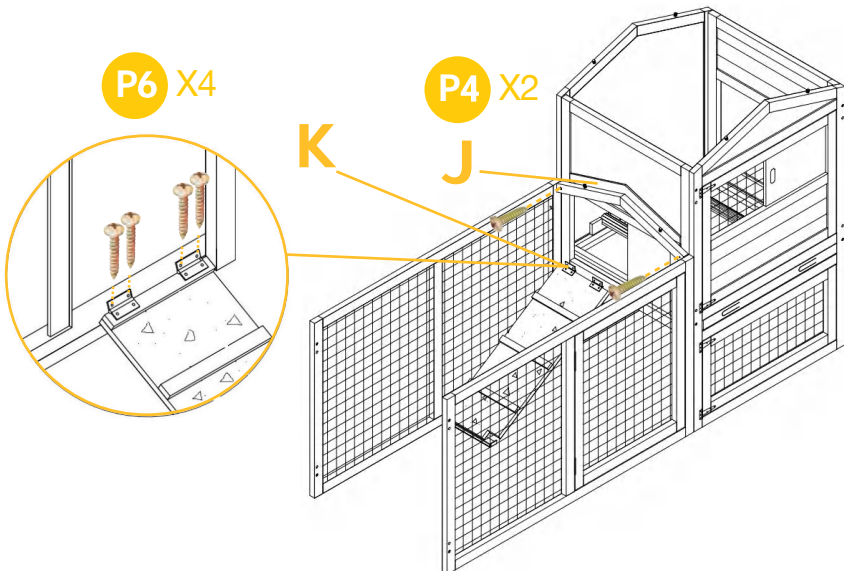
03

Ensure that all pen-panels have stapled-wire facing inside.
Attach Part G & H to coop by 4xP2 screws.
Attach metal ramp support Part I to the back panel by 2xP7 screws.



04

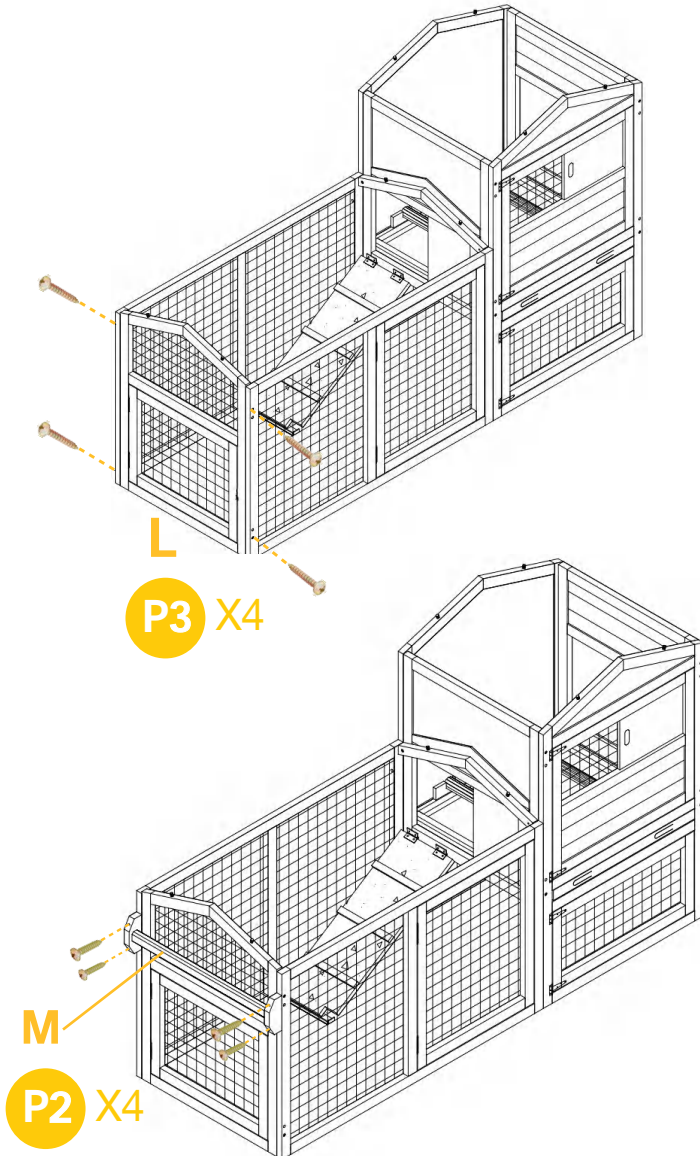
Attach the splayed supporting bar Part J by 2xP4 screws.
Screw ramp Part K to the bottom half of lower panel on Part D by 4xP6 screws. Notice not to block with the sliding door.



PRODUCT ASSEMBLY //

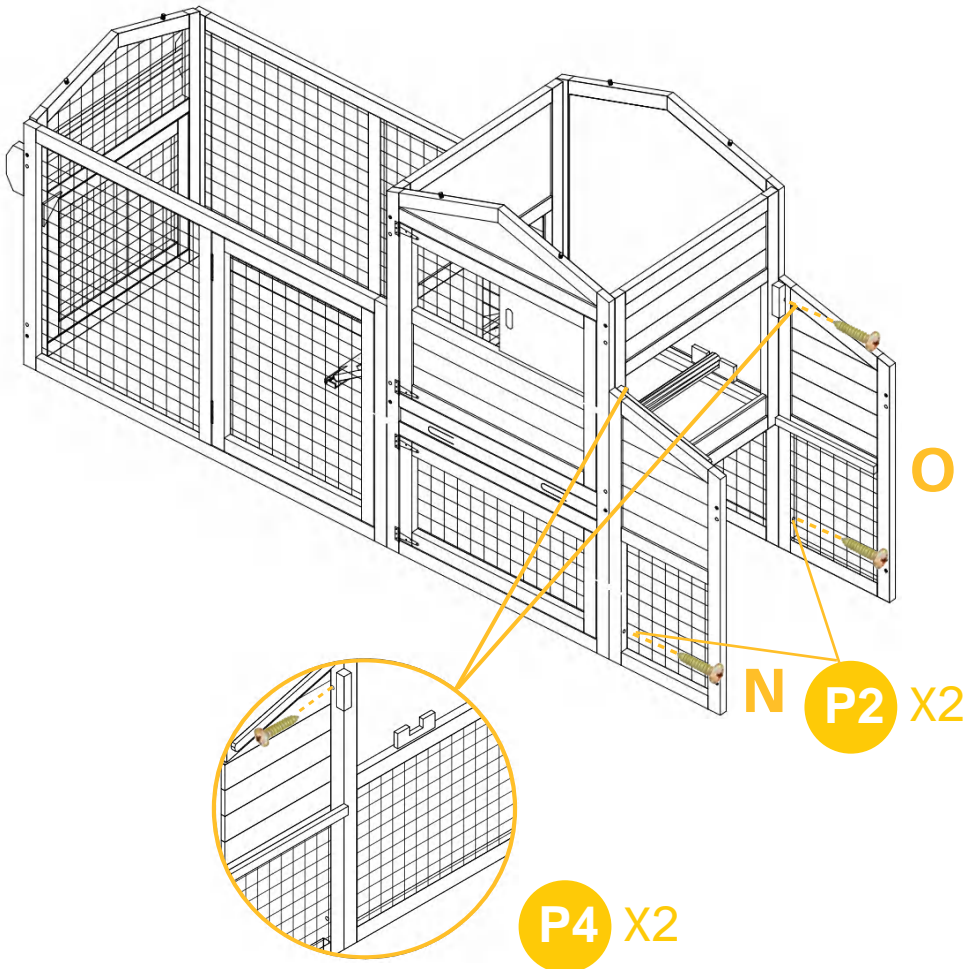
05

Attach the side panel Part L to front and back panel by 4xP3 screws.
Attach the push handle Part M to the side panel Part L by 4xP2 screws.



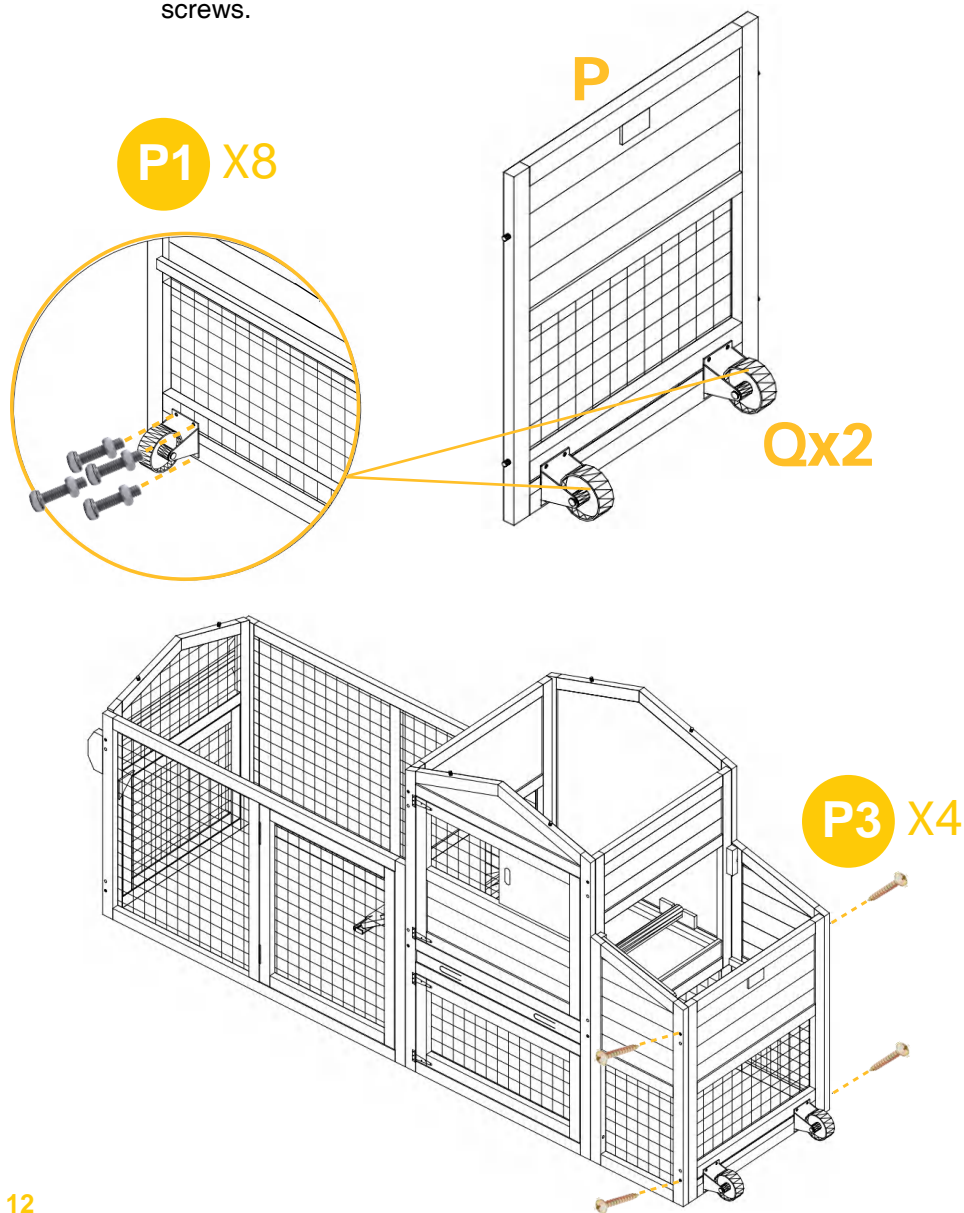
PRODUCT ASSEMBLY //

- 06** Attach the side panel of nesting box Part N&O to the coop by 1xP2 & 1xP4 screws each side.
(Notice screw the P4 from inside in the upper position, screw the P2 from outside in the down position)



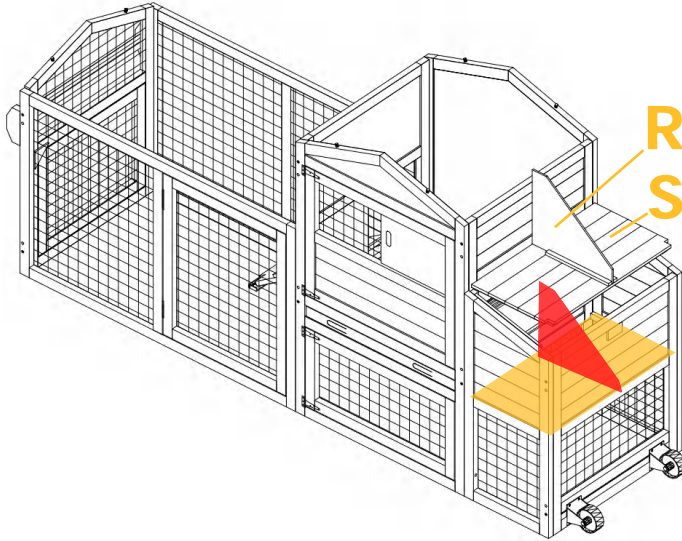
PRODUCT ASSEMBLY //

- 07** Bolt the caster Part Q to the side panel of nesting box Part P by 4xP1 screws each.
Attach the side panel of nesting box Part P to the sides by 4xP3 screws.

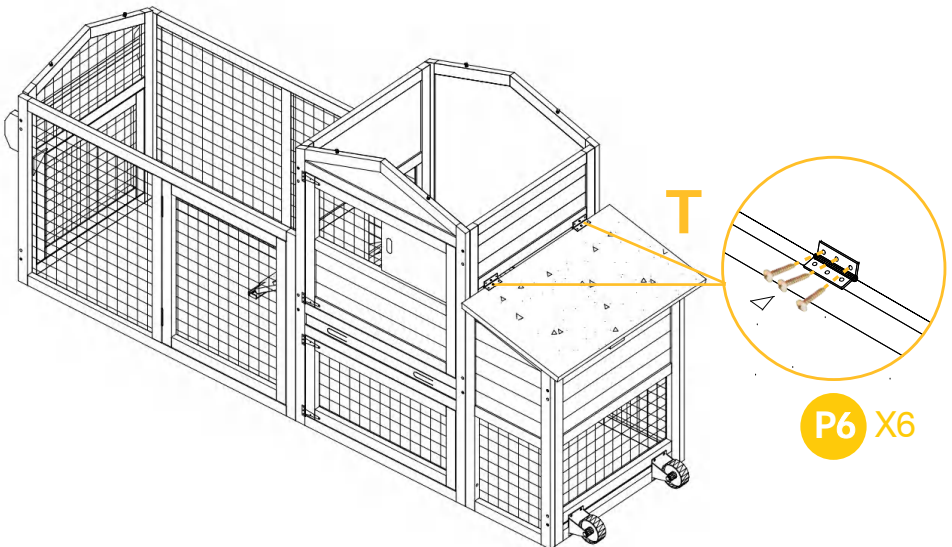


PRODUCT ASSEMBLY

- 08** Drop in bottom of nesting box Part S.
Slide in divider Part R.

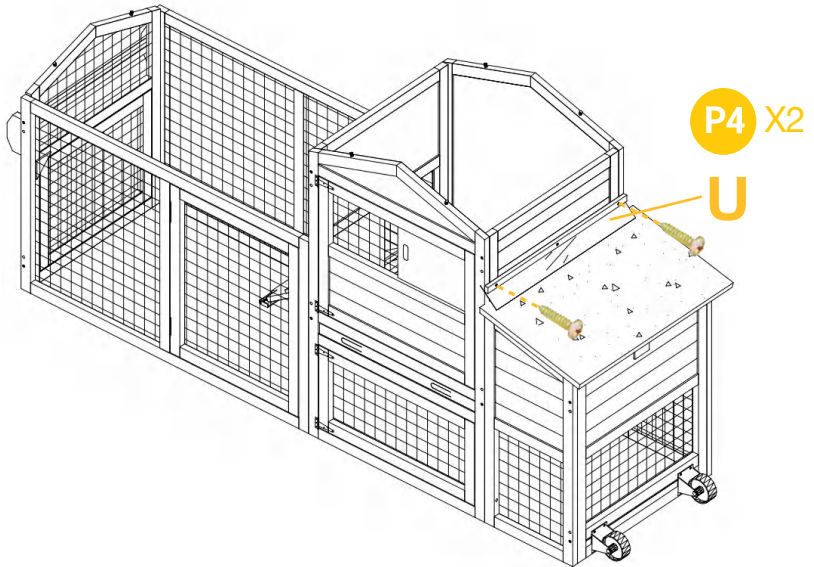


- 09** Make sure the lock is functioning properly before locking the roof.
Attach the roof of nesting box Part T by 6XP6 screws.

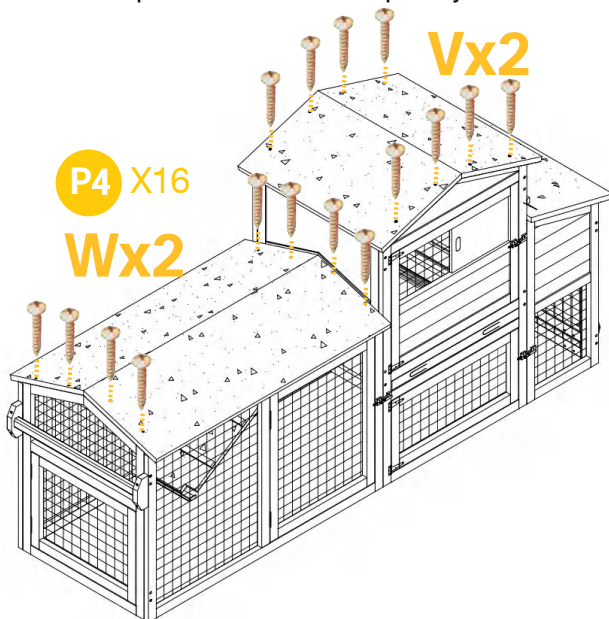


PRODUCT ASSEMBLY //

- 10** Attached PVC Waterproof Strip Part U to the nesting box by 2XP4 screws.

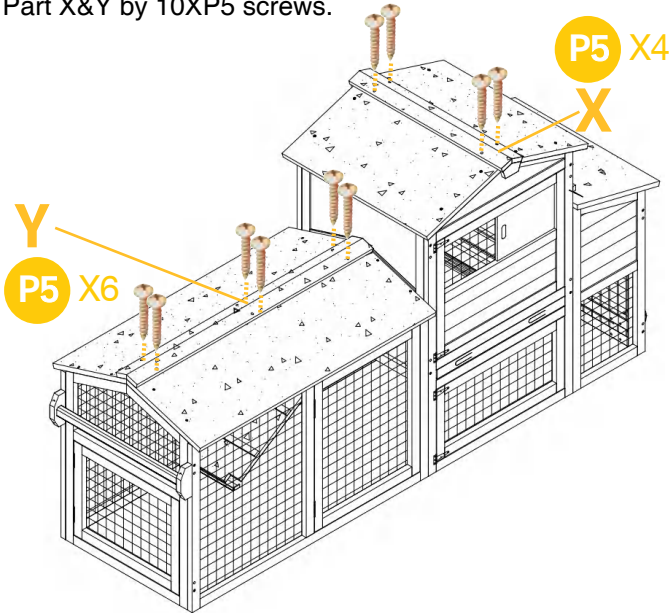


- 11** Attach roof panels Part V to the coop by 8xP4 screws. Attach roof panels Part W to the pen by 8xP4 screws.

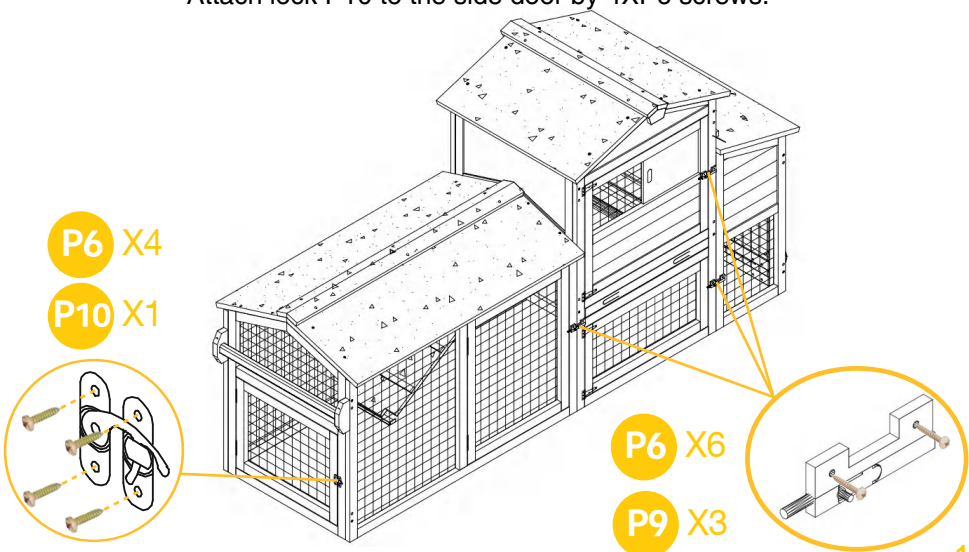


PRODUCT ASSEMBLY //

- 12** Ensure top roof panels line up with each other before screwing roof caps Part X&Y by 10XP5 screws.



- 13** Attach the spring latch P9 to the doors by 2xP6 screws each. (Notice the direction of latch)
Attach lock P10 to the side door by 4XP6 screws.



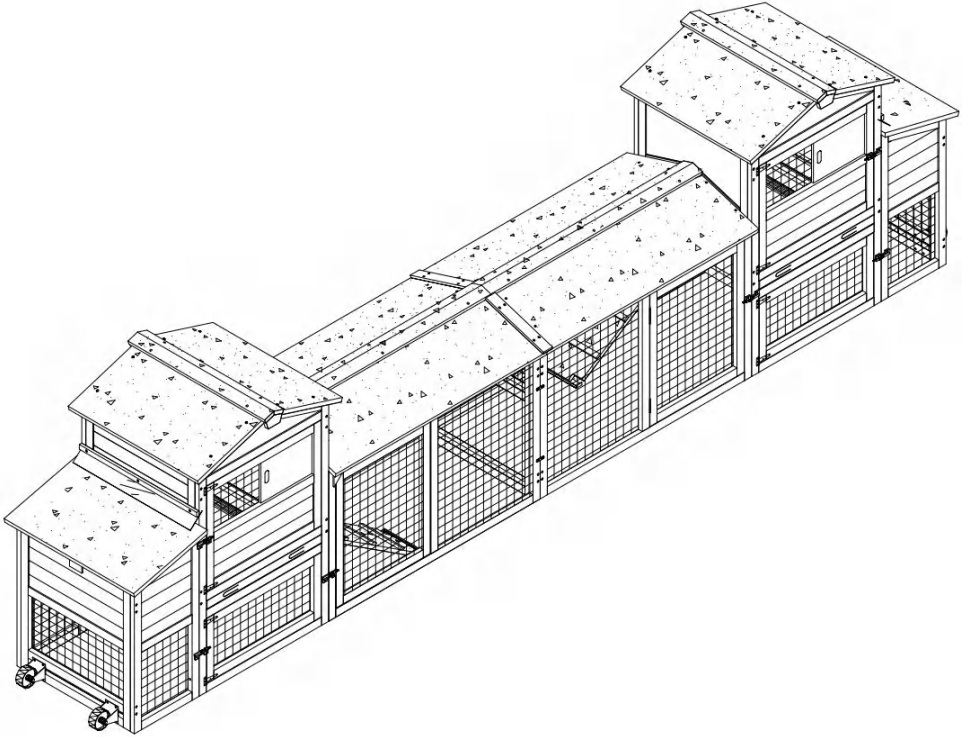
Finish here for only buying one coop

Notice

Read Before Assemble!

Pls ignore the following for only one coop owner !

The side pen panel Part L, the push handle Part M ,the pen lock P10 are not needed in 2nd coop.



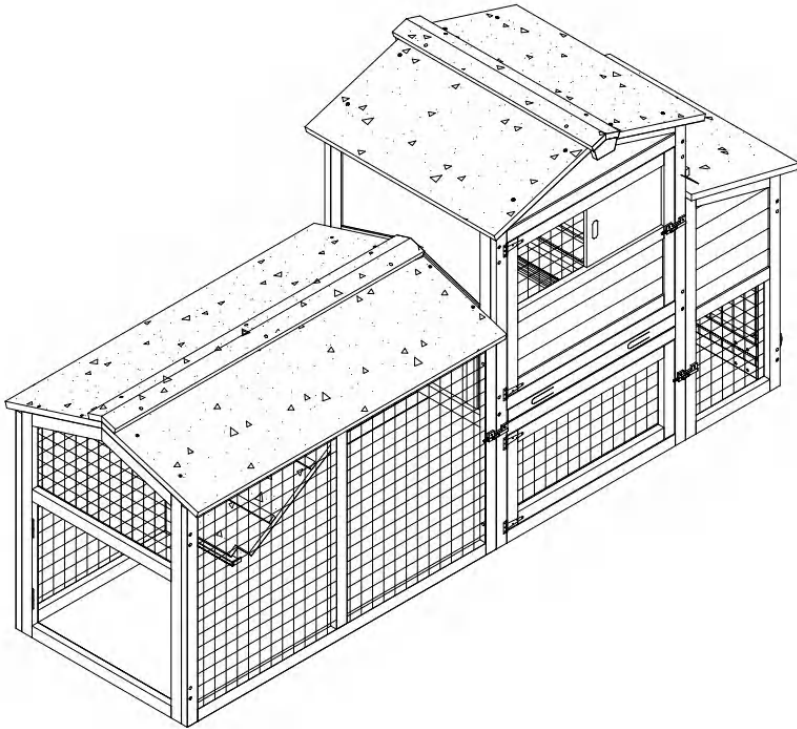
Notice

Read Before Assemble!

The following pages are assemble steps for 2nd coop.

The casters, the side pen panel Part L, the push handle Part M, the pen lock P10 are not needed in 2nd coop.

The assemble direction of the hutch Part C &D, are different pls notice.



PRODUCT ASSEMBLY //

14

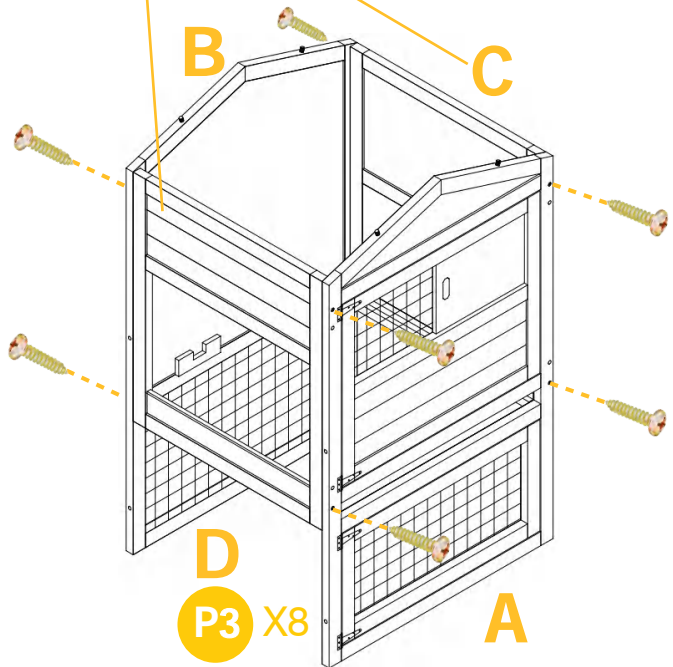
Attach the front Part A, the back Part B to the side panels Part D & C by 8xP3 screws.

Repeat the same assembly ways from step 2-step12 the same as the 1st coop.



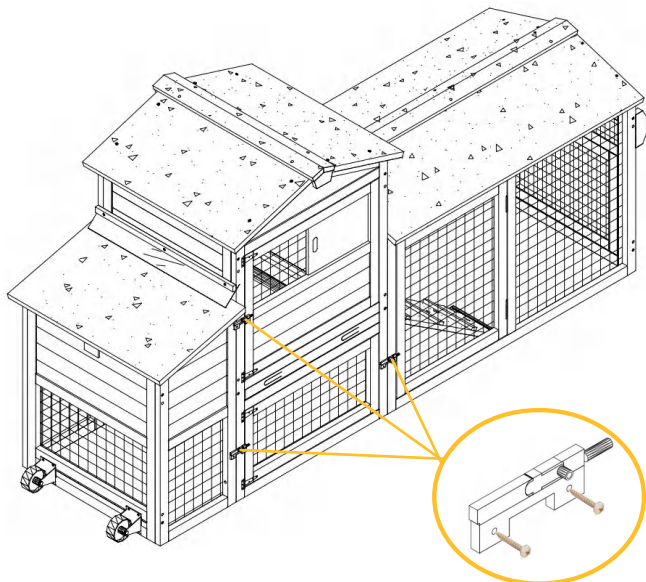
Notice the direction of Part C & D is different with the 1st coop.

(Very important !)



PRODUCT ASSEMBLY //

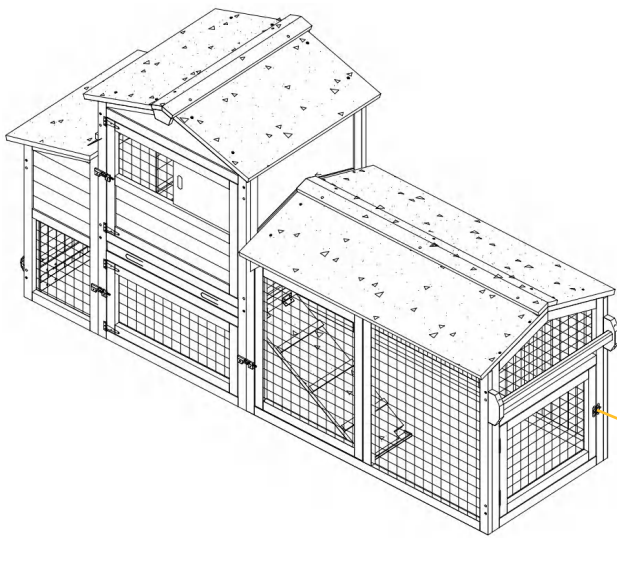
- 15** Attach the spring latch P9 to the doors by 2xP6 screws each.
(Notice the direction of latch)



P6 X6

P9 X3

- 16** Attach lock P10 to the side door by 4XP6 screws.



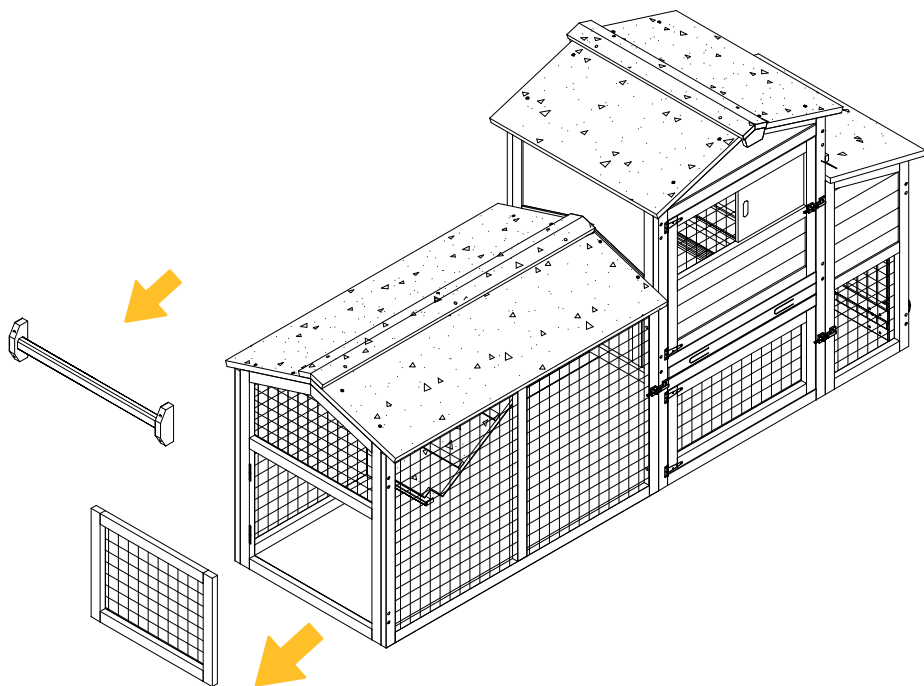
P6 X4

P10 X1

Finish here for the second coop assemble

Two sets of chicken coop combination

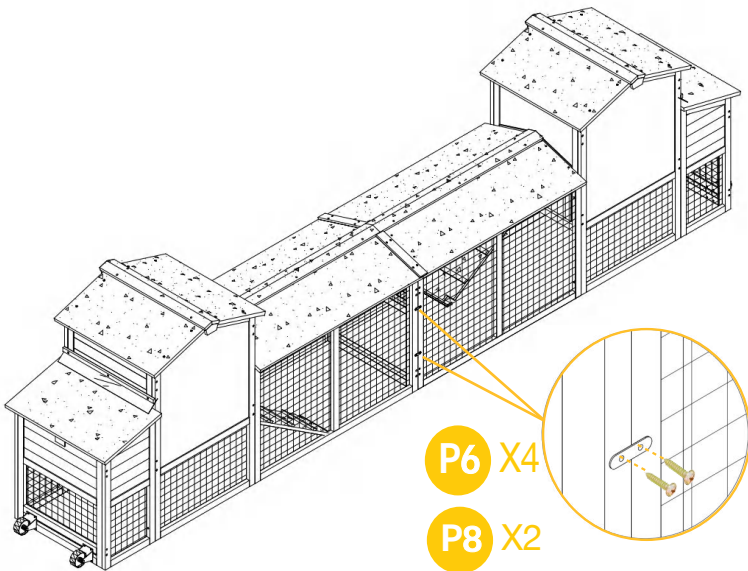
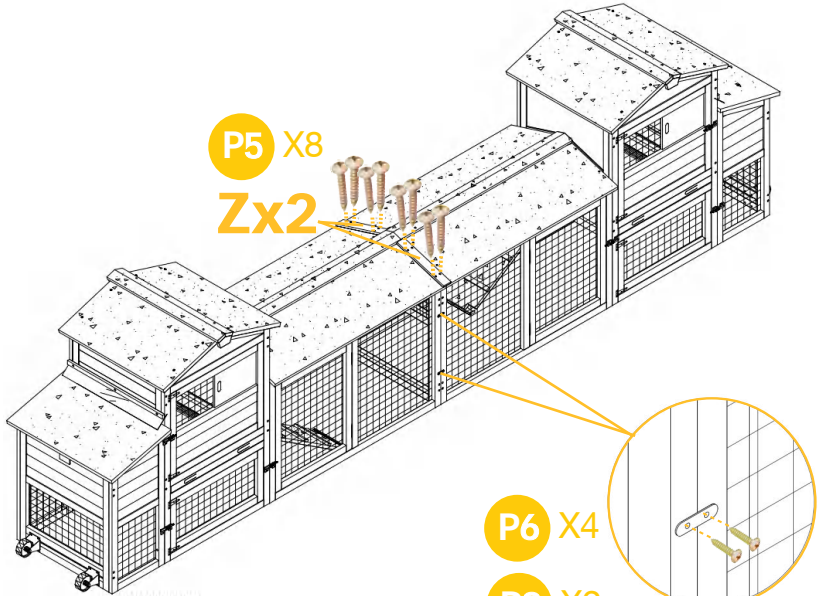
17 Take out push handle and small door of both coops.



OPTION 1

18

Screw the Connect Piece 2xP8 to the middle frame of the 2 coops by 4xP6 each side.
Attach the roof connect slat Part Z by 8xP5.





WARNING

Manufacturer and seller expressly disclaim any and all liability for personal injury, property damage or loss, whether direct, indirect, or incidental, resulting from the incorrect attachment, improper use, inadequate maintenance, or neglect of this product.