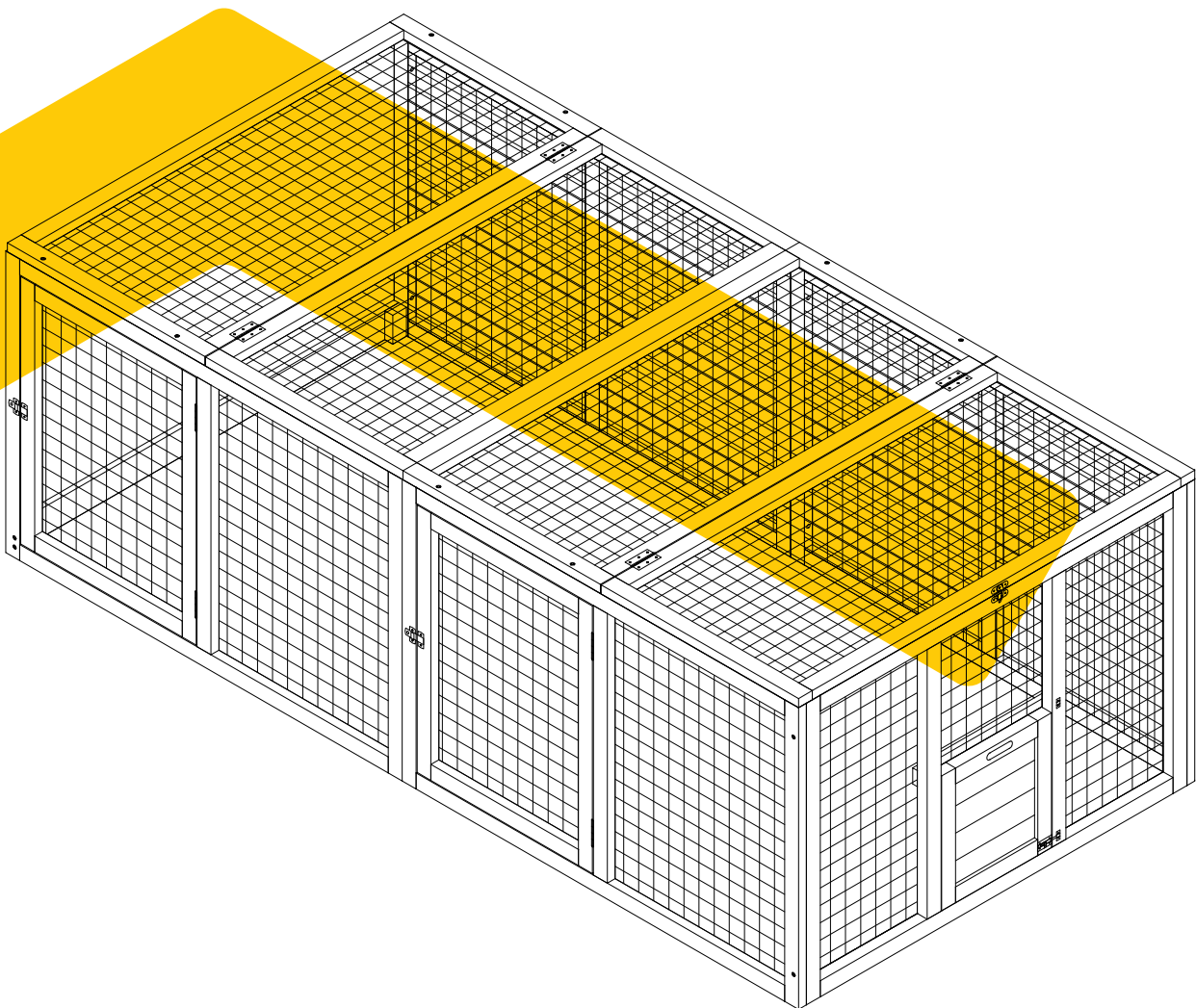


# INSTRUCTION MANUAL

AIR 60





## NOTICE

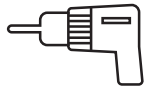
Please retain these instructions for future

- Firmly secure all bolts, screws and knobs before use.
- Reconfirm that all bolts, screws, and knobs are secure every 90 days.
- Fasten screws loosely during initial assembly. Do not fully tighten screws until the item is completely assembled.
- Do not use or store this item in the proximity of open flame or flammable/combustible chemicals.
- Be aware that some parts are heavy and have sharp edges.
- Be aware that moving parts can injure, crush and cut.
- If any parts are missing, broken, damaged, or worn, stop using this product until repairs are made and/or factory replacement parts are installed.
- Do not use this item in a way inconsistent with the manufacturer's instructions as this could void the product warranty.

## TOOLS REQUIRED



PHILLIPS  
SCREWDRIVER



DRILL  
(RECOMMENDED)



2PERSON  
ASSEMBLY



APPROXIMATELY  
60MIN. ASSEMBLY

## HARDWARE

M3.5x60 mm SCREW  
4PCS+1 spare



P2

M3.5x35 mm SCREW  
8PCS+1 spare



P4

M3.0x16 mm SCREW  
4PCS+1 spare



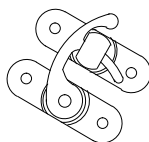
P6

M4.0x40 mm BOLT  
8PCS+1 spare



P8

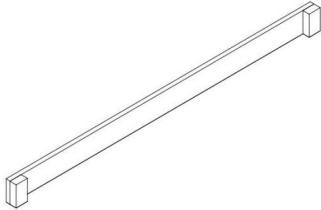
Latch  
1PC



P9

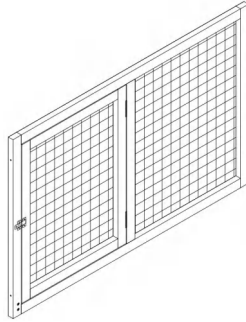
# PARTS

Bottom plate  
1PC



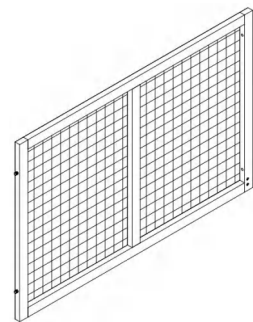
**N**

Left pen panel  
(close to the hutch)  
1PC



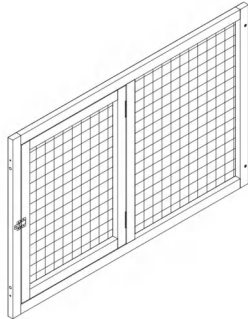
**O**

Right pen panel  
(close to the hutch)  
1PC



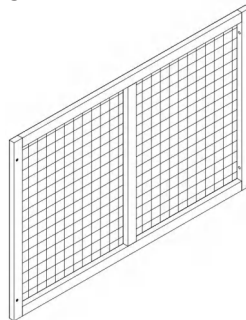
**P**

Left pen panel  
(outside)  
1PC



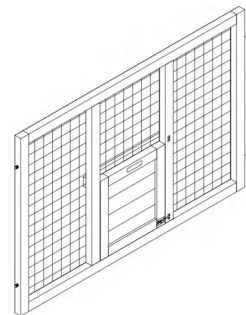
**Q**

Right pen panel  
(outside)  
1PC



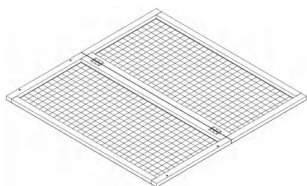
**R**

Side panel of pen  
1PC



**S**

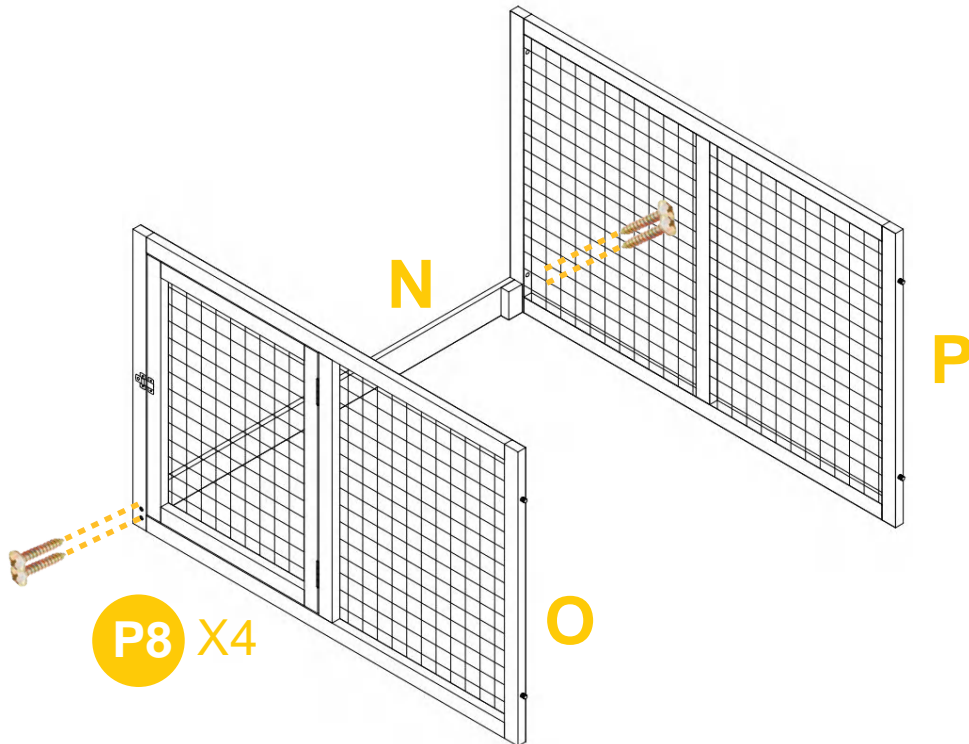
Roof of pen  
2PCS



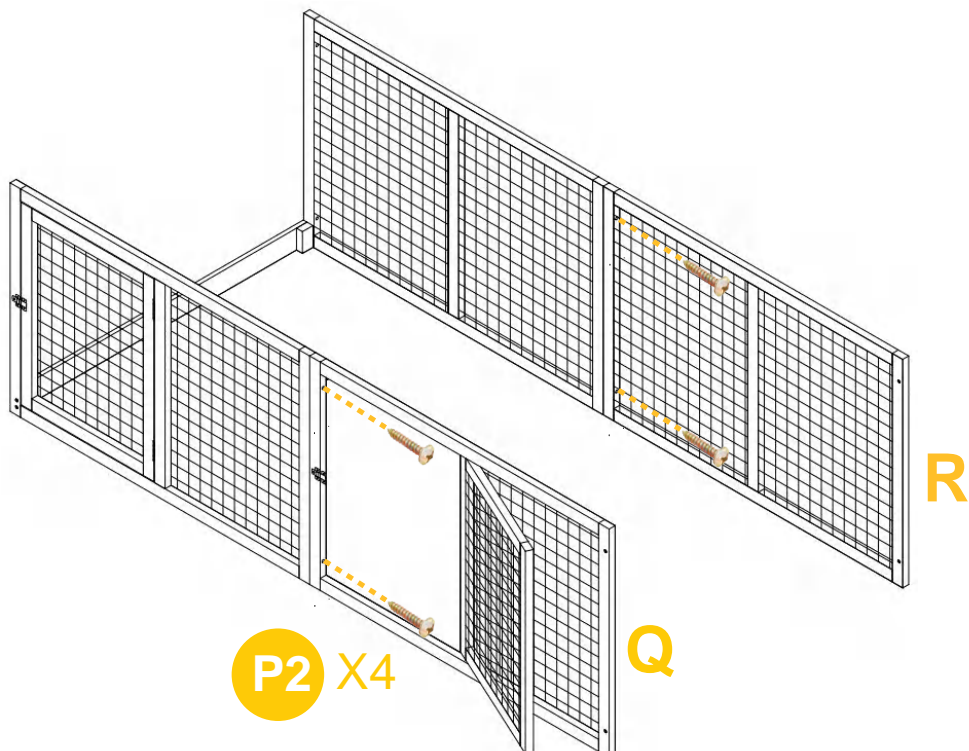
**T**

# PRODUCT ASSEMBLY

**01** Attach Part O & P to Part N by 4xP8 screws.

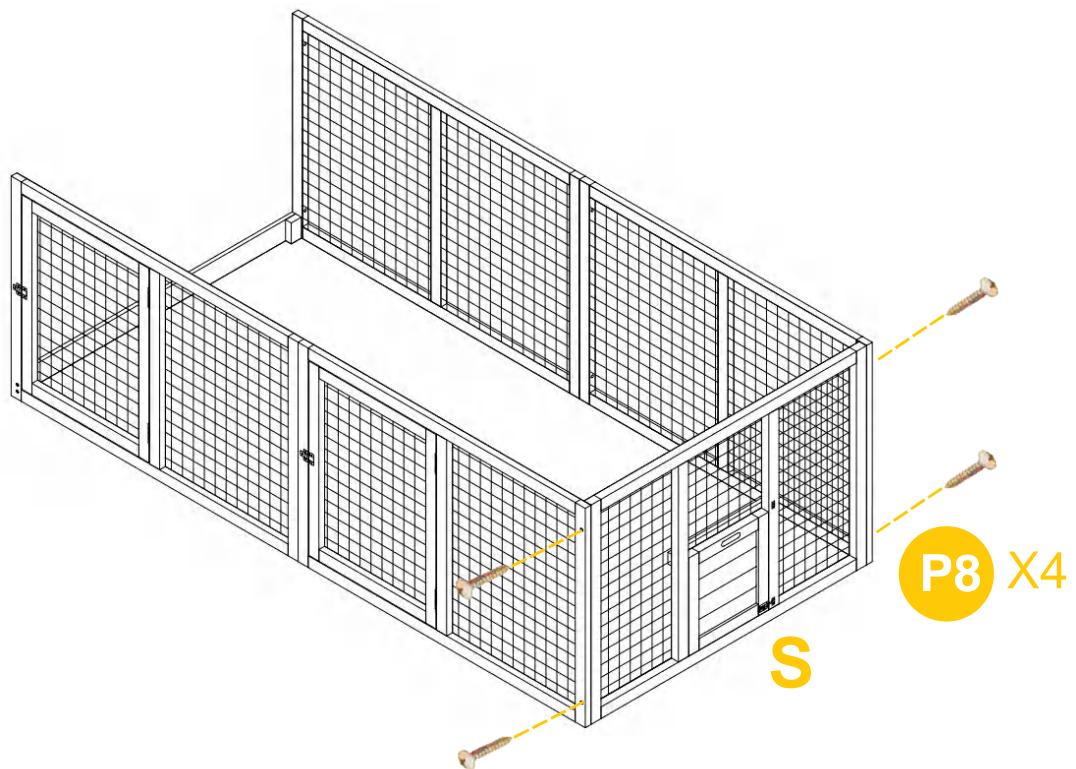


**02** Attach Part Q & R by 4xP2 screws.

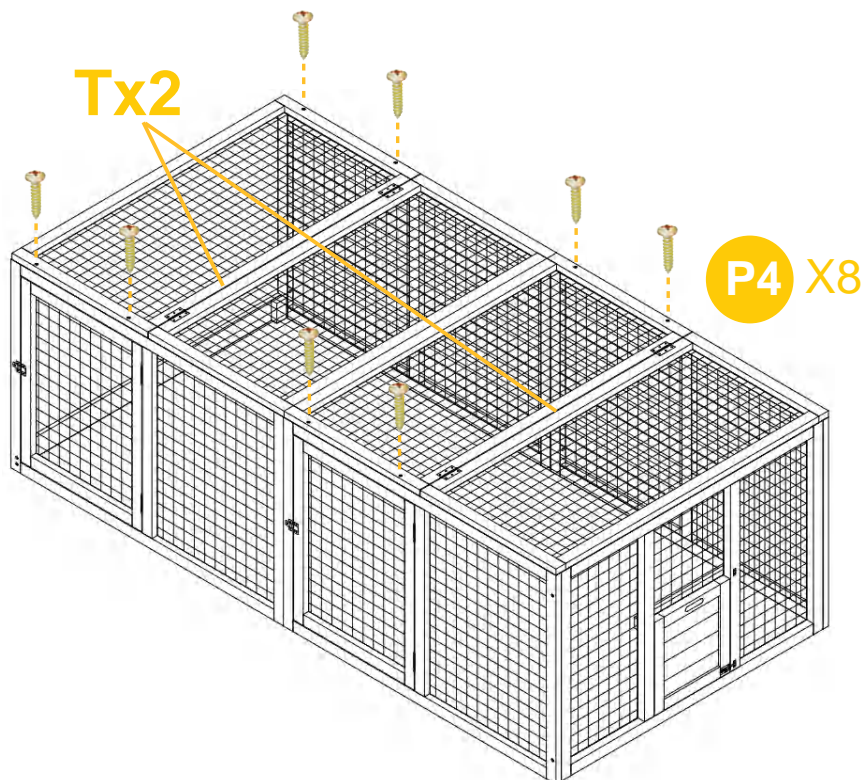


## PRODUCT ASSEMBLY

**03** Attach front panel Part S by 4xP8 screws.

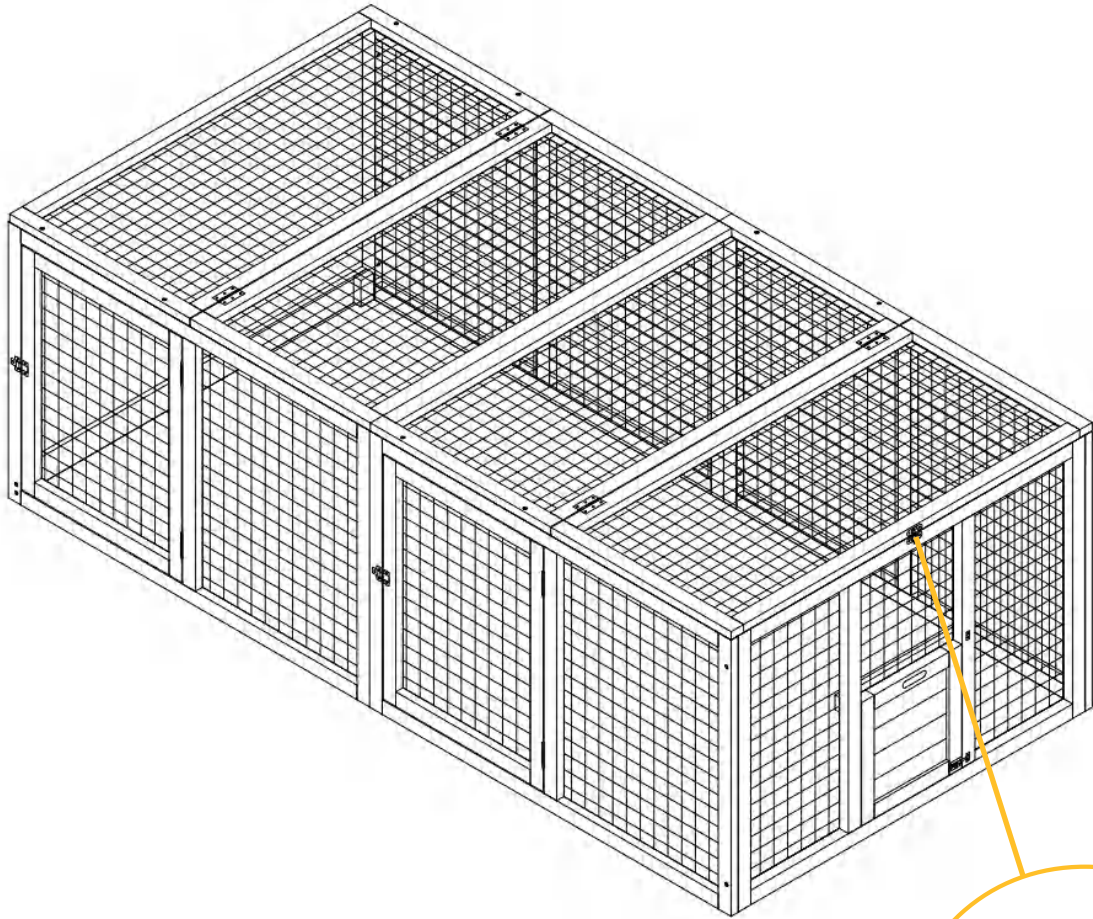


**04** Attach pen roof 2xPart T by 8xP4 screws.



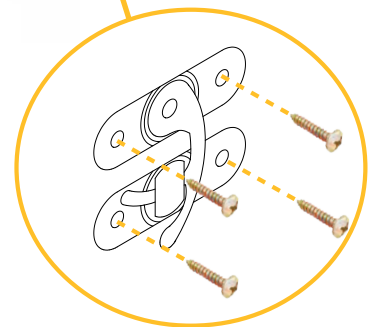
## PRODUCT ASSEMBLY

**05** Attach the lock P9 by 4XP6.



**P6** X4

**P9** X1





**WARNING**

Manufacturer and seller expressly disclaim any and all liability for personal injury, property damage or loss, whether direct, indirect, or incidental, resulting from the incorrect attachment, improper use, inadequate maintenance, or neglect of this