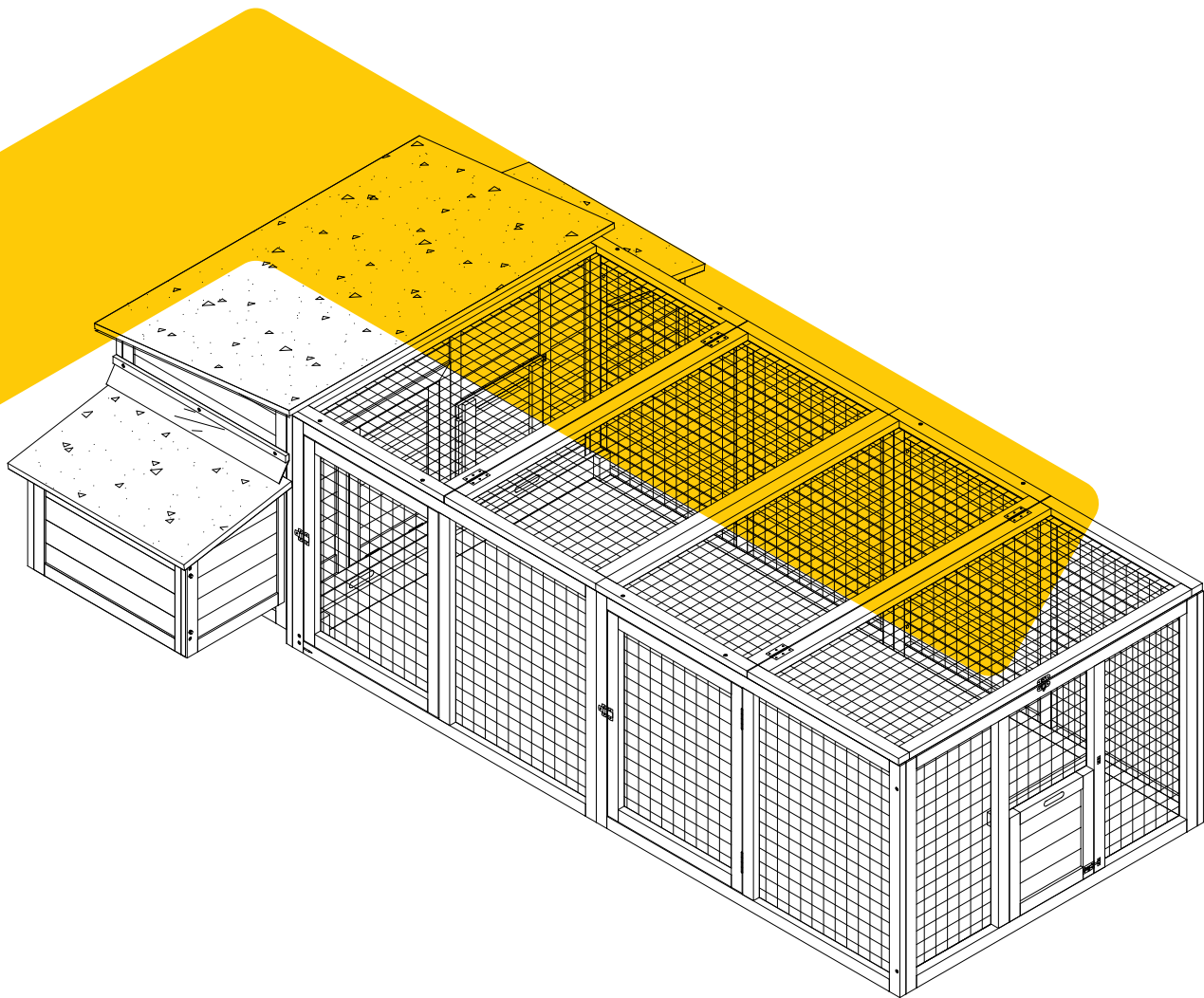


# INSTRUCTION MANUAL

AIR45





## NOTICE

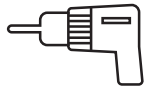
Please retain these instructions for future

- Firmly secure all bolts, screws and knobs before use.
- Reconfirm that all bolts, screws, and knobs are secure every 90 days.
- Fasten screws loosely during initial assembly. Do not fully tighten screws until the item is completely assembled.
- Do not use or store this item in the proximity of open flame or flammable/combustible chemicals.
- Be aware that some parts are heavy and have sharp edges.
- Be aware that moving parts can injure, crush and cut.
- If any parts are missing, broken, damaged, or worn, stop using this product until repairs are made and/or factory replacement parts are installed.
- Do not use this item in a way inconsistent with the manufacturer's instructions as this could void the product warranty.

# TOOLS REQUIRED



PHILLIPS  
SCREWDRIVER



DRILL  
(RECOMMENDED)



2PERSON  
ASSEMBLY



APPROXIMATELY  
60MIN. ASSEMBLY

# HARDWARE

M6.0x50 mm BOLT  
8PCS+1 spare



P1

M4.0x40 mm SCREW  
24PCS+1 spare



P2

M3.5x60 mm SCREW  
8PCS+1 spare



P3

M3.5x35 mm SCREW  
8PCS+1 spare



P4

M3.5x25 mm SCREW  
6PCS+1 spare



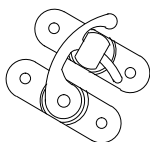
P5

M3.0x16 mm SCREW  
32PCS+1 spare



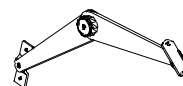
P6

Latch  
1PC



P7

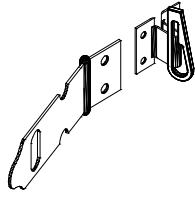
Hinge  
2PCS



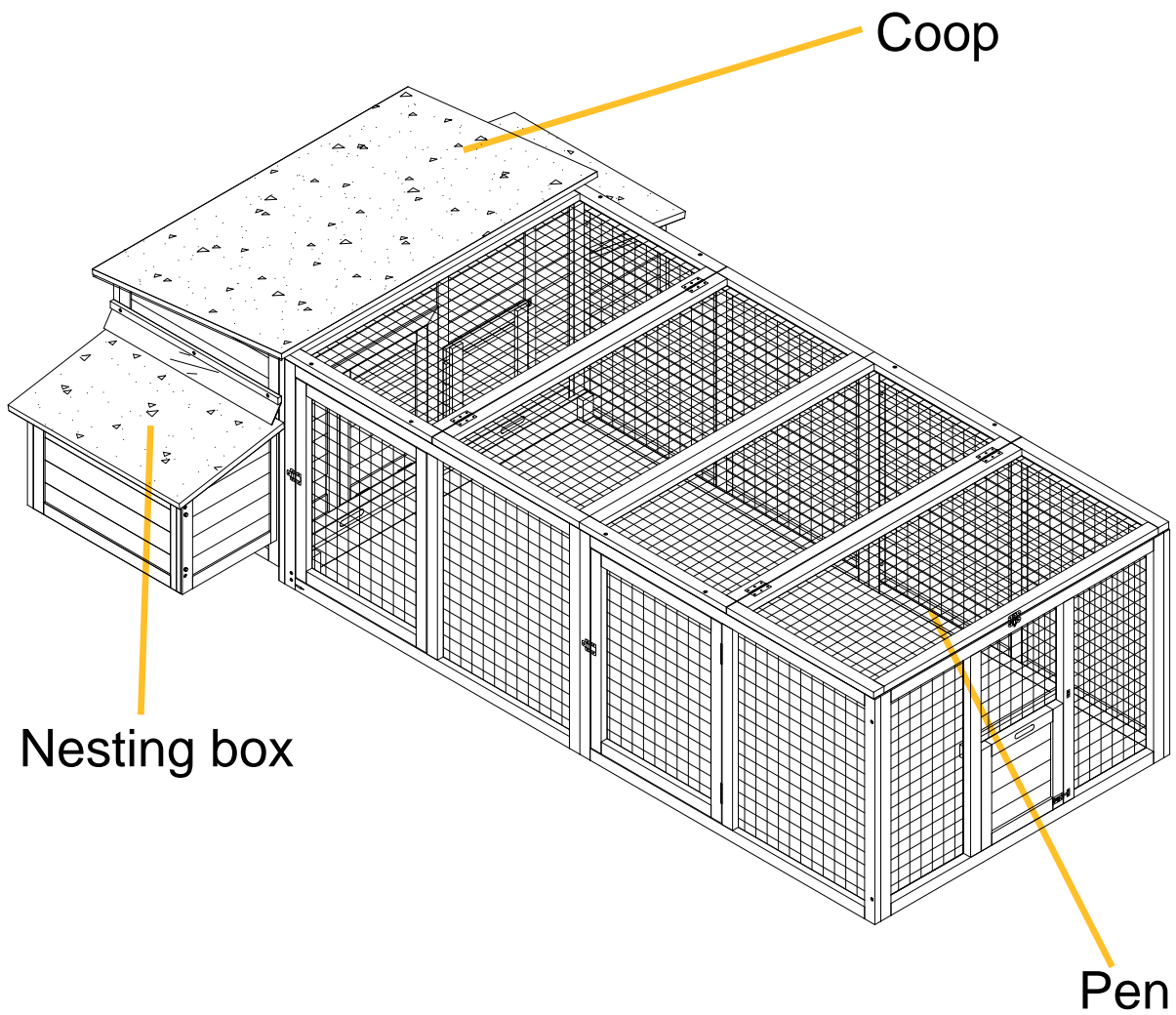
P8

# HARDWARE

Lock  
1PC



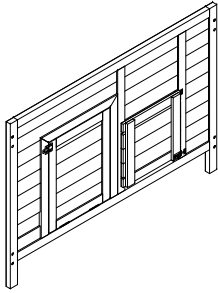
P9



# PARTS

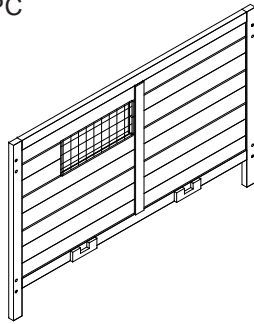
## CARTON 1/2

Front panel  
1PC



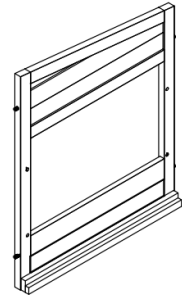
A

Back panel  
1PC



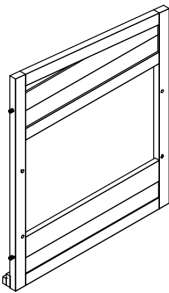
B

Left panel  
1PC



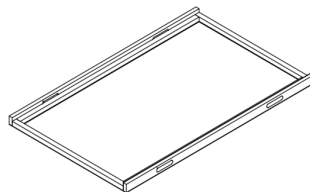
C

Right panel  
1PC



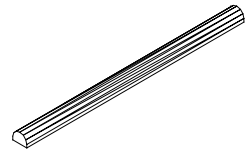
D

Tray  
1PC



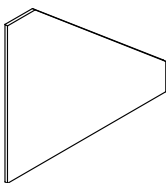
E

Perch  
2PCS



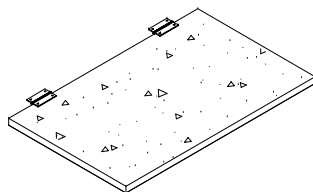
F

Divider of nesting box  
2PCS



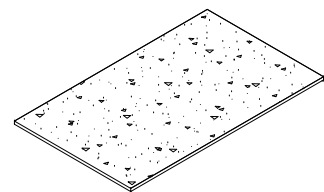
J

Roof of nesting box  
2PCS



K

Roof of coop  
1PC



L

# PARTS

## CARTON 2/2

Left panel of nesting box  
2PCS



**G1**

Right panel of nesting box  
2PCS



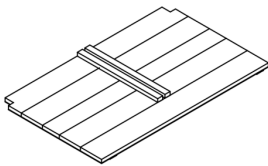
**G2**

Front panel of nesting box  
2PCS



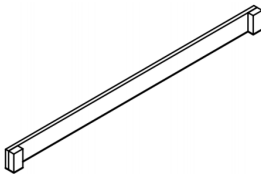
**H**

Bottom of nesting box  
2PCS



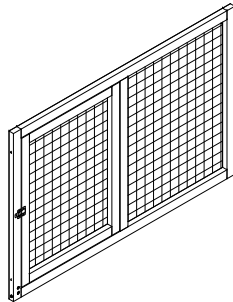
**I**

Bottom plate  
1PC



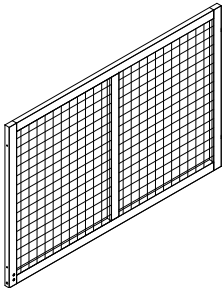
**M**

Left pen panel  
(close to the hutch)  
1PC



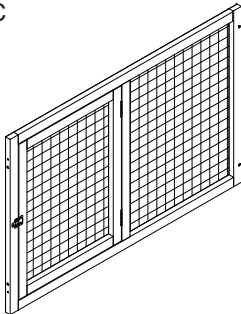
**N**

Right pen panel  
(close to the hutch)  
1PC



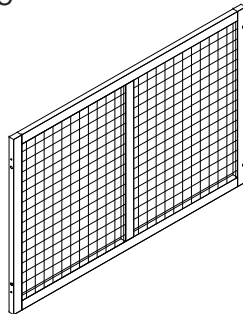
**O**

Left pen panel  
(outside)  
1PC



**P**

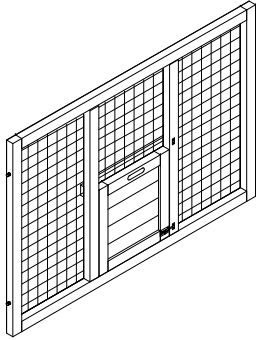
Right pen panel  
(outside)  
1PC



**Q**

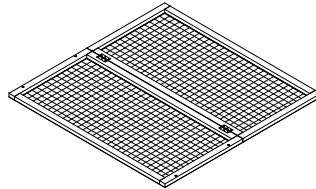
# PARTS

Side panel of pen  
1PC



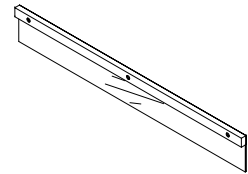
R

Roof of pen  
2PCS



S

PVC Waterproof Strip  
2PCS



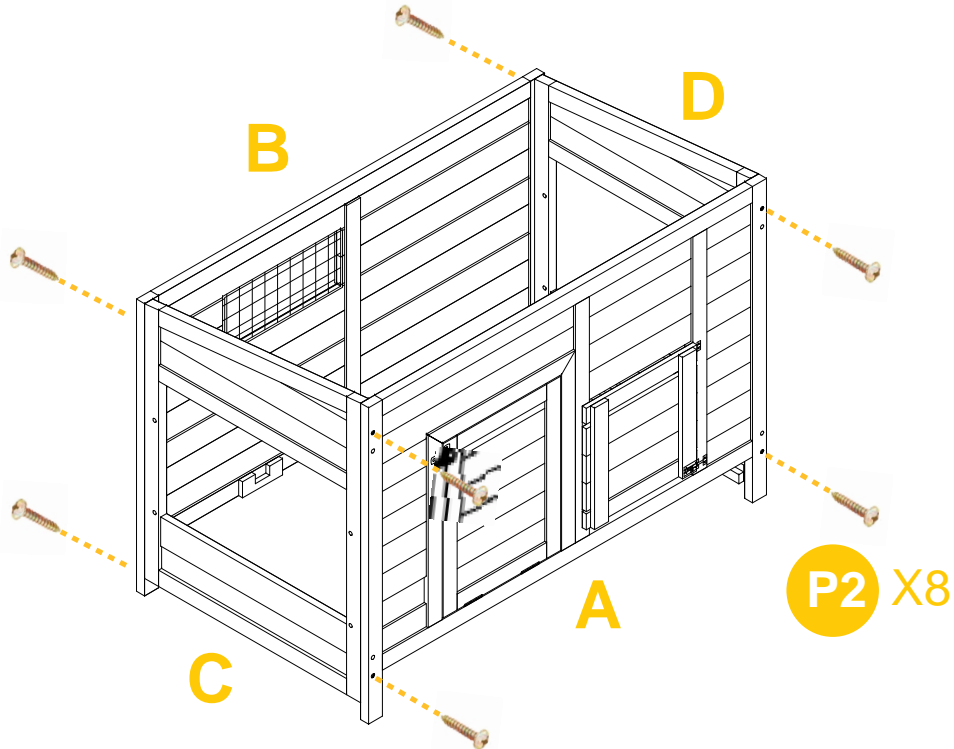
T

Hardware bag

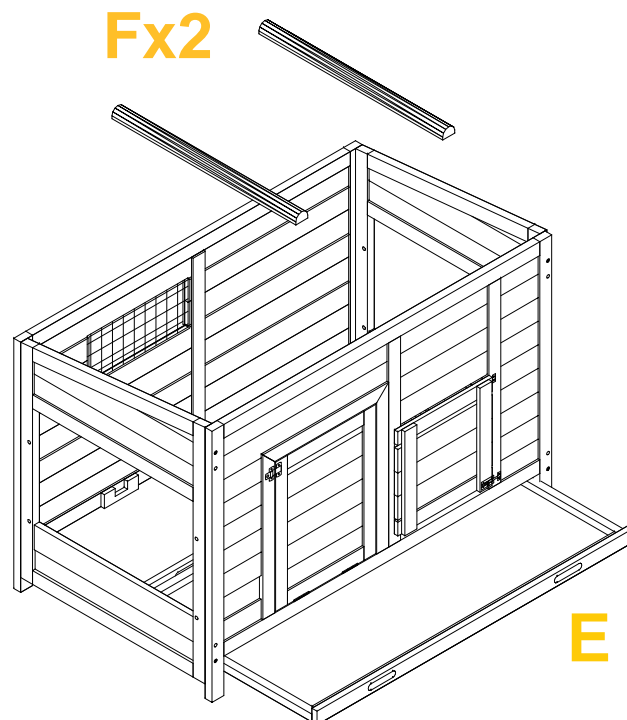


## PRODUCT ASSEMBLY

**01** Attach the front & back panel Part A & B to the side panel Part C & D by 8xP2.



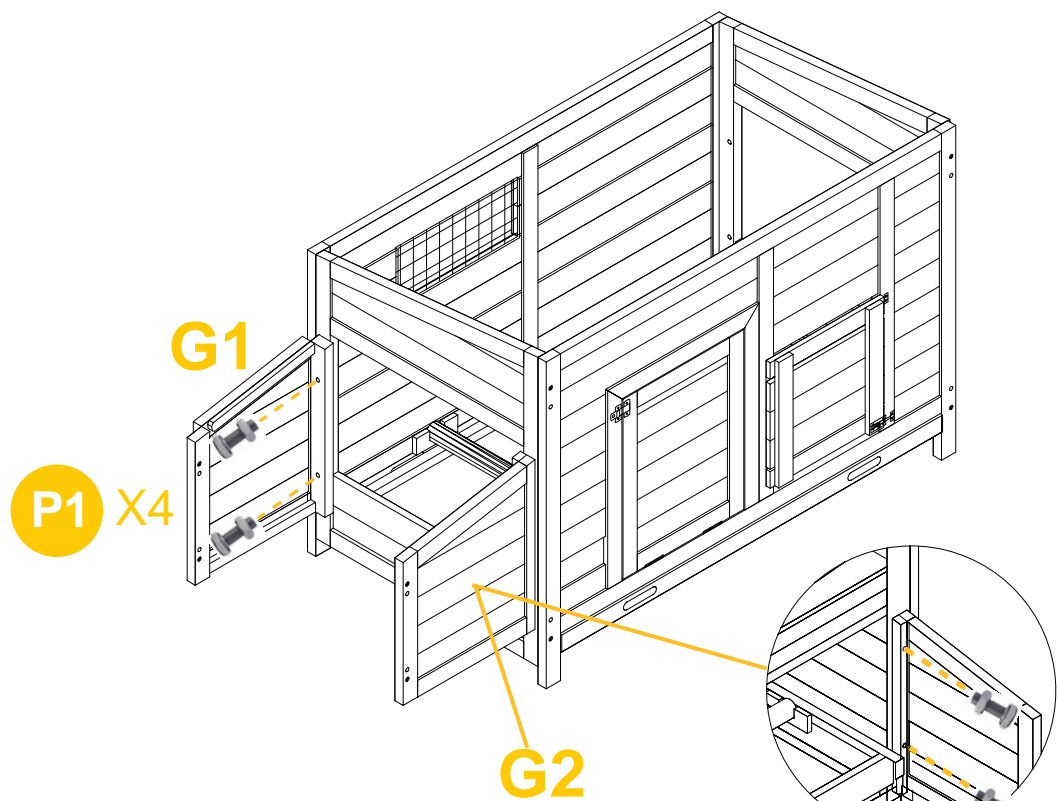
**02** Slide in the metal tray Part E.  
Insert the perch Part F into the slots inside the front and back panel.



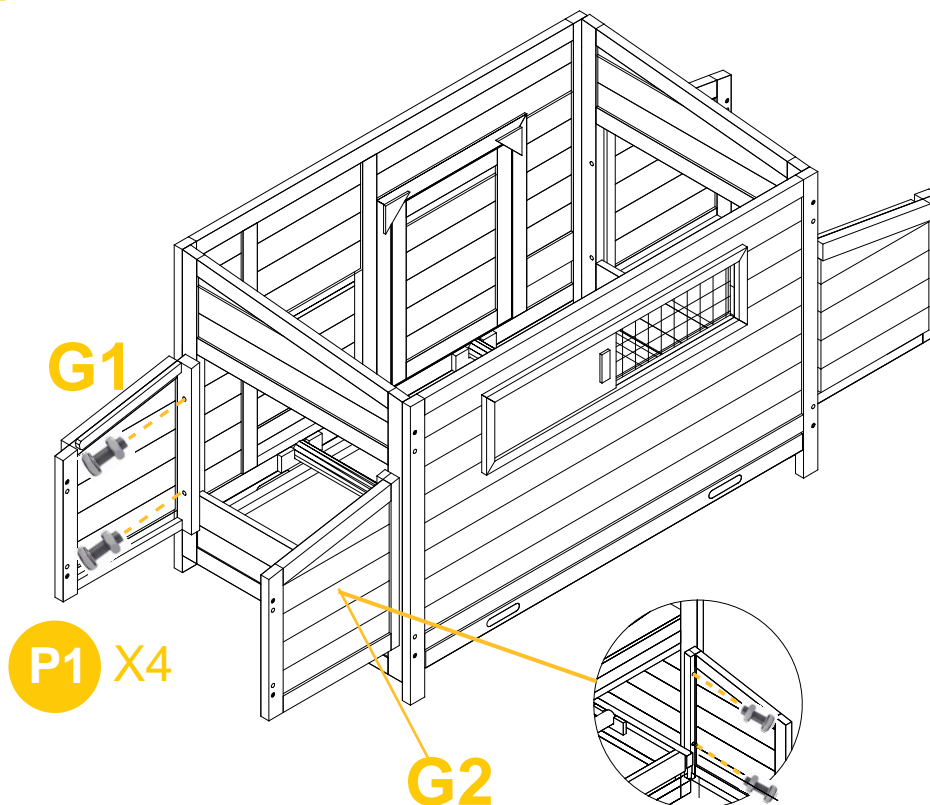


## PRODUCT ASSEMBLY

**03** Attach the side panels of nesting box Part G1 & G2 to the left side of coop by bolt 4xP1.

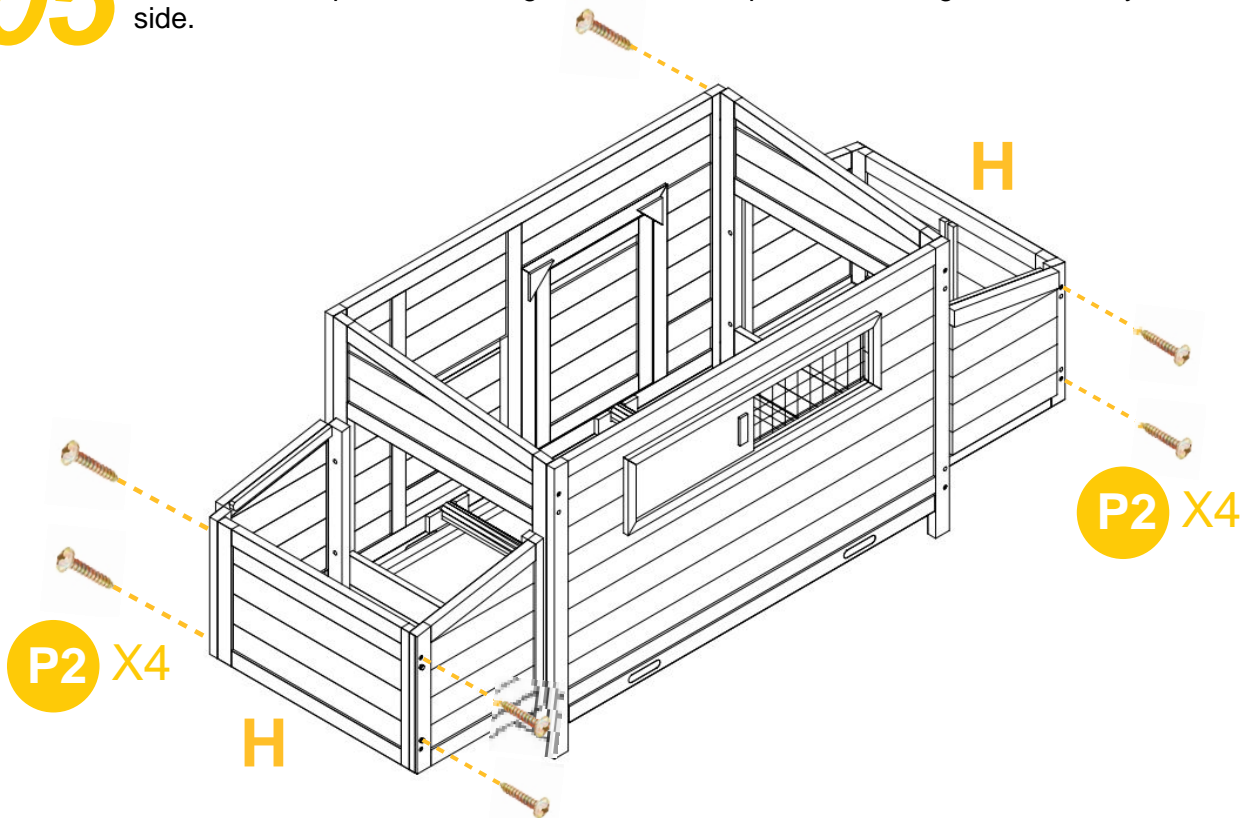


**04** Attach the side panels of nesting box Part G1 & G2 to the right side of coop by bolt 4xP1.

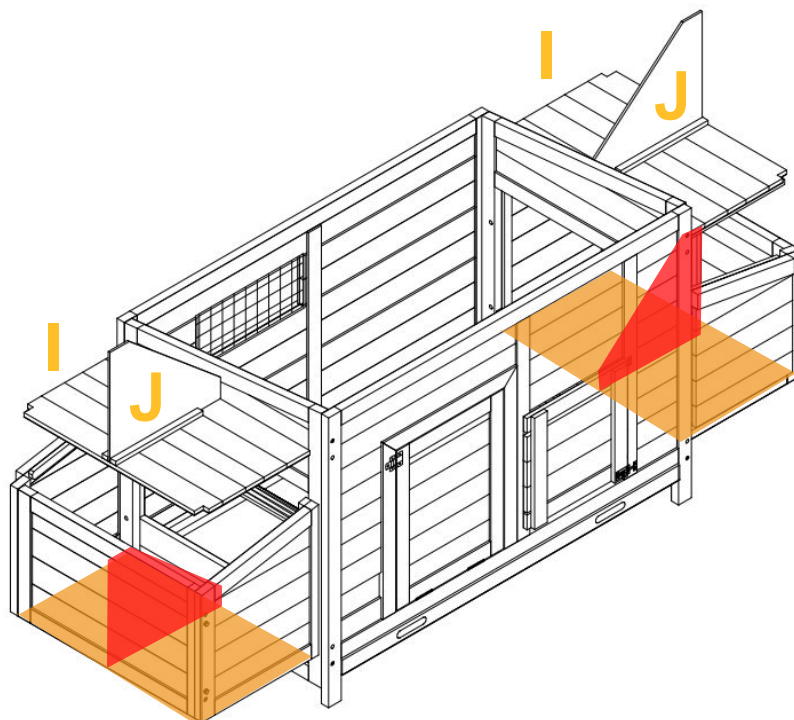


## PRODUCT ASSEMBLY

- 05** Screw the side panel of nesting box to the front panel of nesting box Part H by 4xP2 each side.

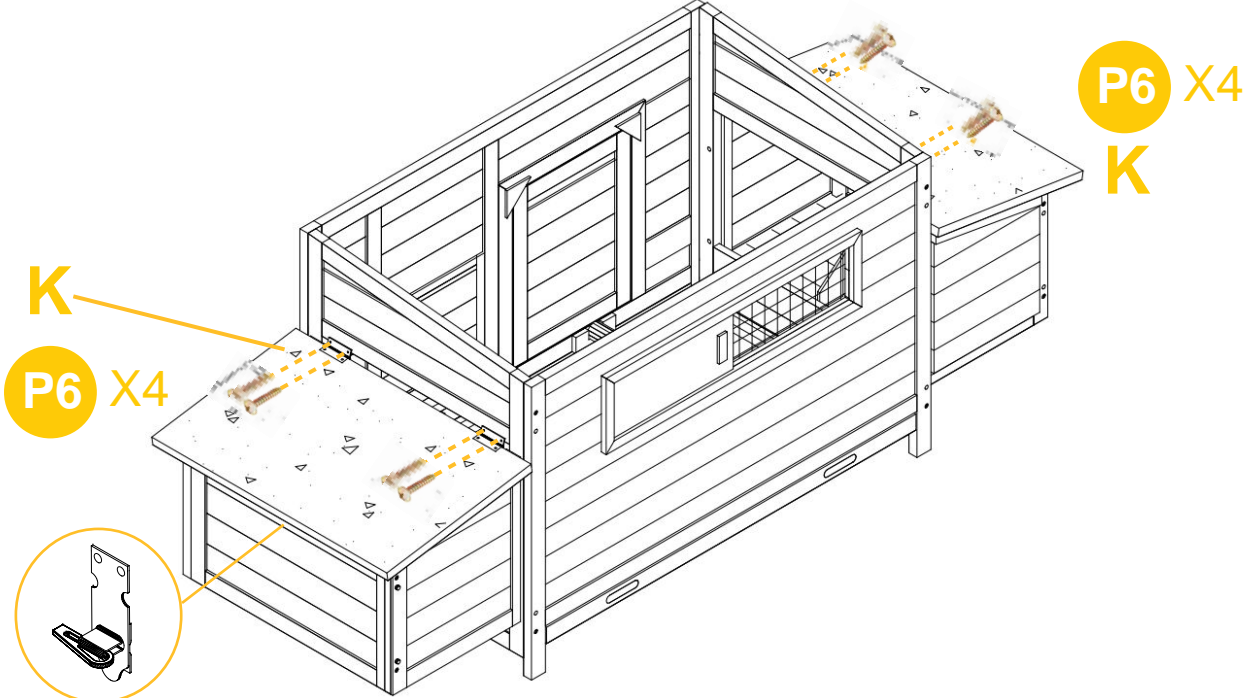


- 06** Drop in the bottom of nesting box Part I.  
Slide in the divider Part J.

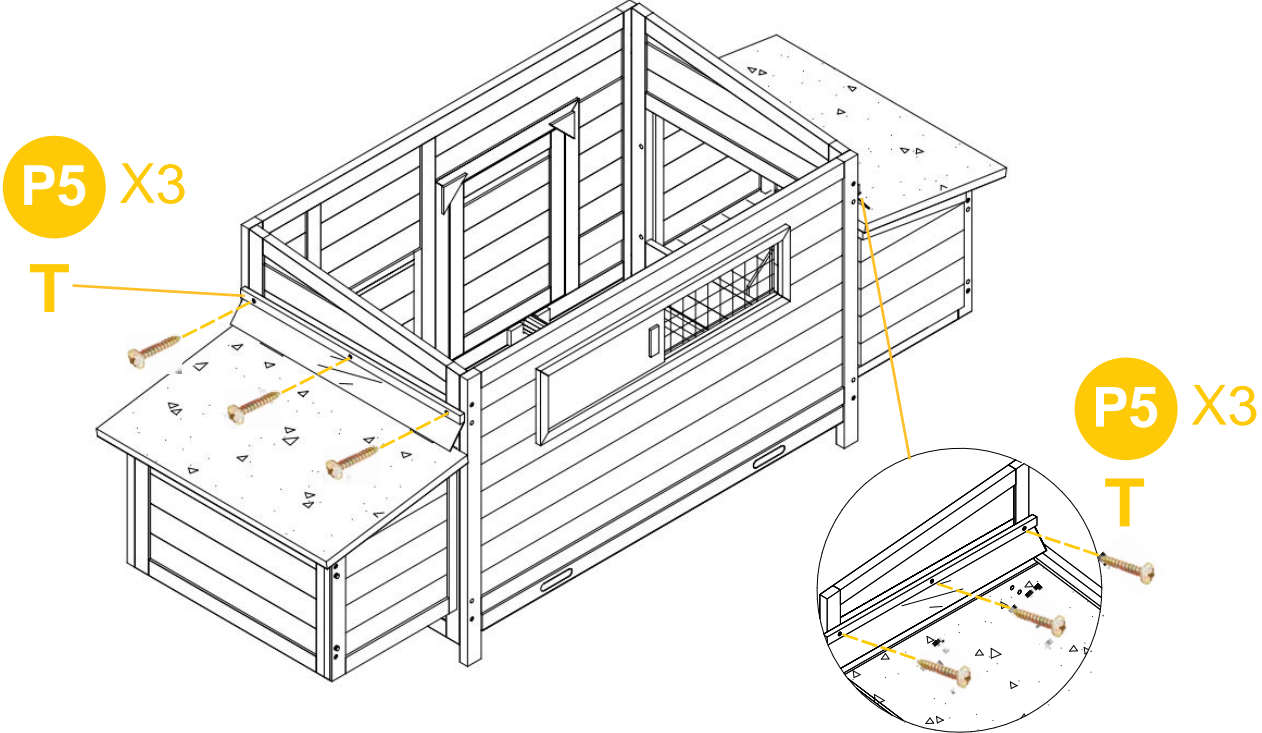


# PRODUCT ASSEMBLY

**07** Make sure the lock is functioning properly before locking the roof.  
Attach the nesting box roof Part K to the nesting box by 4xP6 each side.

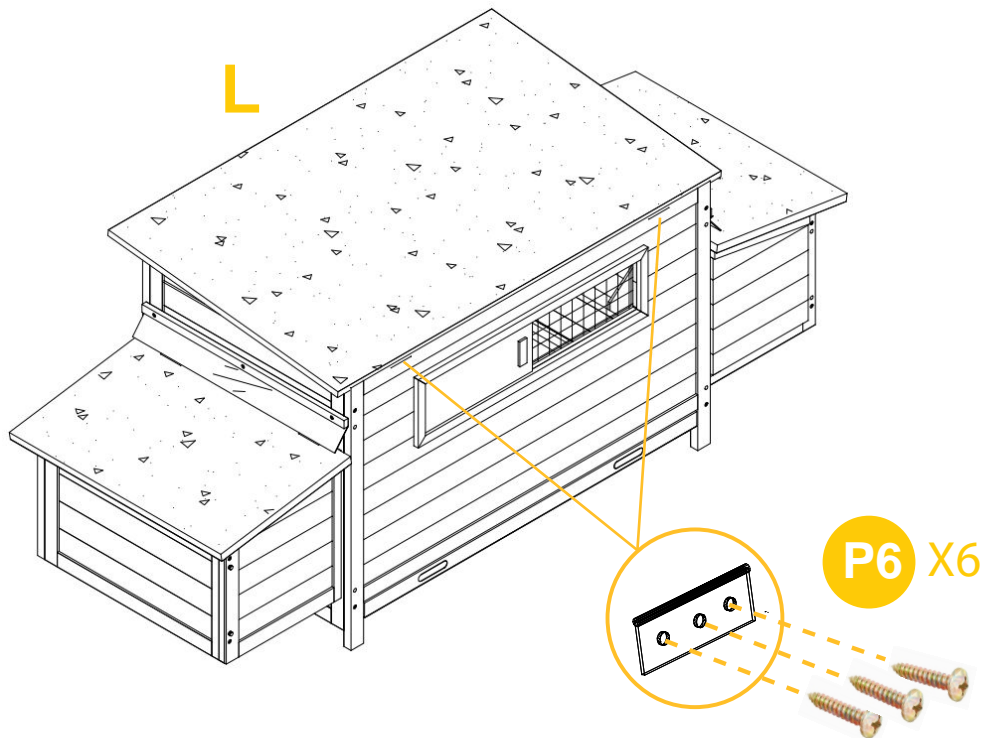


**08** Attached PVC Waterproof Strip Part T to the nesting box by 3xP5 each.

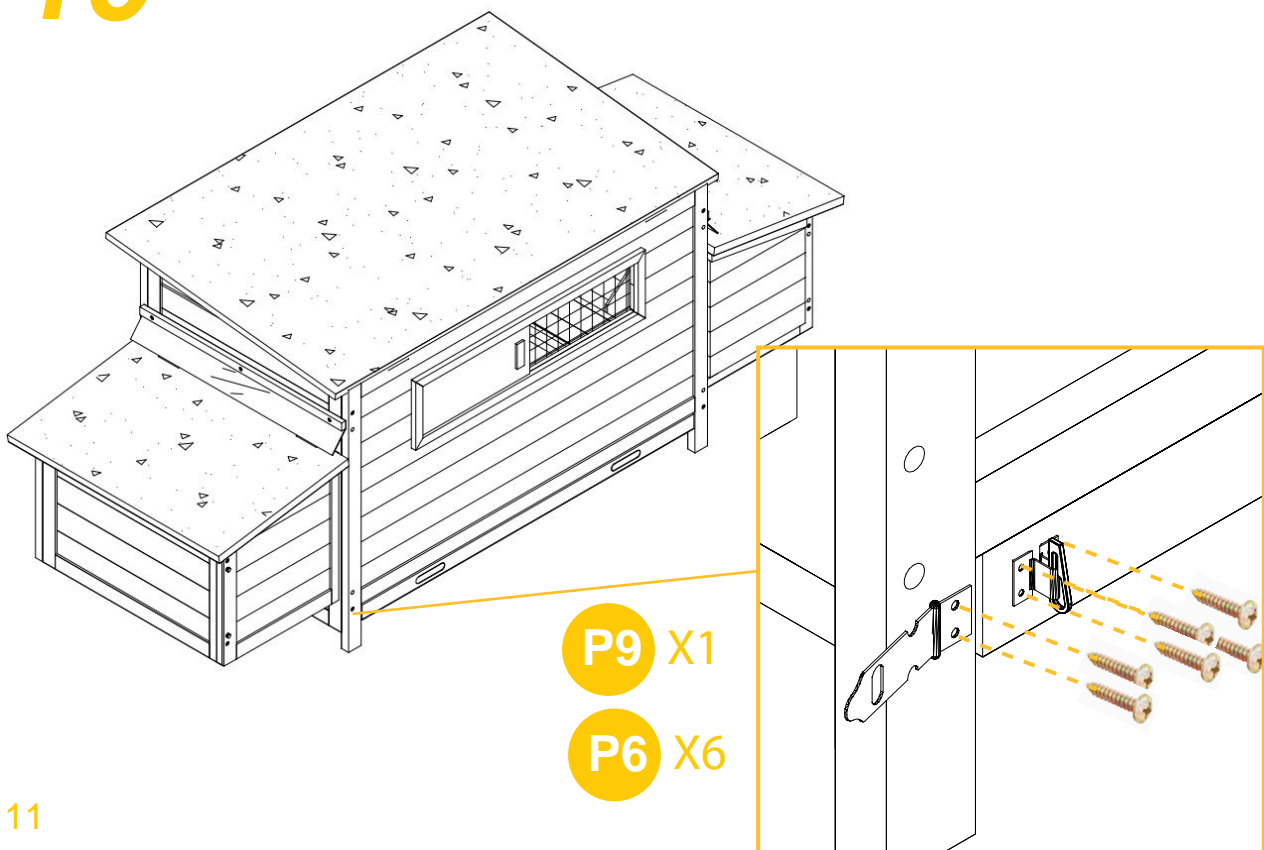


# PRODUCT ASSEMBLY

**09** Attach the coop roof Part L to the coop by 6xP6.

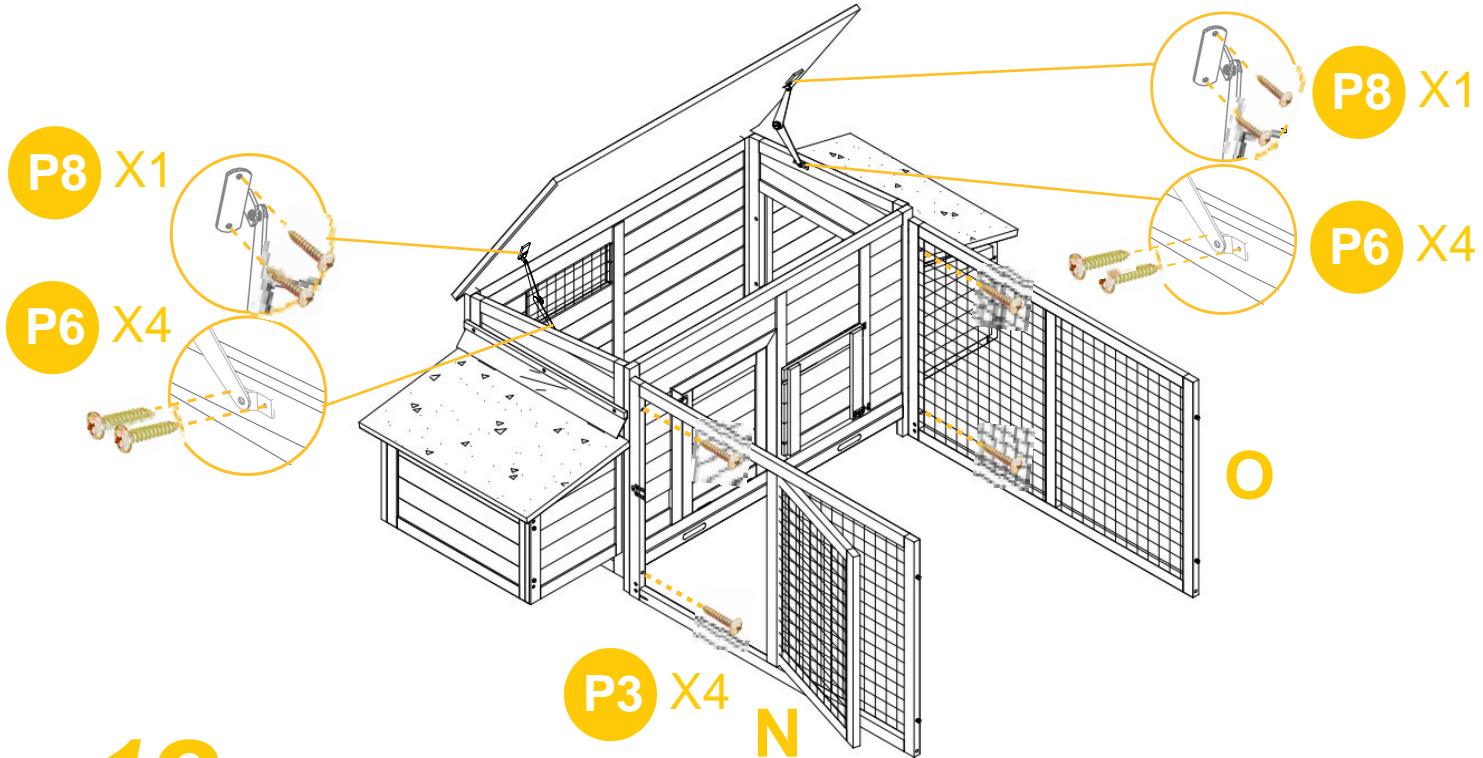


**10** Attach the lock P9 to the tray by 6xP6.

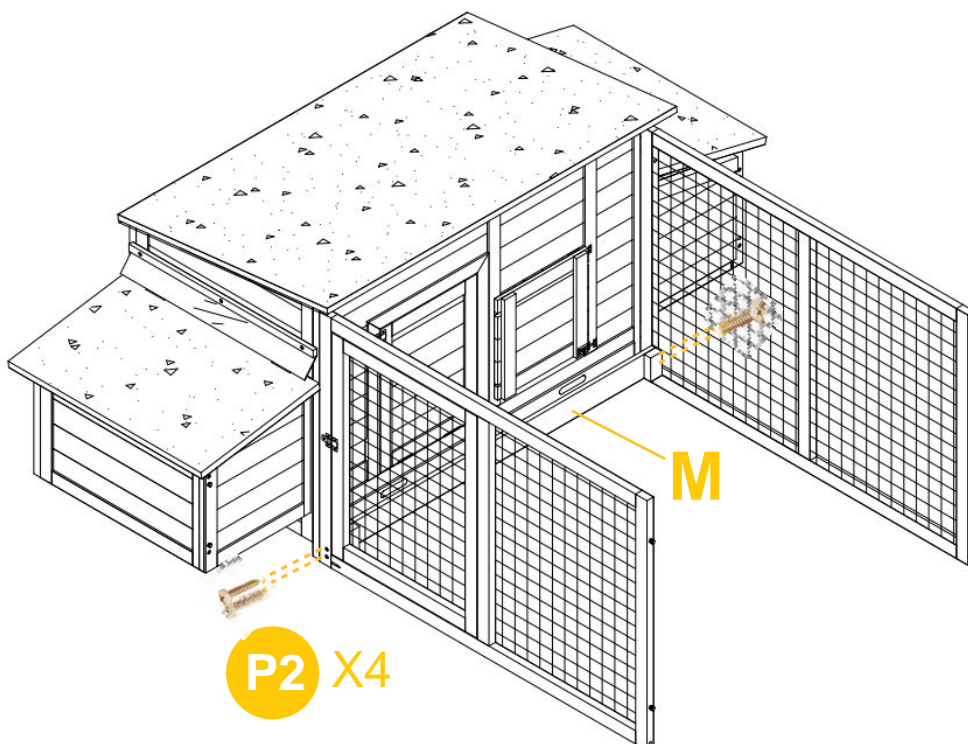


# PRODUCT ASSEMBLY

- 11** Attach the roof hinge P8 to the coop by 4XP6 each side.  
Attach the pen panel Part N&O to the coop by 4XP3.

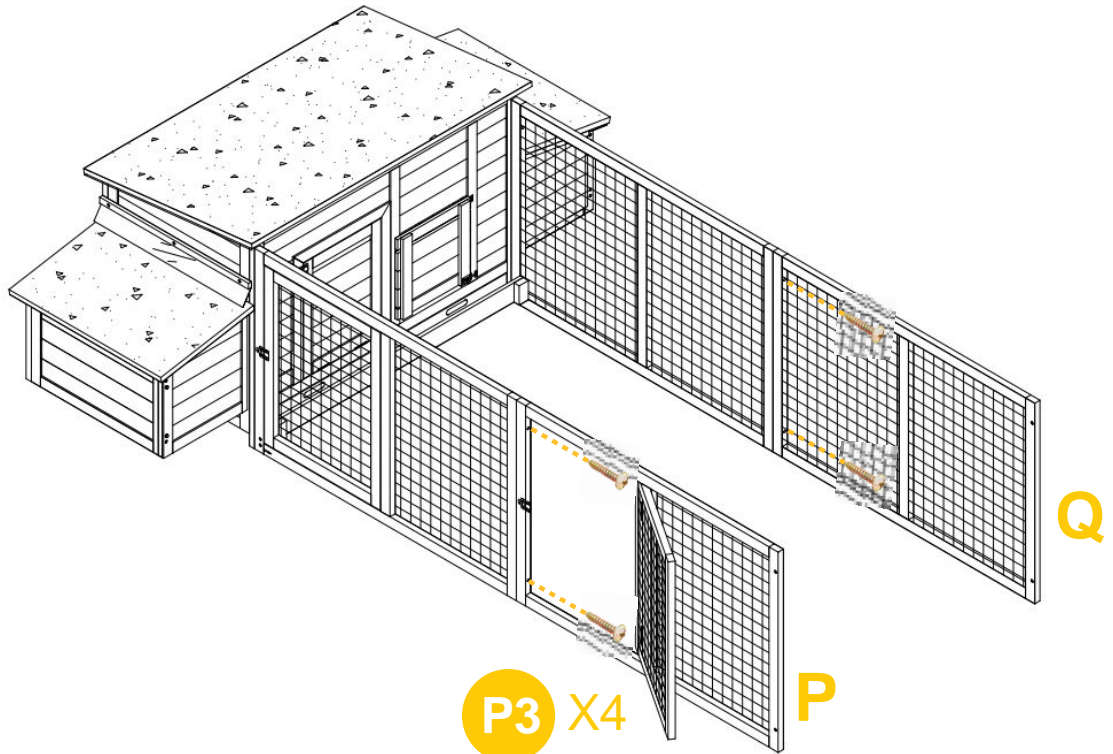


- 12** Attach the bottom baffle Part M to the side by 4xP2.

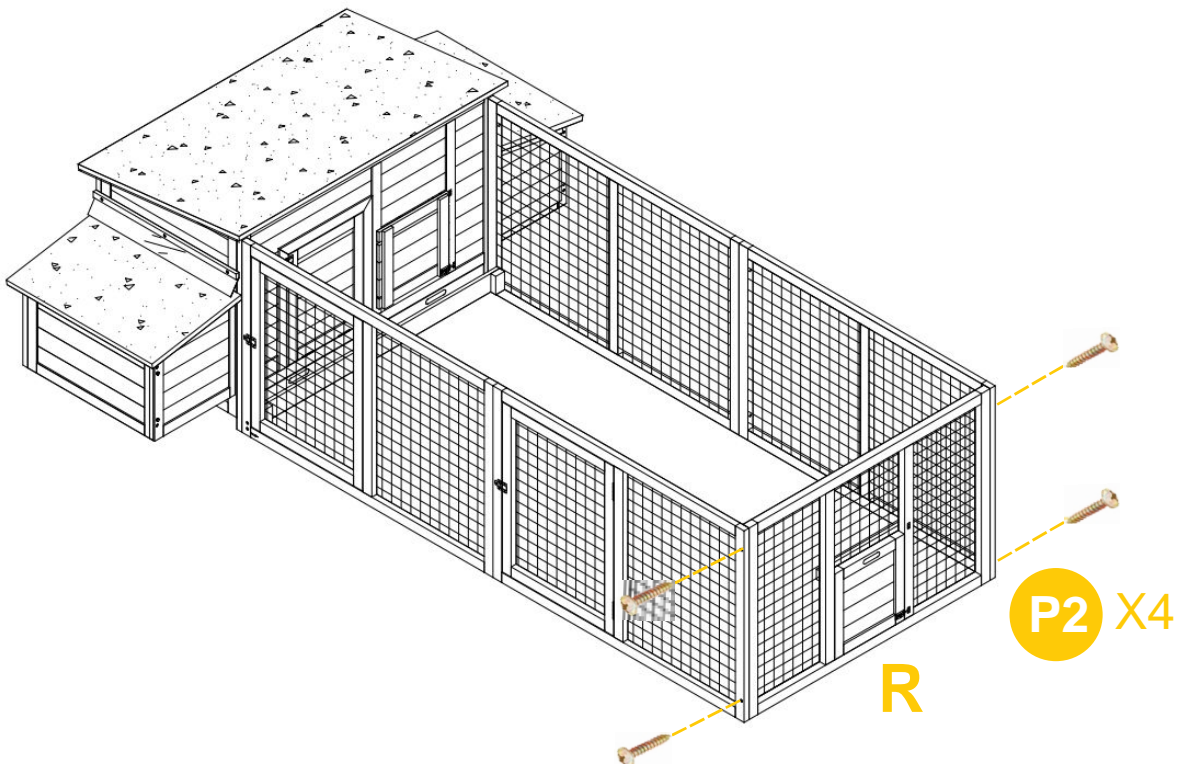


# PRODUCT ASSEMBLY

**13** Attach Part P & Q by 4xP3.

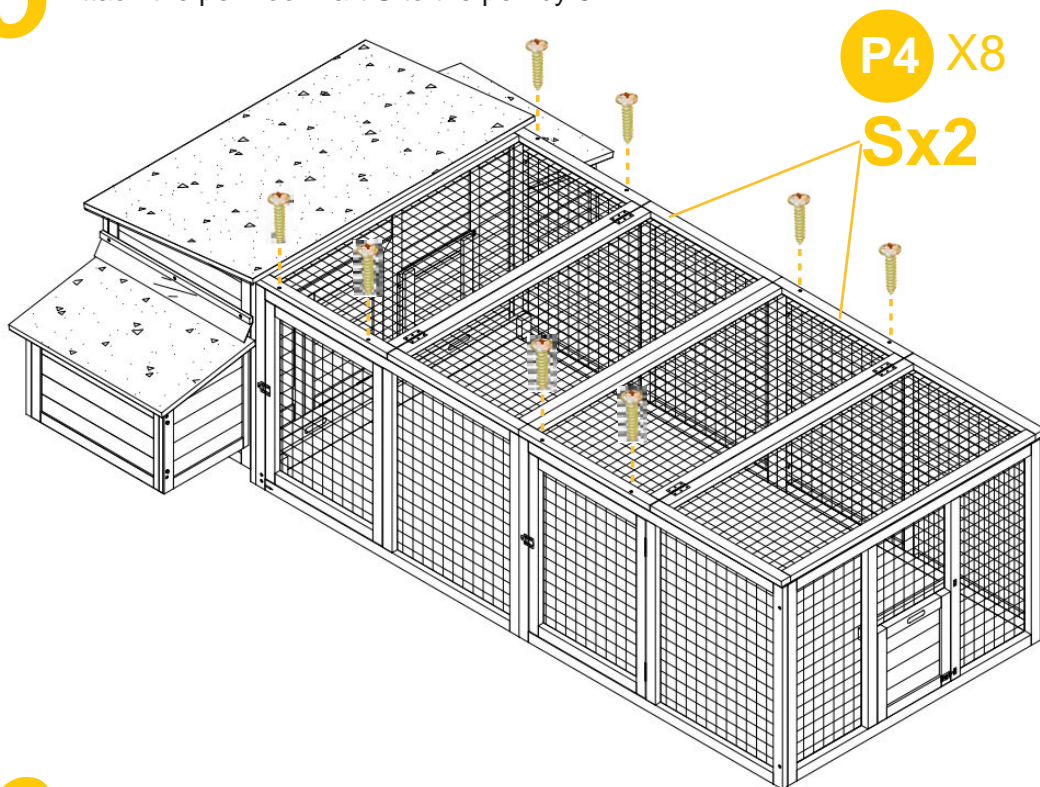


**14** Attach the side panel Part R to the pen by 4xP2.

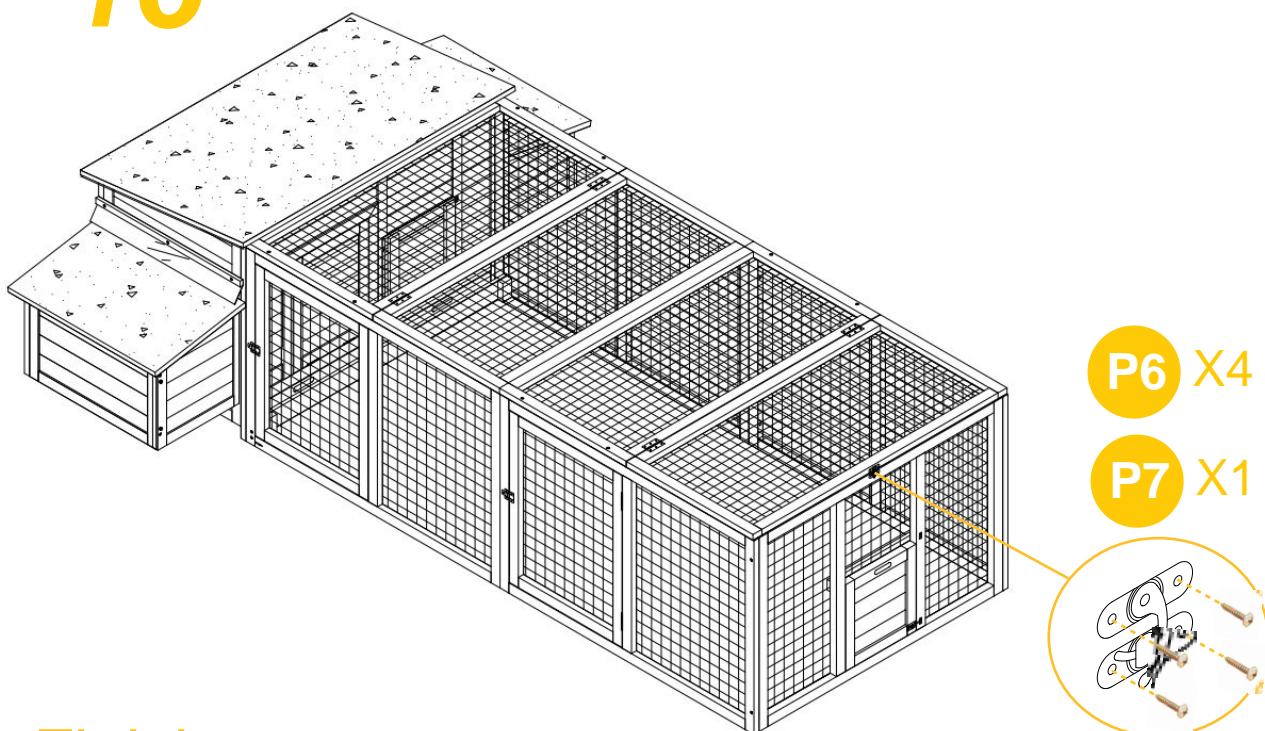


## PRODUCT ASSEMBLY

**15** Attach the pen roof Part S to the pen by 8xP4.



**16** Attach the latch P7 to the side by 4xP6.



Finish



**WARNING**

Manufacturer and seller expressly disclaim any and all liability for personal injury, property damage or loss, whether direct, indirect, or incidental, resulting from the incorrect attachment, improper use, inadequate maintenance, or neglect of this