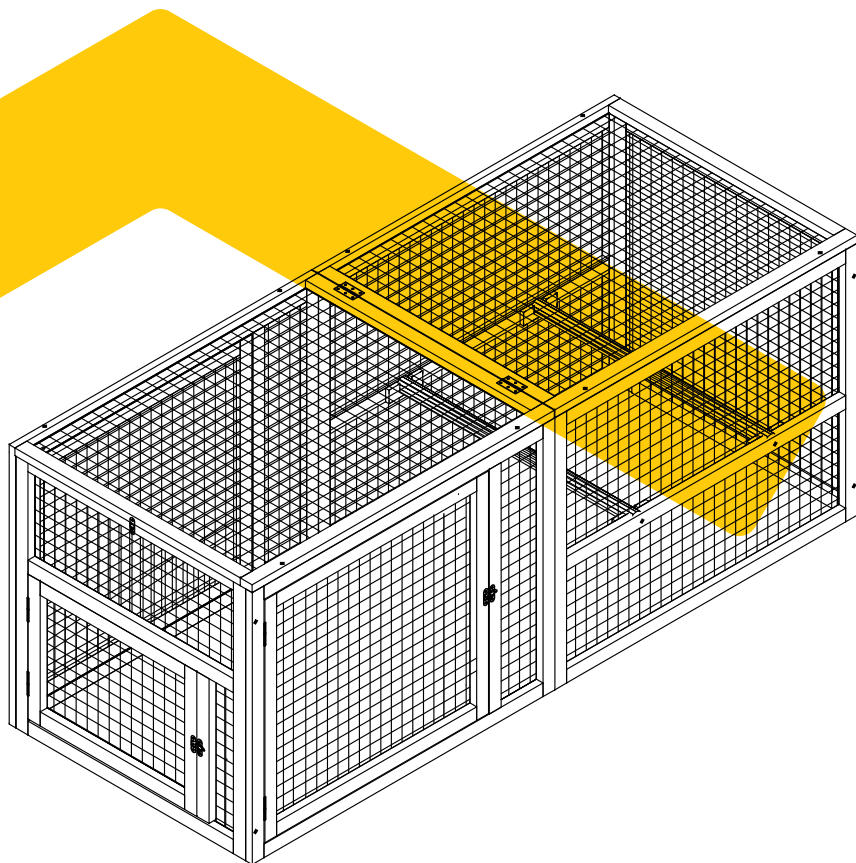


INSTRUCTION MANUAL

AIR 29





NOTICE

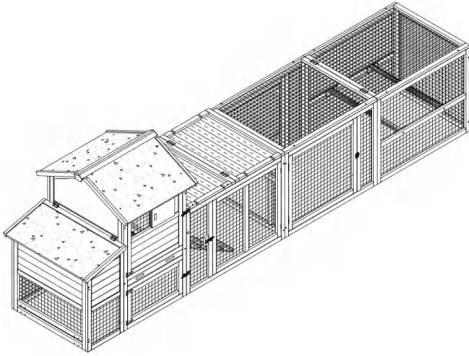
Please retain these instructions for future reference.

- Firmly secure all bolts,screws and knobs before use.
- Reconfirm that all bolts,screws,and knobs are secure every 90 days.
- Fasten screws loosely during initial assembly. Do not fully tighten screws until the item is completely assembled.
- Do not use or store this item in the proximity of open flame or flammable/combustible chemicals.
- Be aware that some parts are heavy and have sharp edges.
- Be aware that moving parts can injure,crush and cut.
- If any parts are missing,broken,damaged,or worn,stop using this product until repairs are made and/or factory replacement parts are installed.
- Do not use this item in a way inconsistent with the manufacturer's instructions as this could void the product warranty.

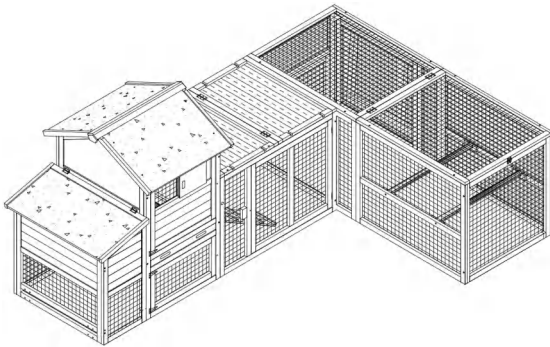
Notice

Read Before Assemble!

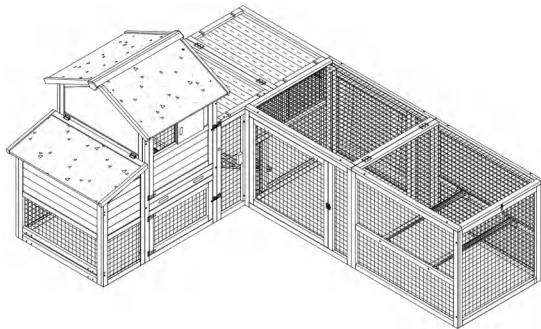
The below steps are using for chicken coop AIR27 and enclosure AIR29 combination,pls ignore if you don't have chicken coop AIR27.
There are 3 different combination for your optional choice.



Option 1
Pls refer to page 9.



Option 2
Pls refer to page 10.



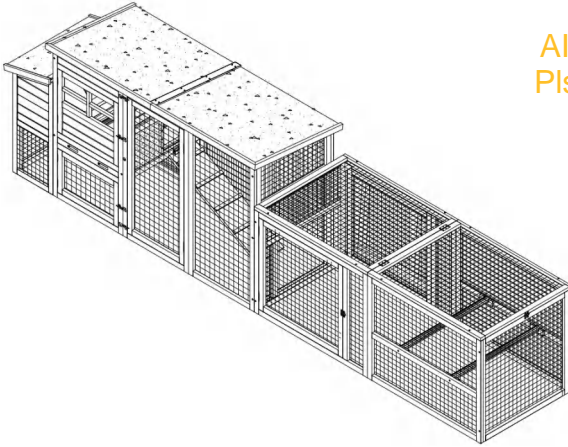
Option 3
Pls refer to page 11.

Notice

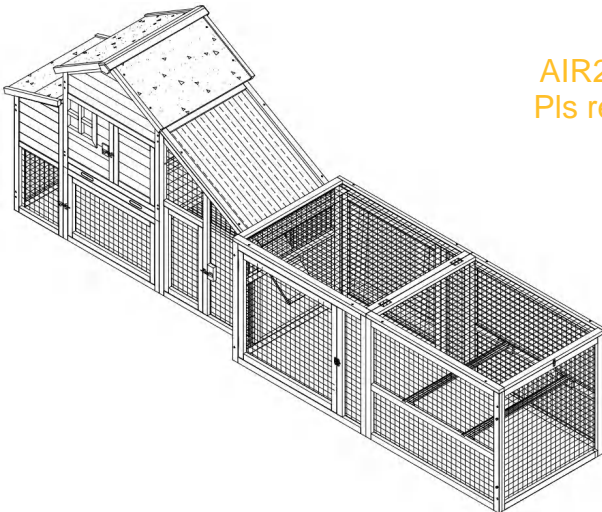
Read Before Assemble!

The below steps are using for the chicken coop and enclosure combination
pls ignore if you don't have chicken coop.

AIR29 can attach to coop AIR27,AIR31,AIR32,AIR61.



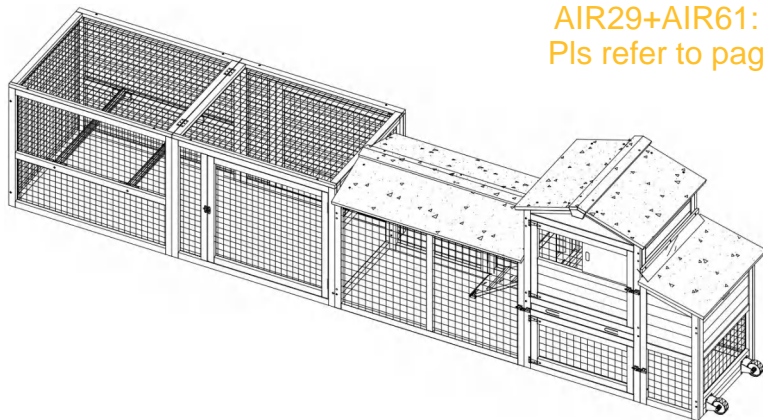
AIR29+AIR31:
Pls refer to page 12 .



AIR29+AIR32:
Pls refer to page 13.

Notice
Read Before Assemble!

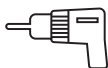
AIR29+AIR61:
Pls refer to page 14 .



TOOLS REQUIRED //



PHILLIPS
SCREWDRIVER



DRILL
(RECOMMENDED)



2PERSON
ASSEMBLY



APPROXIMATELY
45MIN. ASSEMBLY

HARDWARE //

M6.0x30mm BOLT
16PCS+1spare



P1

M6.0x25mm BOLT
4PCS+1spare



P2

M6.0x20mm BOLT
4PCS+1spare



P3

Lock
2PCS



P4

Ties
2PCS + 2PCS SPARE



P5

Screw driver
1PC



P6

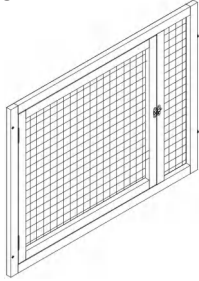
M3.5x45mm SCREW
8PCS+1spare



P7

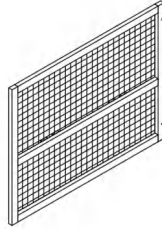
PARTS //

Left side of the front panel
1PC



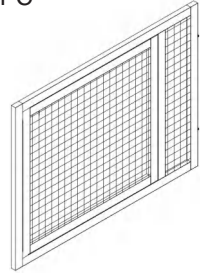
A

Right side of front panel
1PC



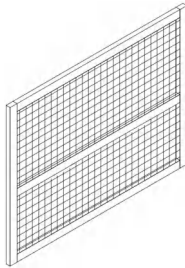
B

Part A opposite side
1PC



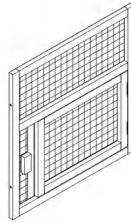
C

Part B opposite side
1PC



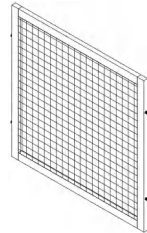
D

Left panel
1PC



E

Right panel
1PC



F

Roof
1PC



G

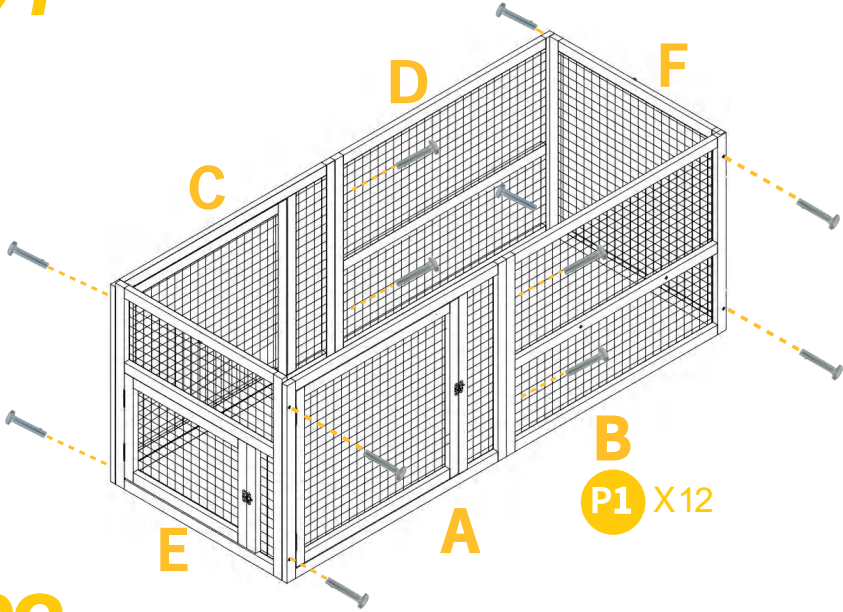
Perch
2PCS



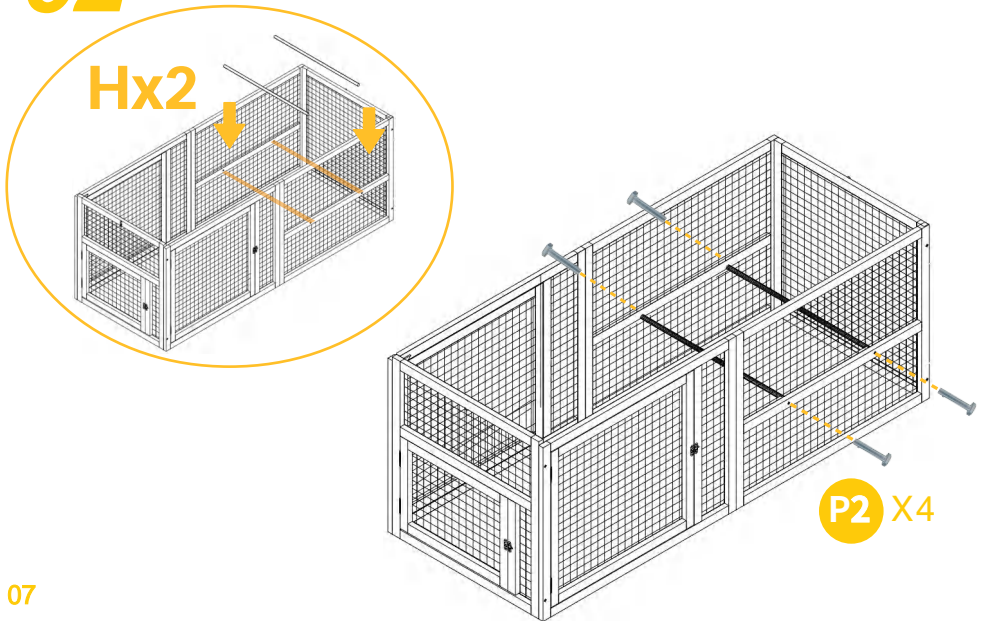
H

PRODUCT ASSEMBLY //

01 Attach Part A, B, C, D to E, F by bolt 12xP1.

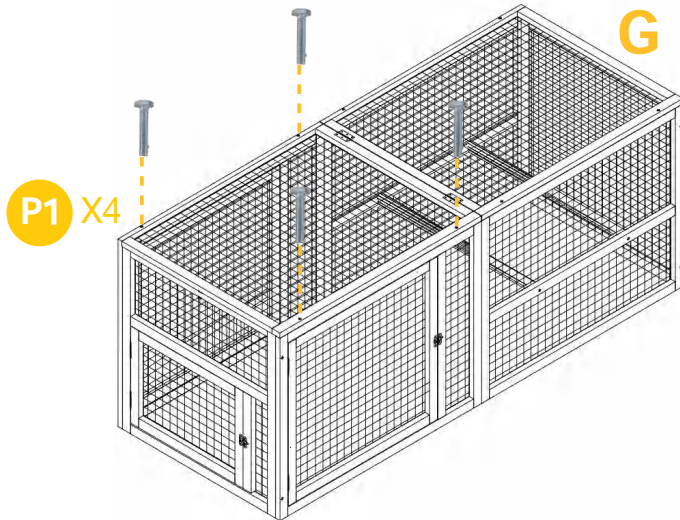


02 Insert the perch Part H into slots inside front and back panel..

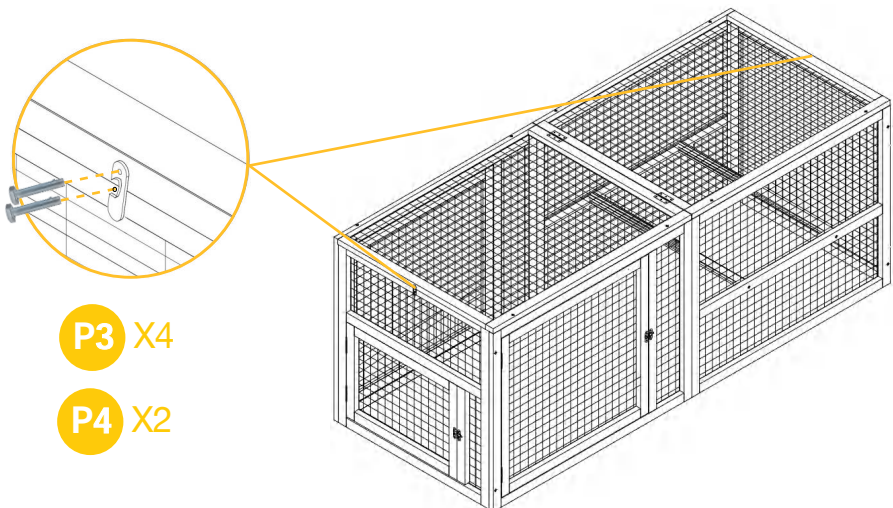


PRODUCT ASSEMBLY //

03 Attach the roof Part G by 4xP1 as show on the picture.



04 Attach the lock P4 by 2XP3 each side.



P3 X4

P4 X2

Notice

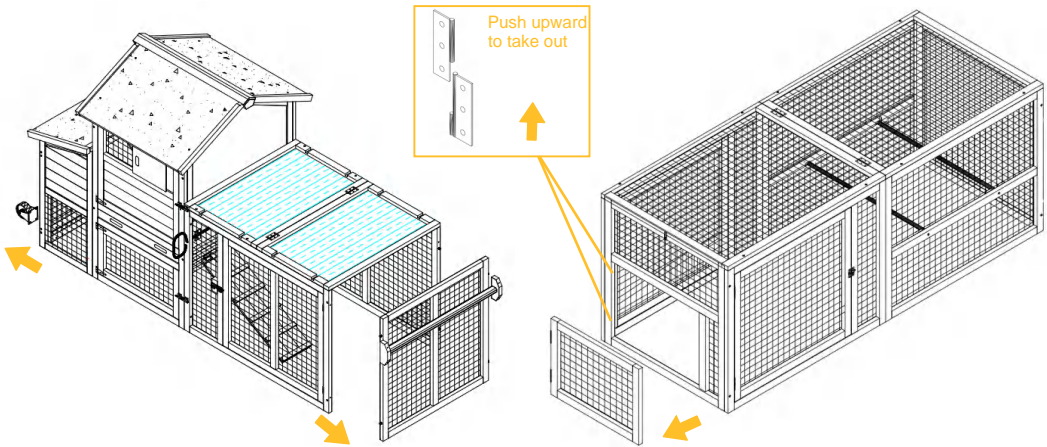
Read Before Assemble!

The below steps are using for chicken coop AIR27 and enclosure AIR29 combination, pls ignore if you don't have chicken coop AIR27.

OPTION 1

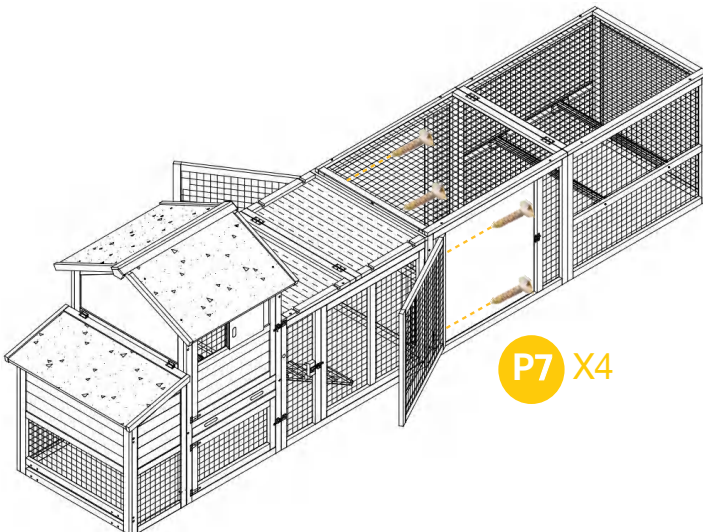
05

- Take out the casters of coop.
- Take out the right side pen panel of coop.
- Take out the small door of left panel of enclosure.



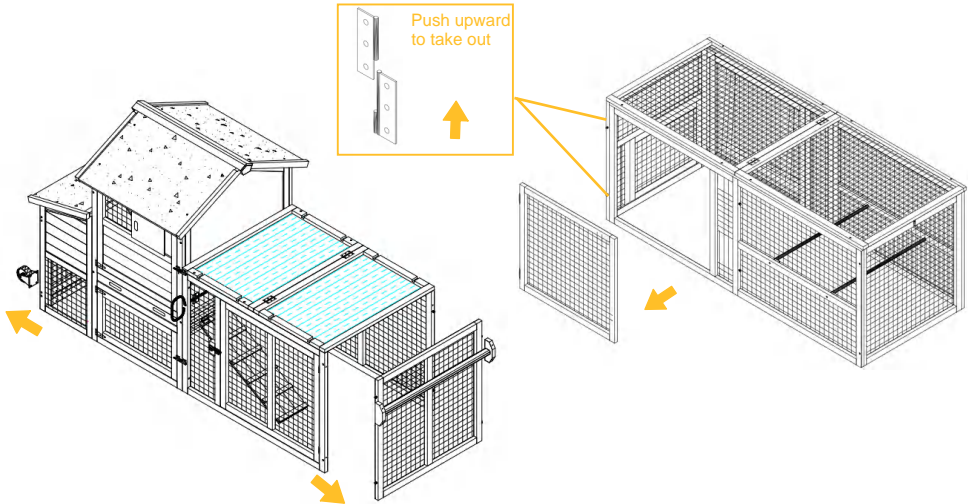
06

- Open the door of enclosure, and attach the enclosure to the coop by 4XP7 screws.

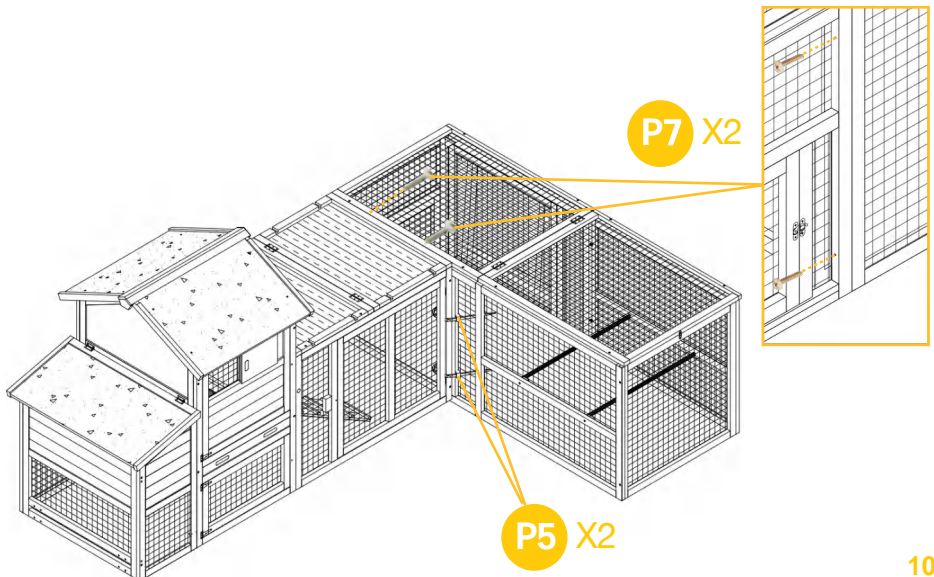


OPTION 2

- 07** Take out the casters of coop.
Take out the right side pen panel of coop.
Push upward the hinge to take out the front door of enclosure.



- 08** Attach the enclosure to the coop by 2XP5 ties and 2XP7 screws.



OPTION 3

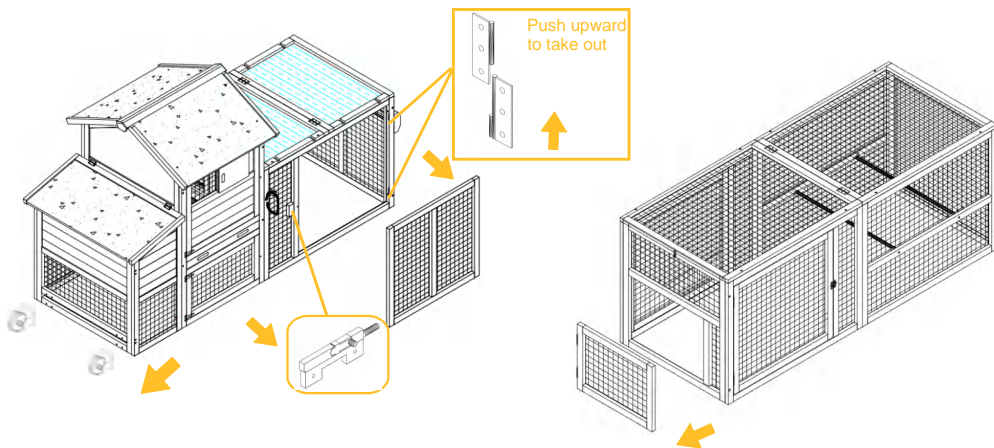
09

Take out the casters of coop.

Take out the spring latch of the pen of coop.

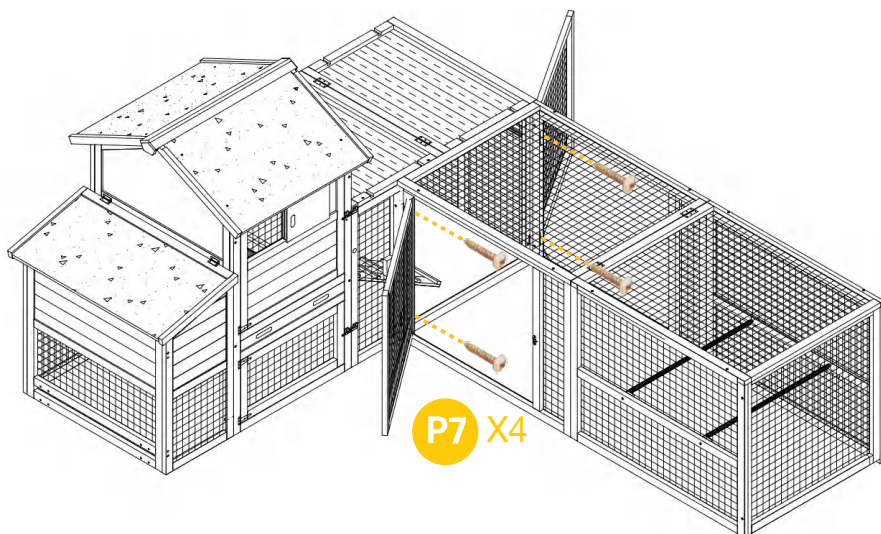
Push upward the hinge to take out the door of the front pen of coop.

Take out the small door of left panel of enclosure.



10

Open the door of enclosure, and attach the enclosure to the coop by 4XP7 screws.

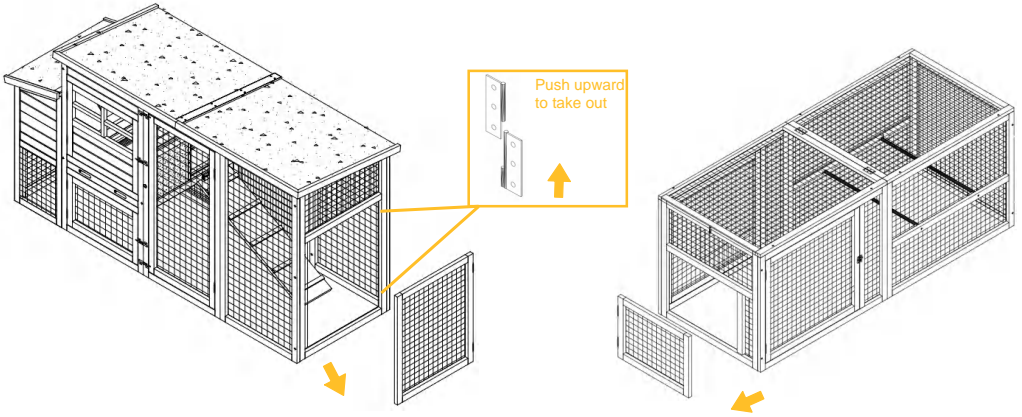


Notice

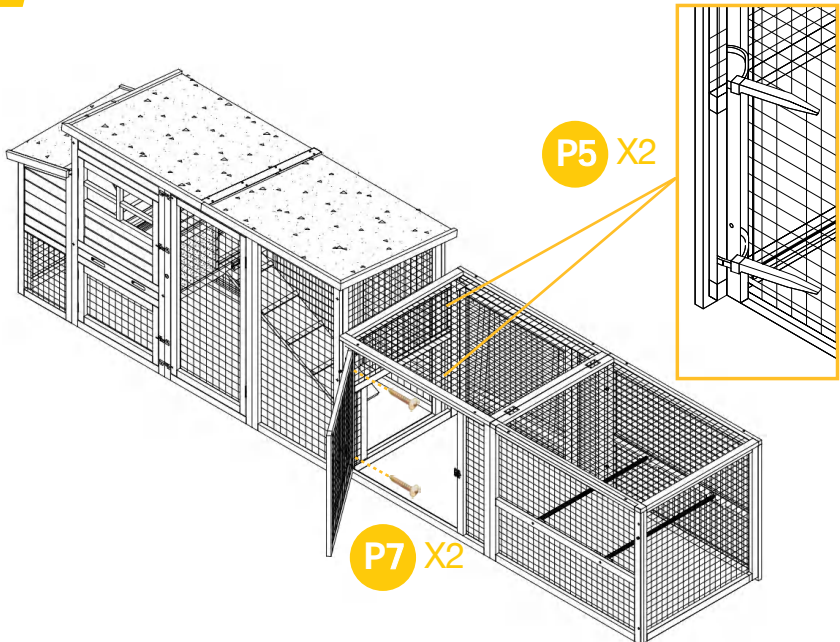
Read Before Assemble!

The below steps are using for chicken coop AIR31 and enclosure AIR29 combination,pls ignore if you don't have chicken coop AIR31.

- 11** Push upward to take out the small door of right panel of coop.
Take out the small door of left panel of enclosure.



- 12** Attach the enclosure to the coop by 2XP7 screws and 2XP5 ties.

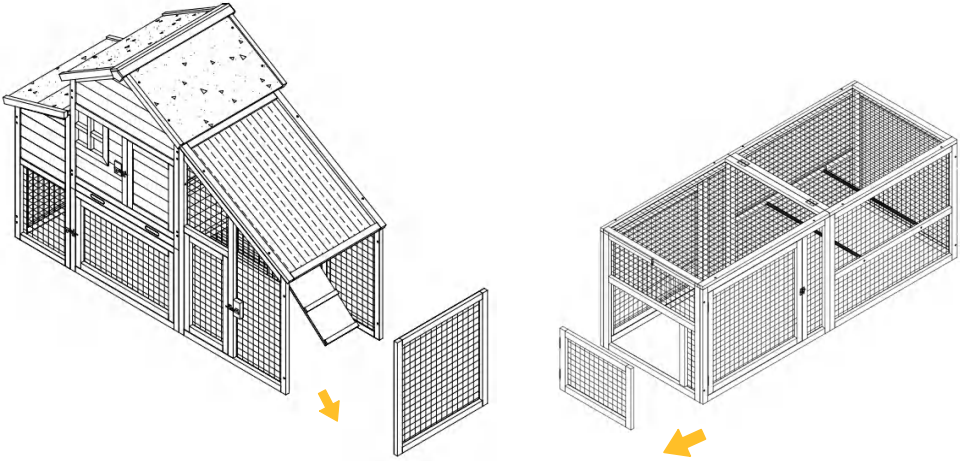


Notice

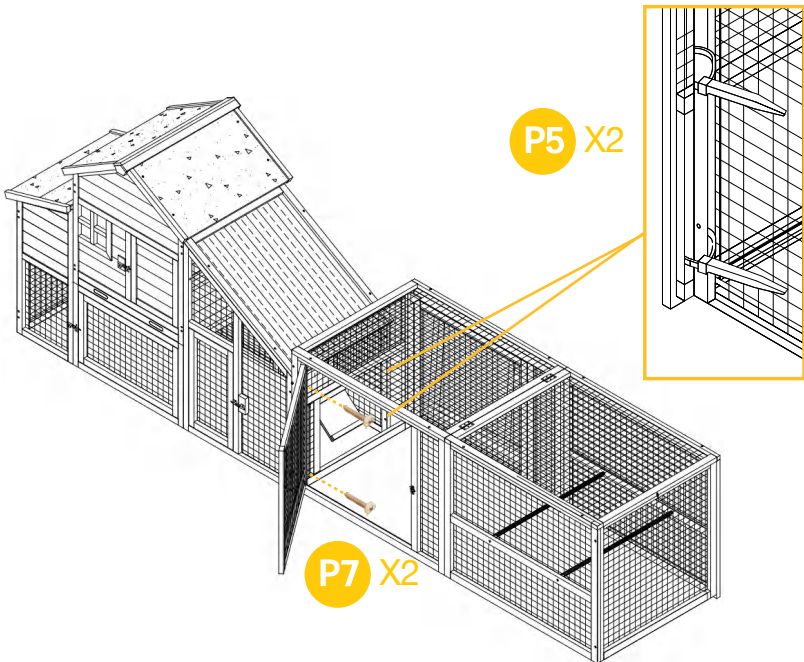
Read Before Assemble!

The below steps are using for chicken coop AIR32 and enclosure AIR29 combination, pls ignore if you don't have chicken coop AIR32.

- 13** Take out the right side panel of coop.
Take out the small door of left panel of enclosure.



- 14** Attach the enclosure to the coop by 2XP7 screws and 2XP5 ties.

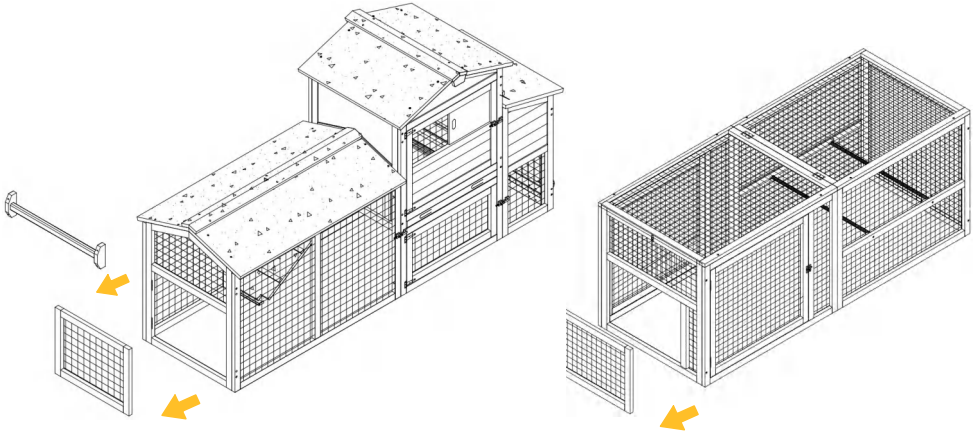


Notice

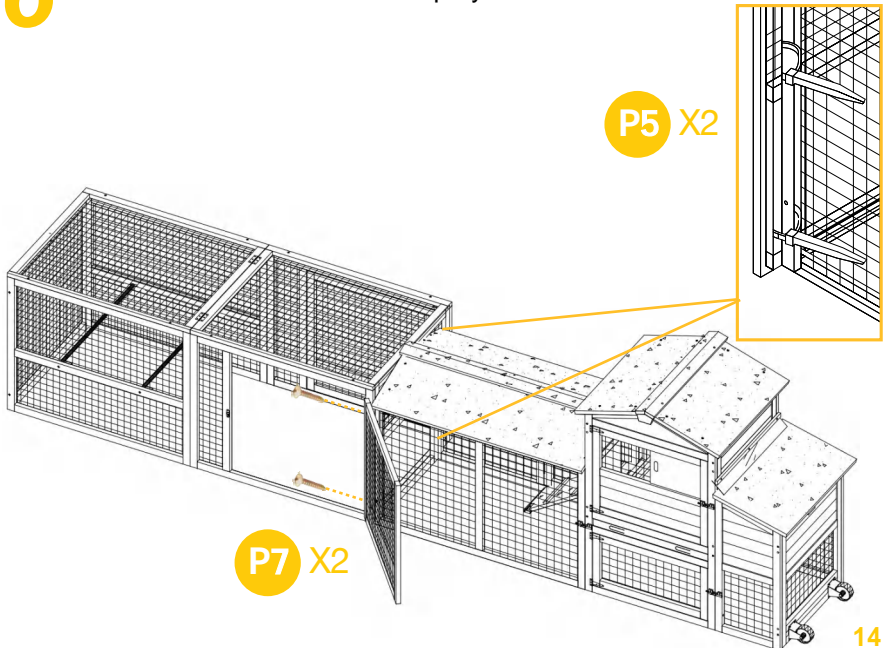
Read Before Assemble!

The below steps are using for chicken coop AIR61 and enclosure AIR29 combination, pls ignore if you don't have chicken coop AIR61.

- 15** Take out the small door and push handle of coop.
Take out the small door of left panel of enclosure.



- 16** Attach the enclosure to the coop by 2XP7 screws and 2XP5 ties.





WARNING

Manufacturer and seller expressly disclaim any and all liability for personal injury, property damage or loss, whether direct, indirect, or incidental, resulting from the incorrect attachment, improper use, inadequate maintenance, or neglect of this product.