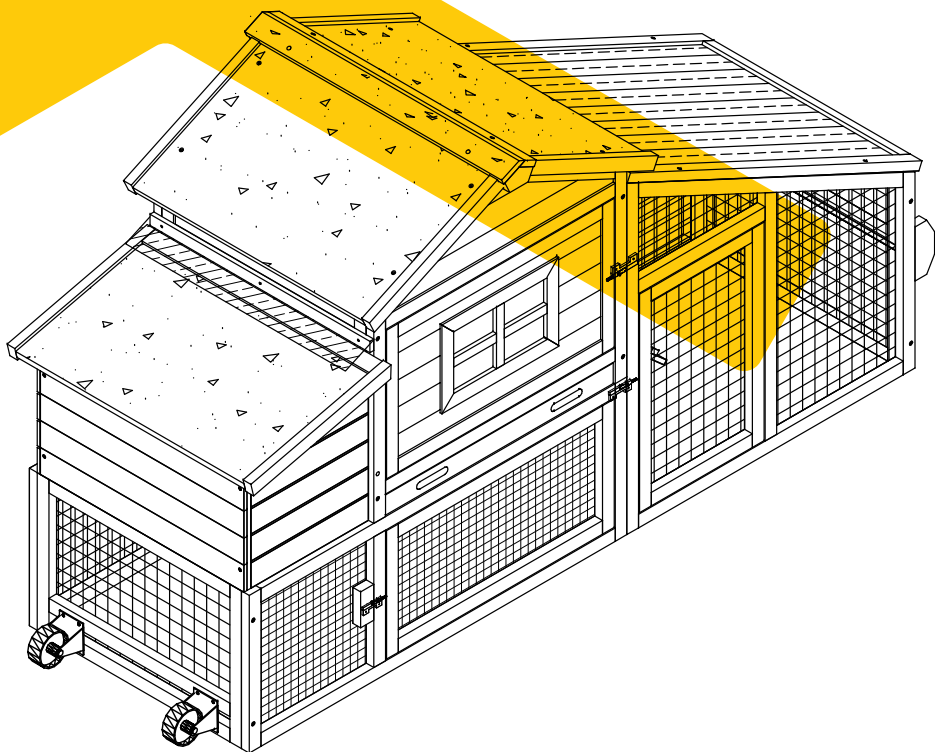


# INSTRUCTION MANUAL

AIR 23







## NOTICE

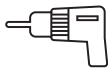
Please retain these instructions for future reference.

- Firmly secure all bolts,screws and knobs before use.
- Reconfirm that all bolts,screws,and knobs are secure every 90 days.
- Fasten screws loosely during initial assembly. Do not fully tighten screws until the item is completely assembled.
- Do not use or store this item in the proximity of open flame or flammable/combustible chemicals.
- Be aware that some parts are heavy and have sharp edges.
- Be aware that moving parts can injure,crush and cut.
- If any parts are missing,broken,damaged,or worn,stop using this product until repairs are made and/or factory replacement parts are installed.
- Do not use this item in a way inconsistent with the manufacturer's instructions as this could void the product warranty.

## TOOLS REQUIRED //



PHILLIPS  
SCREWDRIVER



DRILL  
(RECOMMENDED)



2PERSON  
ASSEMBLY



APPROXIMATELY  
45MIN. ASSEMBLY

## HARDWARE //

M6.0x50mm BOLT  
4PCS+1spare



P1

M3.5x40mm SCREW  
24PCS+1spare



P2

M3.5x50mm SCREW  
8PCS+1spare



P3

M3.5x35mm SCREW  
12PCS+1spare



P4

M3.5x25mm SCREW  
7PCS+1spare



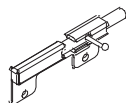
P5

M3.0x16mm SCREW  
14PCS+1spare



P6

Spring latch  
3PCS



P7

M6.0x30mm BOLT  
8PCS+1spare



P8

# HARDWARE

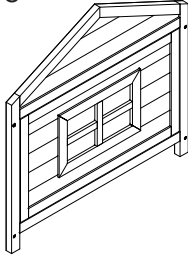
M3.5x60mm SCREW  
4PCS+1 spare



P9

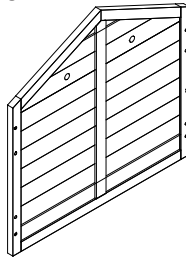
# PARTS

Front panel of coop -  
Upper  
1PC



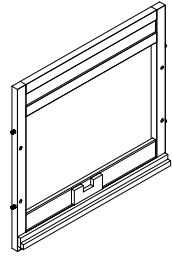
**A**

Back panel of coop -  
Upper  
1PC



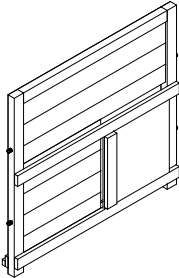
**B**

Left panel of coop  
1PC



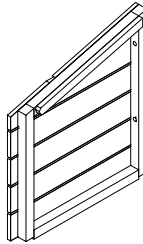
**C**

Right panel of coop  
1PC



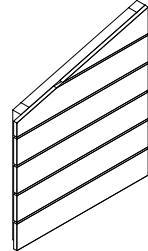
**D**

Left panel of nest box  
1PC



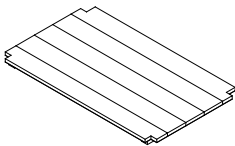
**E**

Right panel of nest box  
1PC



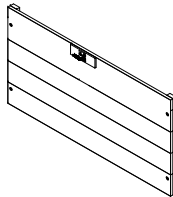
**F**

Bottom panel of nest box  
1PC



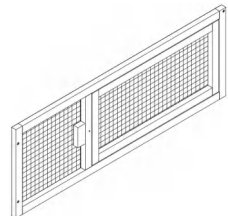
**G**

Front panel of nest box  
1PC



**H**

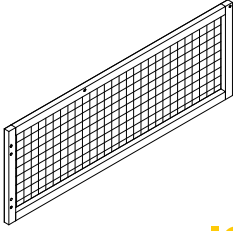
Front panel of pen - Down  
1PC



**I**

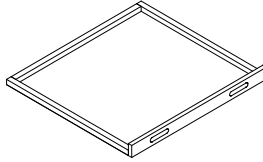
# PARTS //

Back panel of pen - Down  
1PC



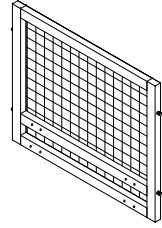
I2

Plastic tray  
1PC



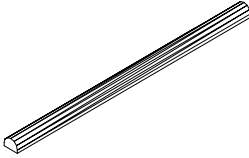
J

Side panel of pen - Down  
1PC



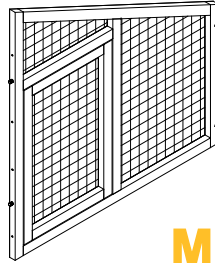
K

Perch  
1PC



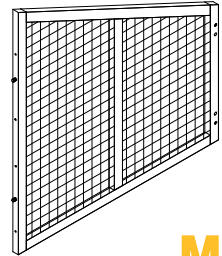
L

Front panel of side pen  
1PC



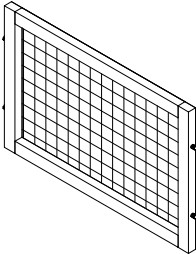
M1

Back panel of side pen  
1PC



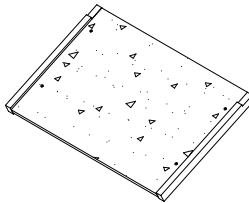
M2

Side panel of side pen  
1PC



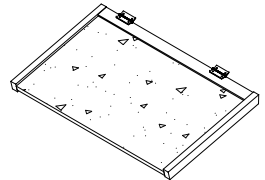
N

Roof of coop  
2PCS



O

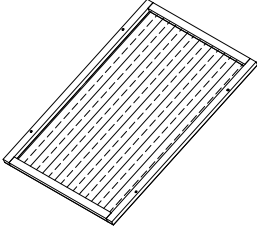
Roof of nest box  
1PC



P

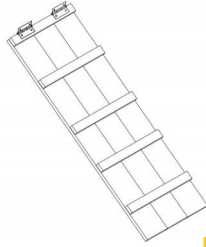
# PARTS //

Roof of side pen  
1PC



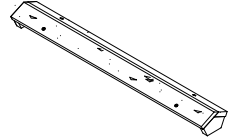
**Q**

Ramp  
1PC



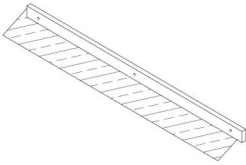
**R**

Roof cap  
1PC



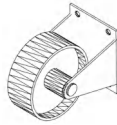
**S**

PVC Waterproof Strip  
1PC



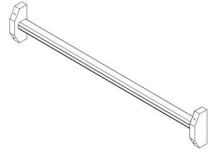
**T**

Casters  
2PCS



**U**

Push handle  
1PC



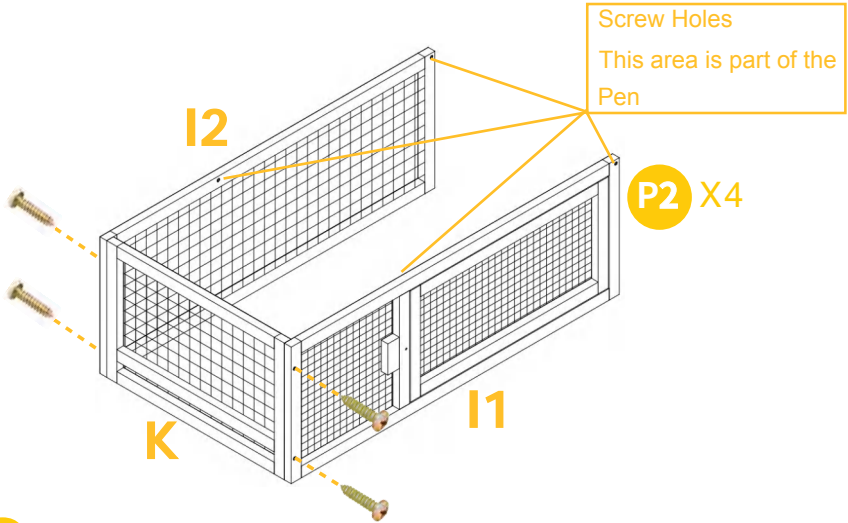
**V**



# PRODUCT ASSEMBLY //

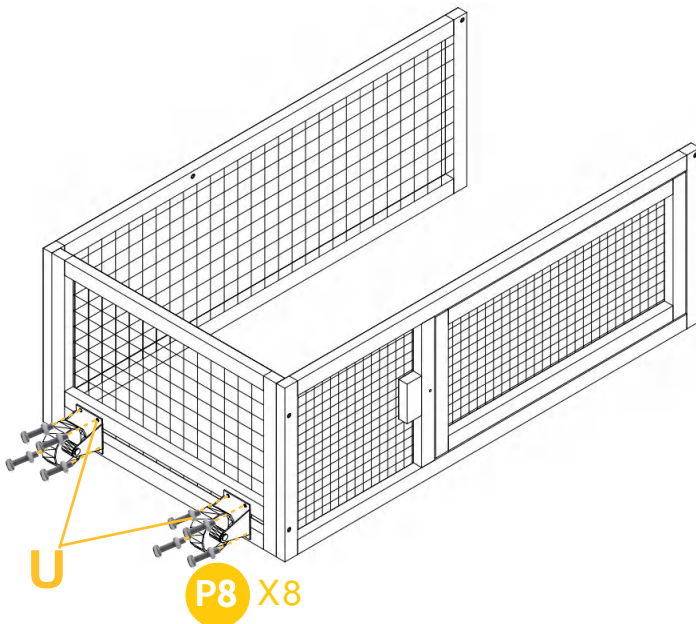
01

Ensure screw holes on long side of "I1" and "I2" are oriented at top.  
Ensure that all pen-panels have stapled-wire facing inside.  
All dowels on "K" with hole on "I1" and "I2" by screw 4xP2.  
Ensure all corner line up before screwing together .



02

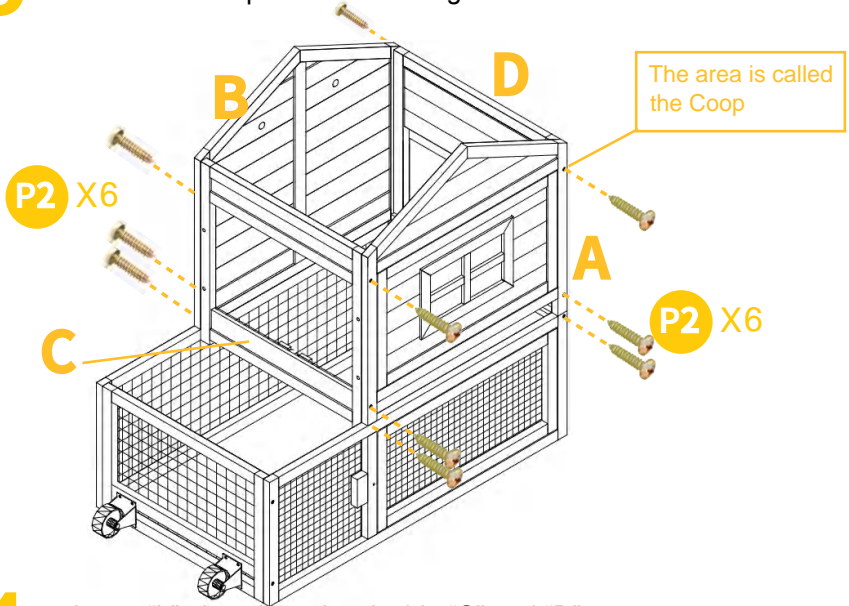
Attach Part U to Part K by bolt 8xP8.



## PRODUCT ASSEMBLY //

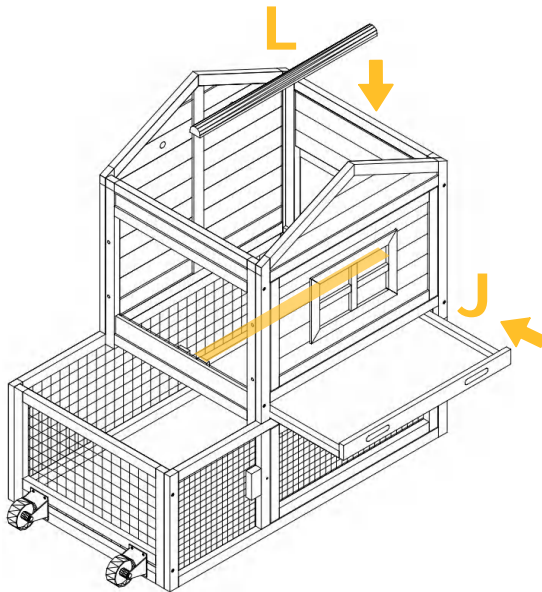
03

Align dowels on "A" and "B" with hole on "C" and "D" by screw 6xP2.  
Attach the Coop to the Pen using 6xP2.



04

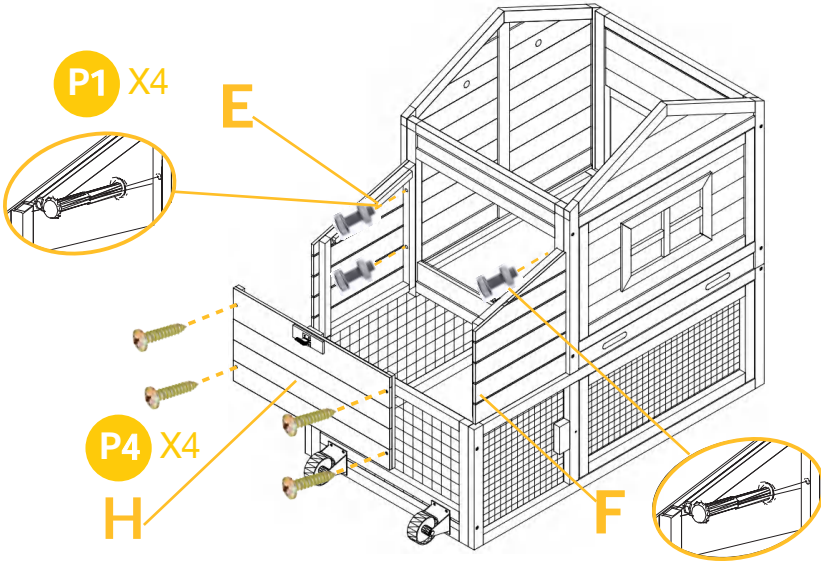
Insert "L" piece into slots inside "C" and "D".  
Slide "J" into bottom slot of Coop.



## PRODUCT ASSEMBLY

# 05

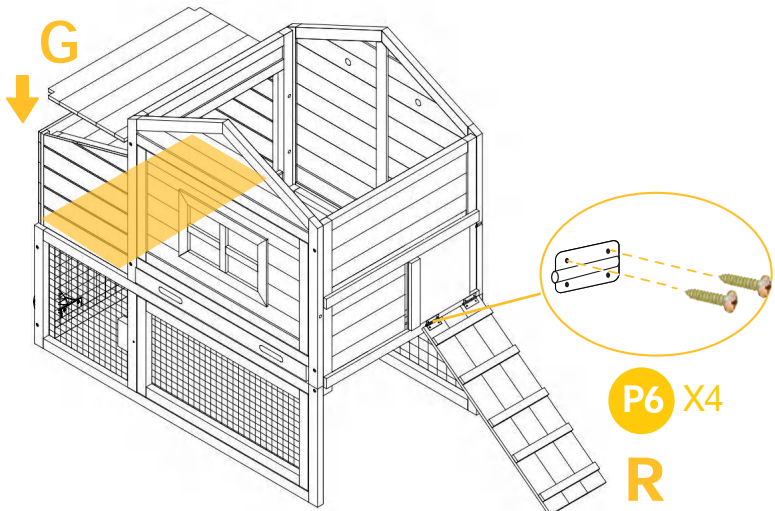
Bolt "E" and "F" to Coop by 4xP1.  
Screw "H" to "E" and "F" by 4xP4.



# 06

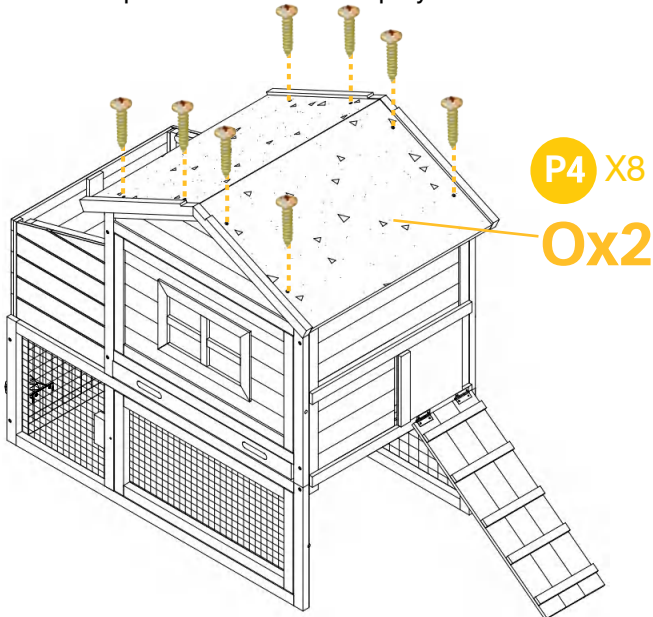
Drop in Nest Box floor "G".

Screw ladder R into bottom half of lower panel on D by 4xP6, so as not to interfere with sliding door.

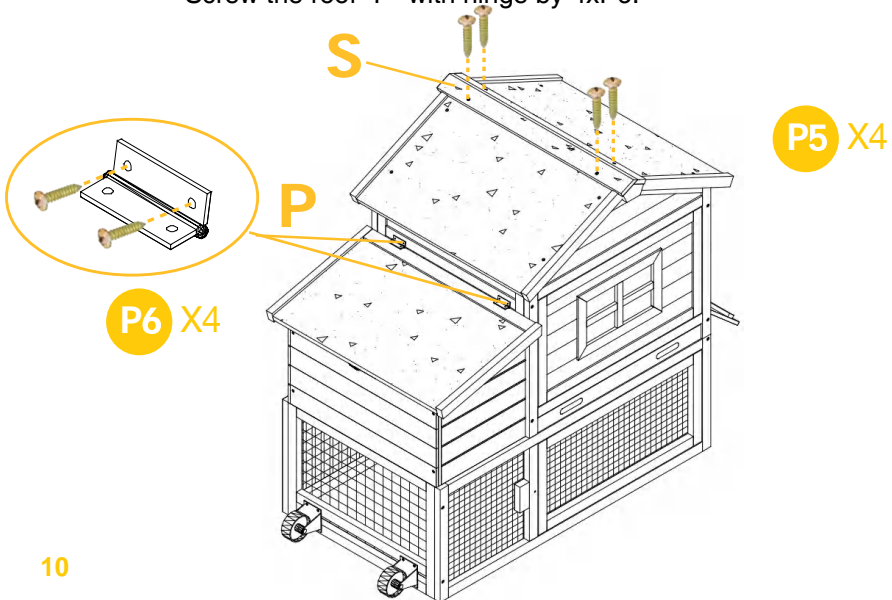


# PRODUCT ASSEMBLY //

**07** Screw roof panels "O" to the Coop by 8XP4.

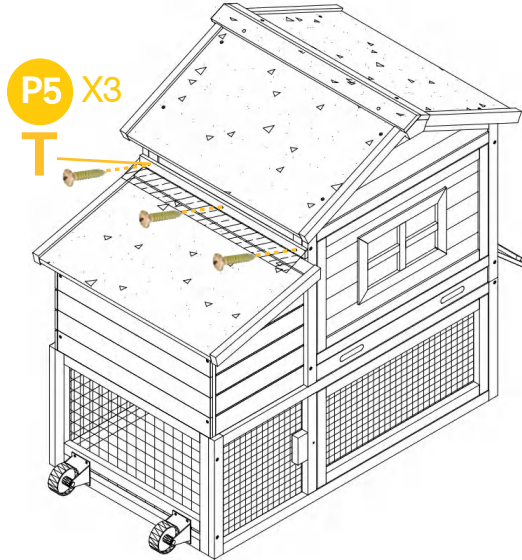


**08** Ensure top roof panels line up with each other before screwing "S" by 4xP5.  
Screw the roof "P" with hinge by 4xP6.

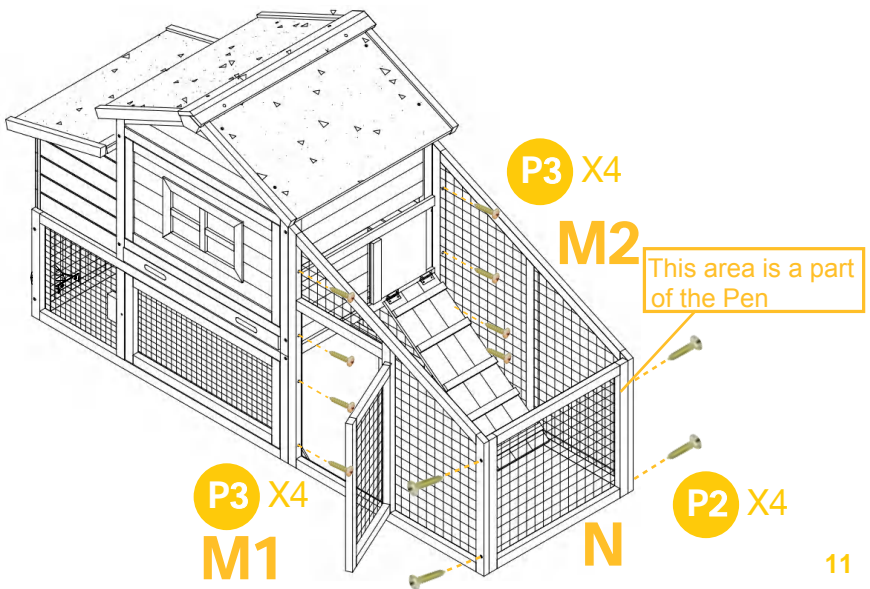


# PRODUCT ASSEMBLY //

**09** Screw Part T on the nesting box by 3xP5.



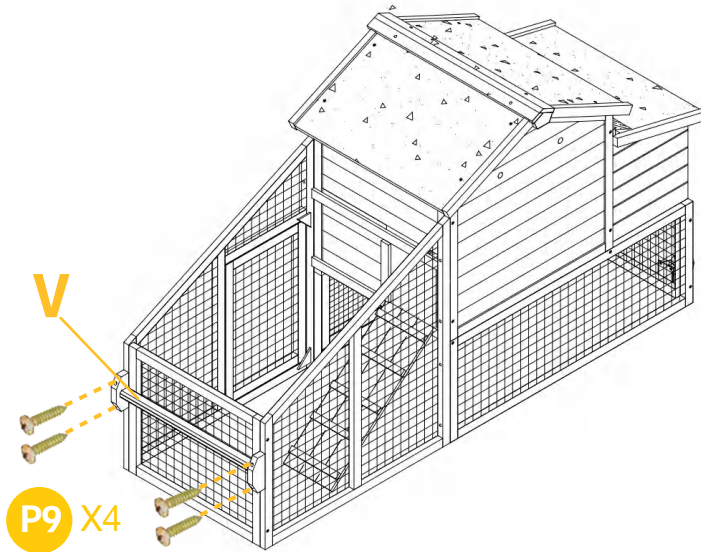
**10** Connect the Pen to the Coop by 4XP3 on each side. Align dowels on "N" with holes on "M1" and "M2" by 4xP2.



## PRODUCT ASSEMBLY //

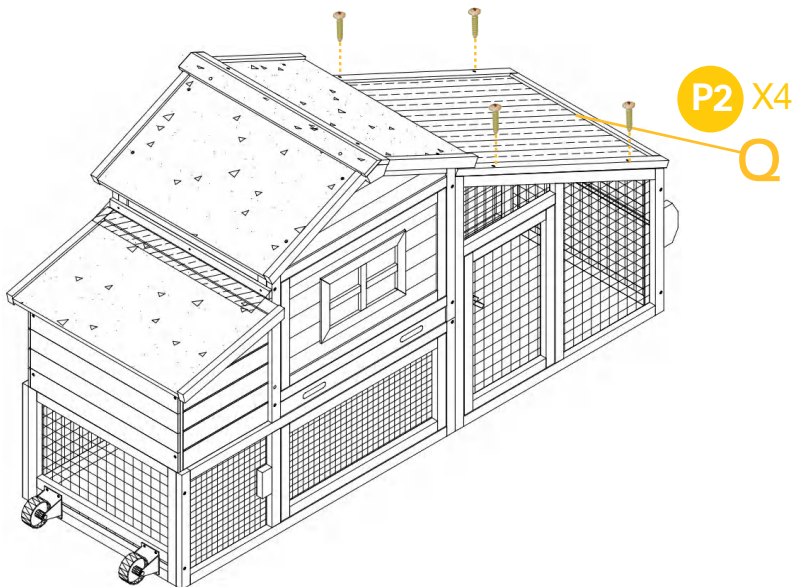
# 11

Attach Part V to Part N by screw 4xP9.



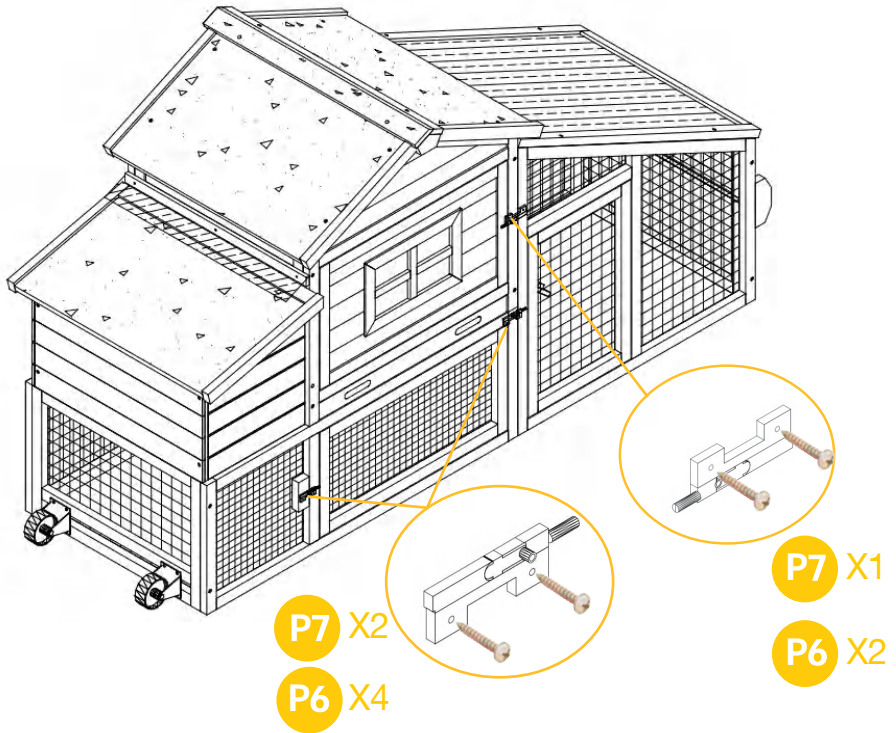
# 12

Complete the side pen by screwing the top roof Part Q to the front & back Part M1, M2, side Part N by 4xP2.



## PRODUCT ASSEMBLY //

**13** Screw the spring latch by 6xP6, please pay attention to the direction.





**WARNING**

Manufacturer and seller expressly disclaim any and all liability for personal injury, property damage or loss, whether direct, indirect, or incidental, resulting from the incorrect attachment, improper use, inadequate maintenance, or neglect of this product.