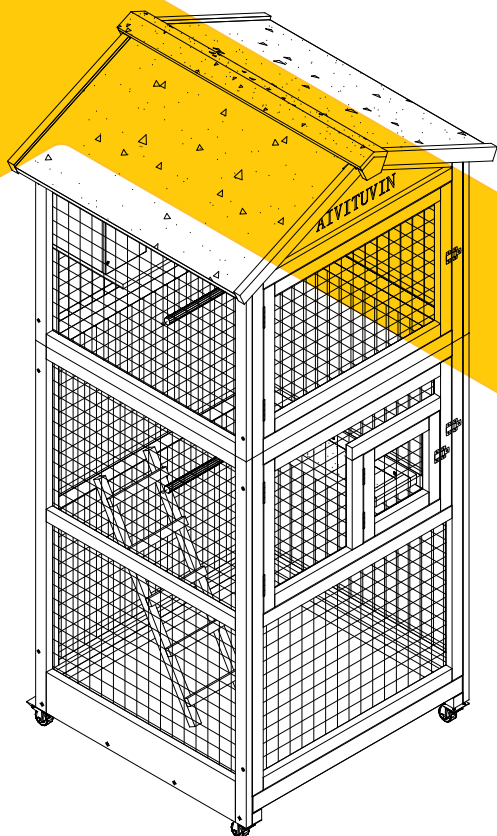


INSTRUCTION MANUAL

AIR42





NOTICE

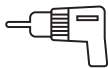
Please retain these instructions for future reference.

- Firmly secure all bolts,screws and knobs before use.
- Reconfirm that all bolts,screws,and knobs are secure every 90 days.
- Fasten screws loosely during initial assembly. Do not fully tighten screws until the item is completely assembled.
- Do not use or store this item in the proximity of open flame or flammable/combustible chemicals.
- Be aware that some parts are heavy and have sharp edges.
- Be aware that moving parts can injure,crush and cut.
- If any parts are missing,broken,damaged,or worn,stop using this product until repairs are made and/or factory replacement parts are installed.
- Do not use this item in a way inconsistent with the manufacturer' s instructions as this could void the product warranty.

TOOLS REQUIRED //



PHILLIPS
SCREWDRIVER



DRILL
(RECOMMENDED)



2PERSON
ASSEMBLY



APPROXIMATELY
45MIN. ASSEMBLY

HARDWARE //

M6.0x50mm Bolt
4PCS+1spare



P1

M3.5x60mm SCREW
6PCS +1 spare



P2

M4.0x45mm SCREW
16PCS+1spare



P3

M3.5x35mm SCREW
8PCS +1spare



P4

M3.5x25mm SCREW
20PCS+1spare



P5

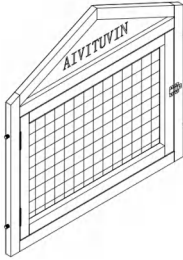
M3.5x20mm SCREW
16PCS+1spare



P6

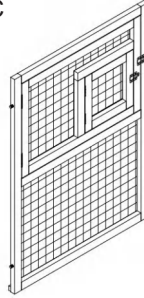
PARTS

Front panel-Upper
1 PC



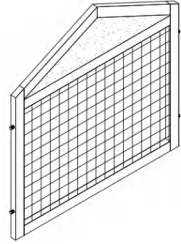
A

Front panel-Down
1 PC



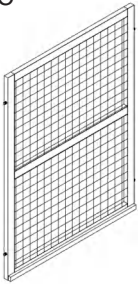
B

Back panel-Upper
1 PC



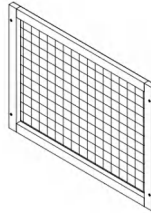
C

Back panel-Down
1 PC



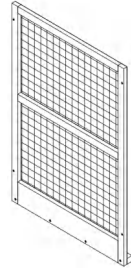
D

Right & Left panel-Upper
2 PCS



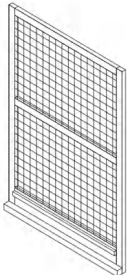
E

Left panel-Down
1 PC



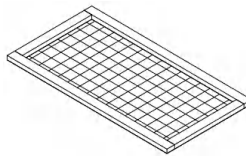
F

Right panel-Down
1 PC



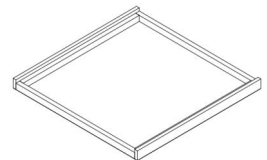
G

Bottom wire netting
2PCS



H

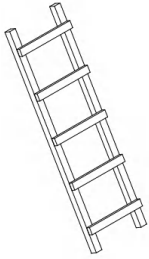
Tray
1 PC



I

PARTS

Ramp
1 PC



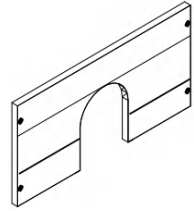
J

Standing bar
2 PCS



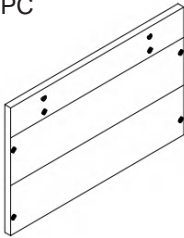
K

Front panel of small house
1 PC



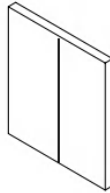
L

Back panel of small house
1 PC



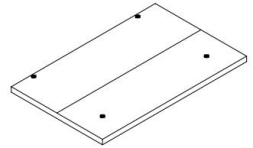
M

Right & Left panel of small house
2PCS



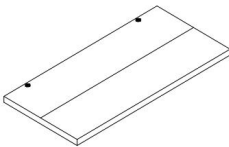
N

Bottom panel of small house
1 PC



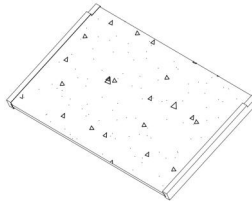
O

Top panel of small house
1 PC



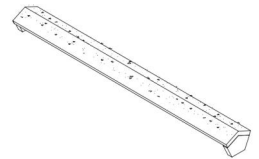
P

Roof
2 PCS



Q

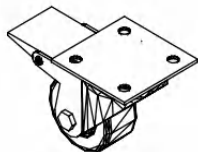
Roof cap
1 PC



R

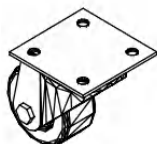
PARTS

Casters with brakes
2 PCS



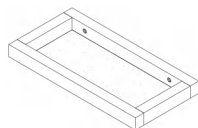
S

Casters without
2 PCS



T

Wooden feeder
1 PC

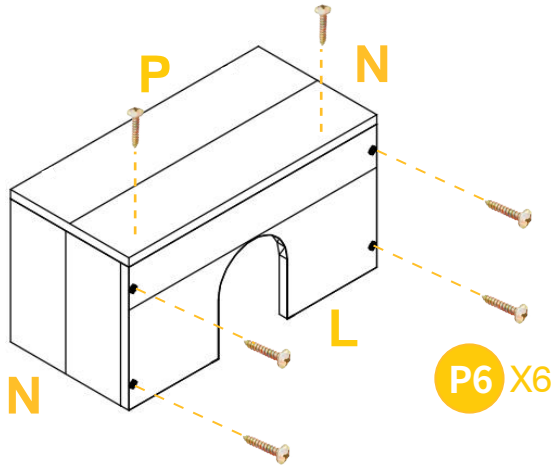


U

PRODUCT ASSEMBLY //

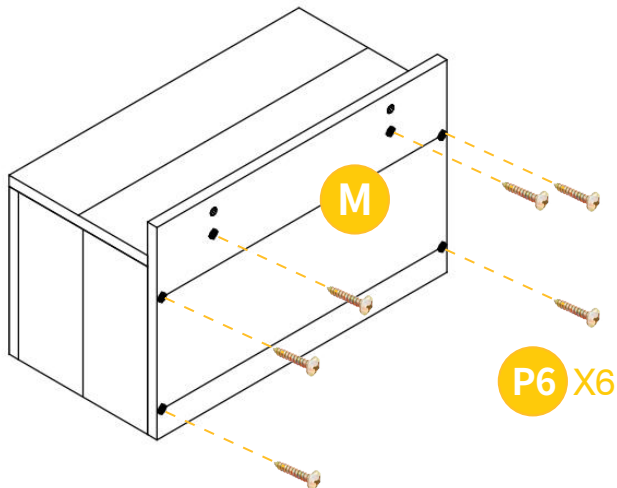
01

Attach the small house! Attach the part P, L, 2x N by 6X P6 screws.



02

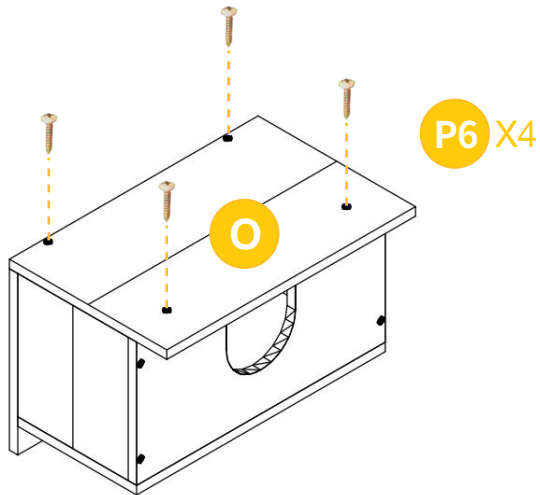
Attach the back panel of small house part M by 6XP6 screws.



PRODUCT ASSEMBLY //

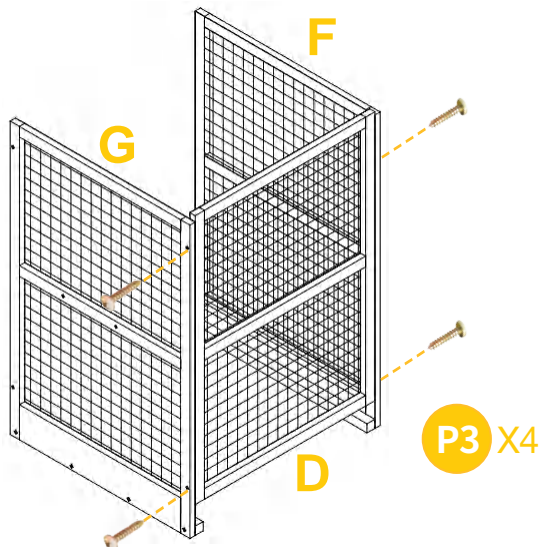
03

Attach the Bottom panel of small house part O by 4XP6 screws.



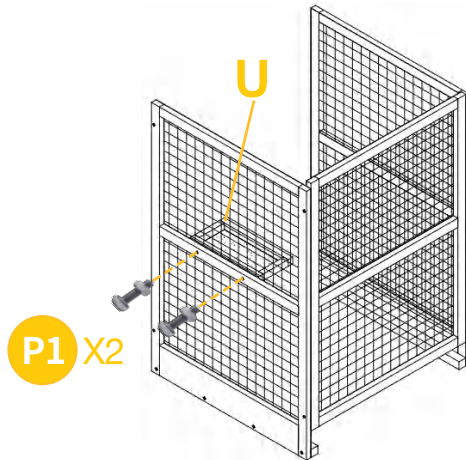
04

Attach the hutch! Attach the Back panel-Down part D, to the side parts F & G by 4X P3 screws.

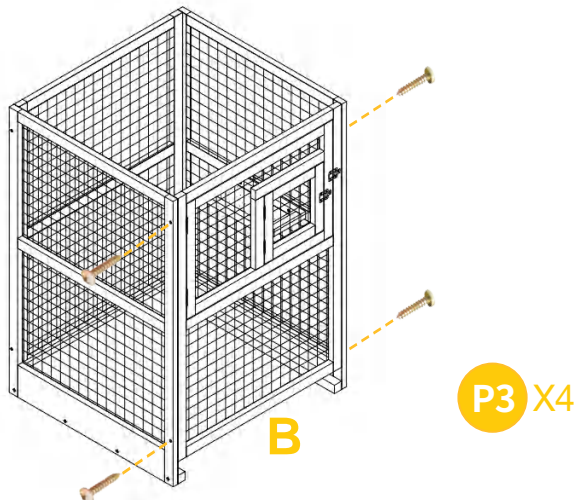


PRODUCT ASSEMBLY //

05 Attach the Wooden feeder part U by 2XP1 screws.

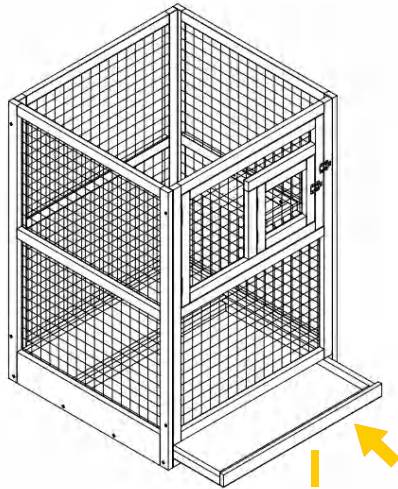


06 Attach the Front panel-Down part B by 4X P3 screws.

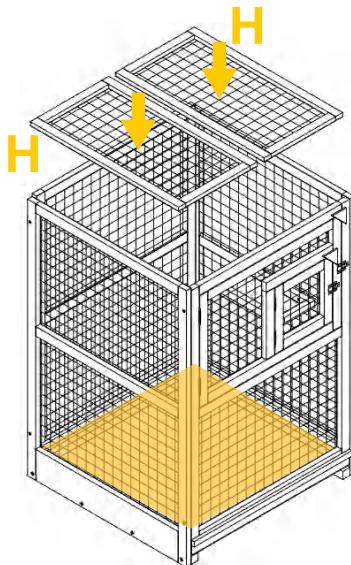


PRODUCT ASSEMBLY //

07 Slide in the tray part I.

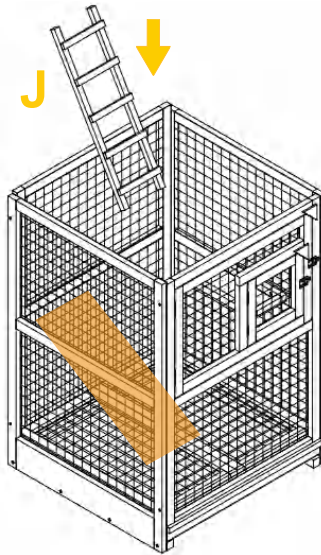


08 Put the bottom wire netting 2pcs of part H inside the cage as show on the picture.

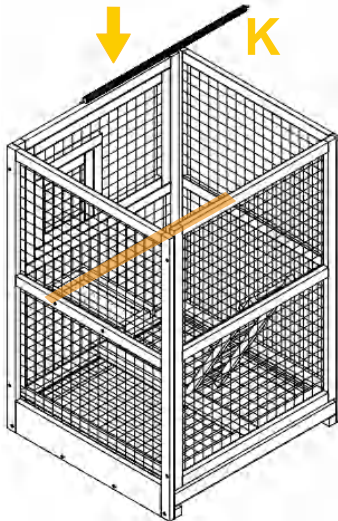


PRODUCT ASSEMBLY //

09 Put the ramp part J into the cage as show on the picture.

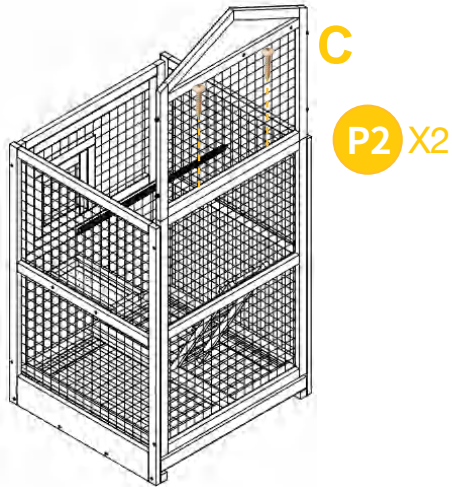


10 Put the one of standing bar par K into the wire(in any place you want)

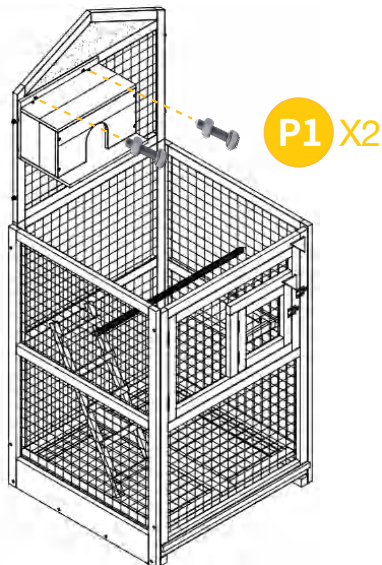


PRODUCT ASSEMBLY //

- 11** Attach the Back panel Upper part C by 2X P2 screws.

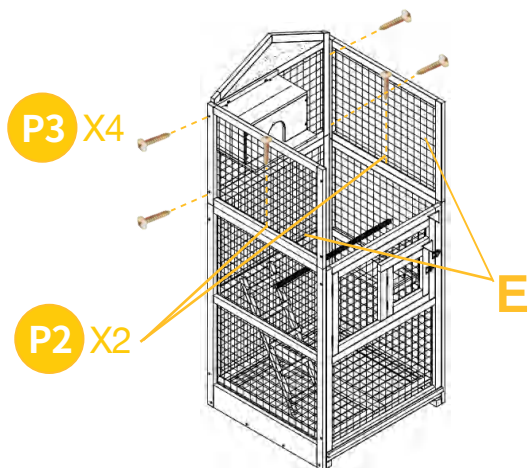


- 12** Attach the small house to the upper left corner of back panel Part C by 2X P1 screws.

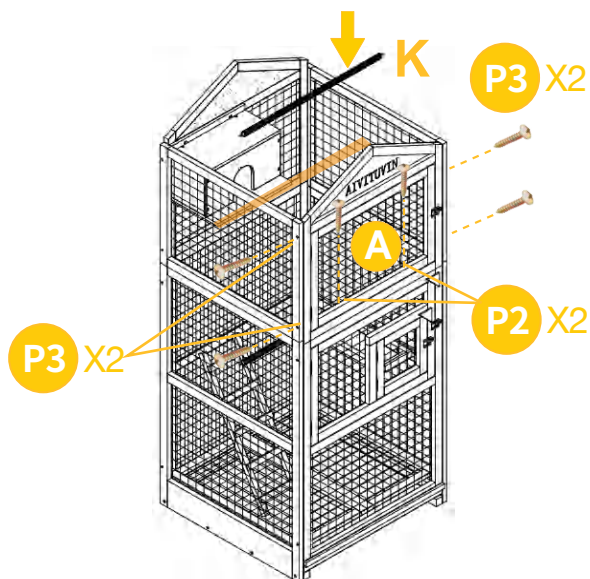


PRODUCT ASSEMBLY //

- 13** Attach the Right & Left panel-Upper part E to back panel by 4 X P3 screws. Down to the side panels by 2 X P2 screws.

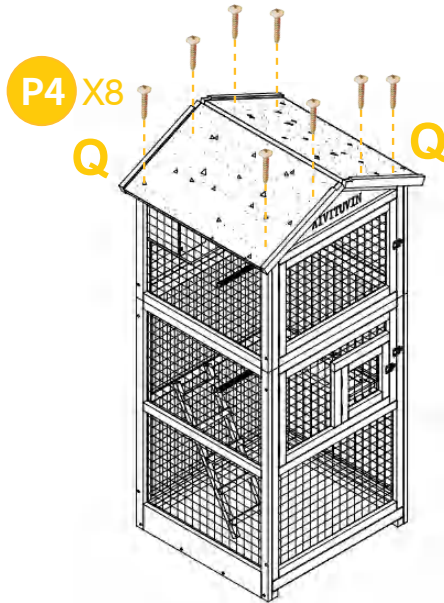


- 14** Attach the Front panel-Upper part A to side panels by 4 X P3 screws, Down to the Front panel-Down by 2 X P2 screw. Put the other standing bar par K into the wire (in any place you want).

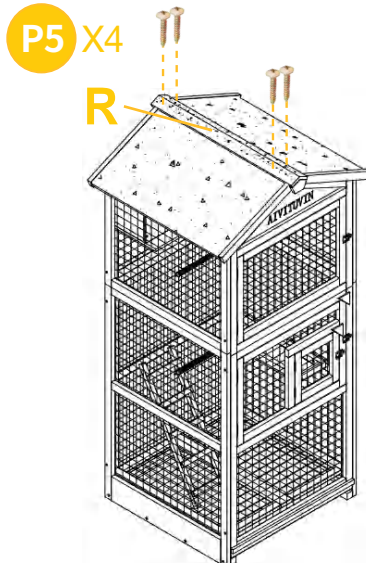


PRODUCT ASSEMBLY //

15 Attach the roof Part Q to the hutch by 8 X P4 screws

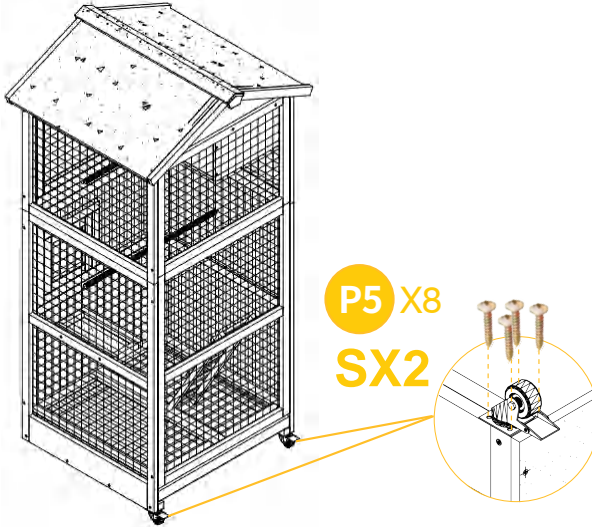


16 Attach the roof cap Part R by 4X P5 screws.

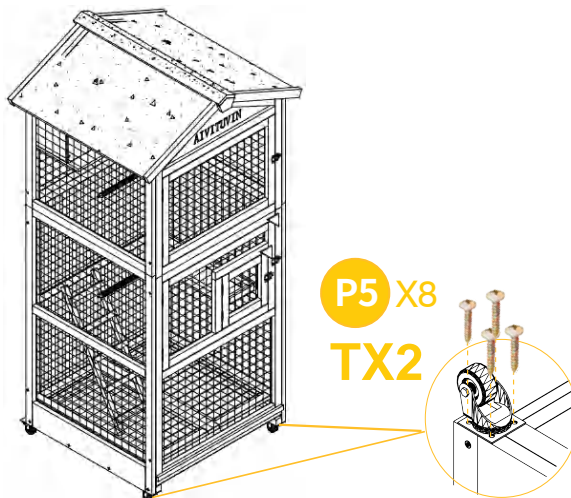


PRODUCT ASSEMBLY //

- 17** Screw 2pcs of Casters with brakes part S to the back 2 legs by 8 X P5 screws.



- 18** Screw 2pcs of Casters without brakes part T to the front 2 legs by 8 X P5 screws.



Finish



WARNING

Manufacturer and seller expressly disclaim any and all liability for personal injury, property damage or loss, whether direct, indirect, or incidental, resulting from the incorrect attachment, improper use, inadequate maintenance, or neglect of this product.