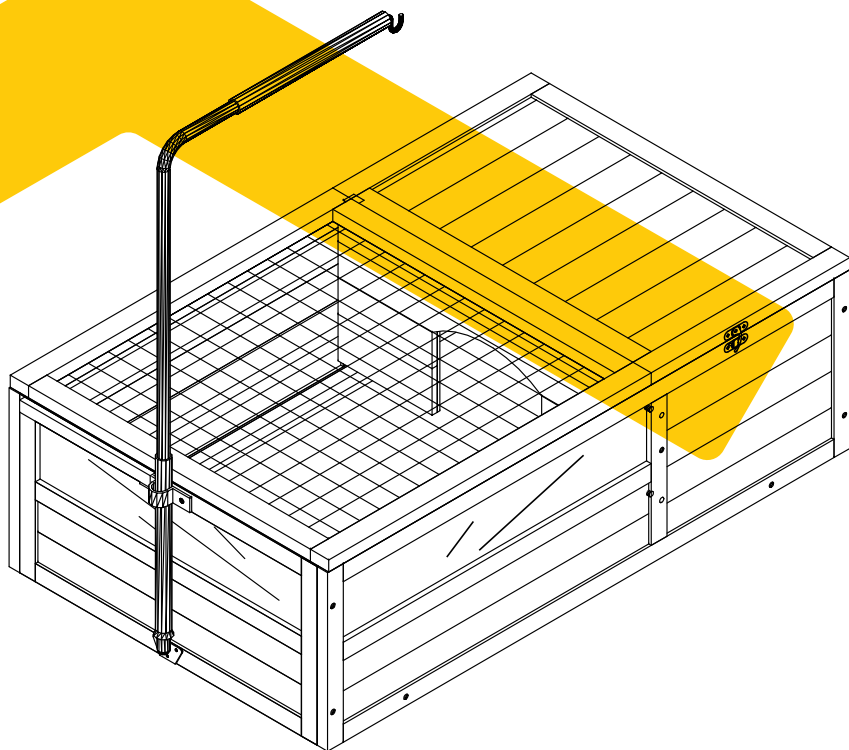


# INSTRUCTION MANUAL

AIR 21



aivituvin

[www.aivituvin.com](http://www.aivituvin.com)





## NOTICE

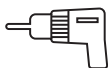
Please retain these instructions for future reference.

- Firmly secure all bolts,screws and knobs before use.
- Reconfirm that all bolts,screws,and knobs are secure every 90 days.
- Fasten screws loosely during initial assembly. Do not fully tighten screws until the item is completely assembled.
- Do not use or store this item in the proximity of open flame or flammable/combustible chemicals.
- Be aware that some parts are heavy and have sharp edges.
- Be aware that moving parts can injure,crush and cut.
- If any parts are missing,broken,damaged,or worn,stop using this product until repairs are made and/or factory replacement parts are installed.
- Do not use this item in a way inconsistent with the manufacturer' s instructions as this could void the product warranty.

## TOOLS REQUIRED //



PHILLIPS  
SCREWDRIVER



DRILL  
(RECOMMENDED)



2PERSON  
ASSEMBLY



APPROXIMATELY  
45MIN. ASSEMBLY

## HARDWARE //

M3.5x50mm SCREW  
4PCS+1 spare



P1

M3.5x40mm SCREW  
10PCS+1 spare



P2

M3.0x16mm SCREW  
25PCS+1 spare



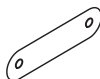
P3

Latch  
2PCS



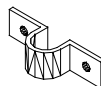
P4

2PCS



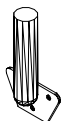
P5

Plastic botton  
1PC



P6

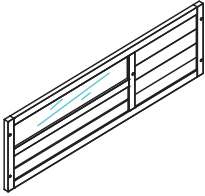
Plastic pipe  
1PC



P7

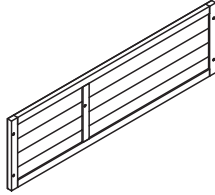
# PARTS //

Front panel  
1PC



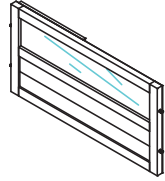
**A**

Back panel  
1PC



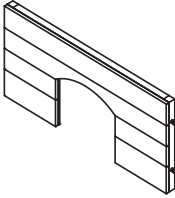
**B**

Left panel  
1PC



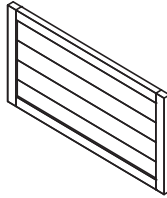
**C**

Divider  
1PC



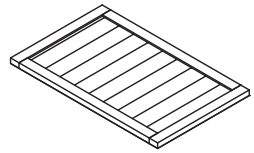
**D**

Right panel  
1PC



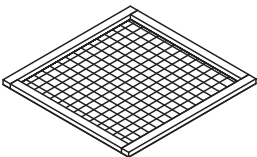
**E**

Wooden roof  
1PC



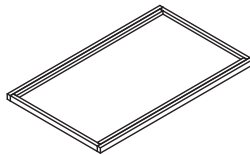
**F**

Wire roof  
1PC



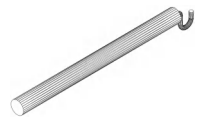
**G**

Tray  
1PC



**H**

Metal lamp tube  
1PC



**I**

# PARTS //

Metal lamp tube  
1PC



**J**

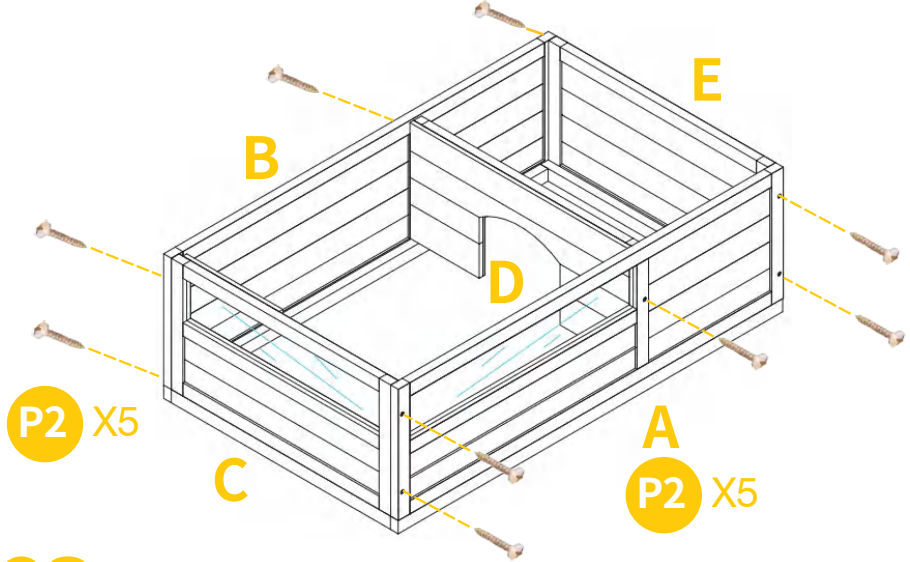
Metal lamp tube  
1PC



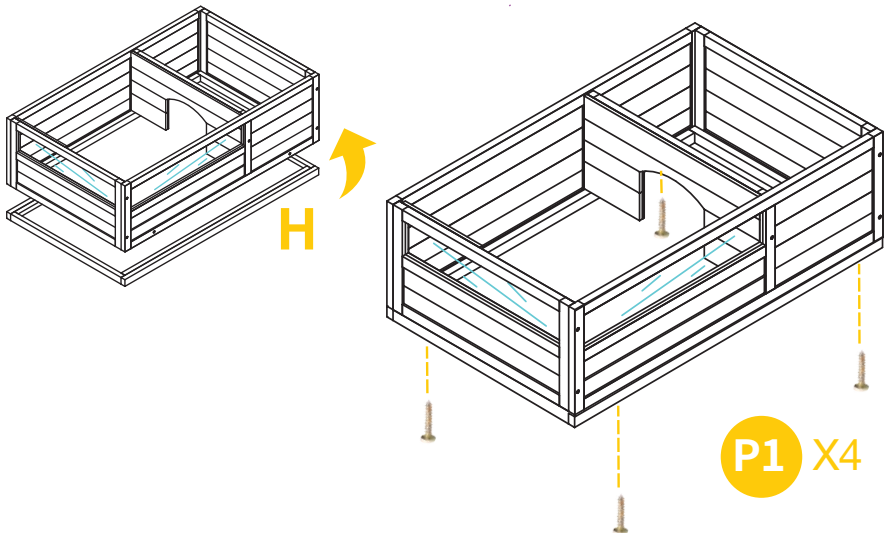
**K**

# PRODUCT ASSEMBLY //

- 01** ① Attach C , D , E to the front panel A by 5xP2 screws.  
② Attach C , D , E to the back panel B by 5xP2 screws.  
Ensure all corners line up before screwing together.

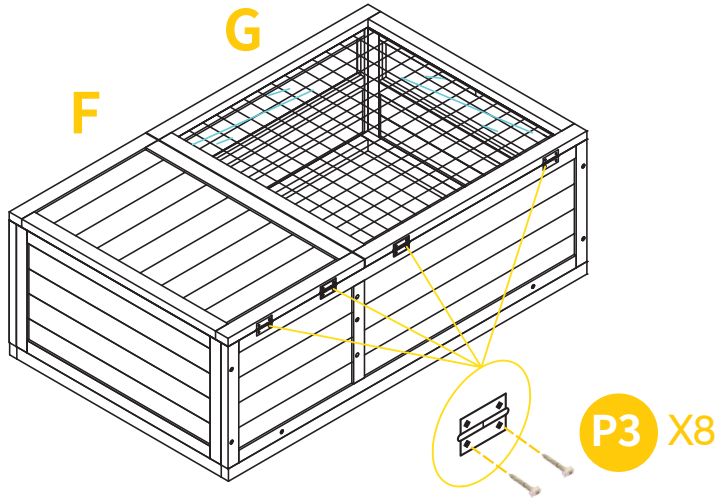


- 02** ① Put in the "H" from the bottom.  
② Screw "H" to the house from the bottom up by 4xP1 screws.

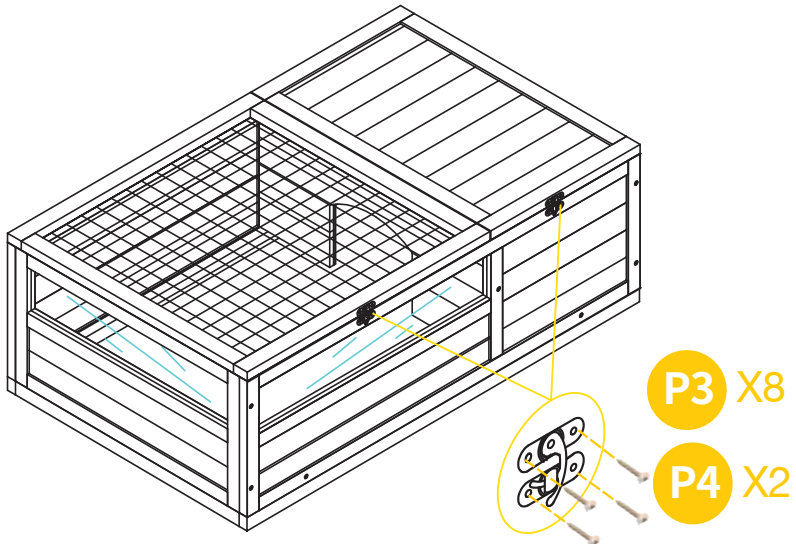


## PRODUCT ASSEMBLY //

- 03** ① Screw F, G to the house at the hinges by 8xP3 screws.  
② Ensure F and G are line up before screwing.



- 04** Complete the roof by screwing the latch P4 by 8xP3 screws.

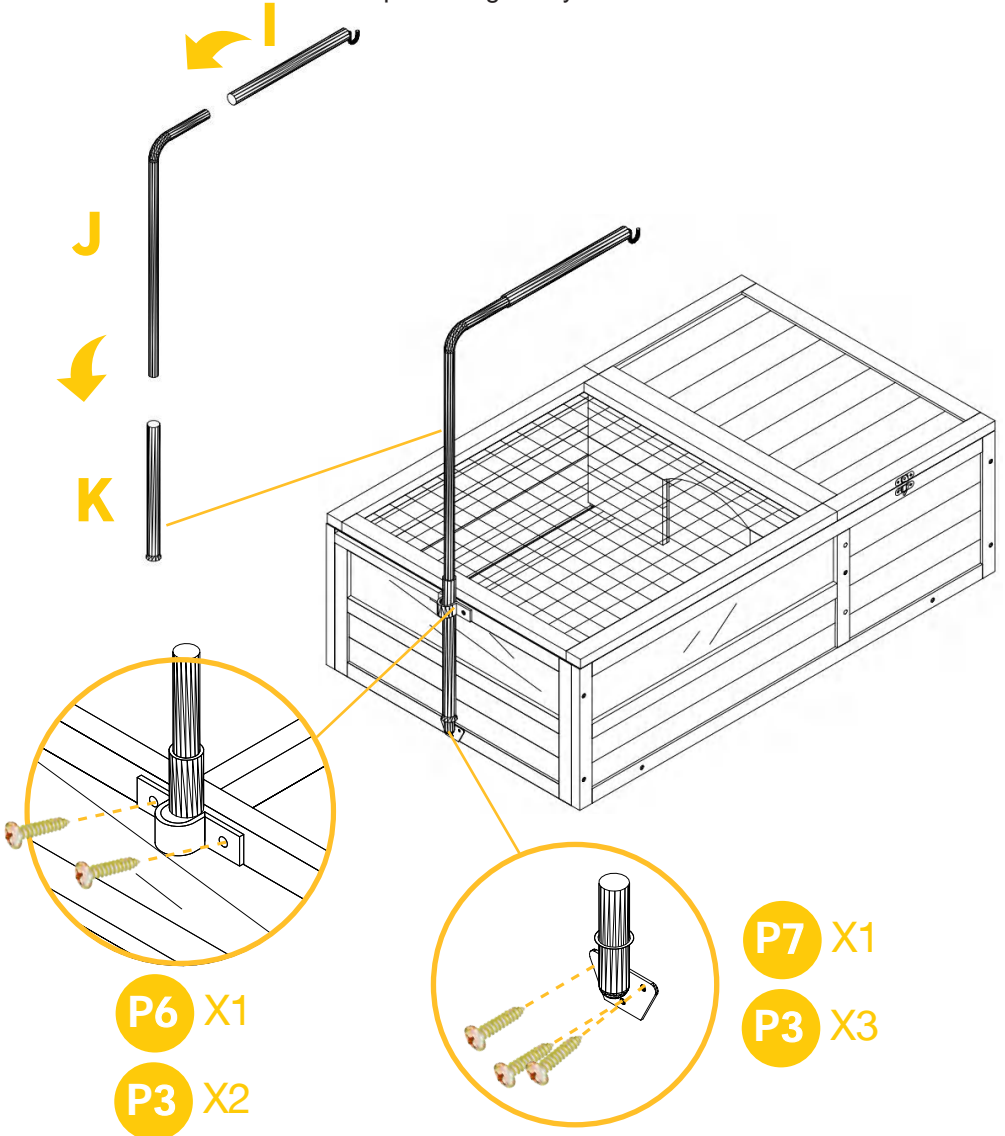




## PRODUCT ASSEMBLY //

05

Rota the metal lamp holder firstly.  
Screw it to the cage using the P6 by 2xP3 on the upper part ; then  
screw the lower part using P7 by 3xP3.

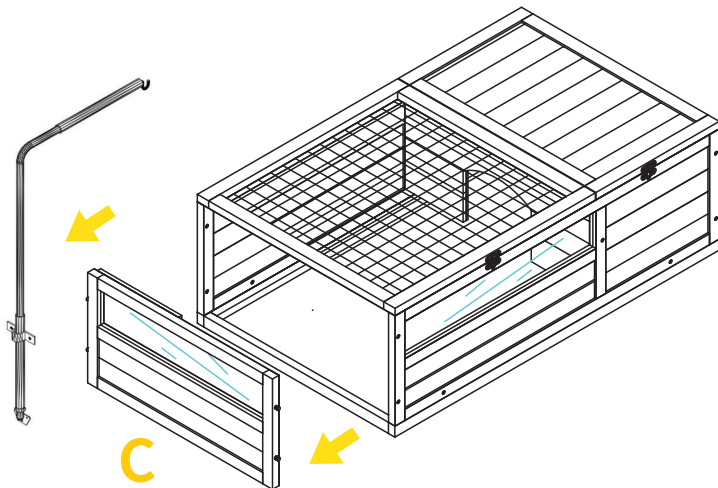


## PRODUCT ASSEMBLY //

06

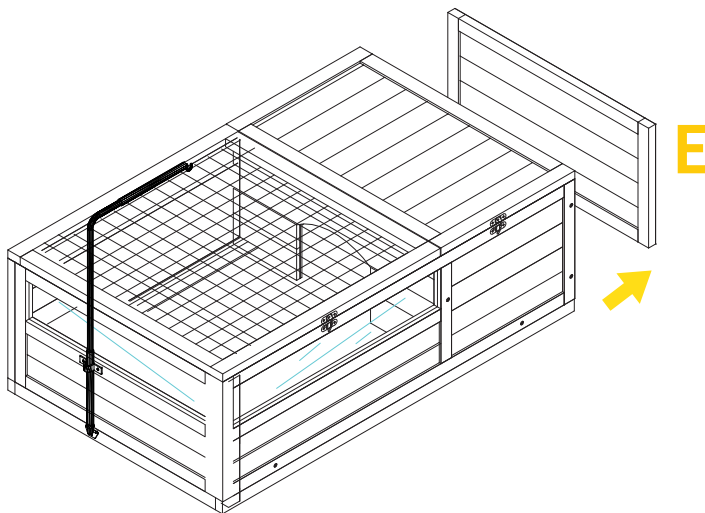
- ① Pls ignore the following for only one tortoise house owner!
- ② The below steps are the assembly for the 2nd tortoise house if you buying 2 houses.

Take out the side panel Part C from one of the tortoise house.  
Take off the lamp holder and assemble it on the right side.



07

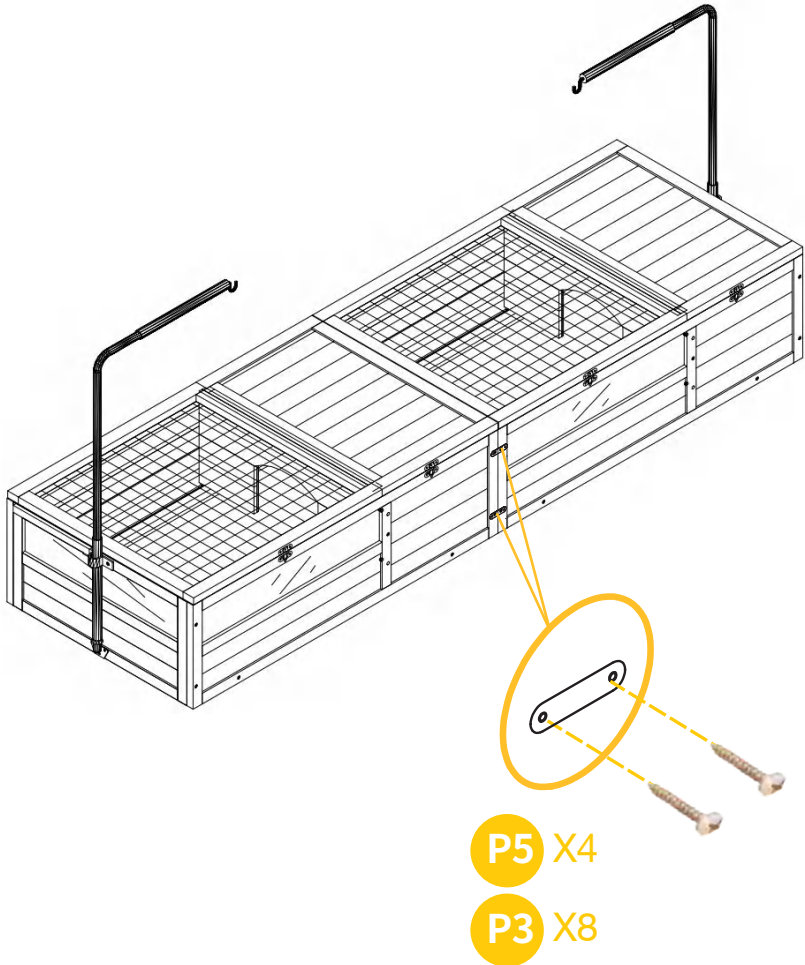
Take out the side panel Part E from the other tortoise house.



## PRODUCT ASSEMBLY //

08

Screw the connect pieces P5 by 4xP3 screws.  
Repeat on the other side.





**WARNING**

Manufacturer and seller expressly disclaim any and all liability for personal injury, property damage or loss, whether direct, indirect, or incidental, resulting from the incorrect attachment, improper use, inadequate maintenance, or neglect of this product.