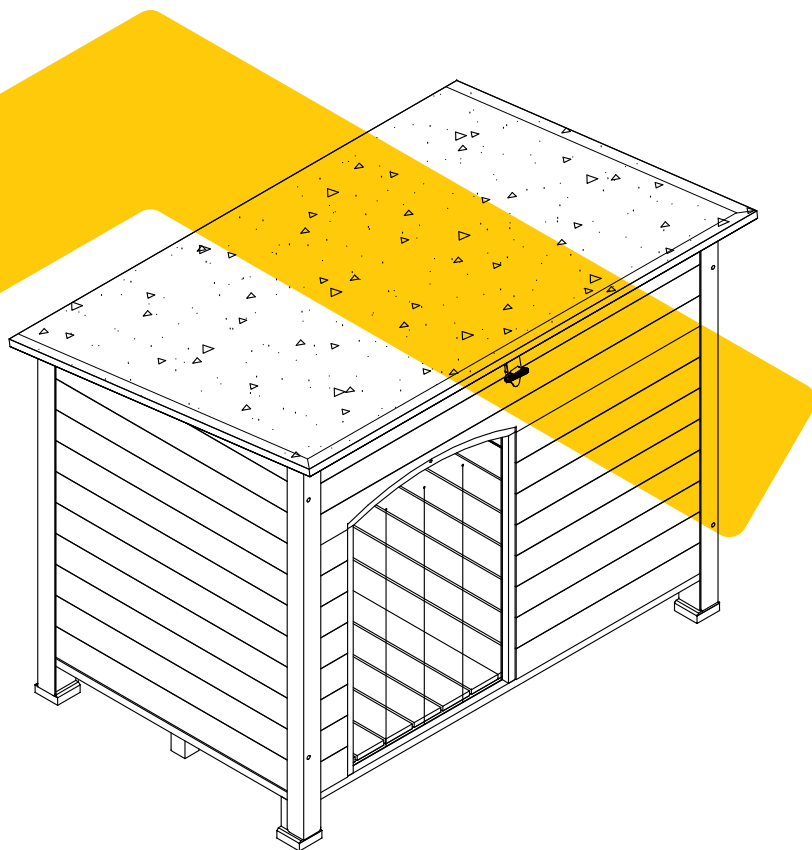


INSTRUCTION MANUAL

AIR 75

AIR 76



The logo for aivituvin, featuring a stylized house icon above the brand name.

www.aivituvin.com



NOTICE

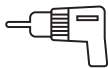
Please retain these instructions for future reference.

- Firmly secure all bolts,screws and knobs before use.
- Reconfirm that all bolts,screws,and knobs are secure every 90 days.
- Fasten screws loosely during initial assembly. Do not fully tighten screws until the item is completely assembled.
- Do not use or store this item in the proximity of open flame or flammable/combustible chemicals.
- Be aware that some parts are heavy and have sharp edges.
- Be aware that moving parts can injure,crush and cut.
- If any parts are missing,broken,damaged,or worn,stop using this product until repairs are made and/or factory replacement parts are installed.
- Do not use this item in a way inconsistent with the manufacturer's instructions as this could void the product warranty.

TOOLS REQUIRED //



PHILLIPS
SCREWDRIVER



DRILL
(RECOMMENDED)



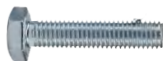
2PERSON
ASSEMBLY



APPROXIMATELY
30MIN. ASSEMBLY

HARDWARE //

M6.0x30mm SCREW
8PCS+1spare



P1

M3.5x45mm SCREW
6PCS+1spare



P2

M3.0x18mm SCREW
10PCS+1spare



P3

M3.0x14mm SCREW
10PCS+1spare



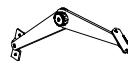
P4

M3.0x12mm SCREW
4PCS+1spare



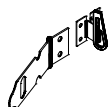
P5

Hinge
2PCS



P6

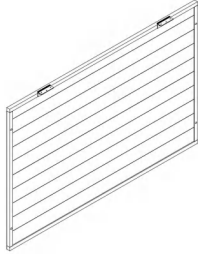
Lock
1PC



P7

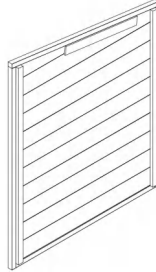
PARTS

Back panel
1PC



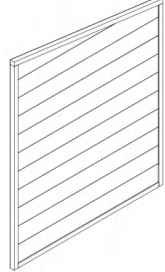
A

Left side panel
1PC



B

Right side panel
1PC



C

Back metal bar-left
1PC



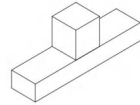
D

Back metal bar-right
1PC



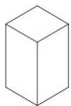
E

Bottom pad
1PC



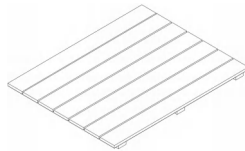
F

Bottom pad
2PCS



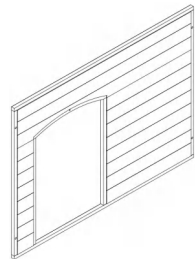
G

Bottom floor
2PCS



H

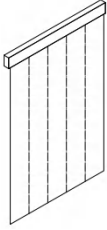
Front panel
1PC



I

PARTS

PVC curtain
1PC



J

Front metal bar-left
1PC



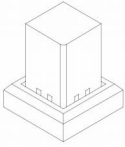
K

Front metal bar-right
1PC



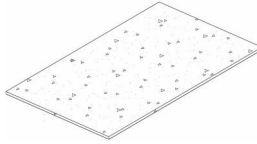
L

Plastic feet
4PCS



M

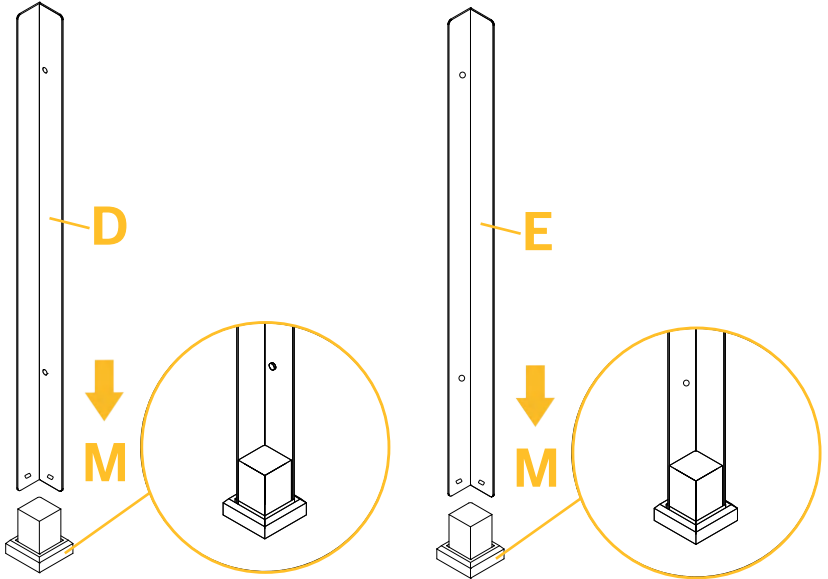
Roof
1PC



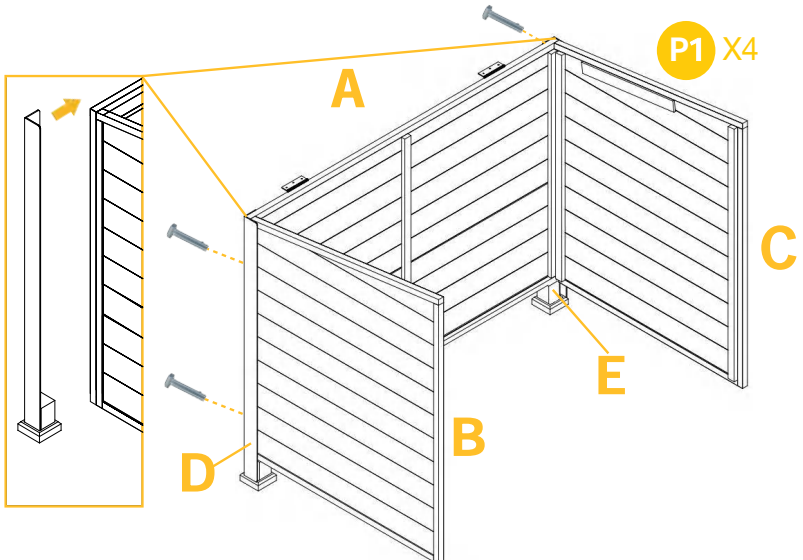
N

PRODUCT ASSEMBLY //

- 01** Attach the plastic feet Part M to the metal bars Part D & E with the buckle.



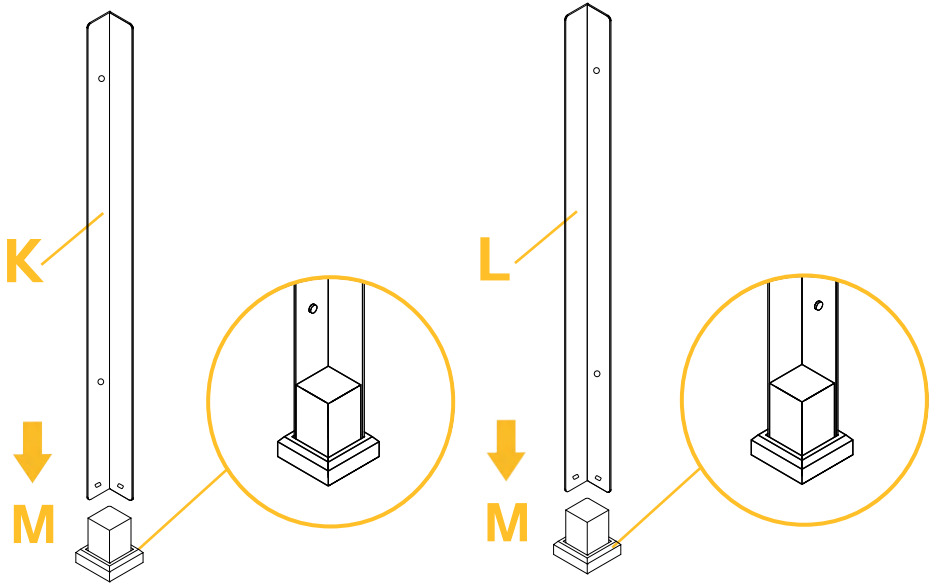
- 02** Attach the panel Part A, B, C with the metal bars Part D & E by 4xP1 screws.



PRODUCT ASSEMBLY //

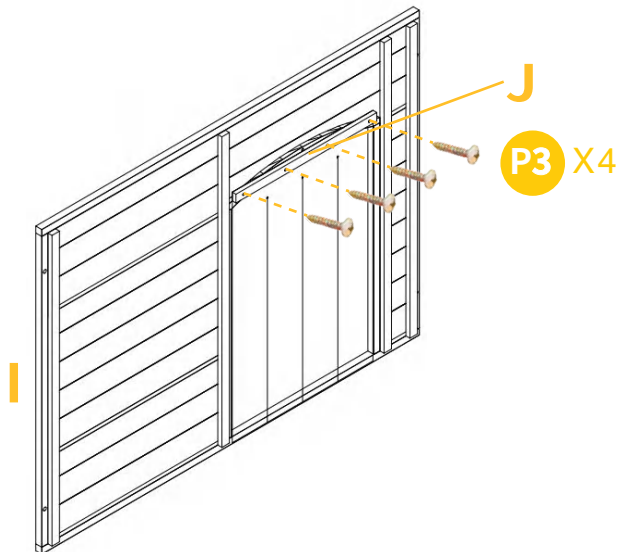
03

Attach the plastic feet Part M to the metal bars Part K & L with the buckle.



04

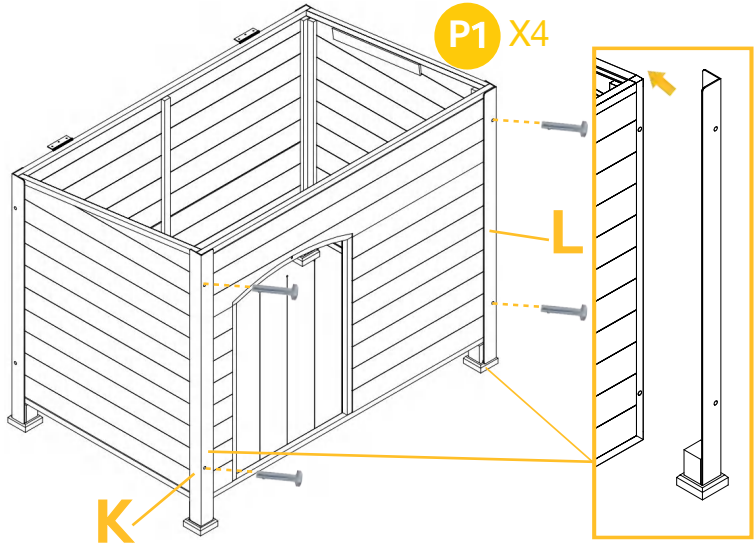
Screw the curtain Part J to the INSIDE of Part I by 4xP3 screws.



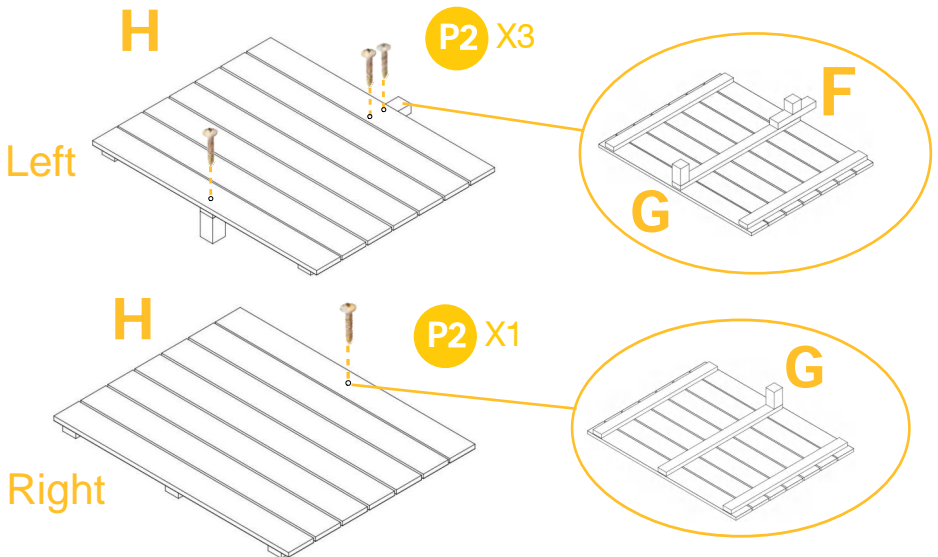
05

PRODUCT ASSEMBLY

05 Attach the Part I to the house with the metal bars Part K & L by 4XP1 screws.

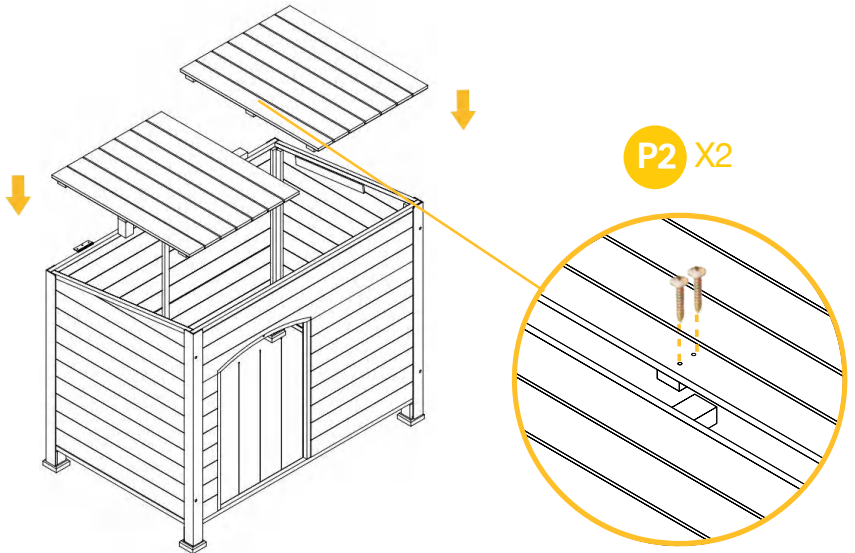


06 Attach the bottom pad Part G & F to the side of bottom floor Part H by 3XP2 screws.
Attach the bottom pad Part G to the side of bottom floor Part H by 1XP2 screws

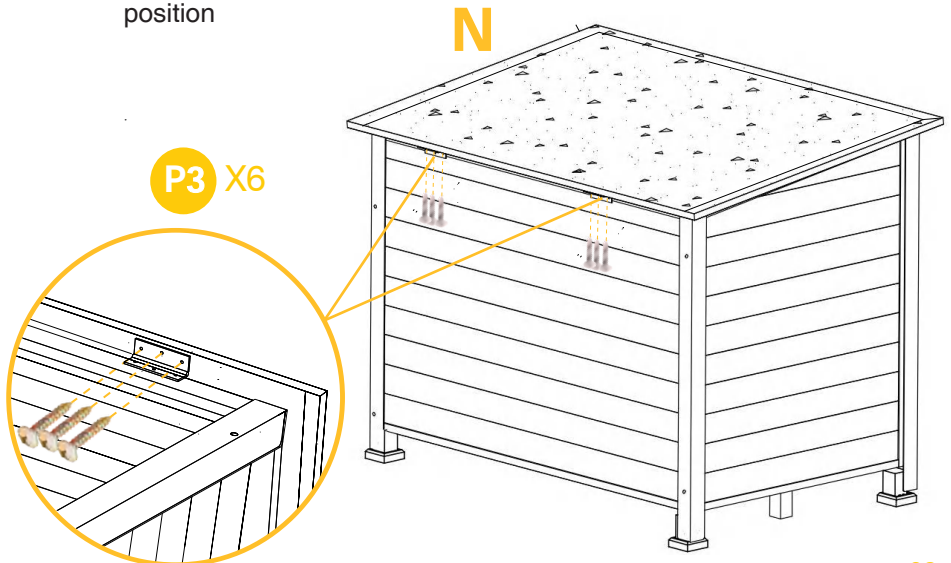


PRODUCT ASSEMBLY //

- 07** Put down the left bottom floor first, and then put down the right bottom floor, finally connect the bottom floor with bottom pad Part F by 2XP2 screws.

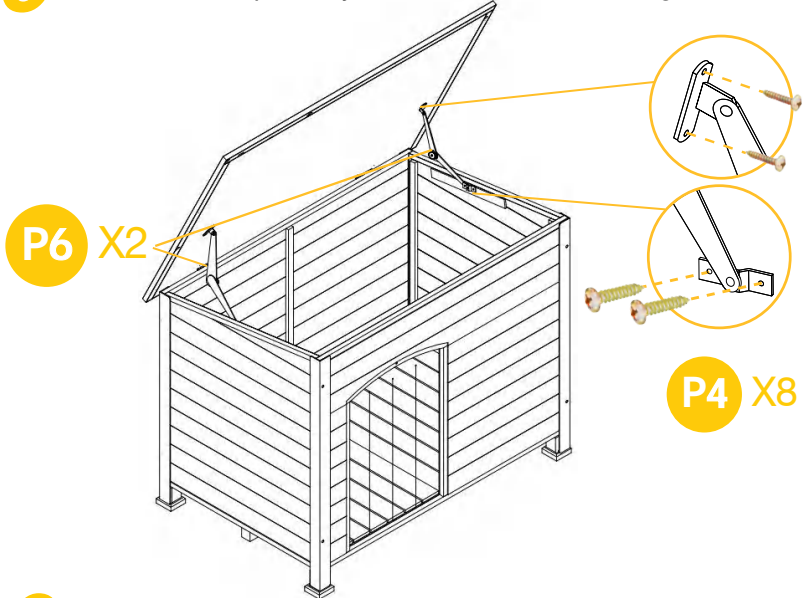


- 08** Screw the roof Part N on asphalt part from bottom by 6xP3 screws. Notice: The roof edges of back are relatively flat, pls pay attention the position

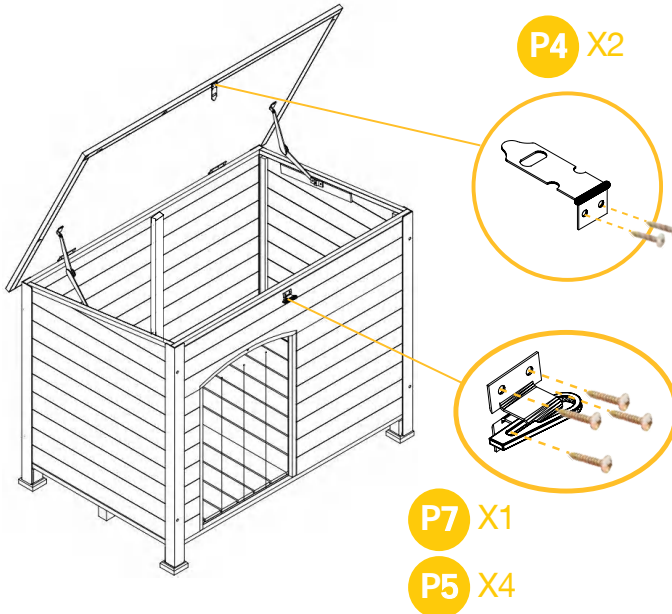


PRODUCT ASSEMBLY //

- 09** Screw the roof hinge P6, one side to the roof by 2xP4 screws, the other side to the side panel by 2xP4 screws in left and right sides.



- 10** Screw the lock P7, screw one side to roof by 2xP4 screws, screw the other to front panel by 4xP5 screws.



11 Complete.





WARNING

Manufacturer and seller expressly disclaim any and all liability for personal injury, property damage or loss, whether direct, indirect, or incidental, resulting from the incorrect attachment, improper use, inadequate maintenance, or neglect of this product.